

JOLIET JUNIOR COLLEGE

ROMEDEVILLE CAMPUS EXPANSION

1125 135th ST. ROMEDEVILLE, IL 60446

ISSUED FOR CONSTRUCTION

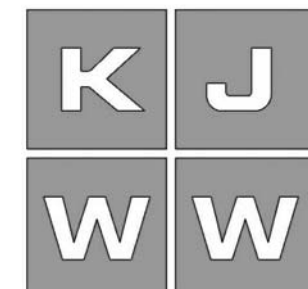
9/21/15

DKA PROJECT NO: 14-005



ARCHITECT:

DEMONICA KEMPER ARCHITECTS
125 N. HALSTED ST., SUITE 301
CHICAGO, IL 60661
T: 312.496.0000 F: 312.496.0001



STRUCTURAL AND MEP/FP ENGINEERING

KJWW ENGINEERING CONSULTANTS
1100 WARRENVILLE RD. SUITE 400W
NAPERVILLE, IL 60563
P: 630.527.2320



FOOD SERVICE CONSULTANT

CINI LITTLE INTERNATIONAL, INC.
200 E. HOWARD AVE. SUITE 212
DES PLAINES, IL 60018
P: 847.298.0088



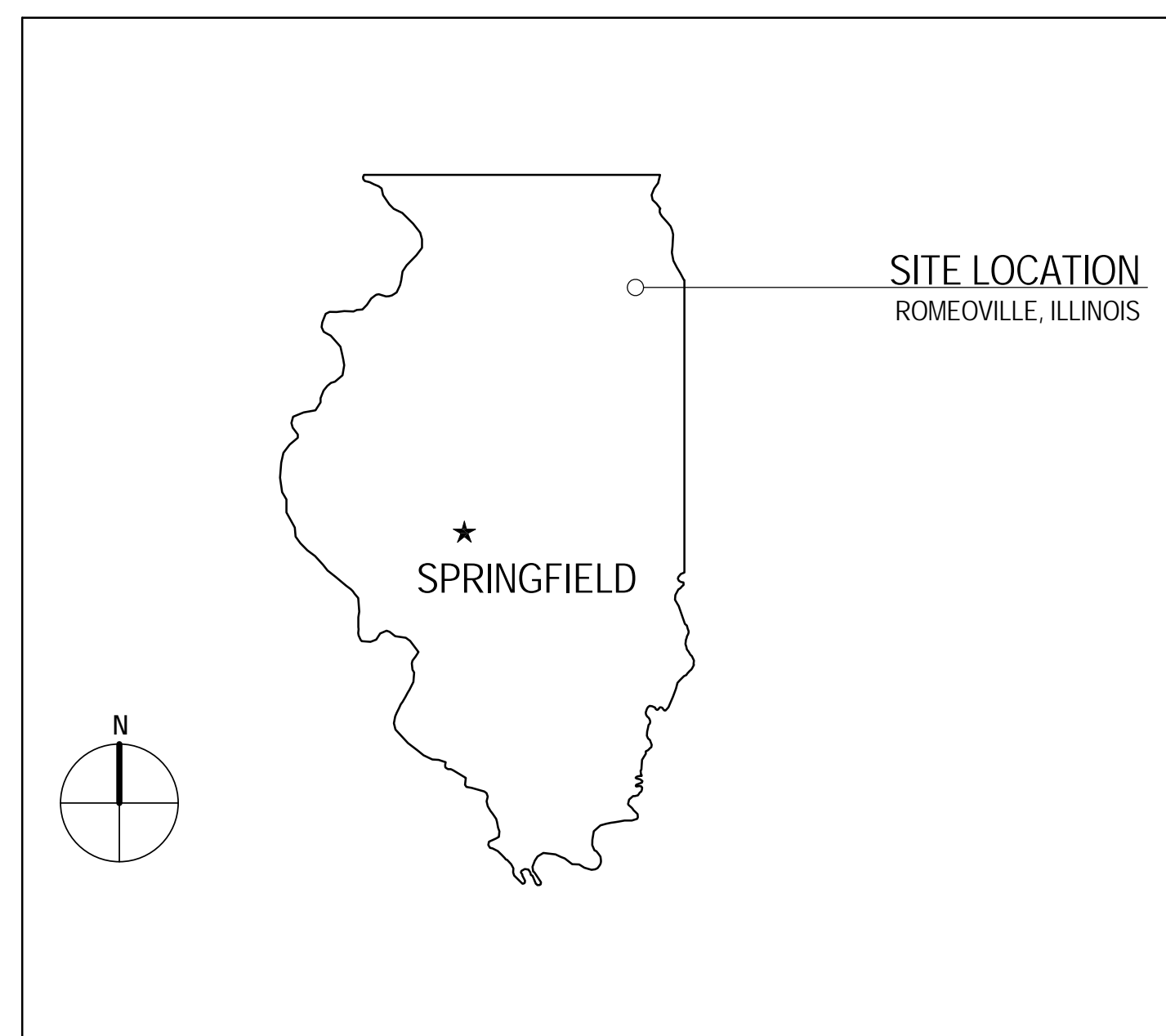
CONSTRUCTION MANAGER

JOLIET JUNIOR COLLEGE
1215 HOUBOLT RD.
JOLIET, IL 60431
P: 815.280.2212

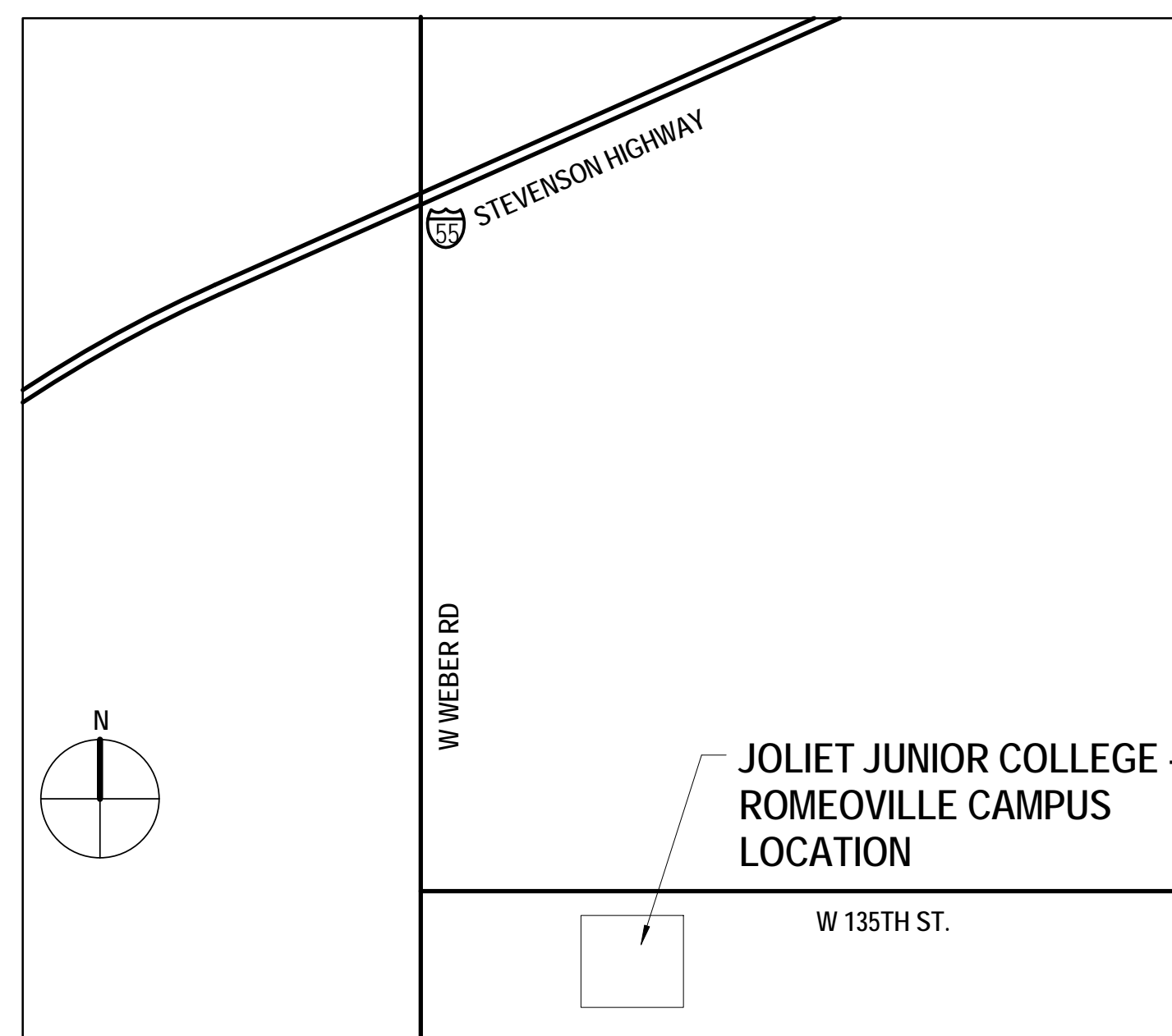
ABBREVIATIONS

AP ACCESS PANEL	HDW HARDWARE	TEL TELEPHONE
ACOUST ACUSTICAL	HDWD HARDWOOD	TV TELEVISION
ACT ACUSTICAL CEILING TILE	HDR HEADER	TRZ TERRAZZO
ADJ ADJACENT	HTG HEATING	TB TILE BASE
A.F.F. ABOVE FINISH FLOOR	HVAC HEATING, VENTILATING, AIR CONDITIONING	THK THICK
AGGR AGGREGATE	HT HEIGHT	T.O.C. TOP OF CURB
AC AIR CONDITIONING	HC HOLLOW CORE	TOP TOP OF PAVEMENT
ALT ALTERNATE	HM HOLLOW METAL	TOW TOP OF WALL
ALUM ALUMINUM	HMF HOLLOW METAL FRAME	T&G TONGUE AND GROOVE
L ANGLE	HORZ HORIZONTAL	TYP TYPICAL
APPD APPROVED	HB HOSE BIB	
APPROX APPROXIMATE	HR HOUR	
ARCH ARCHITECTURAL OR ARCHITECT		UNF UNFINISHED
AD AREA DRAIN		U.N.O. UNLESS NOTED OTHERWISE
ASB ASBESTOS	INC INCLUDE	UR URINAL
ASPH ASPHALT	I.D. INSIDE DIAMETER	
AV AUDIO VISUAL	INSUL INSULATION	
	INTR INTERIOR	
	INV INVERT	
BSMT BASEMENT	JAN JANITOR	VB VINYL BASE
BRG BEARING	JT JOINT	VERT VERTICAL
BM BEAM	KIT KITCHEN	VEST VESTIBULE
BTW BETWEEN	LAM LAMINATE	VCT VINYL COMPOSITION TILE
BTUM BITUMINOUS	LAV LAVATORY	VW VINYL WALLCOVERING
BLK BLOCK	LH LEFT HAND	
BLKG BLOCKING	LGTH LENGTH	WSCOT WAINSCOT
BD BOARD	LT LIGHT	WC WATER CLOSET
BRK BRICK	LWC LIGHT WEIGHT CONCRETE	WLK WALK-OFF MAT
BLDG BUILDING	LTL LINTEL	WR WATER RESISTANT
	LN LINOLEUM	WT WALL TILE OR WEIGHT
	LL LIVE LOAD	W WEST
		W WIDE FLANGE "W16x21"
CAB CABINET		W WIDTH
CIP CAST IN PLACE		W/O WITHOUT
CPCC CAST IN PLACE CONCRETE		WD WOOD
CI CURB INLET	MH MANHOLE	WDP WOOD PANEL
CB CATCH BASIN	MFR MANUFACTURER	X EXISTING
CLG CEILING	MAS MASONRY	
CTR CENTER	MO MASONRY OPENING	
CJ CONTROL JOINT	MTL METAL	
CL CENTER LINE	MAX MAXIMUM	
CPT CARPET	MECH MECHANICAL	
CT CERAMIC TILE	MTC MECHANICAL TRADES CONTRACTOR	
CLR CLEAR	MEMB MEMBRANE	
CLO CLOSET	MT MARBLE TILE	
COL COLUMN	MIN MINIMUM	
CONC CONCRETE	MISC MISCELLANEOUS	
CONN CONNECTION	MTD MOUNDED	
CONST CONSTRUCTION	MTG MOUNTING	
CM CONSTRUCTION MANAGER	MUL MULLION	
CONT CONTINUOUS OR CONTINUE		
CONTR CONTRACTOR	NOM NOMINAL	
CK CORK	NORTH	
CORR CORRIDOR	N.I.C. NOT IN CONTRACT	
CNSK COUNTERSUNK	N.T.S. NOT TO SCALE	
CRS COURSE	NO OR # NUMBER	
DEMO DEMOLISH OR DEMOLITION	OBS OBSOLETE	
DEPT DEPARTMENT	OFF OFFICE	
DL DEAD LOAD	O.C. ON CENTER	
DIA DIAMETER	OF CI OWNER FURNISHED, CONTRACTOR INSTALLED	
DIM DIMENSION	OF OI OWNER FURNISHED, OWNER INSTALLED	
DISP DISPENSER	OPNG OPENING	
DIV DIVISION	OPP OPPOSITE	
DR DOOR	OSB ORIENTED STRAND BOARD	
DO DOOR OPENING	O.D. OUTSIDE DIAMETER	
DBL DOUBLE	OA OVERALL	
DS DOWNSPOUT	OFD OVERFLOW DRAIN	
DRW DRAWING		
DWG DRAWING	PT PAINT	
DF DRINKING FOUNTAIN	PTD PAINTED	
DS DRY STANDPIPE	PR PAIR	
DWT DETECTABLE WARNING TILE	PNL PANEL	
	PBD PARTICLE BOARD	
	PTN PARTITION	
E EAST	PLAS PLASTIC	
EA EACH	PLAM PLASTIC LAMINATE	
EIFS EXTERIOR INSULATION FINISH SYSTEM	PL PLATE	
ELEC ELECTRICAL	PTC PLUMBING TRADES CONTRACTOR	
ETC ELECTRICAL TRADES CONTRACTOR	PLYWD PLYWOOD	
EWG ELECTRICAL WATER COOLER	PSI POUNDS PER SQUARE INCH	
EP ELECTRICAL PANEL BOARD	PC PRECAST	
ELEV ELEVATION	PCC PRECAST CONCRETE	
ELEVTR ELEVATOR		
ENCL ENCLOSURE	QT QUARRY TILE	
EMER EMERGENCY	R RADIUS	
EP PT EPOXY PAINT	RWL RAIN WATER LEADER	
EPF EPOXY FLOORING	RFRG REFRIGERATOR	
EQ EQUAL	RGTR REGISTER	
EQPMT EQUIPMENT	REINF REINFORCED	
EXSTG EXISTING	REQD REQUIRED	
EXP EXPANSION	RES RESILIENT	
EXP JT EXPANSION JOINT	RA RETURN AIR	
EXPD EXPOSED	RAG RETURN AIR GRILLE	
EXTR EXTERIOR	RH RIGHT HAND	
	ROW RIGHT OF WAY	
	R RISER	
	RD ROOF DRAIN	
FOC FACE OF CONCRETE	RM ROOM	
FOF FACE OF FINISH	R.O. ROUGH OPENING	
FOS FACE OF STUD	RB RUBBER BASE	
FR FIBERGLASS REINFORCED PANEL		
FIN FINISH OR FINISHED	SECT SECTION	
FA FIRE ALARM	SK SINK	
FE FIRE EXTINGUISHER	SCHED SCHEDULE	
FEC FIRE EXTINGUISHER CABINET	SHTG SHEATHING	
FHC FIRE HOSE CABINET	SHT SHEET	
FRRF FIREPROOF	SV SHEET VINYL	
FB FLAT BAR STOCK	SHWR SHOWER	
FL FLOOR	SIM SIMILAR	
FD FLOOR DRAIN	SC SEALED CONCRETE	
FLUOR FLUORESCENT	SPM SINGLE PLY MEMBRANE	
FT FOOT OR FEET	S SOUTH	
FTG FOOTING	SFRM SPRAY APPLIED FIRE RESISTIVE MATERIAL	
FDN FOUNDATION	SPEC SPECIFICATION	
FRM FRAME	SO SQUARE	
FRMG FRAMING	S.S. STAINLESS STEEL	
FS FULL SIZE	STD STANDARD	
FURR FURRING	STA STATION	
FUTR FUTURE	STL STEEL	
FW FABRIC WALLCOVERING	STOR STORAGE	
	STRUCT STRUCTURE OR STRUCTURAL	
GA GAUGE	SUSP SUSPENDED	
GALV GALVANIZED	SAT SUSPENDED ACUSTICAL TILE	
GEN GENERAL	SYM SYMMETRICAL	
GC GENERAL CONTRACTOR		
GTC GENERAL TRADES CONTRACTOR		
GL GLASS OR GLAZING		
GD GRADE		
GND GROUND		
GYP BD GYPSUM BOARD		

STATE LOCATION MAP



AREA MAP



SHEET INDEX

A102 LEVEL 2 FURNITURE PLAN (FOR REFERENCE ONLY)	FP00 FIRE PROTECTION COVER SHEET
A109 SHEET INDEX, ABBREVIATIONS, SYMBOLS & NOTES	FP10 LEVEL 1 PLAN - FIRE PROTECTION
A010 CODE PLANS	FP20 LEVEL 2 PLAN - FIRE PROTECTION
A101 OVERALL PLAN - LEVEL 1	FP200 FIRE PROTECTION RISER DIAGRAM & MATERIAL LIST
A102 OVERALL PLAN - LEVEL 2	FP201 FIRE PROTECTION DIAGRAM
A103 ALTERNATE BID #1 - PLANS, RCP, AND DETAILS - NOT IN CONTRACT	E000 ELECTRICAL COVER SHEET
A104 ALTERNATE BID #1 - DETAILS - NOT IN CONTRACT	E001 ELECTRICAL SITE PLAN - CENTRAL UTILITY
A111 LEVEL 1 PLAN - WEST	E002 SITE LIGHTING ELECTRICAL
A112 LEVEL 1 PLAN - EAST	E003 SITE LIGHTING PHOTOMETRIC
A121 LEVEL 2 PLAN - WEST	E111 LEVEL 1 PLAN - WEST - LIGHTING
A122 LEVEL 2 PLAN - EAST	E112 LEVEL 1 PLAN - WEST - LIGHTING
A131 LEVEL 1 DIMENSION PLAN - WEST	E121 LEVEL 2 PLAN - WEST - LIGHTING
A132 LEVEL 1 DIMENSION PLAN - EAST	E122 LEVEL 2 PLAN - EAST - LIGHTING
A141 LEVEL 2 DIMENSION PLAN - WEST	E211 LEVEL 1 PLAN - WEST - POWER
A142 LEVEL 2 DIMENSION PLAN - EAST	E212 LEVEL 1 PLAN - EAST - POWER
A211 LEVEL 1 REFLECTED CEILING PLAN - WEST	E221 LEVEL 2 PLAN - WEST - POWER
A212 LEVEL 1 REFLECTED CEILING PLAN - EAST	E222 LEVEL 2 PLAN - EAST - POWER
A221 LEVEL 2 REFLECTED CEILING PLAN - WEST	E230 OVERALL ROOF PLAN - ELECTRICAL
A222 LEVEL 2 REFLECTED CEILING PLAN - EAST	E311 LEVEL 1 PLAN - WEST - SYSTEMS
A223 ENLARGED REFLECTED CEILING PLANS	E312 LEVEL 1 PLAN - EAST - SYSTEMS
A301 ROOF PLAN	E321 LEVEL 2 PLAN - WEST - SYSTEMS
A311 ROOF DETAILS	E322 LEVEL 2 PLAN - EAST - SYSTEMS
A312 ROOF DETAILS	E400 ELECTRICAL DETAILS
A313 ROOF DETAILS	E401 ELECTRICAL DETAILS
A314 ROOF DETAILS	E402 ELECTRICAL DETAILS
A315 MECHANICAL SCREEN DETAILS	E403 ELECTRICAL DETAILS
A401 EXTERIOR ELEVATIONS	E404 ELECTRICAL DETAILS
A402 EXTERIOR ELEVATIONS	E405 ELECTRICAL DETAILS
A403 EXTERIOR ELEVATIONS	E406 ELECTRICAL DETAILS
A404 EXTERIOR ELEVATIONS	E410 ELECTRICAL ENLARGED PLANS
A405 EXTERIOR ELEVATIONS	E500 ELECTRICAL SCHEDULES
A406 EXTERIOR ELEVATIONS	E501 ELECTRICAL SCHEDULES
A407 EXTERIOR ELEVATIONS	E502 ELECTRICAL SCHEDULES
A408 EXTERIOR ELEVATIONS	E510 ELECTRICAL PANEL SCHEDULES
A409 EXTERIOR ELEVATIONS	E511 ELECTRICAL PANEL SCHEDULES
A410 EXTERIOR ELEVATIONS	E512 ELECTRICAL PANEL SCHEDULES
A411 EXTERIOR ELEVATIONS	E600 ELECTRICAL ONE LINE DIAGRAM-NORMAL
A412 EXTERIOR ELEVATIONS	E601 ELECTRICAL ONE LINE DIAGRAM-EMERGENCY
A413 EXTERIOR ELEVATIONS	
A414 EXTERIOR ELEVATIONS	
A415 EXTERIOR ELEVATIONS	
A416 EXTERIOR ELEVATIONS	
A417 EXTERIOR ELEVATIONS	
A418 EXTERIOR ELEVATIONS	
A419 EXTERIOR ELEVATIONS	
A420 EXTERIOR ELEVATIONS	
A421 EXTERIOR ELEVATIONS	
A422 EXTERIOR ELEVATIONS	
A423 EXTERIOR ELEVATIONS	
A424 EXTERIOR ELEVATIONS	
A425 EXTERIOR ELEVATIONS	
A426 EXTERIOR ELEVATIONS	
A427 EXTERIOR ELEVATIONS	
A428 EXTERIOR ELEVATIONS	
A429 EXTERIOR ELEVATIONS	
A430 EXTERIOR ELEVATIONS	
A431 EXTERIOR ELEVATIONS	
A432 EXTERIOR ELEVATIONS	
A433 EXTERIOR ELEVATIONS	
A434 EXTERIOR ELEVATIONS	
A435 EXTERIOR ELEVATIONS	
A436 EXTERIOR ELEVATIONS	
A437 EXTERIOR ELEVATIONS	
A438 EXTERIOR ELEVATIONS	
A439 EXTERIOR ELEVATIONS	
A440 EXTERIOR ELEVATIONS	
A441 EXTERIOR ELEVATIONS	
A442 EXTERIOR ELEVATIONS	
A443 EXTERIOR ELEVATIONS	
A444 EXTERIOR ELEVATIONS	
A445 EXTERIOR ELEVATIONS	
A446 EXTERIOR ELEVATIONS	
A447 EXTERIOR ELEVATIONS	
A448 EXTERIOR ELEVATIONS	
A449 EXTERIOR ELEVATIONS	
A450 EXTERIOR ELEVATIONS	
A451 EXTERIOR ELEVATIONS	
A452 EXTERIOR ELEVATIONS	
A453 EXTERIOR ELEVATIONS	
A454 EXTERIOR ELEVATIONS	
A455 EXTERIOR ELEVATIONS	
A456 EXTERIOR ELEVATIONS	
A457 EXTERIOR ELEVATIONS	
A458 EXTERIOR ELEVATIONS	
A459 EXTERIOR ELEVATIONS	
A460 EXTERIOR ELEVATIONS	
A461 EXTERIOR ELEVATIONS	
A462 EXTERIOR ELEVATIONS	
A463 EXTERIOR ELEVATIONS	
A464 EXTERIOR ELEVATIONS	
A465 EXTERIOR ELEVATIONS	
A466 EXTERIOR ELEVATIONS	
A467 EXTERIOR ELEVATIONS	
A468 EXTERIOR ELEVATIONS	
A469 EXTERIOR ELEVATIONS	
A470 EXTERIOR ELEVATIONS	
A471 EXTERIOR ELEVATIONS	
A472 EXTERIOR ELEVATIONS	
A473 EXTERIOR ELEVATIONS	
A474 EXTERIOR ELEVATIONS	
A475 EXTERIOR ELEVATIONS	
A476 EXTERIOR ELEVATIONS	
A477 EXTERIOR ELEVATIONS	
A478 EXTERIOR ELEVATIONS	
A479 EXTERIOR ELEVATIONS	
A480 EXTERIOR ELEVATIONS	
A481 EXTERIOR ELEVATIONS	
A482 EXTERIOR ELEVATIONS	
A483 EXTERIOR ELEVATIONS	
A484 EXTERIOR ELEVATIONS	
A485 EXTERIOR ELEVATIONS	
A486 EXTERIOR ELEVATIONS	
A487 EXTERIOR ELEVATIONS	
A488 EXTERIOR ELEVATIONS	
A489 EXTERIOR ELEVATIONS	
A490 EXTERIOR ELEVATIONS	
A491 EXTERIOR ELEVATIONS	
A492 EXTERIOR ELEVATIONS	
A493 EXTERIOR ELEVATIONS	
A494 EXTERIOR ELEVATIONS	
A495 EXTERIOR ELEVATIONS	
A496 EXTERIOR ELEVATIONS	
A497 EXTERIOR ELEVATIONS	
A498 EXTERIOR ELEVATIONS	
A499 EXTERIOR ELEVATIONS	
A500 EXTERIOR ELEVATIONS	
A501 EXTERIOR ELEVATIONS	
A502 EXTERIOR ELEVATIONS	
A503 EXTERIOR ELEVATIONS	
A504 EXTERIOR ELEVATIONS	
A505 EXTERIOR ELEVATIONS	
A506 EXTERIOR ELEVATIONS	
A507 EXTERIOR ELEVATIONS	
A508 EXTERIOR ELEVATIONS	
A509 EXTERIOR ELEVATIONS	
A510 EXTERIOR ELEVATIONS	
A511 EXTERIOR ELEVATIONS	
A512 EXTERIOR ELEVATIONS	
A513 EXTERIOR ELEVATIONS	
A514 EXTERIOR ELEVATIONS	
A515 EXTERIOR ELEVATIONS	
A516 EXTERIOR ELEVATIONS	
A517 EXTERIOR ELEVATIONS	
A518 EXTERIOR ELEVATIONS	
A519 EXTERIOR ELEVATIONS	
A520 EXTERIOR ELEVATIONS	
A521 EXTERIOR ELEVATIONS	
A522 EXTERIOR ELEVATIONS	
A523 EXTERIOR ELEVATIONS	
A524 EXTERIOR ELEVATIONS	
A525 EXTERIOR ELEVATIONS	
A526 EXTERIOR ELEVATIONS	
A527 EXTERIOR ELEVATIONS	
A528 EXTERIOR ELEVATIONS	
A529 EXTERIOR ELEVATIONS	
A530 EXTERIOR ELEVATIONS	
A531 EXTERIOR ELEVATIONS	
A532 EXTERIOR ELEVATIONS	
A533 EXTERIOR ELEVATIONS	
A534 EXTERIOR ELEVATIONS	
A535 EXTERIOR ELEVATIONS	
A536 EXTERIOR ELEVATIONS	
A537 EXTERIOR ELEVATIONS	
A538 EXTERIOR ELEVATIONS	
A539 EXTERIOR ELEVATIONS	
A540 EXTERIOR ELEVATIONS	
A541 EXTERIOR ELEVATIONS	
A542 EXTERIOR ELEVATIONS	
A543 EXTERIOR ELEVATIONS	
A544 EXTERIOR ELEVATIONS	
A545 EXTERIOR ELEVATIONS	
A546 EXTERIOR ELEVATIONS	
A547 EXTERIOR ELEVATIONS	
A548 EXTERIOR ELEVATIONS	
A549 EXTERIOR ELEVATIONS	
A550 EXTERIOR ELEVATIONS	
A551 EXTERIOR ELEVATIONS	
A552 EXTERIOR ELEVATIONS	
A553 EXTERIOR ELEVATIONS	
A554 EXTERIOR ELEVATIONS	
A555 EXTERIOR ELEVATIONS	
A556 EXTERIOR ELEVATIONS	
A557 EXTERIOR ELEVATIONS	
A558 EXTERIOR ELEVATIONS	
A559 EXTERIOR ELEVATIONS	
A560 EXTERIOR ELEVATIONS	
A561 EXTERIOR ELEVATIONS	
A562 EXTERIOR ELEVATIONS	
A563 EXTERIOR ELEVATIONS	
A564 EXTERIOR ELEVATIONS	
A565 EXTERIOR ELEVATIONS	
A566 EXTERIOR ELEVATIONS	
A567 EXTERIOR ELEVATIONS	
A568 EXTERIOR ELEVATIONS	
A569 EXTERIOR ELEVATIONS	
A570 EXTERIOR ELEVATIONS	
A571 EXTERIOR ELEVATIONS	
A572 EXTERIOR ELEVATIONS	
A573 EXTERIOR ELEVATIONS	
A574 EXTERIOR ELEVATIONS	
A575 EXTERIOR ELEVATIONS	
A576 EXTERIOR ELEVATIONS	
A577 EXTERIOR ELEVATIONS	
A578 EXTERIOR ELEVATIONS	
A579 EXTERIOR ELEVATIONS	
A580 EXTERIOR ELEVATIONS	
A581 EXTERIOR ELEVATIONS	
A582 EXTERIOR ELEVATIONS	
A583 EXTERIOR ELEVATIONS	
A584 EXTERIOR ELEVATIONS	
A585 EXTERIOR ELEVATIONS	
A586 EXTERIOR ELEVATIONS	
A587 EXTERIOR ELEVATIONS	
A588 EXTERIOR ELEVATIONS	
A589 EXTERIOR ELEVATIONS	
A590 EXTERIOR ELEVATIONS	
A591 EXTERIOR ELEVATIONS	
A592 EXTERIOR ELEVATIONS	
A593 EXTERIOR ELEVATIONS	
A594 EXTERIOR ELEVATIONS	
A595 EXTERIOR ELEVATIONS	
A596 EXTERIOR ELEVATIONS	
A597 EXTERIOR ELEVATIONS	
A598 EXTERIOR ELEVATIONS	
A599 EXTERIOR ELEVATIONS	
A600 EXTERIOR ELEVATIONS	
A601 EXTERIOR ELEVATIONS	
A602 EXTERIOR ELEVATIONS	
A603 EXTERIOR ELEVATIONS	
A604 EXTERIOR ELEVATIONS	
A605 EXTERIOR ELEVATIONS	
A606 EXTERIOR ELEVATIONS	
A607 EXTERIOR ELEVATIONS	
A608 EXTERIOR ELEVATIONS	
A609 EXTERIOR ELEVATIONS	
A610 EXTERIOR ELEVATIONS	
A611 EXTERIOR ELEVATIONS	
A612 EXTERIOR ELEVATIONS	
A613 EXTERIOR ELEVATIONS	
A614 EXTERIOR ELEVATIONS	
A615 EXTERIOR ELEVATIONS	
A616 EXTERIOR ELEVATIONS	
A617 EXTERIOR ELEVATIONS	
A618 EXTERIOR ELEVATIONS	
A619 EXTERIOR ELEVATIONS	
A620 EXTERIOR ELEVATIONS	
A621 EXTERIOR ELEVATIONS	
A622 EXTERIOR ELEVATIONS	
A623 EXTERIOR ELEVATIONS	
A624 EXTERIOR ELEVATIONS	
A625 EXTERIOR ELEVATIONS	
A626 EXTERIOR ELEVATIONS	
A627 EXTERIOR ELEVATIONS	
A628 EXTERIOR ELEVATIONS	
A629 EXTERIOR ELEVATIONS	
A630 EXTERIOR ELEVATIONS	
A631 EXTERIOR ELEVATIONS	
A632 EXTERIOR ELEVATIONS	
A633 EXTERIOR ELEVATIONS	
A634 EXTERIOR ELEVATIONS	
A635 EXTERIOR ELEVATIONS	
A636 EXTERIOR ELEVATIONS	
A637 EXTERIOR ELEVATIONS	
A638 EXTERIOR ELEVATIONS	
A639 EXTERIOR ELEVATIONS	
A640 EXTERIOR ELEVATIONS	



ARCHITECT OF RECORD
DEMIONA KEMPER ARCHITECTS
 125 N. HALSTED STREET, SUITE 301
 CHICAGO, IL 60661
 P: 312.496.0000

STRUCTURAL AND MEP/PF ENGINEERING
KJWW ENGINEERING CONSULTANTS
 1100 WARRENVILLE RD. SUITE
 400W NAPERVILLE, IL 60563
 P: 630.527.2320

FOOD SERVICE CONSULTANT
CINI LITTLE INTERNATIONAL, INC.
 200 E. HOWARD AVE. SUITE 212
 DES PLAINES, IL 60018
 P: 847.298.0088

CONSTRUCTION MANAGER
JOLIET JUNIOR COLLEGE
 1215 HOUBOLT RD.
 JOLIET, IL 60431
 P: 815.280.2212

**JOLIET JUNIOR COLLEGE
 ROMEOVILLE CAMPUS EXPANSION**
 1125 135th ST. ROMEOVILLE, IL 60446
 DKA PROJECT NO: 14-005

CODE COMPLIANCE NOTES:

APPLICABLE CODES:
 2009 INTERNATIONAL BUILDING CODE
 2009 INTERNATIONAL PROPERTY MAINTENANCE CODE
 2012 INTERNATIONAL ENERGY CODE
 2009 INTERNATIONAL FIRE CODE
 2009 INTERNATIONAL MECHANICAL CODE
 2009 INTERNATIONAL CONSERVATION CODE
 2009 INTERNATIONAL FIRE CODE
 2011 NATIONAL ELECTRICAL CODE
 CURRENT EDITION, ILLINOIS PLUMBING CODE
 1991 ILLINOIS ACCESSIBILITY CODE
 CURRENT EDITION, ASME A117.1 SAFETY CODE FOR ELEVATORS AND ESCALATORS

BUILDING AREA AND HEIGHT SUMMARY:

FIRST FLOOR (GROSS): 28,073 SF
 SECOND FLOOR (GROSS): 21,995 SF
 TOTAL AREA ALL FLOORS: 50,068 SF
 BUILDING HEIGHT: 2 STORES

BUILDING CODE CLASSIFICATION:

- UNSEPARATED MIXED USE OCCUPANCY:
 USE A.2 AND A.3 ASSEMBLY
 USE B. BUSINESS
- CONSTRUCTION TYPE: 2B, FULLY SPRINKLERED
- ALLOWABLE AREA AND HEIGHT, BASED ON USE GROUP A-2:
 BASE FLOOR AREA: 9,500 SF
 AUTOMATIC SPRINKLER INCREASE, 200%: 19,000 SF
 FRONTAGE INCREASE, 100% ACCESS: 7,125 SF
 MAX. AREA PER FLOOR: 35,625 SF
 BASE BUILDING HEIGHT: 2 STORES
 AUTOMATIC SPRINKLER INCREASE: 1 STORY
 MAX. BUILDING HEIGHT: 3 STORES
- FIRE RESISTANCE RATINGS, TYPE 2B CONSTRUCTION:
 STRUCTURAL FRAME: 0 HRS
 EXTERIOR BEARING WALLS: 0 HRS
 INTERIOR BEARING WALLS: 0 HRS
 EXTERIOR NON-BEARING WALLS: 0 HRS
 INTERIOR NON-BEARING WALLS: 0 HRS
 FLOOR CONSTRUCTION: 0 HRS
 ROOF CONSTRUCTION: 0 HRS
- FIRE RESISTANCE RATED SEPARATIONS:
 A. EXIT ACCESS COMPONENTS
 CORRIDORS: 1 HR FIRE BARRIER
 VERTICAL EXIT ENCLOSURES (PROVIDE RATINGS AS SHOWN ON PLAN)
 B. INCIDENTAL USE AREAS (PROVIDE RATINGS AS SHOWN ON PLAN)
 WALLS: -
 FLOORS/CEILING (MATCH WALLS): -
- EXIT ACCESS TRAVEL DISTANCES, WITH SPRINKLER SYSTEM:
 USE B. BUSINESS: 30 FT.
- COMMON PATH OF EGRESS TRAVEL, WITH SPRINKLER SYSTEM:
 USE B. BUSINESS: 30 FT.
- DEAD END CORRIDOR LENGTH, WITH SPRINKLER SYSTEM:
 USE B: 50 FT.

PLUMBING FIXTURE COUNT:

1. NUMBER OF OCCUPANTS, ACTUAL: 796
 2. NUMBER OF OCCUPANTS, PER SEX: 398
 3. BUILDING TYPE: COLLEGE

FIXTURE TYPE	QUANTITY			
	REQUIRED		CURRENTLY PROVIDED	
	WOMEN	MEN	WOMEN	MEN
LAVATORIES	10	10	10	10
WATER CLOSETS	20	10	20	10
URINALS	-	10	-	10
DRINKING FOUNTAINS	-	11	-	11
SERVICE SINKS	1 PER FLOOR	-	-	2

CODE COMPLIANCE PLAN SYMBOLS LEGEND:

NOTE: REFER TO M.E.P.F. DRAWINGS FOR ADDITIONAL INFORMATION ON MECHANICAL, ELECTRICAL, AND FIRE PROTECTION SYSTEMS

ROOM OCCUPANT LOAD

- FUNCTION OF SPACE
- ASTERISK INDICATES REQUIREMENT TO POST A ROOM OCCUPANT LOAD PLACARD
- ROOM OR AREA SQUARE FOOTAGE
- SQUARE FOOTAGE PER OCCUPANT
- 11 TO EXIT 1
- 10 TO EXIT 2
- 8 TO EXIT 3
- OCCUPANT LOAD AND ASSIGNED EXIT DISCHARGE

EXIT ACCESS TRAVEL DISTANCE

- TRAVEL DISTANCE TO NEAREST EXIT ACCESS
- LINE TYPE DENOTES COMMON PATH OF EGRESS TRAVEL
- TRAVEL DISTANCE ON COMMON PATH OF EGRESS
- DENOTES END OF COMMON PATH OF EGRESS TRAVEL
- DENOTES DIRECTION OF ALTERNATE PATH OF EGRESS
- EXIT DISCHARGE

EXIT OCCUPANT LOAD

- EXIT DISCHARGE NUMBER
- ACTUAL OCCUPANT LOAD PER DESIGN
- MAXIMUM OCCUPANT LOAD PER DESIGN

EXIT SIGNS

- SOLID HATCH DENOTES EXIT SIGN FACE PLACEMENT
- DIRECTION OF EGRESS
- EXIT SIGN, WALL MOUNTED

FIRE RESISTANCE RATED SEPARATION TYPES

*SEE WALL TYPES FOR CONSTRUCTION REQUIREMENTS

- FW FIRE WALL
- FB FIRE BARRIER
- FP FIRE PARTITION
- SP SMOKE PARTITION
- HA HORIZ. ASSEMBLY
- SH SHAFT ENCLOSURE
- SB SMOKE BARRIER

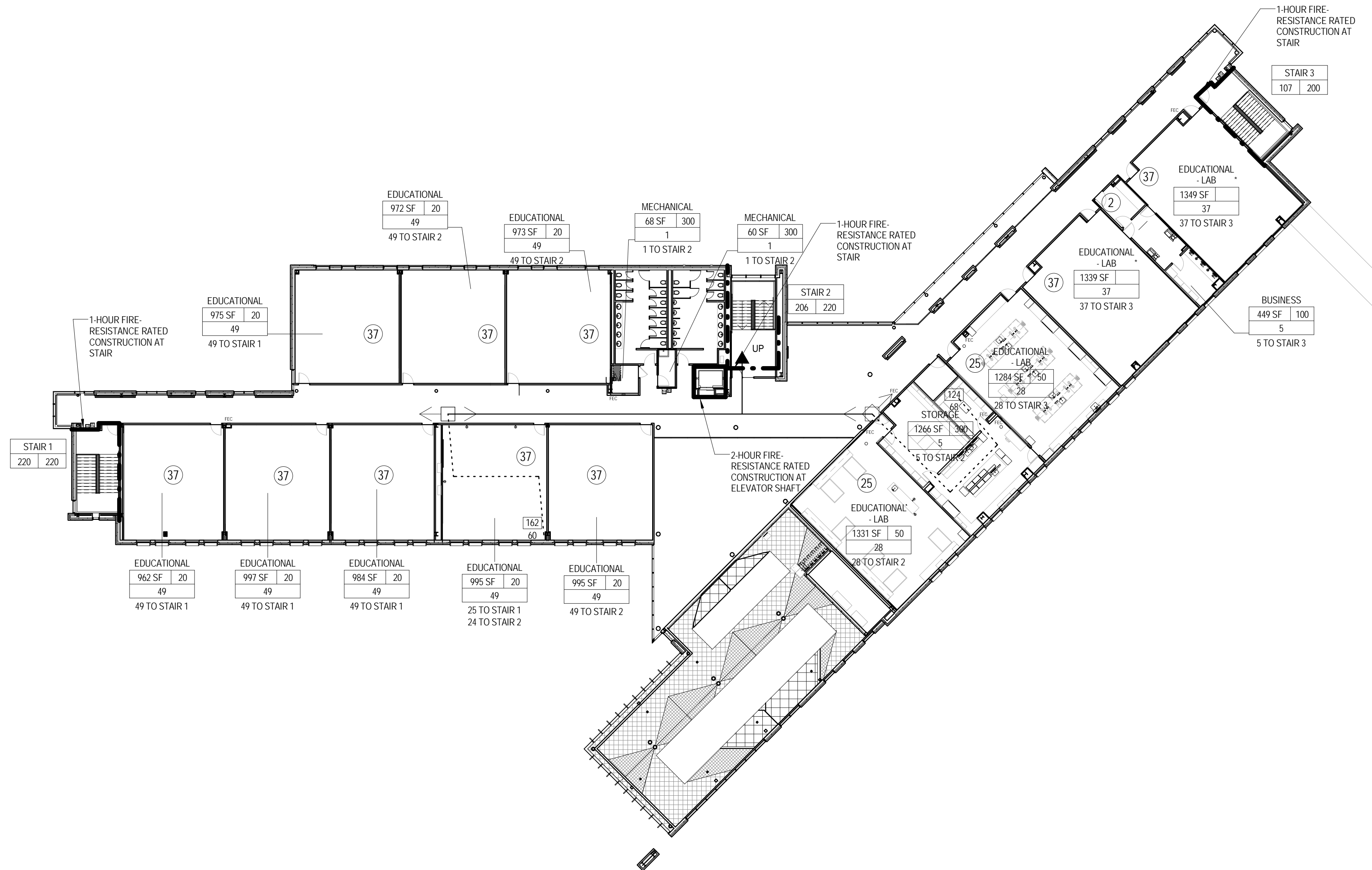
SMOKE PARTITION

- 1 HR FIRE RESISTANCE RATED CONSTRUCTION
- 2 HR FIRE RESISTANCE RATED CONSTRUCTION
- 3 HR FIRE RESISTANCE RATED CONSTRUCTION
- 4 HR FIRE RESISTANCE RATED CONSTRUCTION

DEVICES

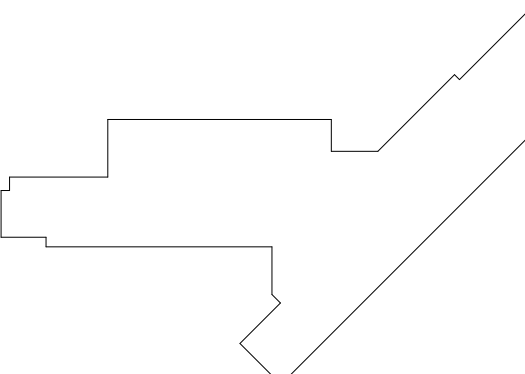
- FEC SEMI-RECESSED FIRE EXTINGUISHER CABINET
- ANN FIRE ALARM ANNUNCIATOR PANEL

1 LEVEL 1 CODE PLAN
 3/64" = 1'-0"
 TRUE NORTH



2 LEVEL 2 CODE PLAN
 3/64" = 1'-0"
 TRUE NORTH

KEY PLAN:



SHEET STATUS: 9/21/15
ISSUED FOR CONSTRUCTION

NO.	DESCRIPTION:	DATE:

SHEET TITLE:
CODE PLANS

SHEET NUMBER:
A0.10



ARCHITECT OF RECORD
DEMONICA KEMPER ARCHITECTS
 125 N. HALSTED STREET, SUITE 301
 CHICAGO, IL 60661
 P: 312.496.0000

STRUCTURAL AND MEP/FP ENGINEERING
KJWW ENGINEERING CONSULTANTS
 1100 WARRENVILLE RD. SUITE
 400W NAPERVILLE, IL 60563
 P: 630.527.2320

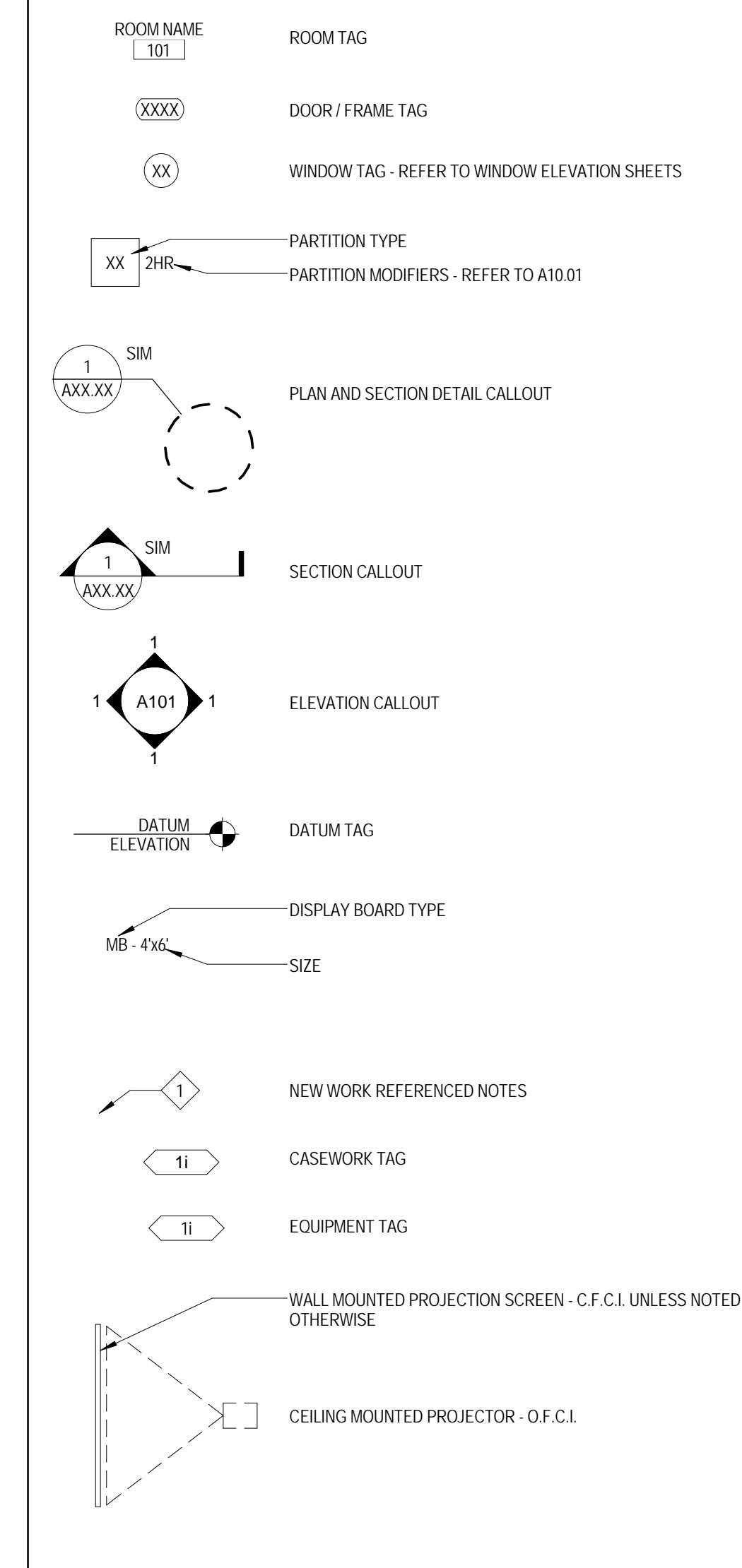
FOOD SERVICE CONSULTANT
CINI LITTLE INTERNATIONAL, INC.
 200 E. HOWARD AVE. SUITE 212
 DES PLAINES, IL 60018
 P: 847.298.0088

CONSTRUCTION MANAGER
JOLIET JUNIOR COLLEGE
 1215 HOUBOLT RD.
 JOLIET, IL 60431
 P: 815.280.2212

**JOLIET JUNIOR COLLEGE
 ROMEOVILLE CAMPUS EXPANSION**
 1125 135th ST. ROMEOVILLE, IL 60446
 DKA PROJECT NO: 14-005

FLOOR PLAN & SECTION SYMBOLS LEGEND:

NOTE: REFER TO M.E.P.P. DRAWINGS FOR ADDITIONAL INFORMATION ON MECHANICAL, ELECTRICAL, AND FIRE PROTECTION SYSTEMS



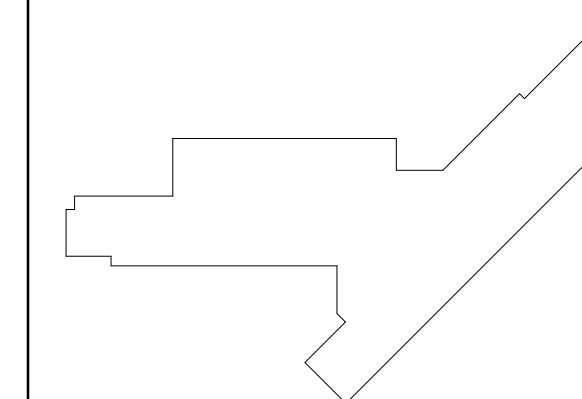
FLOOR PLAN GENERAL NOTES:

1. FINISH FLOOR ELEVATION OF 0'-0" = 471.8' USGS
2. ELEVATIONS SHOWN ON ARCHITECTURAL DRAWINGS ARE RELATIVE TO FIRST FLOOR FINISH ELEVATION OF 0'-0". REFER TO CIVIL DRAWINGS FOR COORDINATING USGS ELEVATION.
3. REFER TO CODE PLANS ON SHEET A0.10 FOR FIRE RATINGS AND AREA SEPARATION LOCATIONS FOR WALLS, ENCLOSURES, OPENINGS, ETC.
4. DO NOT SCALE DRAWINGS.
5. NOTIFY ARCHITECT OF ANY DISCREPANCIES IN THE DOCUMENTS PRIOR TO WORK COMMENCING.
6. NOTES ON DRAWINGS SHALL APPLY TO ALL SIMILAR CONDITIONS WHETHER THEY ARE REPEATED OR NOT.
7. THE CONTRACTOR SHALL BE RESPONSIBLE FOR THE VERIFICATION OF EXISTING CONDITIONS AND IN-FIELD DIMENSIONS PRIOR TO COMMENCING WORK.
8. ALL INTERIOR DIMENSIONS ARE TO FACE OF FINISHED WALL UNLESS NOTED OTHERWISE.
9. PROVIDE ACCESS PANELS AT LOCATIONS INDICATED AND AS REQUIRED FOR ACCESS TO EQUIPMENT AND DEVICES INCLUDING, BUT NOT LIMITED TO, MECHANICAL, PLUMBING AND ELECTRICAL WORK. PAINT ACCESS PANELS TO MATCH ADJACENT WALL OR CEILING FINISH.
10. REFER TO A10.01 FOR PARTITION SCHEDULE. ALL INTERIOR PARTITIONS SHALL BE TYPE STA. U.N.O. ALL GYP BD COLUMN ENCLOSURES SHALL BE TYPE SXC. U.N.O.
11. REFER TO EXTERIOR ELEVATIONS, SECTIONS AND DETAILS FOR CONSTRUCTION OF EXTERIOR WALLS.
12. PROVIDE IN WALL BLOCKING FOR ALL WALL MOUNTED EQUIPMENT NOTED THROUGHOUT DRAWINGS.
13. CASEWORK AND EQUIPMENT MAY BE SHOWN AS HALFTONE ON DIMENSION PLANS FOR CLARITY.

FLOOR PLAN REFERENCED NOTES:

1. GLASS GUARDRAIL SYSTEM. REFER TO DETAIL FOR MORE INFORMATION.
2. GYP BD COLUMN ENCLOSURE - PARTITIONS TYPE SXC. TP. REFER TO DIMENSION PLANS FOR OUTSIDE DIMENSIONS.
3. HIGH DENSITY SHELVING SYSTEM. COORDINATE RECESS IN SLAB FOR SUPPORT RAILS. REFER TO STRUCTURAL DRAWINGS.
4. SLIDING GLASS BARN DOOR SYSTEM - REFER TO INTERIOR ELEVATIONS FOR MORE INFORMATION.
5. FOOD SERVICE EQUIPMENT. REFER TO FOOD SERVICE DRAWINGS.
6. ALL WALLS THIS ROOM ARE FACED WITH PLYWOOD. REFER TO TECHNOLOGY DWGS FOR MORE INFORMATION.
7. RECESSED GUN CABINET
8. VENDING MACHINES, N.I.C.
9. PLASTIC LAMINATE, 3-HIGH LOCKERS
10. FLAT PANEL MONITOR - O.F.C.I. REFER TO INTERIOR ELEVATIONS FOR LOCATIONS. IF WALL IS NOT ELEVATED, CENTER MONITOR ON WALL AND MOUNT AT 5'-0" AFF.
11. RECESSED CABINET UNIT HEATER. REFER TO MECHANICAL DRAWINGS.
12. PROVIDE BLOCKING IN WALL FOR OWNER FURNISHED, OWNER INSTALLED EVAC CHAIR. COORDINATE EXTENTS AND LOCATION WITH ARCHITECT.
13. LEVEL 5 DRYWALL FINISH THIS WALL.
14. SECURITY GATE TRACK ABOVE.
15. FIRE ALARM ANNUNCIATOR PANEL.
16. CODE BLUE STATION - SEE TECHNOLOGY DWGS.
17. FIN TUBE RADIATOR BELOW. REFER TO MECHANICAL DRAWINGS.
18. WALL MOUNTED ADA DOOR OPERATOR PUSH PAD.
19. RECESSED FIRE EXTINGUISHER CABINET.
20. WALL MOUNTED, 24" X 72" MIRROR - TA-SA. REFER TO TOILET ACCESSORY SCHEDULE ON A8.01.
21. PLASTIC LAMINATE, 2-HIGH LOCKERS
22. PROVIDE IN WALL BLOCKING FOR N.I.C. FIRST AID AND SAFETY EQUIPMENT.
23. WALL MOUNTED LAPTOP CABINET - COORDINATE LOCATION WITH ARCHITECT PRIOR TO INSTALLATION.
24. WALL MOUNTED GAS SHUT OFF BUTTON - REFER TO MECHANICAL DWGS.
25. NOT USED.
26. CHAIN LINK FENCE CAGE - EXTEND FENCING 10' OF A.F.F.
27. 18" AFF IN WALL BLOCKING AND HANDOFF RING.
28. THIS WALL AND DOOR ARE PROVIDED AT BASE BID ONLY. REMOVED AT ALT. BID #1. SEE SHEET A1.03.
29. PLATED STEEL COLUMN. SEE STRUCTURAL.
30. COORDINATE LOCATION OF WALL RECESS WITH CEILING TERMINATION - REFER TO RCP.
31. METAL 2-HIGH LOCKERS
32. JOINTS IN STONE SILL ALIGN WITH MULLIONS. REFER TO WALL SECTION FOR MORE INFORMATION.
33. LINE OF SOFFIT BELOW. REFER TO RCP FOR MORE INFORMATION.
34. ALIGN FACE OF COLUMN ENCLOSURE WITH WINDOW JAMB.
35. TRANSFORMER, GENERATOR, AND REMOTE REFRIGERATION RACK. REFER TO ELECTRICAL, FOOD SERVICE AND MECHANICAL DRAWINGS.

KEY PLAN:



SHEET STATUS: 9/21/15

ISSUED FOR CONSTRUCTION

NO.	DESCRIPTION:	DATE:

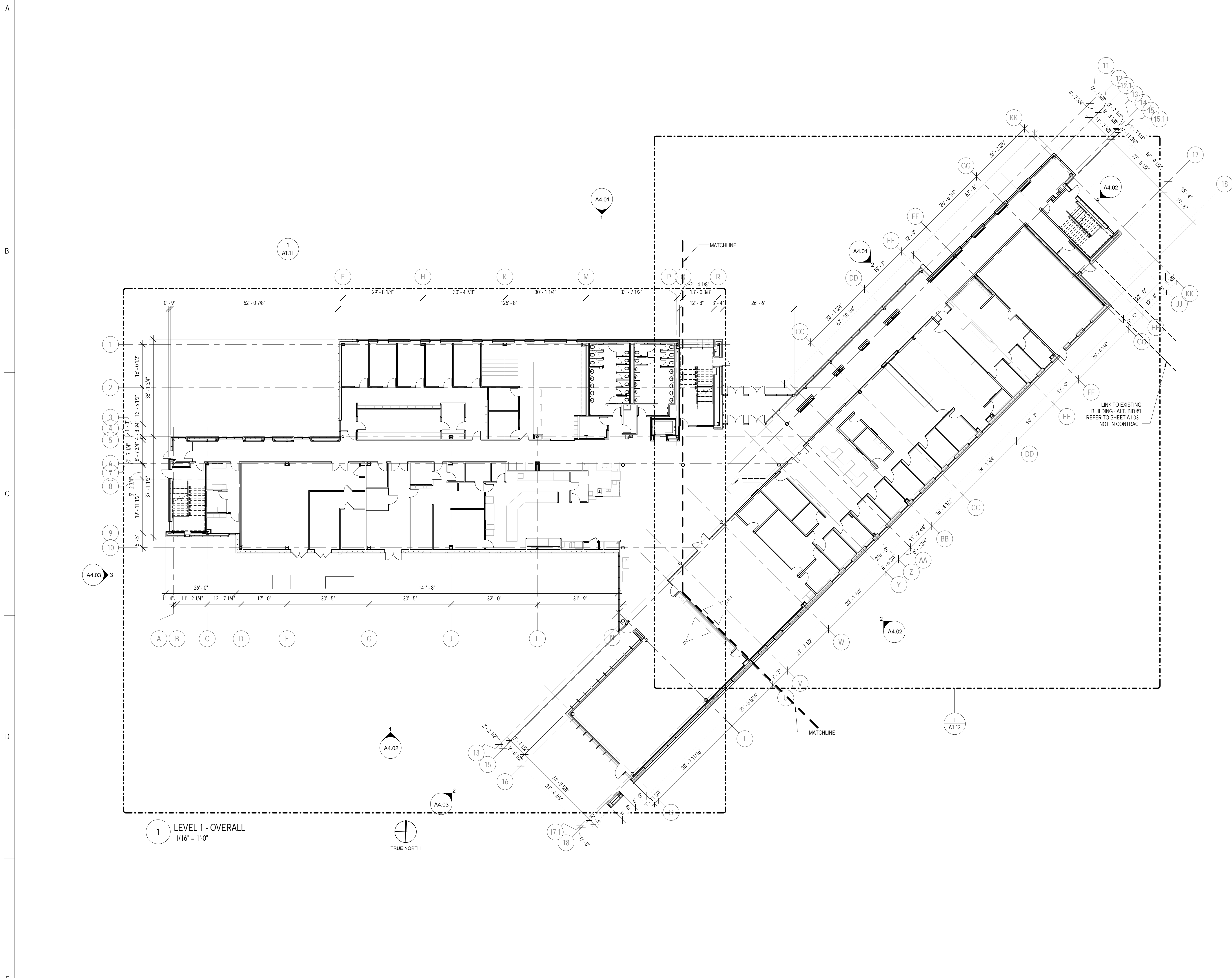
SHEET TITLE:

OVERALL PLAN - LEVEL 1

SHEET NUMBER:

A1.01

9/18/2015 9:28:11 AM



1 LEVEL 1 - OVERALL
 1/16" = 1'-0"
 TRUE NORTH



ARCHITECT OF RECORD
DEMONICA KEMPER ARCHITECTS
 125 N. HALSTED STREET, SUITE 301
 CHICAGO, IL 60661
 P: 312.496.0000

STRUCTURAL AND MEP/FP ENGINEERING
KJWW ENGINEERING CONSULTANTS
 1100 WARRENVILLE RD. SUITE
 400W NAPERVILLE, IL 60563
 P: 630.527.2320

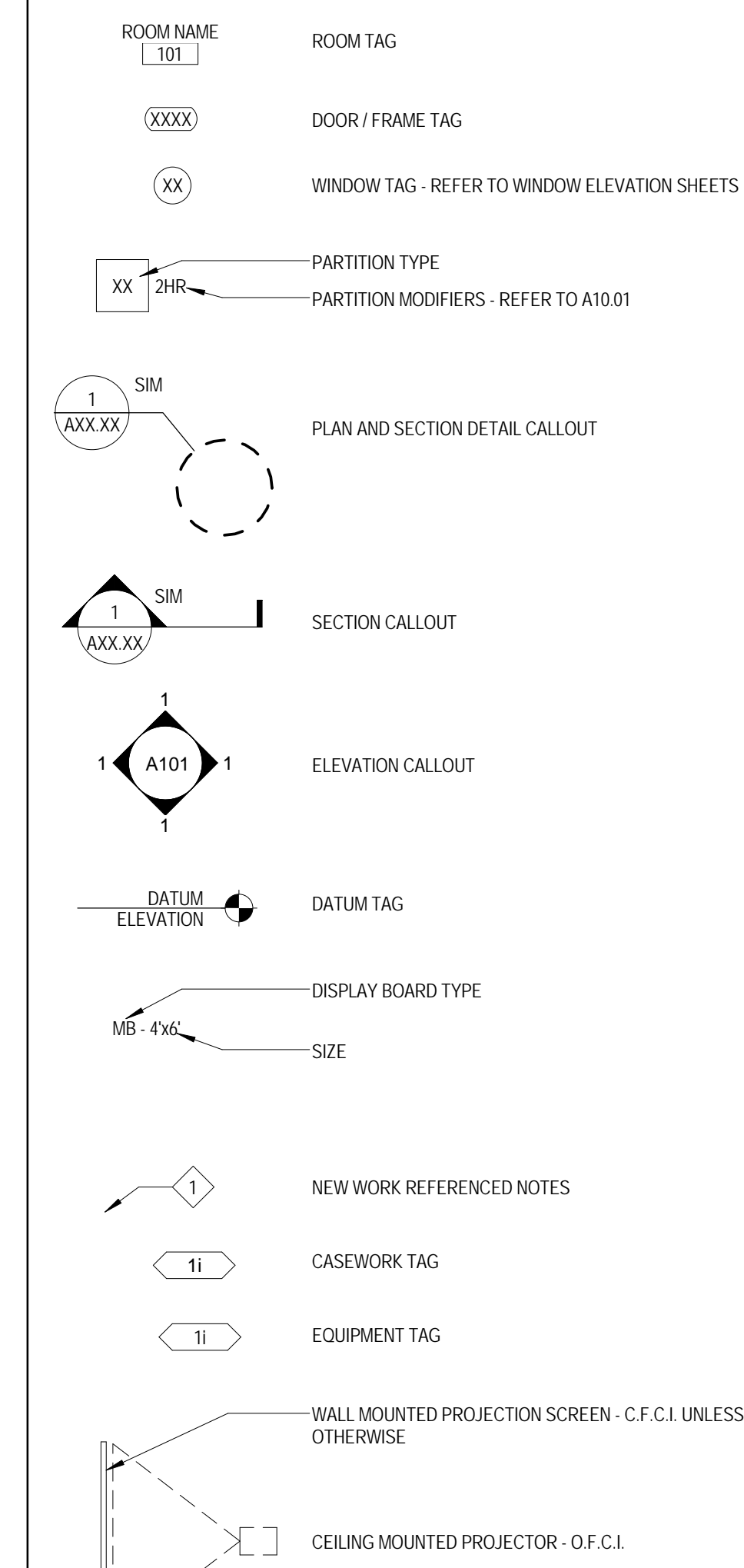
FOOD SERVICE CONSULTANT
CINI LITTLE INTERNATIONAL, INC.
 200 E. HOWARD AVE. SUITE 212
 DES PLAINES, IL 60018
 P: 847.298.0088

CONSTRUCTION MANAGER
JOLIET JUNIOR COLLEGE
 1215 HOUBOLT RD.
 JOLIET, IL 60431
 P: 815.280.2212

**JOLIET JUNIOR COLLEGE
 ROMEOVILLE CAMPUS EXPANSION**
 1125 135th ST. ROMEOVILLE, IL 60446
 DKA PROJECT NO: 14-005

FLOOR PLAN & SECTION SYMBOLS LEGEND:

NOTE: REFER TO M.E.P.F.P. DRAWINGS FOR ADDITIONAL INFORMATION ON MECHANICAL, ELECTRICAL, AND FIRE PROTECTION SYSTEMS

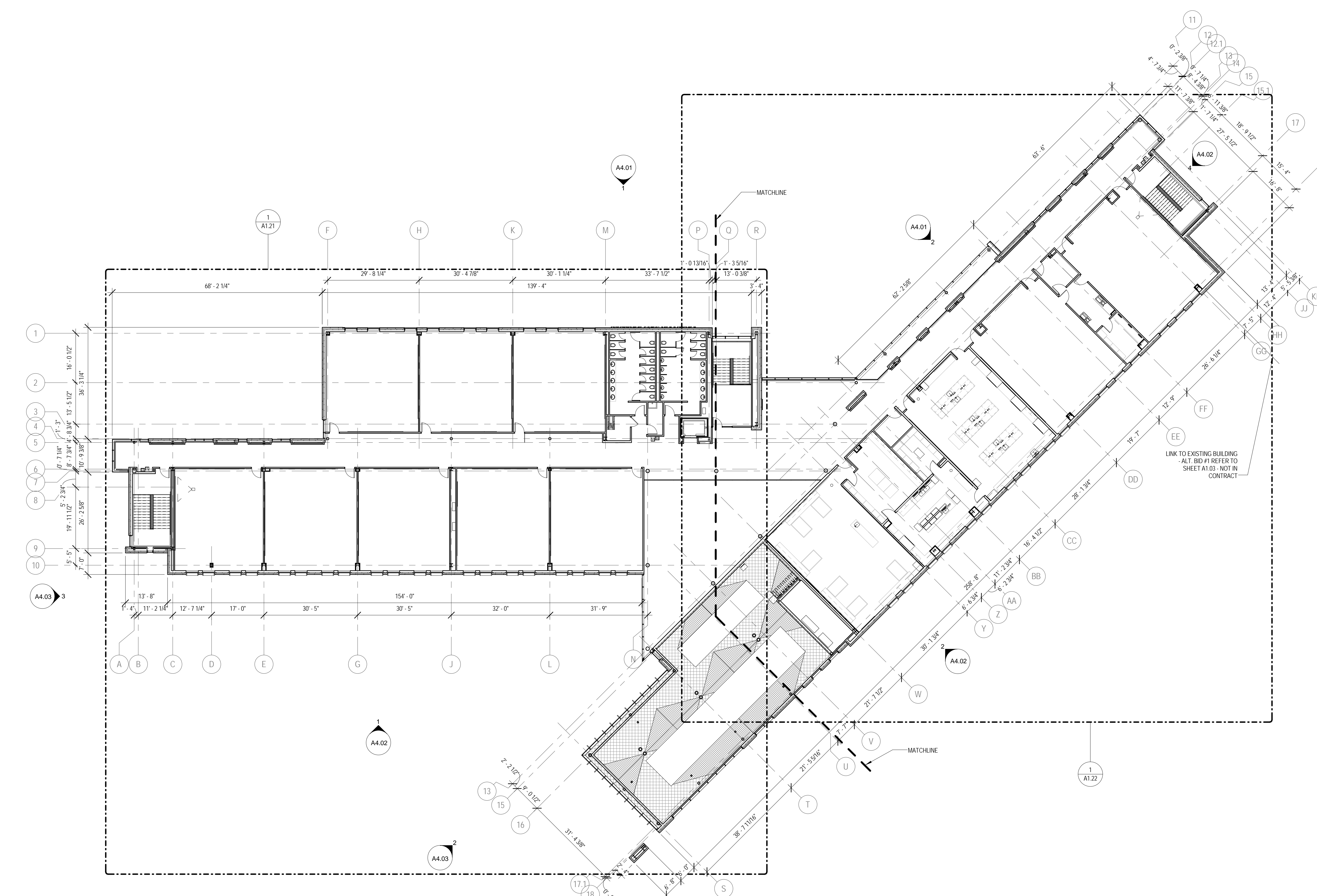


FLOOR PLAN GENERAL NOTES:

- FINISH FLOOR ELEVATION OF 0'-0" - 671.8" USGS
- ELEVATIONS SHOWN ON ARCHITECTURAL DRAWINGS ARE RELATIVE TO FIRST FLOOR FINISH ELEVATION OF 0'-0". REFER TO CIVIL DRAWINGS FOR COORDINATING USGS ELEVATION.
- REFER TO CODE PLANS ON SHEET A0.10 FOR FIRE RATINGS AND AREA SEPARATION LOCATIONS FOR WALLS, ENCLOSURES, OPENINGS, ETC.
- DO NOT SCALE DRAWINGS.
- NOTIFY ARCHITECT OF ANY DISCREPANCIES IN THE DOCUMENTS PRIOR TO WORK COMMENCING.
- NOTES ON DRAWINGS SHALL APPLY TO ALL SIMILAR CONDITIONS WHETHER THEY ARE REPEATED OR NOT.
- THE CONTRACTOR SHALL BE RESPONSIBLE FOR THE VERIFICATION OF EXISTING CONDITIONS AND IN-FIELD DIMENSIONS PRIOR TO COMMENCING WORK.
- ALL INTERIOR DIMENSIONS ARE TO FACE OF FINISHED WALL UNLESS NOTED OTHERWISE.
- PROVIDE ACCESS PANELS AT LOCATIONS INDICATED AND AS REQUIRED FOR ACCESS TO EQUIPMENT AND DEVICES INCLUDING, BUT NOT LIMITED TO, MECHANICAL, PLUMBING AND ELECTRICAL WORK. PAINT ACCESS PANELS TO MATCH ADJACENT WALL OR CEILING FINISH.
- REFER TO A10.01 FOR PARTITION SCHEDULE. ALL INTERIOR PARTITIONS SHALL BE TYPE STA UNLESS NOTED OTHERWISE. ALL GYP-BD COLUMN ENCLOSURES SHALL BE TYPE SDC UNLESS NOTED OTHERWISE.
- REFER TO EXTERIOR ELEVATIONS, SECTIONS AND DETAILS FOR CONSTRUCTION OF EXTERIOR WALLS.
- PROVIDE IN-WALL BLOCKING FOR ALL WALL MOUNTED EQUIPMENT NOTED THROUGHOUT DRAWINGS.
- CASEWORK AND EQUIPMENT MAY BE SHOWN AS HALFTONE ON DIMENSION PLANS FOR CLARITY.

FLOOR PLAN REFERENCED NOTES:

- GLASS GUARDRAIL SYSTEM - REFER TO DETAIL FOR MORE INFORMATION.
- GYP-BD COLUMN ENCLOSURE - PARTITIONS TYPE SDC TYP. REFER TO DIMENSION PLANS FOR OUTSIDE DIMENSIONS.
- HIGH DENSITY SHELVING SYSTEM - COORDINATE RECESS IN SLAB FOR SUPPORT RAILS. REFER TO STRUCTURAL DRAWINGS.
- SLIDING GLASS BARRI DOOR SYSTEM - REFER TO INTERIOR ELEVATIONS FOR MORE INFORMATION.
- FOOD SERVICE EQUIPMENT - REFER TO FOOD SERVICE DRAWINGS.
- ALL WALLS THIS ROOM ARE FACED WITH PLYWOOD. REFER TO TECHNOLOGY DWGS FOR MORE INFORMATION.
- RECESSED GUN CABINET
- VENDING MACHINES, N.I.C.
- PLASTIC LAMINATE, 3-HIGH LOCKERS
- FLAT PANEL MONITOR - O.F.C.I. REFER TO INTERIOR ELEVATIONS FOR LOCATIONS. IF WALL IS NOT ELEVATED, CENTER MONITOR ON WALL AND MOUNT 5'-0" A.F.F.
- RECESSED CABINET UNIT HEATER - REFER TO MECHANICAL DRAWINGS.
- PROVIDE BLOCKING IN WALL FOR OWNER FURNISHED, OWNER INSTALLED EVAC CHAIR. COORDINATE EXTENTS AND LOCATION WITH ARCHITECT.
- LEVEL 5 DRYWALL FINISH THIS WALL.
- SECURITY GATE TRACK ABOVE
- FIRE ALARM ANNUNCIATOR PANEL
- CODE BLUE STATION - SEE TECHNOLOGY DWGS
- FIN TUBE RADIATOR BELOW - REFER TO MECHANICAL DRAWINGS.
- WALL MOUNTED ADA DOOR OPERATOR PUSH PAD
- RECESSED FIRE EXTINGUISHER CABINET
- WALL MOUNTED 24" X 72" MIRROR - TA SA. REFER TO TOILET ACCESSORY SCHEDULE ON A0.01.
- PLASTIC LAMINATE, 2-HIGH LOCKERS
- PROVIDE IN-WALL BLOCKING FOR N.I.C. FIRST AID AND SAFETY EQUIPMENT
- WALL MOUNTED LAPTOP CABINET - COORDINATE LOCATION WITH ARCHITECT PRIOR TO INSTALLATION
- WALL MOUNTED GAS SHUT OFF BUTTON - REFER TO MECHANICAL DWGS
- NOT USED
- CHAIN LINK FENCE CAGE - EXTEND FENCING 10'-0" A.F.F.
- 18" AFF IN WALL BLOCKING AND HANDCUFF RING
- THIS WALL AND DOOR ARE PROVIDED AT BASE BID ONLY. REMOVED AT ALT. BID #1. SEE SHEET A1.03
- PLATED STEEL COLUMN - SEE STRUCTURAL
- COORDINATE LOCATION OF WALL RECESS WITH CEILING TERMINATION - REFER TO RCP INFORMATION
- METAL 2-HIGH LOCKERS
- JOINTS IN STONE SILL ALIGN WITH MULLIONS. REFER TO WALL SECTION FOR MORE INFORMATION.
- LINE OF SOFFIT BELOW - REFER TO RCP FOR MORE INFORMATION.
- ALIGN FACE OF COLUMN ENCLOSURE WITH WINDOW JAMB
- TRANSFORMER, GENERATOR, AND REMOTE REFRIGERATION RACK - REFER TO ELECTRICAL, FOOD SERVICE AND MECHANICAL DRAWINGS



1 LEVEL 2 - OVERALL
 1/16" = 1'-0"
 TRUE NORTH

KEY PLAN:

SHEET STATUS: 9/18/2015
ISSUED FOR CONSTRUCTION

NO.	DESCRIPTION:	DATE:

SHEET TITLE:
OVERALL PLAN - LEVEL 2

SHEET NUMBER:
A1.02



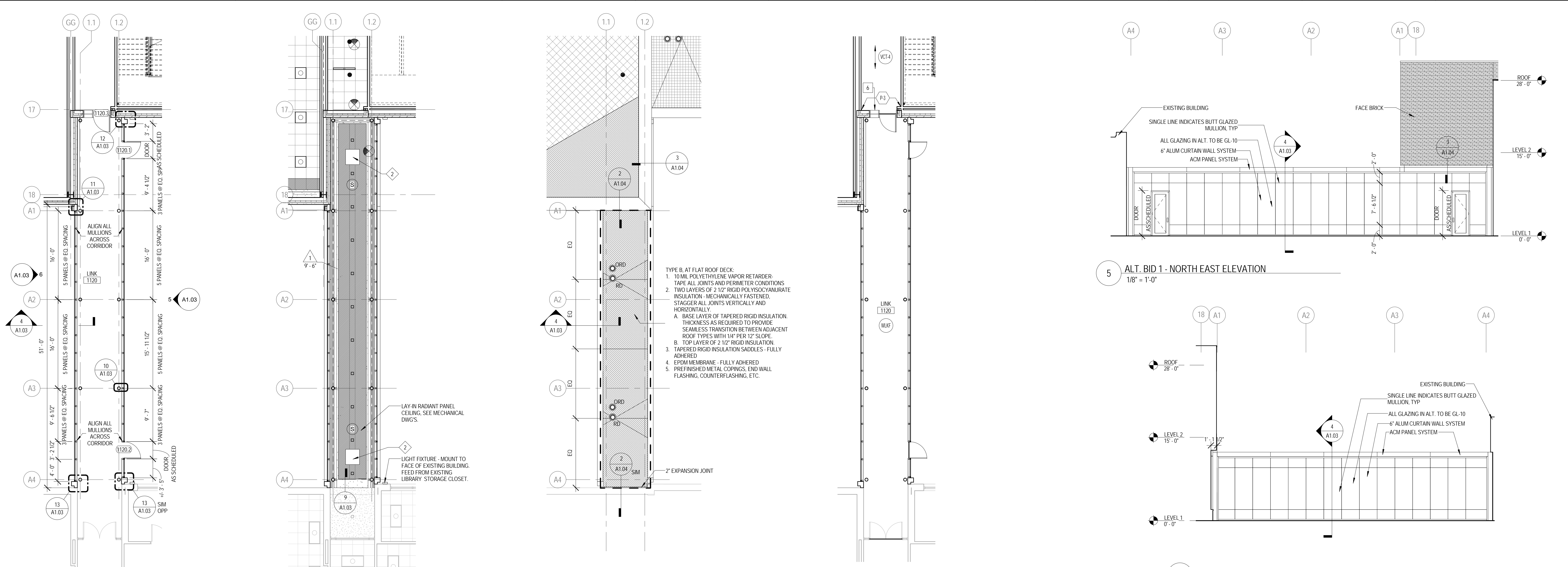
ARCHITECT OF RECORD
DEMIONA KEMPER ARCHITECTS
 125 N. HALSTED STREET, SUITE 301
 CHICAGO, IL 60661
 P: 312.496.0000

STRUCTURAL AND MEP/PF ENGINEERING
KJWW ENGINEERING CONSULTANTS
 1100 WARRENVILLE RD. SUITE
 400W NAPERVILLE, IL 60563
 P: 630.527.2320

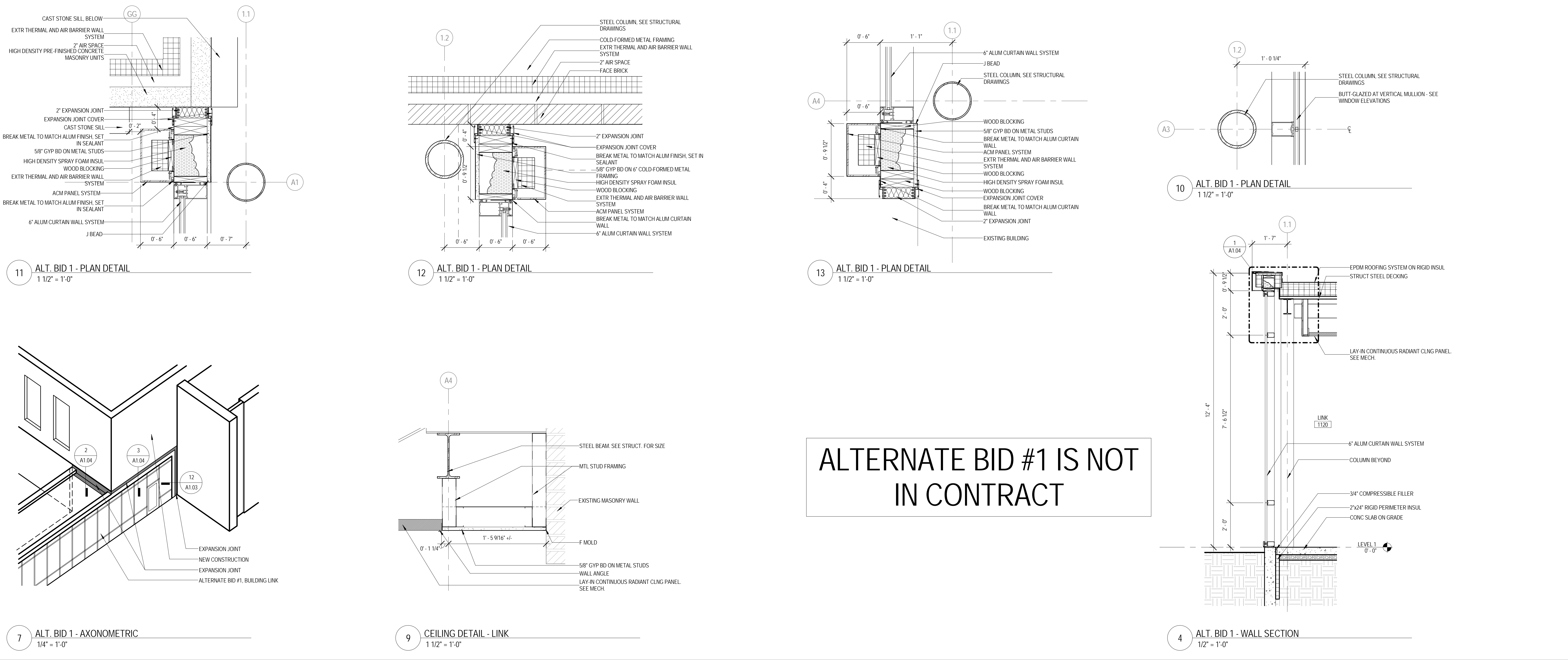
FOOD SERVICE CONSULTANT
CINI LITTLE INTERNATIONAL, INC.
 200 E. HOWARD AVE. SUITE 212
 DES PLAINES, IL 60018
 P: 847.298.0088

CONSTRUCTION MANAGER
JOLIET JUNIOR COLLEGE
 1215 HOUBOLT RD.
 JOLIET, IL 60431
 P: 815.280.2212

**JOLIET JUNIOR COLLEGE
 ROMEOVILLE CAMPUS EXPANSION**
 1125 135th ST. ROMEOVILLE, IL 60446
 DKA PROJECT NO: 14-005



- TYPE B AT FLAT ROOF DECK:
- 10 MIL POLYETHYLENE VAPOR RETARDER - TAPE ALL JOINTS AND PERIMETER CONDITIONS
 - TWO LAYERS OF 2 1/2" RIGID POLYISOCYANURATE INSULATION - MECHANICALLY FASTENED, STAGGER ALL JOINTS VERTICALLY AND HORIZONTALLY
 - A. BASE LAYER OF TAPERED RIGID INSULATION, THICKNESS AS REQUIRED TO PROVIDE SEAMLESS TRANSITION BETWEEN ADJACENT ROOF TYPES WITH 1/4" PER 12" SLOPE
 - B. TOP LAYER OF 2 1/2" RIGID INSULATION
 - TAPERED RIGID INSULATION SADDLES - FULLY ADHERED
 - EPDM MEMBRANE - FULLY ADHERED
 - PRE-FINISHED METAL COPINGS, END-WALL FLASHING, COUNTERFLASHING, ETC.



ALTERNATE BID #1 IS NOT IN CONTRACT

KEY PLAN:

SHEET STATUS: 9/21/15
ISSUED FOR CONSTRUCTION

NO.	DESCRIPTION:	DATE:
1		

SHEET TITLE:
ALTERNATE BID #1 - PLANS, RCP, AND DETAILS - NOT IN CONTRACT

SHEET NUMBER:

A1.03



ARCHITECT OF RECORD
DEMIONA KEMPER ARCHITECTS
 125 N. HALSTED STREET, SUITE 301
 CHICAGO, IL 60661
 P: 312.496.0000

STRUCTURAL AND MEP/FP ENGINEERING
KJWW ENGINEERING CONSULTANTS
 1100 WARRENVILLE RD. SUITE
 400W NAPERVILLE, IL 60563
 P: 630.527.2320

FOOD SERVICE CONSULTANT
CINI LITTLE INTERNATIONAL, INC.
 200 E. HOWARD AVE. SUITE 212
 DES PLAINES, IL 60018
 P: 847.298.0088

CONSTRUCTION MANAGER
JOLIET JUNIOR COLLEGE
 1215 HOUBOLT RD.
 JOLIET, IL 60431
 P: 815.280.2212

JOLIET JUNIOR COLLEGE
ROMEIOVILLE CAMPUS EXPANSION
 1125 135th ST. ROMEIOVILLE, IL 60446
 DKA PROJECT NO: 14-005

KEY PLAN:

SHEET STATUS: 9/21/15

ISSUED FOR CONSTRUCTION

NO.	DESCRIPTION:	DATE:
1		

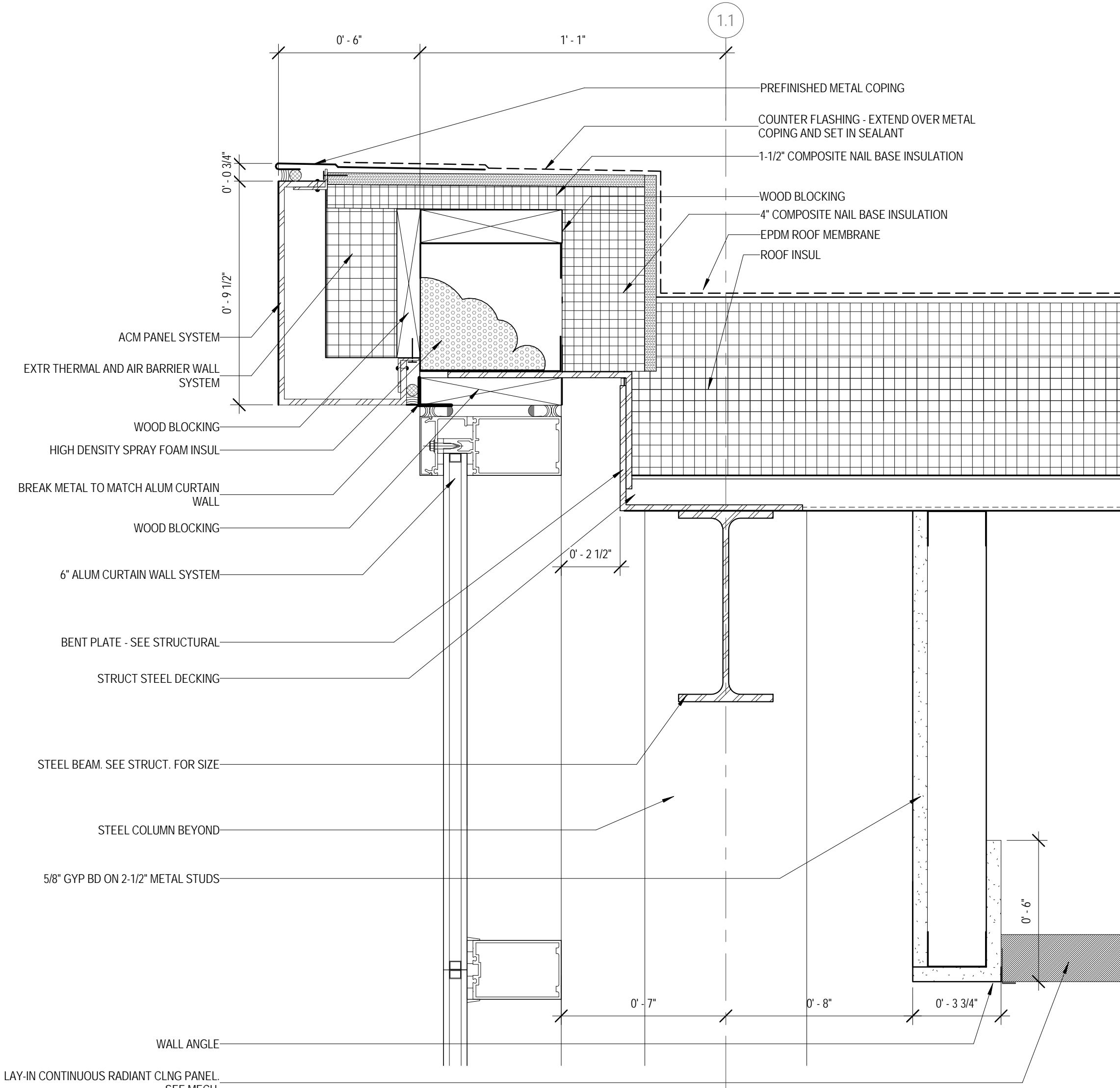
SHEET TITLE:

**ALTERNATE BID #1 -
 DETAILS - NOT IN
 CONTRACT**

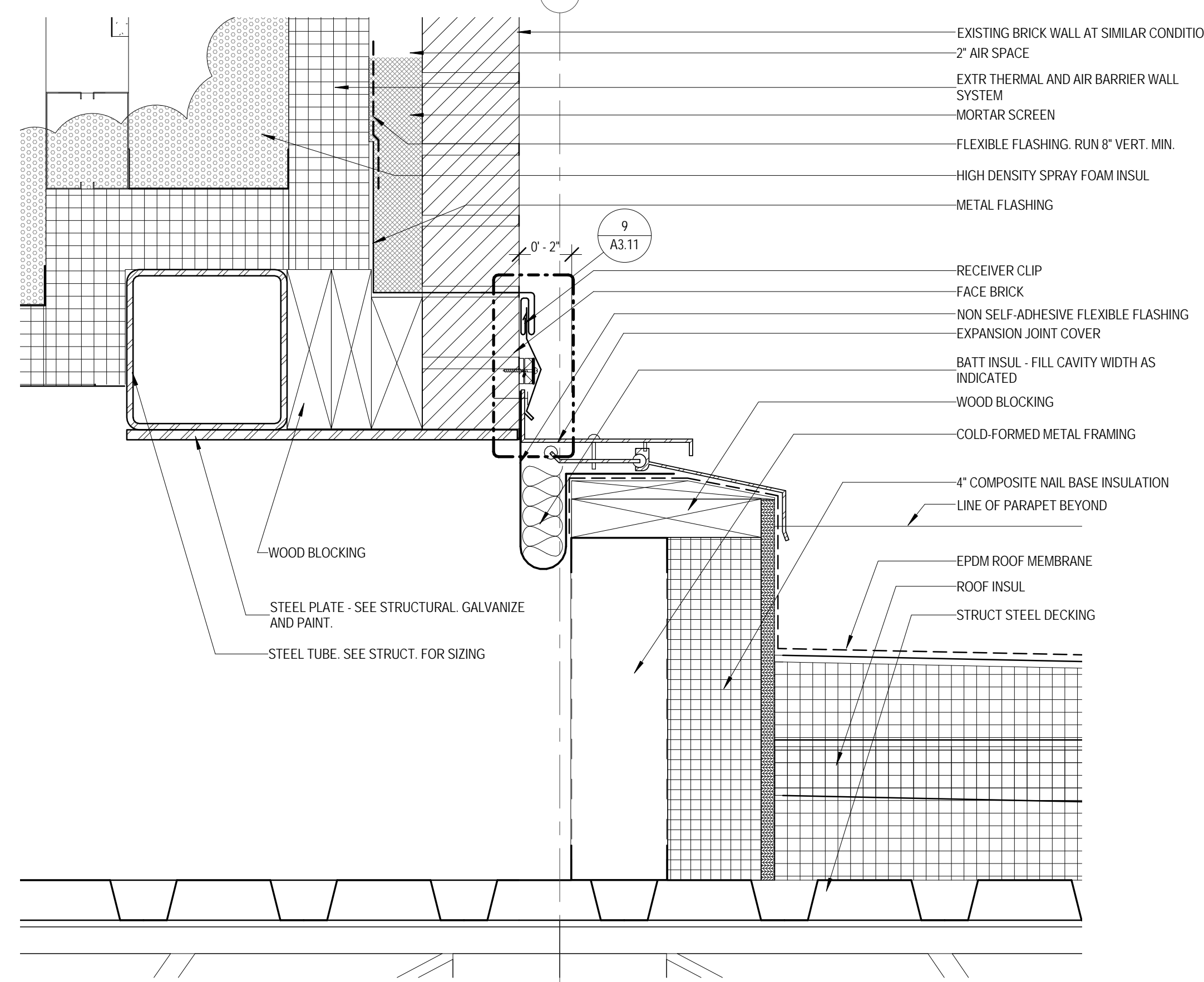
SHEET NUMBER:

A1.04

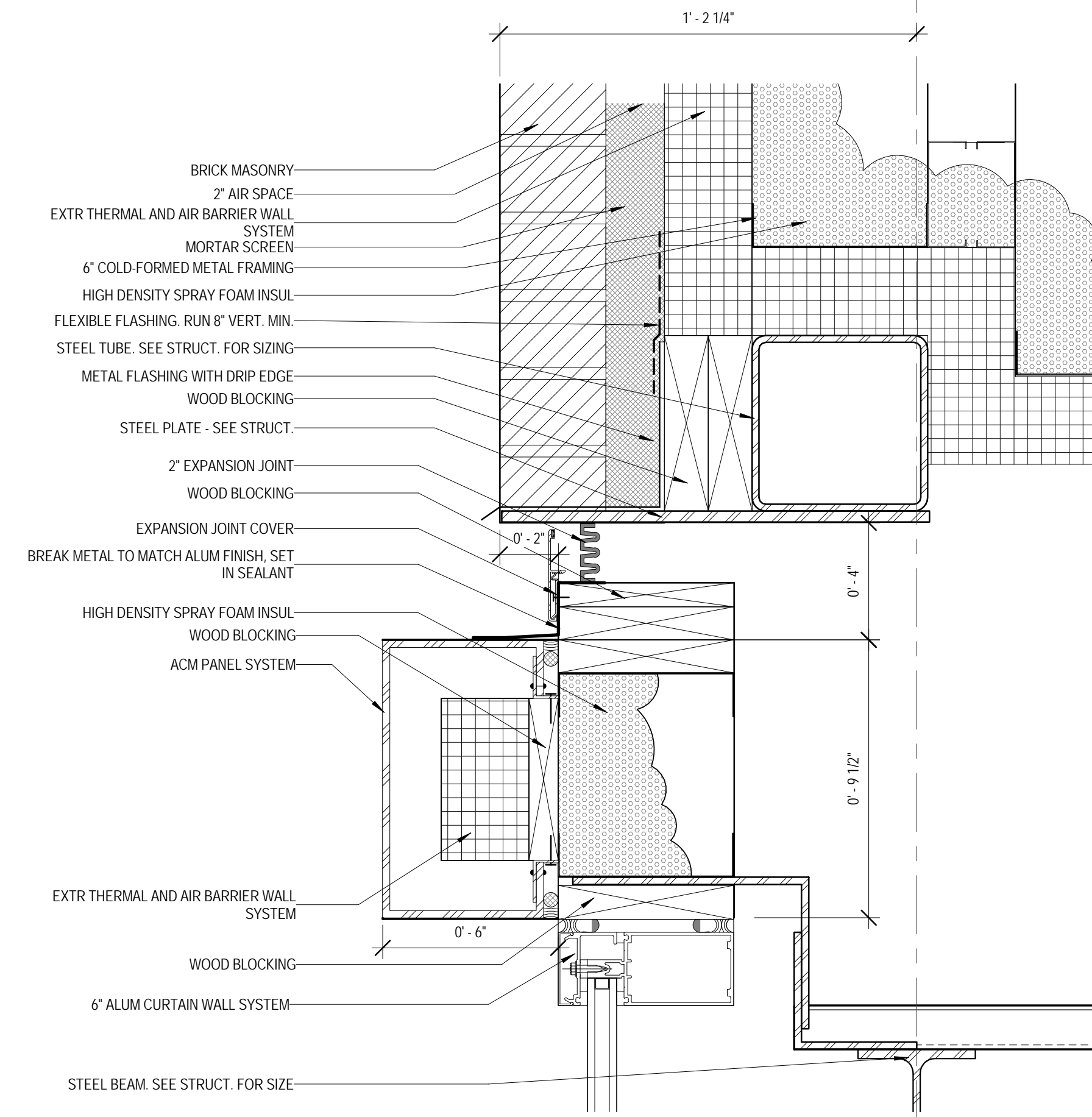
9/18/2015 9:28:37 AM



1 ALT BID 1 - ROOF DETAIL
 3" = 1'-0"



2 ALT. BID 1 - SECTION DETAIL
 3" = 1'-0"



3 ALT. BID 1 - SECTION DETAIL
 3" = 1'-0"

**ALTERNATE BID #1 IS NOT
 IN CONTRACT**



ARCHITECT OF RECORD
DEMIONA KEMPER ARCHITECTS
 125 N. HALSTED STREET, SUITE 301
 CHICAGO, IL 60661
 P: 312.496.0000

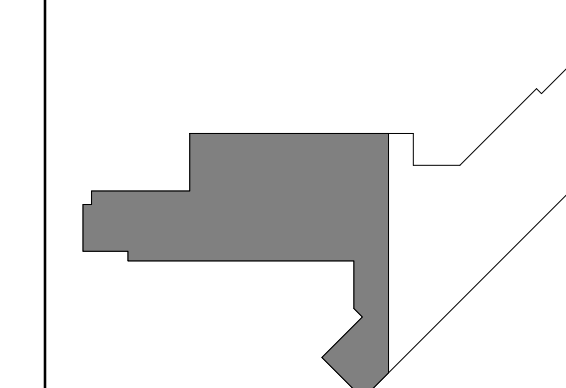
STRUCTURAL AND MEP/PF ENGINEERING
KJWW ENGINEERING CONSULTANTS
 1100 WARRENVILLE RD. SUITE
 400W NAPERVILLE, IL 60563
 P: 630.527.2320

FOOD SERVICE CONSULTANT
CINI LITTLE INTERNATIONAL, INC.
 200 E. HOWARD AVE. SUITE 212
 DES PLAINES, IL 60018
 P: 847.298.0088

CONSTRUCTION MANAGER
JOLIET JUNIOR COLLEGE
 1215 HOUBOLT RD.
 JOLIET, IL 60431
 P: 815.280.2212

JOLIET JUNIOR COLLEGE
ROMEORVILLE CAMPUS EXPANSION
 1125 135th ST. ROMEORVILLE, IL 60446
 DKA PROJECT NO: 14-005

KEY PLAN:



SHEET STATUS: 9/21/15

ISSUED FOR CONSTRUCTION

NO.	DESCRIPTION:	DATE:
1		

SHEET TITLE:

LEVEL 1 PLAN - WEST

SHEET NUMBER:

A1.11

9/18/2015 9:28:45 AM

FLOOR PLAN & SECTION SYMBOLS LEGEND:

NOTE: REFER TO M.E.P.F.P. DRAWINGS FOR ADDITIONAL INFORMATION ON MECHANICAL, ELECTRICAL, AND FIRE PROTECTION SYSTEMS

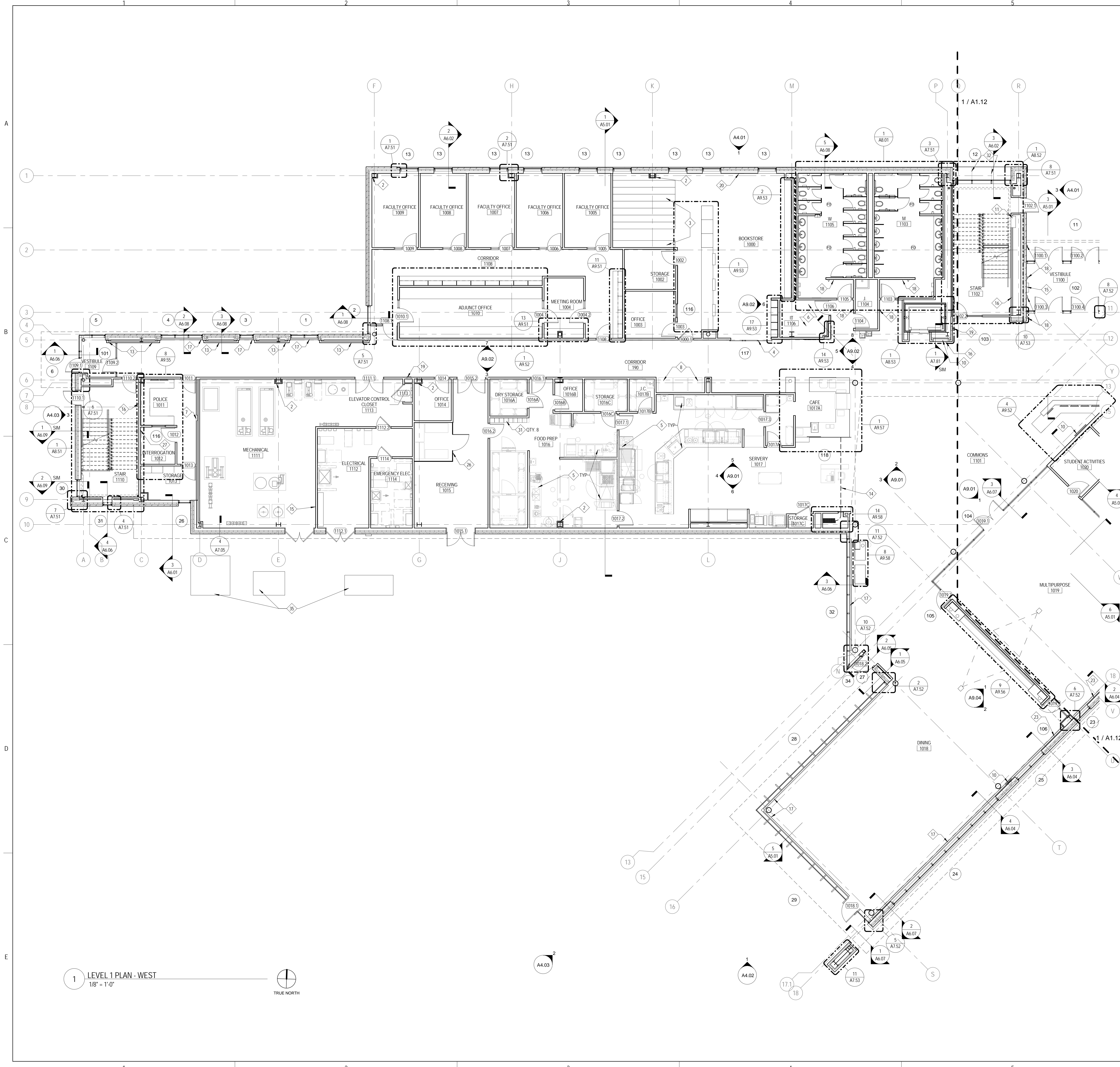
	ROOM NAME
	DOOR / FRAME TAG
	WINDOW TAG - REFER TO WINDOW ELEVATION SHEETS
	PARTITION TYPE
	PARTITION MODIFIERS - REFER TO A10.01
	PLAN AND SECTION DETAIL CALLOUT
	SECTION CALLOUT
	ELEVATION CALLOUT
	DATUM TAG
	DISPLAY BOARD TYPE
	SIZE
	NEW WORK REFERENCED NOTES
	CASEWORK TAG
	EQUIPMENT TAG
	WALL MOUNTED PROJECTION SCREEN - C.F.C.I. UNLESS NOTED OTHERWISE
	CEILING MOUNTED PROJECTOR - O.F.C.I.

FLOOR PLAN GENERAL NOTES:

- FINISH FLOOR ELEVATION OF 0'-0" - 6"18" USGS
- ELEVATIONS SHOWN ON ARCHITECTURAL DRAWINGS ARE RELATIVE TO FIRST FLOOR FINISH ELEVATION OF 0'-0". REFER TO CIVIL DRAWINGS FOR COORDINATING USGS ELEVATION.
- REFER TO CODE PLANS ON SHEET A0.10 FOR FIRE RATINGS AND AREA SEPARATION LOCATIONS FOR WALLS, ENCLOSURES, OPENINGS, ETC.
- DO NOT SCALE DRAWINGS
- NOTIFY ARCHITECT OF ANY DISCREPANCIES IN THE DOCUMENTS PRIOR TO WORK COMMENCING
- NOTES ON DRAWINGS SHALL APPLY TO ALL SIMILAR CONDITIONS WHETHER THEY ARE REPEATED OR NOT
- THE CONTRACTOR SHALL BE RESPONSIBLE FOR THE VERIFICATION OF EXISTING CONDITIONS AND IN-FIELD DIMENSIONS PRIOR TO COMMENCING WORK
- ALL INTERIOR DIMENSIONS ARE TO FACE OF FINISHED WALL UNLESS NOTED OTHERWISE
- PROVIDE ACCESS PANELS AT LOCATIONS INDICATED AND AS REQUIRED FOR ACCESS TO EQUIPMENT AND DEVICES INCLUDING, BUT NOT LIMITED TO, MECHANICAL, PLUMBING AND ELECTRICAL WORK. PAINT ACCESS PANELS TO MATCH ADJACENT WALL OR CEILING FINISH
- REFER TO A10.01 FOR PARTITION SCHEDULE. ALL INTERIOR PARTITIONS SHALL BE TYPE STA. UNDO. ALL GYP BD COLUMN ENCLOSURES SHALL BE TYPE S2C. UNDO.
- REFER TO EXTERIOR ELEVATIONS, SECTIONS AND DETAILS FOR CONSTRUCTION OF EXTERIOR WALLS
- PROVIDE IN-WALL BLOCKING FOR ALL WALL MOUNTED EQUIPMENT NOTED THROUGHOUT DRAWINGS
- CASEWORK AND EQUIPMENT MAY BE SHOWN AS HALFTONE ON DIMENSION PLANS FOR CLARITY

FLOOR PLAN REFERENCED NOTES:

- GLASS GUARDRAIL SYSTEM REFER TO DETAIL FOR MORE INFORMATION
- GYP BD COLUMN ENCLOSURE - PARTITIONS TYPE S2C TYP. REFER TO DIMENSION PLANS FOR OUTSIDE DIMENSIONS
- HIGH DENSITY SHELVING SYSTEM. COORDINATE RECESS IN SLAB FOR SUPPORT RAILS. REFER TO STRUCTURAL DRAWINGS
- SLIDING GLASS BARN DOOR SYSTEM - REFER TO INTERIOR ELEVATIONS FOR MORE INFORMATION
- FOOD SERVICE EQUIPMENT. REFER TO FOOD SERVICE DRAWINGS
- ALL WALLS THIS ROOM ARE FACED WITH PLYWOOD. REFER TO TECHNOLOGY DWGS FOR MORE INFORMATION
- RECESSED GUN CABINET
- VENDING MACHINES, N.I.C.
- PLASTIC LAMINATE, 3-HIGH LOCKERS
- FLAT PANEL MONITOR - O.F.C.I. REFER TO INTERIOR ELEVATIONS FOR LOCATIONS. IF WALL IS NOT ELEVATED, CENTER MONITOR ON WALL AND MOUNT AT 5'-0" A.F.F.
- RECESSED CABINET UNIT HEATER - REFER TO MECHANICAL DRAWINGS
- PROVIDE BLOCKING IN WALL FOR OWNER FURNISHED, OWNER INSTALLED EVAC CHAIR. COORDINATE EXTENTS AND LOCATION WITH ARCHITECT
- LEVEL 5 DRYWALL FINISH THIS WALL
- SECURITY GATE TRACK ABOVE
- FIRE ALARM ANNUNCIATOR PANEL
- CODE BLUE STATION - SEE TECHNOLOGY DWGS
- FIN TUBE RADIATOR BELOW. REFER TO MECHANICAL DRAWINGS
- WALL MOUNTED ADA DOOR OPERATOR PUSH PAD
- RECESSED FIRE EXTINGUISHER CABINET
- WALL MOUNTED, 24" X 12" MIRROR - TA-SA. REFER TO TOILET ACCESSORY SCHEDULE ON A8.01
- PLASTIC LAMINATE, 2-HIGH LOCKERS
- PROVIDE IN-WALL BLOCKING FOR N.I.C. FIRST AID AND SAFETY EQUIPMENT
- WALL MOUNTED LAPTOP CABINET - COORDINATE LOCATION WITH ARCHITECT PRIOR TO INSTALLATION
- WALL MOUNTED GAS SHUT OFF BUTTON - REFER TO MECHANICAL DWGS
- NOT USED
- CHAIN LINK FENCE CAGE - EXTEND FENCING 10'-0" A.F.F.
- 4" AFF IN WALL BLOCKING AND HANDCUFF RING
- THIS WALL AND DOOR ARE PROVIDED AT BASE BID ONLY. REMOVED AT ALT. BID #1. SEE SHEET A1.03
- PLATED STEEL COLUMN. SEE STRUCTURAL
- COORDINATE LOCATION OF WALL RECESS WITH CEILING TERMINATION - REFER TO RCP
- METAL, 2-HIGH LOCKERS
- JUNTS IN STONE SILL ALIGN WITH MULLIONS. REFER TO WALL SECTION FOR MORE INFORMATION
- LINE OF SOFFIT BELOW. REFER TO RCP FOR MORE INFORMATION
- ALIGN FACE OF COLUMN ENCLOSURE WITH WINDOW JAMB
- TRANSFORMER, GENERATOR, AND REMOTE REFRIGERATION RACK. REFER TO ELECTRICAL, FOOD SERVICE AND MECHANICAL DRAWINGS



1 LEVEL 1 PLAN - WEST
 1/8" = 1'-0"





ARCHITECT OF RECORD
DEMONICA KEMPER ARCHITECTS
 125 N. HALSTED STREET, SUITE 301
 CHICAGO, IL 60661
 P: 312.496.0000

STRUCTURAL AND MEP/FP ENGINEERING
KJWW ENGINEERING CONSULTANTS
 1100 WARRENVILLE RD. SUITE
 400W NAPERVILLE, IL 60563
 P: 630.527.2320

FOOD SERVICE CONSULTANT
CINI LITTLE INTERNATIONAL, INC.
 200 E. HOWARD AVE. SUITE 212
 DES PLAINES, IL 60018
 P: 847.298.0088

CONSTRUCTION MANAGER
JOLIET JUNIOR COLLEGE
 1215 HOUBOLT RD.
 JOLIET, IL 60431
 P: 815.280.2212

JOLIET JUNIOR COLLEGE
ROMEORVILLE CAMPUS EXPANSION
 1125 135th ST. ROMEORVILLE, IL 60446
 DKA PROJECT NO: 14-005

FLOOR PLAN & SECTION SYMBOLS LEGEND:

NOTE: REFER TO M.E.P.F.P. DRAWINGS FOR ADDITIONAL INFORMATION ON MECHANICAL, ELECTRICAL, AND FIRE PROTECTION SYSTEMS

	ROOM NAME
	DOOR / FRAME TAG
	WINDOW TAG - REFER TO WINDOW ELEVATION SHEETS
	PARTITION TYPE
	PARTITION MODIFIERS - REFER TO A10.01
	PLAN AND SECTION DETAIL CALLOUT
	SECTION CALLOUT
	ELEVATION CALLOUT
	DATUM TAG
	DISPLAY BOARD TYPE
	SIZE
	NEW WORK REFERENCED NOTES
	CASEWORK TAG
	EQUIPMENT TAG
	WALL MOUNTED PROJECTION SCREEN - C.F.C.I. UNLESS NOTED OTHERWISE
	CEILING MOUNTED PROJECTOR - O.F.C.I.

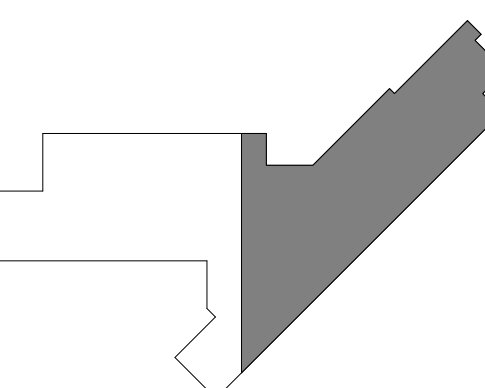
FLOOR PLAN GENERAL NOTES:

1. FINISH FLOOR ELEVATION OF 0'-0" = 61'8" USGS
2. ELEVATIONS SHOWN ON ARCHITECTURAL DRAWINGS ARE RELATIVE TO FIRST FLOOR FINISH ELEVATION OF 0'-0". REFER TO CIVIL DRAWINGS FOR COORDINATING USGS ELEVATION.
3. REFER TO CODE PLANS ON SHEET A0.10 FOR FIRE RATINGS AND AREA SEPARATION LOCATIONS FOR WALLS, ENCLOSURES, OPENINGS, ETC.
4. DO NOT SCALE DRAWINGS.
5. NOTIFY ARCHITECT OF ANY DISCREPANCIES IN THE DOCUMENTS PRIOR TO WORK COMMENCING.
6. NOTES ON DRAWINGS SHALL APPLY TO ALL SIMILAR CONDITIONS WHETHER THEY ARE REPEATED OR NOT.
7. THE CONTRACTOR SHALL BE RESPONSIBLE FOR THE VERIFICATION OF EXISTING CONDITIONS AND IN-FIELD DIMENSIONS PRIOR TO COMMENCING WORK.
8. ALL INTERIOR DIMENSIONS ARE TO FACE OF FINISHED WALL UNLESS NOTED OTHERWISE.
9. PROVIDE ACCESS PANELS AT LOCATIONS INDICATED AND AS REQUIRED FOR ACCESS TO EQUIPMENT AND DEVICES INCLUDING, BUT NOT LIMITED TO, MECHANICAL, PLUMBING AND ELECTRICAL WORK. PAINT ACCESS PANELS TO MATCH ADJACENT WALL OR CEILING FINISH.
10. REFER TO A10.01 FOR PARTITION SCHEDULE. ALL INTERIOR PARTITIONS SHALL BE TYPE SIA UNLESS NOTED OTHERWISE.
11. REFER TO EXTERIOR ELEVATIONS, SECTIONS AND DETAILS FOR CONSTRUCTION OF EXTERIOR WALLS.
12. PROVIDE IN-WALL BLOCKING FOR ALL WALL MOUNTED EQUIPMENT NOTED THROUGHOUT DRAWINGS.
13. CASEWORK AND EQUIPMENT MAY BE SHOWN AS HALFTONE ON DIMENSION PLANS FOR CLARITY.

FLOOR PLAN REFERENCED NOTES:

1. GLASS GUARDRAIL SYSTEM - REFER TO DETAIL FOR MORE INFORMATION.
2. GYP BD COLUMN ENCLOSURE - PARTITIONS TYPE S2C TYP. REFER TO DIMENSION PLANS FOR OUTSIDE DIMENSIONS.
3. HIGH DENSITY SHELVING SYSTEM. COORDINATE RECESS IN SLAB FOR SUPPORT RAILS. REFER TO STRUCTURAL DRAWINGS.
4. SLIDING GLASS BARN DOOR SYSTEM - REFER TO INTERIOR ELEVATIONS FOR MORE INFORMATION.
5. FOOD SERVICE EQUIPMENT - REFER TO FOOD SERVICE DRAWINGS.
6. ALL WALLS THIS ROOM ARE FACED WITH PLYWOOD. REFER TO TECHNOLOGY DWGS FOR MORE INFORMATION.
7. RECESSED GUN CABINET
8. WELDING MACHINES, N.I.C.
9. PLASTIC LAMINATE, 3-HIGH LOCKERS
10. FLAT PANEL MONITOR - O.F.C.I. REFER TO INTERIOR ELEVATIONS FOR LOCATIONS. IF WALL IS NOT ELEVATED, CENTER MONITOR ON WALL AND MOUNT AT 5'-0" AFF.
11. RECESSED CABINET UNIT HEATER - REFER TO MECHANICAL DRAWINGS.
12. PROVIDE BLOCKING IN WALL FOR OWNER FURNISHED, OWNER INSTALLED EVAC CHAIR. COORDINATE EXTENTS AND LOCATION WITH ARCHITECT.
13. LEVEL 5 DRYWALL FINISH THIS WALL.
14. SECURITY GATE TRACK ABOVE.
15. FIRE ALARM PULLSTATION PANEL.
16. CODE BLUE STATION - SEE TECHNOLOGY DWGS.
17. FIN TUBE RADIATOR BELOW. REFER TO MECHANICAL DRAWINGS.
18. WALL MOUNTED ADA DOOR OPERATOR PUSH PAD.
19. RECESSED FIRE EXTINGUISHER CABINET.
20. WALL MOUNTED 24" X 12" MIRROR - TA-SA. REFER TO TOILET ACCESSORY SCHEDULE ON A8.01.
21. PLASTIC LAMINATE, 2-HIGH LOCKERS.
22. PROVIDE IN-WALL BLOCKING FOR N.I.C. FIRST AID AND SAFETY EQUIPMENT.
23. WALL MOUNTED LAPTOP CABINET - COORDINATE LOCATION WITH ARCHITECT PRIOR TO INSTALLATION.
24. WALL MOUNTED GAS SHUT OFF BUTTON - REFER TO MECHANICAL DWGS.
25. NOT USED.
26. CHAIN LINK FENCE GATE - EXTEND FENCING 10'-0" AFF.
27. 18" AFF IN WALL BLOCKING AND HANDCUFF RING.
28. THIS WALL AND DOOR ARE PROVIDED AT BASE BID ONLY. REMOVED AT ALT. BID #1. SEE SHEET A1.03.
29. PLATED STEEL COLUMN. SEE STRUCTURAL.
30. COORDINATE LOCATION OF WALL RECESS WITH CEILING TERMINATION - REFER TO RCP.
31. METAL, 2-HIGH LOCKERS.
32. JOINTS IN STONE SILL ALIGN WITH MULLIONS. REFER TO WALL SECTION FOR MORE INFORMATION.
33. LINE OF SOFFIT BELOW. REFER TO RCP FOR MORE INFORMATION.
34. ALIGN FACE OF COLUMN ENCLOSURE WITH WINDOW JAMB.
35. TRANSFORMER, GENERATOR, AND REMOTE REFRIGERATION RACK. REFER TO ELECTRICAL, FOOD SERVICE AND MECHANICAL DRAWINGS.

KEY PLAN:



SHEET STATUS: 9/21/15

ISSUED FOR CONSTRUCTION

NO.	DESCRIPTION:	DATE:

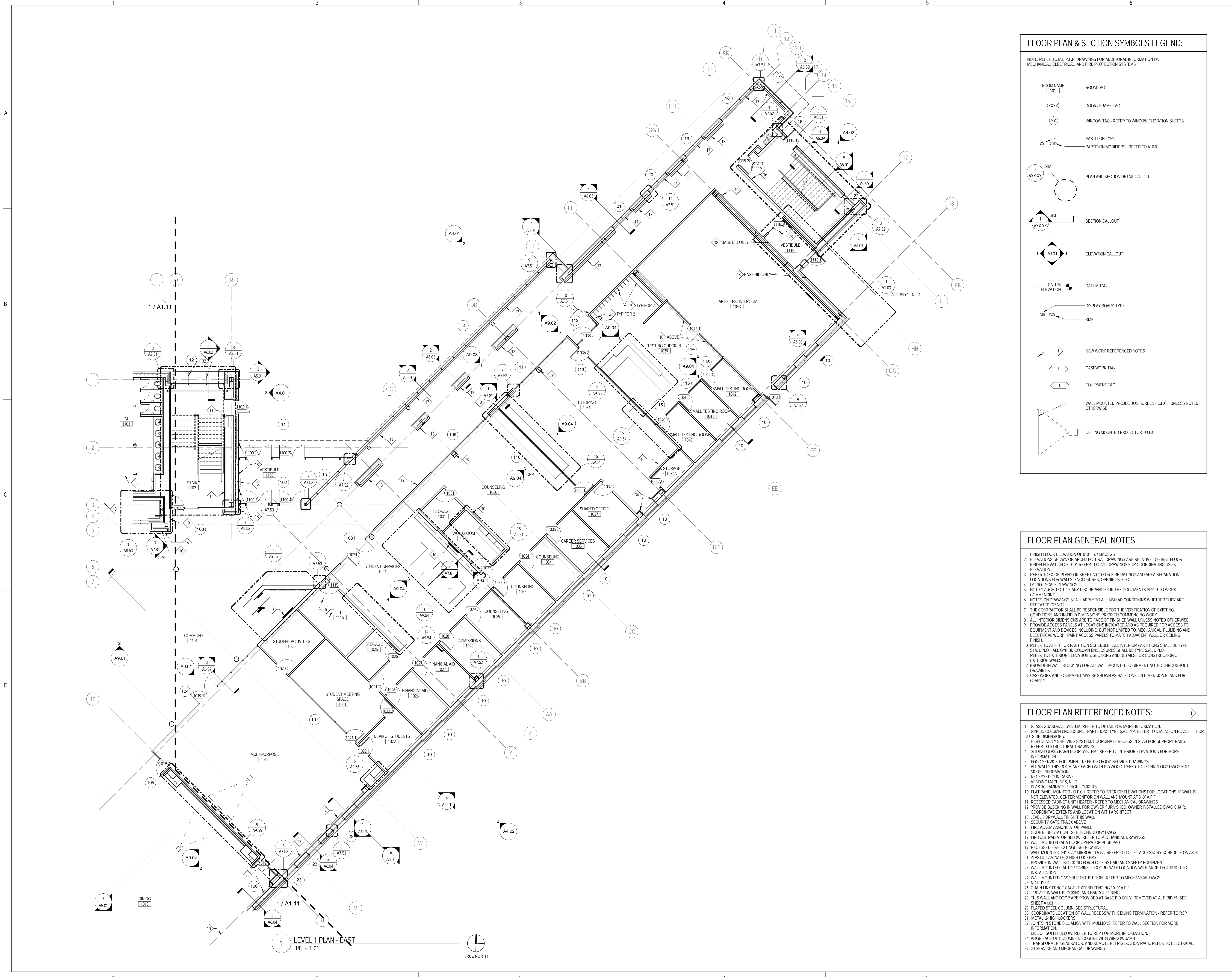
SHEET TITLE:

LEVEL 1 PLAN - EAST

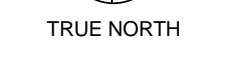
SHEET NUMBER:

A1.12

9/18/2015 9:28:51 AM



LEVEL 1 PLAN - EAST
 1/8" = 1'-0"





ARCHITECT OF RECORD
DEMIONA KEMPER ARCHITECTS
 125 N. HALSTED STREET, SUITE 301
 CHICAGO, IL 60661
 P: 312.496.0000

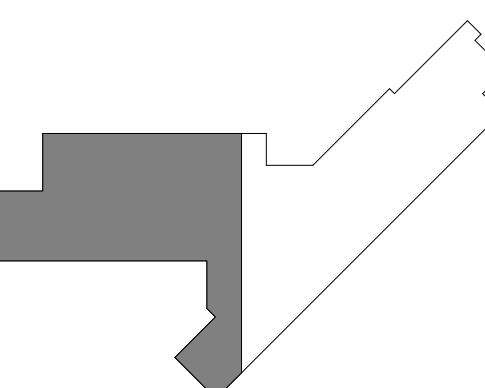
STRUCTURAL AND MEP/PFP ENGINEERING
KJWW ENGINEERING CONSULTANTS
 1100 WARRENVILLE RD. SUITE
 400W NAPERVILLE, IL 60563
 P: 630.527.2320

FOOD SERVICE CONSULTANT
CINI LITTLE INTERNATIONAL, INC.
 200 E. HOWARD AVE. SUITE 212
 DES PLAINES, IL 60018
 P: 847.298.0088

CONSTRUCTION MANAGER
JOLIET JUNIOR COLLEGE
 1215 HOUBOLT RD.
 JOLIET, IL 60431
 P: 815.280.2212

JOLIET JUNIOR COLLEGE
ROMEORVILLE CAMPUS EXPANSION
 1125 135th ST. ROMEORVILLE, IL 60446
 DKA PROJECT NO: 14-005

KEY PLAN:



SHEET STATUS: 9/21/15

ISSUED FOR CONSTRUCTION

NO.	DESCRIPTION:	DATE:

SHEET TITLE:
LEVEL 2 PLAN - WEST

SHEET NUMBER:

A1.21

9/18/2015 9:28:59 AM

FLOOR PLAN & SECTION SYMBOLS LEGEND:

NOTE: REFER TO M.E.P.F.P. DRAWINGS FOR ADDITIONAL INFORMATION ON MECHANICAL, ELECTRICAL, AND FIRE PROTECTION SYSTEMS

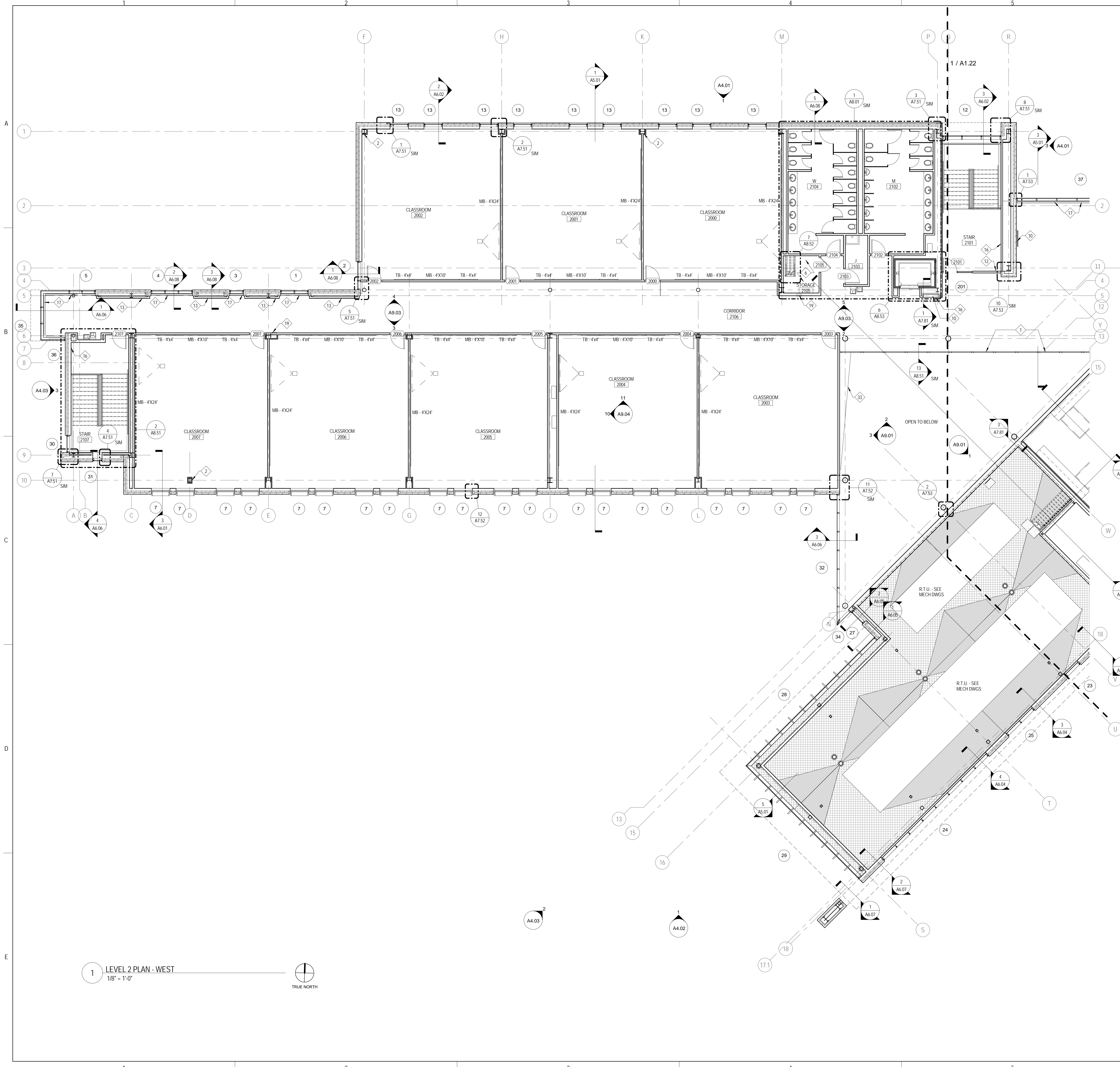
	ROOM NAME		ROOM TAG
	DOOR / FRAME TAG		WINDOW TAG - REFER TO WINDOW ELEVATION SHEETS
	PARTITION TYPE		PARTITION MODIFIERS - REFER TO A10.01
	PLAN AND SECTION DETAIL CALLOUT		SECTION CALLOUT
	ELEVATION CALLOUT		DATUM TAG
	DISPLAY BOARD TYPE		SIZE
	NEW WORK REFERENCED NOTES		CASEWORK TAG
	EQUIPMENT TAG		WALL MOUNTED PROJECTION SCREEN - C.F.C.I. UNLESS NOTED OTHERWISE
	CEILING MOUNTED PROJECTOR - O.F.C.I.		

FLOOR PLAN GENERAL NOTES:

- FINISH FLOOR ELEVATION OF 0'-0" = 671.8" USGS
- ELEVATIONS SHOWN ON ARCHITECTURAL DRAWINGS ARE RELATIVE TO FIRST FLOOR FINISH ELEVATION OF 0'-0". REFER TO CIVIL DRAWINGS FOR COORDINATING USGS ELEVATION.
- REFER TO CODE PLANS ON SHEET A0.10 FOR FIRE RATINGS AND AREA SEPARATION LOCATIONS FOR WALLS, ENCLOSURES, OPENINGS, ETC.
- DO NOT SCALE DRAWINGS.
- NOTIFY ARCHITECT OF ANY DISCREPANCIES IN THE DOCUMENTS PRIOR TO WORK COMMENCING.
- NOTES ON DRAWINGS SHALL APPLY TO ALL SIMILAR CONDITIONS WHETHER THEY ARE REPEATED OR NOT.
- THE CONTRACTOR SHALL BE RESPONSIBLE FOR THE VERIFICATION OF EXISTING CONDITIONS AND IN-FIELD DIMENSIONS PRIOR TO COMMENCING WORK.
- ALL INTERIOR DIMENSIONS ARE TO FACE OF FINISHED WALL UNLESS NOTED OTHERWISE. PROVIDE ACCESS PANELS AT LOCATIONS INDICATED AND AS REQUIRED FOR ACCESS TO EQUIPMENT AND DEVICES INCLUDING, BUT NOT LIMITED TO, MECHANICAL, PLUMBING AND ELECTRICAL WORK. PAINT ACCESS PANELS TO MATCH ADJACENT WALL OR CEILING FINISH.
- REFER TO A10.01 FOR PARTITION SCHEDULE. ALL INTERIOR PARTITIONS SHALL BE TYPE STA, U.N.O. ALL GYP BD COLUMN ENCLOSURES SHALL BE TYPE SZC, U.N.O.
- REFER TO EXTERIOR ELEVATIONS, SECTIONS AND DETAILS FOR CONSTRUCTION OF EXTERIOR WALLS.
- PROVIDE IN WALL BLOCKING FOR ALL WALL MOUNTED EQUIPMENT NOTED THROUGHOUT DRAWINGS.
- CASEWORK AND EQUIPMENT MAY BE SHOWN AS HALFTONE ON DIMENSION PLANS FOR CLARITY.

FLOOR PLAN REFERENCED NOTES:

- GLASS GUARDRAIL SYSTEM. REFER TO DETAIL FOR MORE INFORMATION.
- GYP BD COLUMN ENCLOSURE - PARTITIONS TYPE SZC TYP. REFER TO DIMENSION PLANS FOR OUTSIDE DIMENSIONS.
- HIGH DENSITY SHELVING SYSTEM. COORDINATE RECESS IN SLAB FOR SUPPORT RAILS. REFER TO STRUCTURAL DRAWINGS.
- SLIDING GLASS BARN DOOR SYSTEM - REFER TO INTERIOR ELEVATIONS FOR MORE INFORMATION.
- FOOD SERVICE EQUIPMENT. REFER TO FOOD SERVICE DRAWINGS.
- ALL WALLS THIS ROOM ARE FACED WITH PLYWOOD. REFER TO TECHNOLOGY DWGS FOR MORE INFORMATION.
- RECESSED GUN CABINET
- VENDING MACHINES, N.I.C.
- PLASTIC LAMINATE, 3/4" HIGH LOCKERS
- FLAT PANEL MONITOR - O.F.C.I. REFER TO INTERIOR ELEVATIONS FOR LOCATIONS. IF WALL IS NOT ELEVATED, CENTER MONITOR ON WALL AND MOUNT AT 5'-0" AFF.
- RECESSED CABINET UNIT HEATER. REFER TO MECHANICAL DRAWINGS
- PROVIDE BLOCKING IN WALL FOR OWNER FURNISHED, OWNER INSTALLED EVAC CHAIR. COORDINATE EXTENTS AND LOCATION WITH ARCHITECT.
- LEVEL 3 BRYWALL FINISH THIS WALL
- SECURITY GATE TRACK ABOVE
- FIRE ALARM AMBULICATOR PANEL
- CODE BLUE STATION. SEE TECHNOLOGY DWGS
- FIN TUBE RADIATOR BELOW. REFER TO MECHANICAL DRAWINGS
- WALL MOUNTED ADA DOOR OPERATOR PUSH PAD
- RECESSED FIRE EXTINGUISHER CABINET
- WALL MOUNTED, 24" X 12" MIRROR - TA-SA. REFER TO TOILET ACCESSORY SCHEDULE ON A8.01.
- PLASTIC LAMINATE, 2" HIGH LOCKERS
- PLASTIC LAMINATE, 2" HIGH LOCKERS
- 24" AFF IN WALL BLOCKING FOR N.I.C. FIRST AID AND SAFETY EQUIPMENT
- WALL MOUNTED LAPTOP CABINET - COORDINATE LOCATION WITH ARCHITECT PRIOR TO INSTALLATION
- WALL MOUNTED GAS SHUT OFF BUTTON - REFER TO MECHANICAL DWGS
- NOT USED
- CHAIN LINK FENCE CAGE - EXTEND FENCING 10'-0" AFF.
- 18" AFF IN WALL BLOCKING AND HANDCUFF RING
- THIS WALL AND DOOR ARE PROVIDED AT BASE BID ONLY. REMOVED AT ALT. BID #1. SEE SHEET A103
- PLATED STEEL COLUMN. SEE STRUCTURAL
- COORDINATE LOCATION OF WALL RECESS WITH CEILING TERMINATION - REFER TO RCP
- METAL, 2" HIGH LOCKERS
- JOINTS IN STONE SILL ALIGN WITH MULLIONS. REFER TO WALL SECTION FOR MORE INFORMATION
- LINE OF SLOTT BELOW. REFER TO RCP FOR MORE INFORMATION
- ALIGN FACE OF COLUMN ENCLOSURE WITH WINDOW JAMB
- TRANSFORMER, GENERATOR, AND REMOTE REFRIGERATION RACK. REFER TO ELECTRICAL, FOOD SERVICE AND MECHANICAL DRAWINGS



1 LEVEL 2 PLAN - WEST
 1/8" = 1'-0"





ARCHITECT OF RECORD
DEMONICA KEMPER ARCHITECTS
 125 N. HALSTED STREET, SUITE 301
 CHICAGO, IL 60661
 P: 312.496.0000

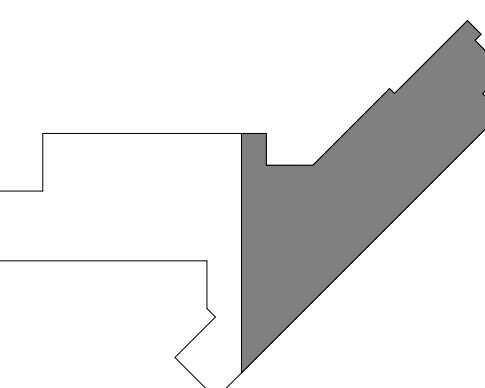
STRUCTURAL AND MEP/PFP ENGINEERING
KJWW ENGINEERING CONSULTANTS
 1100 WARRENVILLE RD. SUITE
 400W NAPERVILLE, IL 60563
 P: 630.527.2320

FOOD SERVICE CONSULTANT
CINI LITTLE INTERNATIONAL, INC.
 200 E. HOWARD AVE. SUITE 212
 DES PLAINES, IL 60018
 P: 847.298.0088

CONSTRUCTION MANAGER
JOLIET JUNIOR COLLEGE
 1215 HOUBOLT RD.
 JOLIET, IL 60431
 P: 815.280.2212

JOLIET JUNIOR COLLEGE
ROMEORVILLE CAMPUS EXPANSION
 1125 135th ST. ROMEORVILLE, IL 60446
 DKA PROJECT NO: 14-005

KEY PLAN:



SHEET STATUS: 9/21/15

ISSUED FOR CONSTRUCTION

NO.	DESCRIPTION:	DATE:

SHEET TITLE:

LEVEL 2 PLAN - EAST

SHEET NUMBER:

A1.22

9/18/2015 9:29:06 AM

FLOOR PLAN & SECTION SYMBOLS LEGEND:

NOTE: REFER TO M.E.P.P. DRAWINGS FOR ADDITIONAL INFORMATION ON MECHANICAL, ELECTRICAL, AND FIRE PROTECTION SYSTEMS

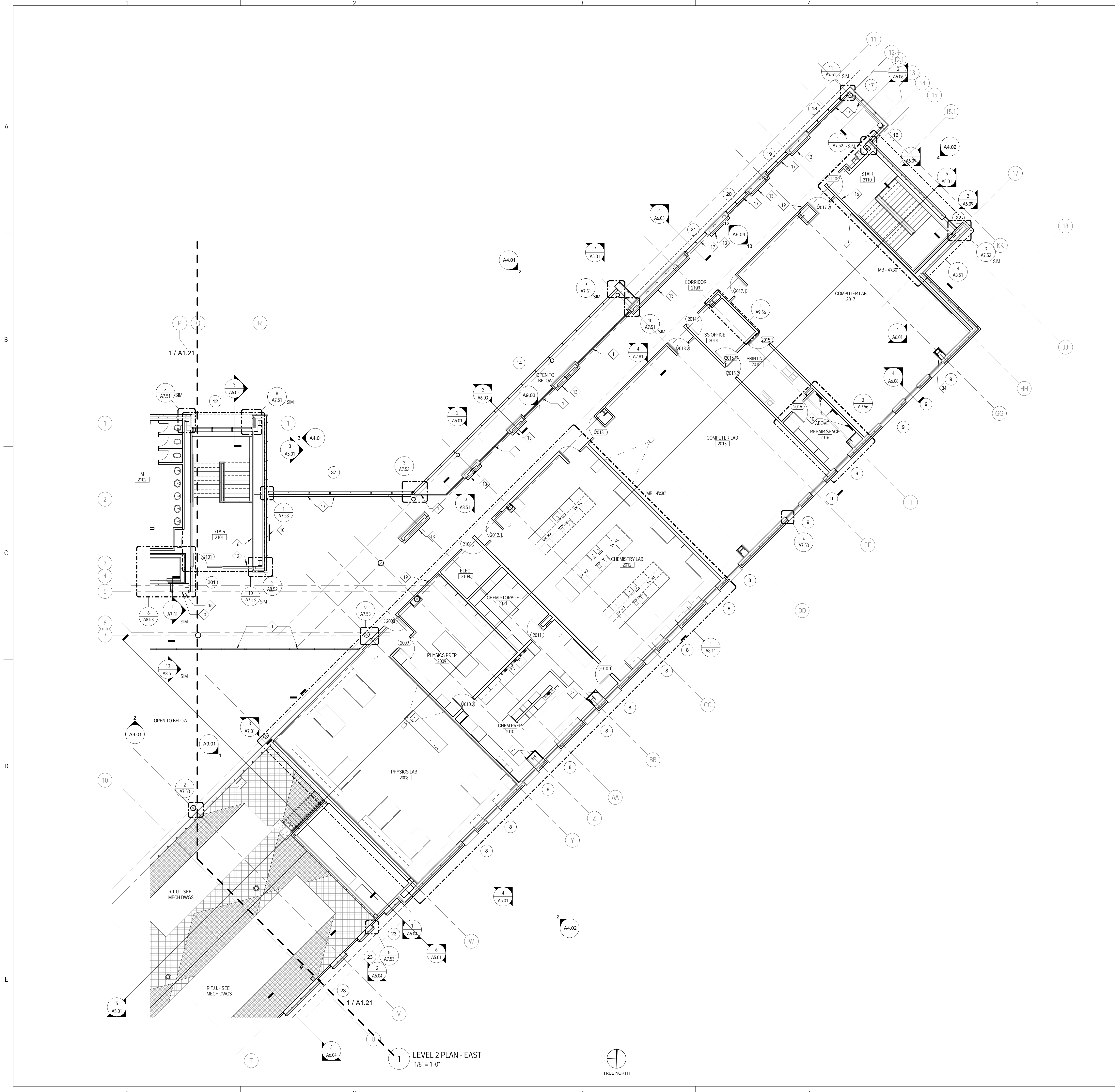
	ROOM NAME	ROOM TAG
	DOOR / FRAME TAG	
	WINDOW TAG - REFER TO WINDOW ELEVATION SHEETS	
	PARTITION TYPE	
	PARTITION MODIFIERS - REFER TO A10.01	
	PLAN AND SECTION DETAIL CALLOUT	
	SECTION CALLOUT	
	ELEVATION CALLOUT	
	DATUM TAG	
	DISPLAY BOARD TYPE	
	SIZE	
	NEW WORK REFERENCED NOTES	
	CASEWORK TAG	
	EQUIPMENT TAG	
	WALL MOUNTED PROJECTION SCREEN - C.F.C.I. UNLESS NOTED OTHERWISE	
	CEILING MOUNTED PROJECTOR - O.F.C.I.	

FLOOR PLAN GENERAL NOTES:

- FINISH FLOOR ELEVATION OF 0'-0" = 671.8 USGS
- ELEVATIONS SHOWN ON ARCHITECTURAL DRAWINGS ARE RELATIVE TO FIRST FLOOR FINISH ELEVATION OF 0'-0". REFER TO CIVIL DRAWINGS FOR COORDINATING USGS ELEVATION.
- REFER TO CODE PLANS ON SHEET AD.10 FOR FIRE RATINGS AND AREA SEPARATION LOCATIONS FOR WALLS, ENCLOSURES, OPENINGS, ETC.
- DO NOT SCALE DRAWINGS.
- NOTIFY ARCHITECT OF ANY DISCREPANCIES IN THE DOCUMENTS PRIOR TO WORK COMMENCING.
- NOTES ON DRAWINGS SHALL APPLY TO ALL SIMILAR CONDITIONS WHETHER THEY ARE REPEATED OR NOT.
- THE CONTRACTOR SHALL BE RESPONSIBLE FOR THE VERIFICATION OF EXISTING CONDITIONS AND IN-FIELD DIMENSIONS PRIOR TO COMMENCING WORK.
- ALL INTERIOR DIMENSIONS ARE TO FACE OF FINISHED WALL UNLESS NOTED OTHERWISE.
- PROVIDE ACCESS PANELS AT LOCATIONS INDICATED AND AS REQUIRED FOR ACCESS TO EQUIPMENT AND DEVICES INCLUDING, BUT NOT LIMITED TO, MECHANICAL, PLUMBING AND ELECTRICAL WORK. PAINT ACCESS PANELS TO MATCH ADJACENT WALL OR CEILING FINISH.
- REFER TO A10.01 FOR PARTITION SCHEDULE. ALL INTERIOR PARTITIONS SHALL BE TYPE STA. U.N.O. ALL GYP BD COLUMN ENCLOSURES SHALL BE TYPE S2C. U.N.O.
- REFER TO EXTERIOR ELEVATIONS, SECTIONS AND DETAILS FOR CONSTRUCTION OF EXTERIOR WALLS.
- PROVIDE IN WALL BLOCKING FOR ALL WALL MOUNTED EQUIPMENT NOTED THROUGHOUT DRAWINGS.
- CASEWORK AND EQUIPMENT MAY BE SHOWN AS HALFTONE ON DIMENSION PLANS FOR CLARITY.

FLOOR PLAN REFERENCED NOTES:

- GLASS GUARDRAIL SYSTEM. REFER TO DETAIL FOR MORE INFORMATION.
- GYP BD COLUMN ENCLOSURE - PARTITIONS TYPE S2C TYP. REFER TO DIMENSION PLANS FOR OUTSIDE DIMENSIONS.
- HIGH DENSITY SHELVING SYSTEM. COORDINATE RECESS IN SLAB FOR SUPPORT RAILS. REFER TO STRUCTURAL DRAWINGS.
- SLIDING GLASS BARN DOOR SYSTEM - REFER TO INTERIOR ELEVATIONS FOR MORE INFORMATION.
- FOOD SERVICE EQUIPMENT. REFER TO FOOD SERVICE DRAWINGS FOR MORE INFORMATION.
- ALL WALLS THIS ROOM ARE FACED WITH PLYWOOD. REFER TO TECHNOLOGY DWGS FOR MORE INFORMATION.
- RECESSED GUN CABINET
- VENDING MACHINES, ALL C.
- PLASTIC LAMINATE, 3-HIGH LOCKERS
- FLAT PANEL MONITOR - O.F.C.I. REFER TO INTERIOR ELEVATIONS FOR LOCATIONS. IF WALL IS NOT ELEVATED, CENTER MONITOR ON WALL AND MOUNT AT 5'-0" A.F.F.
- RECESSED CABINET UNIT HEATER. REFER TO MECHANICAL DRAWINGS
- PROVIDE BLOCKING IN WALL FOR OWNER FURNISHED, OWNER INSTALLED EVAC CHAIR.
- LEVEL 5 DRYWALL FINISH THIS WALL
- SECURITY GATE TRACK ABOVE
- FIRE ALARM ANNUNCIATOR PANEL
- CORE BLUE STRATION. SEE TECHNOLOGY DWGS
- FIN TUBE RADIATOR BELOW. REFER TO MECHANICAL DRAWINGS
- WALL MOUNTED ADA DOOR OPERATOR PUSH PAD
- RECESSED FIRE EXTINGUISHER CABINET
- WALL MOUNTED, 24" X 72" MIRROR - T.A.S.A. REFER TO TOILET ACCESSORY SCHEDULE ON A8.01.
- PLASTIC LAMINATE, 2-HIGH LOCKERS
- PROVIDE IN WALL BLOCKING FOR N.I.C. FIRST AID AND SAFETY EQUIPMENT
- WALL MOUNTED LAPTOP CABINET - COORDINATE LOCATION WITH ARCHITECT PRIOR TO INSTALLATION
- WALL MOUNTED GAS SHUT OFF BUTTON - REFER TO MECHANICAL DWGS
- NOT USED
- CHAIN LINK FENCE CAGE - EXTEND FENCING 10'-0" A.F.F.
- 1/2" AFF IN WALL BLOCKING AND HANDCUFF RING
- THIS WALL AND DOOR ARE PROVIDED AT BASE BID ONLY. REMOVED AT ALT. BID #1. SEE SHEET A1.03
- PLATED STEEL COLUMN. SEE STRUCTURAL
- COORDINATE LOCATION OF WALL RECESS WITH CEILING TERMINATION - REFER TO RCP
- METAL, 2-HIGH LOCKERS
- JOINTS IN STONE SILL ALIGN WITH MULLIONS. REFER TO WALL SECTION FOR MORE INFORMATION
- LINE OF SOFFIT BELOW. REFER TO RCP FOR MORE INFORMATION
- ALIGN FACE OF COLUMN ENCLOSURE WITH WINDOW JAMB
- TRANSFORMER, GENERATOR, AND REMOTE REFRIGERATION RACK. REFER TO ELECTRICAL, FOOD SERVICE AND MECHANICAL DRAWINGS



LEVEL 2 PLAN - EAST
 1/8" = 1'-0"



ARCHITECT OF RECORD
DEMIONA KEMPER ARCHITECTS
 125 N. HALSTED STREET, SUITE 301
 CHICAGO, IL 60661
 P: 312.496.0000

STRUCTURAL AND MEP/PF ENGINEERING
KJWW ENGINEERING CONSULTANTS
 1100 WARRENVILLE RD. SUITE
 400W NAPERVILLE, IL 60563
 P: 630.527.2320

FOOD SERVICE CONSULTANT
CINI LITTLE INTERNATIONAL, INC.
 200 E. HOWARD AVE. SUITE 212
 DES PLAINES, IL 60018
 P: 847.298.0088

CONSTRUCTION MANAGER
JOLIET JUNIOR COLLEGE
 1215 HOUBOLT RD.
 JOLIET, IL 60431
 P: 815.280.2212

JOLIET JUNIOR COLLEGE
ROMEORVILLE CAMPUS EXPANSION
 1125 135th ST. ROMEORVILLE, IL 60446
 DKA PROJECT NO: 14-005

KEY PLAN:

SHEET STATUS: 9/18/2015

ISSUED FOR CONSTRUCTION

NO.	DESCRIPTION:	DATE:

SHEET TITLE:
LEVEL 1 DIMENSION PLAN - WEST

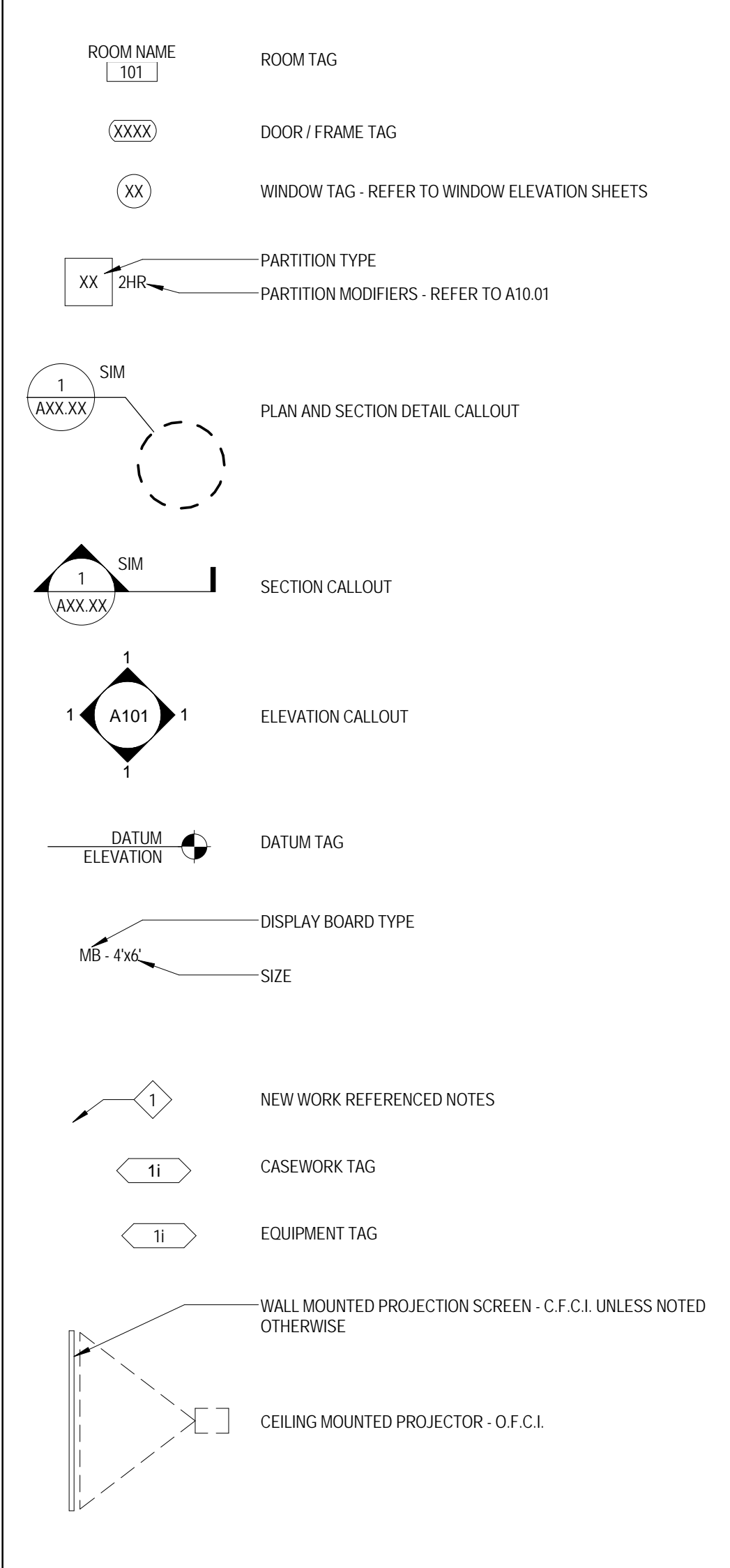
SHEET NUMBER:

A1.31

9/18/2015 9:29:11 AM

FLOOR PLAN & SECTION SYMBOLS LEGEND:

NOTE: REFER TO M.E.P.F. DRAWINGS FOR ADDITIONAL INFORMATION ON MECHANICAL, ELECTRICAL, AND FIRE PROTECTION SYSTEMS.

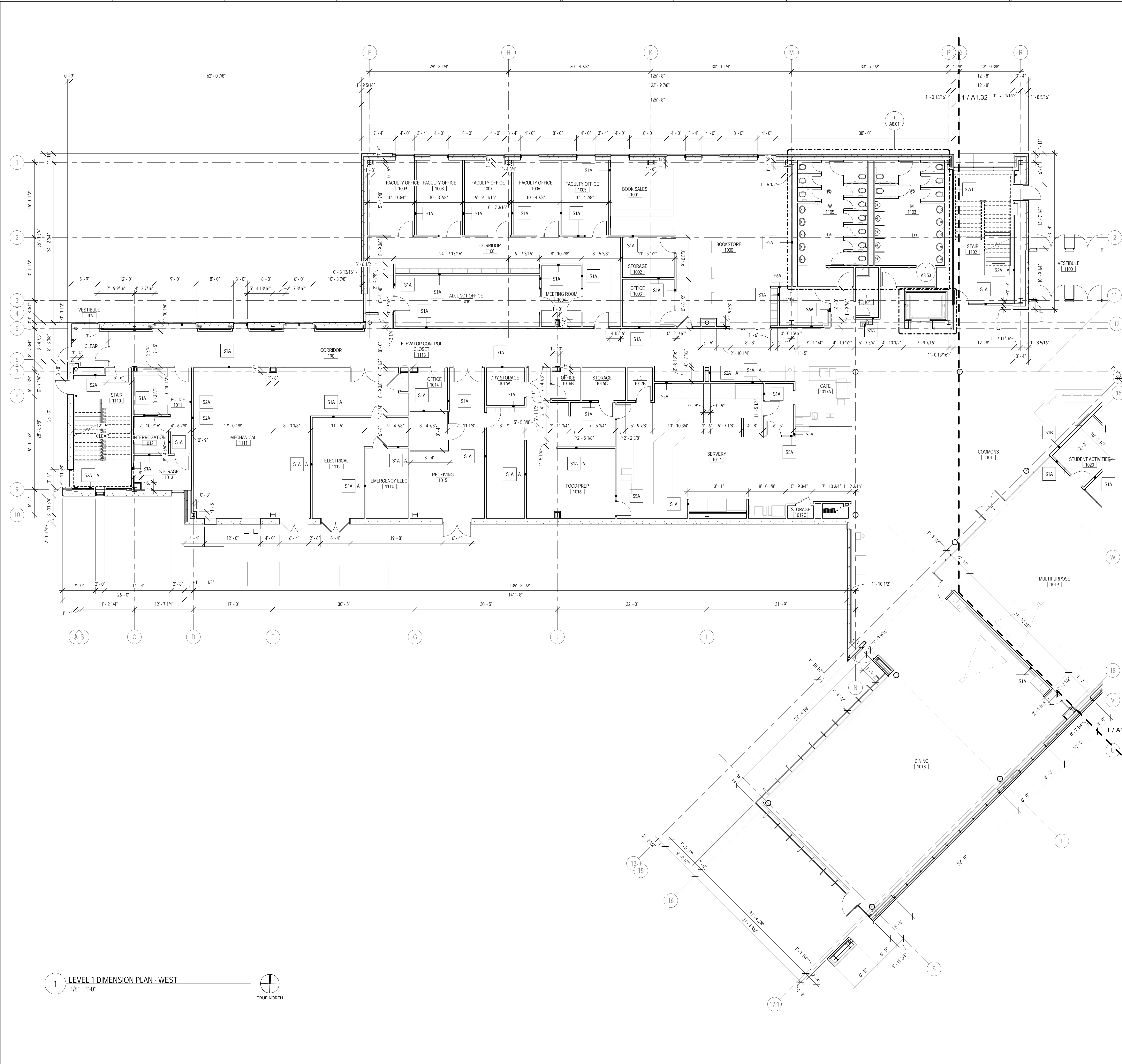


FLOOR PLAN GENERAL NOTES:

1. FINISH FLOOR ELEVATION OF 0'-0" = 671.8' USGS
2. ELEVATIONS SHOWN ON ARCHITECTURAL DRAWINGS ARE RELATIVE TO FIRST FLOOR FINISH ELEVATION OF 0'-0". REFER TO CIVIL DRAWINGS FOR COORDINATING USGS ELEVATION.
3. REFER TO CODE PLANS ON SHEET A6.10 FOR FIRE RATINGS AND AREA SEPARATION LOCATIONS FOR WALLS, ENCLOSURES, OPENINGS, ETC.
4. DO NOT SCALE DRAWINGS.
5. NOTIFY ARCHITECT OF ANY DISCREPANCIES IN THE DOCUMENTS PRIOR TO WORK COMMENCING.
6. NOTES ON DRAWINGS SHALL APPLY TO ALL SIMILAR CONDITIONS WHETHER THEY ARE REPEATED OR NOT.
7. THE CONTRACTOR SHALL BE RESPONSIBLE FOR THE VERIFICATION OF EXISTING CONDITIONS AND IN FIELD DIMENSIONS PRIOR TO COMMENCING WORK.
8. ALL INTERIOR DIMENSIONS ARE TO FACE OF FINISHED WALL UNLESS NOTED OTHERWISE. PROVIDE ACCESS PANELS AT LOCATIONS INDICATED AND AS REQUIRED FOR ACCESS TO EQUIPMENT AND DEVICES INCLUDING, BUT NOT LIMITED TO, MECHANICAL, PLUMBING AND ELECTRICAL WORK. PAINT ACCESS PANELS TO MATCH ADJACENT WALL OR CEILING FINISH.
9. REFER TO A10.01 FOR PARTITION SCHEDULE. ALL INTERIOR PARTITIONS SHALL BE TYPE S1A UNLESS NOTED OTHERWISE. ALL GYP BOARD ENCLOSURES SHALL BE TYPE S2C UNLESS NOTED OTHERWISE.
10. REFER TO EXTERIOR ELEVATIONS, SECTIONS AND DETAILS FOR CONSTRUCTION OF EXTERIOR WALLS.
11. PROVIDE IN WALL BLOCKING FOR ALL WALL MOUNTED EQUIPMENT NOTED THROUGHOUT DRAWINGS.
12. CASEWORK AND EQUIPMENT MAY BE SHOWN AS HALFTONE ON DIMENSION PLANS FOR CLARITY.

FLOOR PLAN REFERENCED NOTES:

1. GLASS GUARDRAIL SYSTEM - REFER TO DETAIL FOR MORE INFORMATION.
2. GYP BOARD ENCLOSURE - PARTITIONS TYPE S2C TYP. REFER TO DIMENSION PLANS FOR OUTSIDE DIMENSIONS.
3. HIGH DENSITY SHELVING SYSTEM - COORDINATE RECESS IN SLAB FOR SUPPORT RAILS. REFER TO STRUCTURAL DRAWINGS.
4. SLIDING GLASS BARN DOOR SYSTEM - REFER TO INTERIOR ELEVATIONS FOR MORE INFORMATION.
5. FOOD SERVICE EQUIPMENT - REFER TO FOOD SERVICE DRAWINGS.
6. ALL WALLS THIS ROOM ARE FACED WITH PLYWOOD. REFER TO TECHNOLOGY DWGS FOR MORE INFORMATION.
7. RECESSED GUN CABINET
8. VENDING MACHINES, N.I.C.
9. PLASTIC LAMINATE, 2-HIGH LOCKERS
10. FLAT PANEL MONITOR - O.F.C.I. REFER TO INTERIOR ELEVATIONS FOR LOCATIONS. IF WALL IS NOT ELEVATED, CENTER MONITOR ON WALL AND MOUNT AT 5'-0" AFF.
11. RECESSED CABINET UNIT HEATER - REFER TO MECHANICAL DRAWINGS
12. PROVIDE BLOCKING IN WALL FOR OWNER FURNISHED, OWNER INSTALLED EVAC CHAIR. COORDINATE EXTENTS AND LOCATION WITH ARCHITECT.
13. LEVEL 5 DRYWALL FINISH THIS WALL
14. SECURITY GATE TRACK ABOVE
15. FIRE ALARM ANNUNCIATOR PANEL
16. CODE BLUE STATION - SEE TECHNOLOGY DWGS
17. FIN TUBE RADIATOR BELOW - REFER TO MECHANICAL DRAWINGS.
18. WALL MOUNTED ADA DOOR OPERATOR PUSH PAD
19. RECESSED FIRE EXTINGUISHER CABINET
20. WALL MOUNTED 24" X 12" MIRROR - TA-SA. REFER TO TOILET ACCESSORY SCHEDULE ON A8.01.
21. PLASTIC LAMINATE, 2-HIGH LOCKERS
22. PROVIDE IN WALL BLOCKING FOR N.I.C. FIRST AID AND SAFETY EQUIPMENT
23. WALL MOUNTED LAPTOP CABINET - COORDINATE LOCATION WITH ARCHITECT PRIOR TO INSTALLATION.
24. WALL MOUNTED GAS SHUT OFF BUTTON - REFER TO MECHANICAL DWGS
25. NOT USED
26. CHAIN LINK FENCE CAGE - EXTEND FENCING 10'-0" A.F.F.
27. 18" AFF IN WALL BLOCKING AND HANDOFF RING
28. THIS WALL AND DOOR ARE PROVIDED AT BASE BID ONLY. REMOVED AT ALT. BID #1. SEE SHEET A1.01
29. PLATED STEEL COLUMN, SEE STRUCTURAL.
30. COORDINATE LOCATION OF WALL RECESS WITH CEILING TERMINATION - REFER TO RCP
31. METAL, 2-HIGH LOCKERS
32. JOINTS IN STONE SILL ALIGN WITH MULLIONS. REFER TO WALL SECTION FOR MORE INFORMATION.
33. LINE OF SOFFIT BELOW. REFER TO RCP FOR MORE INFORMATION.
34. ALUMN FACE OF COLUMN ENCLOSURE WITH WINDOW JAMB
35. TRANSFORMER, GENERATOR, AND REMOTE REFRIGERATION RACK. REFER TO ELECTRICAL, FOOD SERVICE AND MECHANICAL DRAWINGS.



1 LEVEL 1 DIMENSION PLAN - WEST
 1/8" = 1'-0"





ARCHITECT OF RECORD
DEMIONA KEMPER ARCHITECTS
 125 N. HALSTED STREET, SUITE 301
 CHICAGO, IL 60661
 P: 312.496.0000

STRUCTURAL AND MEP/PF ENGINEERING
KJWW ENGINEERING CONSULTANTS
 1100 WARRENVILLE RD. SUITE
 400W NAPERVILLE, IL 60563
 P: 630.527.2320

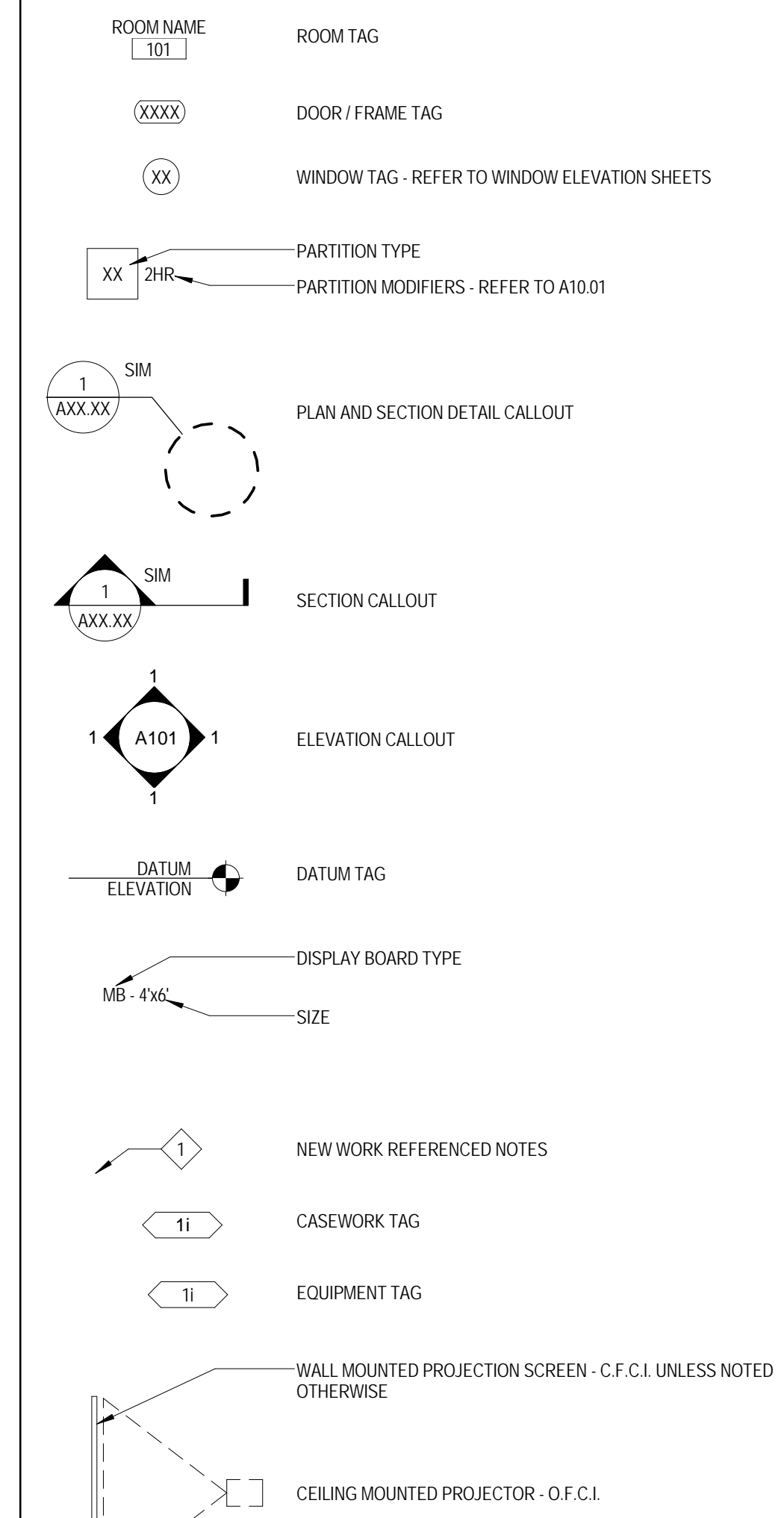
FOOD SERVICE CONSULTANT
CINI LITTLE INTERNATIONAL, INC.
 200 E. HOWARD AVE. SUITE 212
 DES PLAINES, IL 60018
 P: 847.298.0088

CONSTRUCTION MANAGER
JOLIET JUNIOR COLLEGE
 1215 HOUBOLT RD.
 JOLIET, IL 60431
 P: 815.280.2212

JOLIET JUNIOR COLLEGE
ROMEORVILLE CAMPUS EXPANSION
 1125 135th ST. ROMEORVILLE, IL 60446
 DKA PROJECT NO: 14-005

FLOOR PLAN & SECTION SYMBOLS LEGEND:

NOTE: REFER TO M.E.P.F. DRAWINGS FOR ADDITIONAL INFORMATION ON MECHANICAL, ELECTRICAL, AND FIRE PROTECTION SYSTEMS



FLOOR PLAN GENERAL NOTES:

1. FINISH FLOOR ELEVATION OF 0'-0" = 671.8 USGS
2. ELEVATIONS SHOWN ON ARCHITECTURAL DRAWINGS ARE RELATIVE TO FIRST FLOOR FINISH ELEVATION OF 0'-0". REFER TO CIVIL DRAWINGS FOR COORDINATING USGS ELEVATION.
3. REFER TO CODE PLANS ON SHEET A0 10 FOR FIRE RATINGS AND AREA SEPARATION LOCATIONS FOR WALLS, ENCLOSURES, OPENINGS, ETC.
4. DO NOT SCALE DRAWINGS.
5. NOTIFY ARCHITECT OF ANY DISCREPANCIES IN THE DOCUMENTS PRIOR TO WORK COMMENCING.
6. NOTES ON DRAWINGS SHALL APPLY TO ALL SIMILAR CONDITIONS WHETHER THEY ARE REPEATED OR NOT.
7. THE CONTRACTOR SHALL BE RESPONSIBLE FOR THE VERIFICATION OF EXISTING CONDITIONS AND IN-FIELD DIMENSIONS PRIOR TO COMMENCING WORK.
8. ALL INTERIOR DIMENSIONS ARE TO FACE OF FINISHED WALL UNLESS NOTED OTHERWISE.
9. PROVIDE ACCESS PANELS AT LOCATIONS INDICATED AND AS REQUIRED FOR ACCESS TO EQUIPMENT AND DEVICES INCLUDING, BUT NOT LIMITED TO MECHANICAL, PLUMBING AND ELECTRICAL WORK. PAINT ACCESS PANELS TO MATCH ADJACENT WALL OR CEILING FINISH.
10. REFER TO A10.01 FOR PARTITION SCHEDULE. ALL INTERIOR PARTITIONS SHALL BE TYPE S1A, U.N.O.. ALL GYP BD COLUMN ENCLOSURES SHALL BE TYPE S2C, U.N.O..
11. REFER TO EXTERIOR ELEVATIONS, SECTIONS AND DETAILS FOR CONSTRUCTION OF EXTERIOR WALLS.
12. PROVIDE IN WALL BLOCKING FOR ALL WALL MOUNTED EQUIPMENT NOTED THROUGHOUT DRAWINGS.
13. CASEWORK AND EQUIPMENT MAY BE SHOWN AS HALFTONE ON DIMENSION PLANS FOR CLARITY.

FLOOR PLAN REFERENCED NOTES:

1. GLASS GUARDRAIL SYSTEM - REFER TO DETAIL FOR MORE INFORMATION.
2. GYP BD COLUMN ENCLOSURE - PARTITIONS TYPE S2C-TYP. REFER TO DIMENSION PLANS FOR OUTSIDE DIMENSIONS.
3. HIGH DENSITY SHELVING SYSTEM - COORDINATE RECESS IN SLAB FOR SUPPORT RAILS. REFER TO STRUCTURAL DRAWINGS.
4. SLIDING GLASS BARRIER DOOR SYSTEM - REFER TO INTERIOR ELEVATIONS FOR MORE INFORMATION.
5. FOOD SERVICE EQUIPMENT - REFER TO FOOD SERVICE DRAWINGS.
6. ALL WALLS THIS ROOM ARE FACED WITH PLYWOOD. REFER TO TECHNOLOGY DWGS FOR MORE INFORMATION.
7. RECESSED GUN CABINET
8. VENDING MACHINES, N.I.C.
9. PLASTIC LAMINATE - 3-HIGH LOCKERS
10. FLAT PANEL MONITOR - O.F.C.I. REFER TO INTERIOR ELEVATIONS FOR LOCATIONS. IF WALL IS NOT ELEVATED, CENTER MONITOR ON WALL AND MOUNT AT 5'-0" A.F.F.
11. RECESSED CABINET UNIT HEATER - REFER TO MECHANICAL DRAWINGS
12. PROVIDE BLOCKING IN WALL FOR OWNER FURNISHED, OWNER INSTALLED EVAC CHAIR. COORDINATE EXTENTS AND LOCATION WITH ARCHITECT.
13. LEVEL 5 DRYWALL FINISH THIS WALL
14. SECURITY GATE TRACK ABOVE
15. FIRE ALARM ANNUNCIATOR PANEL
16. CODE BLUE STATION - SEE TECHNOLOGY DWGS
17. FIN TUBE RADIATOR BELOW. REFER TO MECHANICAL DRAWINGS.
18. WALL MOUNTED ADA DOOR OPERATOR PUSH PAD
19. RECESSED FIRE EXTINGUISHER CABINET
20. WALL MOUNTED 24" X 72" MIRROR - 1A-SA. REFER TO TOILET ACCESSORY SCHEDULE ON A8.01.
21. PLASTIC LAMINATE - 2-HIGH LOCKERS
22. PROVIDE IN WALL BLOCKING FOR N.I.C. FIRST AID AND SAFETY EQUIPMENT
23. WALL MOUNTED LAPTOP CABINET - COORDINATE LOCATION WITH ARCHITECT PRIOR TO INSTALLATION.
24. WALL MOUNTED GAS SHUT OFF BUTTON - REFER TO MECHANICAL DWGS
25. NOT USED
26. CHAIN LINK FENCE CAGE - EXTEND FENCING 10'-0" A.F.F.
27. 18" AFT IN WALL BLOCKING AND HANDCUFF WING
28. THIS WALL AND DOOR ARE PROVIDED AT BASE BID ONLY. REMOVED AT ALT. BID #1. SEE SHEET A1.02.
29. PLATED STEEL COLUMN. SEE STRUCTURAL
30. COORDINATE LOCATION OF WALL RECESS WITH CEILING TERMINATION - REFER TO RCP
31. METAL 2-HIGH LOCKERS
32. JOINTS IN STONE SILL ALIGN WITH MULLIONS. REFER TO WALL SECTION FOR MORE INFORMATION.
33. LINE OF SPLIT BELOW. REFER TO RCP FOR MORE INFORMATION.
34. ALIGN FACE OF COLUMN ENCLOSURE WITH WINDOW JAMB
35. TRANSFORMER, GENERATOR, AND REMOTE REFRIGERATION RACK. REFER TO ELECTRICAL, FOOD SERVICE AND MECHANICAL DRAWINGS

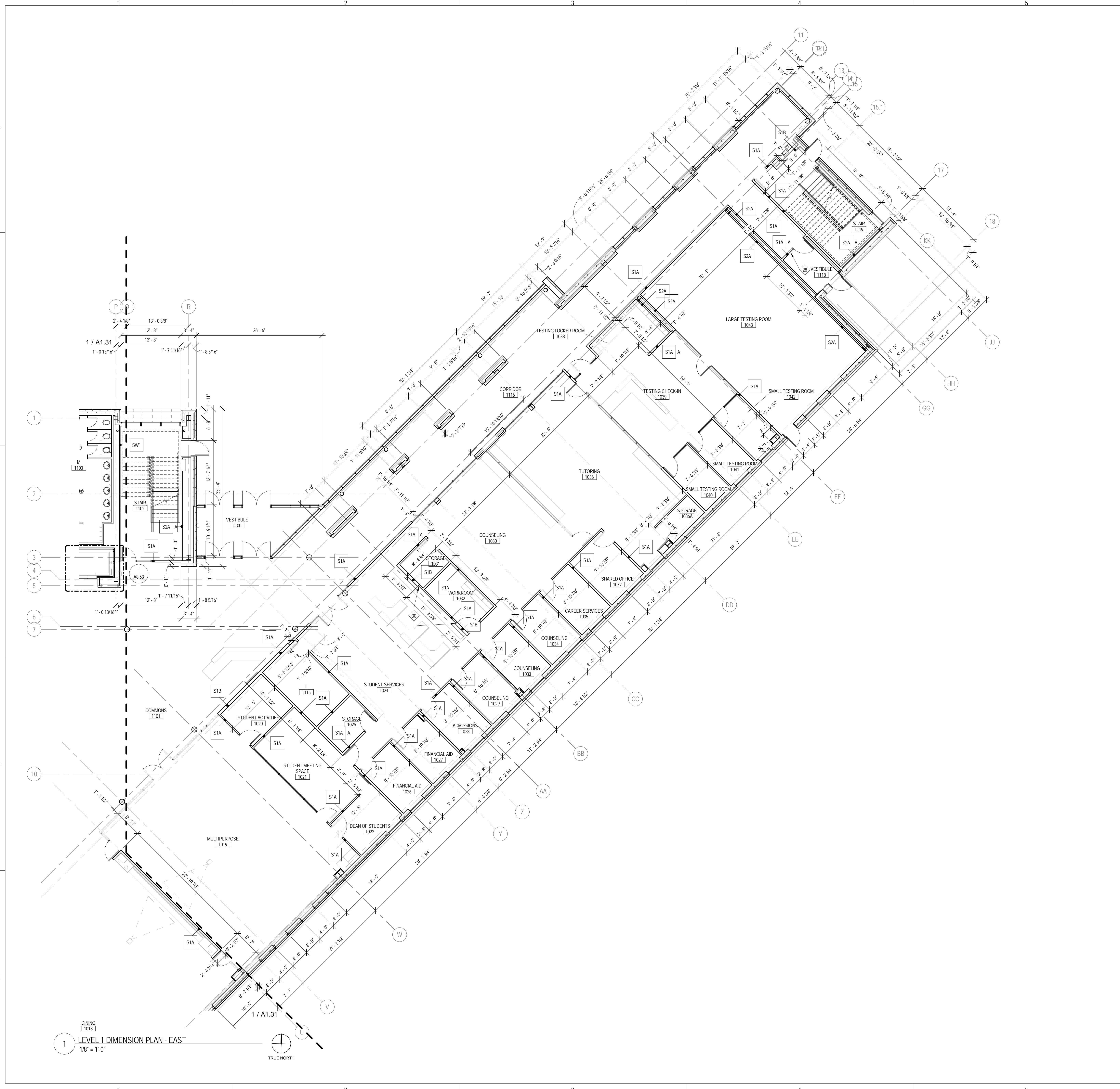
KEY PLAN:

SHEET STATUS: 9/21/15
ISSUED FOR CONSTRUCTION

NO.	DESCRIPTION:	DATE:

SHEET TITLE:
LEVEL 1 DIMENSION PLAN - EAST

SHEET NUMBER:
A1.32



1 LEVEL 1 DIMENSION PLAN - EAST
 1/8" = 1'-0"
 TRUE NORTH



ARCHITECT OF RECORD
DEMIONA KEMPER ARCHITECTS
 125 N. HALSTED STREET, SUITE 301
 CHICAGO, IL 60661
 P: 312.496.0000

STRUCTURAL AND MEP/PF ENGINEERING
KJWW ENGINEERING CONSULTANTS
 1100 WARRENVILLE RD. SUITE
 400W NAPERVILLE, IL 60563
 P: 630.527.2320

FOOD SERVICE CONSULTANT
CINI LITTLE INTERNATIONAL, INC.
 200 E. HOWARD AVE. SUITE 212
 DES PLAINES, IL 60018
 P: 847.298.0088

CONSTRUCTION MANAGER
JOLIET JUNIOR COLLEGE
 1215 HOUBOLT RD.
 JOLIET, IL 60431
 P: 815.280.2212

JOLIET JUNIOR COLLEGE
ROMEORVILLE CAMPUS EXPANSION
 1125 135th ST. ROMEORVILLE, IL 60446
 DKA PROJECT NO: 14-005

KEY PLAN:

SHEET STATUS: 9/21/15

ISSUED FOR CONSTRUCTION

NO.	DESCRIPTION:	DATE:

SHEET TITLE:
LEVEL 2 DIMENSION PLAN - WEST

SHEET NUMBER:
A1.41

9/18/2015 9:29:24 AM

FLOOR PLAN & SECTION SYMBOLS LEGEND:

NOTE: REFER TO M.E.P.F.P. DRAWINGS FOR ADDITIONAL INFORMATION ON MECHANICAL, ELECTRICAL, AND FIRE PROTECTION SYSTEMS

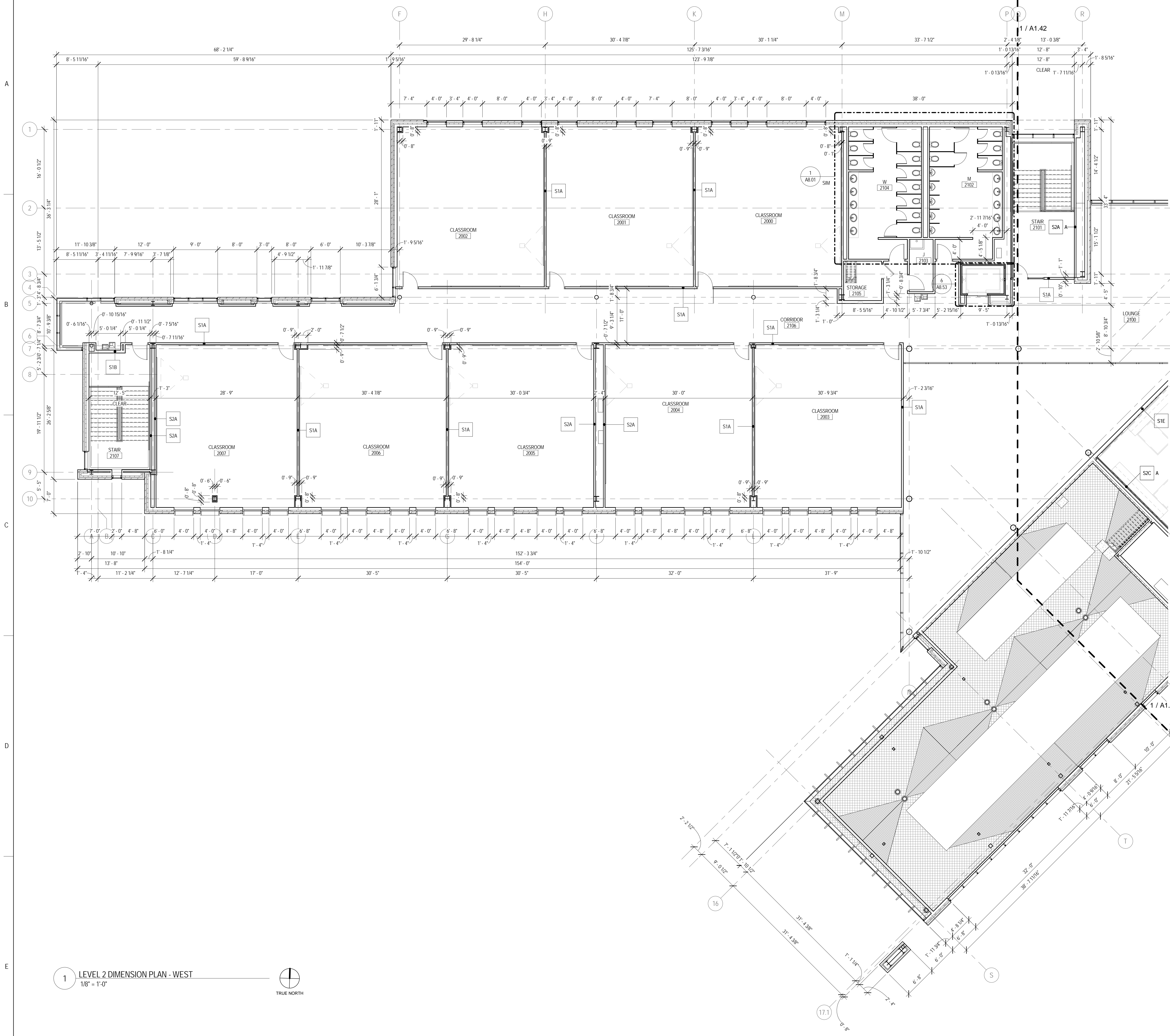
	ROOM NAME	ROOM TAG
	DOOR / FRAME TAG	
	WINDOW TAG - REFER TO WINDOW ELEVATION SHEETS	
	PARTITION TYPE	
	PARTITION MODIFIERS - REFER TO A10.01	
	PLAN AND SECTION DETAIL CALLOUT	
	SECTION CALLOUT	
	ELEVATION CALLOUT	
	DATUM ELEVATION	DATUM TAG
	DISPLAY BOARD TYPE	
	SIZE	
	NEW WORK REFERENCED NOTES	
	CASEWORK TAG	
	EQUIPMENT TAG	
	WALL MOUNTED PROJECTION SCREEN - C.F.C.I. UNLESS NOTED OTHERWISE	
	CEILING MOUNTED PROJECTOR - O.F.C.I.	

FLOOR PLAN GENERAL NOTES:

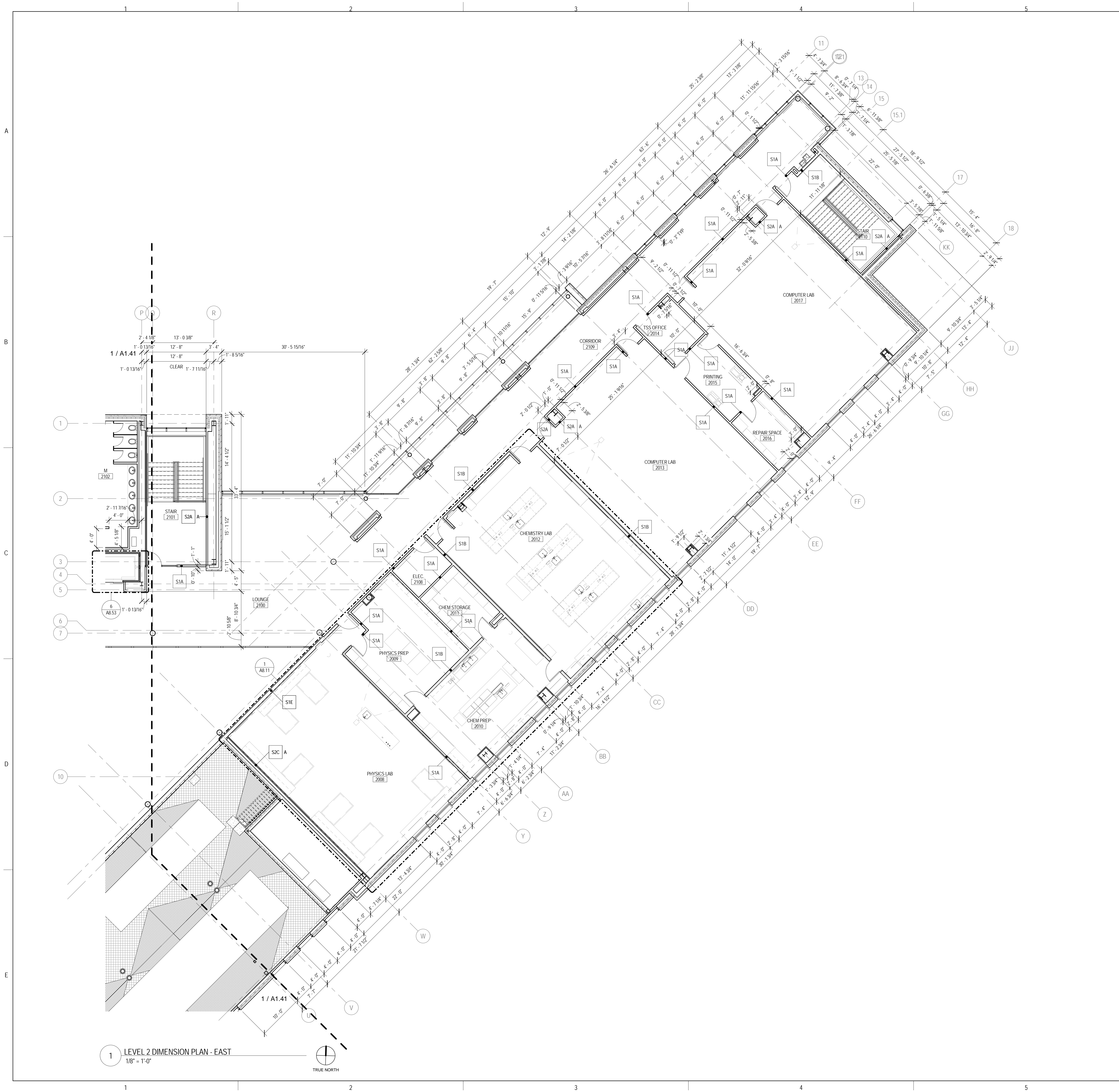
- FINISH FLOOR ELEVATION OF 0'-0" - 671.8" USGS
- ELEVATIONS SHOWN ON ARCHITECTURAL DRAWINGS ARE RELATIVE TO FIRST FLOOR FINISH ELEVATION OF 0'-0". REFER TO CIVIL DRAWINGS FOR COORDINATING USGS ELEVATION
- REFER TO CODE PLANS ON SHEET A0.10 FOR FIRE RATINGS AND AREA SEPARATION LOCATIONS FOR WALLS, ENCLOSURES, OPENINGS, ETC.
- DO NOT SCALE DRAWINGS.
- NOTIFY ARCHITECT OF ANY DISCREPANCIES IN THE DOCUMENTS PRIOR TO WORK COMMENCING.
- NOTES ON DRAWINGS SHALL APPLY TO ALL SIMILAR CONDITIONS WHETHER THEY ARE REPEATED OR NOT
- THE CONTRACTOR SHALL BE RESPONSIBLE FOR THE VERIFICATION OF EXISTING CONDITIONS AND IN-FIELD DIMENSIONS PRIOR TO COMMENCING WORK.
- ALL INTERIOR DIMENSIONS ARE TO FACE OF FINISHED WALL UNLESS NOTED OTHERWISE.
- PROVIDE ACCESS PANELS AT LOCATIONS INDICATED AND AS REQUIRED FOR ACCESS TO EQUIPMENT AND DEVICES INCLUDING, BUT NOT LIMITED TO, MECHANICAL, PLUMBING AND ELECTRICAL WORK. PAINT ACCESS PANELS TO MATCH ADJACENT WALL OR CEILING FINISH
- REFER TO A10.01 FOR PARTITION SCHEDULE. ALL INTERIOR PARTITIONS SHALL BE TYPE STA, UNLESS NOTED OTHERWISE. ALL GYP BOARD ENCLOSURES SHALL BE TYPE S2C, UNLESS NOTED OTHERWISE.
- REFER TO EXTERIOR ELEVATIONS, SECTIONS AND DETAILS FOR CONSTRUCTION OF EXTERIOR WALLS.
- PROVIDE IN WALL BLOCKING FOR ALL WALL MOUNTED EQUIPMENT NOTED THROUGHOUT DRAWINGS.
- CASEWORK AND EQUIPMENT MAY BE SHOWN AS HALFTONE ON DIMENSION PLANS FOR CLARITY.

FLOOR PLAN REFERENCED NOTES:

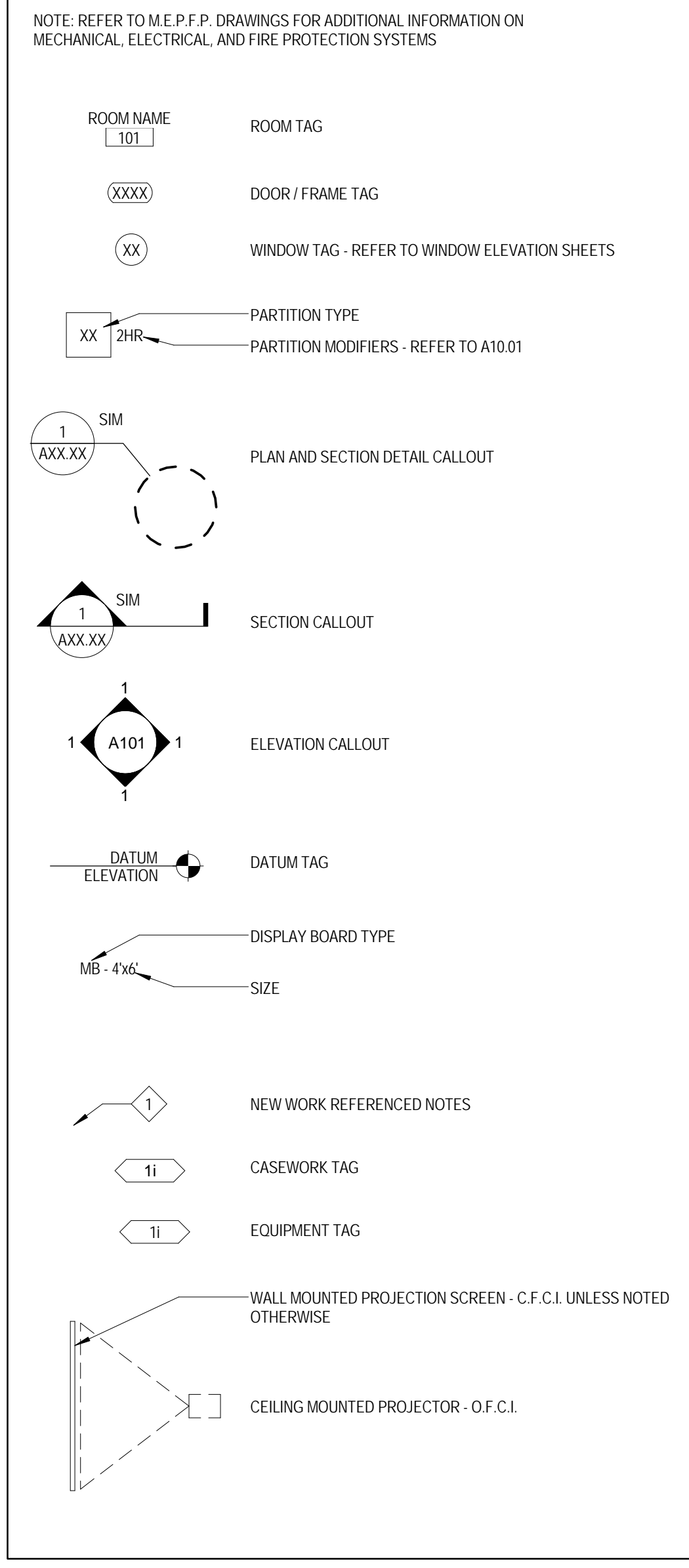
- GLASS GUARDRAIL SYSTEM. REFER TO DETAIL FOR MORE INFORMATION.
- GYP BOARD COLUMN ENCLOSURE - PARTITIONS TYPE S2C-TYP. REFER TO DIMENSION PLANS FOR OUTSIDE DIMENSIONS.
- HIGH DENSITY SHELVING SYSTEM. COORDINATE RECESS IN SLAB FOR SUPPORT RAILS. REFER TO STRUCTURAL DRAWINGS.
- SLIDING GLASS BARN DOOR SYSTEM - REFER TO INTERIOR ELEVATIONS FOR MORE INFORMATION.
- FOOD SERVICE EQUIPMENT. REFER TO FOOD SERVICE DRAWINGS.
- ALL WALLS THIS ROOM ARE FACED WITH PLYWOOD. REFER TO TECHNOLOGY DWGS FOR MORE INFORMATION.
- RECESSED GUN CABINET
- VENDING MACHINES, N.I.C.
- PLASTIC LAMINATE, 3-HIGH LOCKERS
- FLAT PANEL MONITOR - O.F.C.I. REFER TO INTERIOR ELEVATIONS FOR LOCATIONS. IF WALL IS NOT ELEVATED, CENTER MONITOR ON WALL AND MOUNT AT 5'-0" A.F.F.
- RECESSED CABINET UNIT HEATER. REFER TO MECHANICAL DRAWINGS.
- PROVIDE BLOCKING IN WALL FOR OWNER FURNISHED, OWNER INSTALLED EVAC CHAIR. COORDINATE EXTENTS AND LOCATION WITH ARCHITECT.
- LEVEL 5 DRYWALL FINISH THIS WALL
- SECURITY GATE TRACK ABOVE
- FIRE ALARM ANNUNCIATOR PANEL
- CODE BLUE STATION. SEE TECHNOLOGY DWGS
- FRI. TUBE RADIATOR BELOW. REFER TO MECHANICAL DRAWINGS.
- WALL MOUNTED ADA DOOR OPERATOR PUSH PAD
- RECESSED FIRE EXTINGUISHER CABINET
- WALL MOUNTED, 24" X 72" MIRROR - TA-SA. REFER TO TOILET ACCESSORY SCHEDULE ON A8.01.
- PLASTIC LAMINATE, 2-HIGH LOCKERS
- PROVIDE IN WALL BLOCKING FOR N.I.C. FIRST AID AND SAFETY EQUIPMENT
- WALL MOUNTED LAPTOP CABINET - COORDINATE LOCATION WITH ARCHITECT PRIOR TO INSTALLATION
- WALL MOUNTED GAS SHUT OFF BUTTON - REFER TO MECHANICAL DWGS
- NOT USED
- CHAIN LINK FENCE CAGE - EXTEND FENCING 10' 0" A.F.F.
- 18" AFF. WALL BLOCKING AND HANDCUFF RING
- THIS WALL AND DOOR ARE PROVIDED AT BASE BID ONLY. REMOVED AT ALT. BID #1. SEE SHEET A1.03
- PLATED STEEL COLUMN. SEE STRUCTURAL.
- COORDINATE LOCATION OF WALL RECESS WITH CEILING TERMINATION - REFER TO RCP
- METAL, 2-HIGH LOCKERS
- JOINTS IN STONE SILL ALIGN WITH MULLIONS. REFER TO WALL SECTION FOR MORE INFORMATION.
- LINE OF SOFFIT BELOW. REFER TO RCP FOR MORE INFORMATION.
- ALIGN FACE OF COLUMN ENCLOSURE WITH WINDOW JAMB
- TRANSFORMER, GENERATOR, AND REMOTE REFRIGERATION RACK. REFER TO ELECTRICAL, FOOD SERVICE AND MECHANICAL DRAWINGS



1 LEVEL 2 DIMENSION PLAN - WEST
 1/8" = 1'-0"
 TRUE NORTH



FLOOR PLAN & SECTION SYMBOLS LEGEND:



FLOOR PLAN GENERAL NOTES:

- FINISH FLOOR ELEVATION OF 0'-0" - 671'8" USGS
- ELEVATIONS SHOWN ON ARCHITECTURAL DRAWINGS ARE RELATIVE TO FIRST FLOOR FINISH ELEVATION OF 0'-0" - REFER TO CIVIL DRAWINGS FOR COORDINATING USGS ELEVATION.
- REFER TO CODE PLANS ON SHEET A010 FOR FIRE RATINGS AND AREA SEPARATION LOCATIONS FOR WALLS, ENCLOSURES, OPENINGS, ETC.
- DO NOT SCALE DRAWINGS.
- NOTIFY ARCHITECT OF ANY DISCREPANCIES IN THE DOCUMENTS PRIOR TO WORK COMMENCING.
- NOTES ON DRAWINGS SHALL APPLY TO ALL SIMILAR CONDITIONS WHETHER THEY ARE REPEATED OR NOT.
- THE CONTRACTOR SHALL BE RESPONSIBLE FOR THE VERIFICATION OF EXISTING CONDITIONS AND IN-FIELD DIMENSIONS PRIOR TO COMMENCING WORK.
- ALL INTERIOR DIMENSIONS ARE TO FACE OF FINISHED WALL UNLESS NOTED OTHERWISE.
- PROVIDE ACCESS PANELS AT LOCATIONS INDICATED AND AS REQUIRED FOR ACCESS TO EQUIPMENT AND DEVICES INCLUDING, BUT NOT LIMITED TO, MECHANICAL, PLUMBING AND ELECTRICAL WORK. PAINT ACCESS PANELS TO MATCH ADJACENT WALL OR CEILING FINISH.
- REFER TO A101 FOR PARTITION SCHEDULE. ALL INTERIOR PARTITIONS SHALL BE TYPE SIA, U.N.O. ALL GYP BD COLUMN ENCLOSURES SHALL BE TYPE S2C, U.N.O.
- REFER TO EXTERIOR ELEVATIONS, SECTIONS AND DETAILS FOR CONSTRUCTION OF EXTERIOR WALLS.
- PROVIDE IN WALL BLOCKING FOR ALL WALL MOUNTED EQUIPMENT NOTED THROUGHOUT DRAWINGS.
- CASEWORK AND EQUIPMENT MAY BE SHOWN AS HALFTONE ON DIMENSION PLANS FOR CLARITY.

FLOOR PLAN REFERENCED NOTES:

- GLASS GUARDRAIL SYSTEM - REFER TO DETAIL FOR MORE INFORMATION.
- GYP BD COLUMN ENCLOSURE - PARTITIONS TYPE S2C TYP. REFER TO DIMENSION PLANS FOR OUTSIDE DIMENSIONS.
- HIGH DENSITY SHELVING SYSTEM - COORDINATE RECESS IN SLAB FOR SUPPORT RAILS. REFER TO STRUCTURAL DRAWINGS.
- SLIDING GLASS BARN DOOR SYSTEM - REFER TO INTERIOR ELEVATIONS FOR MORE INFORMATION.
- FOOD SERVICE EQUIPMENT - REFER TO FOOD SERVICE DRAWINGS.
- ALL WALLS THIS ROOM ARE FACED WITH PLYWOOD. REFER TO TECHNOLOGY DWGS FOR MORE INFORMATION.
- RECESSED GUN CABINET
- VENDING MACHINES, N.I.C.
- PLASTIC LAMINATE, 3-HIGH LOCKERS
- FLAT PANEL MONITOR - O.F.C.I. REFER TO INTERIOR ELEVATIONS FOR LOCATIONS. IF WALL IS NOT ELEVATED, CENTER MONITOR ON WALL AND MOUNT AT 5'-0" A.F.F.
- RECESSED CABINET UNIT HEATER - REFER TO MECHANICAL DRAWINGS.
- PROVIDE BLOCKING IN WALL FOR OWNER FURNISHED, OWNER INSTALLED EVAC CHAIR. COORDINATE EXTENTS AND LOCATION WITH ARCHITECT.
- LEVEL 3 DRYWALL FINISH THIS WALL
- SECURITY GATE, TONGUE ABOVE
- FIRE ALARM ANNUNCIATOR PANEL
- CODE BLUE STATION - SEE TECHNOLOGY DWGS
- FIRE TUBE RADIATOR BELOW, REFER TO MECHANICAL DRAWINGS.
- WALL MOUNTED ADA DOOR OPERATOR PUSH PAD
- RECESSED FIRE EXTINGUISHER CABINET
- WALL MOUNTED, 24" X 72" MIRROR - 1A SA. REFER TO TOILET ACCESSORY SCHEDULE ON A8.01.
- PLASTIC LAMINATE, 2-HIGH LOCKERS
- PROVIDE IN-WALL BLOCKING FOR N.I.C. FIRST AID AND SAFETY EQUIPMENT
- WALL MOUNTED LAPTOP CABINET - COORDINATE LOCATION WITH ARCHITECT PRIOR TO INSTALLATION
- WALL MOUNTED GAS SHUT OFF BUTTON - REFER TO MECHANICAL DWGS
- NOT USED
- CHAIN LINK FENCE CAGE - EXTEND FENCING 10'-0" A.F.F.
- 1" AFF IN WALL BLOCKING AND HANDCUFF RING
- THIS WALL AND DOOR ARE PROVIDED AT BASE BID ONLY - REMOVED AT ALT. BID #1. SEE SHEET A1.03
- PLATED STEEL COLUMN, SEE STRUCTURAL
- COORDINATE LOCATION OF WALL RECESS WITH CEILING TERMINATION - REFER TO RCP
- METAL, 2-HIGH LOCKERS
- JOINTS IN STONE SILL ALIGN WITH MULLIONS. REFER TO WALL SECTION FOR MORE INFORMATION.
- LINE OF SOFFIT BELOW, REFER TO RCP FOR MORE INFORMATION.
- ALIGN FACE OF COLUMN ENCLOSURE WITH WINDOW JAMB
- TRANSFORMER, GENERATOR, AND REMOTE REFRIGERATION RACK. REFER TO ELECTRICAL, FOOD SERVICE AND MECHANICAL DRAWINGS



ARCHITECT OF RECORD
DEMONICA KEMPER ARCHITECTS
 125 N. HALSTED STREET, SUITE 301
 CHICAGO, IL 60661
 P: 312.496.0000

STRUCTURAL AND MEP/FP ENGINEERING
KJWW ENGINEERING CONSULTANTS
 1100 WARRENVILLE RD. SUITE
 400W NAPERVILLE, IL 60563
 P: 630.527.2320

FOOD SERVICE CONSULTANT
CINI LITTLE INTERNATIONAL, INC.
 200 E. HOWARD AVE. SUITE 212
 DES PLAINES, IL 60018
 P: 847.298.0088

CONSTRUCTION MANAGER
JOLIET JUNIOR COLLEGE
 1215 HOUBOLT RD.
 JOLIET, IL 60431
 P: 815.280.2212

JOLIET JUNIOR COLLEGE
ROMEORVILLE CAMPUS EXPANSION
 1125 135th ST. ROMEORVILLE, IL 60446
 DKA PROJECT NO: 14-005

KEY PLAN:

SHEET STATUS: 9/18/2015
ISSUED FOR CONSTRUCTION

NO.	DESCRIPTION:	DATE:

SHEET TITLE:
LEVEL 2 DIMENSION PLAN - EAST

SHEET NUMBER:
A1.42



ARCHITECT OF RECORD
DEMONICA KEMPER ARCHITECTS
 125 N. HALSTED STREET, SUITE 301
 CHICAGO, IL 60661
 P: 312.496.0000

STRUCTURAL AND MEP/PFP ENGINEERING
KJWW ENGINEERING CONSULTANTS
 1100 WARRENVILLE RD. SUITE
 400W NAPERVILLE, IL 60563
 P: 630.527.2320

FOOD SERVICE CONSULTANT
CINI LITTLE INTERNATIONAL, INC.
 200 E. HOWARD AVE. SUITE 212
 DES PLAINES, IL 60018
 P: 847.298.0088

CONSTRUCTION MANAGER
JOLIET JUNIOR COLLEGE
 1215 HOUBOLT RD.
 JOLIET, IL 60431
 P: 815.280.2212

JOLIET JUNIOR COLLEGE
ROMEORVILLE CAMPUS EXPANSION
 1125 135th ST. ROMEORVILLE, IL 60446
 DKA PROJECT NO: 14-005

KEY PLAN:

SHEET STATUS: 9/21/15

**ISSUED FOR
 CONSTRUCTION**

NO. DESCRIPTION: DATE:

1		

SHEET TITLE:
**LEVEL 1 REFLECTED
 CEILING PLAN - WEST**

SHEET NUMBER:

A2.11

9/18/2015 9:29:45 AM

RCP SYMBOLS LEGEND:

NOTE: REFER TO M.E.P.F.P. DRAWINGS FOR ADDITIONAL INFORMATION ON MECHANICAL, ELECTRICAL, AND FIRE PROTECTION SYSTEMS

- CEILING TYPE
- CEILING ELEVATION A.F.F.
- SUSPENDED ACOUSTICAL TILE CEILING
- GYPSUM BOARD CEILING OR SOFFIT
- LINEAR WOOD SLAT CEILING SYSTEM
- WOOD PANEL CEILING
- ROLLER SHADE - MANUAL U.N.O.
- RADIANT CEILING PANELS - REFER TO MECHANICAL DWGS
- TRACK LIGHTING
- RECESSED 2x2 FLUORESCENT FIXTURE
- SURFACE MOUNT FLUORESCENT LIGHT LINEAR FIXTURE
- SURFACE LIGHT MOUNT FIXTURE
- RECESSED DOWN LIGHT
- RECESSED SQUARE DOWN LIGHT
- PENDANT MOUNT LIGHT
- PENDANT LIGHT MOUNT LINEAR FIXTURE
- SPRINKLER HEAD - SHOWN IN SOME LOCATIONS FOR COORDINATION. REFER TO FIRE PROTECTION DRAWINGS FOR MORE INFORMATION
- PENDANT LIGHT HUNG FLUORESCENT STRIP FIXTURE
- RECESSED LIGHT LINEAR FLUORESCENT FIXTURE
- PULL DOWN WALL MOUNTED PROJECTION SCREEN - U.N.O.
- CEILING MOUNTED PROJECTOR - O.F.C.I.
- EXIT SIGN
- SMOKE DETECTOR
- FIRE ALARM DEVICE
- SPEAKER
- CLOSED CIRCUIT CAMERA
- OCCUPANT SENSOR
- WIRELESS ACCESS POINT
- LIGHT SENSOR
- VACANCY SENSOR
- CONTROL JOINT
- RETURN AIR GRILLE
- SUPPLY AIR GRILLE
- LINEAR DIFFUSER - SUPPLY/RETURN

RCP GENERAL NOTES:

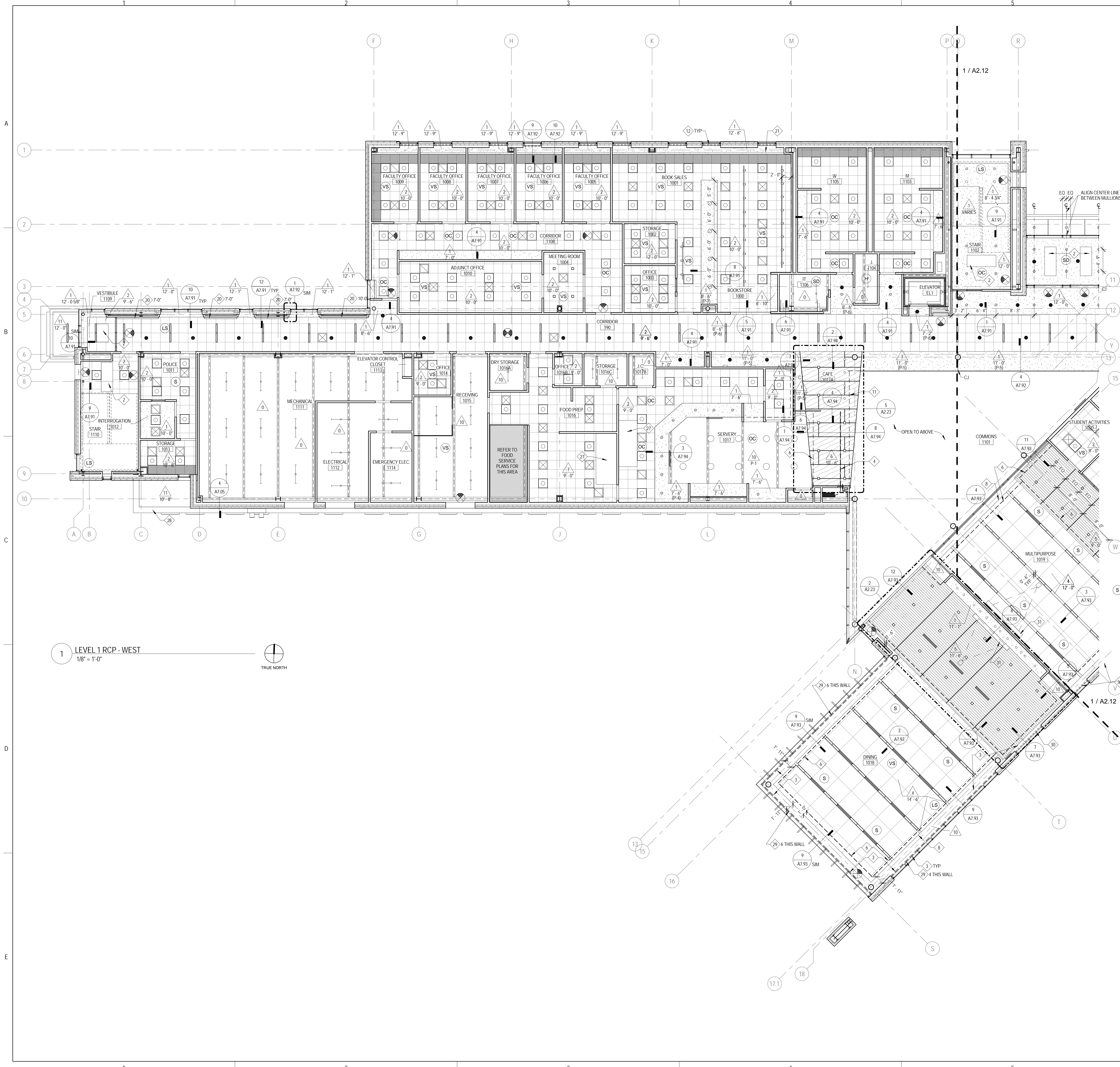
- ALL HEATING, VENTILATION, ELECTRICAL, PLUMBING, AND FIRE PROTECTION ITEMS ARE SHOWN ON ARCHITECTURAL REFLECTED CEILING PLANS FOR REFERENCE AND COORDINATION ONLY. REFER TO HEATING, VENTILATION, ELECTRICAL, PLUMBING, AND FIRE PROTECTION DRAWINGS FOR ACTUAL QUANTITIES. IN CASE OF CONFLICT THE ARCHITECTURAL REFLECTED CEILING PLAN SHALL GOVERN LOCATION OF THESE ITEMS.
- CENTER ALL FIXTURES IN CEILING TILES AND FIELD VERIFY GRID LAYOUT FOR PROPER FIXTURE LOCATION. ALIGN ALL FIXTURES IN BOTH DIRECTIONS OF CEILING TILE (U.N.O.)
- CENTER ALL SPRINKLER HEADS IN CEILING TILES
- ALL GYP. BD. CEILINGS TO BE PAINTED P-2 UNLESS OTHERWISE NOTED ON PLANS
- EXTEND FACE OF ALL GYP. BD. SOFFITS AND HEADERS TO FINISHED CEILING ABOVE U.N.O.
- EXTEND FACE OF ALL GYP. BD. SOFFITS AND HEADERS 6" MIN. BEYOND FINISHED CEILING ABOVE U.N.O.
- REFER TO A7.91 FOR TYPICAL SAT. TO GYP. BD. AND GYP. BD. TO GYP. BD. CEILING TRANSITIONS
- ALL SPRINKLER HEADS, SPEAKERS, AND GRILLS IN GYP. BD. CEILINGS PAINTED A COLOR OTHER THAN P-2 SHOULD BE PAINTED TO MATCH ADJACENT CEILING COLOR

RCP REFERENCED NOTES:

- ROLLER SHADES AT THESE WINDOWS ARE BLACKOUT SHADES.
- CABINET UNIT HEATER - REFER TO MECHANICAL DWGS
- ROLLER SHADES IN THIS ROOM ARE MOTORIZED
- RECESSED TRACK FOR RETRACTABLE SECURITY GATE
- 3/4" DIA. STEEL ROD STRUCTURE SUSPENDED FROM STRUCTURE ABOVE. REFER TO STRUCTURAL DRAWINGS. BOTTOM OF RODS AT 4'-6" A.F.F.
- HEAVY DASHED LINE INDICATES FACE OF GYP. BD. BULKHEAD ABOVE
- JOINT IN ACM CANOPY
- PROVIDE 2" PERIMETER TRIM - TYP.
- LEAVE 1/2" JOINT BETWEEN PANELS
- REMOVE WOOD SLAT TO EXTENTS NECESSARY TO INSTALL LINEAR DIFFUSER
- DASHED LINE INDICATES PARTITION ABOVE
- DASHED LINES INDICATE LOCATION OF MANUAL ROLLER SHADE, TYP.
- PROVIDE 6" PERIMETER TRIM
- PAINT FACE OF SOFFIT P-7
- VERIFY HEIGHTS WITH ARCHITECT ON SITE PRIOR TO INSTALLATION - PROVIDE ENOUGH EXCESS CABLE FOR ADJUSTMENTS UP TO 6'-0"
- PROVIDE 2" PERIMETER TRIM
- REFER TO INTERIOR ELEVATIONS FOR SPOT ELEVATIONS OF ANGLED CEILINGS
- PROVIDE WALL ANGLE AT EDGE
- CAST STONE SOFFIT PANELS. JOINTS BETWEEN PANELS ALIGN WITH MULLIONS. REFER TO SECTION 9.11 FOR MORE INFORMATION
- LIGHT FIXTURE LENGTH INDICATED ON NOTE
- GYP. CEILING TYPICAL AT TRANSITION BETWEEN RADIANT PANEL AND BULKHEAD. SEE CEILING DETAIL FOR MORE INFORMATION
- COORDINATE LOCATION OF WALL RECESS WITH CEILING AS SHOWN
- PAINT EXPOSED METAL FACE OF SPEAKER GRILLS AND EXPOSED PORTION OF PROJECTOR MOUNT (P-13)
- FLUME HOOD - SHEET METAL ENCLOSURE TO GO UP ABOVE CEILING
- SCIENCE EQUIPMENT - SEE A4.1 FOR MORE INFORMATION
- EMERGENCY SAFETY SHOWER - REFER TO SCIENCE LAB SHEETS
- REFER TO FOOD SERVICE DRAWINGS FOR HOOD LOCATIONS
- EXPOSED GALVANIZED STEEL PLATE - SEE STRUCTURAL. PAINT TO MATCH ADJ. ACM SOFFIT
- MOTORIZED SHADES THIS WALL MOUNTED TO STRUCTURE ABOVE. ALIGN SHADE ENDS WITH MULLIONS. REFER TO TAG FOR QUANTITY OF SHADES ON WALL. REFER TO CEILING DETAILS FOR MOUNTING HEIGHT.
- MOTORIZED SHADE THIS WINDOW MOUNTED TO GYP. BD. JAMBS. REFER TO CEILING DETAILS FOR MOUNTING HEIGHT.
- RECESSED MOTORIZED PROJECTION SCREEN - REFER TO TECHNOLOGY SHEETS.

CEILING TYPES:

TYPE	DESCRIPTION
0	EXPOSED METAL STRUCTURE
1	1/2" PAINTED GYP BOARD ON METAL FRAMING
2	2X2 ACOUSTICAL PANEL SYSTEM
3	5/8" PERFORATED PAINTED ACOUSTICAL GYP BOARD ON METAL FRAMING - 12" ACOUSTICAL BATT INSUL ABOVE CEILING
4	4X4 ACOUSTICAL PANEL CEILING SYSTEM
5	WOOD SLAT CEILING
6	WOOD VENEER PANEL CEILING
7	2X2 VINYL FACE GYP BD CEILING
8	ACM SOFFIT SYSTEM COLOR 1 - REFER TO SECTIONS FOR ADDITIONAL INFORMATION
9	NOT USED
10	PAINTED EXPOSED METAL STRUCTURE (P-2)
11	ACM SOFFIT SYSTEM COLOR 2 - REFER TO SECTIONS FOR ADDITIONAL INFORMATION



1 LEVEL 1 RCP - WEST
 1/8" = 1'-0"





ARCHITECT OF RECORD
DEMONICA KEMPER ARCHITECTS
 125 N. HALSTED STREET, SUITE 301
 CHICAGO, IL 60661
 P: 312.496.0000

STRUCTURAL AND MEP/PFP ENGINEERING
KJWW ENGINEERING CONSULTANTS
 1100 WARRENVILLE RD. SUITE
 400W NAPERVILLE, IL 60563
 P: 630.527.2320

FOOD SERVICE CONSULTANT
CINI LITTLE INTERNATIONAL, INC.
 200 E. HOWARD AVE. SUITE 212
 DES PLAINES, IL 60018
 P: 847.298.0088

CONSTRUCTION MANAGER
JOLIET JUNIOR COLLEGE
 1215 HOUBOLT RD.
 JOLIET, IL 60431
 P: 815.280.2212

**JOLIET JUNIOR COLLEGE
 ROMEOVILLE CAMPUS EXPANSION**
 1125 135th ST. ROMEOVILLE, IL 60446
 DKA PROJECT NO: 14-005

KEY PLAN:

SHEET STATUS: 9/21/15

**ISSUED FOR
 CONSTRUCTION**

NO.	DESCRIPTION	DATE
1		

SHEET TITLE:
**LEVEL 1 REFLECTED
 CEILING PLAN - EAST**

SHEET NUMBER:

A2.12

9/18/2015 9:30:02 AM

RCP SYMBOLS LEGEND:

NOTE: REFER TO M.E.P.F.P. DRAWINGS FOR ADDITIONAL INFORMATION ON MECHANICAL, ELECTRICAL, AND FIRE PROTECTION SYSTEMS

- CEILING TYPE
- CEILING ELEVATION A.F.F.
- SUSPENDED ACOUSTICAL TILE CEILING
- GYPSUM BOARD CEILING OR SOFFIT
- LINEAR WOOD SLAT CEILING SYSTEM
- WOOD PANEL CEILING
- ROLLER SHADE - MANUAL U.O.
- RADIANT CEILING PANELS - REFER TO MECHANICAL DWGS
- TRACK LIGHTING
- RECESSED 2'x2' FLUORESCENT FIXTURE
- SURFACE MOUNT FLUORESCENT LIGHT LINEAR FIXTURE
- SURFACE LIGHT MOUNT FIXTURE
- RECESSED DOWN LIGHT
- RECESSED SQUARE DOWN LIGHT
- PENDANT MOUNT LIGHT
- PENDANT LIGHT MOUNT LINEAR FIXTURE
- SPRINKLER HEAD - SHOWN IN SOME LOCATIONS FOR COORDINATION. REFER TO FIRE PROTECTION DRAWINGS FOR MORE INFORMATION.
- PENDANT LIGHT HUNG FLUORESCENT STRIP FIXTURE
- RECESSED LIGHT LINEAR FLUORESCENT FIXTURE
- PULL DOWN WALL MOUNTED PROJECTION SCREEN - U.O.
- CEILING MOUNTED PROJECTOR - O.F.C.I.
- EXIT SIGN
- SMOKE DETECTOR
- FIRE ALARM DEVICE
- SPEAKER
- CLOSED CIRCUIT CAMERA
- OCCUPANT SENSOR
- WIRELESS ACCESS POINT
- LIGHT SENSOR
- VACANCY SENSOR
- CONTROL JOINT
- RETURN AIR GRILLE
- SUPPLY AIR GRILLE
- LINEAR DIFFUSER - SUPPLY/RETURN

RCP GENERAL NOTES:

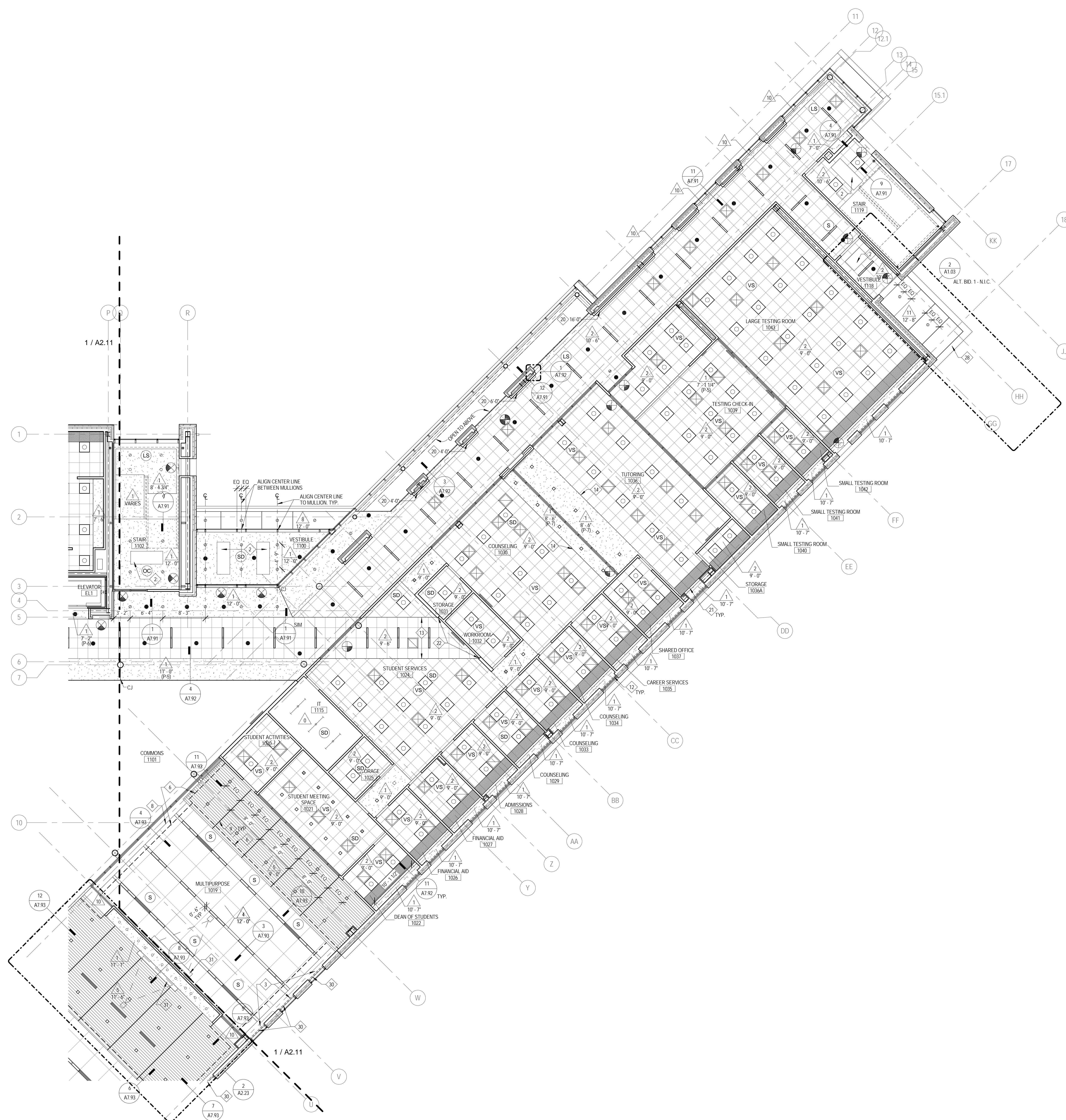
1. ALL HEATING, VENTILATION, ELECTRICAL, PLUMBING, AND FIRE PROTECTION ITEMS ARE SHOWN ON ARCHITECTURAL REFLECTED CEILING PLANS FOR REFERENCE AND COORDINATION ONLY. REFER TO HEATING, VENTILATING, PLUMBING, AND FIRE PROTECTION DRAWINGS FOR ACTUAL QUANTITIES. IN CASE OF CONFLICT THE ARCHITECTURAL REFLECTED CEILING PLAN SHALL GOVERN LOCATION OF THESE ITEMS.
2. CENTER ALL FIXTURES IN CEILING TILES AND FIELD VERIFY GRID LAYOUT FOR PROPER FIXTURE LOCATION. ALIGN ALL FIXTURES IN BOTH DIRECTIONS OF CEILING TILE (UNO).
3. CENTER ALL SPRINKLER HEADS IN CEILING TILES.
4. ALL GYP. BD. CEILINGS TO BE PAINTED P-2 UNLESS OTHERWISE NOTED ON PLANS.
5. EXTEND FACE OF ALL GYP. BD. SOFFITS AND HEADERS TO FINISHED CEILING ABOVE UNO.
6. EXTEND FACE OF ALL GYP. BD. SOFFITS AND HEADERS 6" MIN. BEYOND FINISHED CEILING ABOVE UNO.
7. REFER TO A791 FOR TYPICAL SAT TO GYP. BD. AND GYP. BD. TO GYP. BD. CEILING TRANSITIONS.
8. ALL SPRINKLER HEADS, SPEAKERS, AND GRILLS IN GYP. BD. CEILINGS PAINTED A COLOR OTHER THAN P-2 SHOULD BE PAINTED TO MATCH ADJACENT CEILING COLOR.

RCP REFERENCED NOTES:

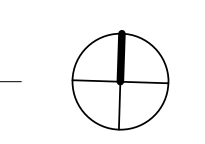
1. ROLLER SHADES AT THESE WINDOWS ARE BLACKOUT SHADES.
2. CABINET UNIT HEATER - REFER TO MECHANICAL DWGS.
3. ROLLER SHADES IN THIS ROOM ARE MOTORIZED.
4. RECESSED TRACK FOR RETRACTABLE SECURITY GATE.
5. 3/4" DIA. STEEL ROD STRUCTURE SUSPENDED FROM STRUCTURE ABOVE. REFER TO STRUCTURAL DRAWINGS. BOTTOM OF RODS AT 8'-6" A.F.F.
6. HEAVY DASHED LINE INDICATES FACE OF GYP BD BULKHEAD ABOVE.
7. JOINT IN ACM CANOPY.
8. PROVIDE 2" PERIMETER TRIM - TYP.
9. LEAVE 1/2" JOINT BETWEEN PANELS.
10. REMOVE WOOD SLAT TO EXTENTS NECESSARY TO INSTALL LINEAR DIFFUSER.
11. DASHED LINE INDICATES PARTITION ABOVE.
12. DASHED LINES INDICATE LOCATION OF MANUAL ROLLER SHADE, TYP.
13. PROVIDE 4" PERIMETER TRIM.
14. PAINT FACE OF SOFFIT P-7.
15. VERIFY HEIGHTS WITH ARCHITECT ON SITE PRIOR TO INSTALLATION - PROVIDE ENOUGH EXCESS CABLE FOR ADJUSTMENTS UP TO 10" IF
16. PROVIDE 2" PERIMETER TRIM.
17. REFER TO INTERIOR ELEVATIONS FOR SPOT ELEVATIONS OF ANGLED CEILINGS.
18. PROVIDE WALL ANGLE AT EDGE.
19. CAST STONE SOFFIT PANELS. JOINTS BETWEEN PANELS ALIGN WITH MULLIONS. REFER TO SECTION DETAIL FOR MORE INFORMATION.
20. LIGHT FIXTURE LENGTH INDICATED ON NOTE.
21. GYP CEILING TYPICAL AT TRANSITION BETWEEN RADIANT PANEL AND BULKHEAD. SEE CEILING DETAIL FOR MORE INFORMATION.
22. COORDINATE LOCATION OF WALL RECESS WITH CEILING AS SHOWN.
23. PAINT EXPOSED METAL FACE OF SPEAKER GRILLS AND EXPOSED PORTION OF PROJECTOR MOUNT (P-13).
24. FLUME HOOD - SHEET METAL ENCLOSURE TO GO UP ABOVE CEILING.
25. SCIENCE EQUIPMENT - SEE A811 FOR MORE INFORMATION.
26. EMERGENCY SAFETY SHOWER REFER TO SCIENCE LAB SHEETS.
27. REFER TO FOOD SERVICE DRAWINGS FOR HOOD LOCATIONS.
28. EXPOSED GALVANIZED STEEL PLATE. SEE STRUCTURAL. PAINT TO MATCH ADJ. ACM SOFFIT.
29. MOTORIZED SHADES THIS WALL MOUNTED TO STRUCTURE ABOVE. ALIGN SHADE ENDS WITH MULLIONS. REFER TO TAG FOR QUANTITY OF SHADES ON WALL. REFER TO CEILING DETAILS FOR MORE INFORMATION.
30. MOTORIZED SHADE THIS WINDOW MOUNTED TO GYP BD JAMBS. REFER TO CEILING DETAILS FOR MOUNTING HEIGHT.
31. RECESSED MOTORIZED PROJECTION SCREEN. REFER TO TECHNOLOGY SHEETS.

CEILING TYPES:

TYPE	DESCRIPTION
0	EXPOSED METAL STRUCTURE
1	1/2" PAINTED GYP BOARD ON METAL FRAMING
2	2'x2' ACOUSTICAL PANEL SYSTEM
3	5/8" PERFORATED PAINTED ACOUSTICAL GYP BOARD ON METAL FRAMING - 12" ACOUSTICAL BATT INSUL ABOVE CEILING
4	4'x4' ACOUSTICAL PANEL CEILING SYSTEM
5	WOOD SLAT CEILING
6	WOOD VENEER PANEL CEILING
7	2'x2' VINYL FACE GYP BD CEILING
8	ACM SOFFIT SYSTEM COLOR 1 - REFER TO SECTIONS FOR ADDITIONAL INFORMATION.
9	NOT USED
10	PAINTED EXPOSED METAL STRUCTURE (P-2)
11	ACM SOFFIT SYSTEM COLOR 2 - REFER TO SECTIONS FOR ADDITIONAL INFORMATION.



1 LEVEL 1 RCP - EAST
 1/8" = 1'-0"





ARCHITECT OF RECORD
DEMONICA KEMPER ARCHITECTS
 125 N. HALSTED STREET, SUITE 301
 CHICAGO, IL 60661
 P: 312.496.0000

STRUCTURAL AND MEP/PFP ENGINEERING
KJWW ENGINEERING CONSULTANTS
 1100 WARRENVILLE RD. SUITE
 400W NAPERVILLE, IL 60563
 P: 630.527.2320

FOOD SERVICE CONSULTANT
CINI LITTLE INTERNATIONAL, INC.
 200 E. HOWARD AVE. SUITE 212
 DES PLAINES, IL 60018
 P: 847.298.0088

CONSTRUCTION MANAGER
JOLIET JUNIOR COLLEGE
 1215 HOUBOLT RD.
 JOLIET, IL 60431
 P: 815.280.2212

JOLIET JUNIOR COLLEGE
ROMEORVILLE CAMPUS EXPANSION
 1125 135th ST. ROMEORVILLE, IL 60446
 DKA PROJECT NO: 14-005

KEY PLAN:

SHEET STATUS: 9/21/15

ISSUED FOR CONSTRUCTION

NO.	DESCRIPTION:	DATE:

SHEET TITLE:
LEVEL 2 REFLECTED CEILING PLAN - WEST

SHEET NUMBER:

A2.21

9/18/2015 9:30:14 AM

RCP SYMBOLS LEGEND:

NOTE: REFER TO M.E.P.P. DRAWINGS FOR ADDITIONAL INFORMATION ON MECHANICAL, ELECTRICAL, AND FIRE PROTECTION SYSTEMS

- CEILING TYPE
- CEILING ELEVATION A.F.F.
- SUSPENDED ACOUSTICAL TILE CEILING
- GYPSUM BOARD CEILING OR SOFFIT
- LINEAR WOOD SLAT CEILING SYSTEM
- WOOD PANEL CEILING
- ROLLER SHADE - MANUAL U.N.O.
- RADIANT CEILING PANELS - REFER TO MECHANICAL DWGS
- TRACK LIGHTING
- RECESSED 2X2 FLUORESCENT FIXTURE
- SURFACE MOUNT FLUORESCENT LIGHT LINEAR FIXTURE
- SURFACE LIGHT MOUNT FIXTURE
- RECESSED DOWN LIGHT
- RECESSED SQUARE DOWN LIGHT
- PENDANT MOUNT LIGHT
- PENDANT LIGHT MOUNT LINEAR FIXTURE
- SPRINKLER HEAD - SHOWN IN SOME LOCATIONS FOR COORDINATION REFER TO FIRE PROTECTION DRAWINGS FOR MORE INFORMATION
- PENDANT LIGHT HUNG FLUORESCENT STRIP FIXTURE
- RECESSED LIGHT LINEAR FLUORESCENT FIXTURE
- PULL DOWN WALL MOUNTED PROJECTION SCREEN - U.N.O.
- CEILING MOUNTED PROJECTOR - O.F.C.I.
- EXIT SIGN
- SMOKE DETECTOR
- FIRE ALARM DEVICE
- SPEAKER
- CLOSED CIRCUIT CAMERA
- OCCUPANT SENSOR
- WIRELESS ACCESS POINT
- LIGHT SENSOR
- VACANCY SENSOR
- CONTROL JOINT
- RETURN AIR GRILLE
- SUPPLY AIR GRILLE
- LINEAR DIFFUSER - SUPPLY/RETURN

RCP GENERAL NOTES:

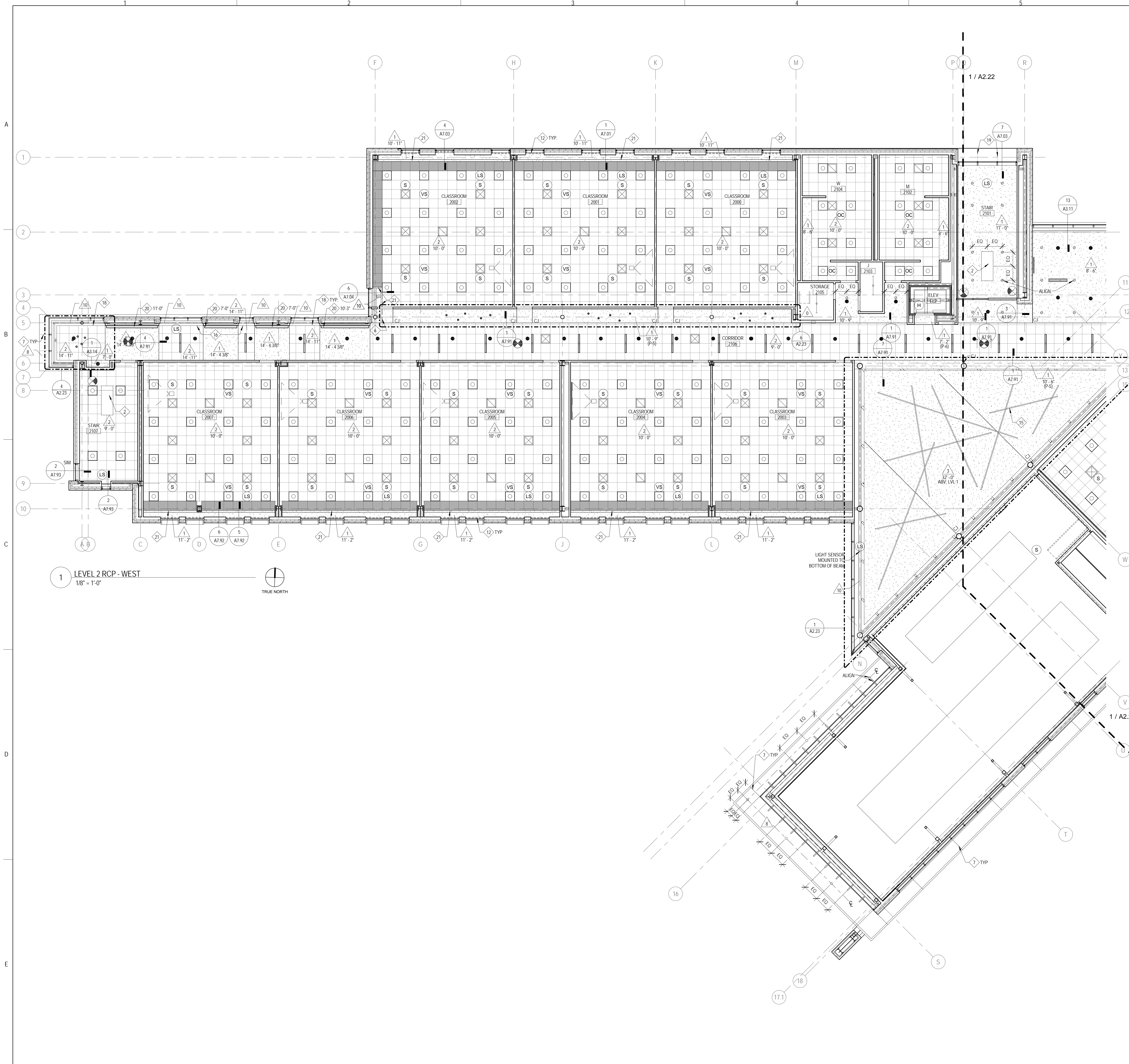
1. ALL HEATING, VENTILATION, ELECTRICAL, PLUMBING, AND FIRE PROTECTION ITEMS ARE SHOWN ON ARCHITECTURAL REFLECTED CEILING PLANS FOR REFERENCE AND COORDINATION ONLY. REFER TO HEATING, VENTILATION, ELECTRICAL, PLUMBING, AND FIRE PROTECTION DRAWINGS FOR ACTUAL QUANTITIES. IN CASE OF CONFLICT THE ARCHITECTURAL REFLECTED CEILING PLAN SHALL GOVERN LOCATION OF THESE ITEMS.
2. CENTER ALL FIXTURES IN CEILING TILES AND FIELD VERIFY GRID LAYOUT FOR PROPER FIXTURE LOCATION. ALIGN ALL FIXTURES IN BOTH DIRECTIONS OF CEILING TILE (UNO).
3. CENTER ALL SPRINKLER HEADS IN CEILING TILES.
4. ALL GYP. BD. CEILINGS TO BE PAINTED P-2 UNLESS OTHERWISE NOTED ON PLANS
5. EXTEND FACE OF ALL GYP. BD. SOFFITS AND HEADERS TO FINISHED CEILING ABOVE U.N.O.
6. EXTEND FACE OF ALL GYP. BD. SOFFITS AND HEADERS 6" MIN. BEYOND FINISHED CEILING ABOVE U.N.O.
7. REFER TO A791 FOR TYPICAL SAT TO GYP. BD. AND GYP. BD. TO GYP. BD. CEILING TRANSITIONS
8. ALL SPRINKLER HEADS, SPEAKERS, AND GRILLS IN GYP. BD. CEILINGS PAINTED A COLOR OTHER THAN P-2 SHOULD BE PAINTED TO MATCH ADJACENT CEILING COLOR

RCP REFERENCED NOTES:

1. ROLLER SHADES AT THESE WINDOWS ARE BLACKOUT SHADES.
2. CABINET UNIT HEATER - REFER TO MECHANICAL DWGS
3. ROLLER SHADES IN THIS ROOM ARE MOTORIZED
4. RECESSED TRACK FOR RETRACTABLE SECURITY GATE
5. 3/4" DIA. STEEL ROD STRUCTURE SUSPENDED FROM STRUCTURE ABOVE. REFER TO STRUCTURAL DRAWINGS. BOTTOM OF RODS AT -8'-6" A.F.F.
6. HEAVY DASHED LINE INDICATES FACE OF GYP BD BULKHEAD ABOVE
7. JOINT IN ACM CANOPY
8. PROVIDE 2" PERIMETER TRIM - TYP
9. LEAVE 1/2" JOINT BETWEEN PANELS
10. REMOVE WOOD SLAT TO EXTENTS NECESSARY TO INSTALL LINEAR DIFFUSER
11. DASHED LINE INDICATES PARTITION ABOVE
12. DASHED LINES INDICATE LOCATION OF MANUAL ROLLER SHADE. TYP
13. PROVIDE 6" PERIMETER TRIM
14. PAINT FACE OF SOFFIT P-2
15. VERIFY HEIGHTS WITH ARCHITECT ON SITE PRIOR TO INSTALLATION - PROVIDE ENOUGH EXCESS TABLE FOR ADJUSTMENTS UP TO 6'-0"
16. PROVIDE 2" PERIMETER TRIM
17. REFER TO INTERIOR ELEVATIONS FOR SPOT ELEVATIONS OF ANGLED CEILINGS
18. PROVIDE WALL ANGLE AT EDGE
19. CAST STONE SOFFIT PANELS. JOINTS BETWEEN PANELS ALIGN WITH MULLIONS. REFER TO SECTION DETAIL FOR MORE INFORMATION.
20. LIGHT FIXTURE. LENGTH INDICATED ON NOTE
21. GYP CEILING TYPICAL AT TRANSITION BETWEEN RADIANT PANEL AND BULKHEAD. SEE CEILING DETAIL FOR MORE INFORMATION.
22. COORDINATE LOCATION OF WALL RECESS WITH CEILING AS SHOWN
23. PAINT EXPOSED METAL FACE OF SPEAKER GRILLS AND EXPOSED PORTION OF PROJECTOR MOUNT (P-10)
24. FUME HOOD - SHEET METAL ENCLOSURE TO GO UP ABOVE CEILING
25. SCIENCE EQUIPMENT - SEE A811 FOR MORE INFORMATION
26. EMERGENCY SAFETY SHOWER. REFER TO SCIENCE LAB SHEETS
27. REFER TO FOOD SERVICE DRAWINGS FOR HOOD LOCATIONS
28. EXPOSED GALVANIZED STEEL PLATE. SEE STRUCTURAL. PAINT TO MATCH ADA ACM SOFFIT
29. MOTORIZED SHADES THIS WALL MOUNTED TO STRUCTURE ABOVE. ALIGN SHADE ENDS WITH MULLIONS. REFER TO TAG FOR QUANTITY OF SHADES ON WALL. REFER TO CEILING DETAILS FOR MORE INFORMATION
30. MOTORIZED SHADE THIS WINDOW MOUNTED TO GYP BD JAMBS. REFER TO CEILING DETAILS FOR MOUNTING HEIGHT
31. PULL DOWN WALL MOUNTED PROJECTION SCREEN. REFER TO TECHNOLOGY SHEETS

CEILING TYPES:

TYPE	DESCRIPTION
0	EXPOSED METAL STRUCTURE
1	1/2" PAINTED GYP BOARD ON METAL FRAMING
2	2X2 ACOUSTICAL PANEL SYSTEM
3	5/8" PERFORATED PAINTED ACOUSTICAL GYP BOARD ON METAL FRAMING - 12" ACOUSTICAL BATT INSUL ABOVE CEILING
4	4X4 ACOUSTICAL PANEL CEILING SYSTEM
5	WOOD SLAT CEILING
6	WOOD VENEER PANEL CEILING
7	2X2 VINYL FACE GYP BD CEILING
8	ACM SOFFIT SYSTEM COLOR 1 - REFER TO SECTIONS FOR ADDITIONAL INFORMATION
9	NOT USED
10	PAINTED EXPOSED METAL STRUCTURE (P-2)
11	ACM SOFFIT SYSTEM COLOR 2 - REFER TO SECTIONS FOR ADDITIONAL INFORMATION



1 LEVEL 2 RCP - WEST
 1/8" = 1'-0"





ARCHITECT OF RECORD
DEMONICA KEMPER ARCHITECTS
 125 N. HALSTED STREET, SUITE 301
 CHICAGO, IL 60661
 P: 312.496.0000

STRUCTURAL AND MEPFP ENGINEERING
KJWW ENGINEERING CONSULTANTS
 1100 WARRENVILLE RD. SUITE
 400W NAPERVILLE, IL 60563
 P: 630.527.2320

FOOD SERVICE CONSULTANT
CINI LITTLE INTERNATIONAL, INC.
 200 E. HOWARD AVE. SUITE 212
 DES PLAINES, IL 60018
 P: 847.298.0088

CONSTRUCTION MANAGER
JOLIET JUNIOR COLLEGE
 1215 HOUBOLT RD.
 JOLIET, IL 60431
 P: 815.280.2212

JOLIET JUNIOR COLLEGE
ROMEORVILLE CAMPUS EXPANSION
 1125 135th ST. ROMEORVILLE, IL 60446
 DKA PROJECT NO: 14-005

KEY PLAN:

SHEET STATUS: 9/21/15

ISSUED FOR CONSTRUCTION

NO. DESCRIPTION: DATE:

SHEET TITLE:

LEVEL 2 REFLECTED CEILING PLAN - EAST

SHEET NUMBER:

A2.22

9/18/2015 9:30:31 AM

RCP SYMBOLS LEGEND:

NOTE: REFER TO M.E.P.F. DRAWINGS FOR ADDITIONAL INFORMATION ON MECHANICAL, ELECTRICAL, AND FIRE PROTECTION SYSTEMS

- CEILING TYPE
- CEILING ELEVATION A.F.F.
- SUSPENDED ACOUSTICAL TILE CEILING
- GYPSUM BOARD CEILING OR SOFFIT
- LINEAR WOOD SLAT CEILING SYSTEM
- WOOD PANEL CEILING
- ROLLER SHADE - MANUAL U.O.
- RADIANT CEILING PANELS - REFER TO MECHANICAL DWGS
- TRACK LIGHTING
- RECESSED 2x2 FLUORESCENT FIXTURE
- SURFACE MOUNT FLUORESCENT LIGHT LINEAR FIXTURE
- SURFACE LIGHT MOUNT FIXTURE
- RECESSED DOWN LIGHT
- RECESSED SQUARE DOWN LIGHT
- PENDANT MOUNT LIGHT
- PENDANT LIGHT MOUNT LINEAR FIXTURE
- SPRINKLER HEAD - SHOWN IN SOME LOCATIONS FOR COORDINATION. REFER TO FIRE PROTECTION DRAWINGS FOR MORE INFORMATION
- PENDANT LIGHT HUNG FLUORESCENT STRIP FIXTURE
- RECESSED LIGHT LINEAR FLUORESCENT FIXTURE
- PULL DOWN WALL MOUNTED PROJECTION SCREEN - U.O.
- CEILING MOUNTED PROJECTOR - O.F.C.I.
- EXIT SIGN
- SMOKE DETECTOR
- FIRE ALARM DEVICE
- SPEAKER
- CLOSED CIRCUIT CAMERA
- OCCUPANT SENSOR
- WIRELESS ACCESS POINT
- LIGHT SENSOR
- VACANCY SENSOR
- CONTROL JOINT
- RETURN AIR GRILLE
- SUPPLY AIR GRILLE
- LINEAR DIFFUSER - SUPPLY/RETURN

RCP GENERAL NOTES:

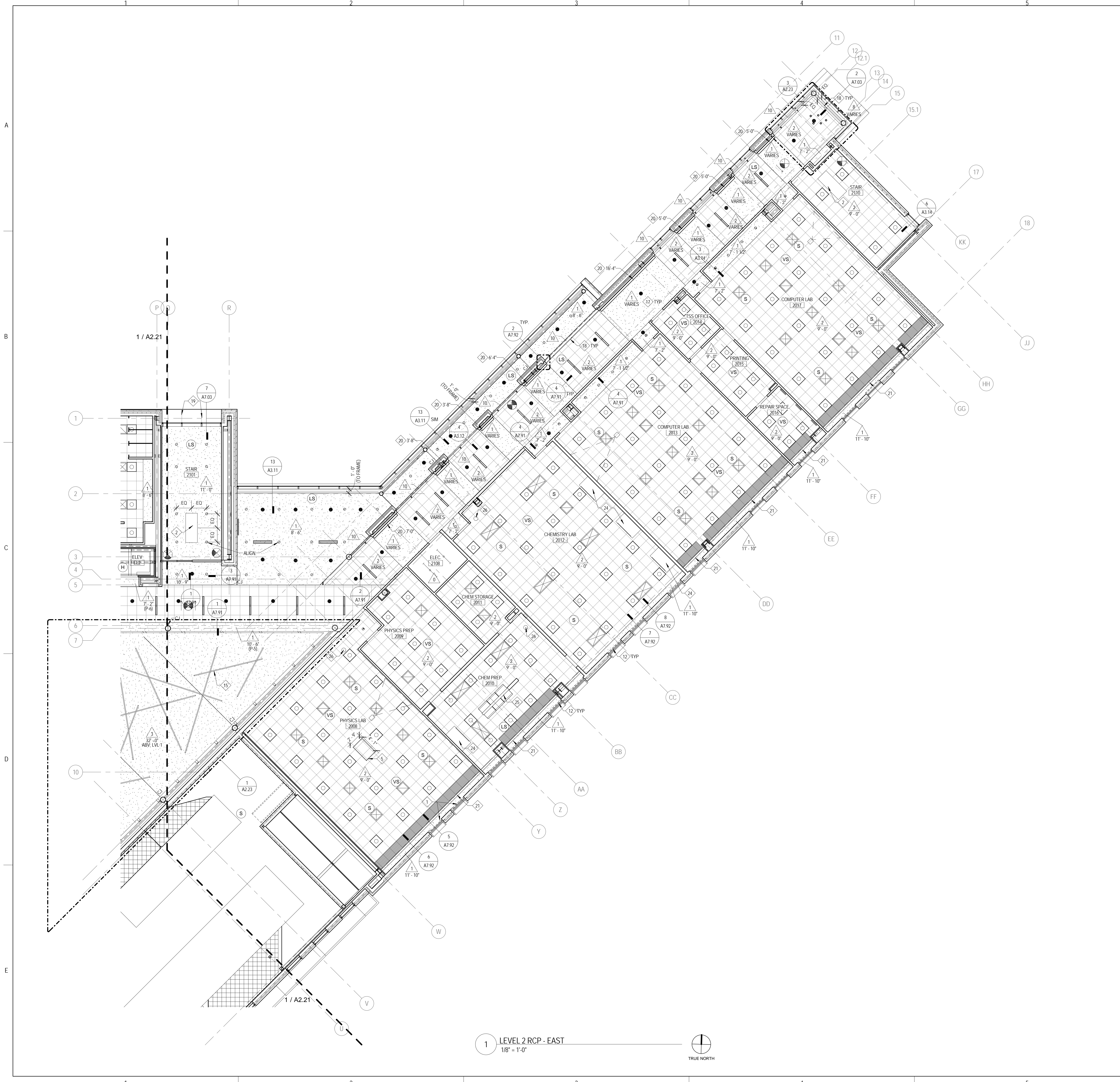
1. ALL HEATING, VENTILATION, ELECTRICAL, PLUMBING, AND FIRE PROTECTION ITEMS ARE SHOWN ON ARCHITECTURAL REFLECTED CEILING PLANS FOR REFERENCE AND COORDINATION ONLY. REFER TO HEATING, VENTILATION, AND FIRE PROTECTION DRAWINGS FOR ACTUAL QUANTITIES. IN CASE OF CONFLICT THE ARCHITECTURAL REFLECTED CEILING PLAN SHALL GOVERN LOCATION OF THESE ITEMS.
2. CENTER ALL FIXTURES ON CEILING TILES AND FIELD VERIFY GRID LAYOUT FOR PROPER FIXTURE LOCATION. ALIGN ALL FIXTURES IN BOTH DIRECTIONS OF CEILING TILE (UNO).
3. CENTER ALL SPRINKLER HEADS IN CEILING TILES.
4. ALL GYP. BD. CEILINGS TO BE PAINTED P-2 UNLESS OTHERWISE NOTED ON PLANS.
5. EXTEND FACE OF ALL GYP. BD. SOFFITS AND HEADERS TO FINISHED CEILING ABOVE U.O.
6. EXTEND FACE OF ALL GYP. BD. SOFFITS AND HEADERS 6" MIN. BEYOND FINISHED CEILING ABOVE U.O.
7. REFER TO A7/91 FOR TYPICAL SAT TO GYP. BD. AND GYP. BD. TO GYP. BD. CEILING TRANSITIONS.
8. ALL SPRINKLER HEADS, SPEAKERS, AND GRILLS IN GYP. BD. CEILINGS PAINTED A COLOR OTHER THAN P-2 SHOULD BE PAINTED TO MATCH ADJACENT CEILING COLOR.

RCP REFERENCED NOTES:

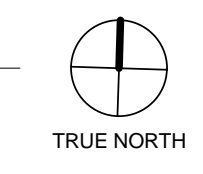
1. ROLLER SHADES AT THESE WINDOWS ARE BLACKOUT SHADES.
2. CABINET UNIT HEATER - REFER TO MECHANICAL DWGS
3. ROLLER SHADES IN THIS ROOM ARE MOTORIZED
4. RECESSED TRACK FOR RETRACTABLE SECURITY GATE
5. 3/4" DIA. STEEL ROD STRUCTURE SUSPENDED FROM STRUCTURE ABOVE. REFER TO STRUCTURAL DRAWINGS. BOTTOM OF RODS AT -8'-6" A.F.F.
6. HEAVY DASHED LINE INDICATES FACE OF GYP BD BULKHEAD ABOVE
7. JOINT IN ACM CANOPY
8. PROVIDE 2" PERIMETER TRIM - TYP.
9. LEAVE 1/2" JOINT BETWEEN PANELS
10. REMOVE WOOD SLAT TO EXTENTS NECESSARY TO INSTALL LINEAR DIFFUSER
11. DASHED LINE INDICATES PARTITION ABOVE
12. DASHED LINES INDICATE LOCATION OF MANUAL ROLLER SHADE. TYP.
13. PROVIDE 6" PERIMETER TRIM
14. PAINT FACE OF SOFFIT P-7
15. VERIFY HEIGHTS WITH ARCHITECT ON SITE PRIOR TO INSTALLATION - PROVIDE ENOUGH EXCESS CABLE FOR ADJUSTMENTS UP TO 4'-0"
16. PROVIDE 2" PERIMETER TRIM
17. REFER TO INTERIOR ELEVATIONS FOR SPOT ELEVATIONS OF ANGLED CEILINGS
18. PROVIDE WALL ANGLE AT EDGE
19. CAST STONE SOFFIT PANELS. JOINTS BETWEEN PANELS ALIGN WITH MULLIONS. REFER TO SECTION DETAIL FOR MORE INFORMATION.
20. LIGHT FIXTURE LENGTH INDICATED ON NOTE.
21. GYP CEILING TYPICAL AT TRANSITION BETWEEN RADIANT PANEL AND BULKHEAD. SEE CEILING DETAIL FOR MORE INFORMATION.
22. COORDINATE LOCATION OF WALL RECESS WITH CEILING AS SHOWN
23. PAINT EXPOSED METAL FACE OF SPEAKER GRILLS AND EXPOSED PORTION OF PROJECTOR MOUNT (P-13)
24. FLAME HOOD - SHEET METAL ENCLOSURE TO GO UP ABOVE CEILING
25. SCIENCE EQUIPMENT - SEE A8/11 FOR MORE INFORMATION
26. EMERGENCY SAFETY SHOWER - REFER TO SCIENCE LAB SHEETS
27. REFER TO FOOD SERVICE DRAWINGS FOR HOOD LOCATIONS
28. EXPOSED GALVANIZED STEEL PLATE. SEE STRUCTURAL PAINT TO MATCH ADJ. ACM SOFFIT
29. MOTORIZED SHADES THIS WALL MOUNTED TO STRUCTURE ABOVE. ALIGN SHADE ENDS WITH MULLIONS. REFER TO TAG FOR QUANTITY OF SHADES ON WALL. REFER TO CEILING DETAILS FOR MORE INFORMATION.
30. MOTORIZED SHADE THIS WINDOW MOUNTED TO GYP BD. JAMBS. REFER TO CEILING DETAILS FOR MOUNTING HEIGHT.
31. REFER TO TECHNOLOGY DRAWINGS FOR PROJECTION SCREEN. REFER TO TECHNOLOGY SHEETS.

CEILING TYPES:

TYPE	DESCRIPTION
0	EXPOSED METAL STRUCTURE
1	12" PAINTED GYP BOARD ON METAL FRAMING
2	2X2 ACOUSTICAL PANEL SYSTEM
3	5/8" PERFORATED PAINTED ACOUSTICAL GYP BOARD ON METAL FRAMING - 12" ACOUSTICAL BATT INSUL ABOVE CEILING
4	4X4 ACOUSTICAL PANEL CEILING SYSTEM
5	WOOD SLAT CEILING
6	WOOD VENEER PANEL CEILING
7	2X2 VINYL FACE GYP BD CEILING
8	ACM SOFFIT SYSTEM COLOR 1 - REFER TO SECTIONS FOR ADDITIONAL INFORMATION
9	NOT USED
10	PAINTED EXPOSED METAL STRUCTURE (P-2)
11	ACM SOFFIT SYSTEM COLOR 2 - REFER TO SECTIONS FOR ADDITIONAL INFORMATION



1 LEVEL 2 RCP - EAST
 1/8" = 1'-0"





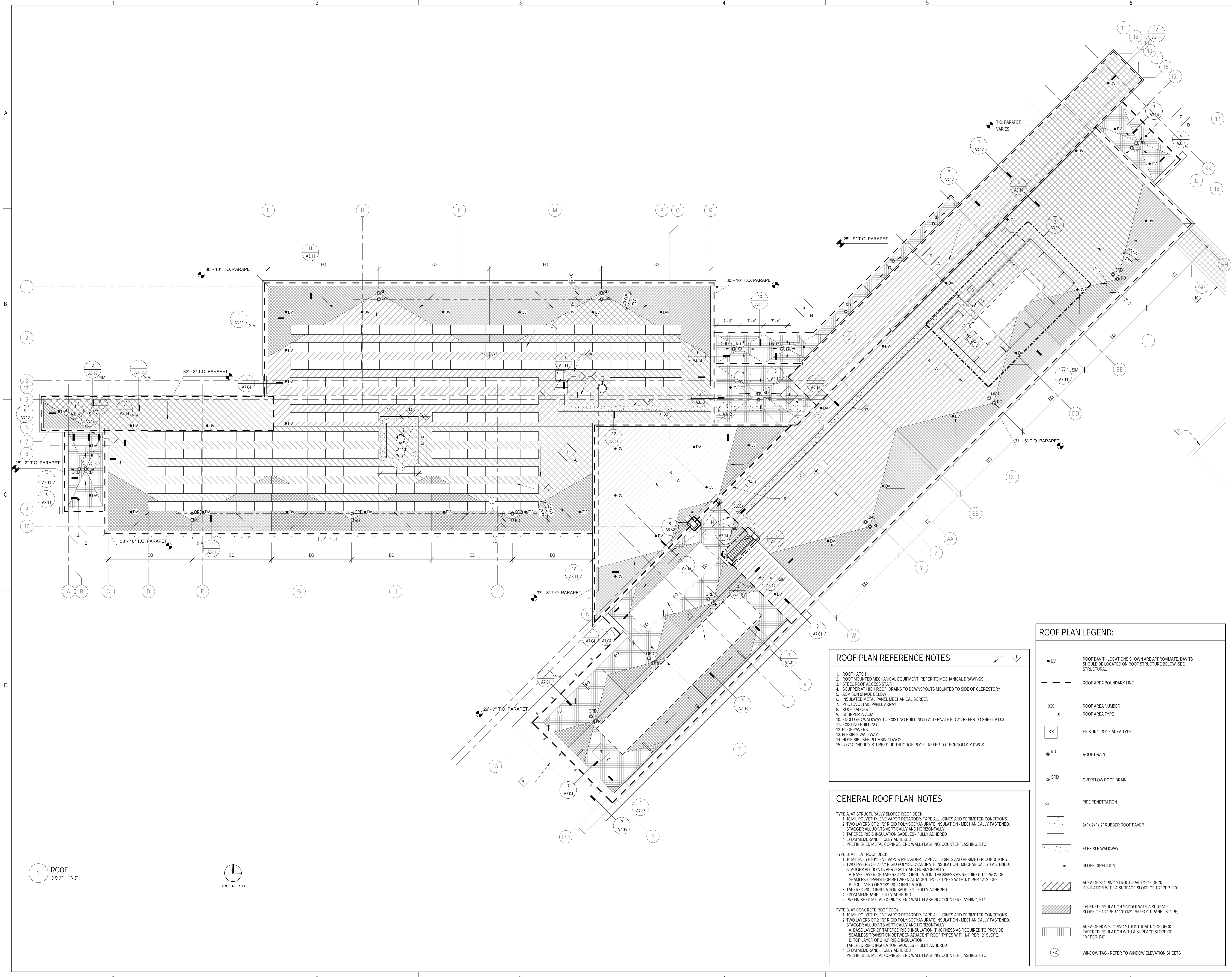
ARCHITECT OF RECORD
DEMONICA KEMPER ARCHITECTS
 125 N. HALSTED STREET, SUITE 301
 CHICAGO, IL 60661
 P: 312.496.0000

STRUCTURAL AND MEP/FP ENGINEERING
KJWW ENGINEERING CONSULTANTS
 1100 WARRENVILLE RD. SUITE
 400W NAPERVILLE, IL 60563
 P: 630.527.2320

FOOD SERVICE CONSULTANT
CINI LITTLE INTERNATIONAL, INC.
 200 E. HOWARD AVE. SUITE 212
 DES PLAINES, IL 60018
 P: 847.298.0088

CONSTRUCTION MANAGER
JOLIET JUNIOR COLLEGE
 1215 HOUBOLT RD.
 JOLIET, IL 60431
 P: 815.280.2212

**JOLIET JUNIOR COLLEGE
 ROMEOVILLE CAMPUS EXPANSION**
 1125 135th ST. ROMEOVILLE, IL 60446
 DKA PROJECT NO: 14-005



ROOF PLAN REFERENCE NOTES:

- ROOF HATCH
- ROOF MOUNTED MECHANICAL EQUIPMENT. REFER TO MECHANICAL DRAWINGS.
- STEEL ROOF ACCESS STAIR
- SCUPPER AT HIGH ROOF. DRAINS TO DOWNSPOUTS MOUNTED TO SIDE OF CLERESTORY
- ACM SUN SHADE BELOW
- INSULATED METAL PANEL MECHANICAL SCREEN
- PHOTOVOLTAIC PANEL ARRAY
- ROOF LADDER
- SCUPPER IN ACM
- ENCLOSED WALKWAY TO EXISTING BUILDING IS ALTERNATE BID #1. REFER TO SHEET A1.03
- EXISTING BUILDING
- ROOF PAVERS
- FLEXIBLE WALKWAY
- HOSE BIB - SEE PLUMBING DWGS
- (2) 2" CONDUITS STUBBED UP THROUGH ROOF - REFER TO TECHNOLOGY DWGS.

GENERAL ROOF PLAN NOTES:

TYPE A, AT STRUCTURALLY SLOPED ROOF DECK:

- 10 ML POLYETHYLENE VAPOR RETARDER. TAPE ALL JOINTS AND PERIMETER CONDITIONS
- TWO LAYERS OF 2 1/2" RIGID POLYISOCYANURATE INSULATION - MECHANICALLY FASTENED. STAGGER ALL JOINTS VERTICALLY AND HORIZONTALLY.
- BASE LAYER OF TAPERED RIGID INSULATION. THICKNESS AS REQUIRED TO PROVIDE SEAMLESS TRANSITION BETWEEN ADJACENT ROOF TYPES WITH 1/4" PER 12" SLOPE.
- TOP LAYER OF 2 1/2" RIGID INSULATION
- TAPERED RIGID INSULATION SADDLES - FULLY ADHERED
- EPDM MEMBRANE - FULLY ADHERED
- PREFINISHED METAL COPINGS, END WALL FLASHING, COUNTERFLASHING, ETC.

TYPE B, AT FLAT ROOF DECK:

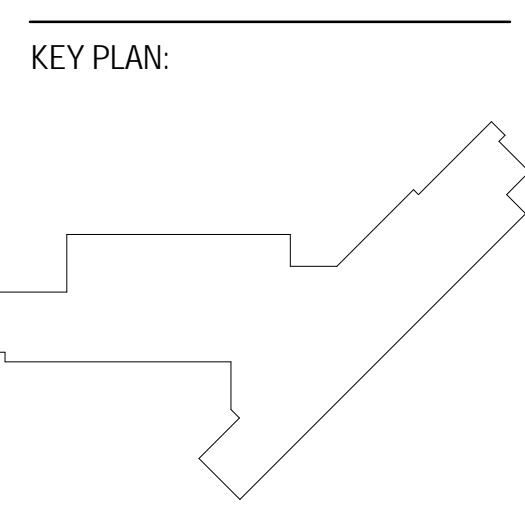
- 10 ML POLYETHYLENE VAPOR RETARDER. TAPE ALL JOINTS AND PERIMETER CONDITIONS
- TWO LAYERS OF 2 1/2" RIGID POLYISOCYANURATE INSULATION - MECHANICALLY FASTENED. STAGGER ALL JOINTS VERTICALLY AND HORIZONTALLY.
- BASE LAYER OF TAPERED RIGID INSULATION. THICKNESS AS REQUIRED TO PROVIDE SEAMLESS TRANSITION BETWEEN ADJACENT ROOF TYPES WITH 1/4" PER 12" SLOPE.
- TOP LAYER OF 2 1/2" RIGID INSULATION
- TAPERED RIGID INSULATION SADDLES - FULLY ADHERED
- EPDM MEMBRANE - FULLY ADHERED
- PREFINISHED METAL COPINGS, END WALL FLASHING, COUNTERFLASHING, ETC.

TYPE C, AT CONCRETE ROOF DECK:

- 10 ML POLYETHYLENE VAPOR RETARDER. TAPE ALL JOINTS AND PERIMETER CONDITIONS
- TWO LAYERS OF 2 1/2" RIGID POLYISOCYANURATE INSULATION - MECHANICALLY FASTENED. STAGGER ALL JOINTS VERTICALLY AND HORIZONTALLY.
- BASE LAYER OF TAPERED RIGID INSULATION. THICKNESS AS REQUIRED TO PROVIDE SEAMLESS TRANSITION BETWEEN ADJACENT ROOF TYPES WITH 1/4" PER 12" SLOPE.
- TOP LAYER OF 2 1/2" RIGID INSULATION
- TAPERED RIGID INSULATION SADDLES - FULLY ADHERED
- EPDM MEMBRANE - FULLY ADHERED
- PREFINISHED METAL COPINGS, END WALL FLASHING, COUNTERFLASHING, ETC.

ROOF PLAN LEGEND:

● DV	ROOF DAVIT. LOCATIONS SHOWN ARE APPROXIMATE. DAVITS SHOULD BE LOCATED ON ROOF STRUCTURE BELOW. SEE STRUCTURAL.
---	ROOF AREA BOUNDARY LINE
XX	ROOF AREA NUMBER
XX	ROOF AREA TYPE
XX	EXISTING ROOF AREA TYPE
RD	ROOF DRAIN
ORD	OVERFLOW ROOF DRAIN
○	PIPE PENETRATION
24" x 24" x 2"	RUBBER ROOF PAVES
---	FLEXIBLE WALKWAY
→	SLOPE DIRECTION
▨	AREA OF SLOPING STRUCTURAL ROOF DECK INSULATION WITH A SURFACE SLOPE OF 1/4" PER 1'-0"
▨	TAPERED INSULATION SADDLE WITH A SURFACE SLOPE OF 1/4" PER 1'-0" (1/2" PER FOOT PANEL SLOPE)
▨	AREA OF NON SLOPING STRUCTURAL ROOF DECK INSULATION WITH A SURFACE SLOPE OF 1/4" PER 1'-0"
XX	WINDOW TAG - REFER TO WINDOW ELEVATION SHEETS

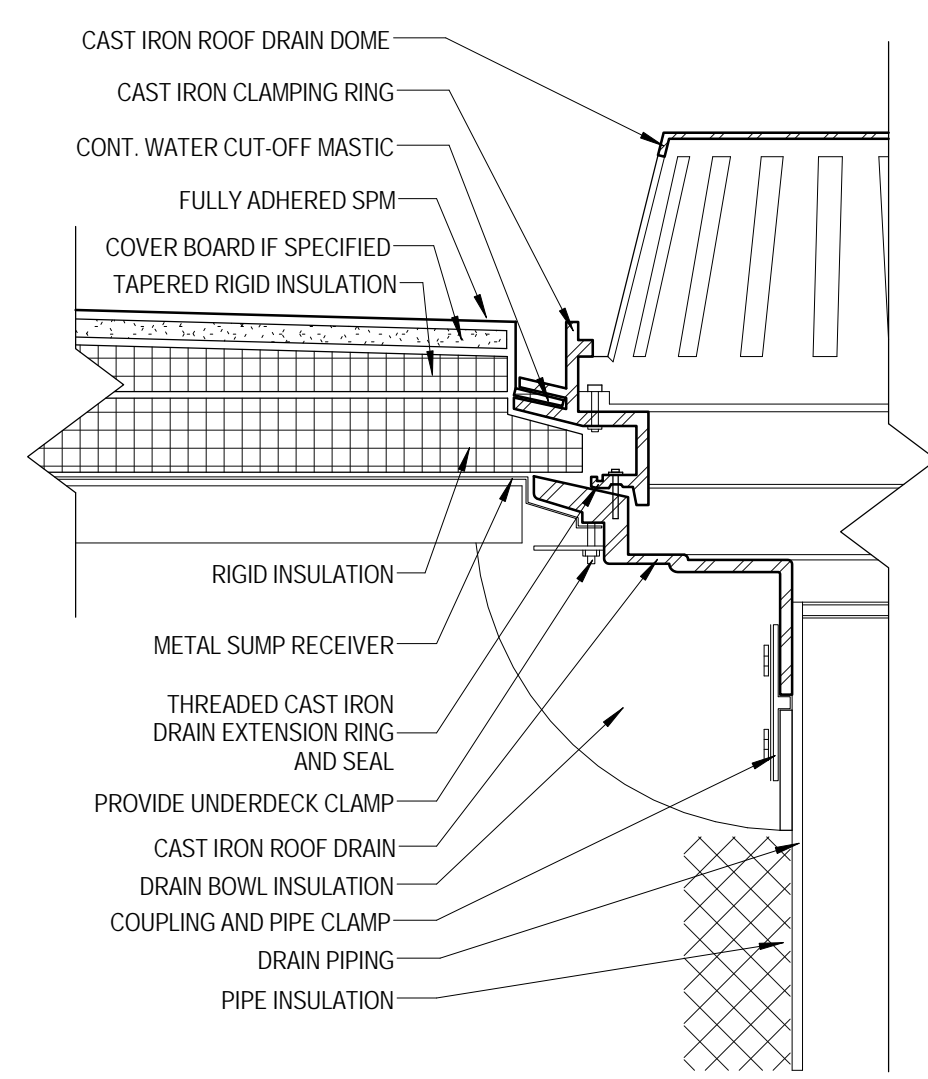


SHEET STATUS: 9/21/15
ISSUED FOR CONSTRUCTION

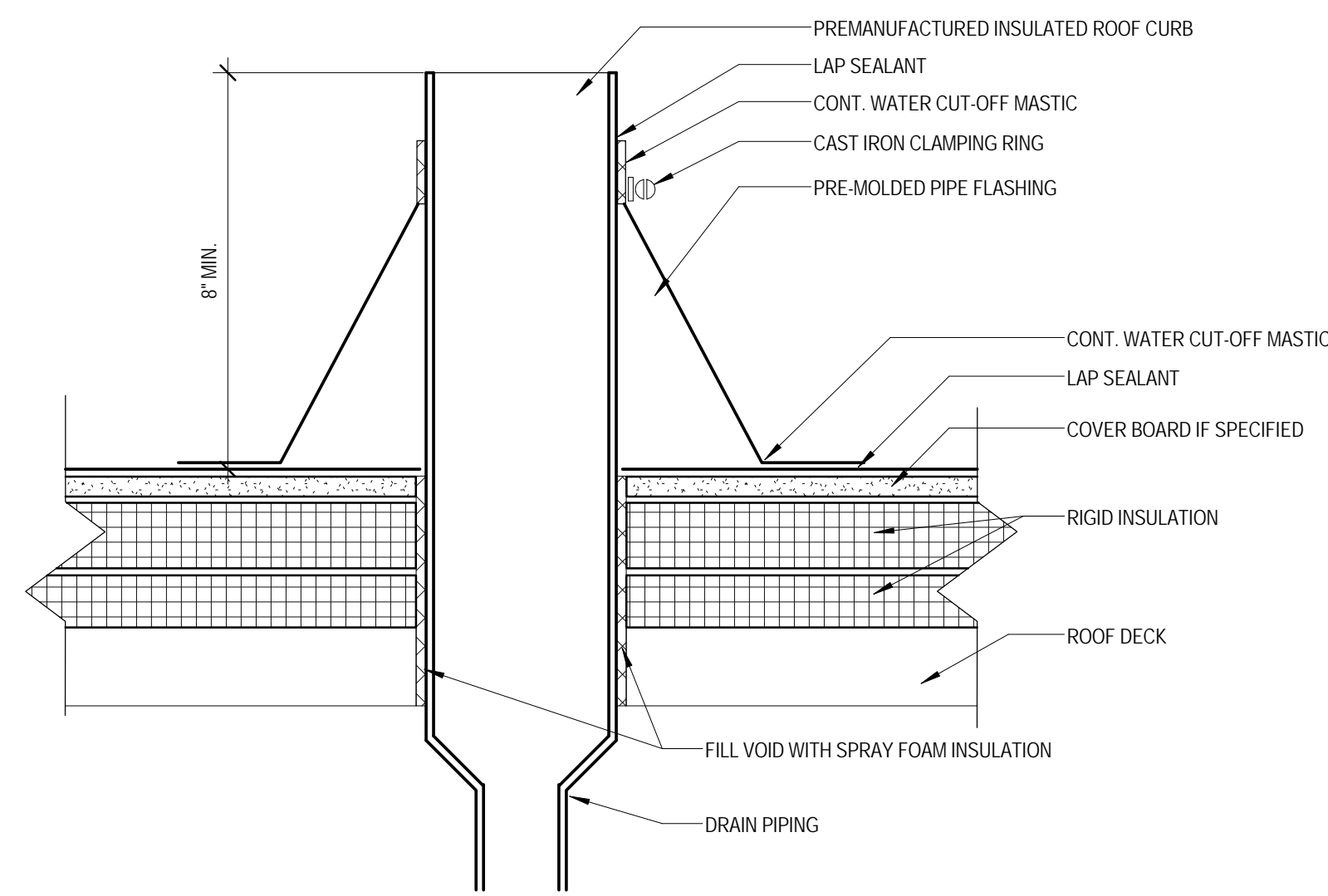
NO.	DESCRIPTION:	DATE:

SHEET TITLE:
ROOF PLAN

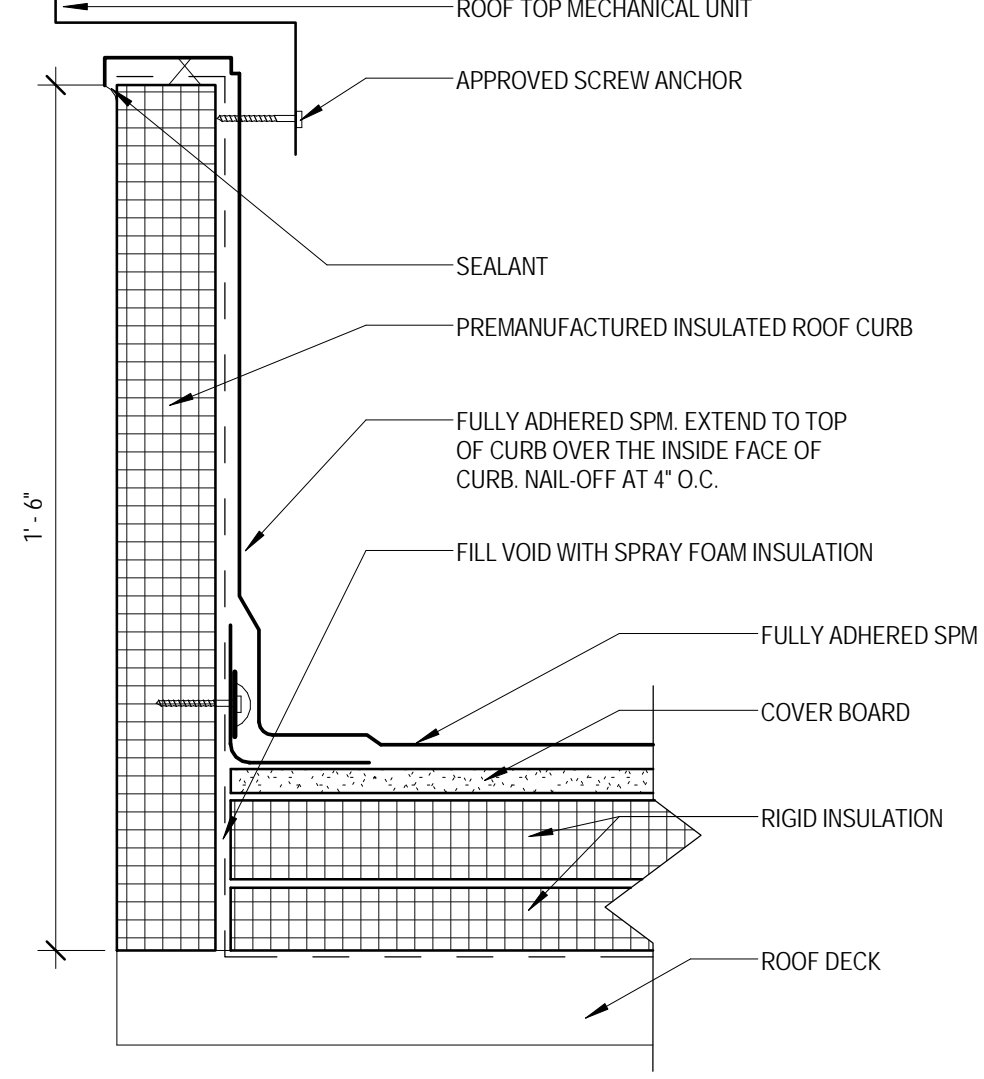
SHEET NUMBER:
A3.01



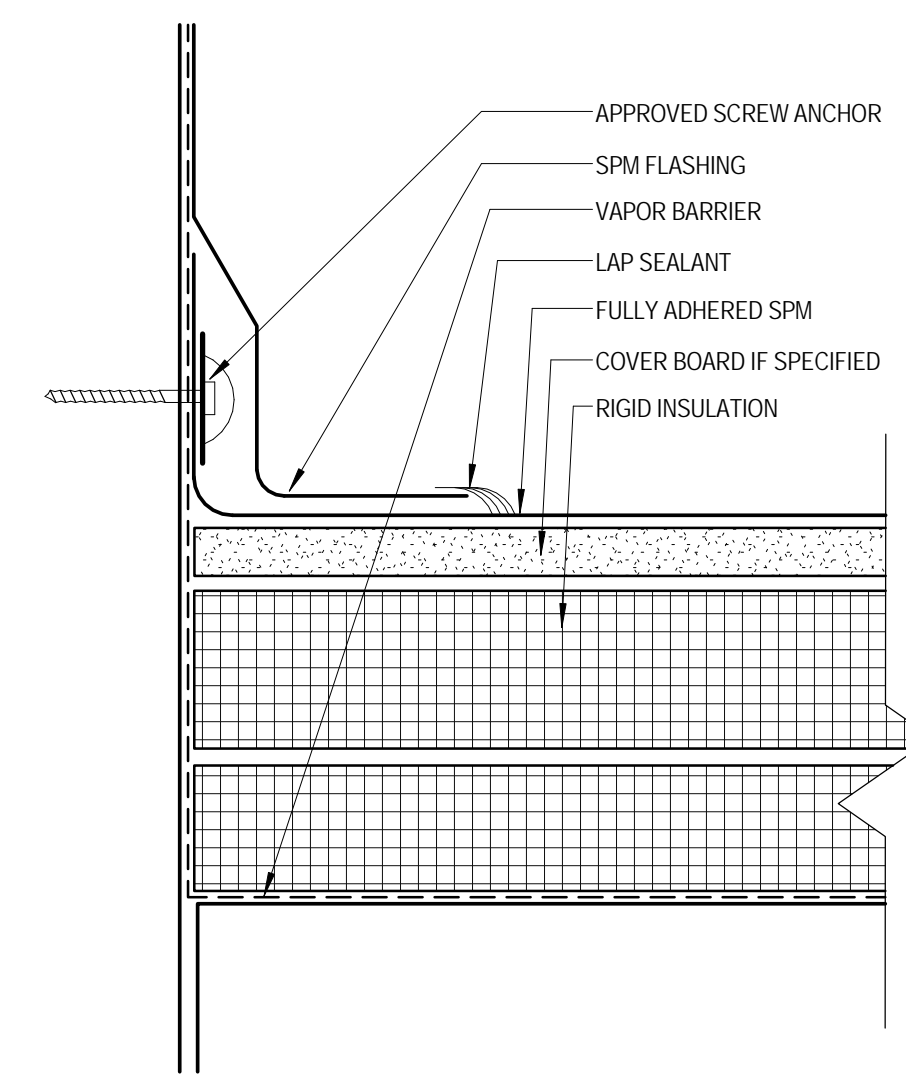
1 NEW ROOF DRAIN
3" = 1'-0"



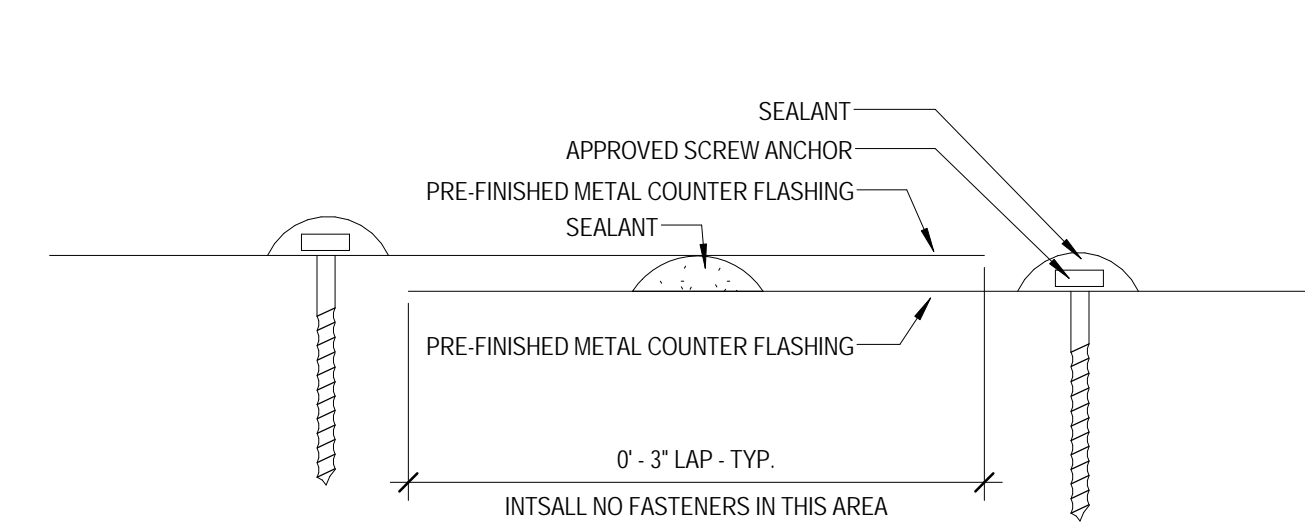
2 PIPE PENETRATION DETAIL
3" = 1'-0"



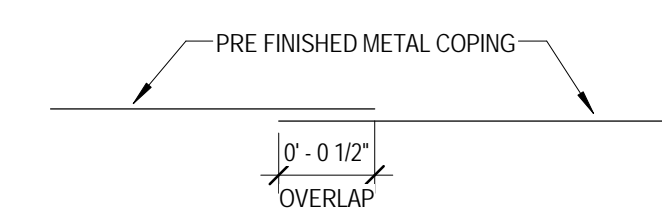
3 SECTION OF ROOF CURB
3" = 1'-0"



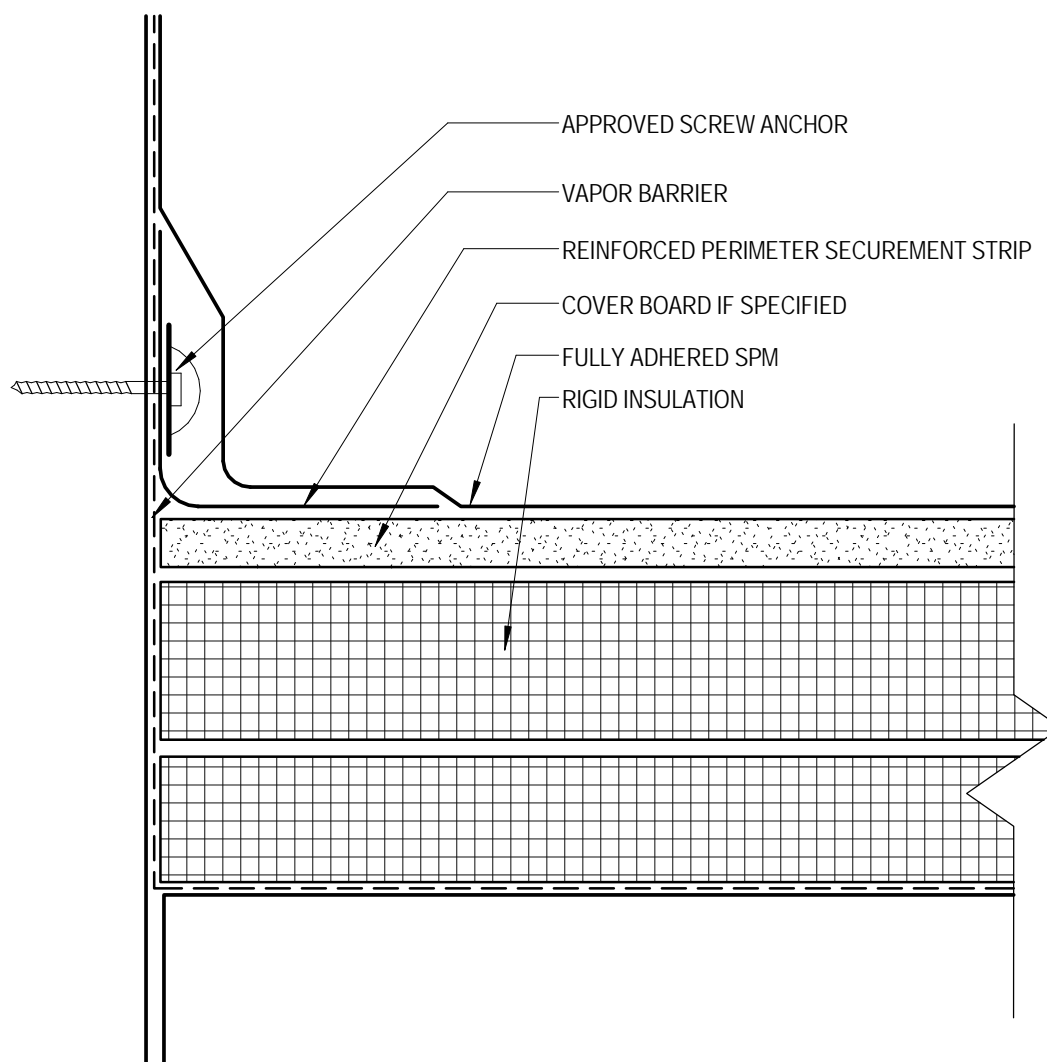
4 ROOF CURB BASE SECUREMENT DETAIL
6" = 1'-0"



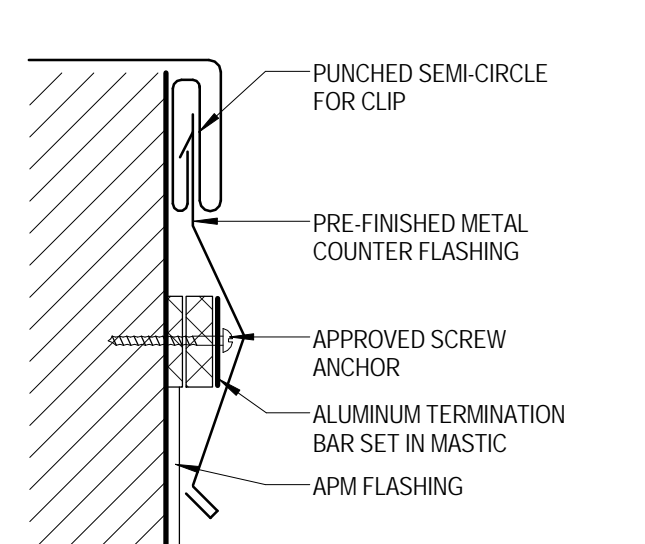
5 TYP. COUNTERFLASHING LAP JOINT
12" = 1'-0"



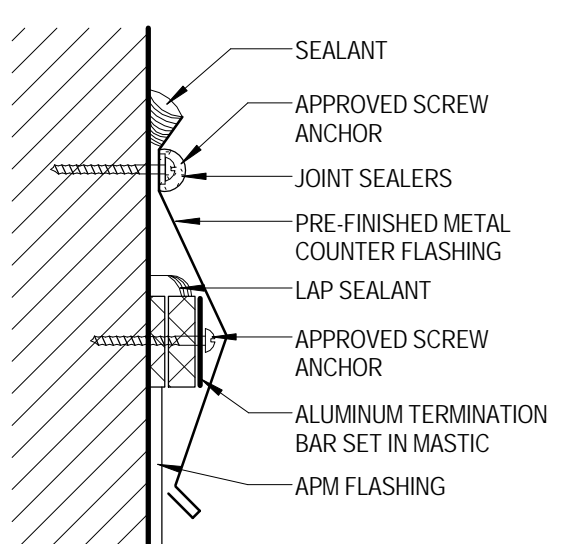
6 TYP. VERTICAL COPING JOINT
12" = 1'-0"



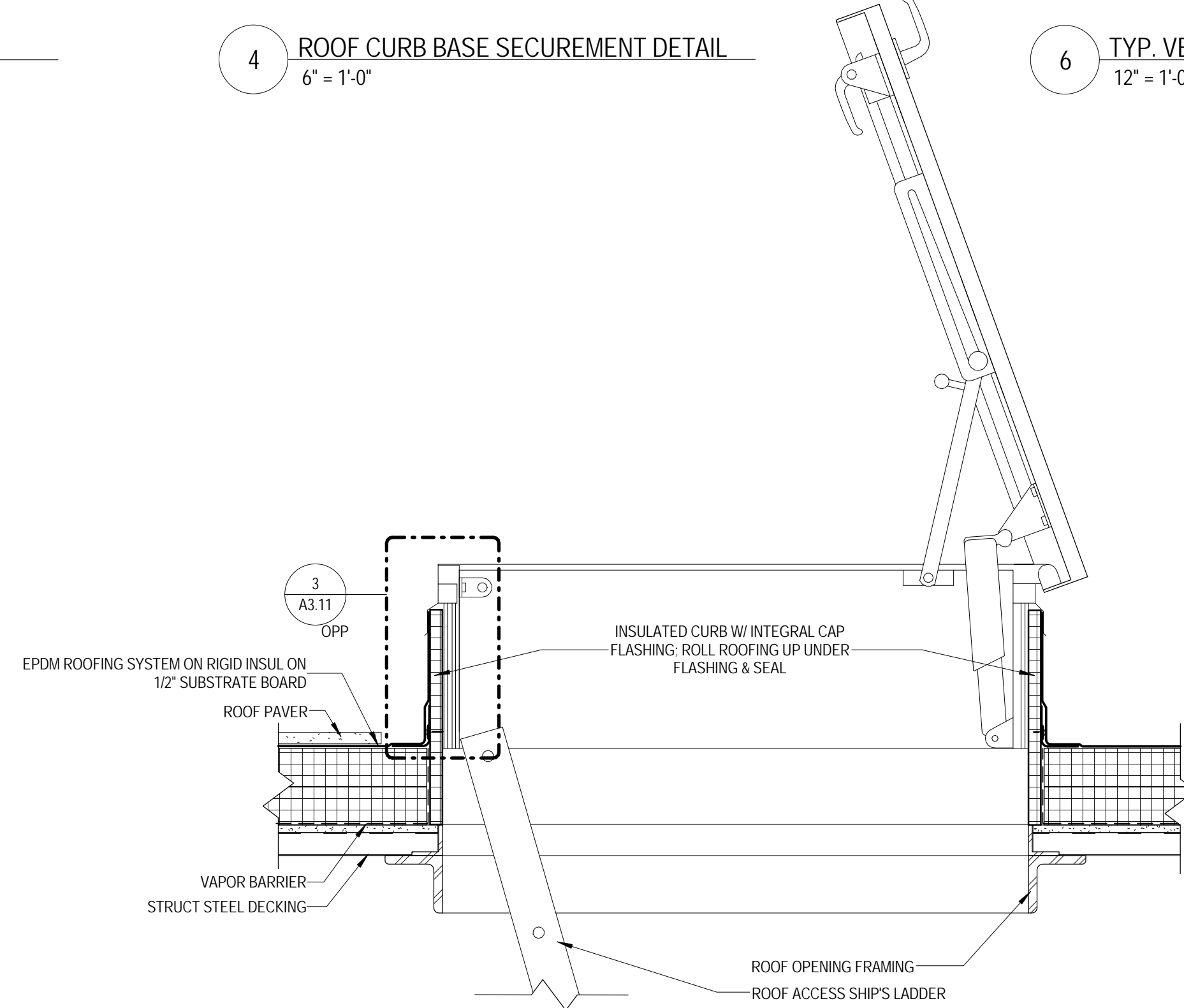
7 PERIMETER SECUREMENT DETAIL
6" = 1'-0"



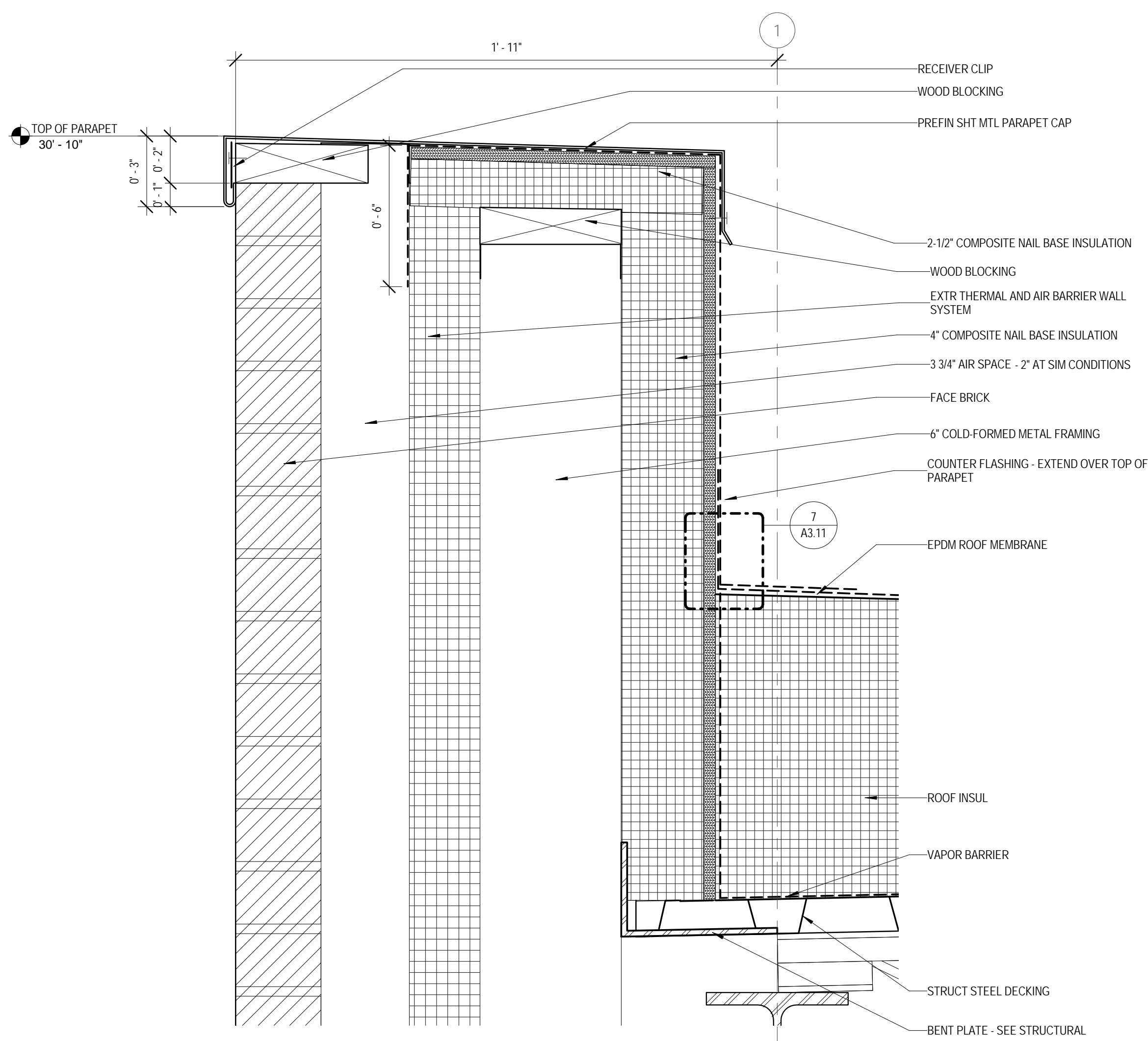
8 COUNTERFLASHING
6" = 1'-0"



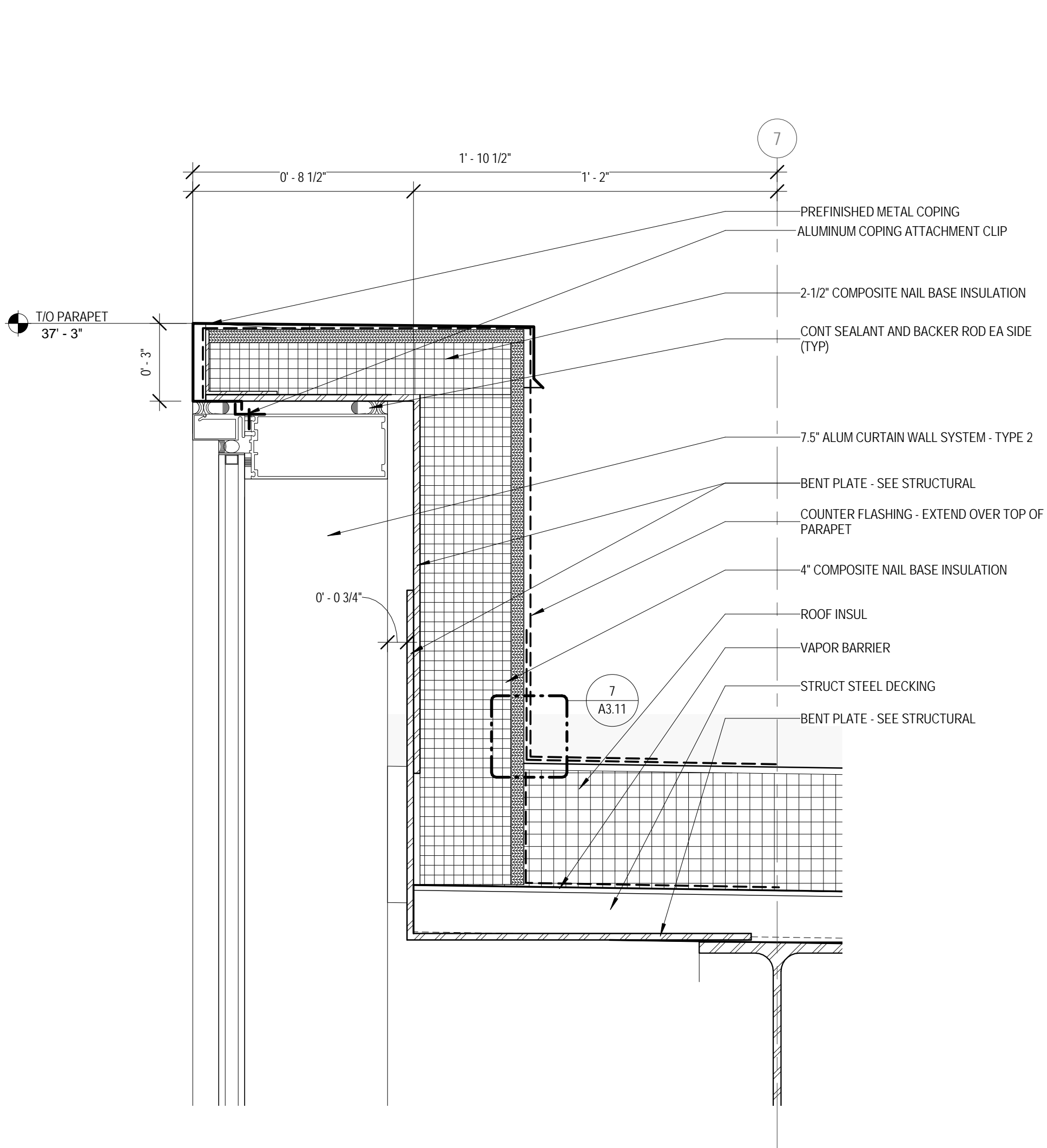
9 COUNTERFLASHING/SPM TERMINATION DETAIL
6" = 1'-0"



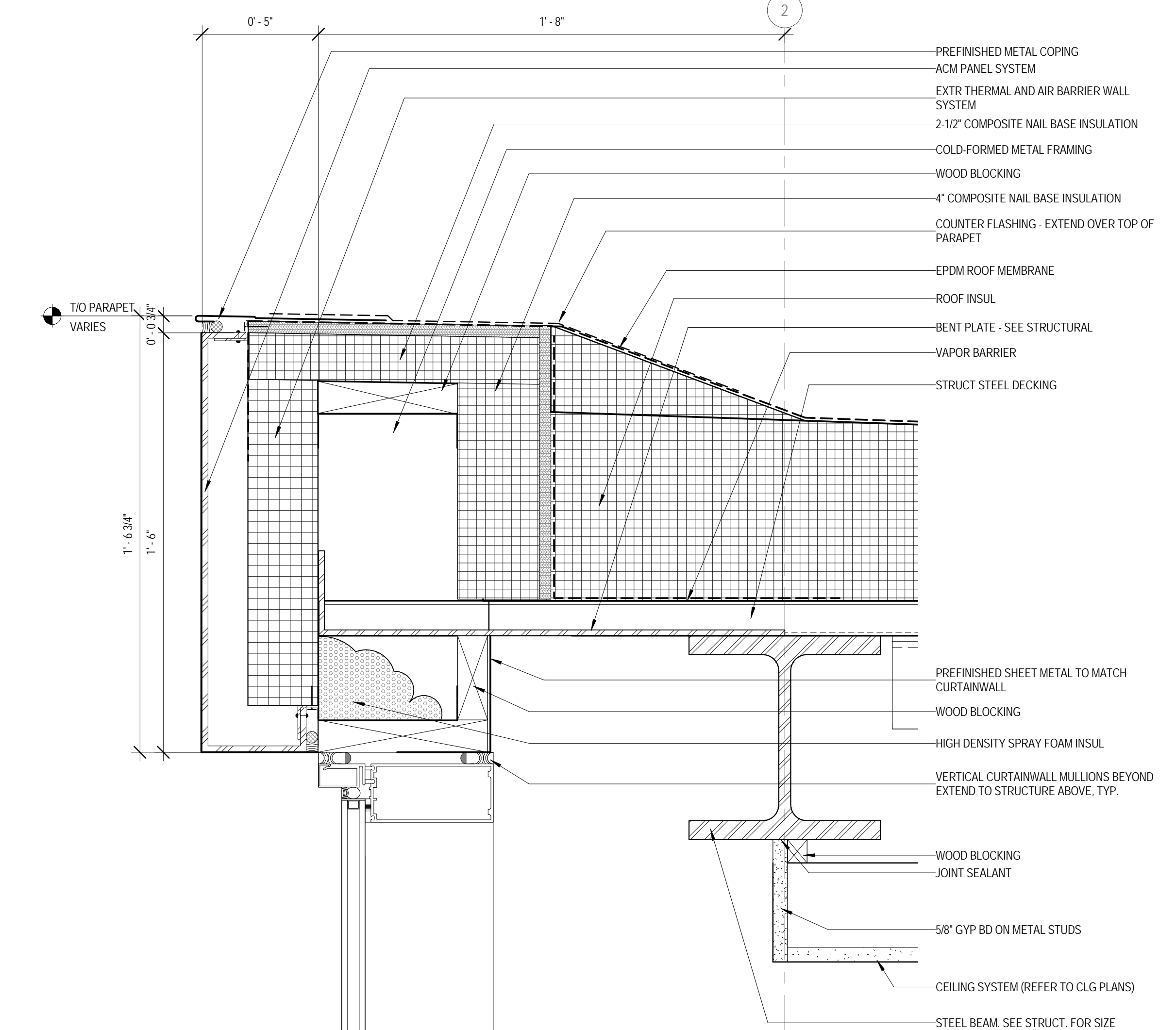
10 ROOF HATCH
1 1/2" = 1'-0"



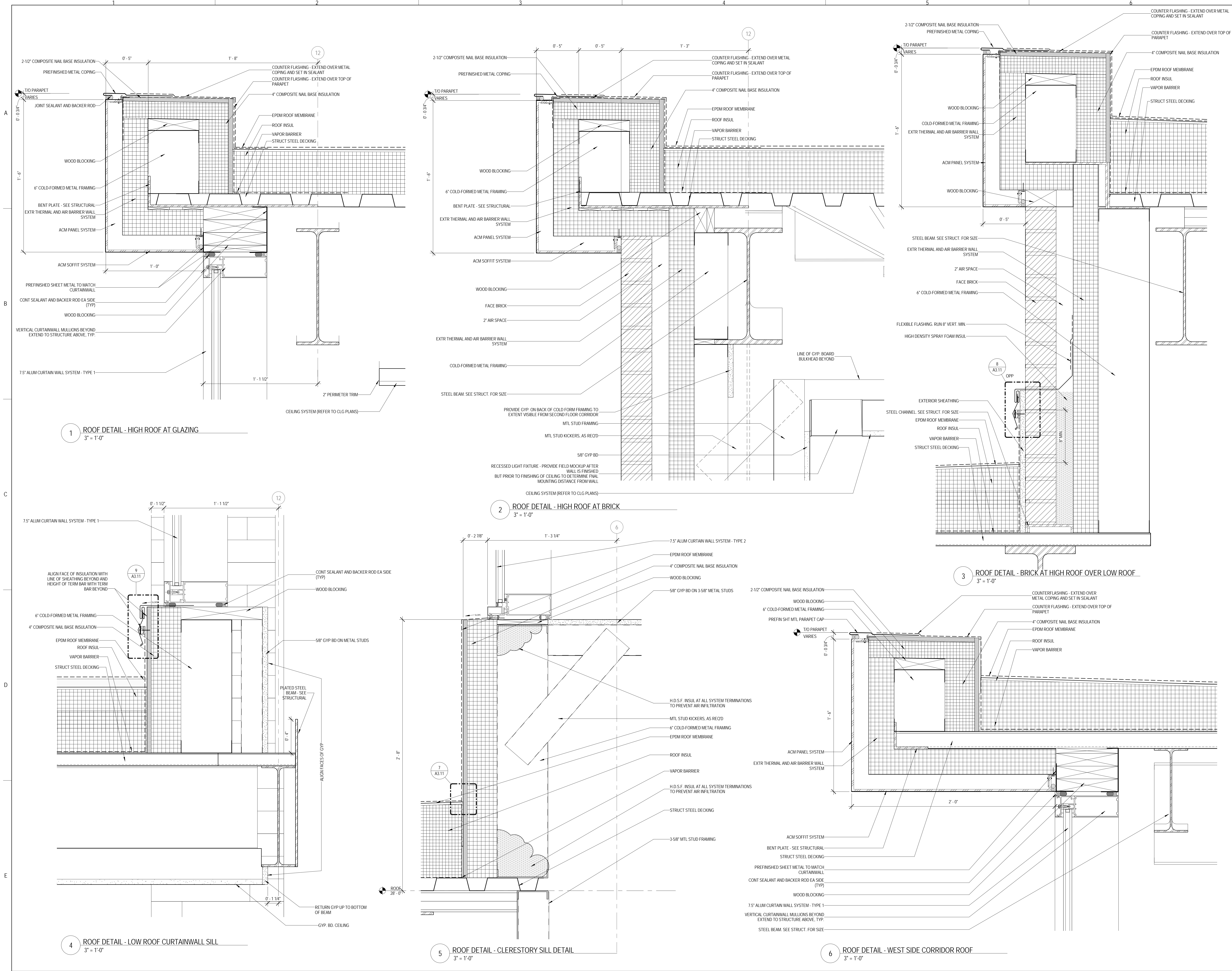
11 ROOF DETAIL - BRICK PARAPET EXTENDED AIR SPACE
3" = 1'-0"



12 ROOF DETAIL - CLERESTORY PARAPET
3" = 1'-0"



13 ROOF DETAIL - PARAPET AT LOW ROOF
3" = 1'-0"



KEY PLAN:

SHEET STATUS: 9/21/15
ISSUED FOR CONSTRUCTION

NO.	DESCRIPTION:	DATE:

SHEET TITLE:
ROOF DETAILS

SHEET NUMBER:
A3.12



ARCHITECT OF RECORD
DEMONICA KEMPER ARCHITECTS
 125 N. HALSTED STREET, SUITE 301
 CHICAGO, IL 60661
 P: 312.496.0000

STRUCTURAL AND MEP/FP ENGINEERING
KJWW ENGINEERING CONSULTANTS
 1100 WARRENVILLE RD. SUITE
 400W NAPERVILLE, IL 60563
 P: 630.527.2320

FOOD SERVICE CONSULTANT
CINI LITTLE INTERNATIONAL, INC.
 200 E. HOWARD AVE. SUITE 212
 DES PLAINES, IL 60018
 P: 847.298.0088

CONSTRUCTION MANAGER
JOLIET JUNIOR COLLEGE
 1215 HOUBOLT RD.
 JOLIET, IL 60431
 P: 815.280.2212

**JOLIET JUNIOR COLLEGE
 ROMEVILLE CAMPUS EXPANSION**
 1125 135th ST. ROMEVILLE, IL 60446
 DKA PROJECT NO: 14-005

KEY PLAN:

SHEET STATUS: 9/21/15
**ISSUED FOR
 CONSTRUCTION**

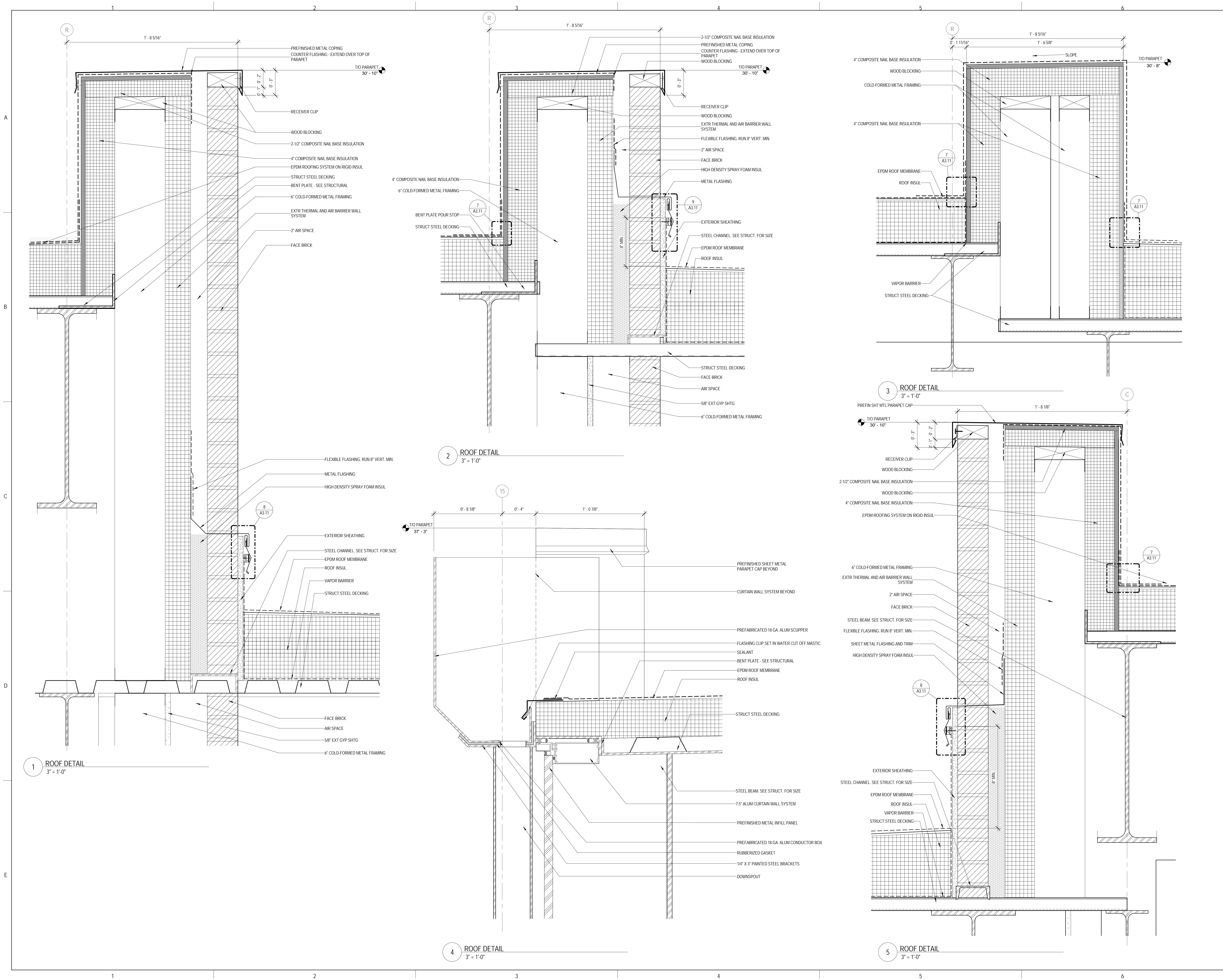
NO.	DESCRIPTION	DATE

SHEET TITLE:
ROOF DETAILS

SHEET NUMBER:

A3.13

9/18/2015 9:31:31 AM



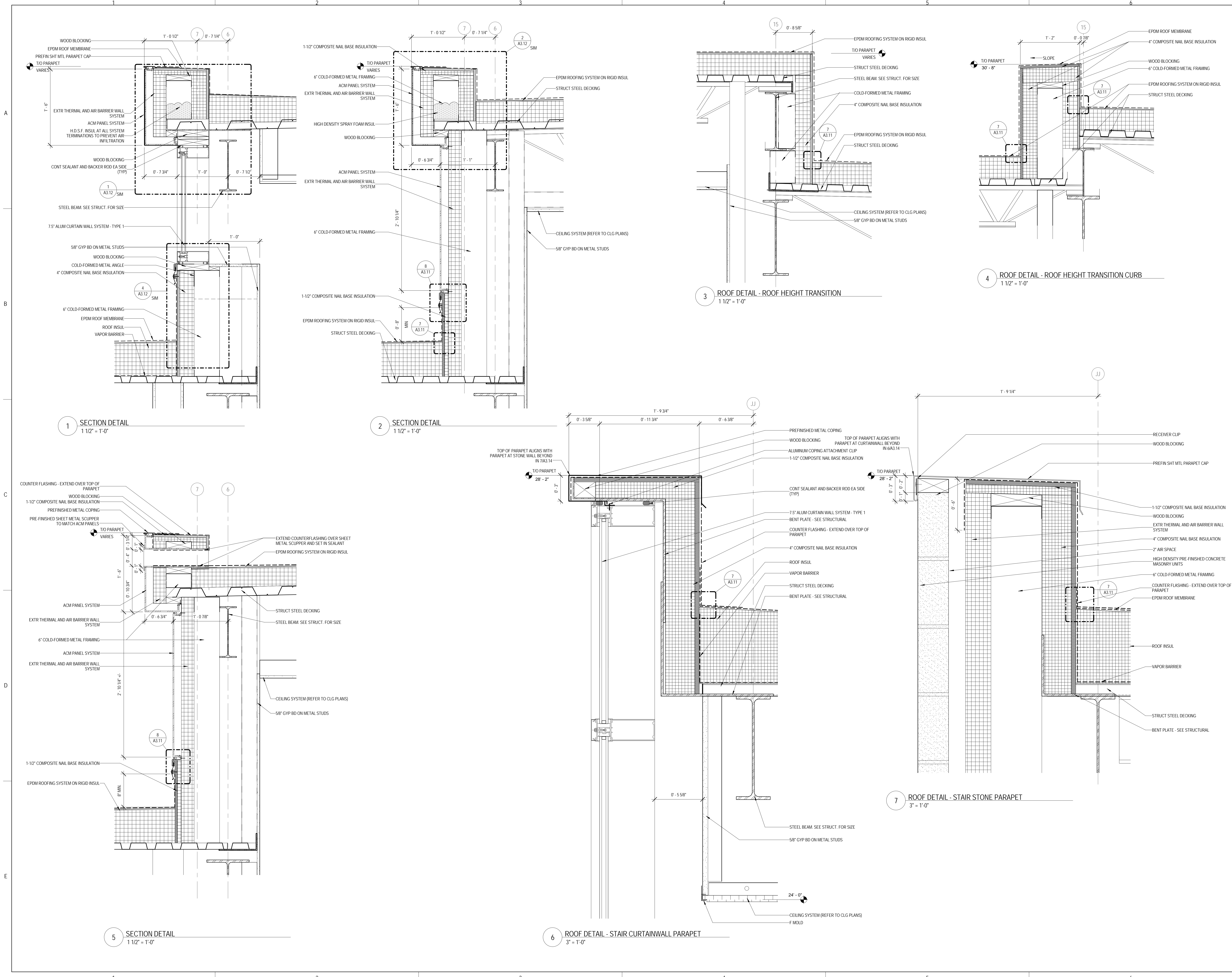
KEY PLAN:

SHEET STATUS: 9/21/15
**ISSUED FOR
 CONSTRUCTION**

NO.	DESCRIPTION:	DATE:

SHEET TITLE:
ROOF DETAILS

SHEET NUMBER:
A3.14





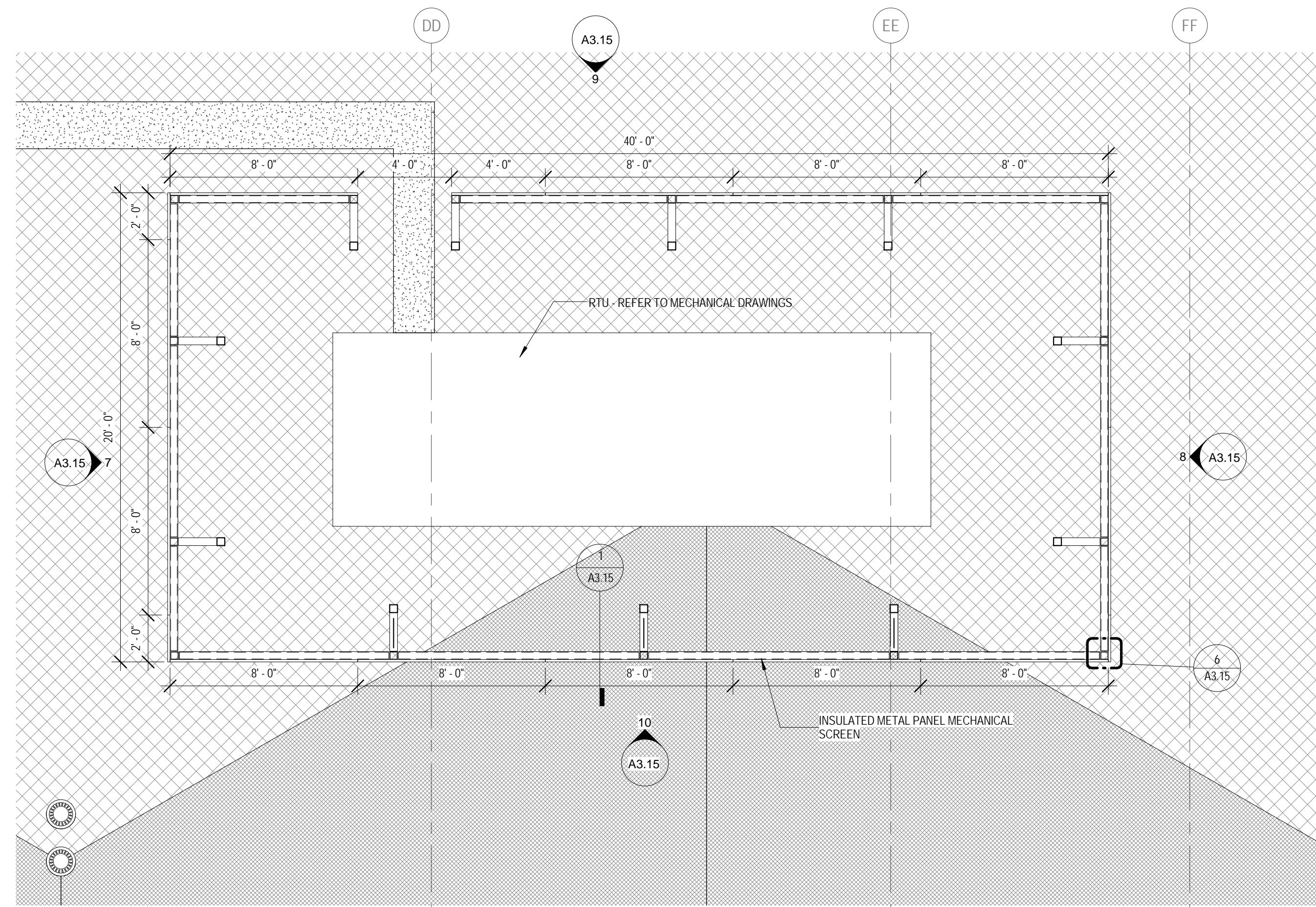
ARCHITECT OF RECORD
DEMONICA KEMPER ARCHITECTS
 125 N. HALSTED STREET, SUITE 301
 CHICAGO, IL 60661
 P: 312.496.0000

STRUCTURAL AND MEPFP ENGINEERING
KJWW ENGINEERING CONSULTANTS
 1100 WARRENVILLE RD. SUITE
 400W NAPERVILLE, IL 60563
 P: 630.527.2320

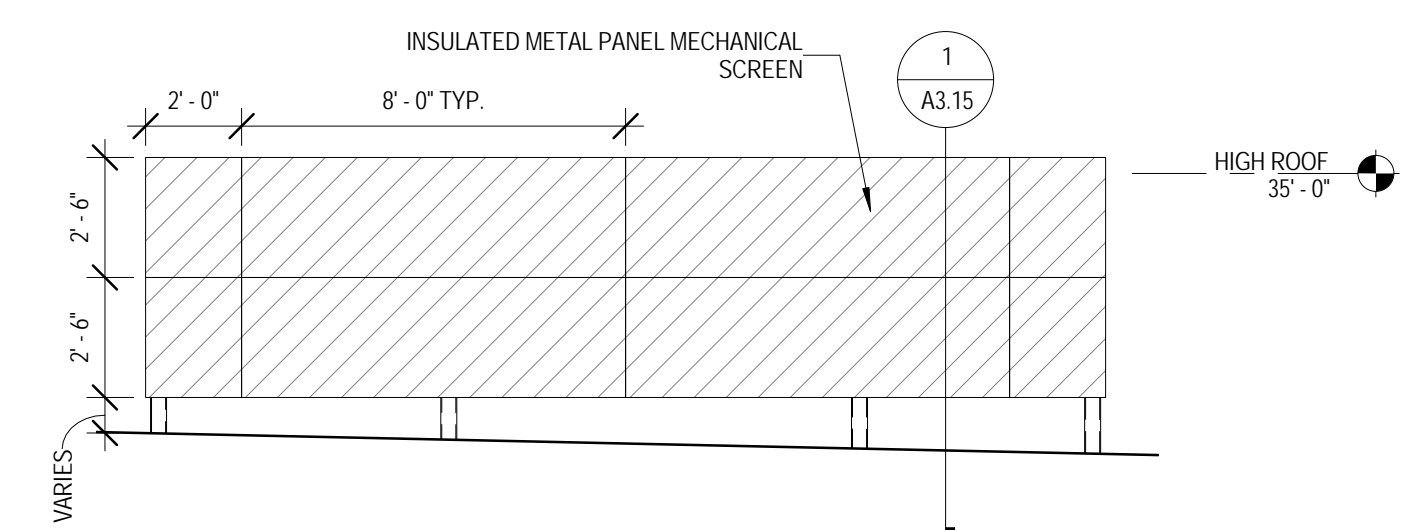
FOOD SERVICE CONSULTANT
CINI LITTLE INTERNATIONAL, INC.
 200 E. HOWARD AVE. SUITE 212
 DES PLAINES, IL 60018
 P: 847.298.0088

CONSTRUCTION MANAGER
JOLIET JUNIOR COLLEGE
 1215 HOUBOLT RD.
 JOLIET, IL 60431
 P: 815.280.2212

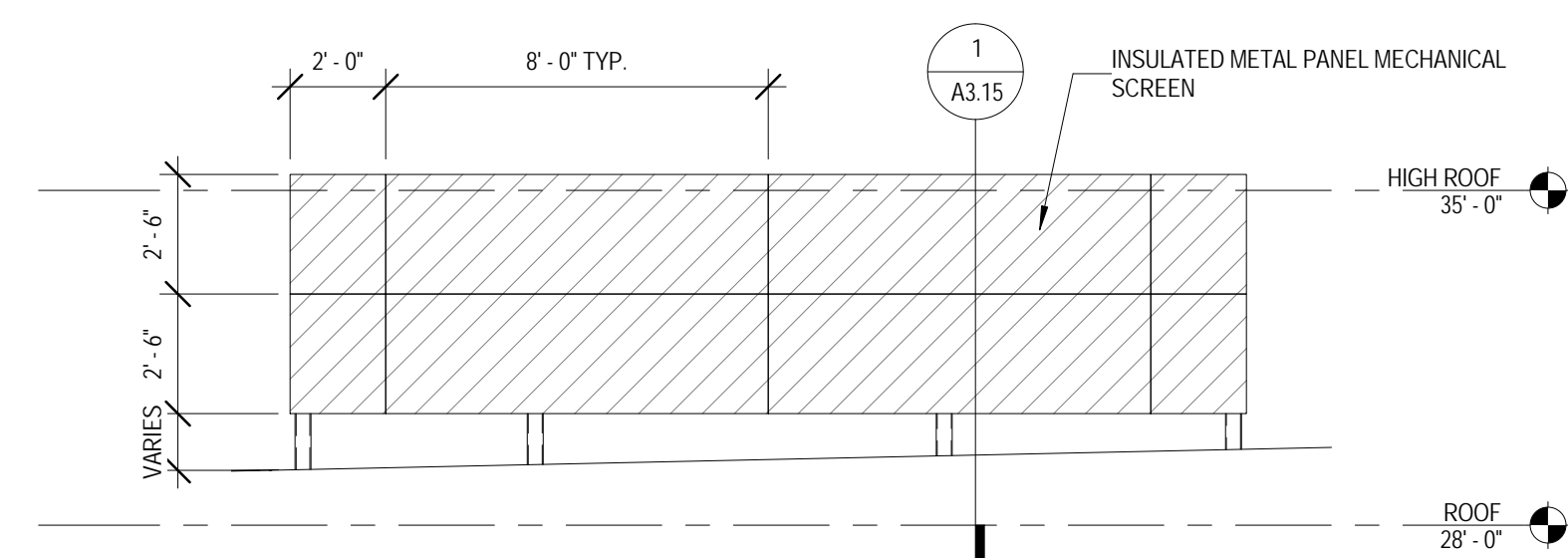
**JOLIET JUNIOR COLLEGE
 ROMEOVILLE CAMPUS EXPANSION**
 1125 135th ST. ROMEOVILLE, IL 60446
 DKA PROJECT NO: 14-005



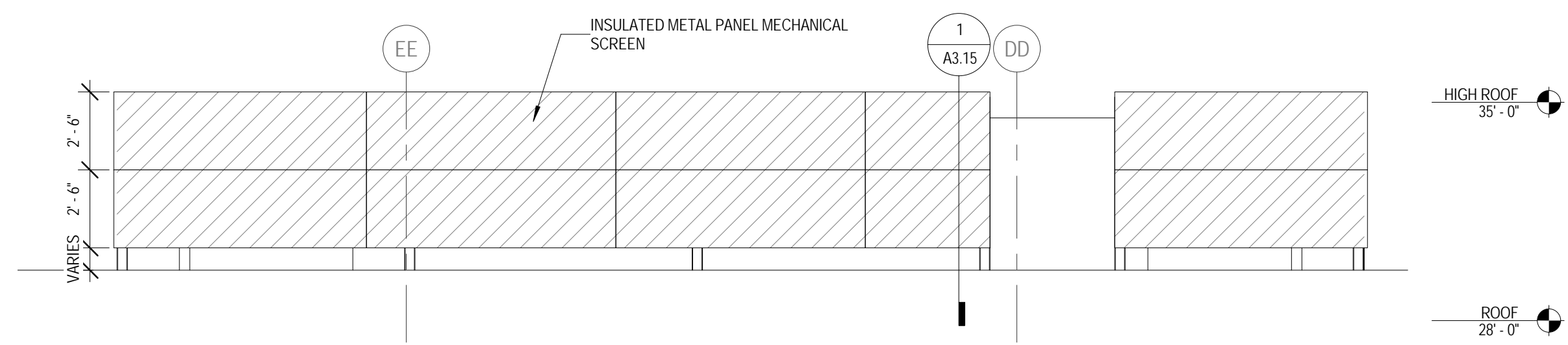
2 ENLARGED PLAN - MECHANICAL SCREEN
 1/4" = 1'-0"



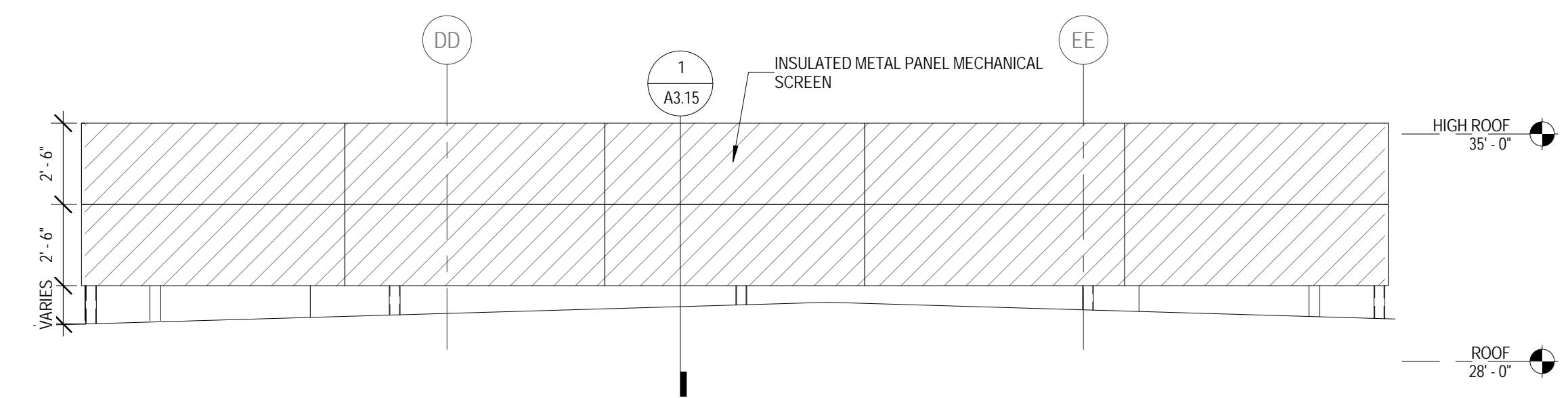
7 MECHANICAL SCREEN - SOUTHWEST ELEVATION
 1/4" = 1'-0"



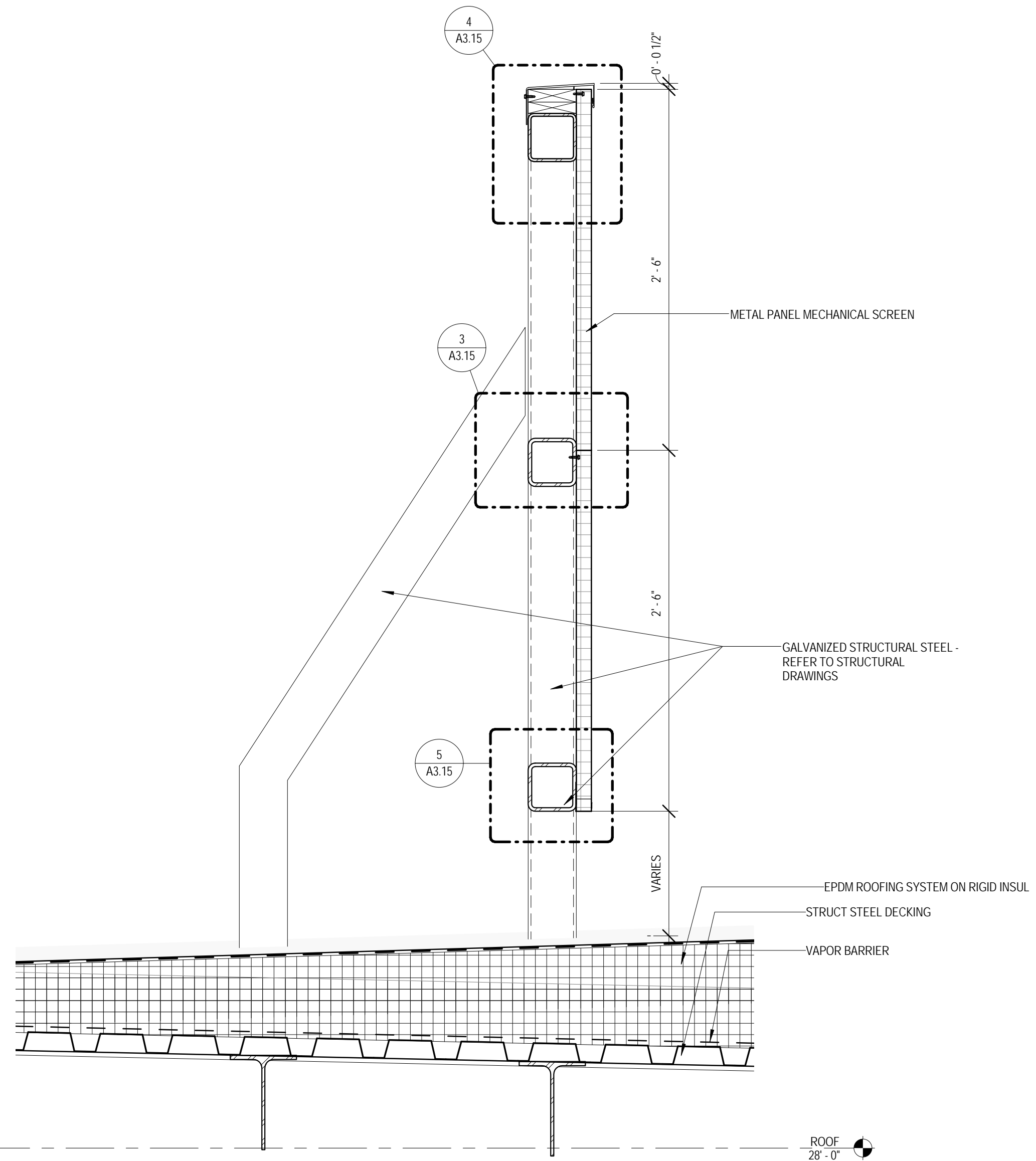
8 MECHANICAL SCREEN - NORTHEAST ELEVATION
 1/4" = 1'-0"



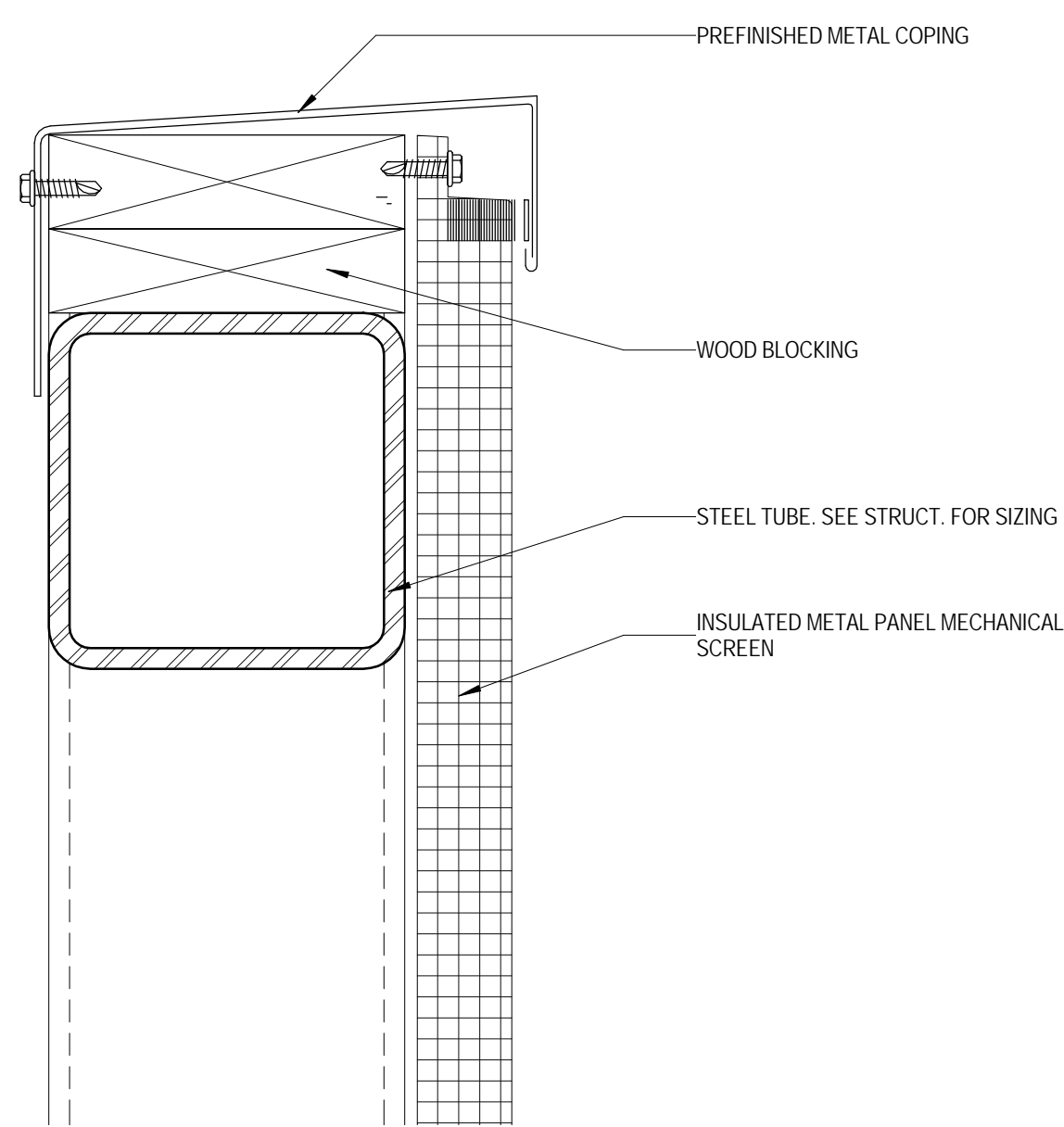
9 MECHANICAL SCREEN - NORTHWEST ELEVATION
 1/4" = 1'-0"



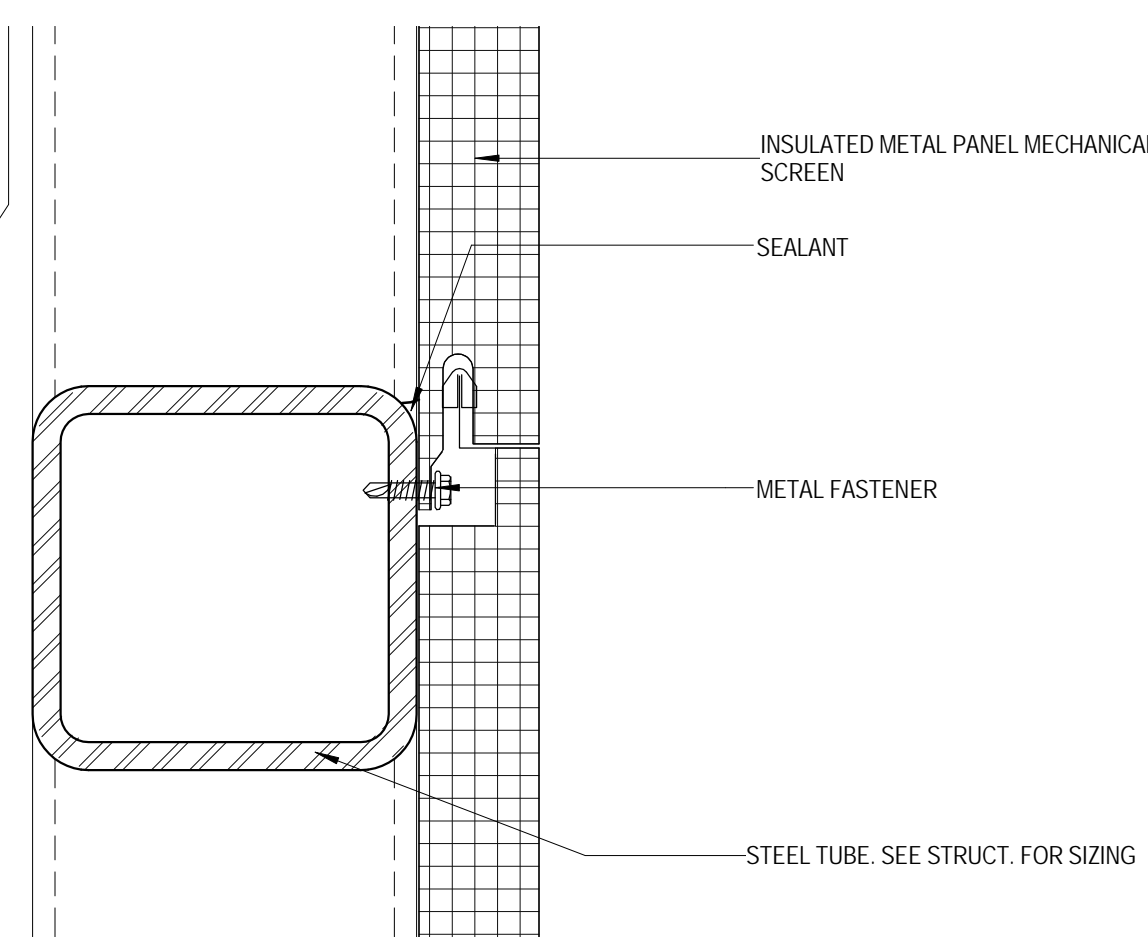
10 MECHANICAL SCREEN - SOUTHEAST ELEVATION
 1/4" = 1'-0"



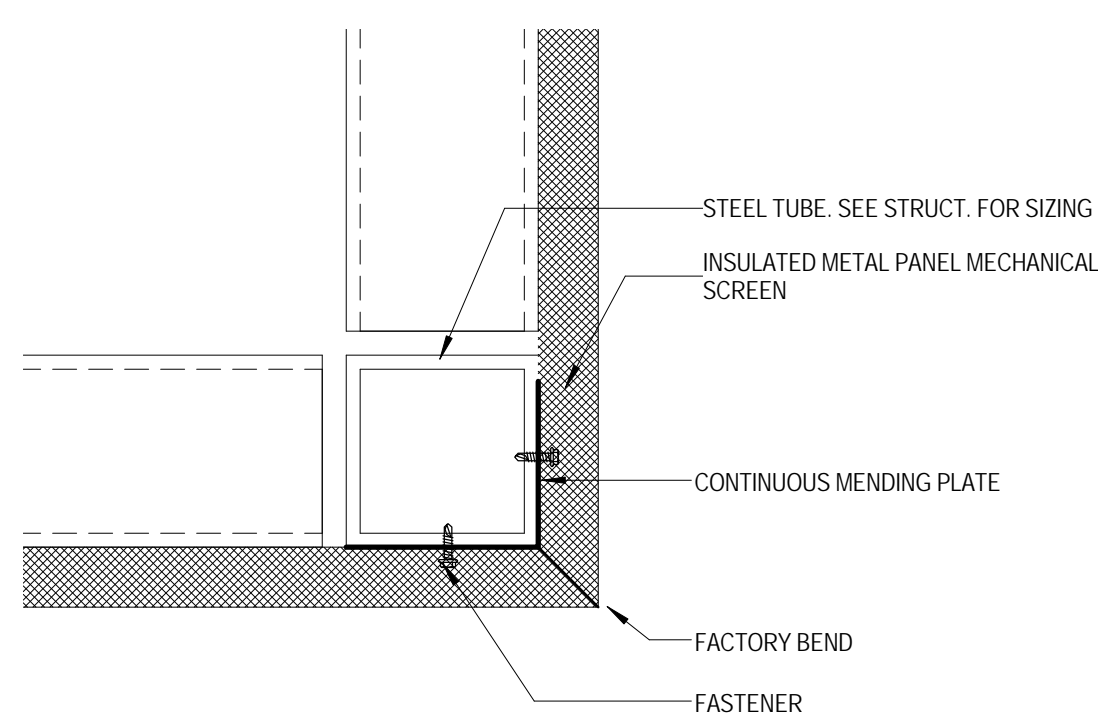
1 MECHANICAL SCREEN
 1 1/2" = 1'-0"



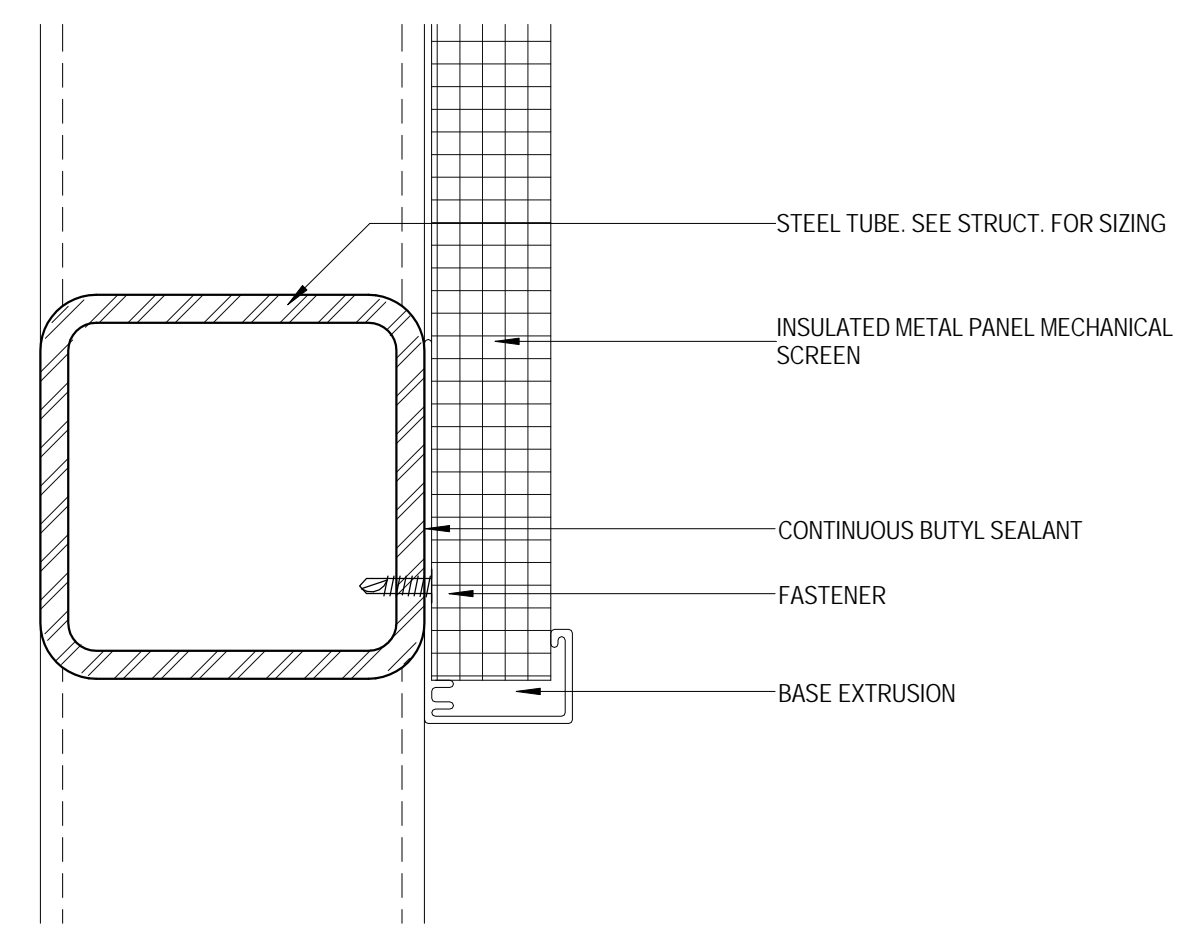
4 MECHANICAL SCREEN HEAD DETAIL
 6" = 1'-0"



3 MECHANICAL SCREEN JOINT DETAIL
 6" = 1'-0"



6 MECHANICAL SCREEN - METAL PANEL CONNECTION DETAIL
 3" = 1'-0"



5 MECHANICAL SCREEN SILL DETAIL
 6" = 1'-0"

KEY PLAN:

SHEET STATUS: 9/21/15
ISSUED FOR CONSTRUCTION

NO.	DESCRIPTION:	DATE:

SHEET TITLE:
MECHANICAL SCREEN DETAILS

SHEET NUMBER:

A3.15



ARCHITECT OF RECORD
 DEMONICA KEMPER ARCHITECTS
 125 N. HALSTED STREET, SUITE 301
 CHICAGO, IL 60661
 P: 312.496.0000

STRUCTURAL AND MEP/FP ENGINEERING
 KJWW ENGINEERING CONSULTANTS
 1100 WARRENVILLE RD. SUITE
 400W NAPERVILLE, IL 60563
 P: 630.527.2320

FOOD SERVICE CONSULTANT
 CINI LITTLE INTERNATIONAL, INC.
 200 E. HOWARD AVE. SUITE 212
 DES PLAINES, IL 60018
 P: 847.298.0088

CONSTRUCTION MANAGER
 JOLIET JUNIOR COLLEGE
 1215 HOUBOLT RD.
 JOLIET, IL 60431
 P: 815.280.2212

JOLIET JUNIOR COLLEGE
ROMEORVILLE CAMPUS EXPANSION
 1125 135th ST. ROMEORVILLE, IL 60446
 DKA PROJECT NO: 14-005

KEY PLAN:

SHEET STATUS: 9/21/15

ISSUED FOR CONSTRUCTION

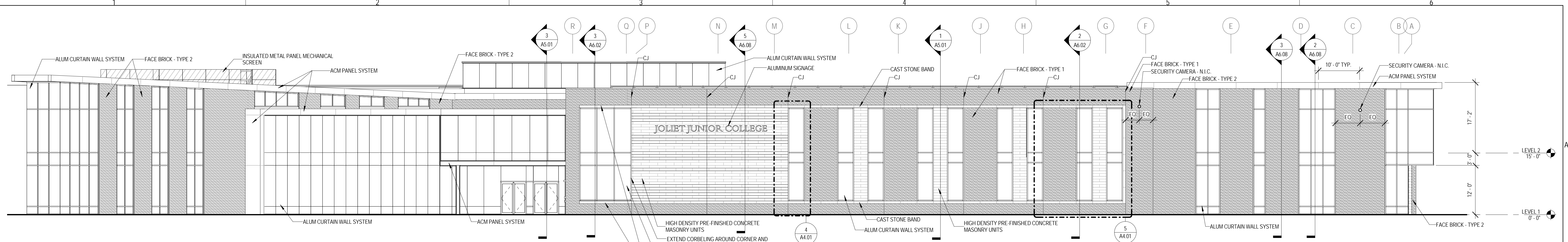
NO.	DESCRIPTION:	DATE:

SHEET TITLE:
EXTERIOR ELEVATIONS

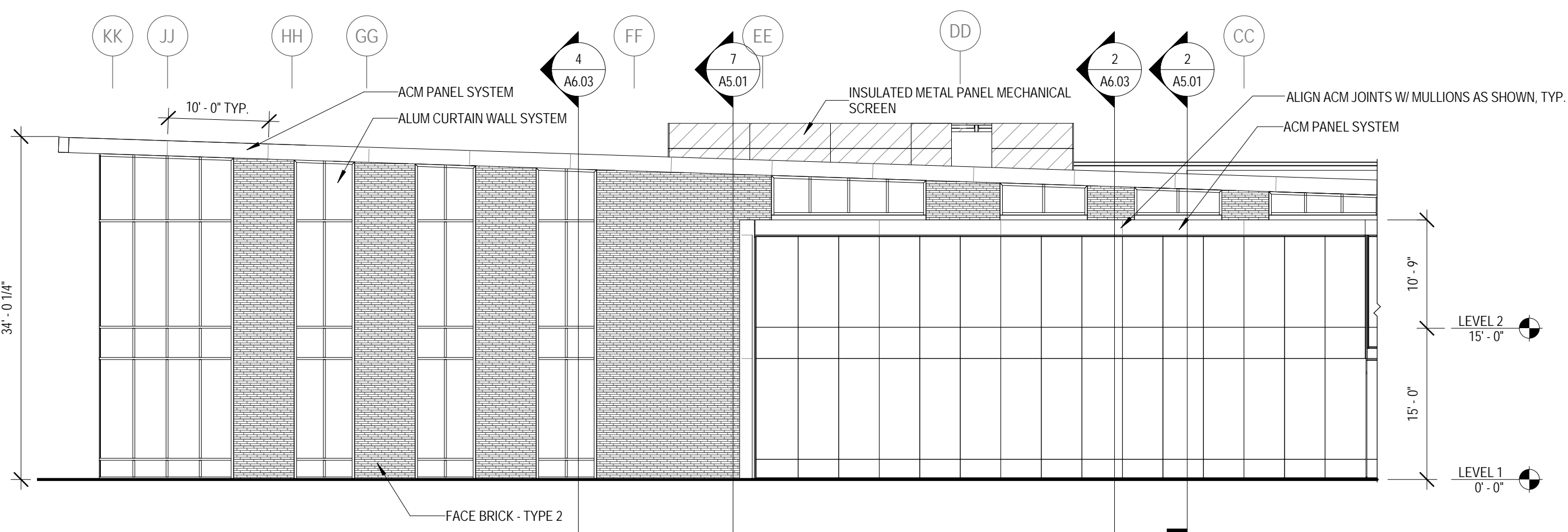
SHEET NUMBER:

A4.01

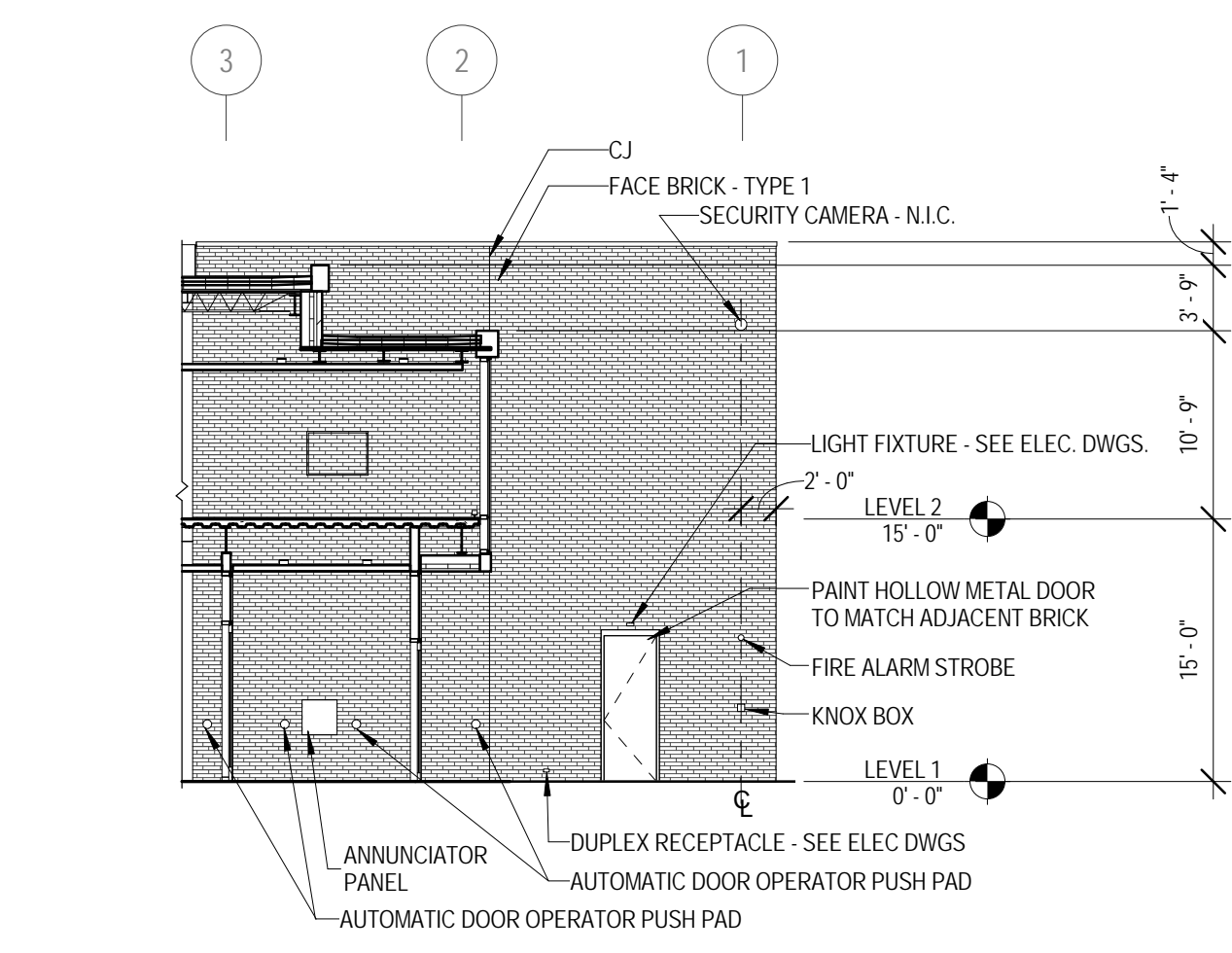
9/18/2015 9:32:23 AM



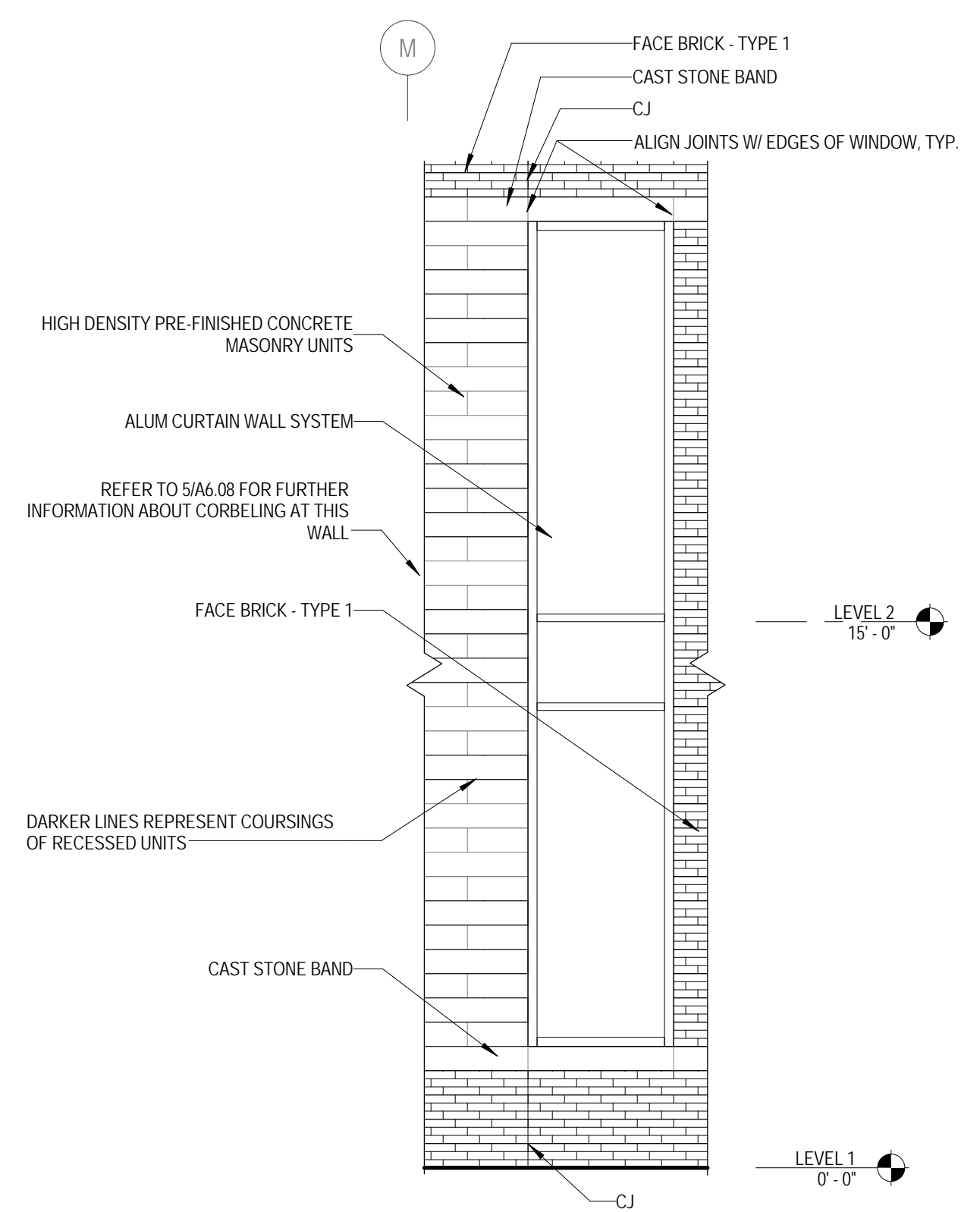
1 NORTH ELEVATION
 3/32" = 1'-0"



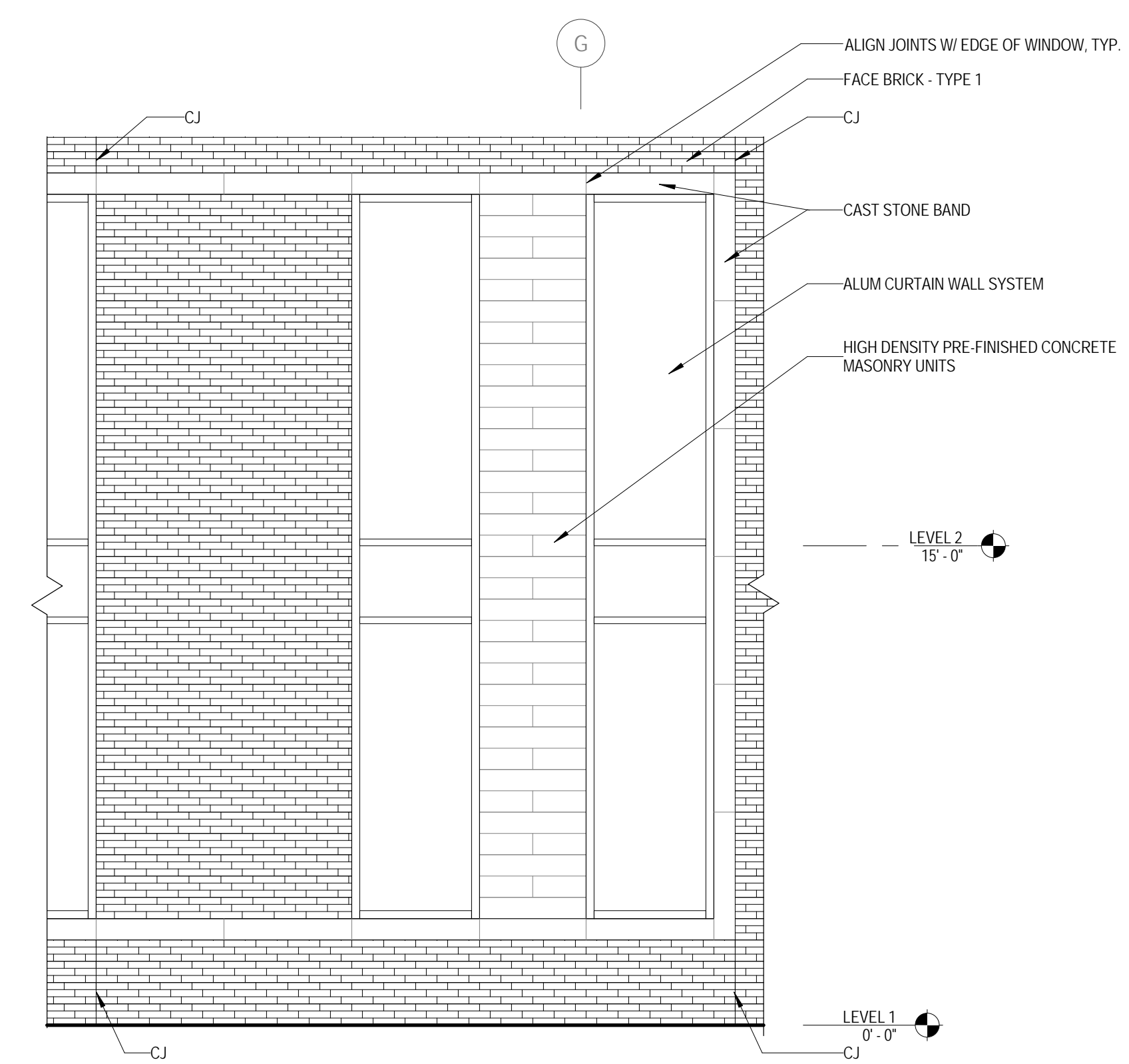
2 NORTH WEST ELEVATION
 3/32" = 1'-0"



3 WEST ELEVATION AT ENTRY
 3/32" = 1'-0"



4 ENLARGED NORTH ELEVATION - EAST
 1/4" = 1'-0"



5 ENLARGED NORTH ELEVATION - WEST
 1/4" = 1'-0"

*3D VIEWS FOR REFERENCE ONLY



6 FRONT ENTRY



ARCHITECT OF RECORD
DEMIONA KEMPER ARCHITECTS
 125 N. HALSTED STREET, SUITE 301
 CHICAGO, IL 60661
 P: 312.496.0000

STRUCTURAL AND MEPFP ENGINEERING
KJWW ENGINEERING CONSULTANTS
 1100 WARRENVILLE RD. SUITE
 400W NAPERVILLE, IL 60563
 P: 630.527.2320

FOOD SERVICE CONSULTANT
CINI LITTLE INTERNATIONAL, INC.
 200 E. HOWARD AVE. SUITE 212
 DES PLAINES, IL 60018
 P: 847.298.0088

CONSTRUCTION MANAGER
JOLIET JUNIOR COLLEGE
 1215 HOUBOLT RD.
 JOLIET, IL 60431
 P: 815.280.2212

JOLIET JUNIOR COLLEGE
ROMEOVILLE CAMPUS EXPANSION
 1125 135th ST. ROMEOVILLE, IL 60446
 DKA PROJECT NO: 14-005

KEY PLAN:

SHEET STATUS: 9/21/15

ISSUED FOR CONSTRUCTION

NO. DESCRIPTION: DATE:

NO.	DESCRIPTION	DATE

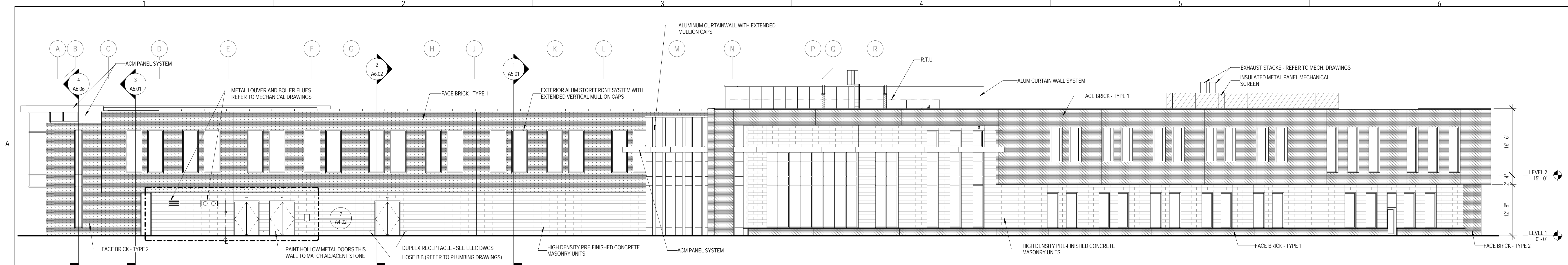
SHEET TITLE:

EXTERIOR ELEVATIONS

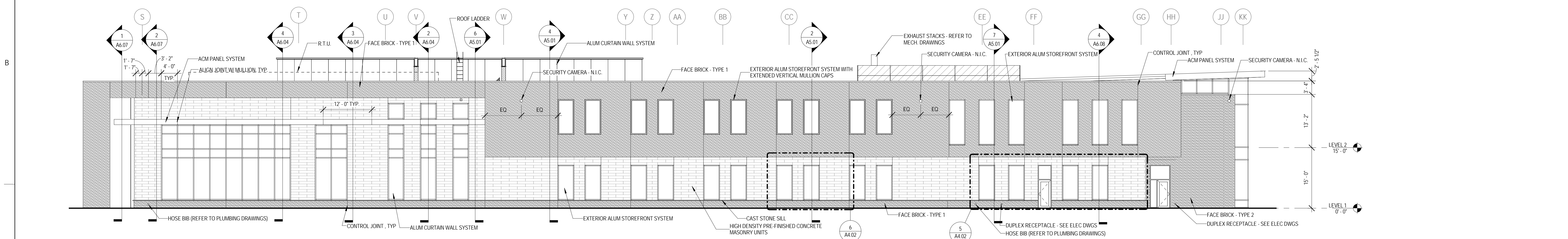
SHEET NUMBER:

A4.02

9/18/2015 9:32:45 AM

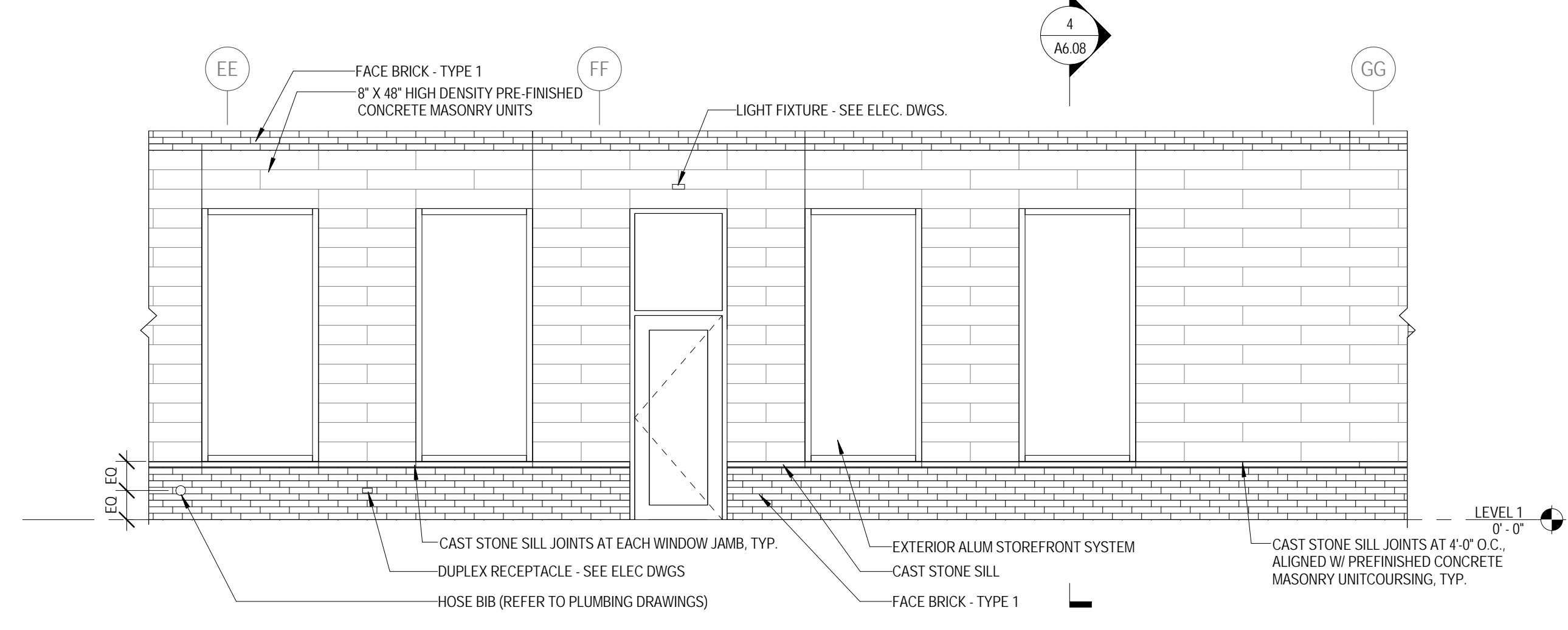


1 SOUTH ELEVATION
 3/32" = 1'-0"



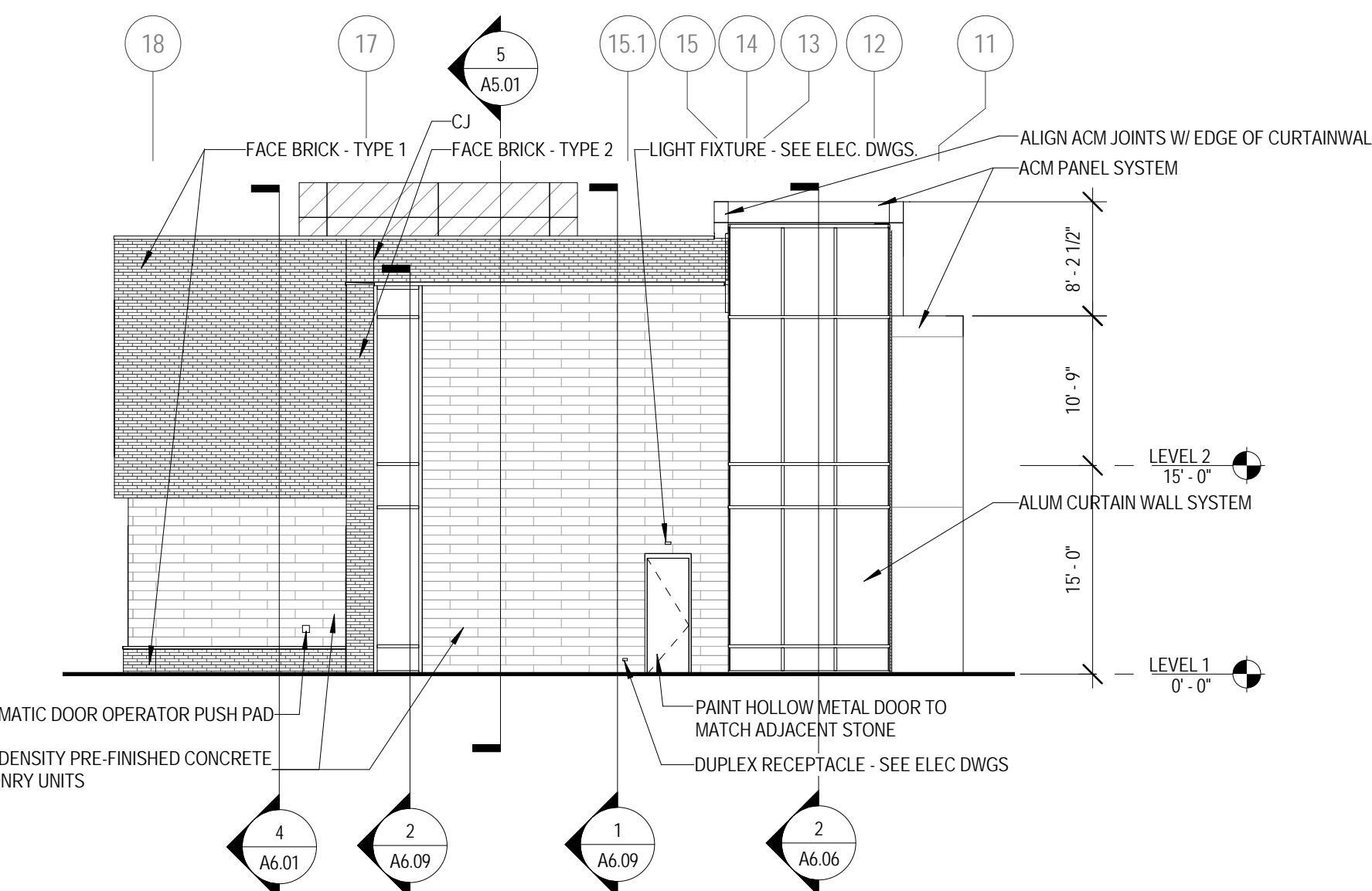
2 SOUTH EAST ELEVATION
 3/32" = 1'-0"

*3D VIEWS FOR REFERENCE ONLY

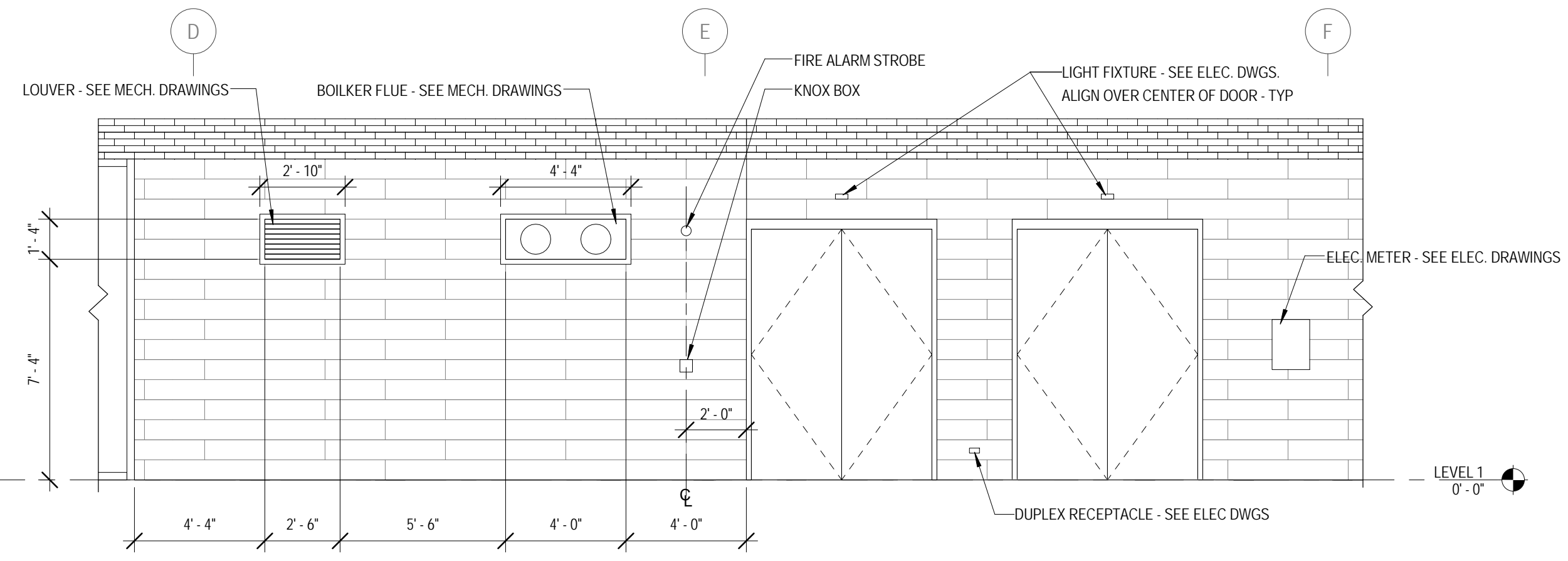


5 ENLARGED SOUTH EAST ELEVATION - NORTH
 1/4" = 1'-0"

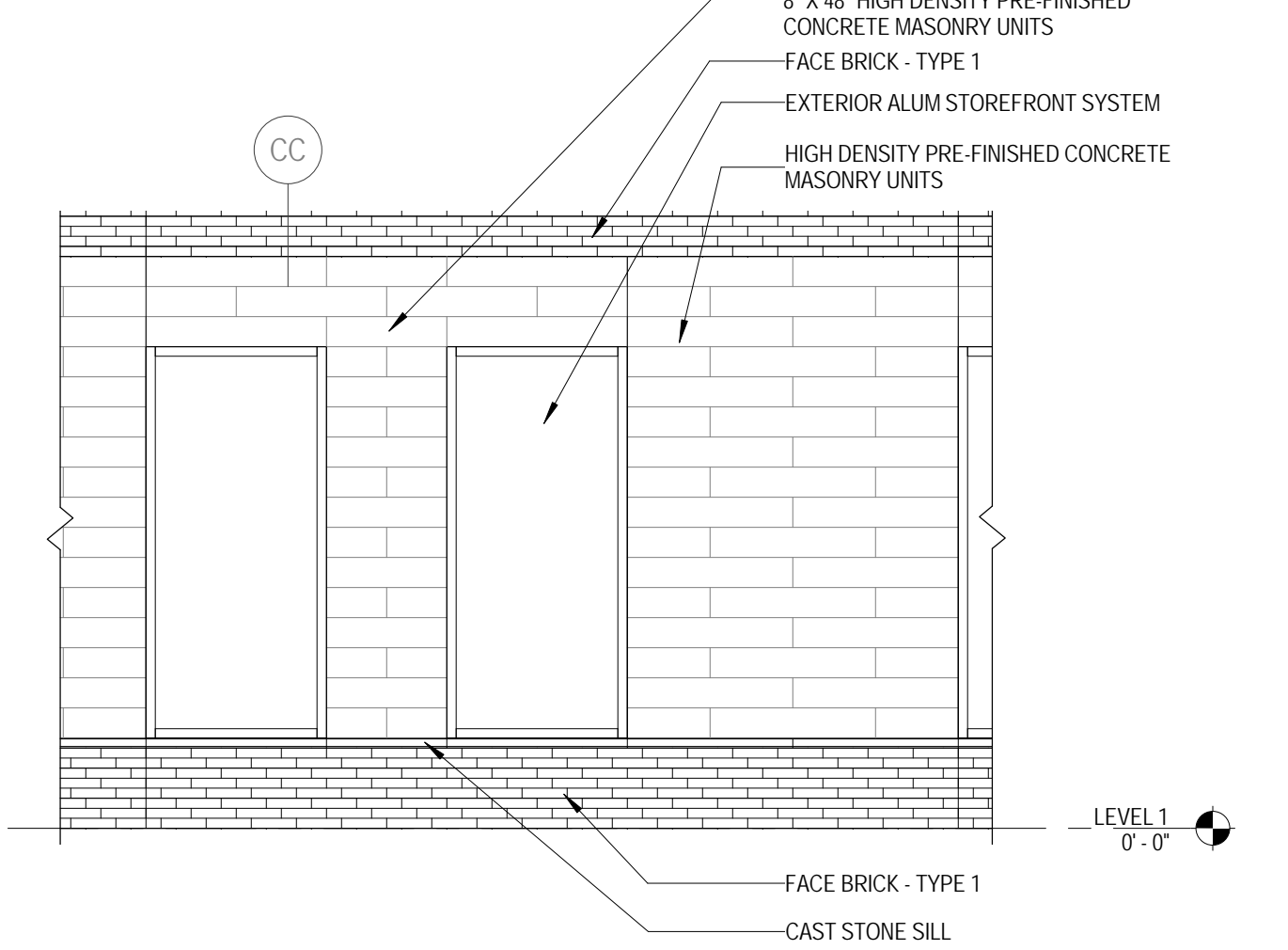
3 NORTH-EAST EXTERIOR VIEW



4 NORTH EAST ELEVATION
 3/32" = 1'-0"



7 ENLARGED SOUTH ELEVATION
 1/4" = 1'-0"



6 ENLARGED SOUTH EAST ELEVATION - TYP.
 1/4" = 1'-0"



ARCHITECT OF RECORD
 DEMONICA KEMPER ARCHITECTS
 125 N. HALSTED STREET, SUITE 301
 CHICAGO, IL 60661
 P: 312.496.0000

STRUCTURAL AND MEP/FP ENGINEERING
 KJWW ENGINEERING CONSULTANTS
 1100 WARRENVILLE RD. SUITE
 400W NAPERVILLE, IL 60563
 P: 630.527.2320

FOOD SERVICE CONSULTANT
 CINI LITTLE INTERNATIONAL, INC.
 200 E. HOWARD AVE. SUITE 212
 DES PLAINES, IL 60018
 P: 847.298.0088

CONSTRUCTION MANAGER
 JOLIET JUNIOR COLLEGE
 1215 HOUBOLT RD.
 JOLIET, IL 60431
 P: 815.280.2212

**JOLIET JUNIOR COLLEGE
 ROMEOVILLE CAMPUS EXPANSION**
 1125 135th ST. ROMEOVILLE, IL 60446
 DKA PROJECT NO: 14-005

KEY PLAN:

SHEET STATUS: 9/21/15

ISSUED FOR CONSTRUCTION

NO. DESCRIPTION: DATE:

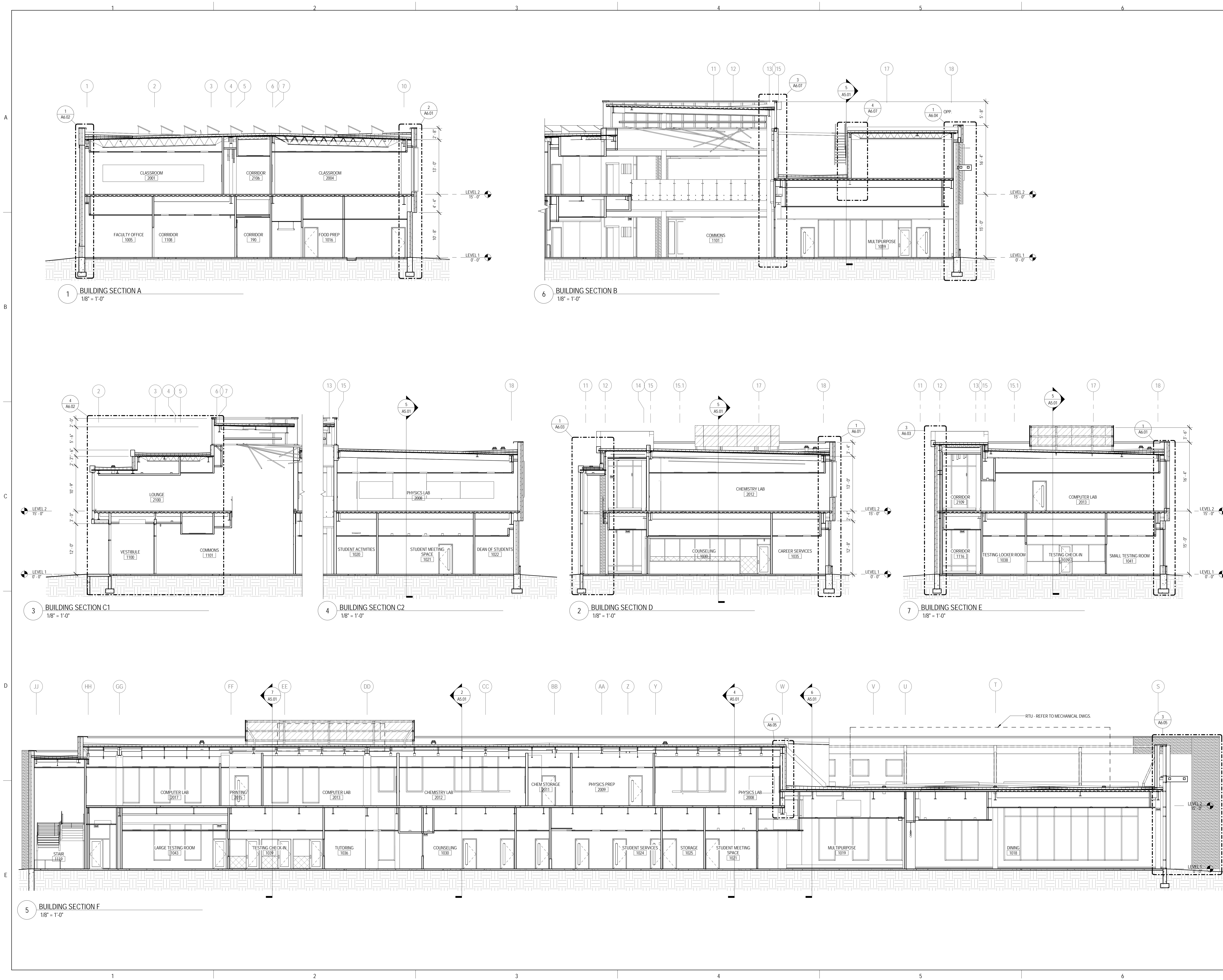
SHEET TITLE:

BUILDING SECTIONS

SHEET NUMBER:

A5.01

9/18/2015 9:33:08 AM



1 BUILDING SECTION A
 1/8" = 1'-0"

6 BUILDING SECTION B
 1/8" = 1'-0"

3 BUILDING SECTION C1
 1/8" = 1'-0"

4 BUILDING SECTION C2
 1/8" = 1'-0"

2 BUILDING SECTION D
 1/8" = 1'-0"

7 BUILDING SECTION E
 1/8" = 1'-0"

5 BUILDING SECTION F
 1/8" = 1'-0"



ARCHITECT OF RECORD
DEMONICA KEMPER ARCHITECTS
 125 N. HALSTED STREET, SUITE 301
 CHICAGO, IL 60661
 P: 312.496.0000

STRUCTURAL AND MEP/FP ENGINEERING
KJWW ENGINEERING CONSULTANTS
 1100 WARRENVILLE RD. SUITE
 400W NAPERVILLE, IL 60563
 P: 630.527.2320

FOOD SERVICE CONSULTANT
CINI LITTLE INTERNATIONAL, INC.
 200 E. HOWARD AVE. SUITE 212
 DES PLAINES, IL 60018
 P: 847.298.0088

CONSTRUCTION MANAGER
JOLIET JUNIOR COLLEGE
 1215 HOUBOLT RD.
 JOLIET, IL 60431
 P: 815.280.2212

**JOLIET JUNIOR COLLEGE
 ROMEOVILLE CAMPUS EXPANSION**
 1125 135th ST. ROMEOVILLE, IL 60446
 DKA PROJECT NO: 14-005

KEY PLAN:

SHEET STATUS: 9/21/15
**ISSUED FOR
 CONSTRUCTION**

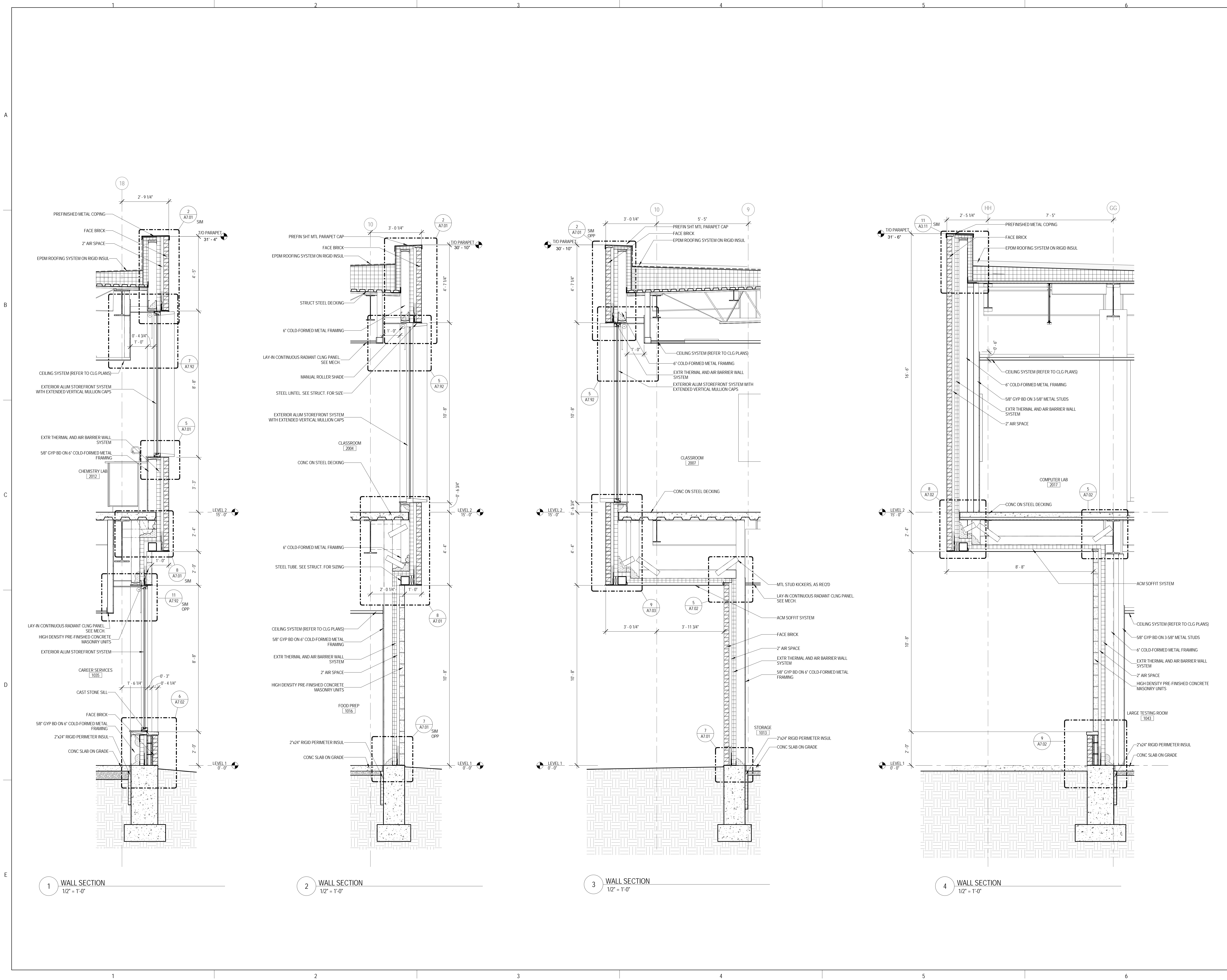
NO.	DESCRIPTION:	DATE:

SHEET TITLE:
WALL SECTIONS

SHEET NUMBER:

A6.01

9/18/2015 9:33:15 AM





ARCHITECT OF RECORD
DEMONICA KEMPER ARCHITECTS
 125 N. HALSTED STREET, SUITE 301
 CHICAGO, IL 60661
 P: 312.496.0000

STRUCTURAL AND MEP/FP ENGINEERING
KJWW ENGINEERING CONSULTANTS
 1100 WARRENVILLE RD. SUITE
 400W NAPERVILLE, IL 60563
 P: 630.527.2320

FOOD SERVICE CONSULTANT
CINI LITTLE INTERNATIONAL, INC.
 200 E. HOWARD AVE. SUITE 212
 DES PLAINES, IL 60018
 P: 847.298.0088

CONSTRUCTION MANAGER
JOLIET JUNIOR COLLEGE
 1215 HOUBOLT RD.
 JOLIET, IL 60431
 P: 815.280.2212

**JOLIET JUNIOR COLLEGE
 ROMEOVILLE CAMPUS EXPANSION**
 1125 135th ST. ROMEOVILLE, IL 60446
 DKA PROJECT NO: 14-005

KEY PLAN:

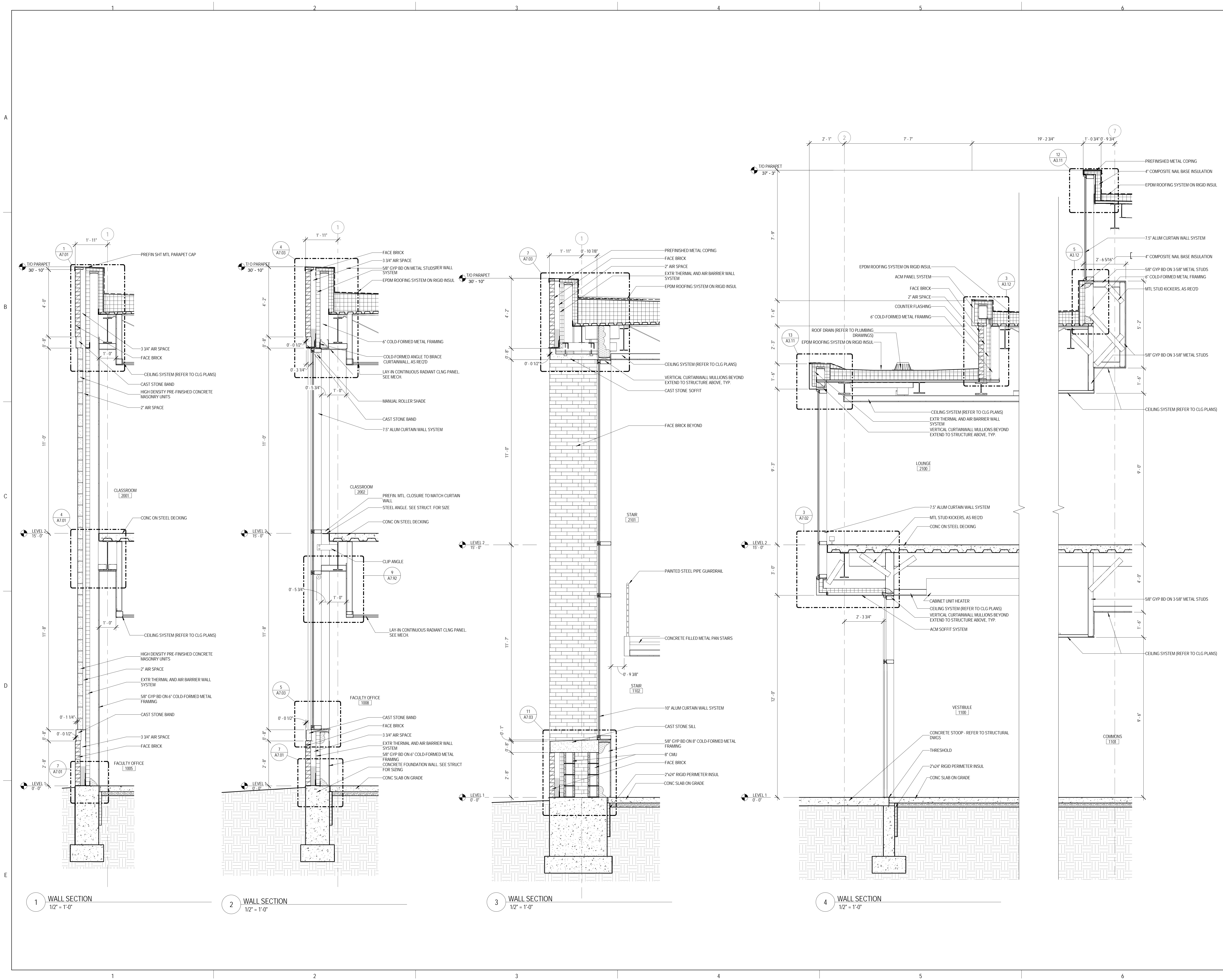
SHEET STATUS: 9/21/15
**ISSUED FOR
 CONSTRUCTION**

NO.	DESCRIPTION	DATE

SHEET TITLE:
WALL SECTIONS

SHEET NUMBER:
A6.02

9/18/2015 9:33:22 AM



**JOLIET JUNIOR COLLEGE
 ROMEOVILLE CAMPUS EXPANSION**
 1125 135th ST. ROMEOVILLE, IL 60446
 DKA PROJECT NO: 14-005

KEY PLAN:

SHEET STATUS: 9/21/15

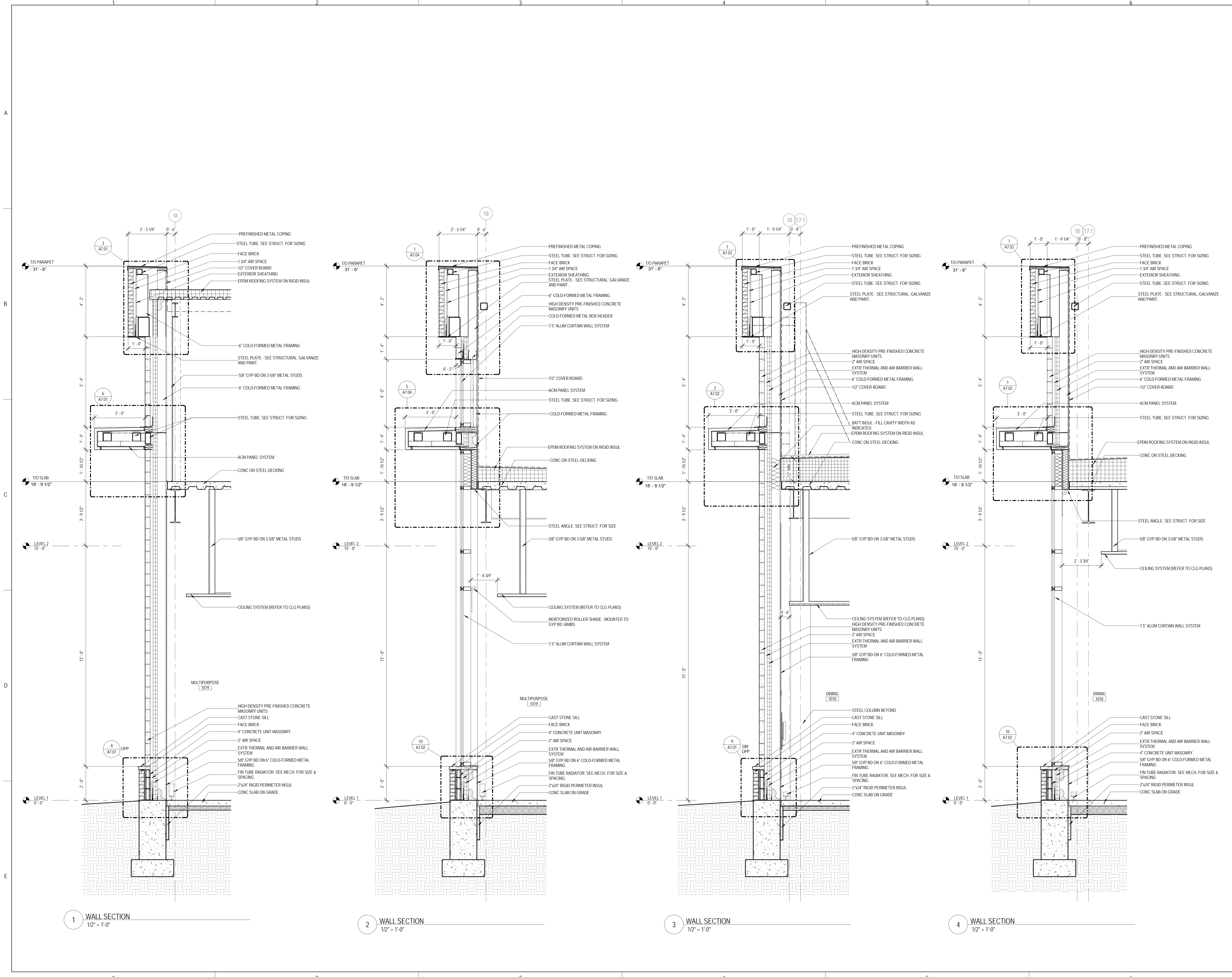
**ISSUED FOR
 CONSTRUCTION**

NO.	DESCRIPTION:	DATE:
1		

SHEET TITLE:
WALL SECTIONS

SHEET NUMBER:

A6.04



1 WALL SECTION
 1/2" = 1'-0"

2 WALL SECTION
 1/2" = 1'-0"

3 WALL SECTION
 1/2" = 1'-0"

4 WALL SECTION
 1/2" = 1'-0"



ARCHITECT OF RECORD
 DEMONICA KEMPER ARCHITECTS
 125 N. HALSTED STREET, SUITE 301
 CHICAGO, IL 60661
 P: 312.496.0000

STRUCTURAL AND MEP/P ENGINEERING
 KJWW ENGINEERING CONSULTANTS
 1100 WARRENVILLE RD. SUITE
 400W NAPERVILLE, IL 60563
 P: 630.527.2320

FOOD SERVICE CONSULTANT
 CINI LITTLE INTERNATIONAL, INC.
 200 E. HOWARD AVE. SUITE 212
 DES PLAINES, IL 60018
 P: 847.298.0088

CONSTRUCTION MANAGER
 JOLIET JUNIOR COLLEGE
 1215 HOUBOLT RD.
 JOLIET, IL 60431
 P: 815.280.2212

**JOLIET JUNIOR COLLEGE
 ROMEOVILLE CAMPUS EXPANSION**
 1125 135th ST. ROMEOVILLE, IL 60446
 DKA PROJECT NO: 14-005

KEY PLAN:

SHEET STATUS: 9/21/15

**ISSUED FOR
 CONSTRUCTION**

NO.	DESCRIPTION:	DATE:

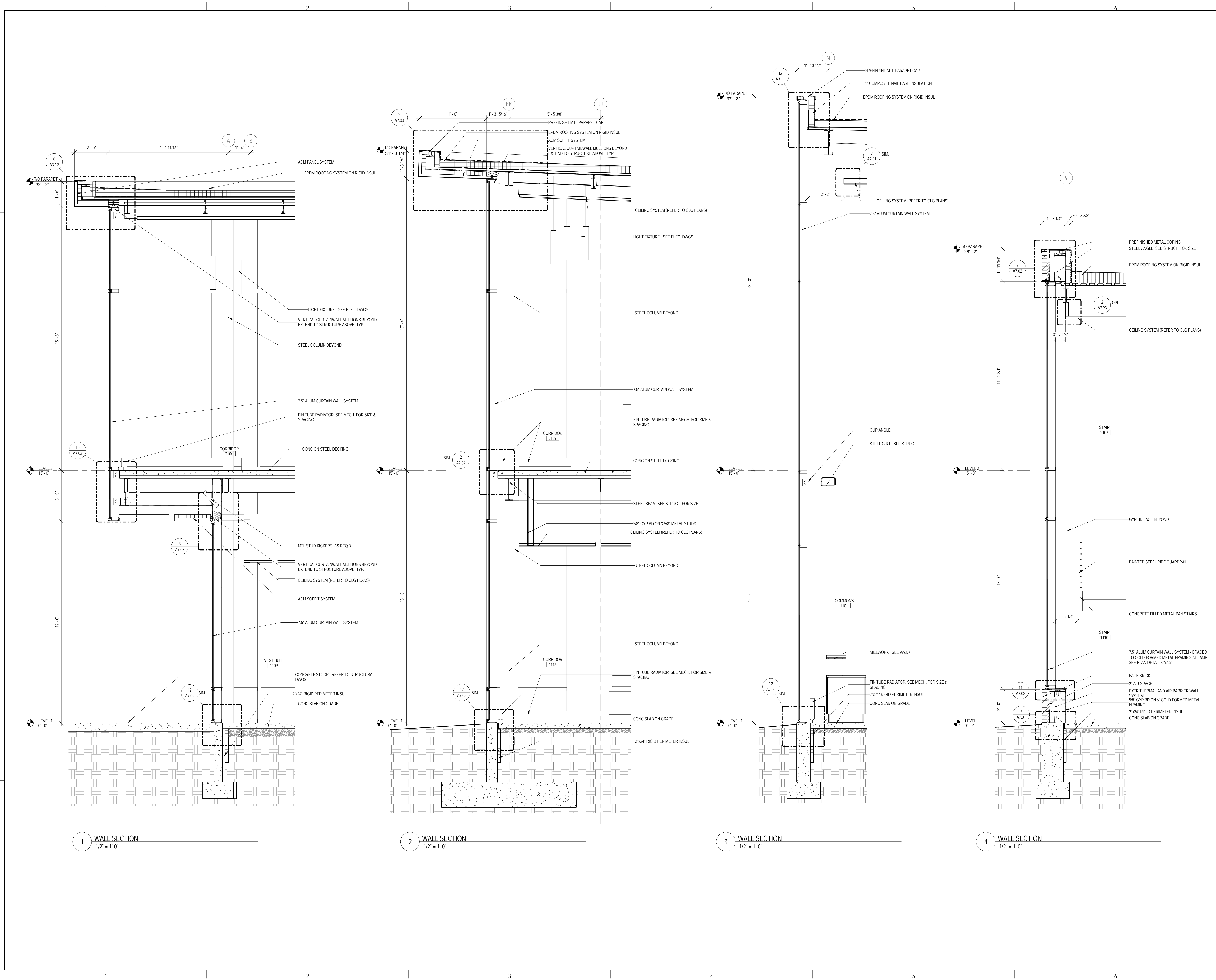
SHEET TITLE:

WALL SECTIONS

SHEET NUMBER:

A6.06

9/18/2015 9:33:47 AM



1 WALL SECTION
 1/2" = 1'-0"

2 WALL SECTION
 1/2" = 1'-0"

3 WALL SECTION
 1/2" = 1'-0"

4 WALL SECTION
 1/2" = 1'-0"



ARCHITECT OF RECORD
DEMONICA KEMPER ARCHITECTS
 125 N. HALSTED STREET, SUITE 301
 CHICAGO, IL 60661
 P: 312.496.0000

STRUCTURAL AND MEPFP ENGINEERING
KJWW ENGINEERING CONSULTANTS
 1100 WARRENVILLE RD. SUITE
 400W NAPERVILLE, IL 60563
 P: 630.527.2320

FOOD SERVICE CONSULTANT
CINI LITTLE INTERNATIONAL, INC.
 200 E. HOWARD AVE. SUITE 212
 DES PLAINES, IL 60018
 P: 847.298.0088

CONSTRUCTION MANAGER
JOLIET JUNIOR COLLEGE
 1215 HOUBOLT RD.
 JOLIET, IL 60431
 P: 815.280.2212

**JOLIET JUNIOR COLLEGE
 ROMEOVILLE CAMPUS EXPANSION**
 1125 135th ST. ROMEOVILLE, IL 60446
 DKA PROJECT NO: 14-005

KEY PLAN:

SHEET STATUS: 9/21/15

**ISSUED FOR
 CONSTRUCTION**

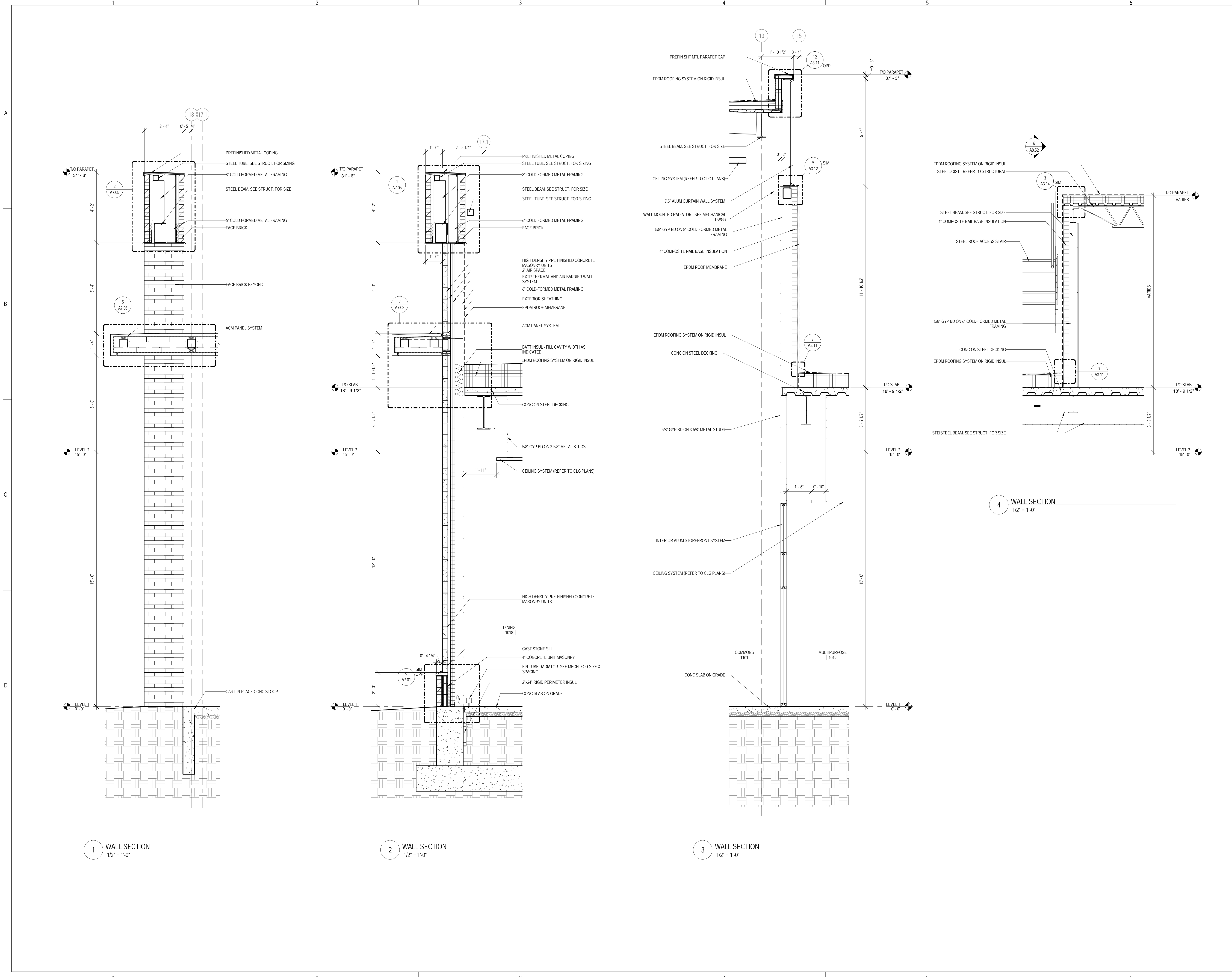
NO.	DESCRIPTION:	DATE:
1		

SHEET TITLE:
WALL SECTIONS

SHEET NUMBER:

A6.07

9/18/2015 9:33:55 AM



1 WALL SECTION
 1/2" = 1'-0"

2 WALL SECTION
 1/2" = 1'-0"

3 WALL SECTION
 1/2" = 1'-0"

4 WALL SECTION
 1/2" = 1'-0"

**JOLIET JUNIOR COLLEGE
 ROMEOVILLE CAMPUS EXPANSION**
 1125 135th ST. ROMEOVILLE, IL 60446
 DKA PROJECT NO: 14-005

KEY PLAN:

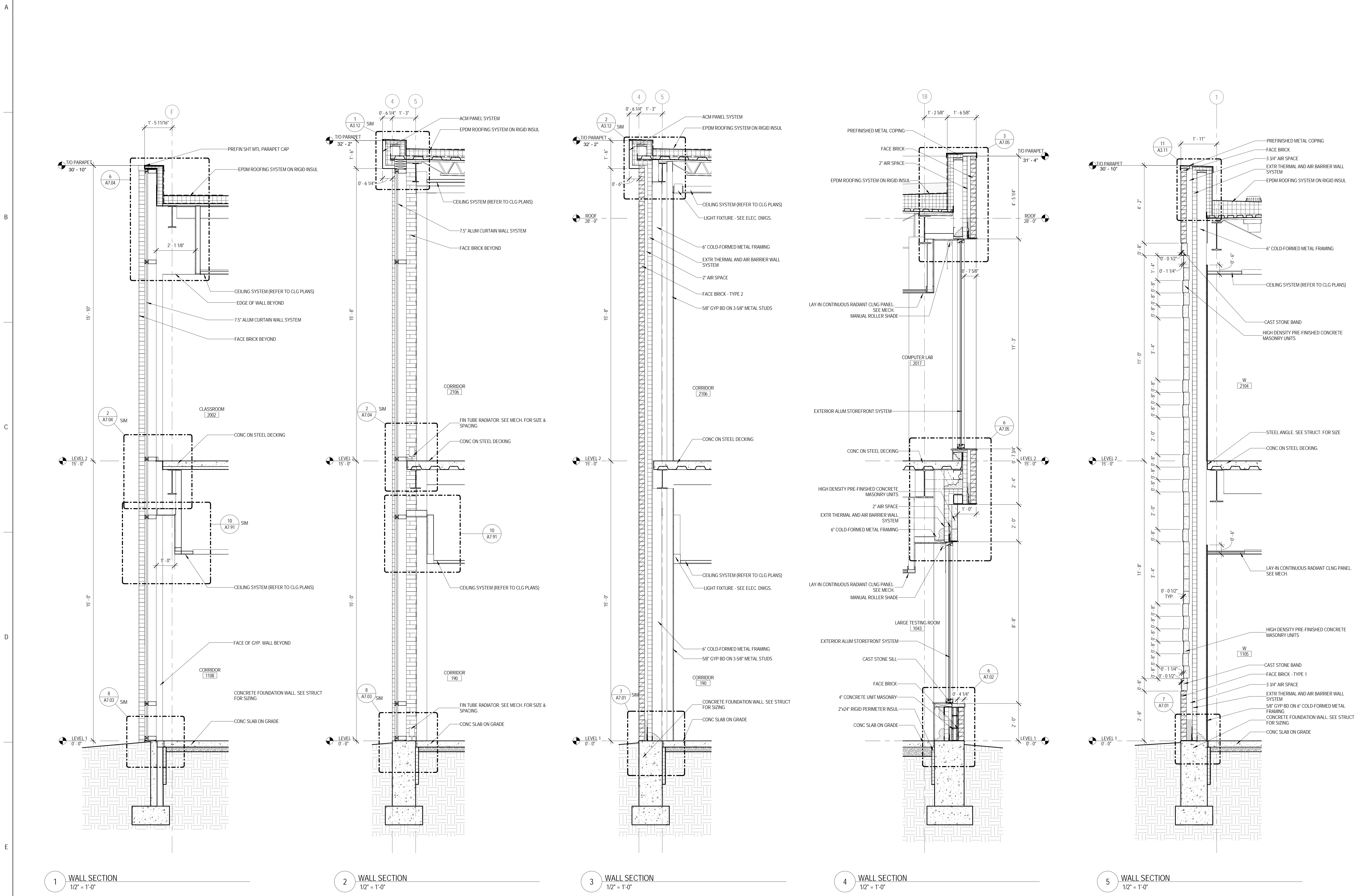
SHEET STATUS: 9/21/15
**ISSUED FOR
 CONSTRUCTION**

NO.	DESCRIPTION:	DATE:

SHEET TITLE:
WALL SECTIONS

SHEET NUMBER:

A6.08



1 WALL SECTION
 1/2" = 1'-0"

2 WALL SECTION
 1/2" = 1'-0"

3 WALL SECTION
 1/2" = 1'-0"

4 WALL SECTION
 1/2" = 1'-0"

5 WALL SECTION
 1/2" = 1'-0"



ARCHITECT OF RECORD
 DEMONICA KEMPER ARCHITECTS
 125 N. HALSTED STREET, SUITE 301
 CHICAGO, IL 60661
 P: 312.496.0000

STRUCTURAL AND MEP/FP ENGINEERING
 KJWW ENGINEERING CONSULTANTS
 1100 WARRENVILLE RD. SUITE
 400W NAPERVILLE, IL 60563
 P: 630.527.2320

FOOD SERVICE CONSULTANT
 CINI LITTLE INTERNATIONAL, INC.
 200 E. HOWARD AVE. SUITE 212
 DES PLAINES, IL 60018
 P: 847.298.0088

CONSTRUCTION MANAGER
 JOLIET JUNIOR COLLEGE
 1215 HOUBOLT RD.
 JOLIET, IL 60431
 P: 815.280.2212

**JOLIET JUNIOR COLLEGE
 ROMEOVILLE CAMPUS EXPANSION**
 1125 135th ST. ROMEOVILLE, IL 60446
 DKA PROJECT NO: 14-005

KEY PLAN:

SHEET STATUS: 9/21/15

**ISSUED FOR
 CONSTRUCTION**

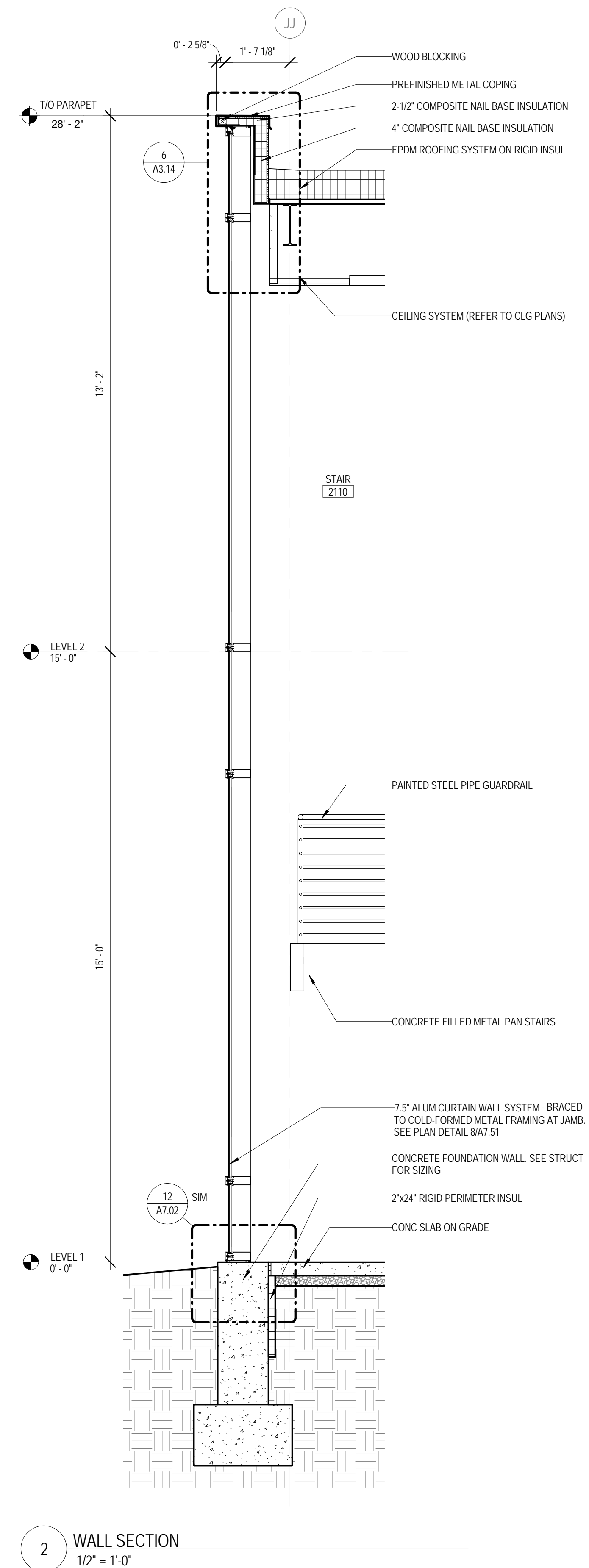
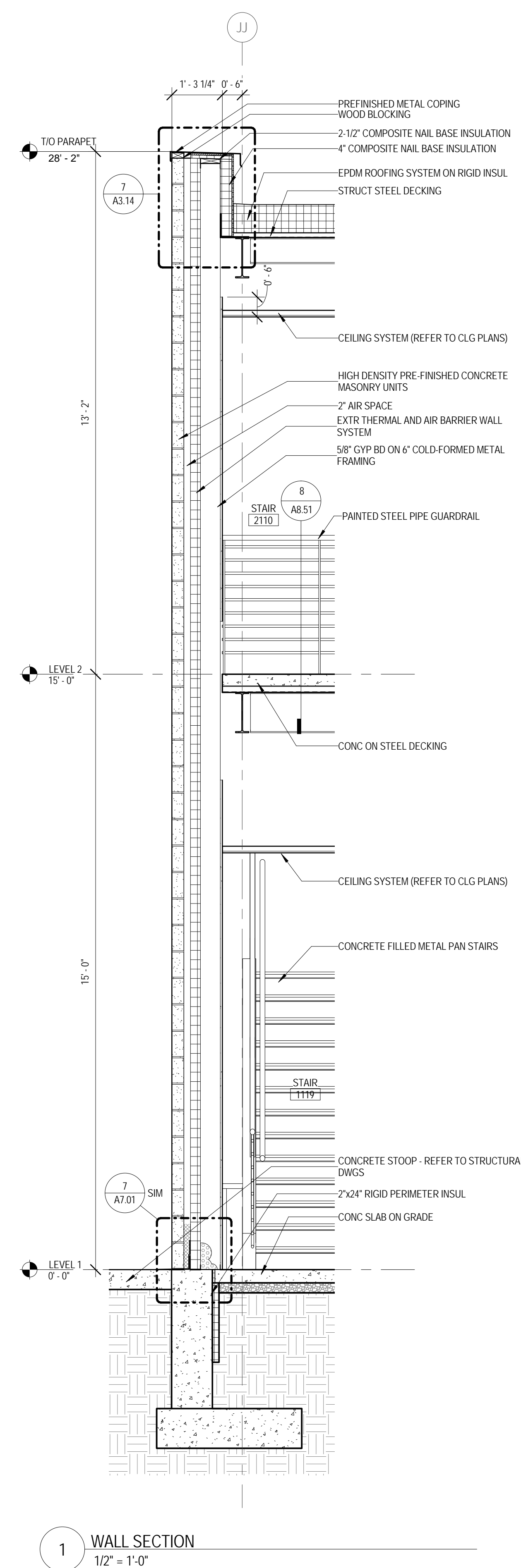
NO.	DESCRIPTION:	DATE:

SHEET TITLE:
WALL SECTIONS

SHEET NUMBER:

A6.09

9/18/2015 9:34:06 AM





ARCHITECT OF RECORD
DEMIONA KEMPER ARCHITECTS
 125 N. HALSTED STREET, SUITE 301
 CHICAGO, IL 60661
 P: 312.496.0000

STRUCTURAL AND MEP/PF ENGINEERING
KJWW ENGINEERING CONSULTANTS
 1100 WARRENVILLE RD. SUITE
 400W NAPERVILLE, IL 60563
 P: 630.527.2320

FOOD SERVICE CONSULTANT
CINI LITTLE INTERNATIONAL, INC.
 200 E. HOWARD AVE. SUITE 212
 DES PLAINES, IL 60018
 P: 847.298.0088

CONSTRUCTION MANAGER
JOLIET JUNIOR COLLEGE
 1215 HOUBOLT RD.
 JOLIET, IL 60431
 P: 815.280.2212

JOLIET JUNIOR COLLEGE
ROMEORVILLE CAMPUS EXPANSION
 1125 135th ST. ROMEORVILLE, IL 60446
 DKA PROJECT NO: 14-005

KEY PLAN:

SHEET STATUS: 9/21/15

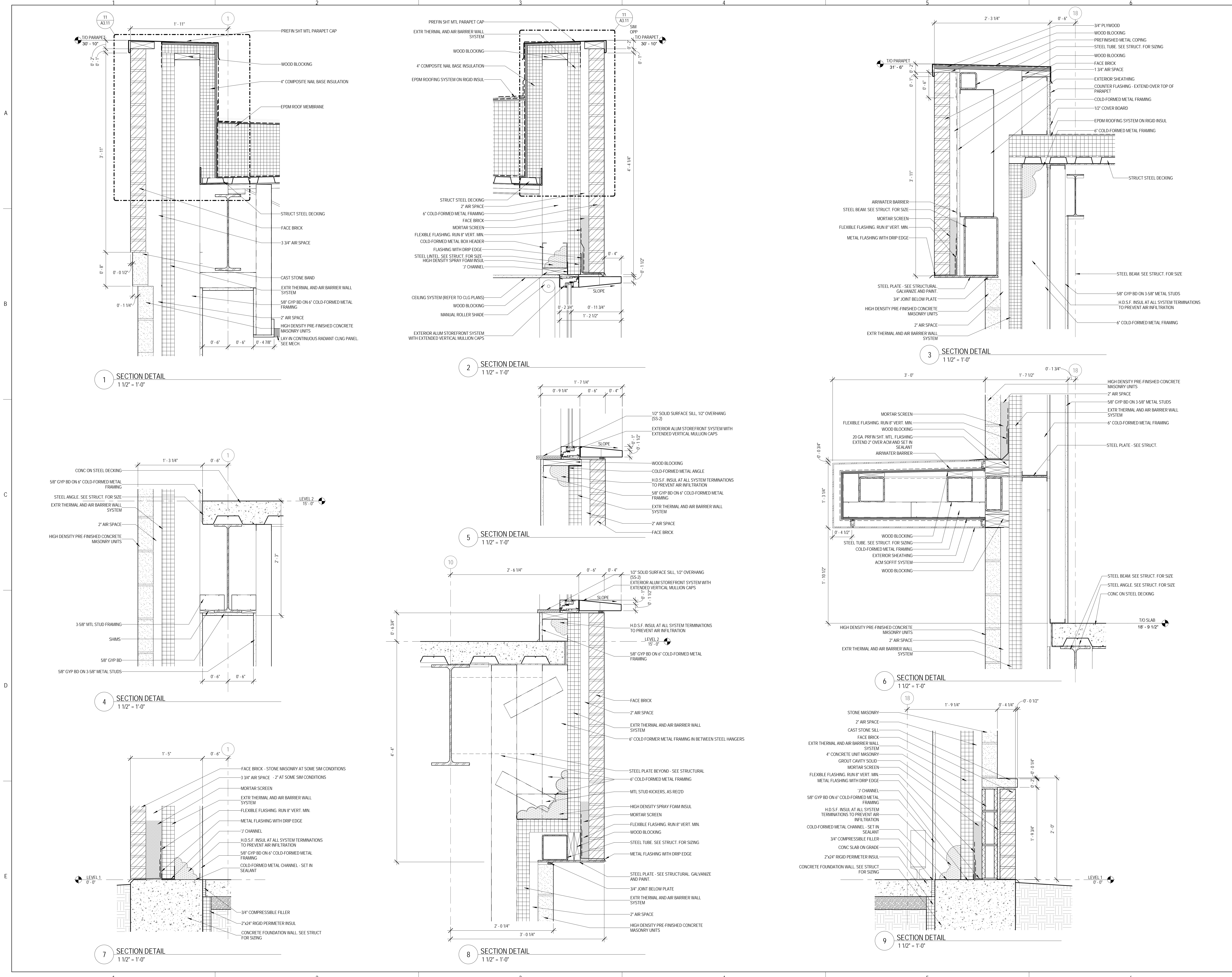
ISSUED FOR CONSTRUCTION

NO.	DESCRIPTION	DATE
1		

SHEET TITLE:
DETAILS

SHEET NUMBER:
A7.01

9/18/2015 9:34:14 AM



1 SECTION DETAIL
 1 1/2" = 1'-0"

2 SECTION DETAIL
 1 1/2" = 1'-0"

3 SECTION DETAIL
 1 1/2" = 1'-0"

4 SECTION DETAIL
 1 1/2" = 1'-0"

5 SECTION DETAIL
 1 1/2" = 1'-0"

6 SECTION DETAIL
 1 1/2" = 1'-0"

7 SECTION DETAIL
 1 1/2" = 1'-0"

8 SECTION DETAIL
 1 1/2" = 1'-0"

9 SECTION DETAIL
 1 1/2" = 1'-0"



ARCHITECT OF RECORD
 DEMONICA KEMPER ARCHITECTS
 125 N. HALSTED STREET, SUITE 301
 CHICAGO, IL 60661
 P: 312.496.0000

STRUCTURAL AND MEP/PF ENGINEERING
 KJWW ENGINEERING CONSULTANTS
 1100 WARRENVILLE RD. SUITE
 400W NAPERVILLE, IL 60563
 P: 630.527.2320

FOOD SERVICE CONSULTANT
 CINI LITTLE INTERNATIONAL, INC.
 200 E. HOWARD AVE. SUITE 212
 DES PLAINES, IL 60018
 P: 847.298.0088

CONSTRUCTION MANAGER
 JOLIET JUNIOR COLLEGE
 1215 HOUBOLT RD.
 JOLIET, IL 60431
 P: 815.280.2212

**JOLIET JUNIOR COLLEGE
 ROMEOVILLE CAMPUS EXPANSION**
 1125 135th ST. ROMEOVILLE, IL 60446
 DKA PROJECT NO: 14-005

KEY PLAN:

SHEET STATUS: 9/21/15

**ISSUED FOR
 CONSTRUCTION**

NO.	DESCRIPTION:	DATE:
1		

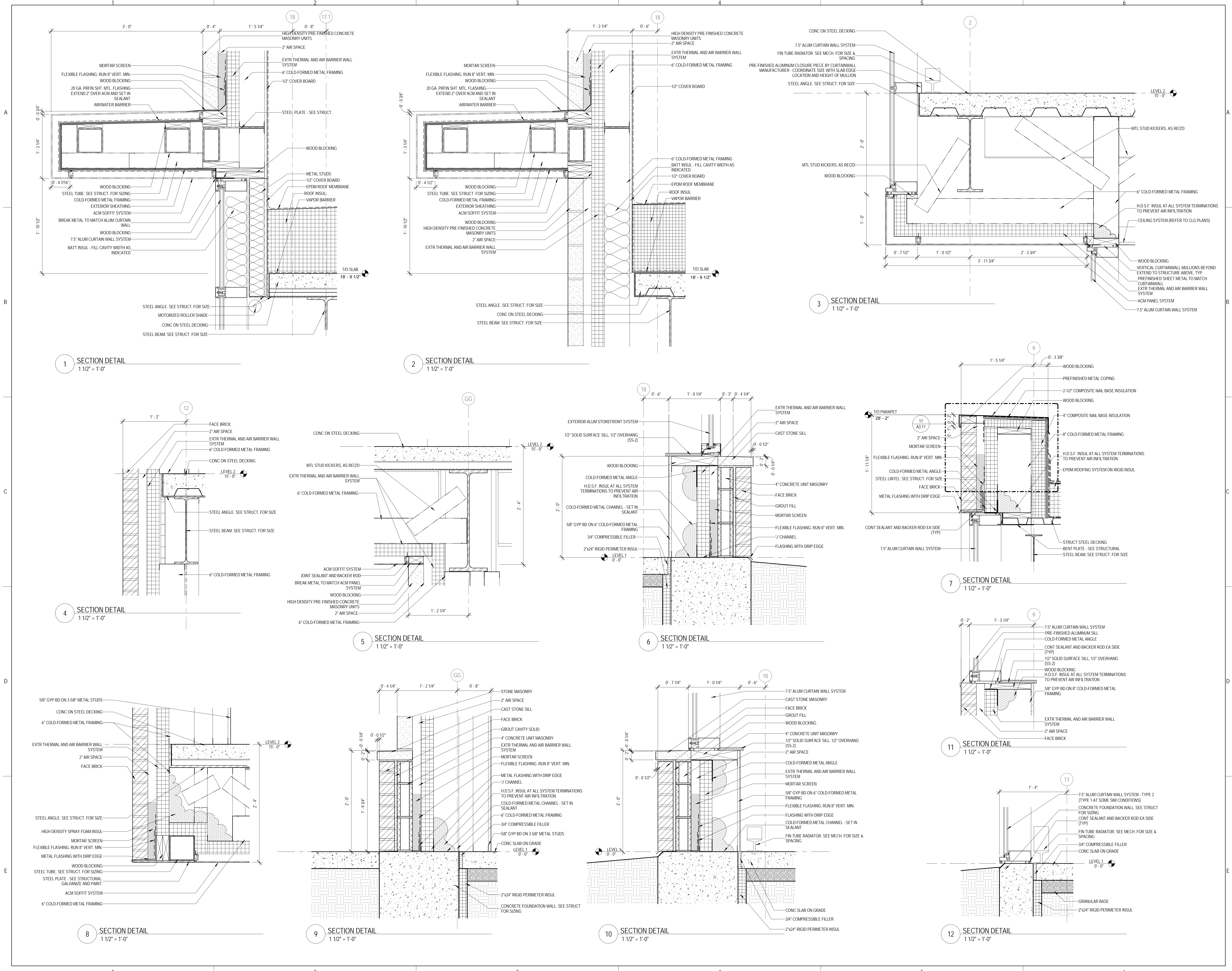
SHEET TITLE:

DETAILS

SHEET NUMBER:

A7.02

9/18/2015 9:34:23 AM



1 SECTION DETAIL
 1 1/2" = 1'-0"

2 SECTION DETAIL
 1 1/2" = 1'-0"

3 SECTION DETAIL
 1 1/2" = 1'-0"

4 SECTION DETAIL
 1 1/2" = 1'-0"

5 SECTION DETAIL
 1 1/2" = 1'-0"

6 SECTION DETAIL
 1 1/2" = 1'-0"

7 SECTION DETAIL
 1 1/2" = 1'-0"

11 SECTION DETAIL
 1 1/2" = 1'-0"

12 SECTION DETAIL
 1 1/2" = 1'-0"

8 SECTION DETAIL
 1 1/2" = 1'-0"

9 SECTION DETAIL
 1 1/2" = 1'-0"

10 SECTION DETAIL
 1 1/2" = 1'-0"



ARCHITECT OF RECORD
 DEMONICA KEMPER ARCHITECTS
 125 N. HALSTED STREET, SUITE 301
 CHICAGO, IL 60661
 P: 312.496.0000

STRUCTURAL AND MEP/FP ENGINEERING
 KJWW ENGINEERING CONSULTANTS
 1100 WARRENVILLE RD. SUITE
 400W NAPERVILLE, IL 60563
 P: 630.527.2320

FOOD SERVICE CONSULTANT
 CINI LITTLE INTERNATIONAL, INC.
 200 E. HOWARD AVE. SUITE 212
 DES PLAINES, IL 60018
 P: 847.298.0088

CONSTRUCTION MANAGER
 JOLIET JUNIOR COLLEGE
 1215 HOUBOLT RD.
 JOLIET, IL 60431
 P: 815.280.2212

**JOLIET JUNIOR COLLEGE
 ROMEOVILLE CAMPUS EXPANSION**
 1125 135th ST. ROMEOVILLE, IL 60446
 DKA PROJECT NO: 14-005

KEY PLAN:

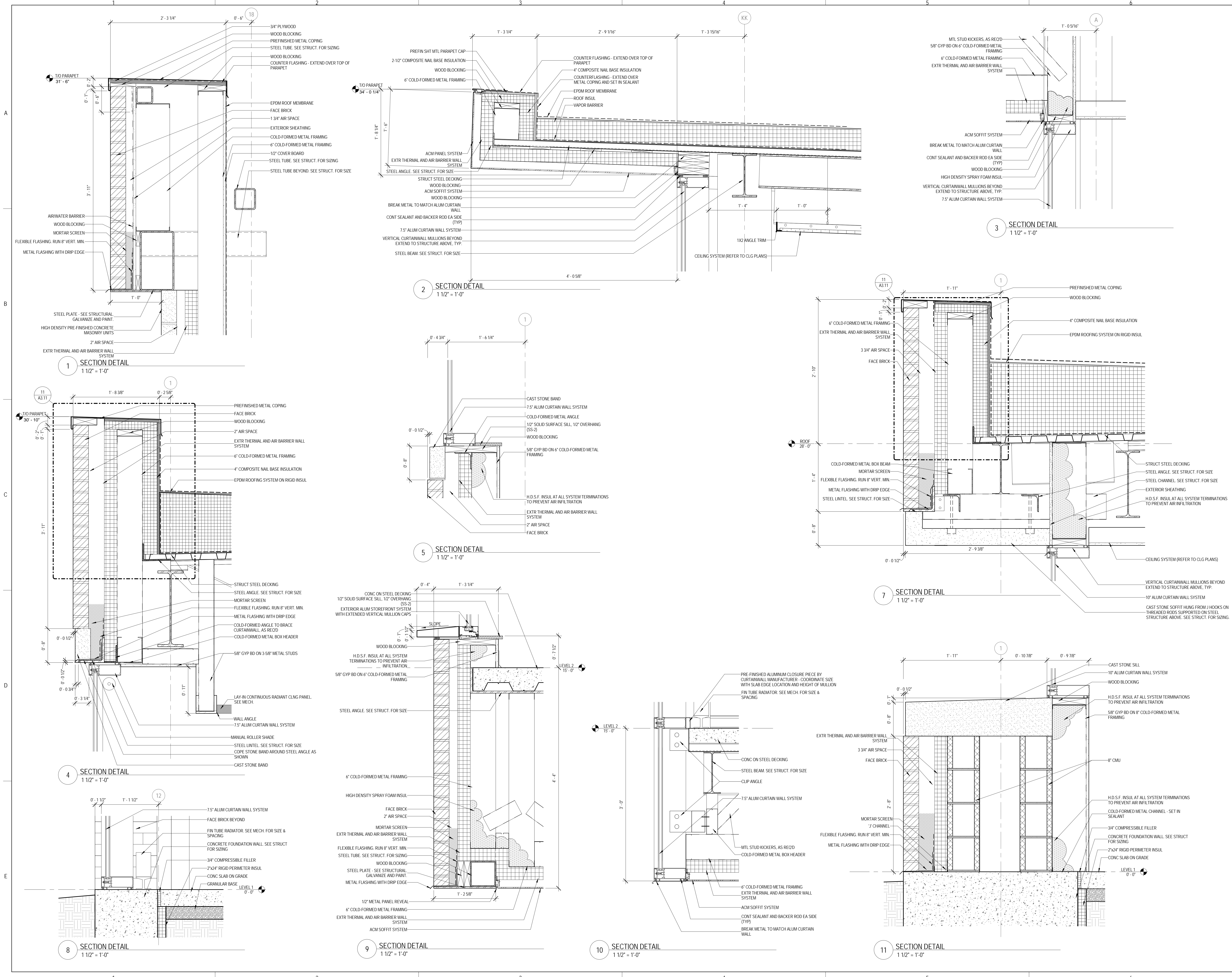
SHEET STATUS: 9/21/15
**ISSUED FOR
 CONSTRUCTION**

NO.	DESCRIPTION:	DATE:
1		

SHEET TITLE:
DETAILS

SHEET NUMBER:
A7.03

9/18/2015 9:34:31 AM



1 SECTION DETAIL
 1 1/2" = 1'-0"

2 SECTION DETAIL
 1 1/2" = 1'-0"

3 SECTION DETAIL
 1 1/2" = 1'-0"

5 SECTION DETAIL
 1 1/2" = 1'-0"

7 SECTION DETAIL
 1 1/2" = 1'-0"

4 SECTION DETAIL
 1 1/2" = 1'-0"

8 SECTION DETAIL
 1 1/2" = 1'-0"

9 SECTION DETAIL
 1 1/2" = 1'-0"

10 SECTION DETAIL
 1 1/2" = 1'-0"

11 SECTION DETAIL
 1 1/2" = 1'-0"



ARCHITECT OF RECORD
DEMIONA KEMPER ARCHITECTS
 125 N. HALSTED STREET, SUITE 301
 CHICAGO, IL 60661
 P: 312.496.0000

STRUCTURAL AND MEP/PF ENGINEERING
KJWW ENGINEERING CONSULTANTS
 1100 WARRENVILLE RD. SUITE
 400W NAPERVILLE, IL 60563
 P: 630.527.2320

FOOD SERVICE CONSULTANT
CINI LITTLE INTERNATIONAL, INC.
 200 E. HOWARD AVE. SUITE 212
 DES PLAINES, IL 60018
 P: 847.298.0088

CONSTRUCTION MANAGER
JOLIET JUNIOR COLLEGE
 1215 HOUBOLT RD.
 JOLIET, IL 60431
 P: 815.280.2212

**JOLIET JUNIOR COLLEGE
 ROMEVILLE CAMPUS EXPANSION**
 1125 135th ST. ROMEVILLE, IL 60446
 DKA PROJECT NO: 14-005

KEY PLAN:

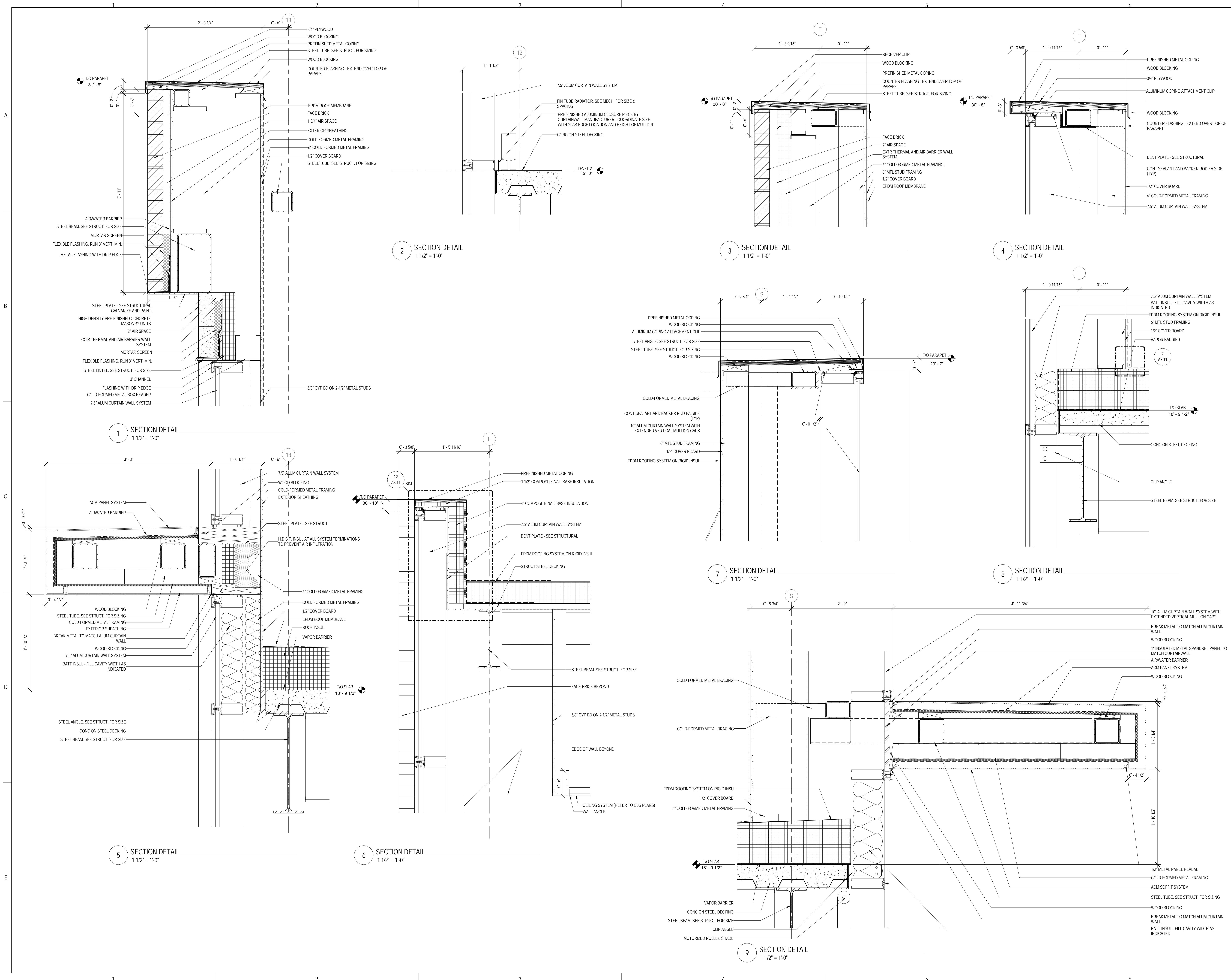
SHEET STATUS: 9/21/15
**ISSUED FOR
 CONSTRUCTION**

NO.	DESCRIPTION	DATE

SHEET TITLE:
DETAILS

SHEET NUMBER:
A7.04

9/18/2015 9:34:38 AM



1 SECTION DETAIL
 1 1/2" = 1'-0"

2 SECTION DETAIL
 1 1/2" = 1'-0"

3 SECTION DETAIL
 1 1/2" = 1'-0"

4 SECTION DETAIL
 1 1/2" = 1'-0"

5 SECTION DETAIL
 1 1/2" = 1'-0"

6 SECTION DETAIL
 1 1/2" = 1'-0"

7 SECTION DETAIL
 1 1/2" = 1'-0"

8 SECTION DETAIL
 1 1/2" = 1'-0"

9 SECTION DETAIL
 1 1/2" = 1'-0"



ARCHITECT OF RECORD
DEMIONA KEMPER ARCHITECTS
 125 N. HALSTED STREET, SUITE 301
 CHICAGO, IL 60661
 P: 312.496.0000

STRUCTURAL AND MEP/PF ENGINEERING
KJWW ENGINEERING CONSULTANTS
 1100 WARRENVILLE RD. SUITE
 400W NAPERVILLE, IL 60563
 P: 630.527.2320

FOOD SERVICE CONSULTANT
CINI LITTLE INTERNATIONAL, INC.
 200 E. HOWARD AVE. SUITE 212
 DES PLAINES, IL 60018
 P: 847.298.0088

CONSTRUCTION MANAGER
JOLIET JUNIOR COLLEGE
 1215 HOUBOLT RD.
 JOLIET, IL 60431
 P: 815.280.2212

**JOLIET JUNIOR COLLEGE
 ROMEOVILLE CAMPUS EXPANSION**
 1125 135th ST. ROMEOVILLE, IL 60446
 DKA PROJECT NO: 14-005

KEY PLAN:

SHEET STATUS: 9/21/15
**ISSUED FOR
 CONSTRUCTION**

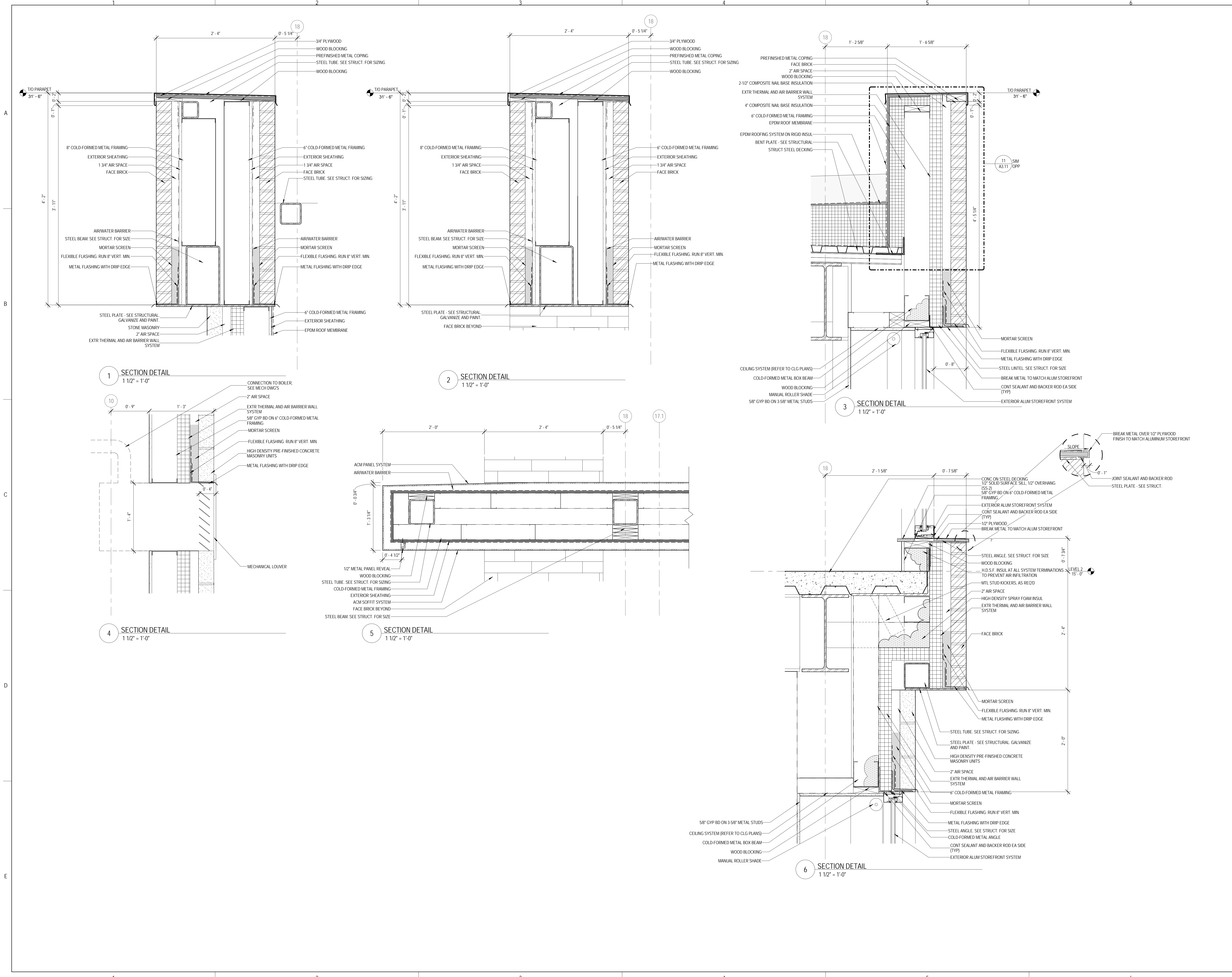
NO.	DESCRIPTION:	DATE:

SHEET TITLE:
DETAILS

SHEET NUMBER:

A7.05

9/18/2015 9:34:43 AM





ARCHITECT OF RECORD
DEMIONA KEMPER ARCHITECTS
 125 N. HALSTED STREET, SUITE 301
 CHICAGO, IL 60661
 P: 312.496.0000

STRUCTURAL AND MEP/FP ENGINEERING
KJWW ENGINEERING CONSULTANTS
 1100 WARRENVILLE RD. SUITE
 400W NAPERVILLE, IL 60563
 P: 630.527.2320

FOOD SERVICE CONSULTANT
CINI LITTLE INTERNATIONAL, INC.
 200 E. HOWARD AVE. SUITE 212
 DES PLAINES, IL 60018
 P: 847.298.0088

CONSTRUCTION MANAGER
JOLIET JUNIOR COLLEGE
 1215 HOUBOLT RD.
 JOLIET, IL 60431
 P: 815.280.2212

JOLIET JUNIOR COLLEGE
ROMEORVILLE CAMPUS EXPANSION
 1125 135th ST. ROMEORVILLE, IL 60446
 DKA PROJECT NO: 14-005

KEY PLAN:

SHEET STATUS: 9/21/15
ISSUED FOR CONSTRUCTION

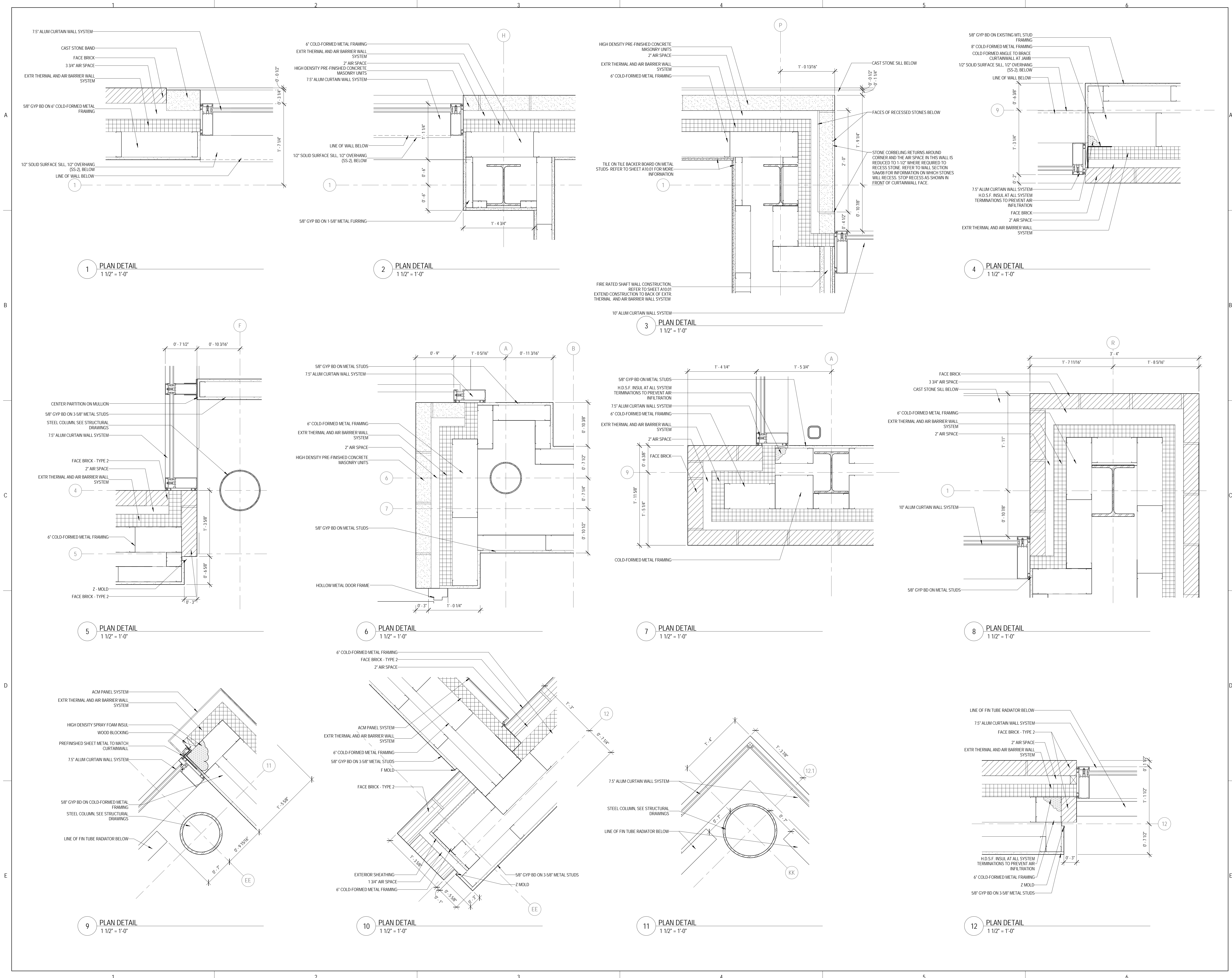
NO.	DESCRIPTION:	DATE:
1		

SHEET TITLE:
PLAN DETAILS

SHEET NUMBER:

A7.51

9/18/2015 9:34:54 AM





ARCHITECT OF RECORD
DEMONICA KEMPER ARCHITECTS
 125 N. HALSTED STREET, SUITE 301
 CHICAGO, IL 60661
 P: 312.496.0000

STRUCTURAL AND MEP/FP ENGINEERING
KJWW ENGINEERING CONSULTANTS
 1100 WARRENVILLE RD. SUITE 400
 400W NAPERVILLE, IL 60563
 P: 630.527.2320

FOOD SERVICE CONSULTANT
CINI LITTLE INTERNATIONAL, INC.
 200 E. HOWARD AVE. SUITE 212
 DES PLAINES, IL 60018
 P: 847.298.0088

CONSTRUCTION MANAGER
JOLIET JUNIOR COLLEGE
 1215 HOUBOLT RD.
 JOLIET, IL 60431
 P: 815.280.2212

**JOLIET JUNIOR COLLEGE
 ROMEOVILLE CAMPUS EXPANSION**
 1125 135th ST. ROMEOVILLE, IL 60446
 DKA PROJECT NO: 14-005

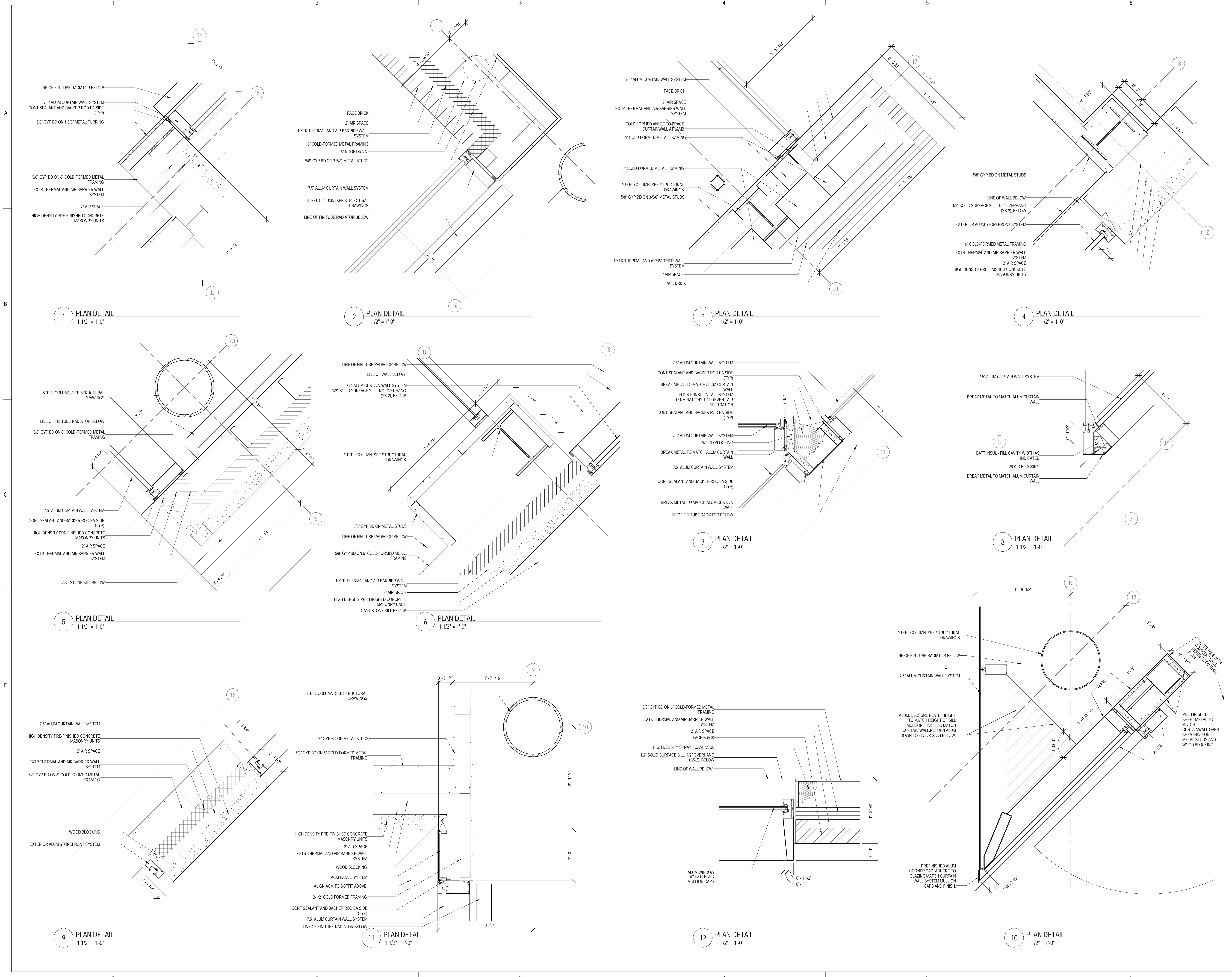
KEY PLAN:

SHEET STATUS: 9/21/15
ISSUED FOR CONSTRUCTION

NO.	DESCRIPTION	DATE
1		

SHEET TITLE:
PLAN DETAILS

SHEET NUMBER:
A7.52





ARCHITECT OF RECORD
DEMOMICA KEMPER ARCHITECTS
 125 N. HALSTED STREET, SUITE 301
 CHICAGO, IL 60661
 P: 312.496.0000

STRUCTURAL AND MEP/FP ENGINEERING
KJWW ENGINEERING CONSULTANTS
 1100 WARRENVILLE RD. SUITE
 400W NAPERVILLE, IL 60563
 P: 630.527.2320

FOOD SERVICE CONSULTANT
CINI LITTLE INTERNATIONAL, INC.
 200 E. HOWARD AVE. SUITE 212
 DES PLAINES, IL 60018
 P: 847.298.0088

CONSTRUCTION MANAGER
JOLIET JUNIOR COLLEGE
 1215 HOUBOLT RD.
 JOLIET, IL 60431
 P: 815.280.2212

**JOLIET JUNIOR COLLEGE
 ROMEOVILLE CAMPUS EXPANSION**
 1125 135th ST. ROMEOVILLE, IL 60446
 DKA PROJECT NO: 14-005

KEY PLAN:

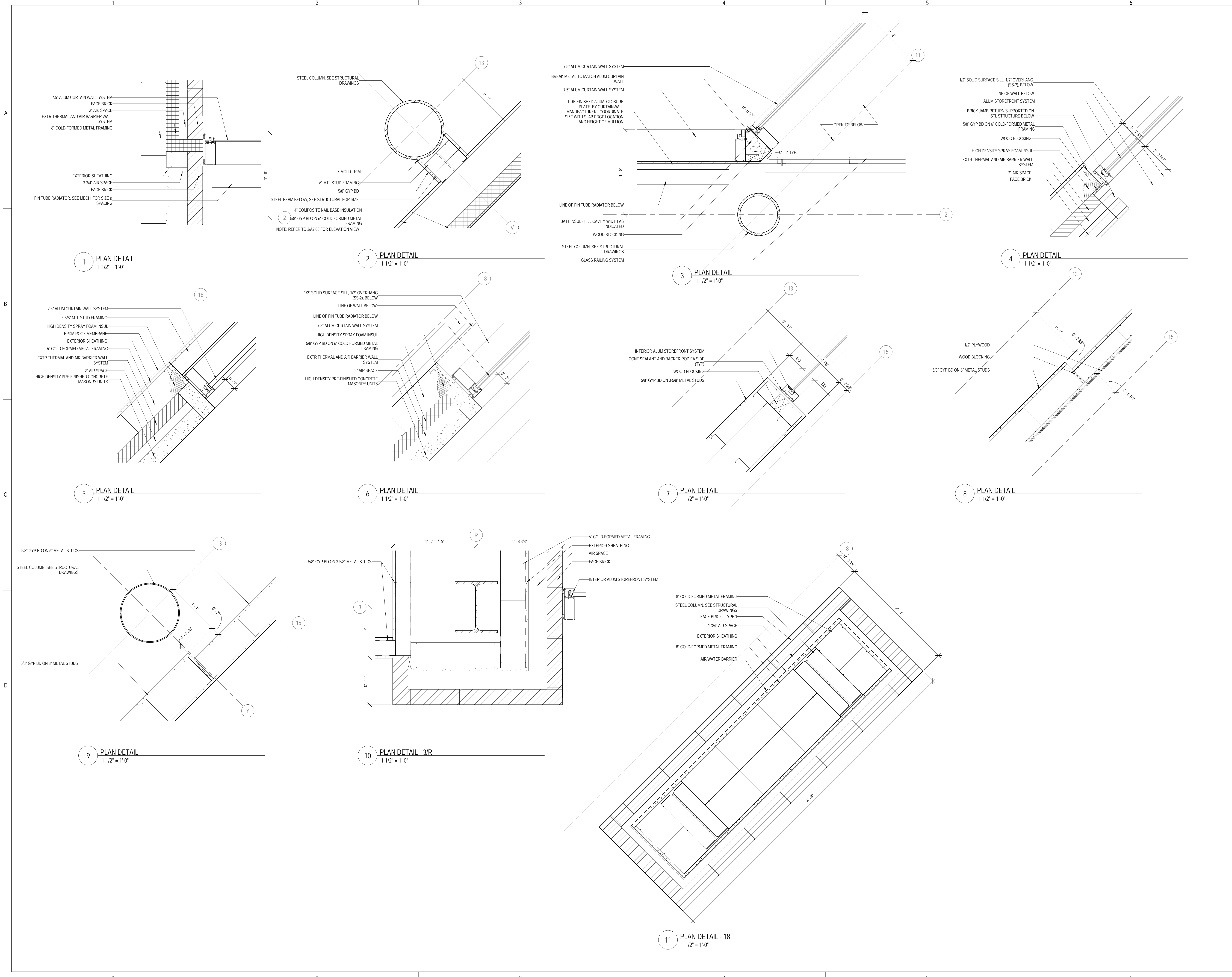
SHEET STATUS: 9/21/15
**ISSUED FOR
 CONSTRUCTION**

NO.	DESCRIPTION:	DATE:

SHEET TITLE:
PLAN DETAILS

SHEET NUMBER:
A7.53

9/18/2015 9:35:22 AM





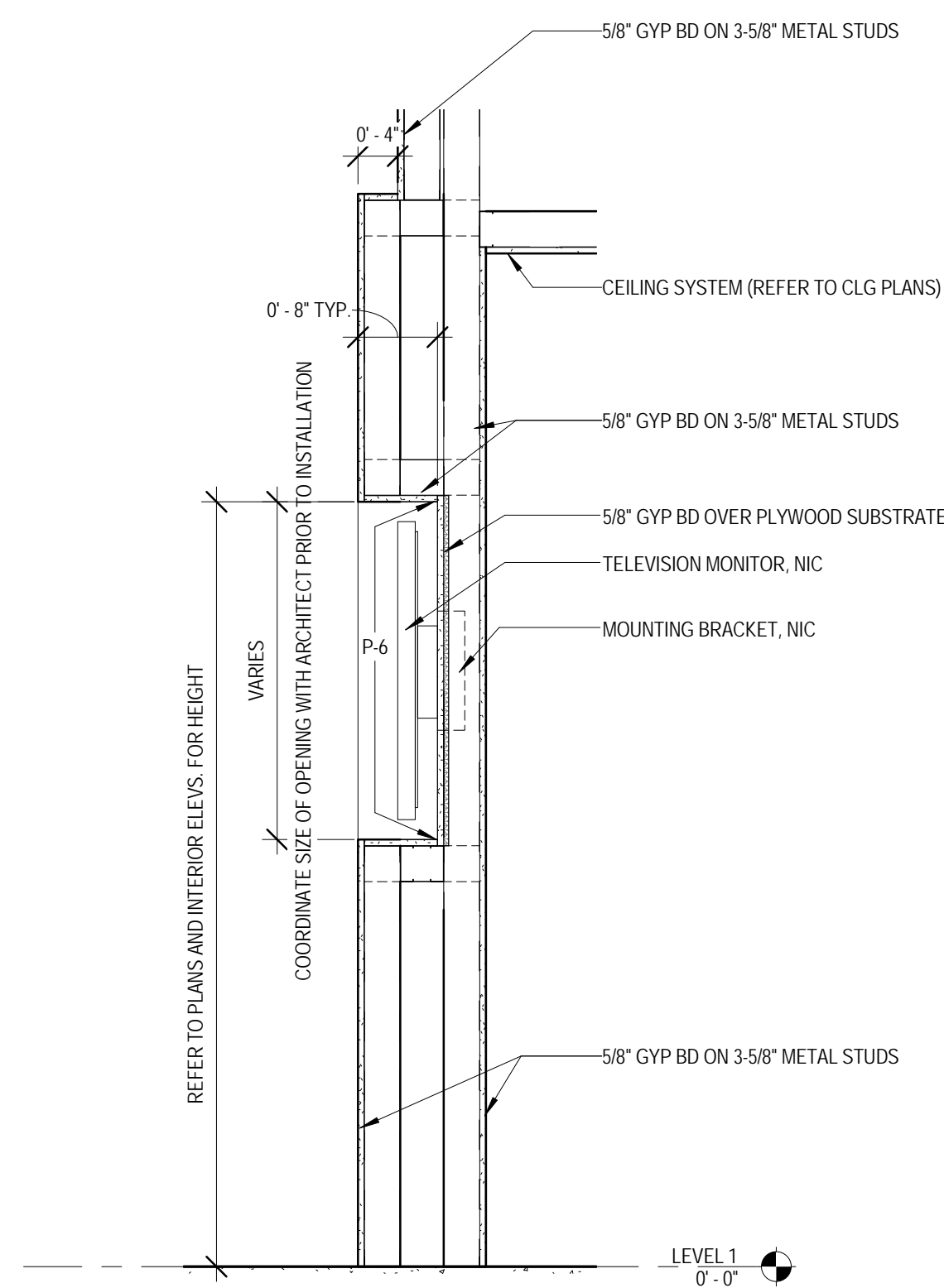
ARCHITECT OF RECORD
DEMONICA KEMPER ARCHITECTS
 125 N. HALSTED STREET, SUITE 301
 CHICAGO, IL 60661
 P: 312.496.0000

STRUCTURAL AND MEP/FP ENGINEERING
KJWW ENGINEERING CONSULTANTS
 1100 WARRENVILLE RD. SUITE
 400W WARRENVILLE, IL 60563
 P: 630.527.2320

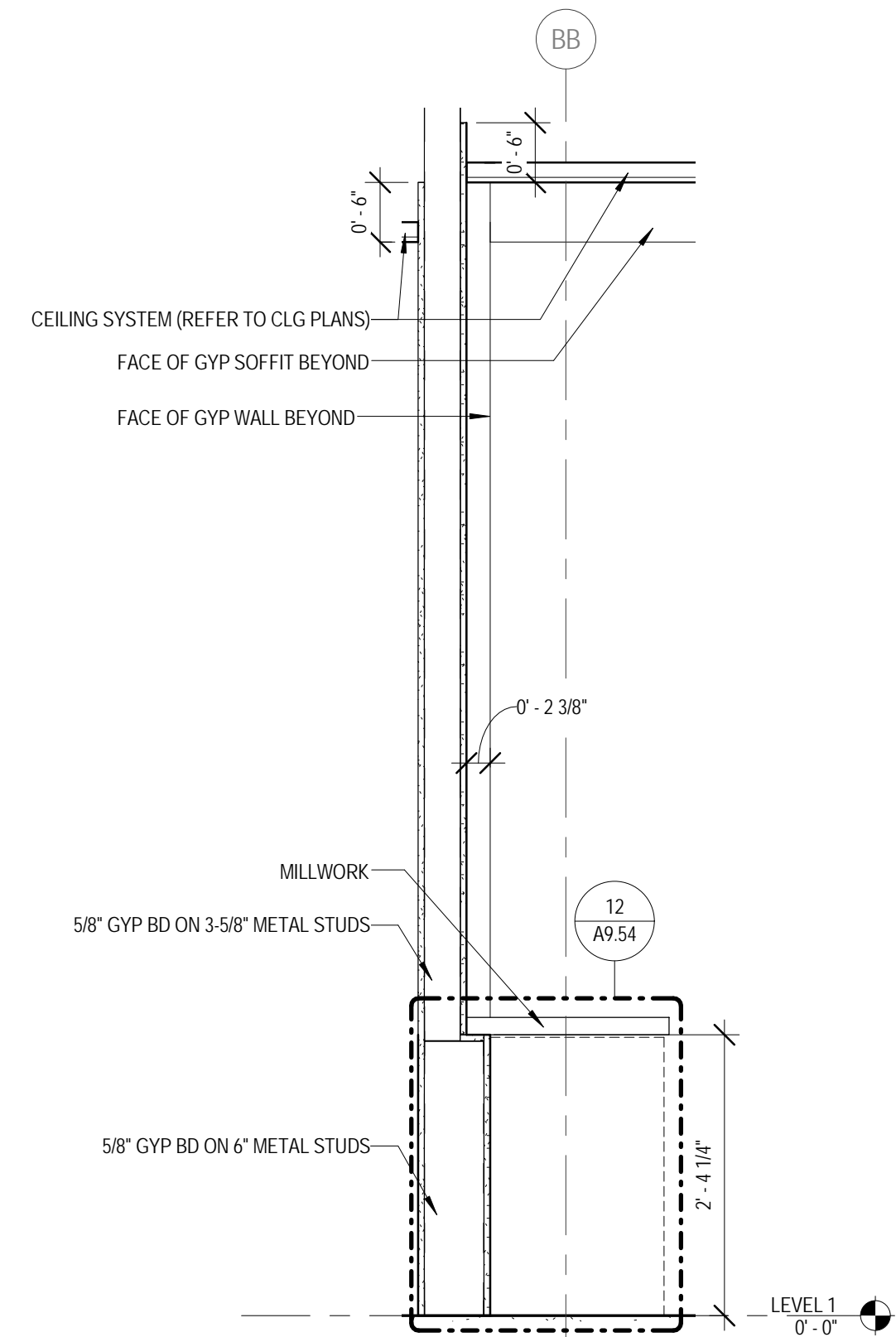
FOOD SERVICE CONSULTANT
CINI LITTLE INTERNATIONAL, INC.
 200 E. HOWARD AVE. SUITE 212
 DES PLAINES, IL 60018
 P: 847.298.0088

CONSTRUCTION MANAGER
JOLIET JUNIOR COLLEGE
 1215 HOUBOLT RD.
 JOLIET, IL 60431
 P: 815.280.2212

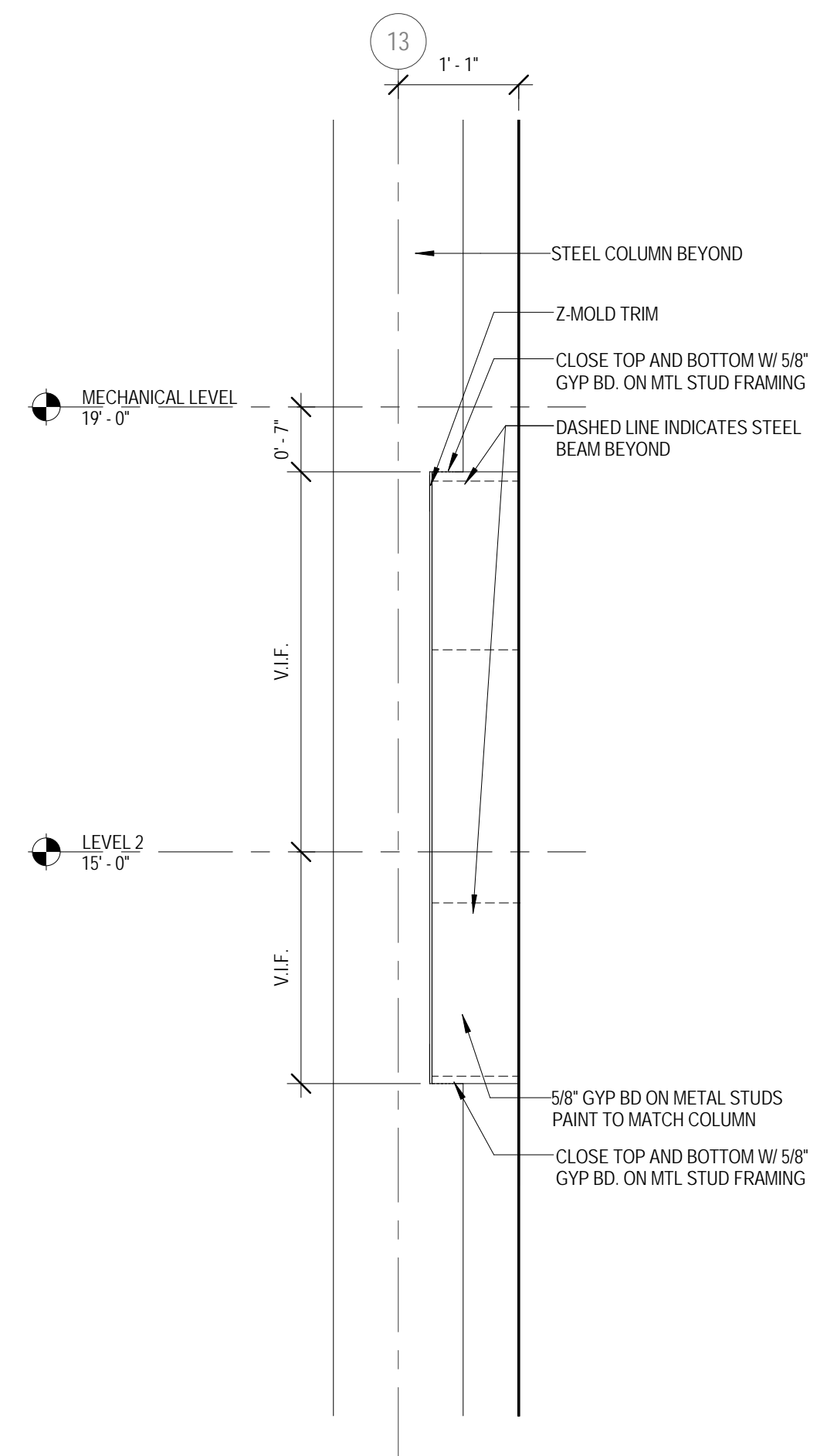
JOLIET JUNIOR COLLEGE
ROMEIOVILLE CAMPUS EXPANSION
 1125 135th ST. ROMEIOVILLE, IL 60446
 DKA PROJECT NO: 14-005



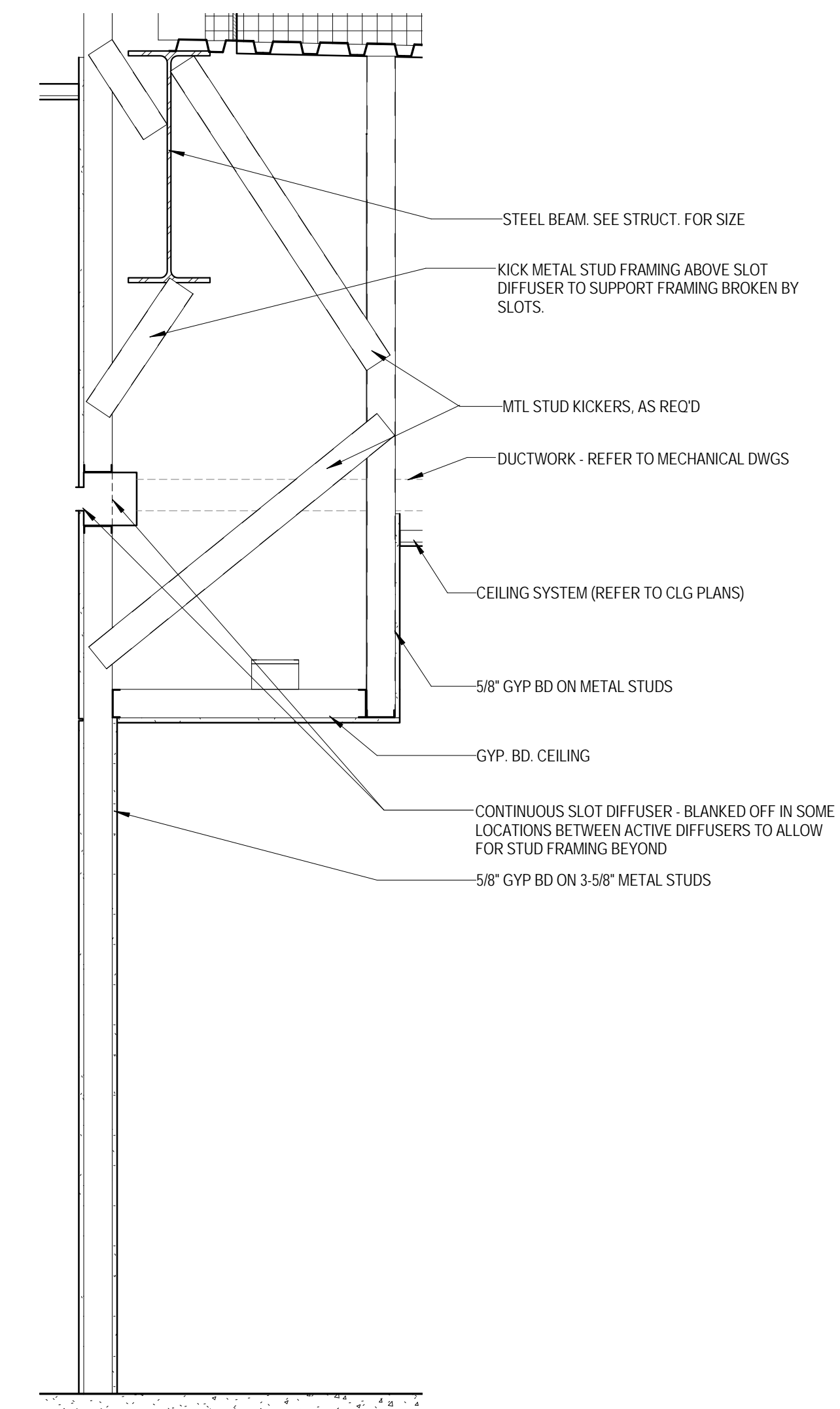
1 INTERIOR WALL SECTION - TYPICAL MONITOR RECESS
 3/4" = 1'-0"



2 INTERIOR WALL SECTION - STUDENT SERVICES
 3/4" = 1'-0"



3 INTERIOR WALL SECTION - BEAM ENCLOSURE @
 ATRIUM COLUMN
 3/4" = 1'-0"



4 INTERIOR WALL SECTION - LINEAR DIFFUSER @
 CORRIDOR 2109
 3/4" = 1'-0"

KEY PLAN:

SHEET STATUS: 9/21/15

**ISSUED FOR
 CONSTRUCTION**

NO.	DESCRIPTION:	DATE:

SHEET TITLE:
INTERIOR DETAILS

SHEET NUMBER:

A7.81



ARCHITECT OF RECORD
 DEMONICA KEMPER ARCHITECTS
 125 N. HALSTED STREET, SUITE 301
 CHICAGO, IL 60661
 P: 312.496.0000

STRUCTURAL AND MEP/PFP ENGINEERING
 KJWW ENGINEERING CONSULTANTS
 1100 WARRENVILLE RD. SUITE
 400W NAPERVILLE, IL 60563
 P: 630.527.2320

FOOD SERVICE CONSULTANT
 CINI LITTLE INTERNATIONAL, INC.
 200 E. HOWARD AVE. SUITE 212
 DES PLAINES, IL 60018
 P: 847.298.0088

CONSTRUCTION MANAGER
 JOLIET JUNIOR COLLEGE
 1215 HOUBOLT RD.
 JOLIET, IL 60431
 P: 815.280.2212

**JOLIET JUNIOR COLLEGE
 ROMEVILLE CAMPUS EXPANSION**
 1125 135th ST. ROMEVILLE, IL 60446
 DKA PROJECT NO: 14-005

KEY PLAN:

SHEET STATUS: 9/21/15

**ISSUED FOR
 CONSTRUCTION**

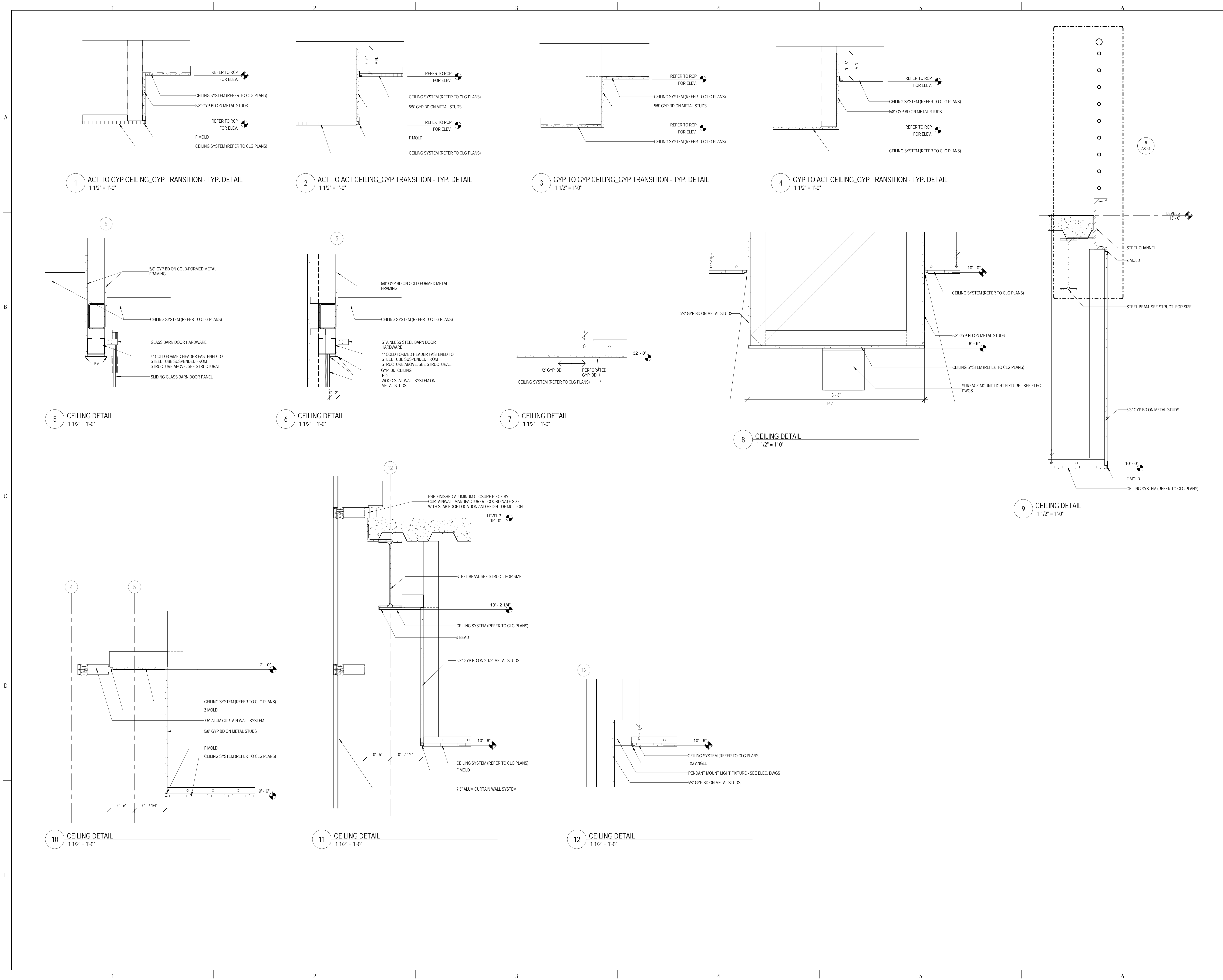
NO.	DESCRIPTION:	DATE:

SHEET TITLE:
CEILING DETAILS

SHEET NUMBER:

A7.91

9/18/2015 9:35:31 AM





ARCHITECT OF RECORD
DEMIONA KEMPER ARCHITECTS
 125 N. HALSTED STREET, SUITE 301
 CHICAGO, IL 60661
 P: 312.496.0000

STRUCTURAL AND MEP/FP ENGINEERING
KJWW ENGINEERING CONSULTANTS
 1100 WARRENVILLE RD. SUITE
 400W NAPERVILLE, IL 60563
 P: 630.527.2320

FOOD SERVICE CONSULTANT
CINI LITTLE INTERNATIONAL, INC.
 200 E. HOWARD AVE. SUITE 212
 DES PLAINES, IL 60018
 P: 847.298.0088

CONSTRUCTION MANAGER
JOLIET JUNIOR COLLEGE
 1215 HOUBOLT RD.
 JOLIET, IL 60431
 P: 815.280.2212

**JOLIET JUNIOR COLLEGE
 ROMEOVILLE CAMPUS EXPANSION**
 1125 135th ST. ROMEOVILLE, IL 60446
 DKA PROJECT NO: 14-005

KEY PLAN:

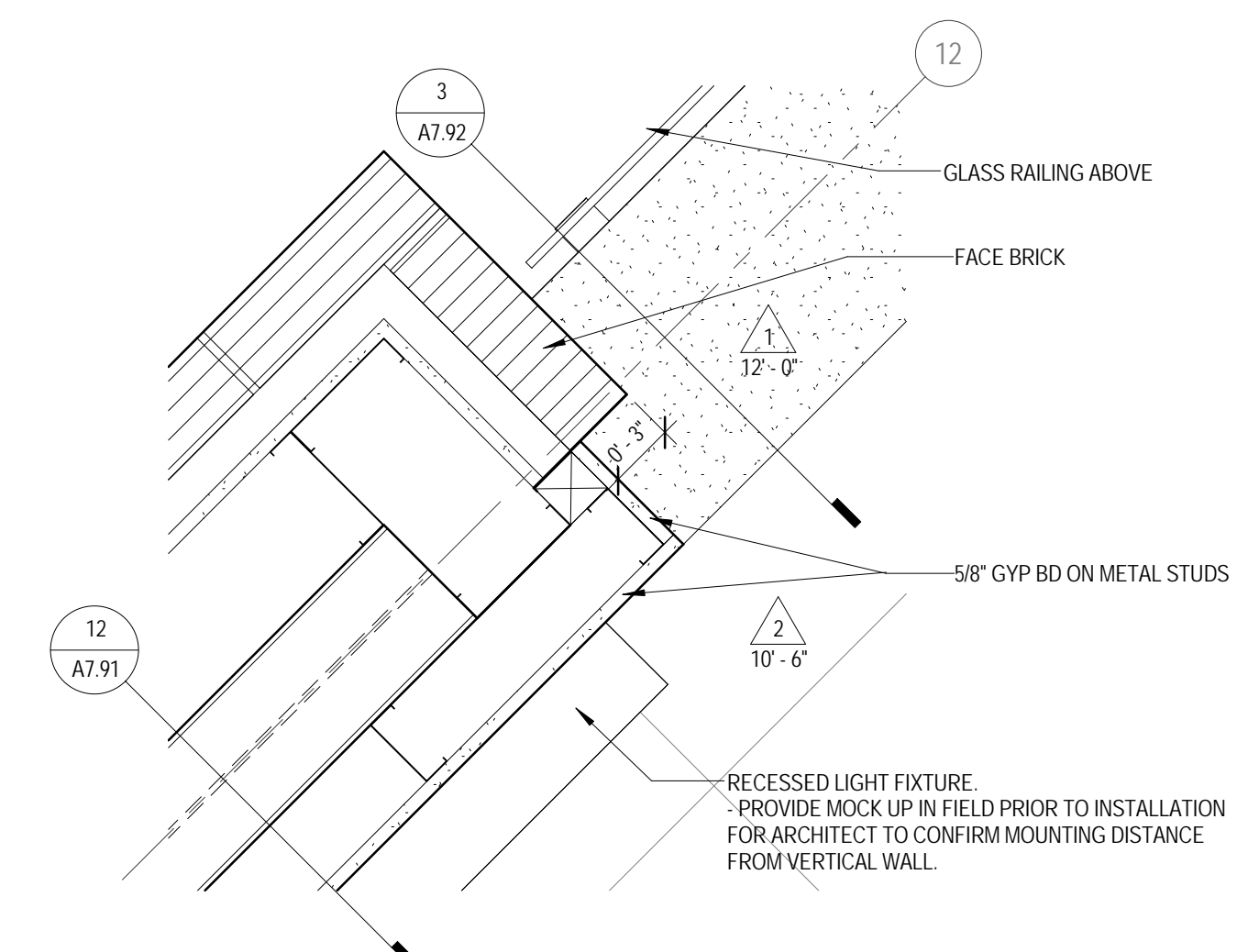
SHEET STATUS: 9/21/15
**ISSUED FOR
 CONSTRUCTION**

NO.	DESCRIPTION:	DATE:

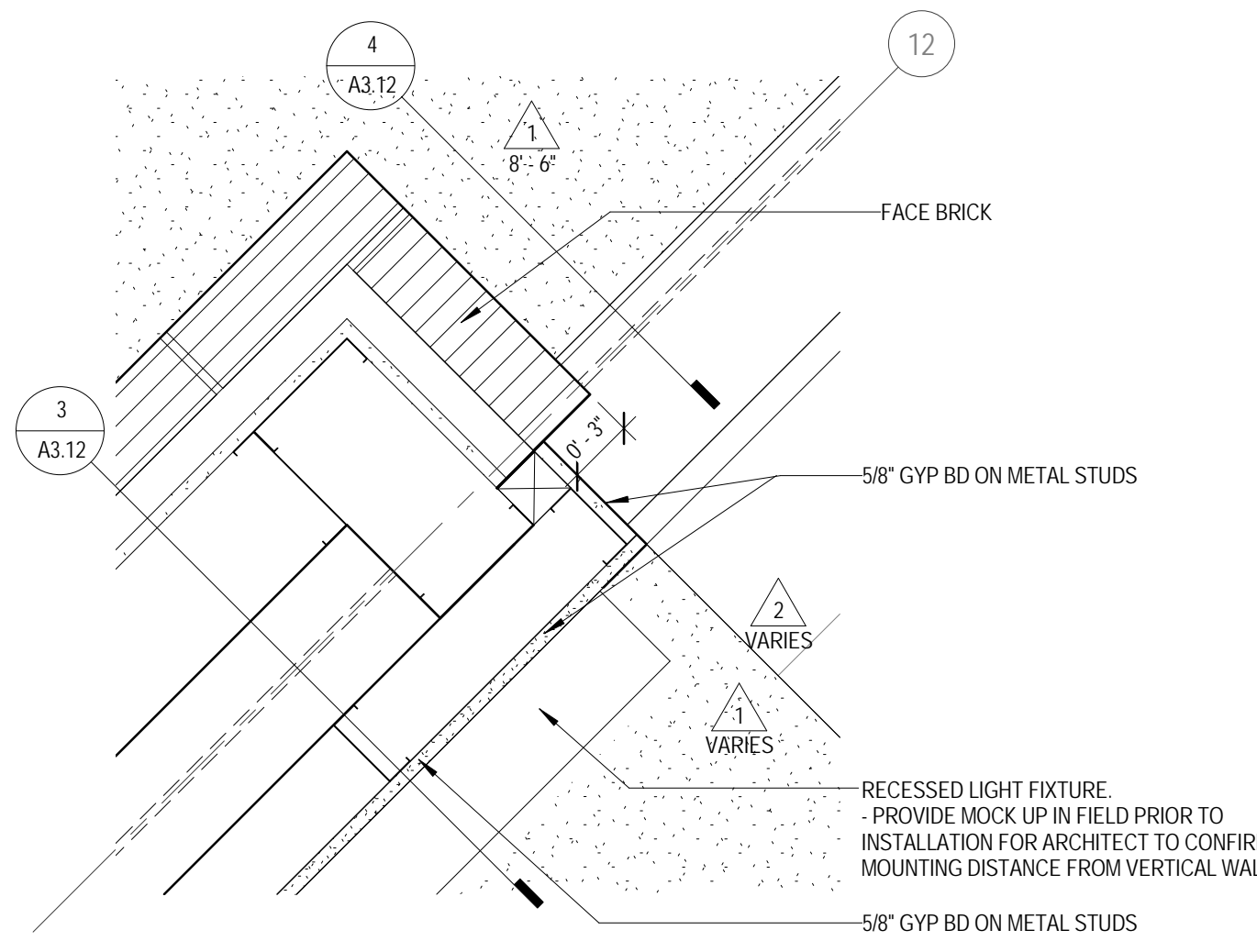
SHEET TITLE:
CEILING DETAILS

SHEET NUMBER:
A7.92

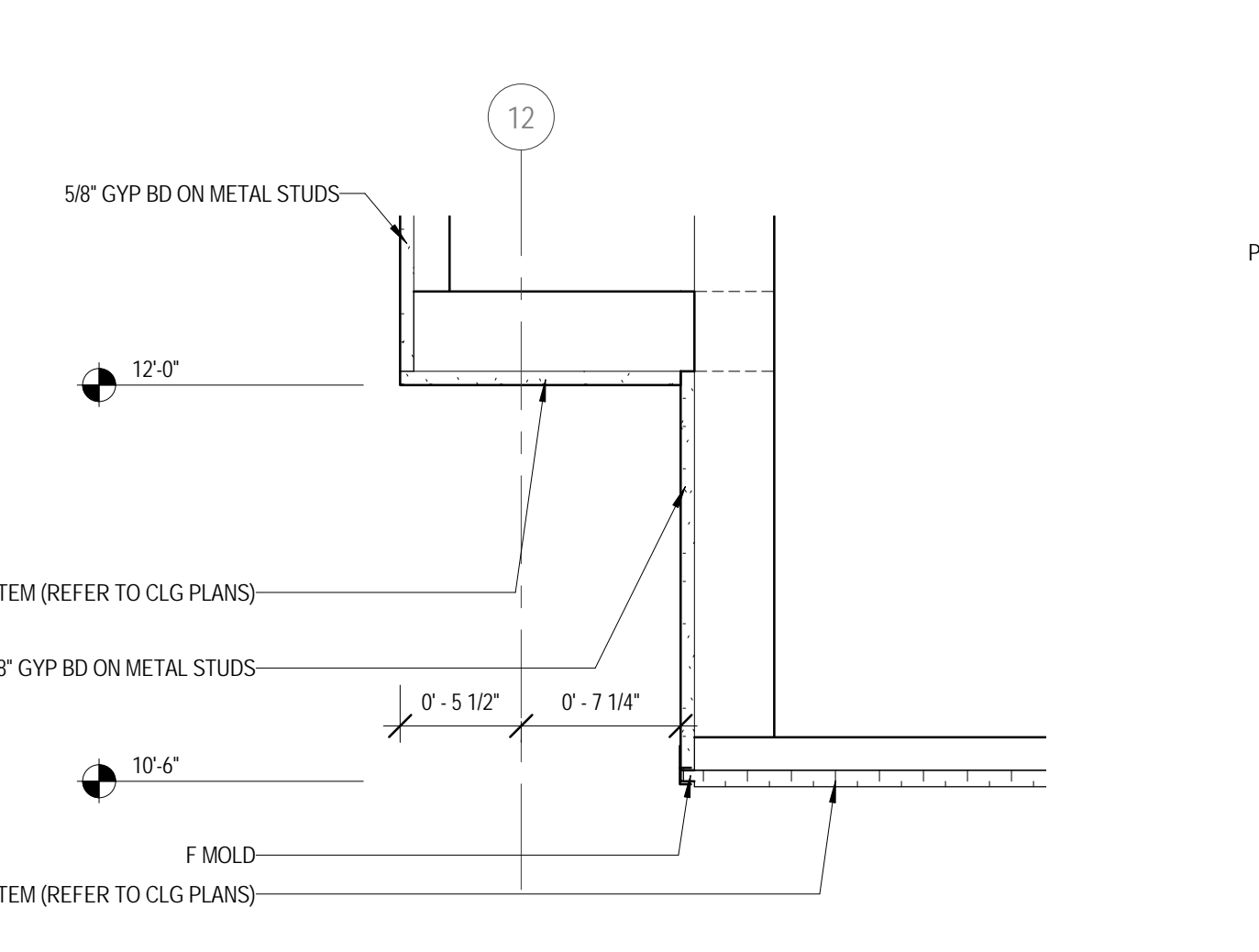
9/18/2015 9:35:38 AM



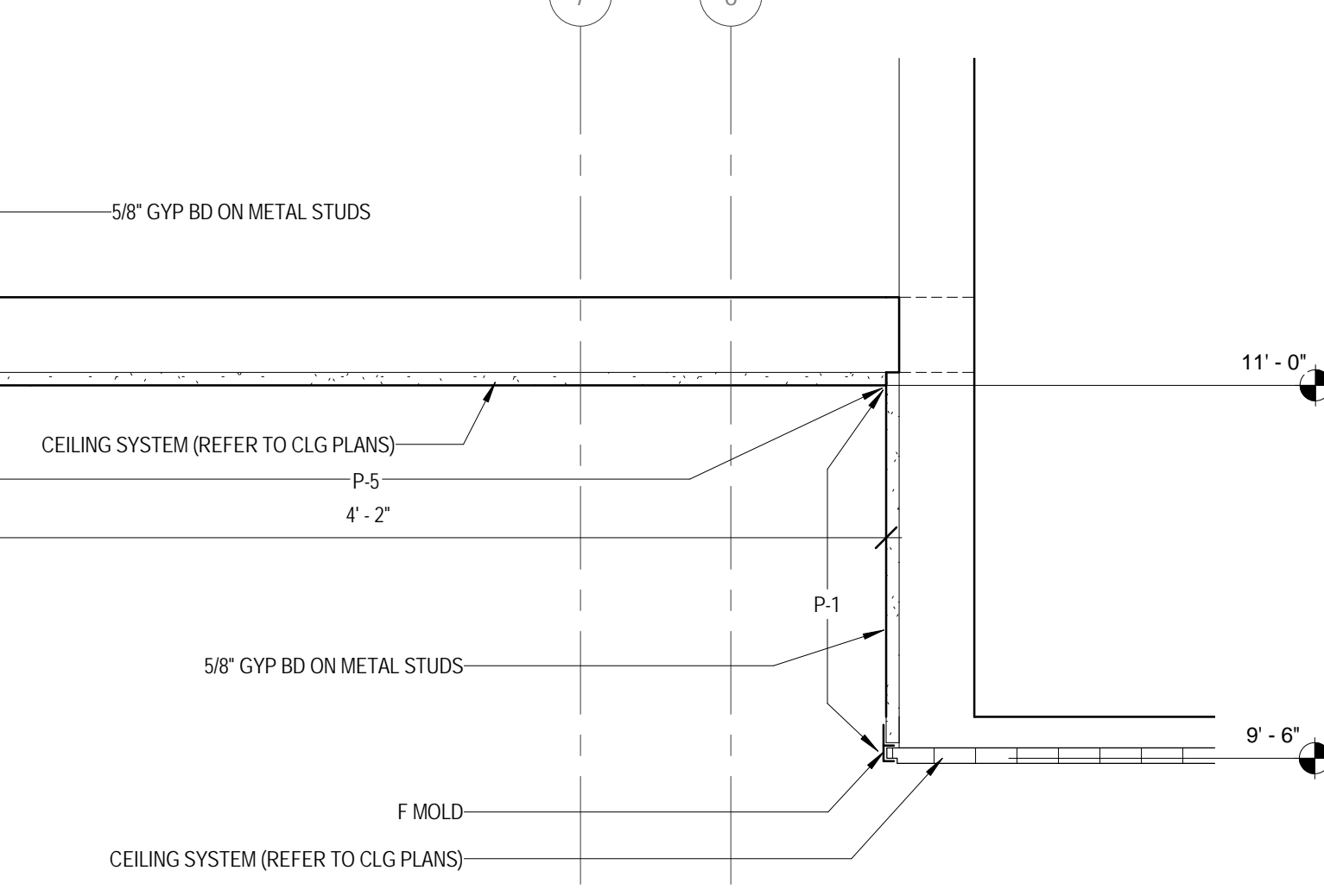
1 CEILING DETAIL
 1 1/2" = 1'-0"



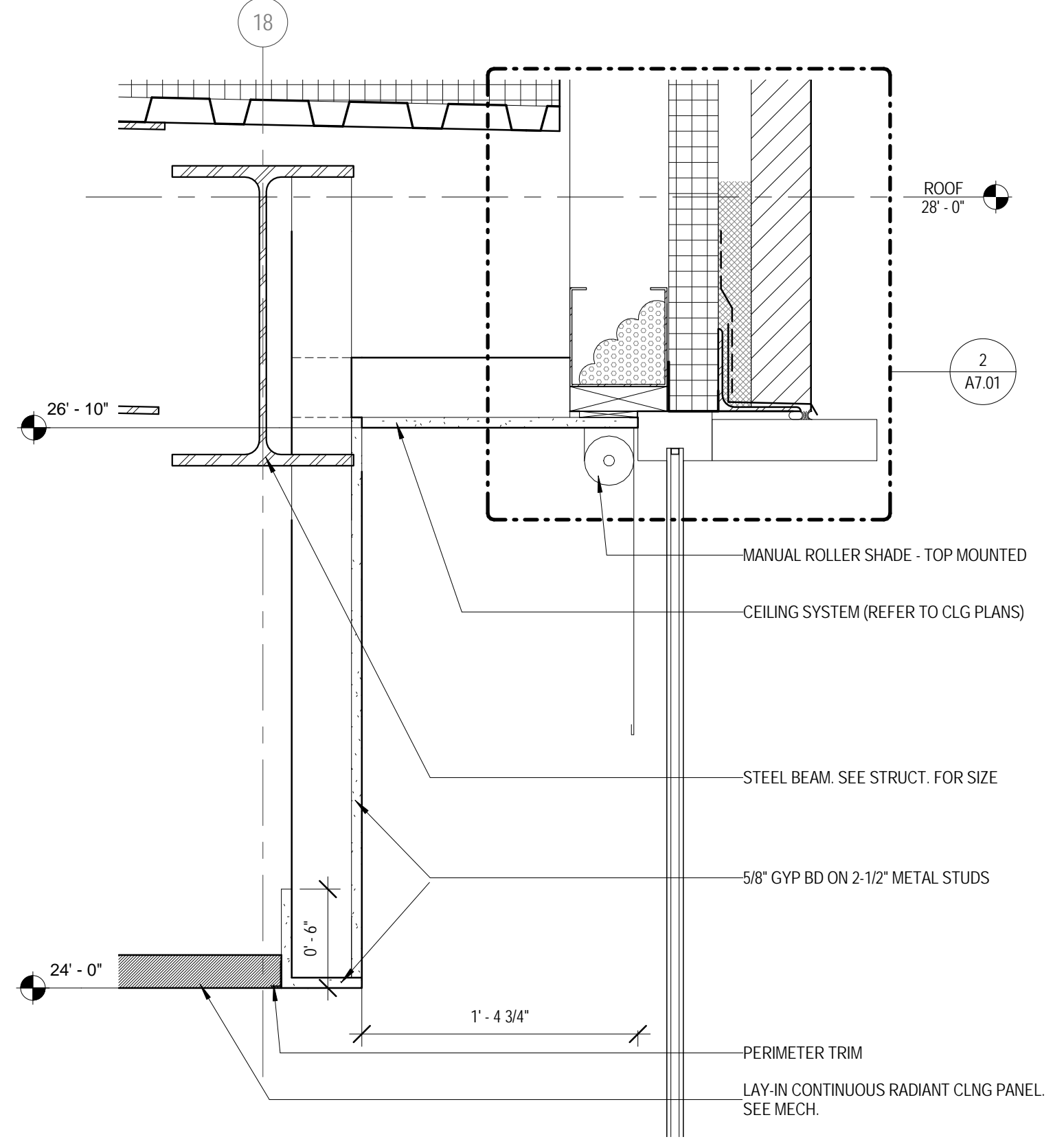
2 CEILING DETAIL
 1 1/2" = 1'-0"



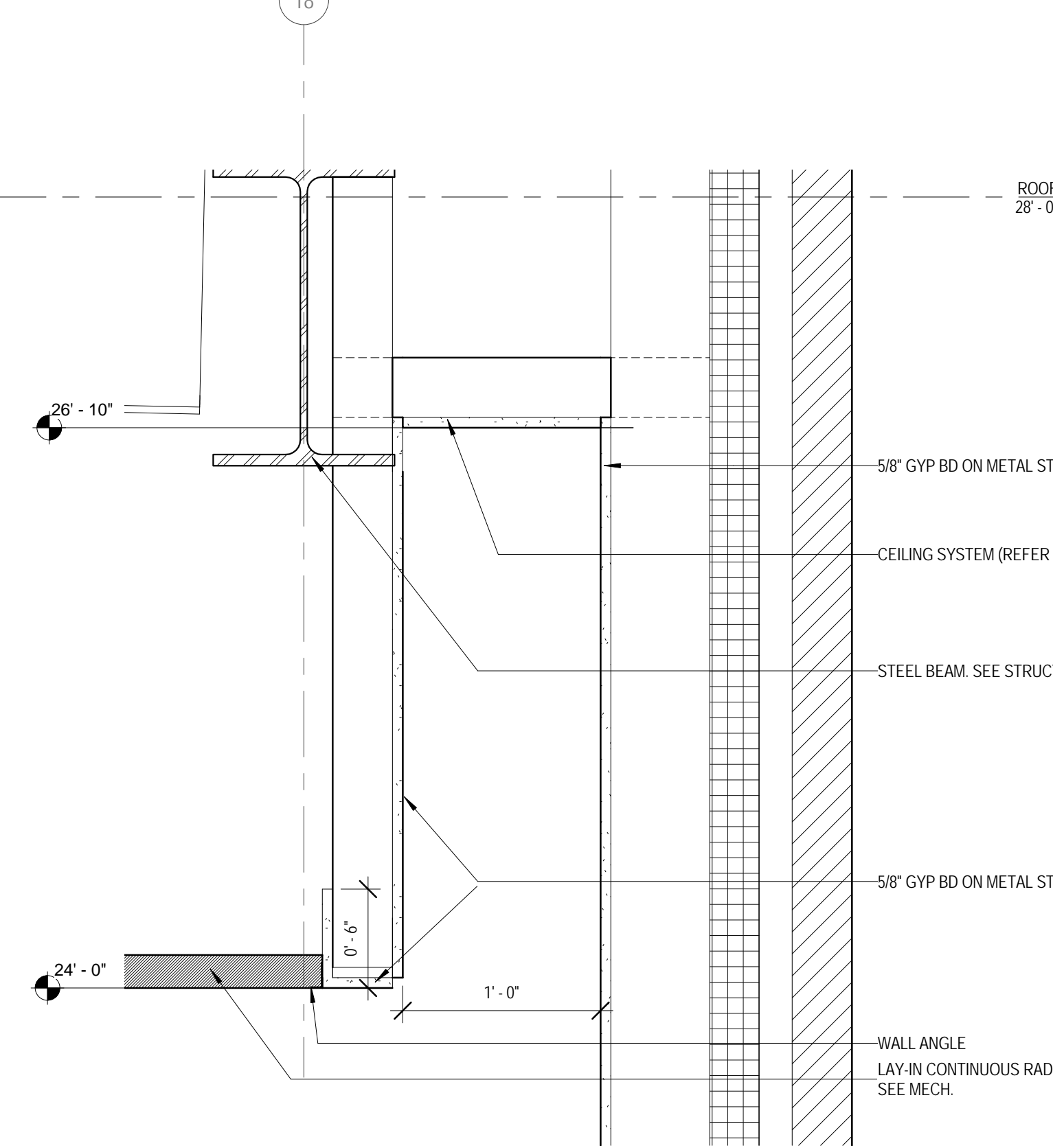
3 CEILING DETAIL
 1 1/2" = 1'-0"



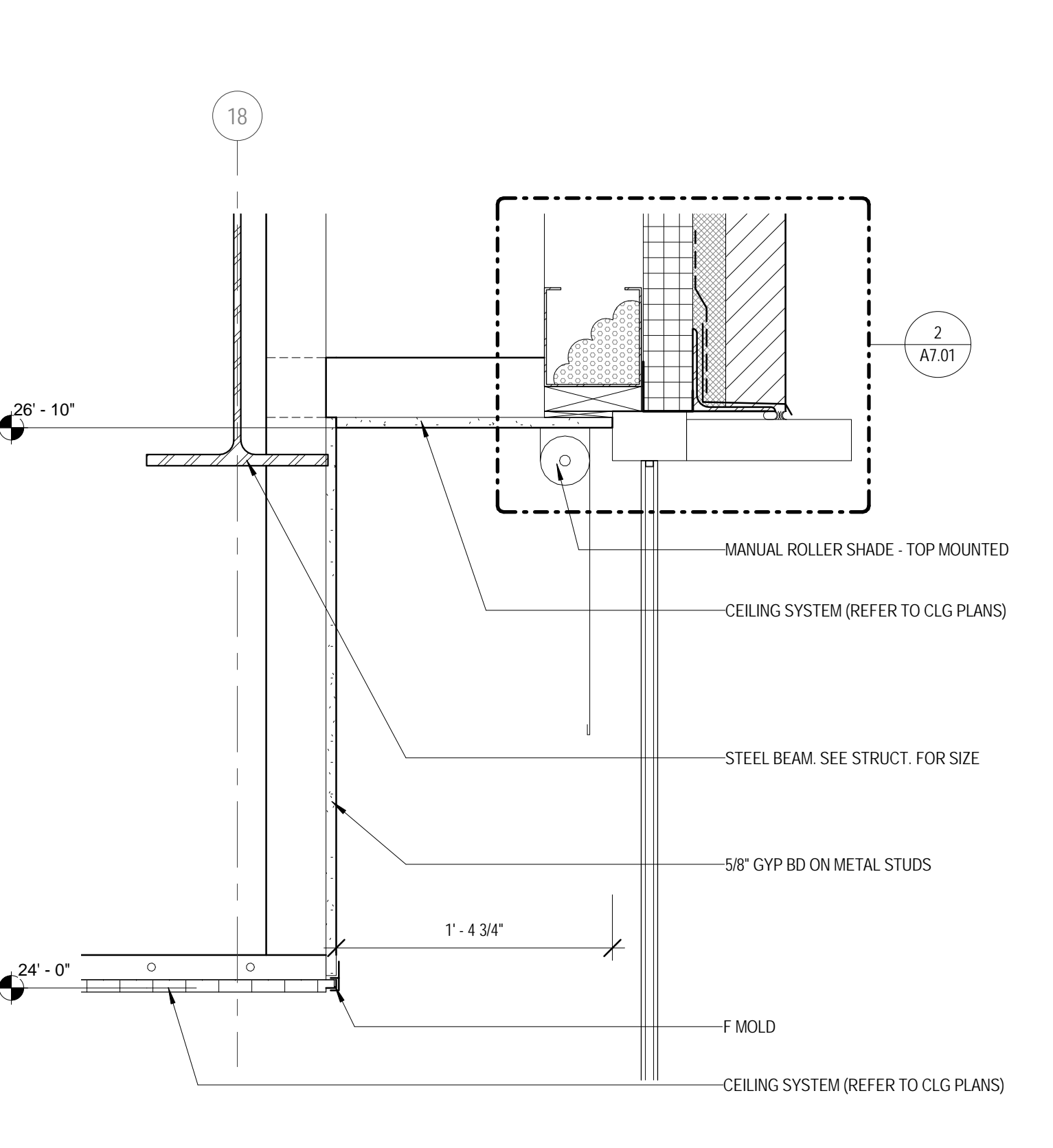
4 CEILING DETAIL
 1 1/2" = 1'-0"



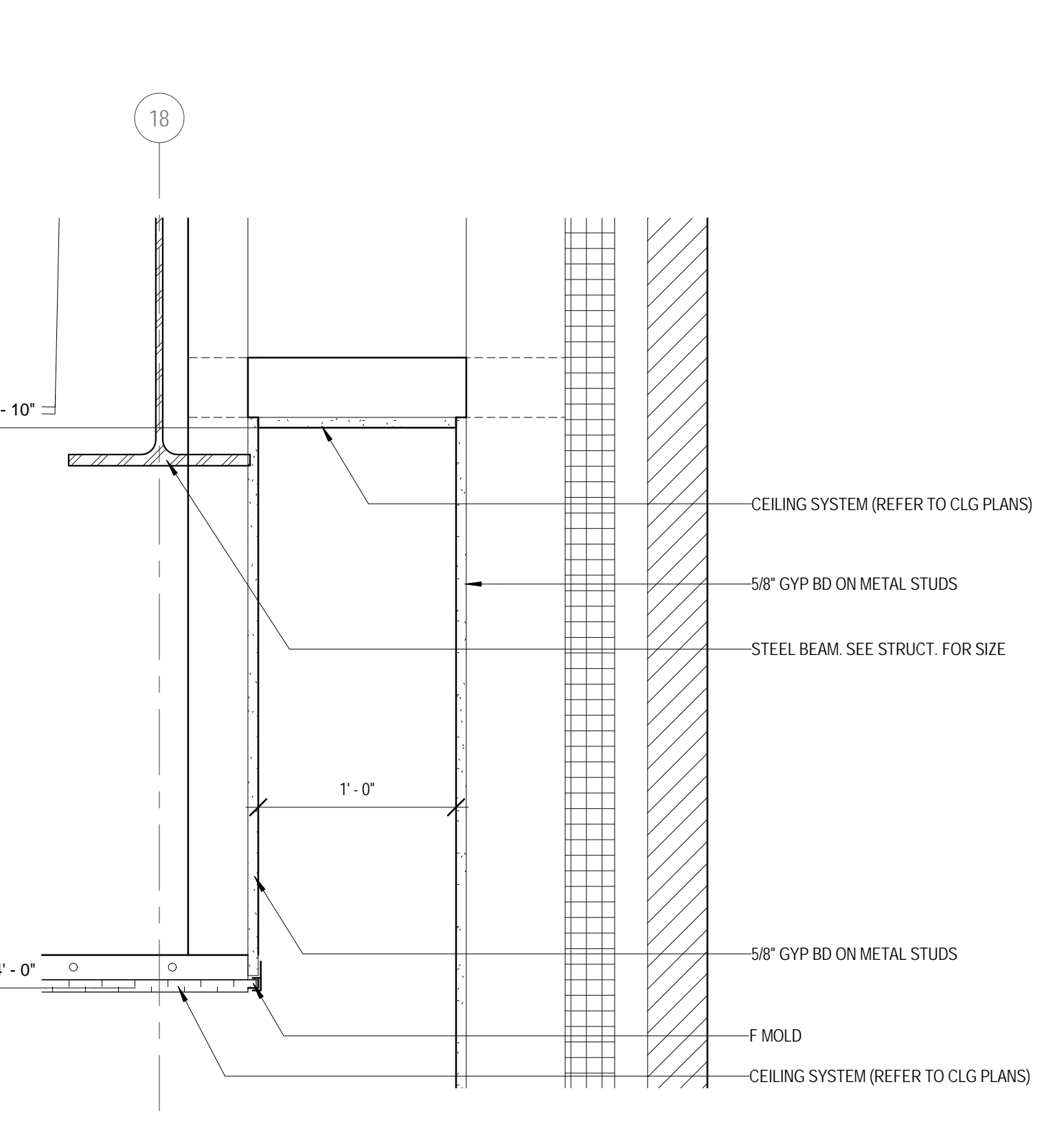
5 CEILING DETAIL
 1 1/2" = 1'-0"



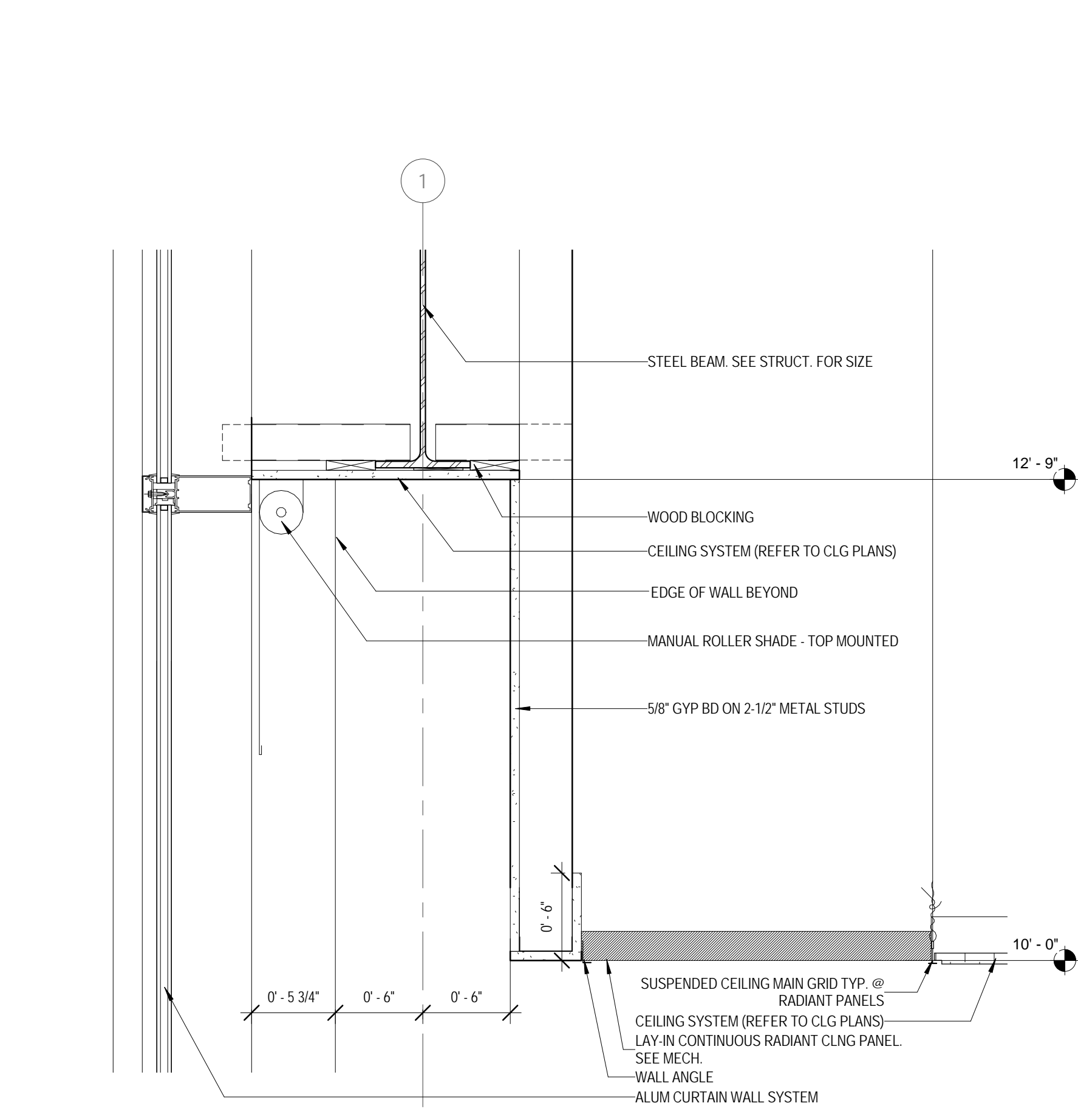
6 CEILING DETAIL
 1 1/2" = 1'-0"



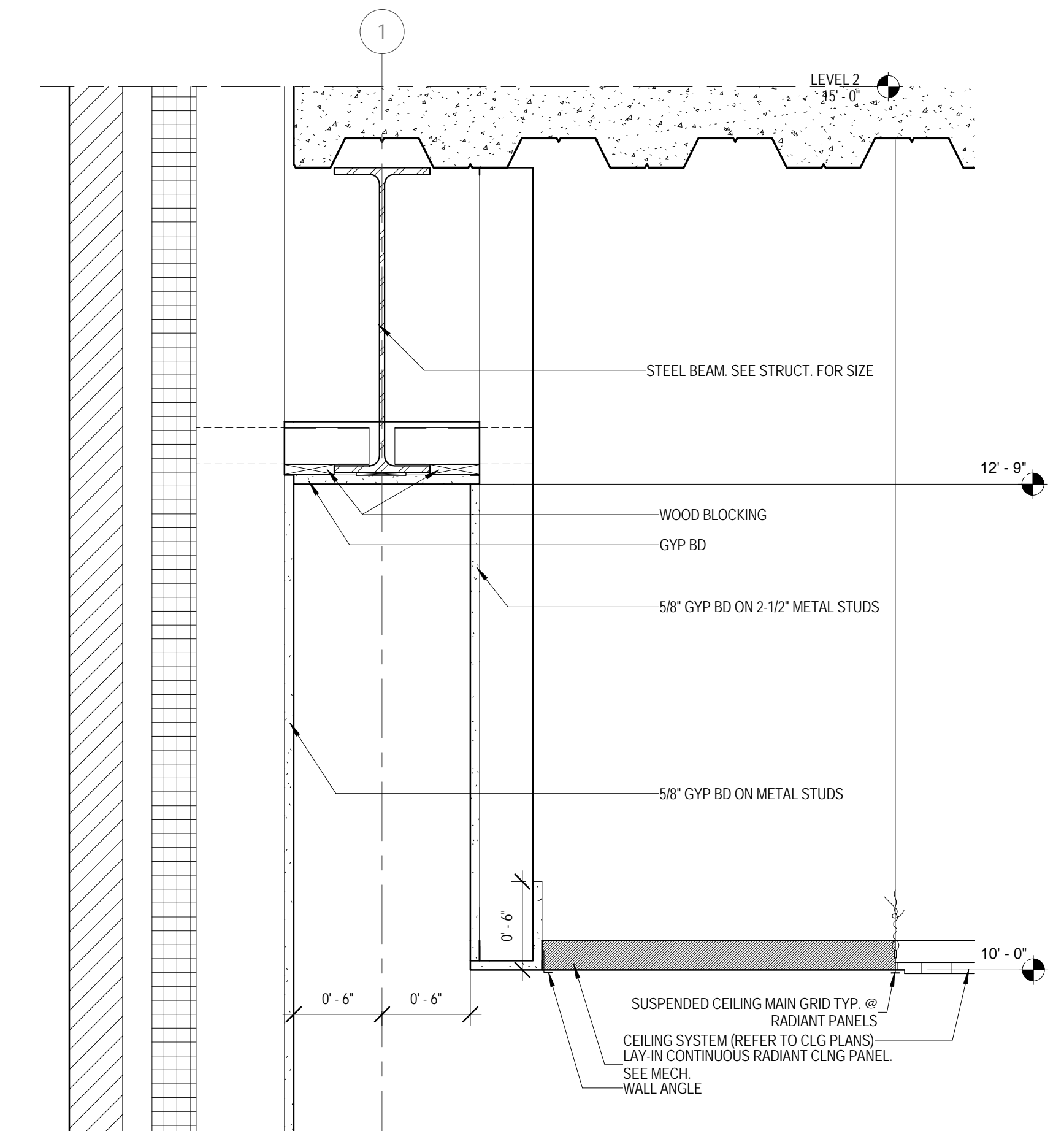
7 CEILING DETAIL
 1 1/2" = 1'-0"



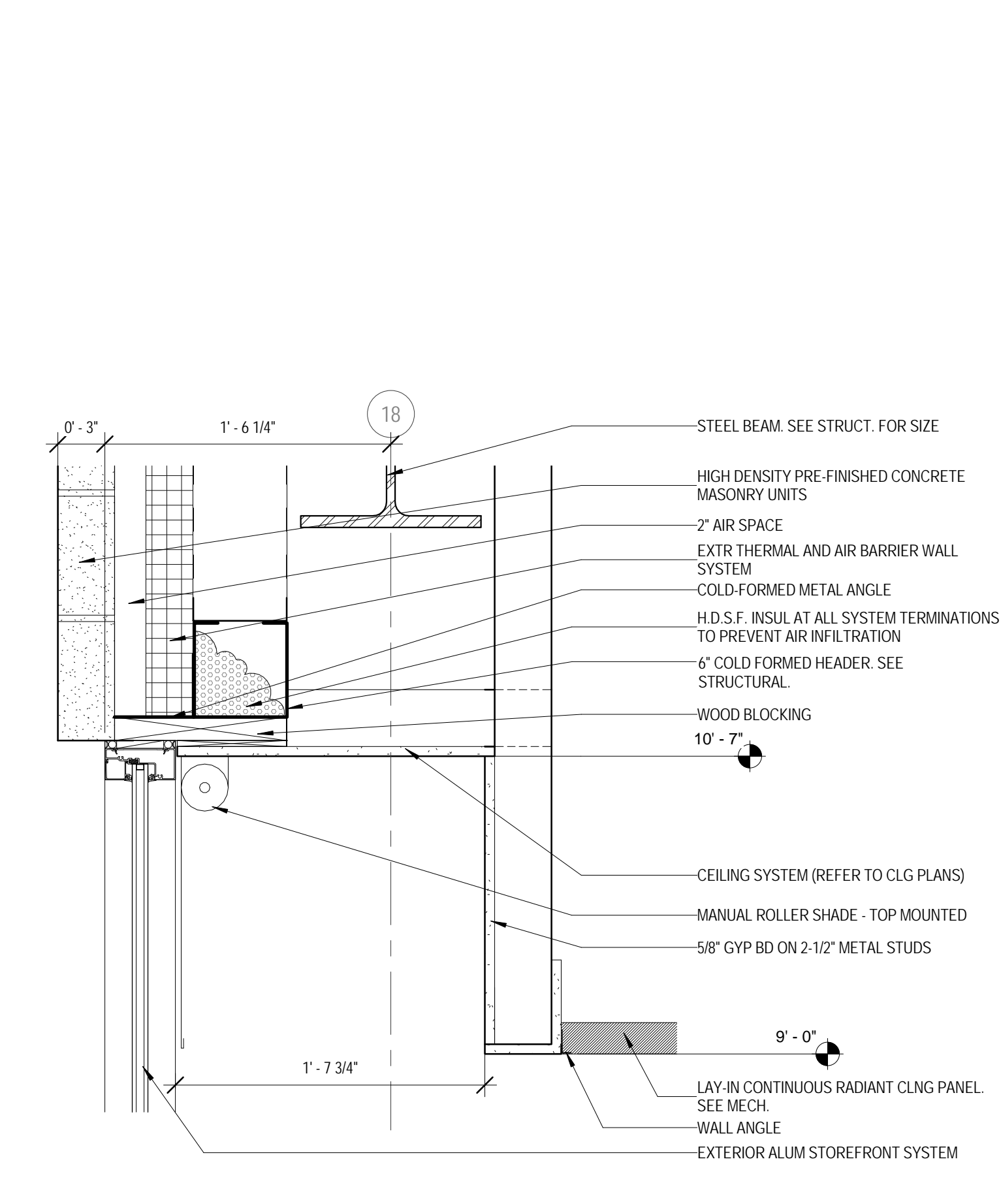
8 CEILING DETAIL
 1 1/2" = 1'-0"



9 CEILING DETAIL
 1 1/2" = 1'-0"



10 CEILING DETAIL
 1 1/2" = 1'-0"



11 CEILING DETAIL
 1 1/2" = 1'-0"



ARCHITECT OF RECORD
DEMONICA KEMPER ARCHITECTS
 125 N. HALSTED STREET, SUITE 301
 CHICAGO, IL 60661
 P: 312.496.0000

STRUCTURAL AND MEP/PF ENGINEERING
KJWW ENGINEERING CONSULTANTS
 1100 WARRENVILLE RD. SUITE
 400W NAPERVILLE, IL 60563
 P: 630.527.2320

FOOD SERVICE CONSULTANT
CINI LITTLE INTERNATIONAL, INC.
 200 E. HOWARD AVE. SUITE 212
 DES PLAINES, IL 60018
 P: 847.298.0088

CONSTRUCTION MANAGER
JOLIET JUNIOR COLLEGE
 1215 HOUBOLT RD.
 JOLIET, IL 60431
 P: 815.280.2212

**JOLIET JUNIOR COLLEGE
 ROMEOVILLE CAMPUS EXPANSION**
 1125 135th ST. ROMEOVILLE, IL 60446
 DKA PROJECT NO: 14-005

KEY PLAN:

SHEET STATUS: 9/21/15

**ISSUED FOR
 CONSTRUCTION**

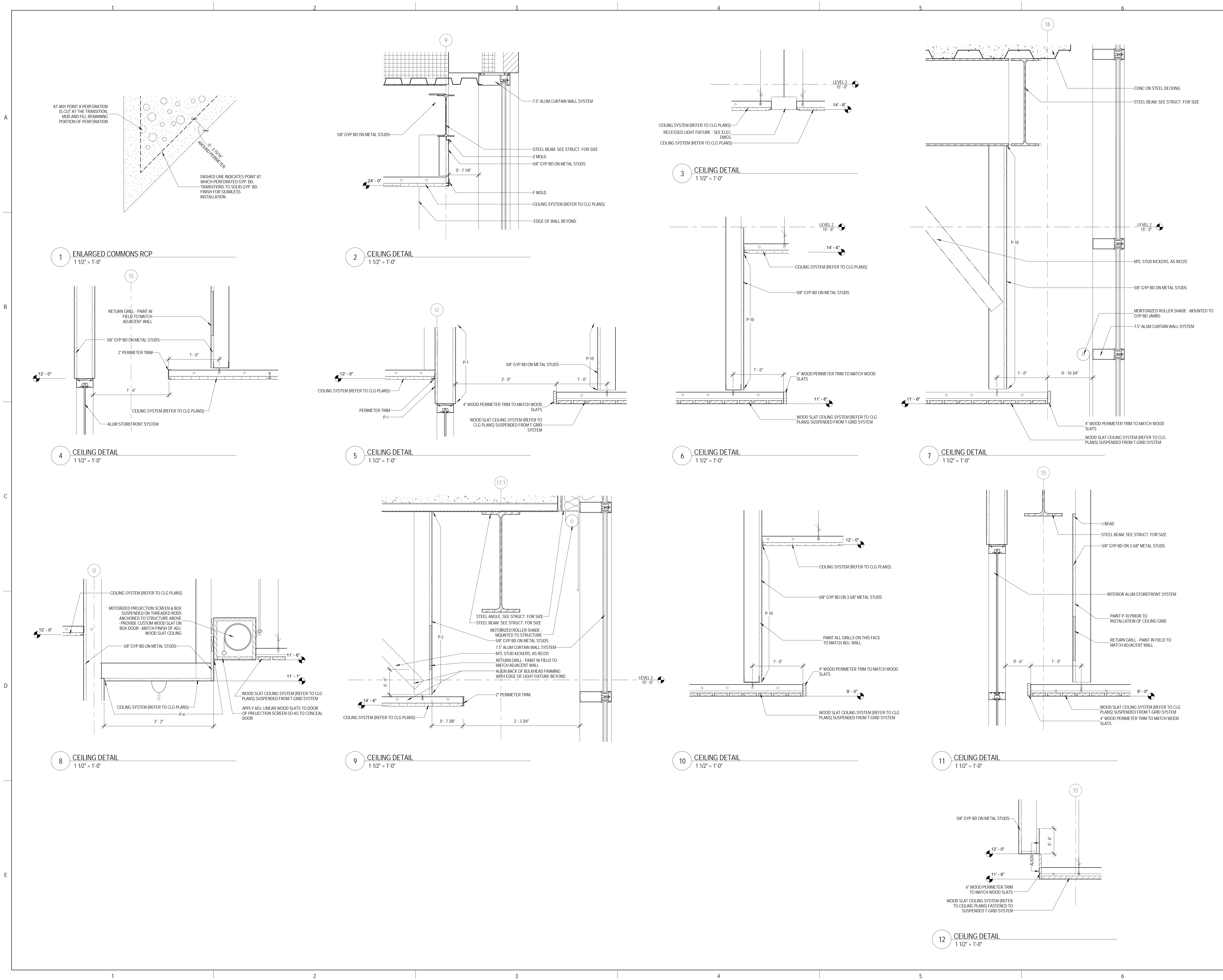
NO.	DESCRIPTION:	DATE:
1		

SHEET TITLE:
CEILING DETAILS

SHEET NUMBER:

A7.93

9/18/2015 9:35:45 AM



1 ENLARGED COMMONS RCP
 1 1/2" = 1'-0"

2 CEILING DETAIL
 1 1/2" = 1'-0"

3 CEILING DETAIL
 1 1/2" = 1'-0"

7 CEILING DETAIL
 1 1/2" = 1'-0"

4 CEILING DETAIL
 1 1/2" = 1'-0"

5 CEILING DETAIL
 1 1/2" = 1'-0"

6 CEILING DETAIL
 1 1/2" = 1'-0"

11 CEILING DETAIL
 1 1/2" = 1'-0"

8 CEILING DETAIL
 1 1/2" = 1'-0"

9 CEILING DETAIL
 1 1/2" = 1'-0"

10 CEILING DETAIL
 1 1/2" = 1'-0"

12 CEILING DETAIL
 1 1/2" = 1'-0"

**JOLIET JUNIOR COLLEGE
 ROMEOVILLE CAMPUS EXPANSION**
 1125 135th ST. ROMEOVILLE, IL 60446
 DKA PROJECT NO: 14-005

KEY PLAN:

SHEET STATUS: 9/21/15

**ISSUED FOR
 CONSTRUCTION**

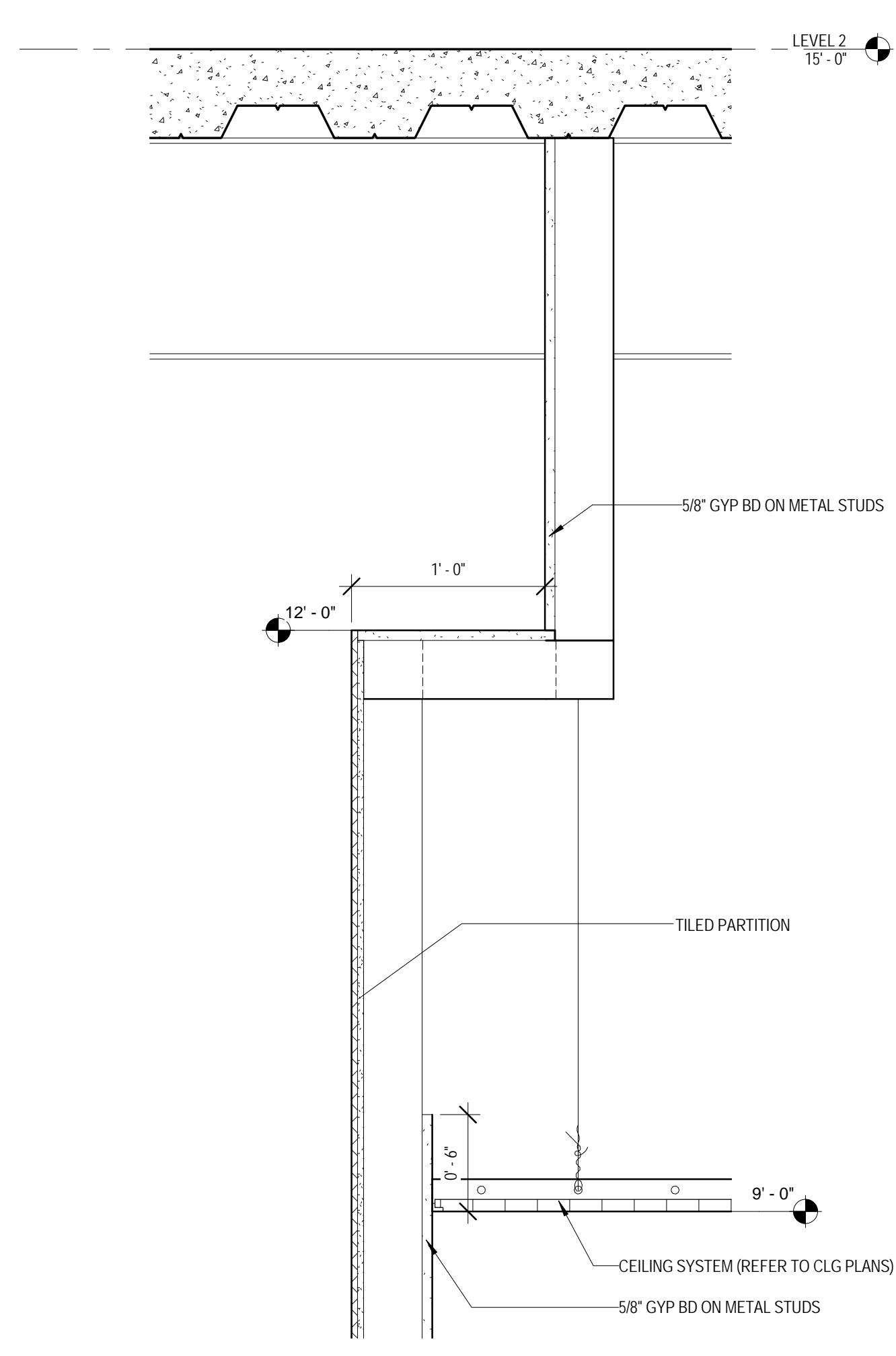
NO.	DESCRIPTION:	DATE:

SHEET TITLE:

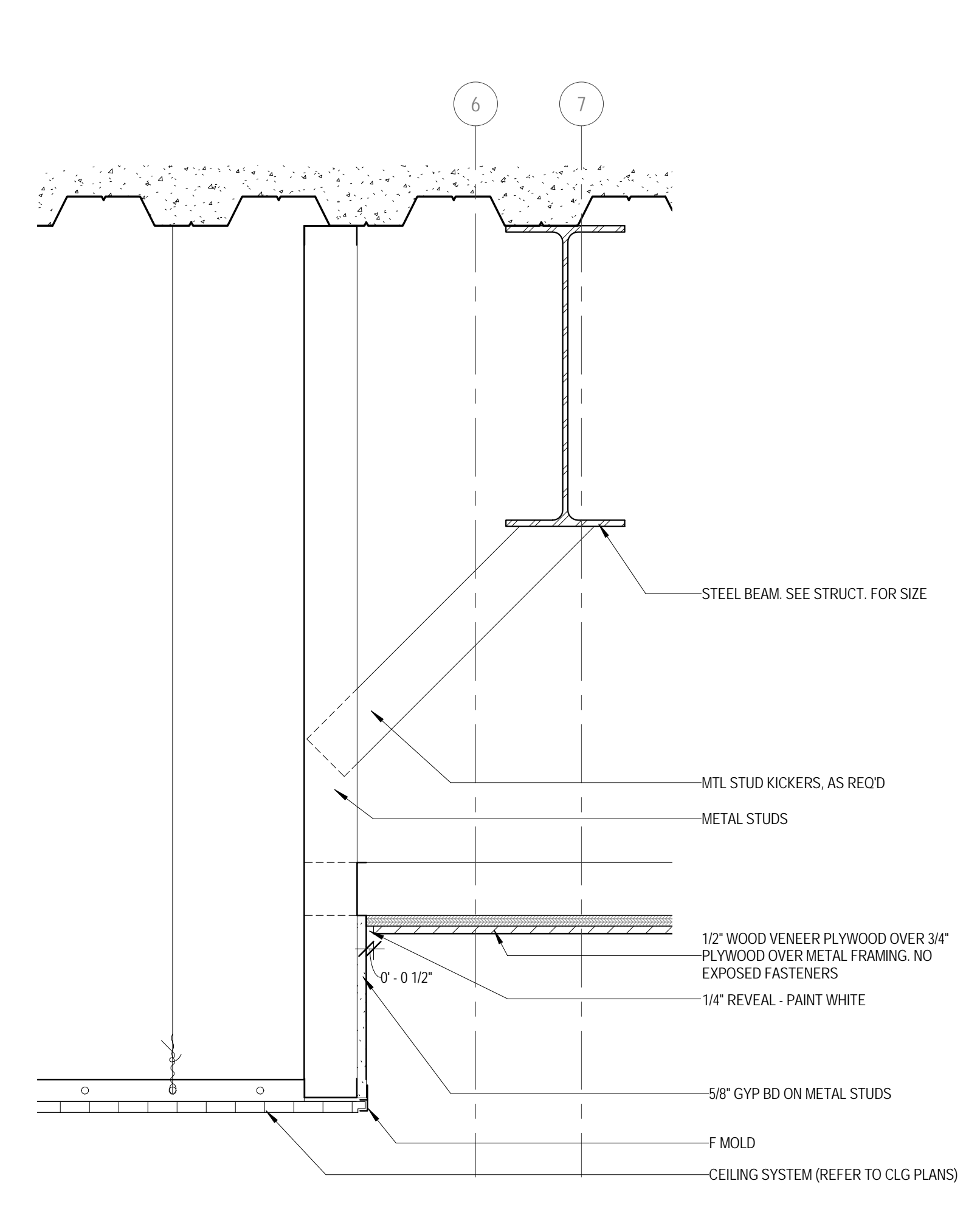
CEILING DETAILS

SHEET NUMBER:

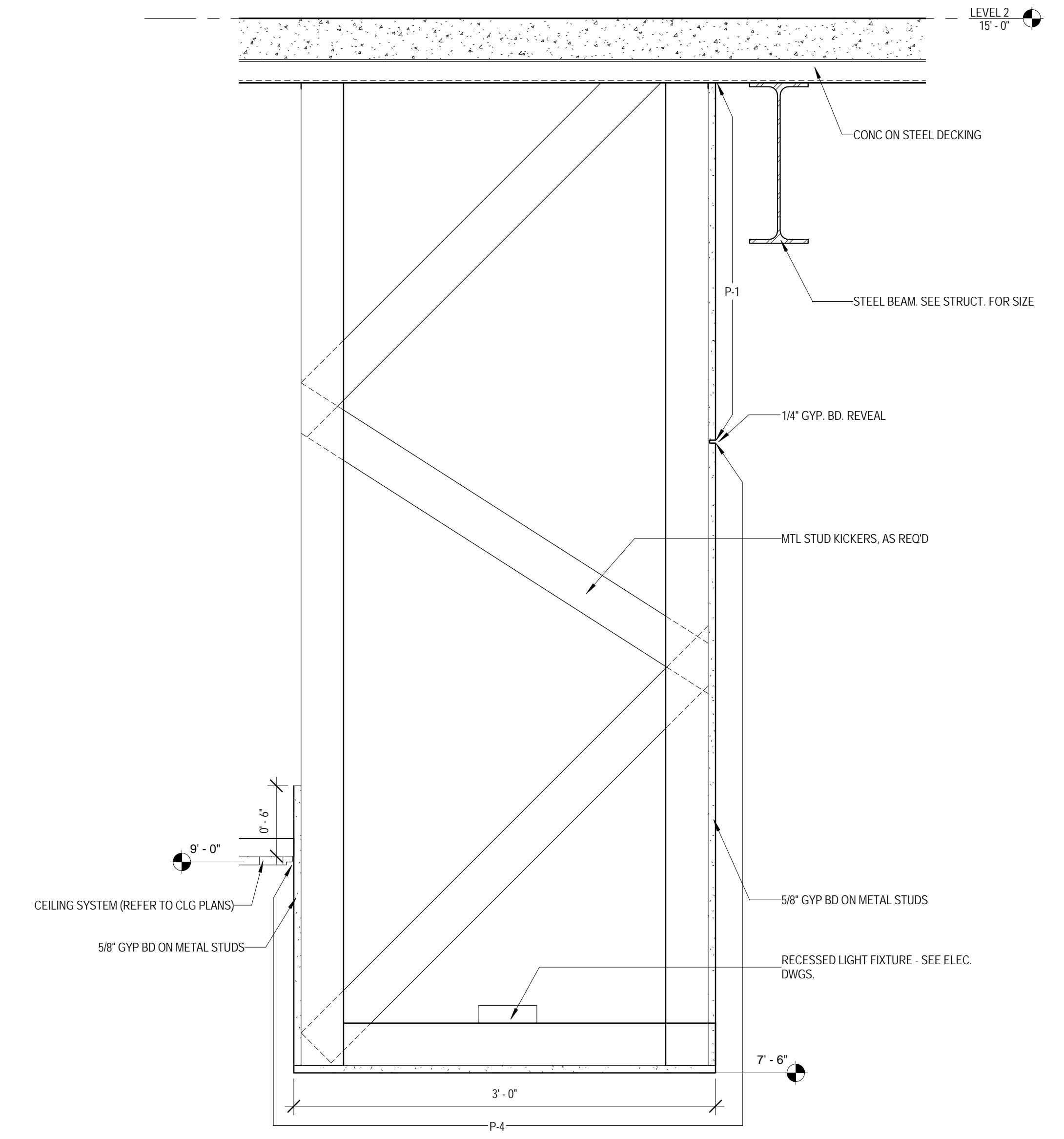
A7.94



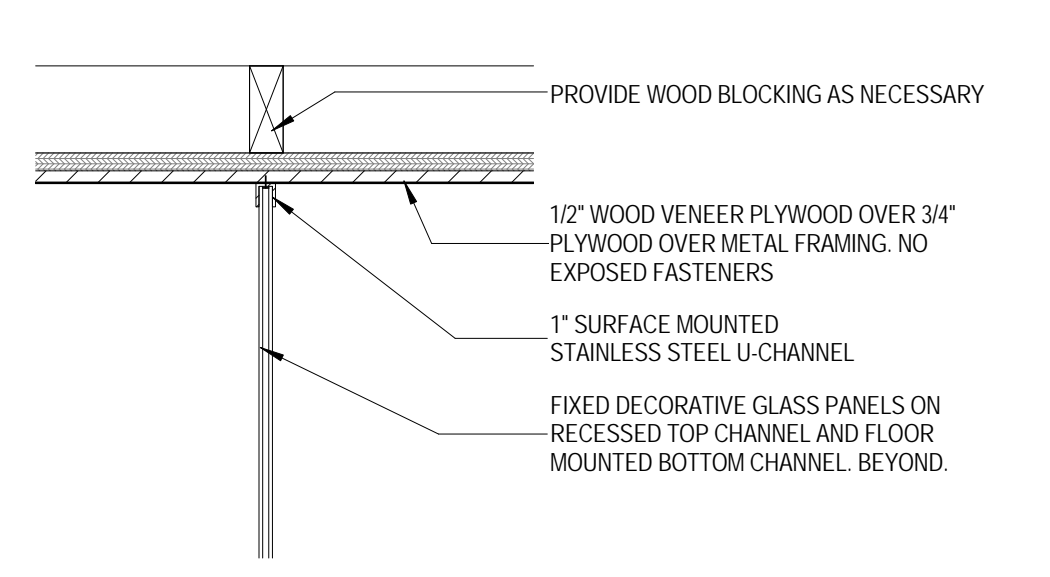
1 CEILING DETAIL
 1 1/2" = 1'-0"



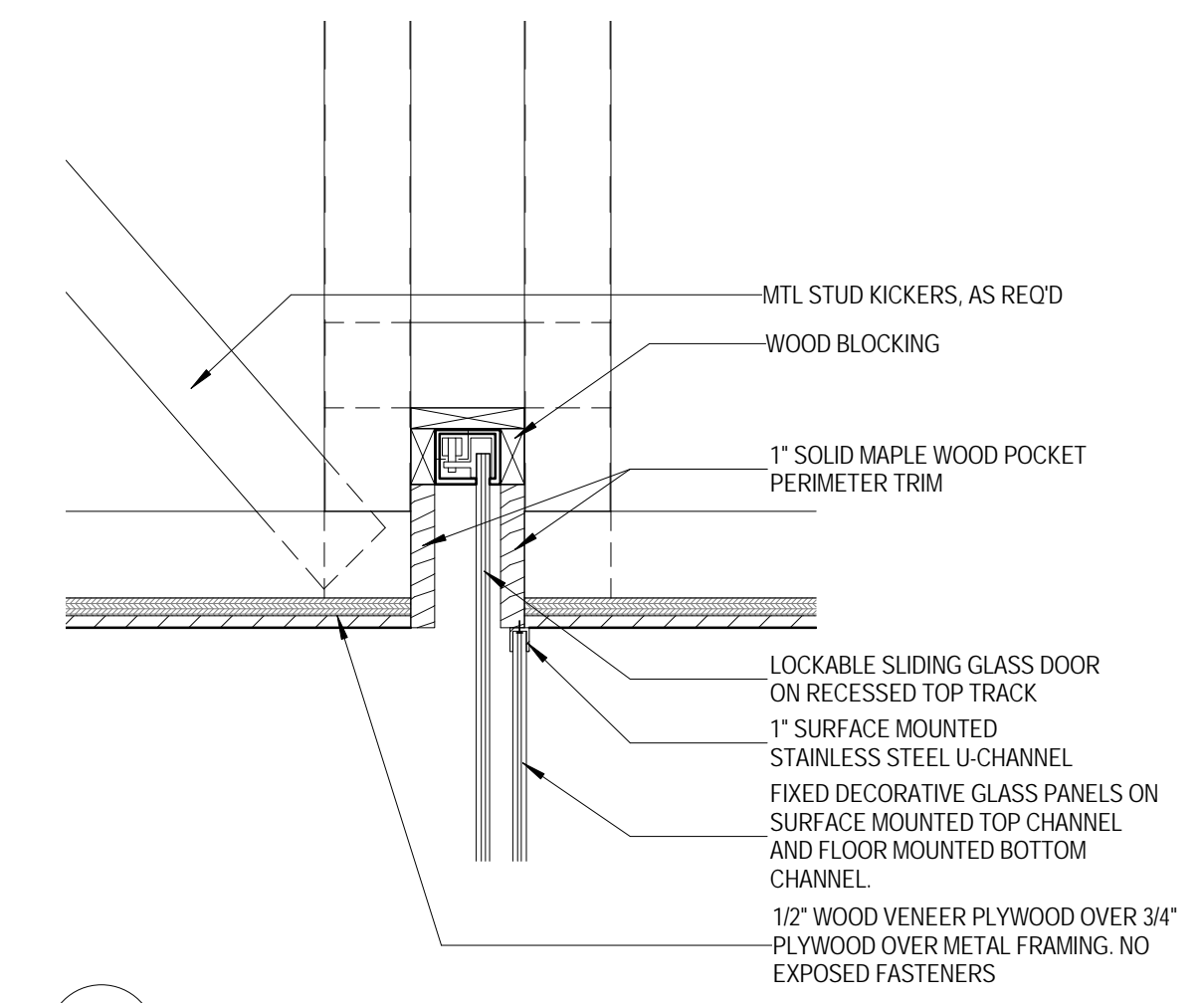
2 CEILING DETAIL
 1 1/2" = 1'-0"



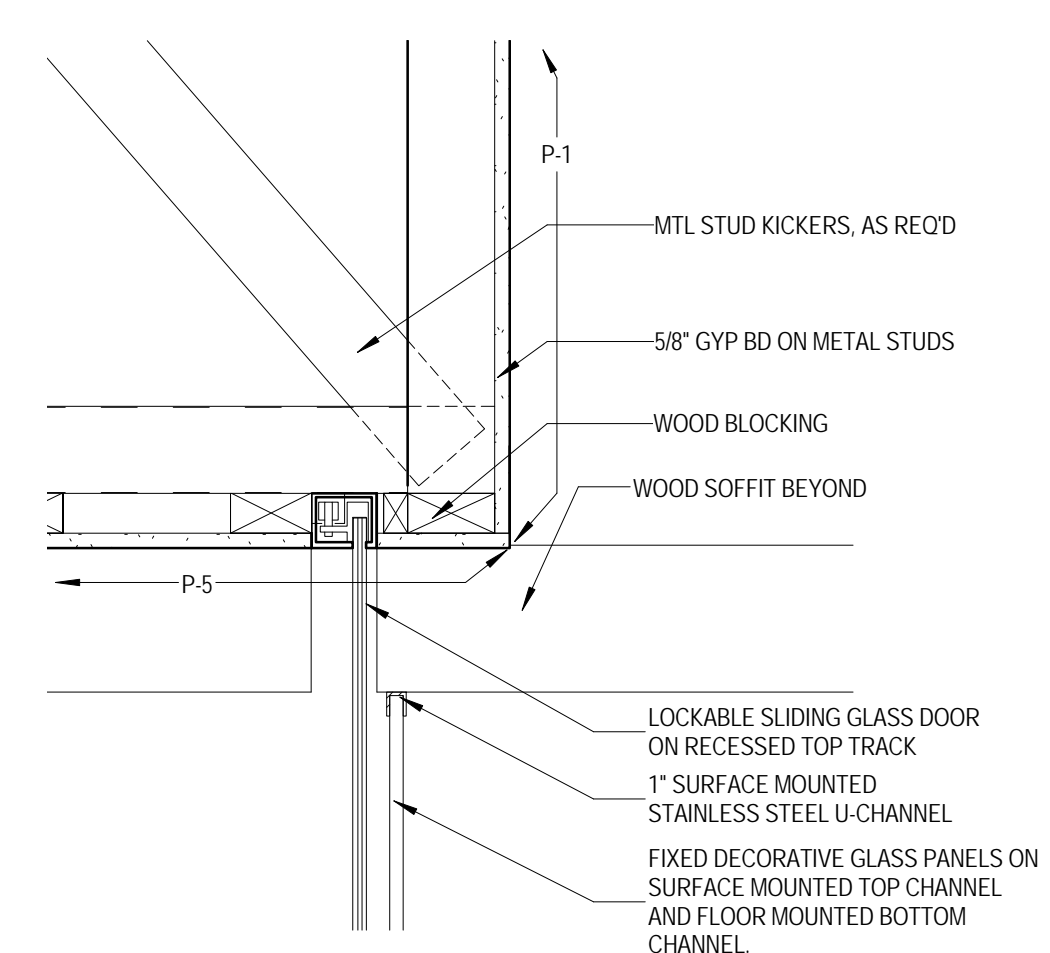
3 CEILING DETAIL
 1 1/2" = 1'-0"



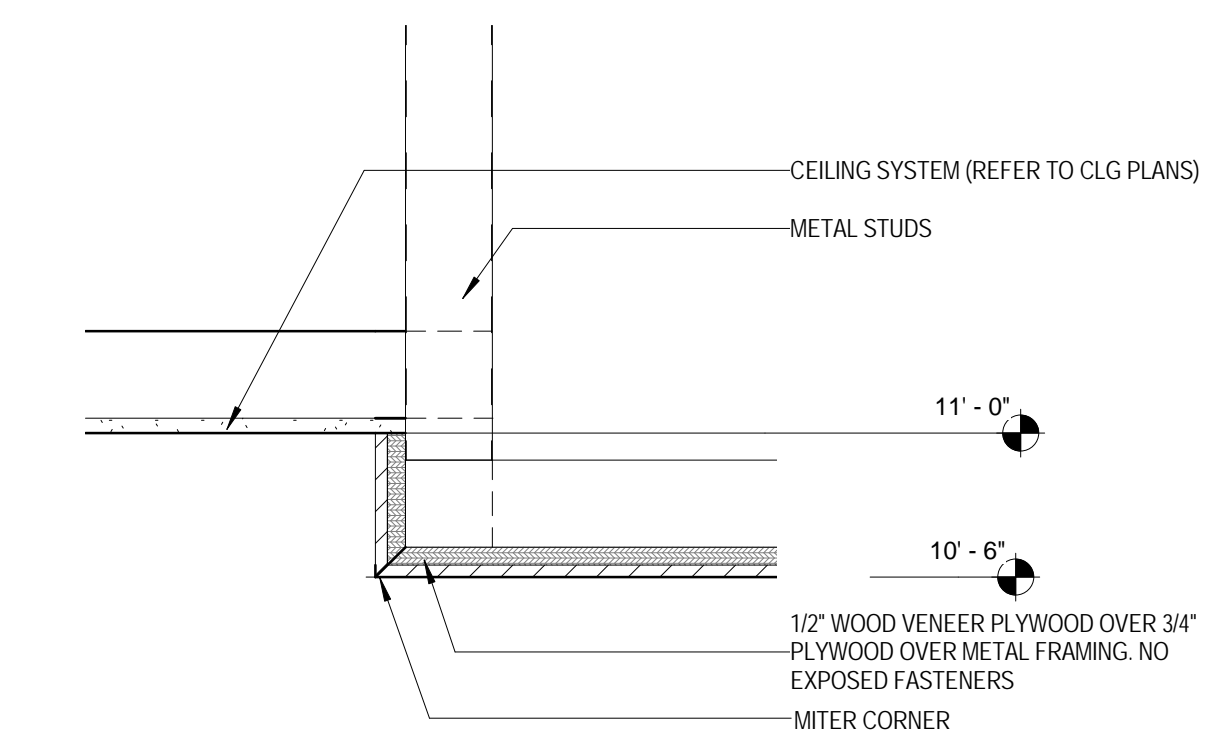
4 CEILING DETAIL
 1 1/2" = 1'-0"



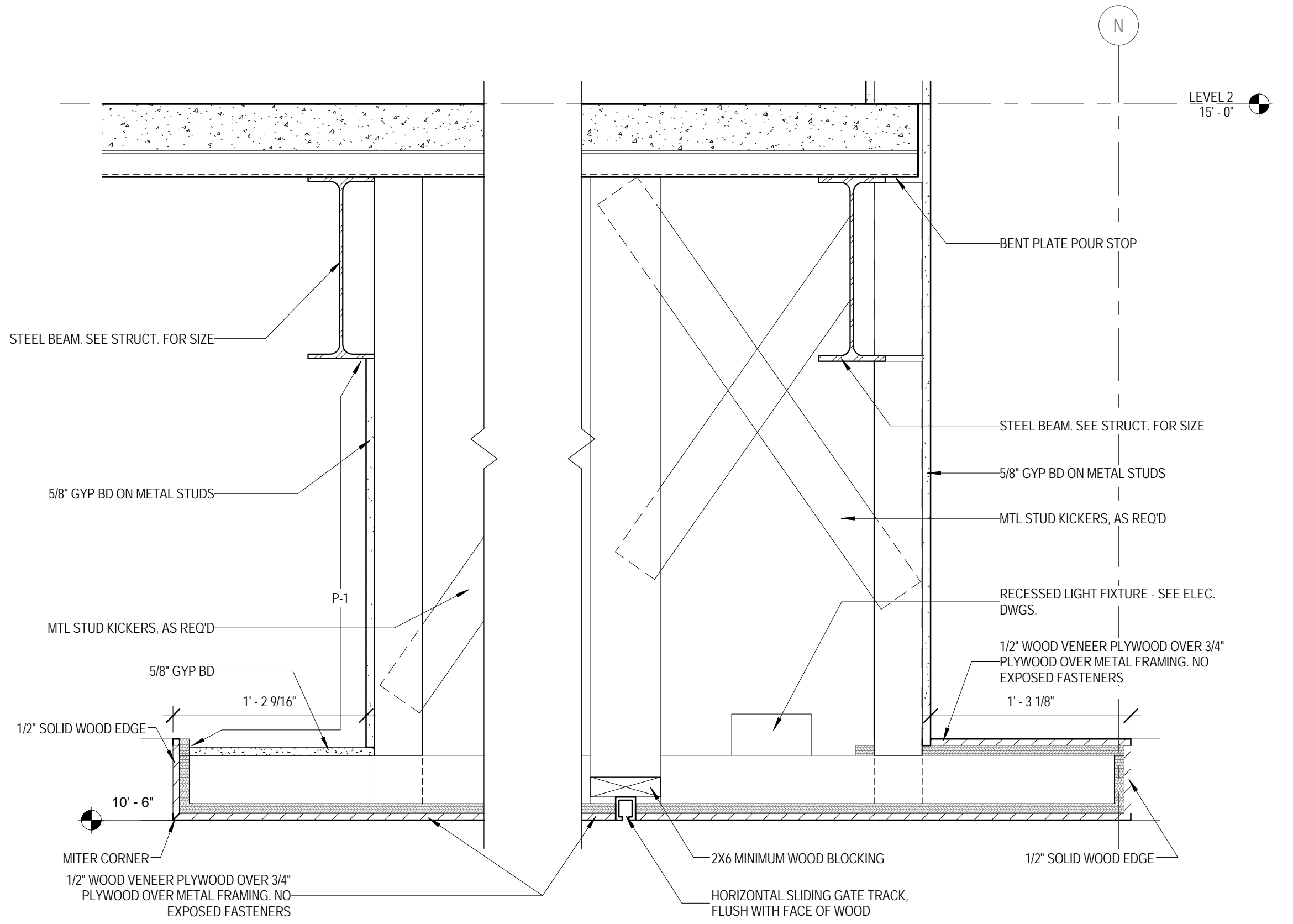
5 CEILING DETAIL
 1 1/2" = 1'-0"



6 CEILING DETAIL
 1 1/2" = 1'-0"



7 CEILING DETAIL
 1 1/2" = 1'-0"



8 CEILING DETAIL
 1 1/2" = 1'-0"



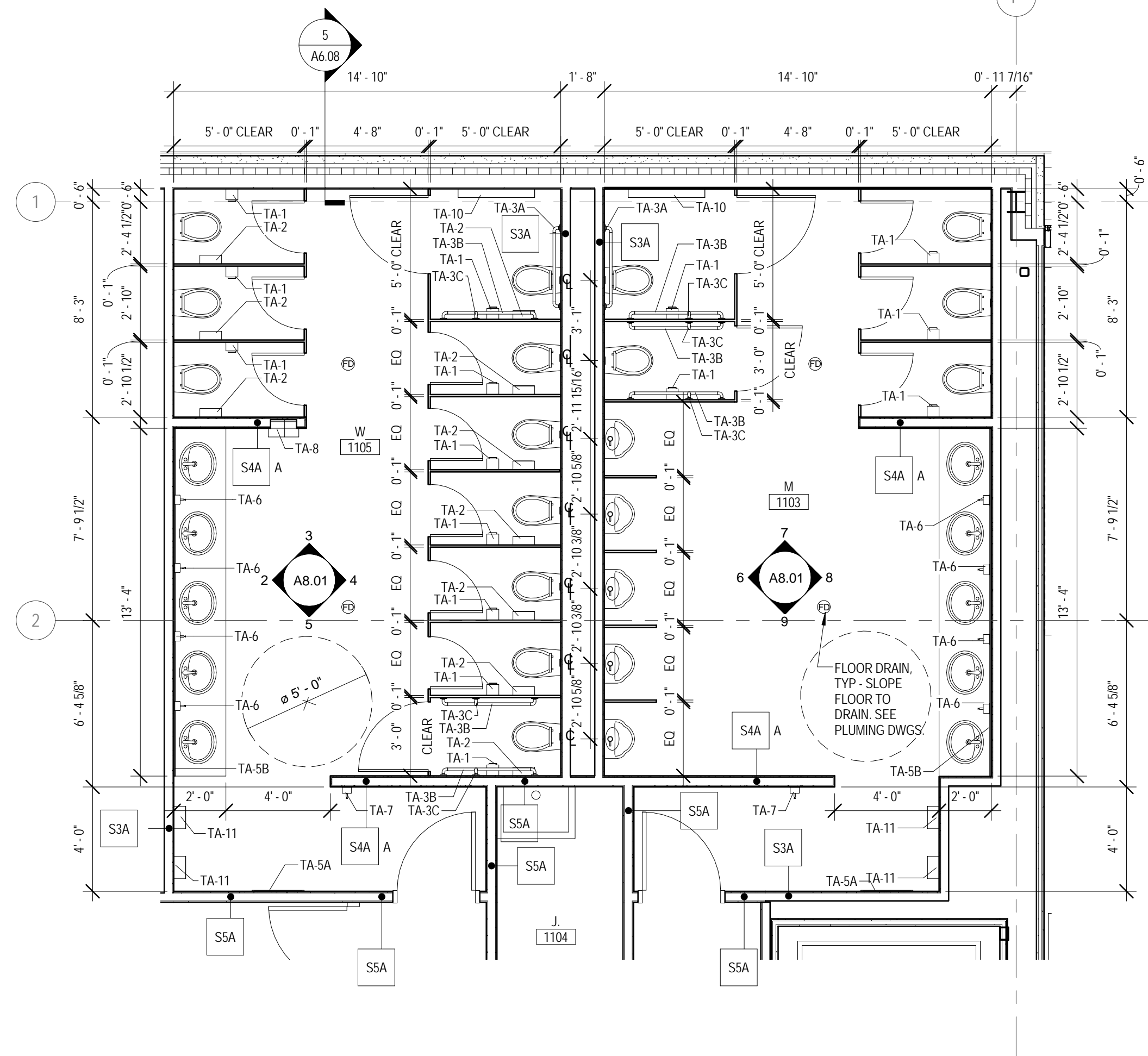
ARCHITECT OF RECORD
 DEMONICA KEMPER ARCHITECTS
 125 N. HALSTED STREET, SUITE 301
 CHICAGO, IL 60661
 P: 312.496.0000

STRUCTURAL AND MEP/FP ENGINEERING
 KJWW ENGINEERING CONSULTANTS
 1100 WARRENVILLE RD. SUITE
 400W NAPERVILLE, IL 60563
 P: 630.527.2320

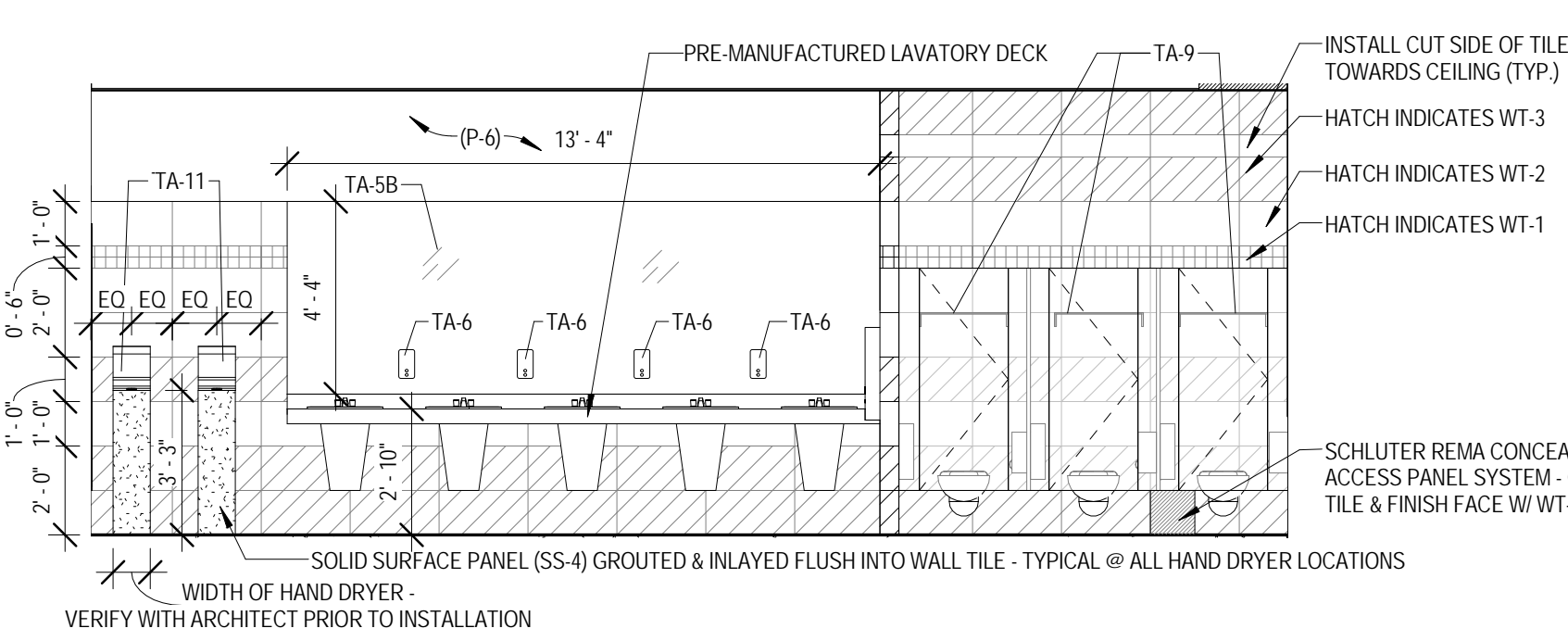
FOOD SERVICE CONSULTANT
 CINI LITTLE INTERNATIONAL, INC.
 200 E. HOWARD AVE. SUITE 212
 DES PLAINES, IL 60018
 P: 847.298.0088

CONSTRUCTION MANAGER
 JOLIET JUNIOR COLLEGE
 1215 HOUBOLT RD.
 JOLIET, IL 60431
 P: 815.280.2212

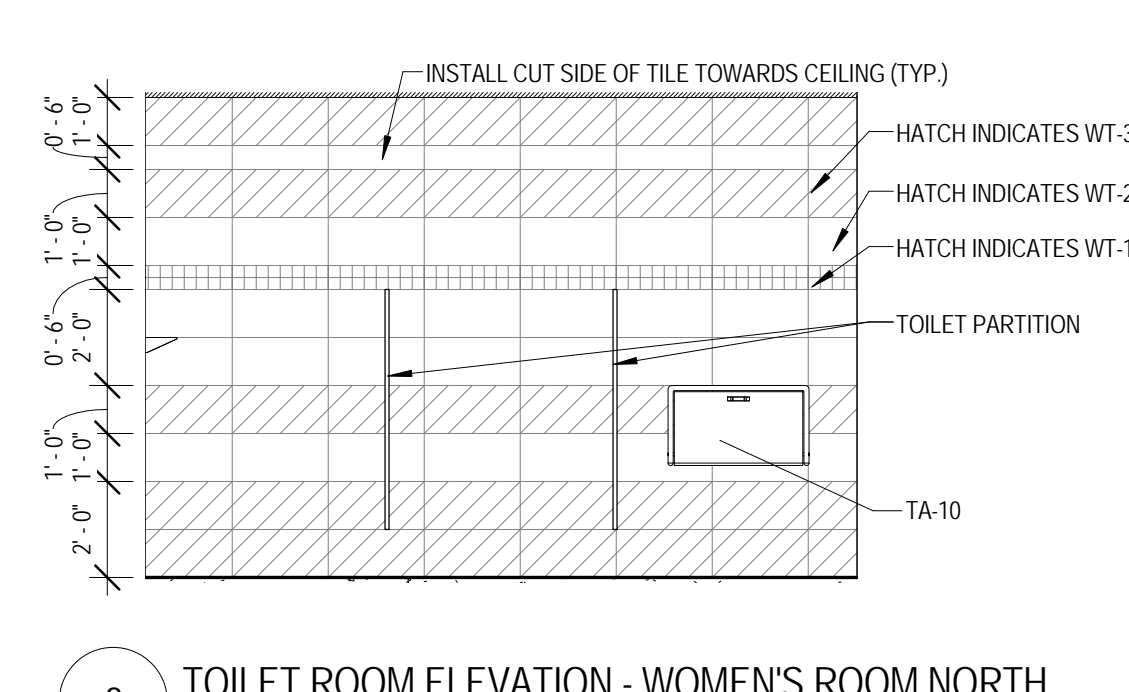
**JOLIET JUNIOR COLLEGE
 ROMEOVILLE CAMPUS EXPANSION**
 1125 135th ST. ROMEOVILLE, IL 60446
 DKA PROJECT NO: 14-005



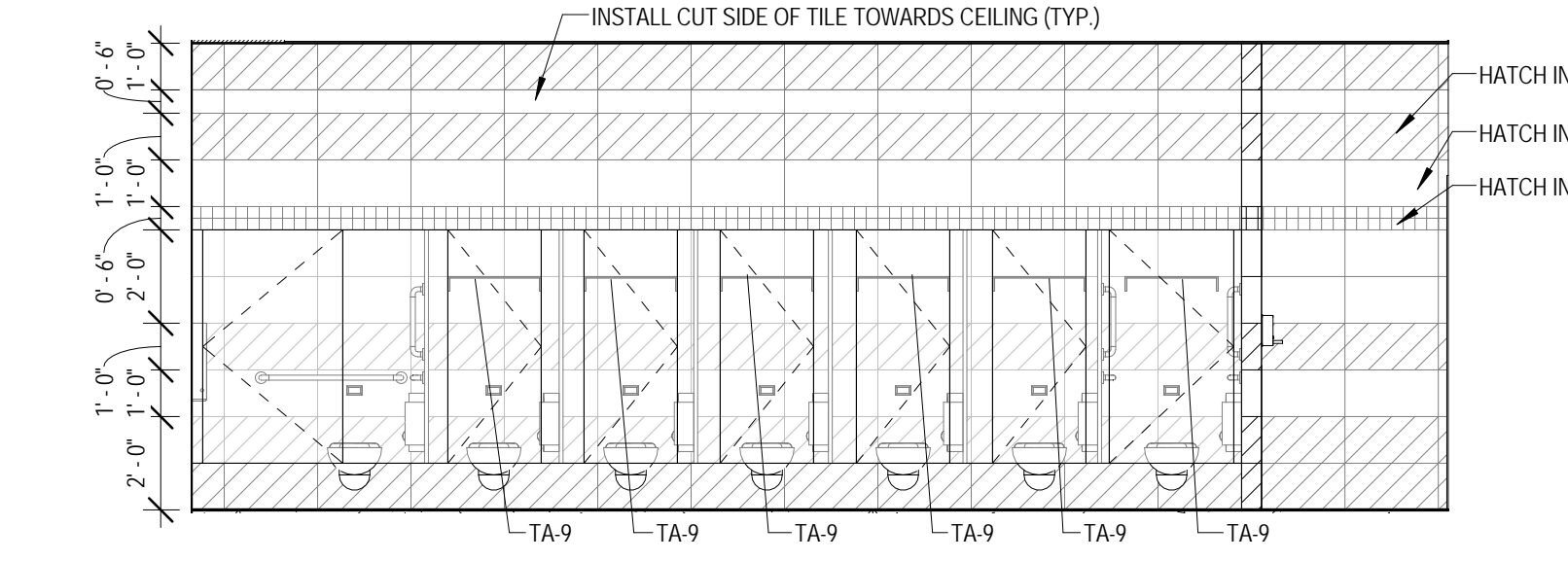
1 TOILET ROOM PLAN - LEVEL 1
 1/4" = 1'-0"



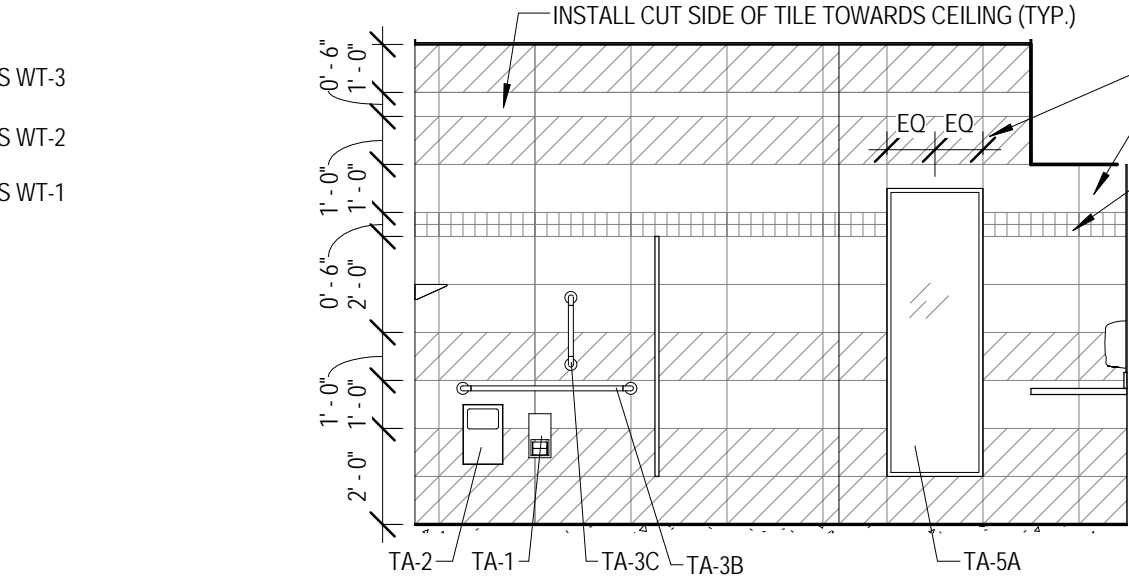
2 TOILET ROOM ELEVATION - WOMEN'S ROOM WEST
 1/4" = 1'-0"



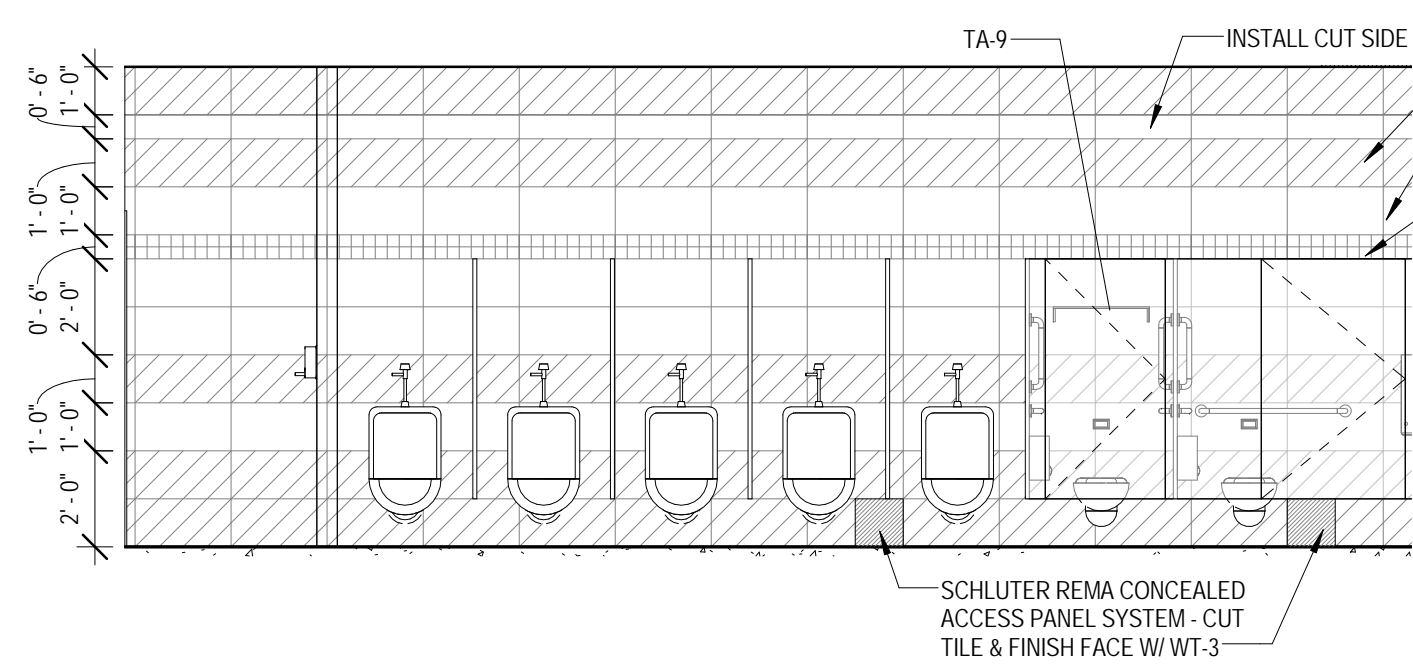
3 TOILET ROOM ELEVATION - WOMEN'S ROOM NORTH
 1/4" = 1'-0"



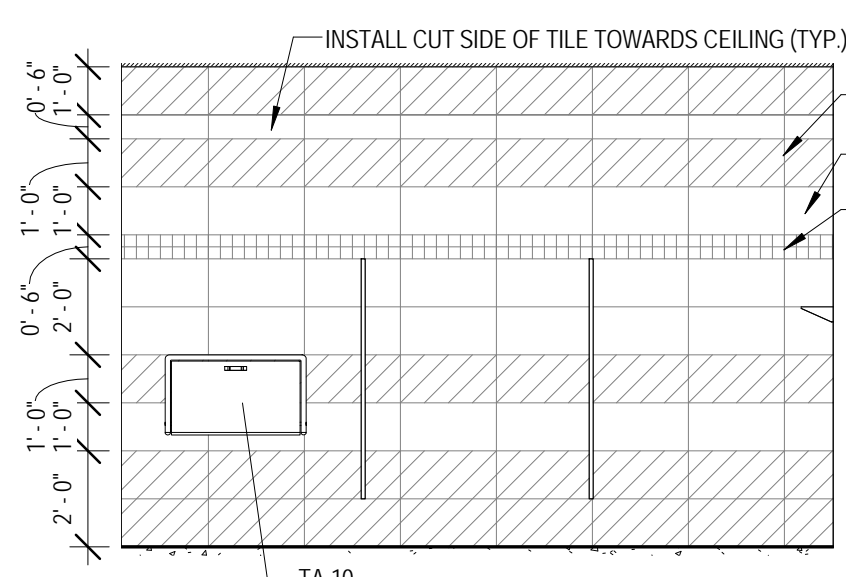
4 TOILET ROOM ELEVATION - WOMEN'S ROOM EAST
 1/4" = 1'-0"



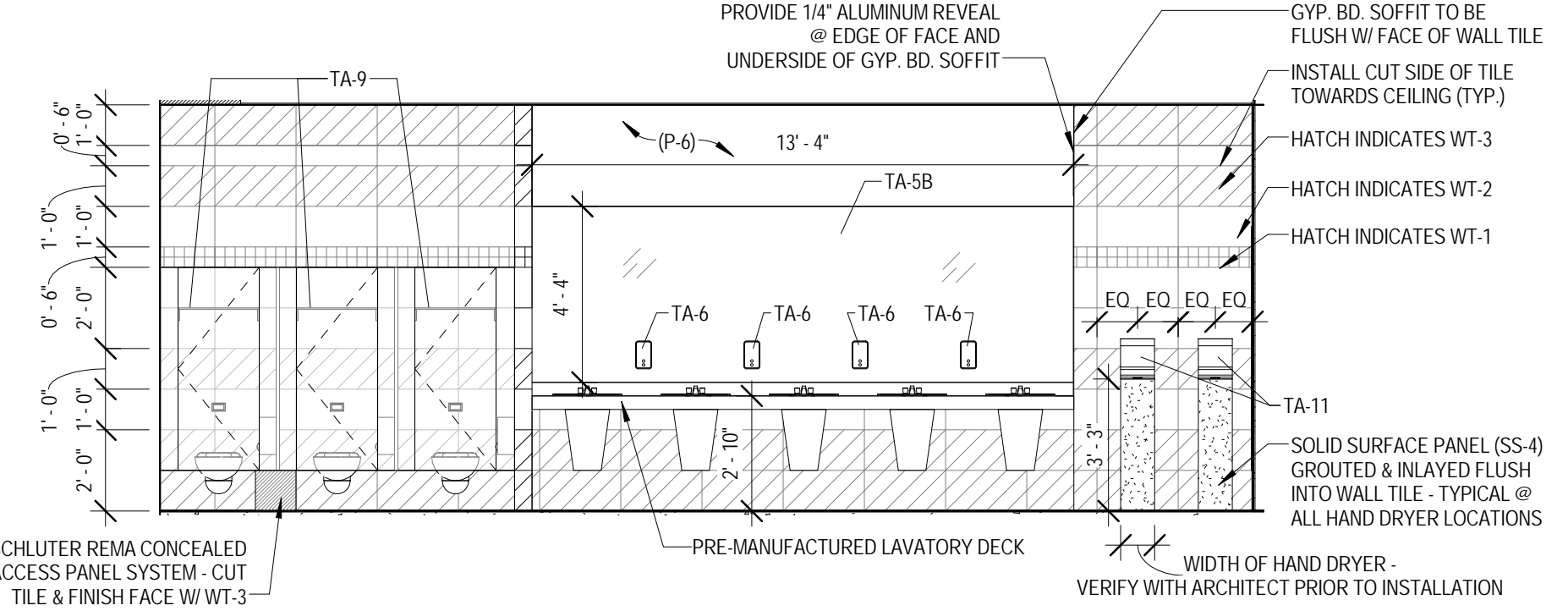
5 TOILET ROOM ELEVATION - WOMEN'S ROOM SOUTH
 1/4" = 1'-0"



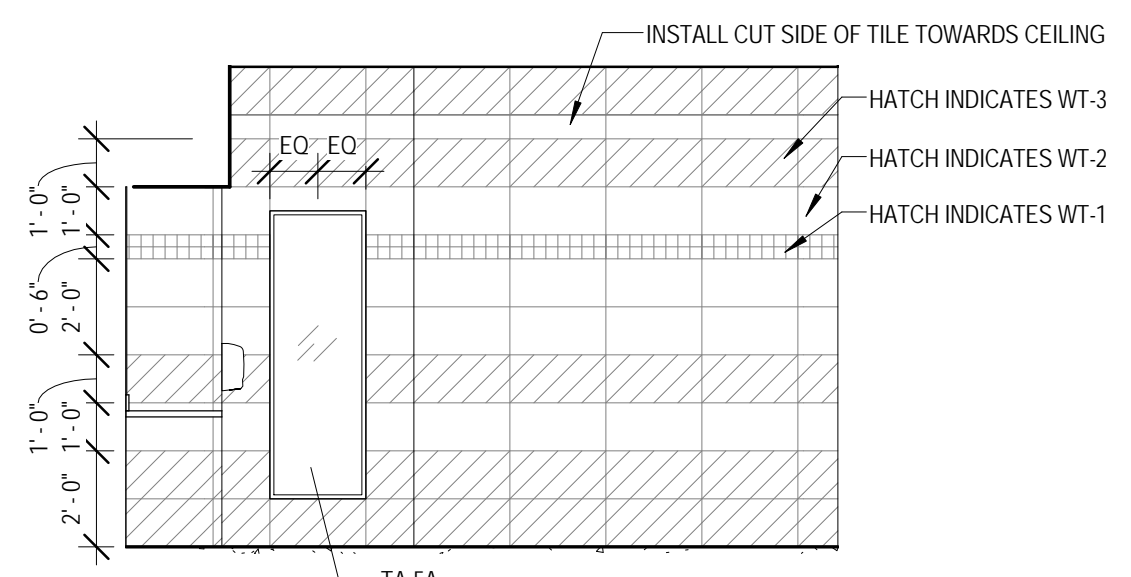
6 TOILET ROOM ELEVATION - MEN'S ROOM WEST
 1/4" = 1'-0"



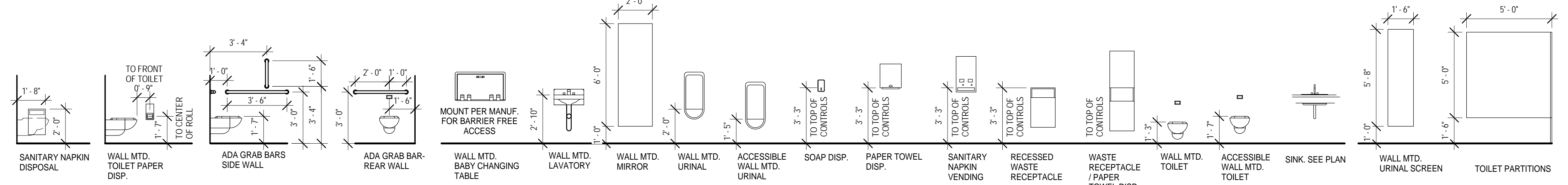
7 TOILET ROOM ELEVATION - MEN'S ROOM NORTH
 1/4" = 1'-0"



8 TOILET ROOM ELEVATION - MEN'S ROOM EAST
 1/4" = 1'-0"



9 TOILET ROOM ELEVATION - MEN'S ROOM SOUTH
 1/4" = 1'-0"



10 BATHROOM MOUNTING HEIGHT KEY
 1/4" = 1'-0"

TOILET ACCESSORIES LEGEND	
TA-1	TOILET PAPER DISPENSER (OFC)
TA-2	SANITARY NAPKIN DISPOSAL
TA-3A	36" GRAB BAR
TA-3B	42" GRAB BAR
TA-3C	18" GRAB BAR
TA-5A	WALL MOUNTED MIRROR
TA-5B	CONTINUOUS FRAMELESS WALL MOUNTED MIRROR
TA-6	WALL MOUNTED SOAP DISPENSER (OFC)
TA-7	WALL MOUNTED HAND SANITIZER DISPENSER (OFC)
TA-8	WALL MOUNTED SANITARY NAPKIN DISPENSER (OFC)
TA-9	WALL MOUNTED STAINLESS STEEL SHELF
TA-10	WALL MOUNTED BABY CHANGING STATION
TA-11	WALL MOUNTED AUTOMATIC HAND DRYER

KEY PLAN:

SHEET STATUS: 9/21/15
**ISSUED FOR
 CONSTRUCTION**

NO.	DESCRIPTION:	DATE:

SHEET TITLE:
**ENLARGED TOILET
 ROOM PLANS AND
 ELEVATIONS**

SHEET NUMBER:
A8.01



ARCHITECT OF RECORD
DEMONICA KEMPER ARCHITECTS
 125 N. HALSTED STREET, SUITE 301
 CHICAGO, IL 60661
 P: 312.496.0000

STRUCTURAL AND MEP/PFP ENGINEERING
KJWW ENGINEERING CONSULTANTS
 1100 WARRENVILLE RD. SUITE
 400W NAPERVILLE, IL 60563
 P: 630.527.2320

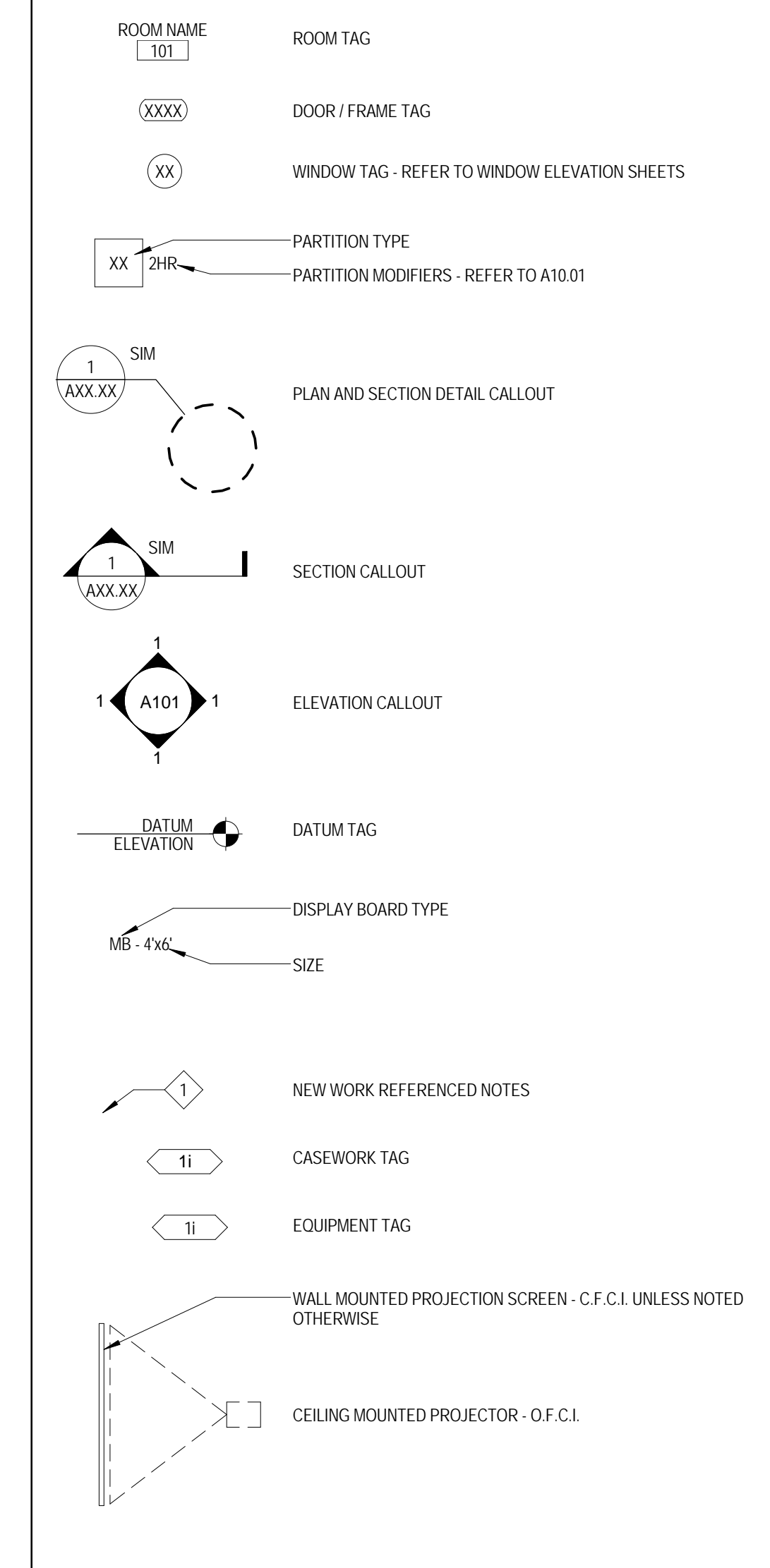
FOOD SERVICE CONSULTANT
CINI LITTLE INTERNATIONAL, INC.
 200 E. HOWARD AVE. SUITE 212
 DES PLAINES, IL 60018
 P: 847.298.0088

CONSTRUCTION MANAGER
JOLIET JUNIOR COLLEGE
 1215 HOUBOLT RD.
 JOLIET, IL 60431
 P: 815.280.2212

JOLIET JUNIOR COLLEGE
ROMEORVILLE CAMPUS EXPANSION
 1125 135th ST. ROMEORVILLE, IL 60446
 DKA PROJECT NO: 14-005

FLOOR PLAN & SECTION SYMBOLS LEGEND:

NOTE: REFER TO M.E.P.F.P. DRAWINGS FOR ADDITIONAL INFORMATION ON MECHANICAL, ELECTRICAL, AND FIRE PROTECTION SYSTEMS



FLOOR PLAN GENERAL NOTES:

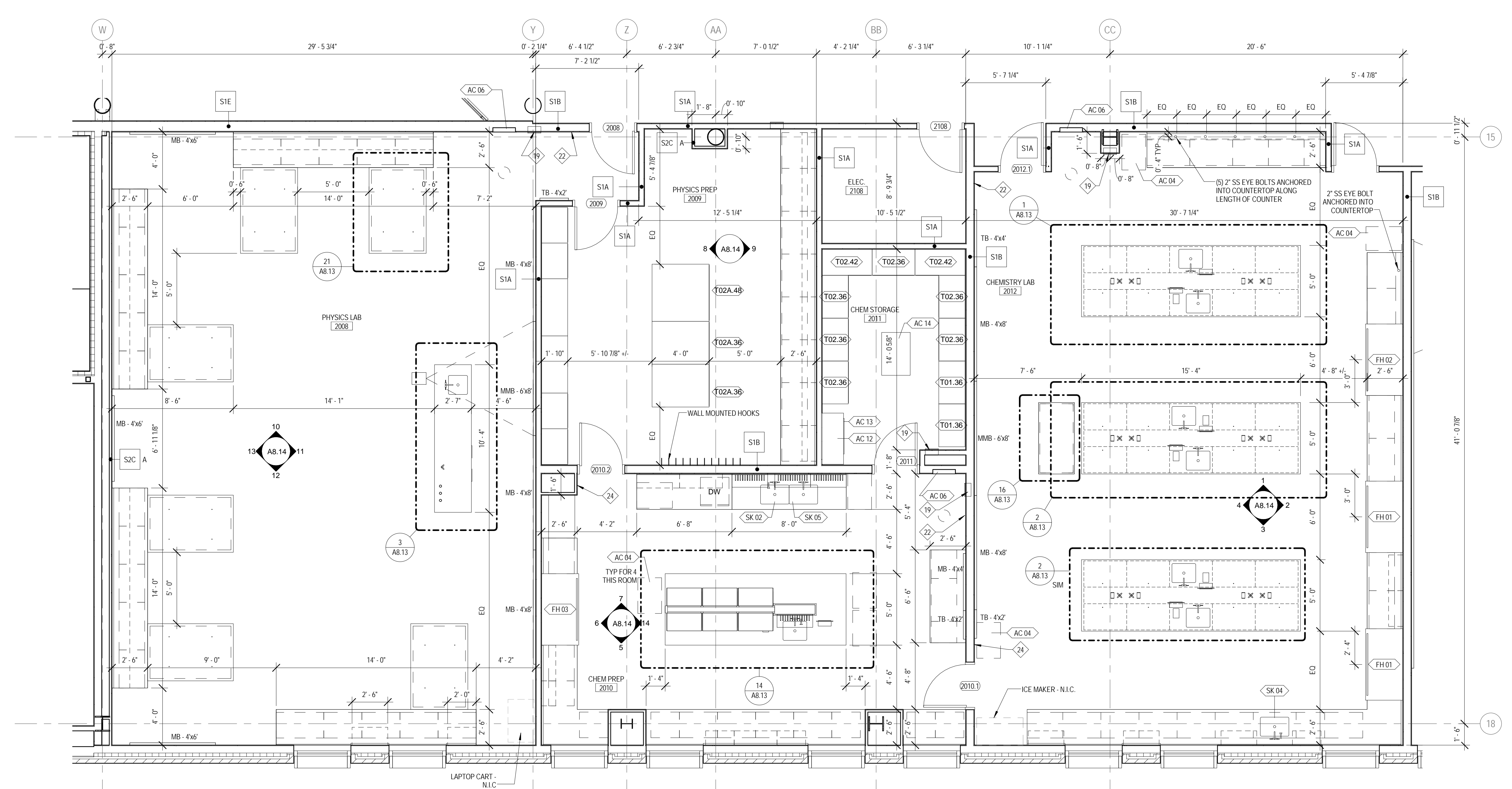
1. FINISH FLOOR ELEVATION OF 0'-0" - 671.8' USGS
2. ELEVATIONS SHOWN ON ARCHITECTURAL DRAWINGS ARE RELATIVE TO FIRST FLOOR FINISH ELEVATION OF 0'-0". REFER TO CIVIL DRAWINGS FOR COORDINATING USGS ELEVATION.
3. REFER TO CODE PLANS ON SHEET AD 10 FOR FIRE RATINGS AND AREA SEPARATION LOCATIONS FOR WALLS, ENCLOSURES, OPENINGS, ETC.
4. DO NOT SCALE DRAWINGS.
5. NOTIFY ARCHITECT OF ANY DISCREPANCIES IN THE DOCUMENTS PRIOR TO WORK COMMENCING.
6. NOTES ON DRAWINGS SHALL APPLY TO ALL SIMILAR CONDITIONS WHETHER THEY ARE REPEATED OR NOT.
7. THE CONTRACTOR SHALL BE RESPONSIBLE FOR THE VERIFICATION OF EXISTING CONDITIONS AND IN-FIELD DIMENSIONS PRIOR TO COMMENCING WORK.
8. ALL INTERIOR DIMENSIONS ARE TO FACE OF FINISHED WALL UNLESS NOTED OTHERWISE.
9. PROVIDE ACCESS PANELS AT LOCATIONS INDICATED AND AS REQUIRED FOR ACCESS TO EQUIPMENT AND DEVICES INCLUDING, BUT NOT LIMITED TO, MECHANICAL, PLUMBING AND ELECTRICAL WORK. PAINT ACCESS PANELS TO MATCH ADJACENT WALL OR CEILING FINISH.
10. REFER TO A101 FOR PARTITION SCHEDULE. ALL INTERIOR PARTITIONS SHALL BE TYPE S1A UNLESS NOTED OTHERWISE. ALL CYP BD COLUMN ENCLOSURES SHALL BE TYPE S2C UNLESS NOTED OTHERWISE.
11. REFER TO EXTERIOR ELEVATIONS, SECTIONS AND DETAILS FOR CONSTRUCTION OF EXTERIOR WALLS.
12. PROVIDE IN-WALL BLOCKING FOR ALL WALL MOUNTED EQUIPMENT NOTED THROUGHOUT DRAWINGS.
13. CASEWORK AND EQUIPMENT MAY BE SHOWN AS HALFTONE ON DIMENSION PLANS FOR CLARITY.

FLOOR PLAN REFERENCED NOTES:

1. GLASS GUARDRAIL SYSTEM. REFER TO DETAIL FOR MORE INFORMATION.
2. CYP BD COLUMN ENCLOSURE - PARTITIONS TYPE S2C TYP. REFER TO DIMENSION PLANS FOR OUTSIDE DIMENSIONS.
3. HIGH DENSITY SHELVING SYSTEM. COORDINATE RECESS IN SLAB FOR SUPPORT RAILS. REFER TO STRUCTURAL DRAWINGS.
4. SLIDING GLASS BARRIER DOOR SYSTEM. REFER TO INTERIOR ELEVATIONS FOR MORE INFORMATION.
5. FOOD SERVICE EQUIPMENT. REFER TO FOOD SERVICE DRAWINGS.
6. ALL WALLS THIS ROOM ARE FACED WITH PLYWOOD. REFER TO TECHNOLOGY DWGS FOR MORE INFORMATION.
7. RECESSED GUN CABINET
8. VENDING MACHINES, N.I.C.
9. PLASTIC LAMINATE, 3-HIGH LOCKERS
10. FLAT PANEL MONITOR - O.F.C.I. REFER TO INTERIOR ELEVATIONS FOR LOCATIONS. IF WALL IS NOT ELEVATED, CENTER MONITOR ON WALL AND MOUNT 12" X 12" F.F.
11. RECESSED CABINET UNIT HEATER. REFER TO MECHANICAL DRAWINGS.
12. PROVIDE BLOCKING IN WALL FOR OWNER FURNISHED, OWNER INSTALLED EVAC CHAIR. COORDINATE EXTENTS AND LOCATION WITH ARCHITECT.
13. LEVEL 5 DRYWALL FINISH THIS WALL
14. SECURITY GATE, TRACK ABOVE
15. FIRE ALARM ANNUNCIATOR PANEL
16. CODE BLUE STATION - SEE TECHNOLOGY DWGS
17. FM TUBE RADIATOR BELOW. REFER TO MECHANICAL DRAWINGS.
18. WALL MOUNTED ADA DOOR OPERATOR PUSH PAD
19. RECESSED FIRE EXTINGUISHER CABINET
20. WALL MOUNTED 24" X 12" MIRROR - TA-SA. REFER TO TOILET ACCESSORY SCHEDULE ON A8.01.
21. PLASTIC LAMINATE, 2-HIGH LOCKERS
22. PROVIDE IN-WALL BLOCKING FOR N.I.C. FIRST AID AND SAFETY EQUIPMENT
23. WALL MOUNTED LAPTOP CABINET - COORDINATE LOCATION WITH ARCHITECT PRIOR TO INSTALLATION
24. WALL MOUNTED GAS SHUT OFF BUTTON - REFER TO MECHANICAL DWGS
25. NOT USED
26. CHAIN LINK FENCE CAGE - EXTEND FENCING 10'-0" A.F.F.
- 27 - 18" AFF IN WALL BLOCKING AND HANDCUFF RING
28. THIS WALL AND DOOR ARE PROVIDED AT BASE BID ONLY. REMOVED AT ALT. BID #1. SEE SHEET A1.03
29. PLATED STEEL COLUMN, SEE STRUCTURAL
30. COORDINATE LOCATION OF WALL RECESS WITH CEILING TERMINATION - REFER TO RCP INFORMATION
31. METAL, 2-HIGH LOCKERS
32. JOINTS IN STONE SILL ALIGN WITH MULLIONS. REFER TO WALL SECTION FOR MORE INFORMATION
33. LINE OF SOFFIT BELOW. REFER TO RCP FOR MORE INFORMATION.
34. ALIGN FACE OF COLUMN ENCLOSURE WITH WINDOW JAMB
35. TRANSFORMER, GENERATOR, AND REMOTE REFRIGERATION RACK. REFER TO ELECTRICAL, FOOD SERVICE AND MECHANICAL DRAWINGS.

LAB CASEWORK GENERAL NOTES

1. ALL CABINETS WITH DOORS HAVE 3 ADJUSTABLE SHELVES UNLESS NOTED OTHERWISE
2. ALL CABINETS HAVE LABEL HOLDERS (EXCEPT THOSE WITH GLASS FRONTS) UNLESS NOTED OTHERWISE
3. ALL CABINETS ARE LOCKABLE (EXCEPT THOSE IN CHEM STORAGE). ALL CABINETS IN CHEMISTRY SHOULD BE KEYPED ALIKE. ALL CABINETS IN CHEM PREP SHOULD BE KEYPED ALIKE. ALL CABINETS IN PHYSICS AND PHYSICS PREP SHOULD BE KEYPED ALIKE. THERE SHOULD BE A MASTER KEY FOR THE WHOLE PROJECT
4. ALL SHELVING IN TALL OPEN SHELVING CABINETS SHOULD HAVE ANTI-ROLL UP AT EDGE FOR CHEMICAL STORAGE
5. MODEL NUMBERS NOTED IN SCHEDULES FOR CASEWORK AND FLAME HOODS ARE BASED ON BASIS OF DESIGN MANUFACTURER MOTT MANUFACTURING. MODEL NUMBERS NOTED IN SCHEDULES FOR ACCESSORIES ARE BASED ON BASIS OF DESIGN MANUFACTURER WATER SAUER UNLESS NOTED OTHERWISE. OTHER MANUFACTURERS AND MODEL NUMBERS ARE NOTED SPECIFICALLY IN THE SCHEDULES. SEE SPECIFICATION FOR ADDITIONAL INFORMATION ON ACCEPTABLE MANUFACTURERS
5. FLAME HOODS NOTED TO BE ADA IN THE SCHEDULE SHOULD BE FULLY ACCESSIBLE WITH FLUSH SILLS, ADA MOUNTING HEIGHTS FOR ALL SWITCHES AND ADA VALVES AND ACCESSIBLE REACHES FOR CUP SINKS ETC.



1 ENLARGED PLAN - SCIENCE LABS
 1/4" = 1'-0"

KEY PLAN:

SHEET STATUS: 9/21/15

ISSUED FOR CONSTRUCTION

NO.	DESCRIPTION:	DATE:

SHEET TITLE:
SCIENCE LABS - ENLARGED PLAN

SHEET NUMBER:

A8.11



ARCHITECT OF RECORD
DEMIONICA KEMPER ARCHITECTS
 125 N. HALSTED STREET, SUITE 301
 CHICAGO, IL 60661
 P: 312.496.0000

STRUCTURAL AND MEP/FP ENGINEERING
KJWW ENGINEERING CONSULTANTS
 1100 WARRENVILLE RD. SUITE
 400W NAPERVILLE, IL 60563
 P: 630.527.2320

FOOD SERVICE CONSULTANT
CINI LITTLE INTERNATIONAL, INC.
 200 E. HOWARD AVE. SUITE 212
 DES PLAINES, IL 60018
 P: 847.298.0088

CONSTRUCTION MANAGER
JOLIET JUNIOR COLLEGE
 1215 HOUBOLT RD.
 JOLIET, IL 60431
 P: 815.280.2212

JOLIET JUNIOR COLLEGE
ROMEIOVILLE CAMPUS EXPANSION
 1125 135th ST. ROMEIOVILLE, IL 60446
 DKA PROJECT NO: 14-005

LAB CASEWORK SCHEDULE						
TAG	TYPE	WIDTH	DEPTH	HEIGHT	COMMENTS	MODEL NO.
B01.30	Lab Cswrk- Base Cabinet-Double Door: 30"	2' - 6"	1' - 9 1/2"	2' - 9"		1380011W
B01.32	Lab Cswrk- Base Cabinet-Double Door: 32"	2' - 8"	1' - 9 1/2"	2' - 9"		1383011W (SIM, 32" WIDTH)
B01.36	Lab Cswrk- Base Cabinet-Double Door: 36"	3' - 0"	1' - 9 1/2"	2' - 9"		1480011W
B01A.30	Lab Cswrk- Base Cabinet-Double Door: 30" - 36" HIGH	2' - 6"	1' - 9 1/2"	2' - 11"		1310011W
B01A.36	Lab Cswrk- Base Cabinet-Double Door: 36" - 36" HIGH	3' - 0"	1' - 9 1/2"	2' - 11"		1410011W
B01B.30	Lab Cswrk- Base Cabinet-Double Door: 30" - 36" HIGH SS	2' - 6"	1' - 9 1/2"	2' - 11"	STAINLESS STEEL CABINET	1310011W
B02.24	Lab Cswrk- Base Cabinet-Single Door: 24"	2' - 0"	1' - 9 1/2"	2' - 9"		1280011W
B02A.21	Lab Cswrk- Base Cabinet-Single Door: 21" - VENTED	1' - 9"	1' - 9 1/2"	2' - 9"		1280011W (SIM, 21" WIDTH, PERFORATED METAL)
B02A.24	Lab Cswrk- Base Cabinet-Single Door: 24" - 36" HIGH	2' - 0"	1' - 9 1/2"	2' - 11"		1210011W
B03.30	Lab Cswrk- Base Cabinet-Double Door & 2 Drawer: 30"	2' - 6"	1' - 9 1/2"	2' - 9"		1380022W
B03.36	Lab Cswrk- Base Cabinet-Double Door & 2 Drawer: 36"	3' - 0"	1' - 9 1/2"	2' - 9"		1480022W
B03A.30	Lab Cswrk- Base Cabinet-Double Door & 2 Drawer: 30" - 36" HIGH	2' - 6"	1' - 9 1/2"	2' - 11"		1310022W
B03B.30	Lab Cswrk- Base Cabinet-Double Door & 2 Drawer: 36" - 36" HIGH SS	2' - 6"	1' - 9 1/2"	2' - 11"	STAINLESS STEEL CABINET	1310022
B04.12	Lab Cswrk- Base Cabinet-4 Drawers: 12"	1' - 0"	1' - 9 1/2"	2' - 9"		1080044W
B04A.18	Lab Cswrk- Base Cabinet-4 Drawers: 18" - 36" HIGH	1' - 6"	1' - 9 1/2"	2' - 11"		1110044W
B04A.30	Lab Cswrk- Base Cabinet-4 Drawers - Wide: 30" - 36" HIGH	2' - 6"	1' - 9 1/2"	2' - 11"		1310097W
B05.30	Lab Cswrk- Base Cabinet-6 Drawers - 2 Wide: 30"	2' - 6"	1' - 9 1/2"	2' - 9"		1380099W
B05.36	Lab Cswrk- Base Cabinet-6 Drawers - 2 Wide: 36"	3' - 0"	1' - 9 1/2"	2' - 9"		1480099W
B05.40	Lab Cswrk- Base Cabinet-6 Drawers - 2 Wide: 40"	3' - 4"	1' - 9 1/2"	2' - 9"		1880099W (SIM, 40" WIDTH)
B05A.36	Lab Cswrk- Base Cabinet-6 Drawers - 2 Wide: 36" - 36" HIGH	3' - 0"	1' - 9 1/2"	2' - 11"		1410099W
B06.36	Lab Cswrk- Base Cabinet-5 Drawers - 1 Door: 36"	3' - 0"	1' - 9 1/2"	2' - 9"	NO SHELVES IN THIS CABINET	1480024W
B06A.36	Lab Cswrk- Base Cabinet-5 Drawers - 1 Door: 36" - 36" HIGH	3' - 0"	1' - 9 1/2"	2' - 11"	NO SHELVES IN THIS CABINET	1410024W
B07.24	Lab Cswrk- Base Cabinet-Fume Hood: 24"	2' - 0"	1' - 9 1/2"	2' - 9"		1285022W
B07A.24	Lab Cswrk- Base Cabinet-Fume Hood: 24" - 36" HIGH	2' - 0"	1' - 9 1/2"	2' - 11"		1288022W
B08.30	Lab Cswrk- Base Cabinet-Double Door Sink Unit: 30"	2' - 6"	1' - 9 1/2"	2' - 9"		1385022W
B08A.36	Lab Cswrk- Base Cabinet-Double Door Sink Unit: 36" - 36" HIGH	3' - 0"	1' - 9 1/2"	2' - 11"	SINK CABINET	1418022W
B09.36	Lab Cswrk- Base Cabinet-ADA sink cabinet: 36"	3' - 0"	1' - 9 1/2"	2' - 9"	ADA SINK CABINET	14K3011W
B10.32	Lab Cswrk- Base Cabinet-Double Door: 32" - (10) 13-3/4" TOTE TRAYS	2' - 8"	1' - 9 1/2"	2' - 9"	(10) 13-3/4" WIDE TOTE TRAYS (PTT0001)	1383011W (SIM, 32" WIDTH, SLIDES FOR TOTE TRAYS)
B10A.32	Lab Cswrk- Base Cabinet-Double Door: 32" - 36" HIGH - (12) 13 3/4" TOTE TRAYS	2' - 8"	1' - 9 1/2"	2' - 11"	(12) 13-3/4" WIDE TOTE TRAYS (PTT0001)	1310011W (SIM, 32" WIDTH WITH TOTES AND RAILS)
B11.24	Lab Cswrk- Base Cabinet-Single Door: 24" A/V Cabinet	2' - 0"	1' - 9 1/2"	2' - 9"	A/V AND COMP. EQUIP. CABINET - PERF. METAL IN DOOR	1280011W (SIM)
B12.18	Lab Cswrk- Base Cabinet-3 Drawers: 18"	1' - 6"	1' - 9 1/2"	2' - 9"		145C272
T01.36	Lab Cswrk- Tall Cabinet-Bookshelves-2 Door: 36"	3' - 0"	1' - 10"	7' - 0"		6430060W (2 DOORS)
T01A.48	Lab Cswrk- Tall Cabinet-Bookshelves-2 Door: 48" - (36) Tote tray cabinet	4' - 0"	1' - 10"	7' - 0"	(36) 14" WIDE TOTE TRAY SLOTS ON OPEN SHELVES	6530060W (SIM, 12 SHELVES) WITH 36 TOTES PTT0002
T02.30	Lab Cswrk- Tall Cabinet-Open Shelves: 30"	2' - 6"	1' - 10"	7' - 0"		6330010W
T02.36	Lab Cswrk- Tall Cabinet-Open Shelves: 36"	3' - 0"	1' - 10"	7' - 0"		6430010W
T02.42	Lab Cswrk- Tall Cabinet-Open Shelves: 42"	3' - 6"	1' - 10"	7' - 0"		6630010W
T02A.36	Lab Cswrk- Tall Cabinet-Open Shelves: 36" WIDE X 48" DEEP IN PHYSICS PREP	3' - 0"	4' - 0"	7' - 0"	48" DEEP, OPEN BOTH SIDES, 4 ADJ. SHELVES, ONE FIXED SHELF	6430010W (SIM, OPEN BOTH SIDES, 48" DEEP)
T02A.48	Lab Cswrk- Tall Cabinet-Open Shelves: 48" WIDE X 48" DEEP IN PHYSICS PREP	4' - 0"	4' - 0"	7' - 0"	48" DEEP, OPEN BOTH SIDES, 4 ADJ. SHELVES, ONE FIXED SHELF	6530010W (SIM, OPEN BOTH SIDES, 48" DEEP)
W01.24	Lab Cswrk- Upper Cabinet-Open Single Shelf-Wall: 24"	2' - 0"	1' - 0"	2' - 6"		5210010W
W01.30	Lab Cswrk- Upper Cabinet-Open Single Shelf-Wall: 30"	2' - 6"	1' - 0"	2' - 6"		5310010W
W01.36	Lab Cswrk- Upper Cabinet-Open Single Shelf-Wall: 36"	3' - 0"	1' - 0"	2' - 6"		5410010W
W01A.36	Lab Cswrk- Upper Cabinet-Open Shelves-Wall: 36" - SS	3' - 0"	1' - 0"	2' - 6"	STAINLESS STEEL OPEN CABINET WITH ADJ. SHELVES	5410010
W02.30	Lab Cswrk- Upper Cabinet-Double Door w Glass-Wall: 30"	2' - 6"	1' - 0"	2' - 6"	GLASS FRONTED	5310030W
W02.36	Lab Cswrk- Upper Cabinet-Double Door w Glass-Wall: 36"	3' - 0"	1' - 0"	2' - 6"	GLASS FRONTED	5410030W
W03.21	Lab Cswrk- Upper Cabinet-Single Door w Glass-Wall: 21"	1' - 9"	1' - 0"	2' - 6"	GLASS FRONTED	5210030W (SIM, 21" WIDTH)
W03.24	Lab Cswrk- Upper Cabinet-Single Door w Glass-Wall: 24"	2' - 0"	1' - 0"	2' - 6"	GLASS FRONTED	5210030W

LAB EQUIPMENT SCHEDULE			
TAG	TYPE	COMMENTS	MODEL NO.
AC 01	VALVE ASSEMBLY: 4 NOZZLE		L4200-134WSA
AC 02	VALVE ASSEMBLY: 1 NOZZLE		L4200-131WSA
AC 03	VALVE ASSEMBLY: 2 NOZZLE - SINGLE SIDED		L4200-132AWSA
AC 04	LAB CART: LAB CART	20" x 30" x 30" STAINLESS STEEL ROLLING CART ON CASTERS	
AC 06	SCIENCE SAFETY STATION: RECESSED		SSBF2152 WITH AP250-065 MODESTY CURTAIN
AC 07	LAB CASEWORK - GLASSWARE PEGBOARD: 30"	STAINLESS STEEL - INCLUDE DRIP TROUGH	706C531
AC 08	RECEPTACLE PEDESTAL: SINGLE GANG - DOUBLE FACED		E400WS
AC 09	APPARATUS ROD: SS ROD - 24" HIGH	1/2" THREADED END ROD IN SURFACE MOUNTED SOCKET	AAP125-024 WITH AAP101
AC 10	APPARATUS ROD: SS ROD - 36" HIGH	3/4" DIA. TAPERED END VERTICAL ROD IN RECESSED FLUSH MOUNTED SOCKET	AAP110-036 WITH AA0100
AC 11	DISHWASHER: 24" x 24" x 34"	FLASKSCRUBBER GLASSWARE WASHER, PURE WATER CONNECTION	LABCONCO CATALOG NUMBER: 4420321
AC 12	FLAMMABLES CABINET: FLAMMABLES CABINET	JUSTRITE FLAMMABLE SAFETY CABINET, 45 GAL. YELLOW, MODEL 894520	
AC 13	CORROSIVES CABINET: CORROSIVES CABINET	SciMatCo SC8083 JUMBO STACKING BASE CABINET	
AC 14	SCIENCE - ROLLING TABLE: 24" X 36"	EPOXY TOPPED TABLE WITH WOOD VENEER CASEWORK LEGS AND FRAME SUPPORTS ON HEAVY DUTY LOCKING CASTERS	
AC 15	TOWEL HOLDER MOUNT: TOWEL HOLDER MOUNT	SAN JAMAR #SAN T1950XC TOWEL HOLDER MOUNTED TO 11"x14"x1/4" SS PLATE MOUNTED TO 1/2" DIA. SS U-SHAPED ROD ANCHORED INTO COUNTERTOP	
AC 16	SERVICE DROP: SERVICE DROP	REFER TO DETAILS FOR DIMENSIONS AND MORE INFORMATION	MOTT MANUFACTURING - SDP2090W (SIM)
AC 17	SCIENCE SUSPENDED SHELVEING: SCIENCE SUSPENDED SHELVEING	REFER TO DETAILS FOR DIMENSIONS AND MORE INFORMATION	MOTT MANUFACTURING - REAGENT SHELVEING (SIM)
FH 01	FUME HOOD: 60"	GAS, VACCUUM, POWER, COLD WATER	
FH 02	FUME HOOD: 60" - ADA	ADA HOOD, GAS, VACCUUM, POWER, COLD WATER	
FH 03	FUME HOOD: 60" - ADA CHEM PREP	ADA HOOD, GAS, POWER, COLD WATER	

LAB SINK SCHEDULE			
TAG	TYPE	DESCRIPTION	
SK 01	DKA_LAB SINK: 20" x 16" x 10" - EPOXY UNDERMOUNT	EPOXY UNDERMOUNT SINK, 2 HANDLE MIXING FAUCET GOOSENECK SWING SPOUT WITH AERATOR - L412BH (CHROME PLATED BRASS)	
SK 02	DKA_LAB SINK: 24" x 16" x 12" - ONE BOWL OF SCULLERY SINK, DE-I WATER AND LARGE SPRAYER	ONE BOWL OF 96"Wx30"Dx 36"H SS SCULLERY SINK, LARGE SPRAYER - 33L47200, DE-IONIZED WATER TAP WITH HOSE END - L7833SC	
SK 03	DKA_LAB SINK: 20" x 16" x 6" - ADA EPOXY DROP IN, DE-I WATER	ADA DROP-IN EPOXY SINK, 2 HANDLE MIXING FAUCET GOOSENECK SWING SPOUT WITH AERATOR - L412BH (CHROME PLATED BRASS), DE-IONIZED WATER TAP WITH HOSE END - L7833SC	
SK 04	DKA_LAB SINK: 24" x 16" x 12" - EPOXY UNDERMOUNT, DE-I WATER	EPOXY UNDERMOUNT SINK, 2 HANDLE MIXING FAUCET GOOSENECK SWING SPOUT WITH AERATOR - L412BH (CHROME PLATED BRASS), DE-IONIZED WATER TAP WITH HOSE END - L7833SC	
SK 05	DKA_LAB SINK: 24" x 16" x 12" - STAINLESS STEEL SCULLERY SINK	ONE BOWL OF 96"Wx30"Dx 36"H SS SCULLERY SINK, 2 HANDLE MIXING FAUCET GOOSENECK SWING SPOUT, AERATOR - L412BH (CHROME PLATED BRASS)	
SK 06	DKA_LAB SINK: 16" x 16" x 10" - UNDERMOUNT - AERATOR	EPOXY UNDERMOUNT SINK, 2 HANDLE MIXING FAUCET GOOSENECK SWING SPOUT WITH AERATOR - L412BH (CHROME PLATED BRASS)	
SK 07	DKA_LAB SINK: 20" x 16" x 6" - ADA EPOXY DROP	ADA EPOXY DROP-IN SINK, 2 HANDLE MIXING FAUCET GOOSENECK SWING SPOUT WITH AERATOR - L412BH (CHROME PLATED BRASS)	

LAB CASEWORK GENERAL NOTES

- ALL CABINETS WITH DOORS HAVE 3 ADJUSTABLE SHELVES UNLESS NOTED OTHERWISE
- ALL CABINETS HAVE LABEL HOLDERS (EXCEPT THOSE WITH GLASS FRONTS) UNLESS NOTED OTHERWISE
- ALL CABINETS ARE LOCKABLE (EXCEPT THOSE IN CHEM STORAGE). ALL CABINETS IN CHEMISTRY SHOULD BE KEYPED ALIKE. ALL CABINETS IN CHEM PREP SHOULD BE KEYPED ALIKE. ALL CABINETS IN PHYSICS AND PHYSICS PREP SHOULD BE KEYPED ALIKE. THERE SHOULD BE A MASTER KEY FOR THE WHOLE PROJECT.
- ALL SHELVING IN TALL OPEN SHELVING CABINETS SHOULD HAVE ANTI-ROLL LIP AT EDGE FOR CHEMICAL STORAGE
- MODEL NUMBERS NOTED IN SCHEDULES FOR CASEWORK AND FUME HOODS ARE BASED ON BASIS OF DESIGN MANUFACTURER MOTT MANUFACTURING. MODEL NUMBERS NOTED IN SCHEDULES FOR ACCESSORIES ARE BASED ON BASIS OF DESIGN MANUFACTURER WATER SAVER UNLESS NOTED OTHERWISE. OTHER MANUFACTURERS AND MODEL NUMBERS ARE NOTED SPECIFICALLY IN THE SCHEDULES. SEE SPECIFICATION FOR ADDITIONAL INFORMATION ON ACCEPTABLE MANUFACTURERS
- FUME HOODS NOTED TO BE ADA IN THE SCHEDULE SHOULD BE FULLY ACCESSIBLE WITH FLUSH SILLS, ADA MOUNTING HEIGHTS FOR ALL SWITCHES AND ADA VALVES AND ACCESSIBLE REACHES FOR CUP SINKS ETC.

KEY PLAN:

SHEET STATUS: 9/21/15
ISSUED FOR CONSTRUCTION

NO.	DESCRIPTION:	DATE:

SHEET TITLE:
SCIENCE LABS - SCHEDULES

SHEET NUMBER:
A8.12



ARCHITECT OF RECORD
DEMONICA KEMPER ARCHITECTS
 125 N. HALSTED STREET, SUITE 301
 CHICAGO, IL 60661
 P: 312.496.0000

STRUCTURAL AND MEP/FP ENGINEERING
KJWW ENGINEERING CONSULTANTS
 1100 WARRENVILLE RD. SUITE
 400W NAPERVILLE, IL 60563
 P: 630.527.2320

FOOD SERVICE CONSULTANT
CINI LITTLE INTERNATIONAL, INC.
 200 E. HOWARD AVE. SUITE 212
 DES PLAINES, IL 60018
 P: 847.298.0088

CONSTRUCTION MANAGER
JOLIET JUNIOR COLLEGE
 1215 HOUBOLT RD.
 JOLIET, IL 60431
 P: 815.280.2212

JOLIET JUNIOR COLLEGE
ROMEORVILLE CAMPUS EXPANSION
 1125 135th ST. ROMEORVILLE, IL 60446
 DKA PROJECT NO: 14-005

KEY PLAN:

SHEET STATUS: 9/21/15

ISSUED FOR CONSTRUCTION

NO.	DESCRIPTION:	DATE:
1		

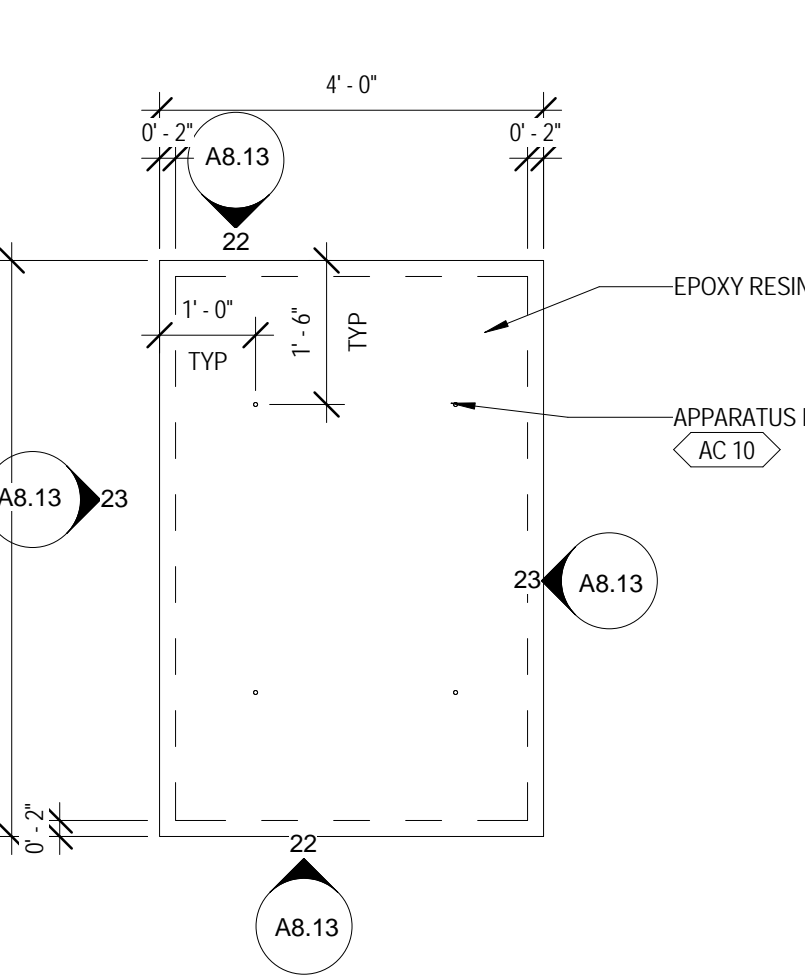
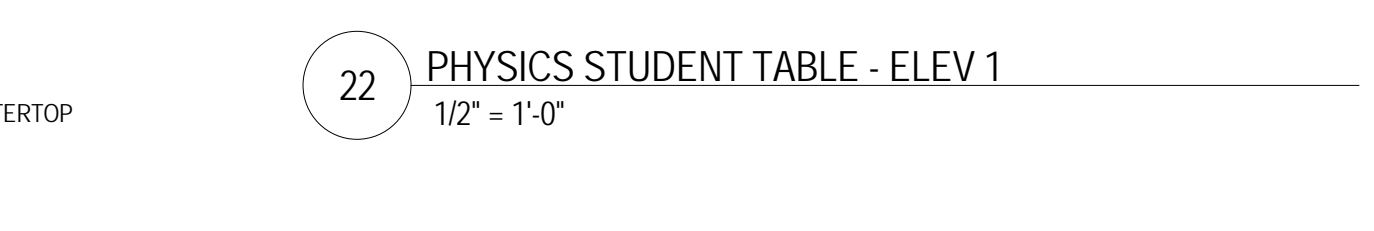
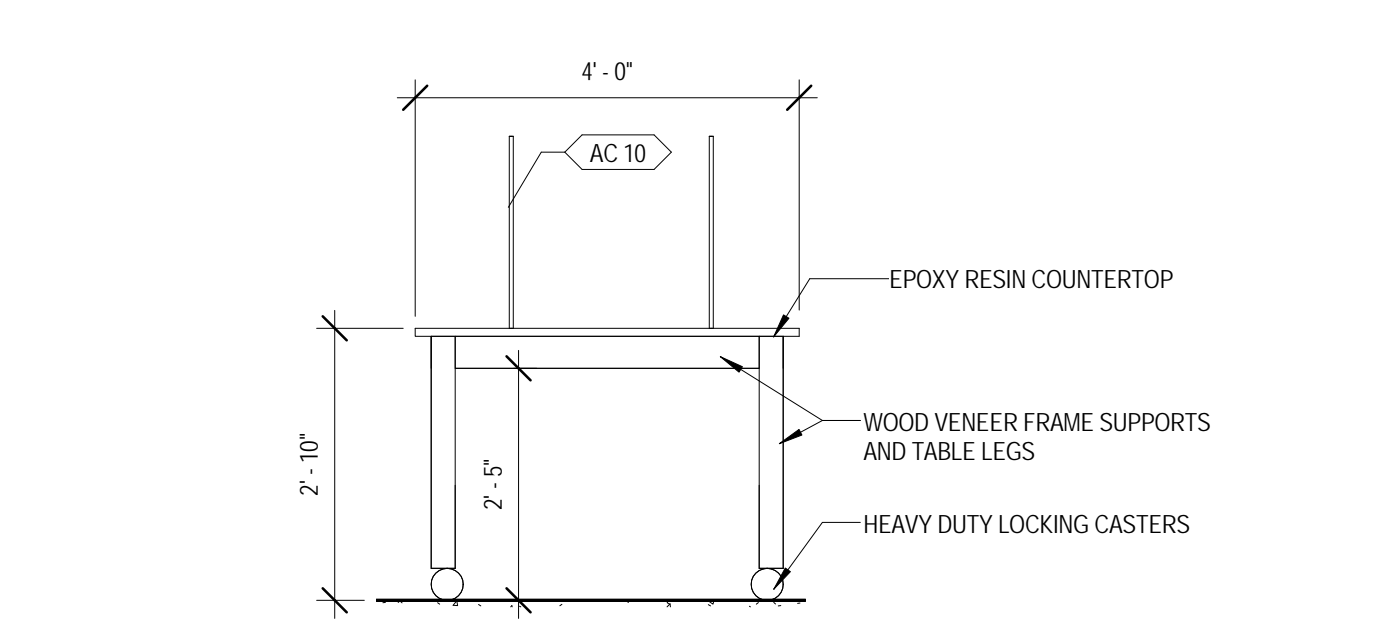
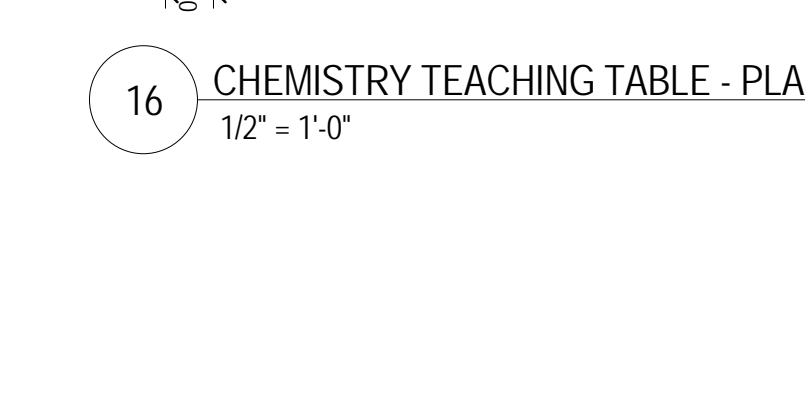
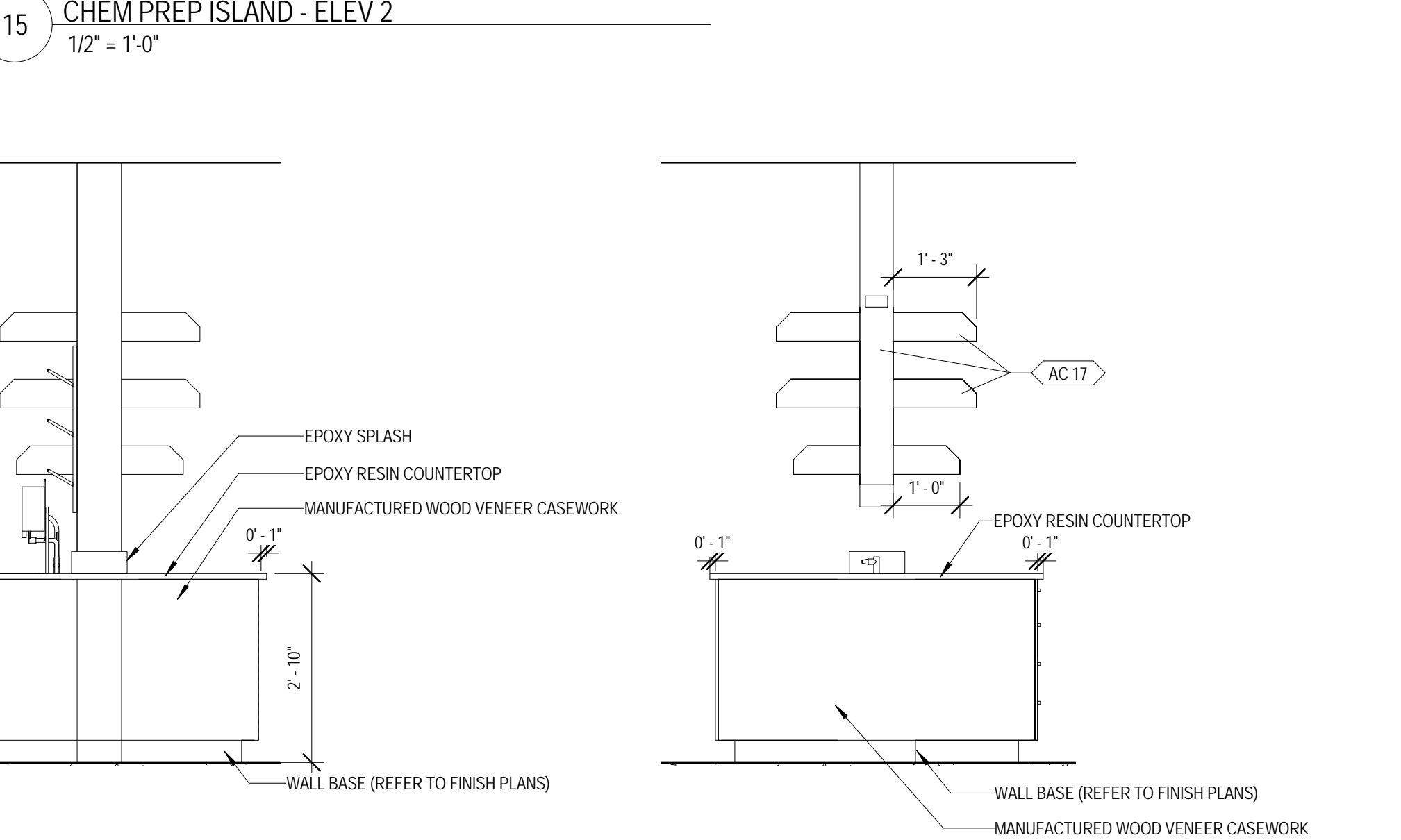
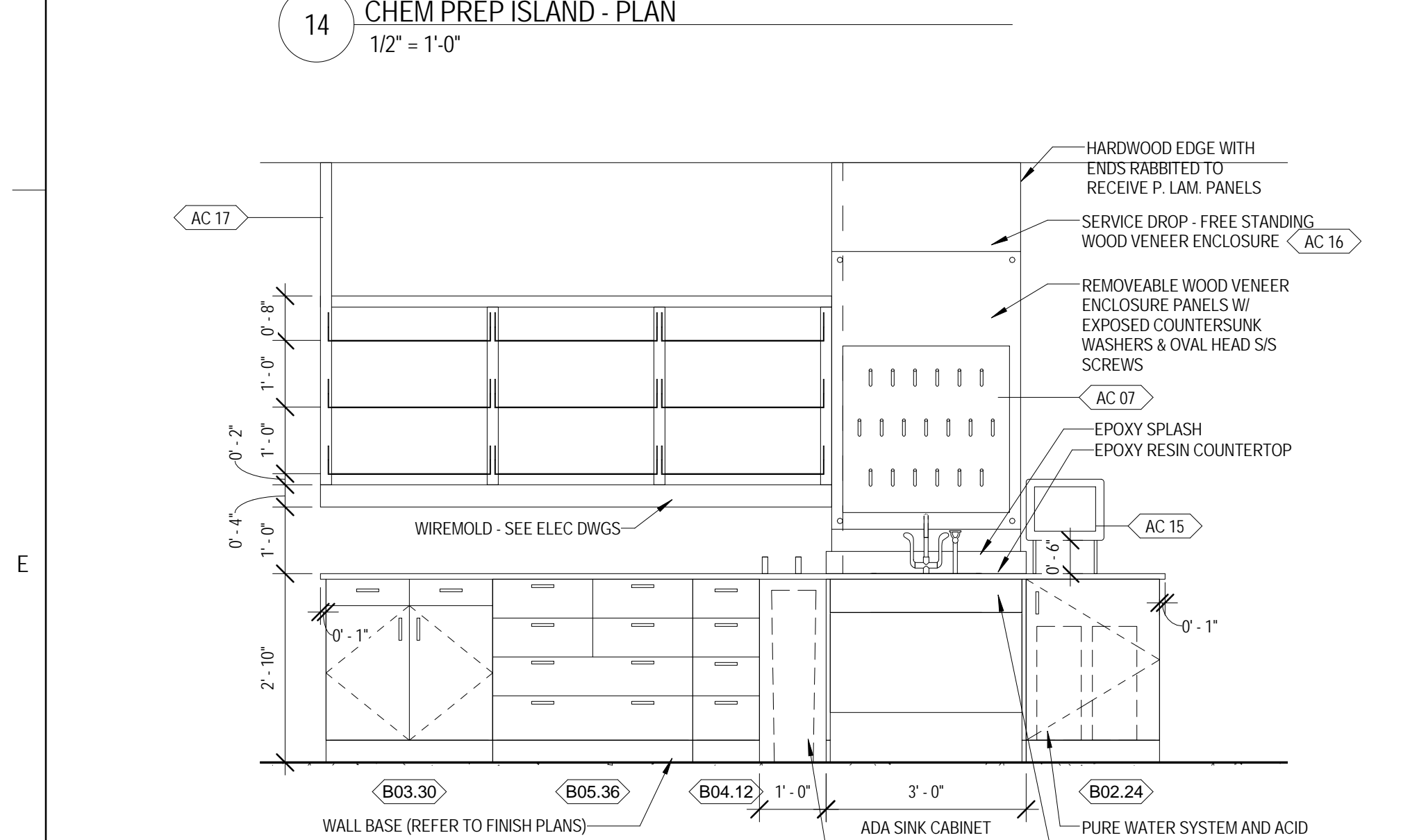
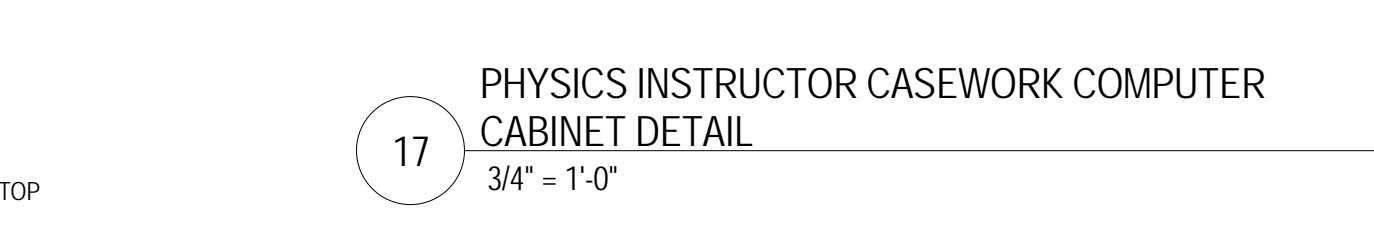
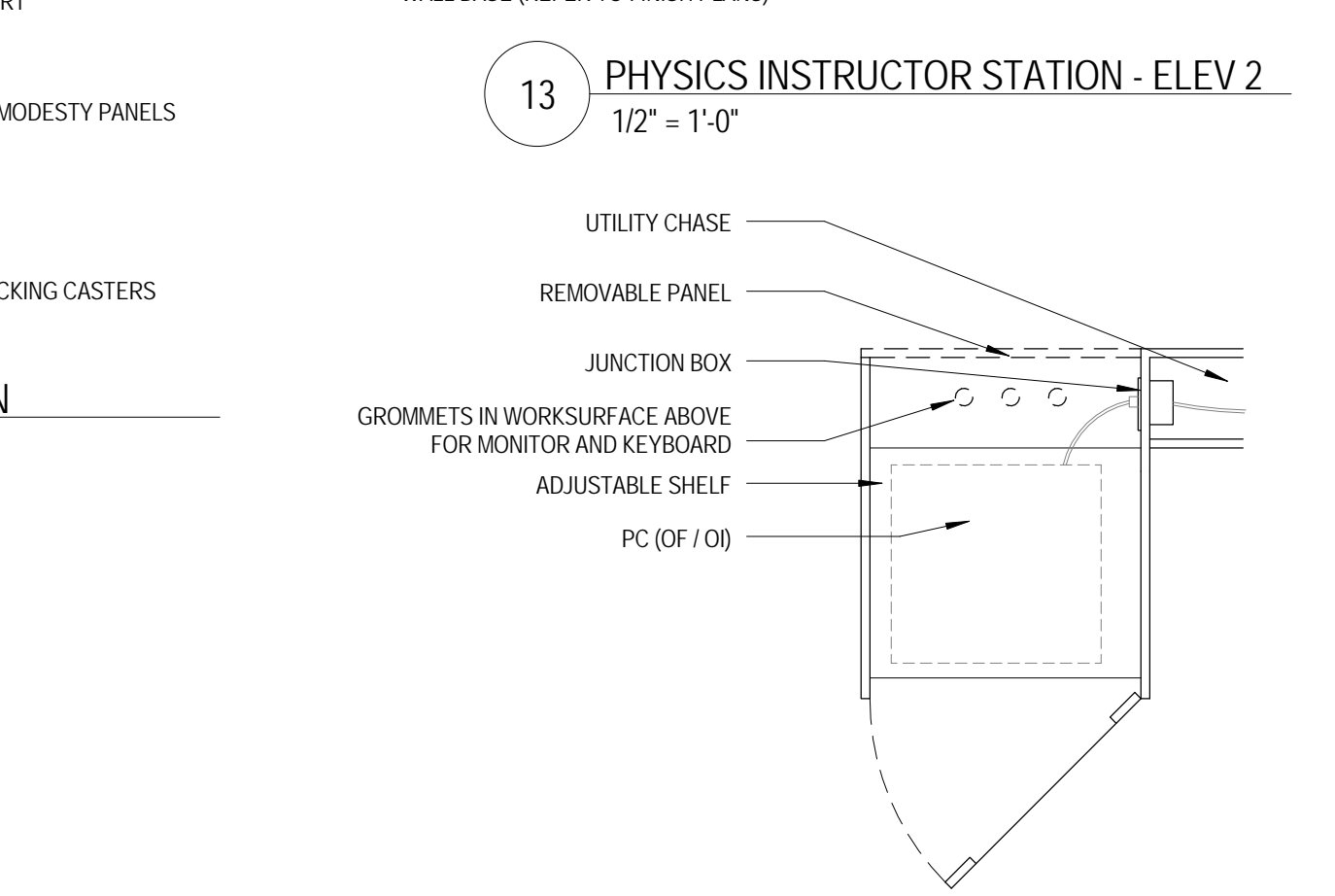
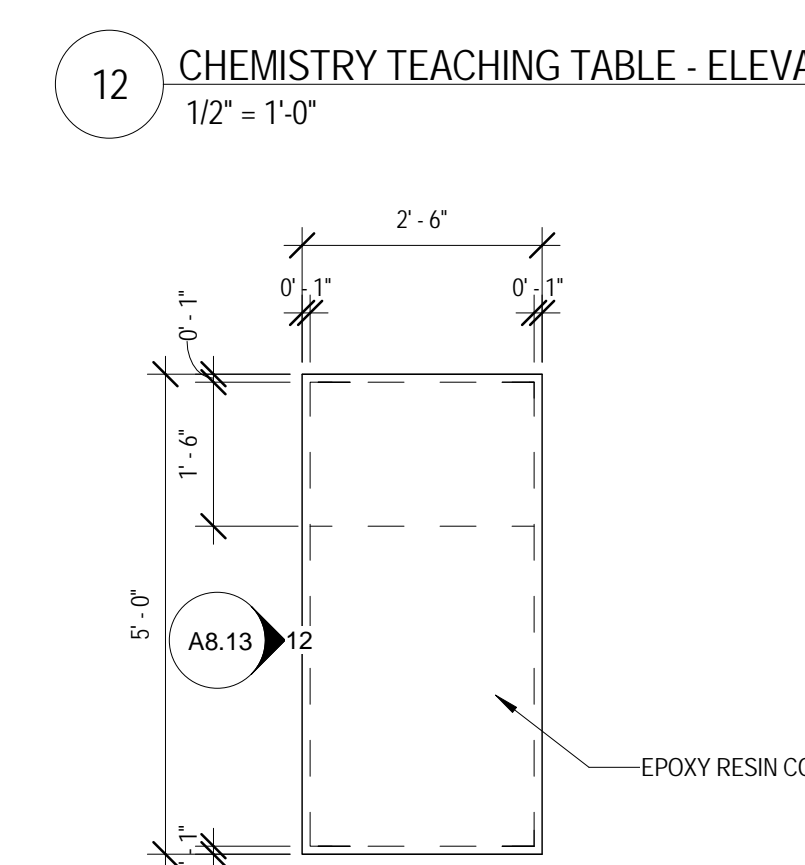
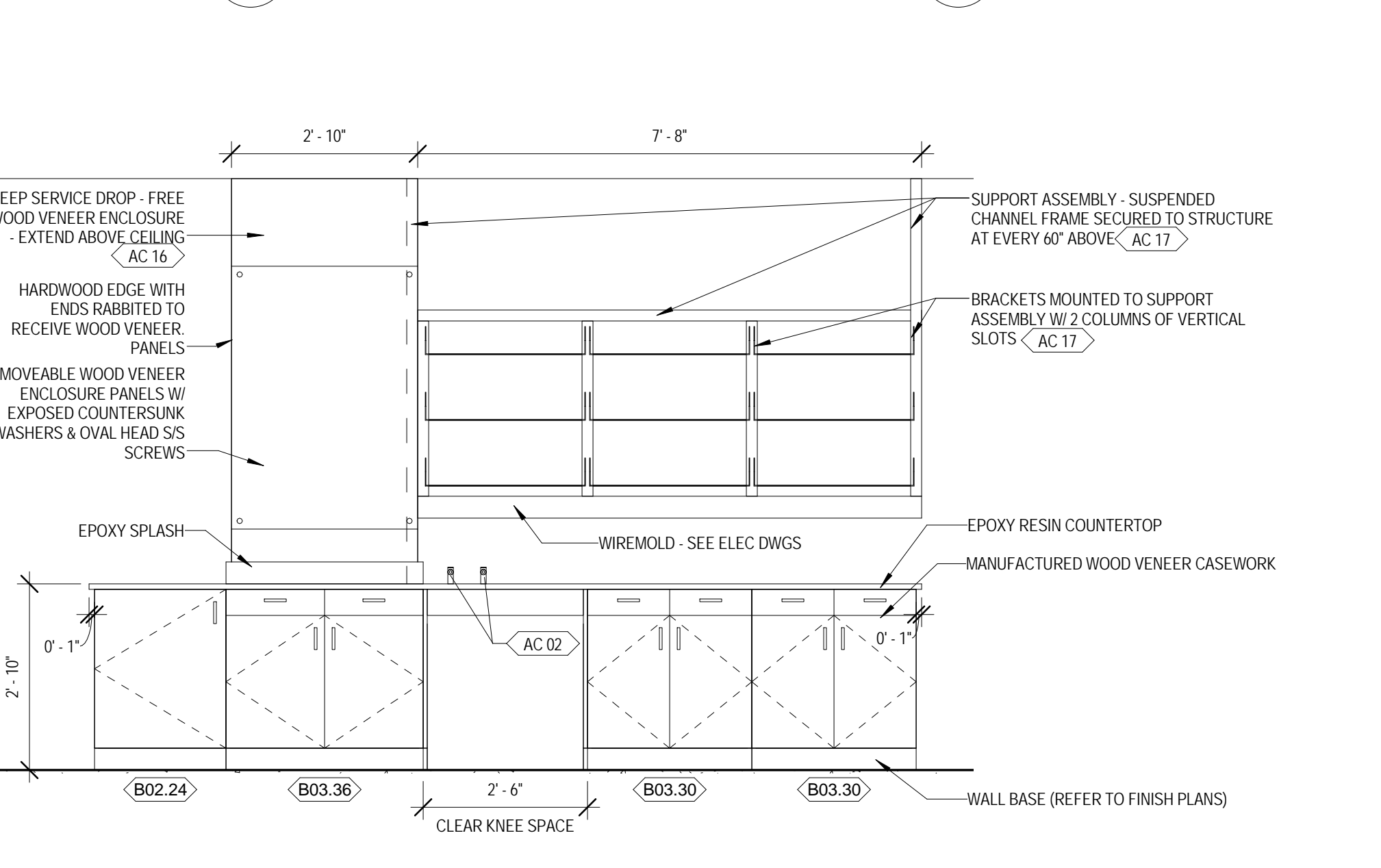
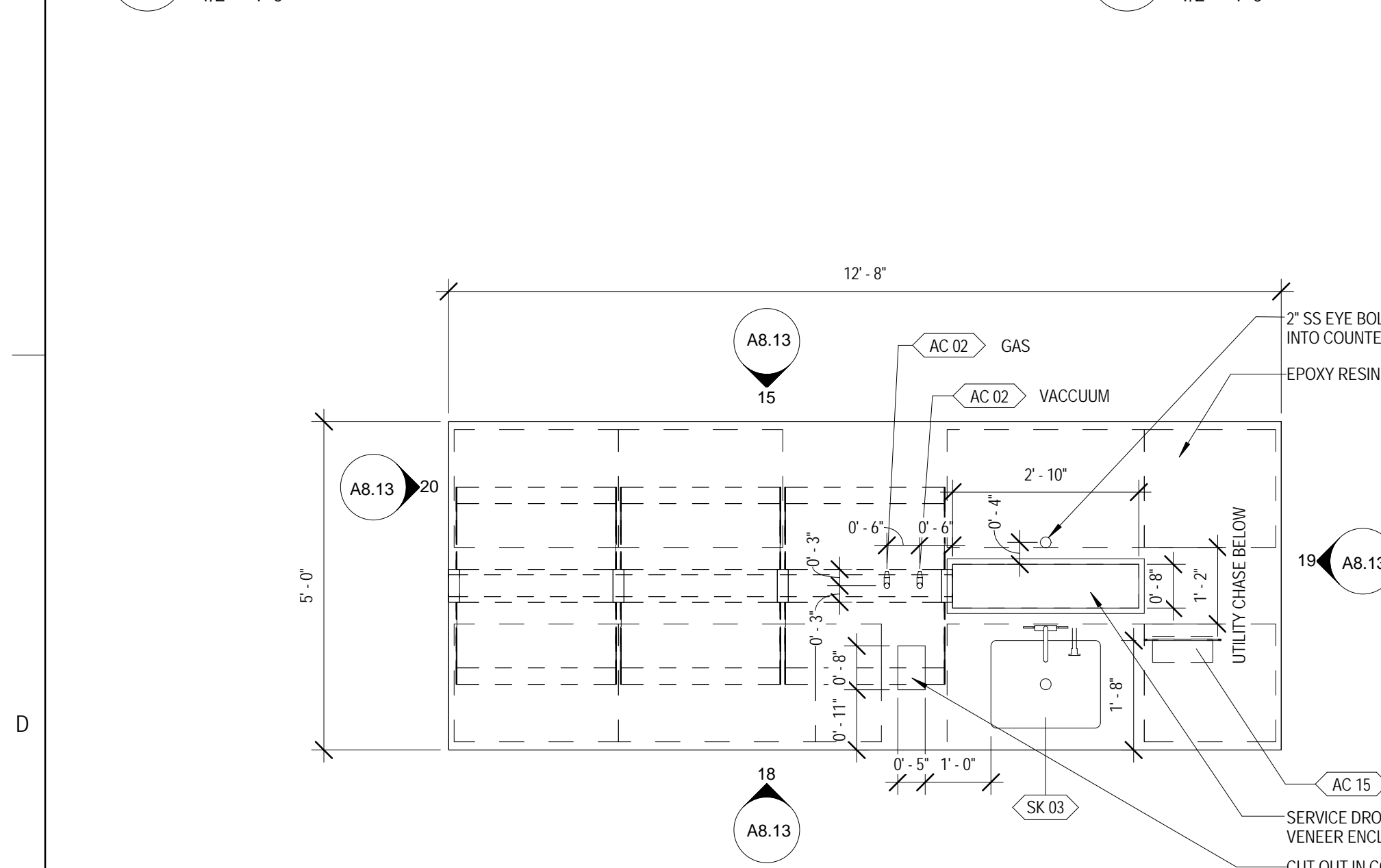
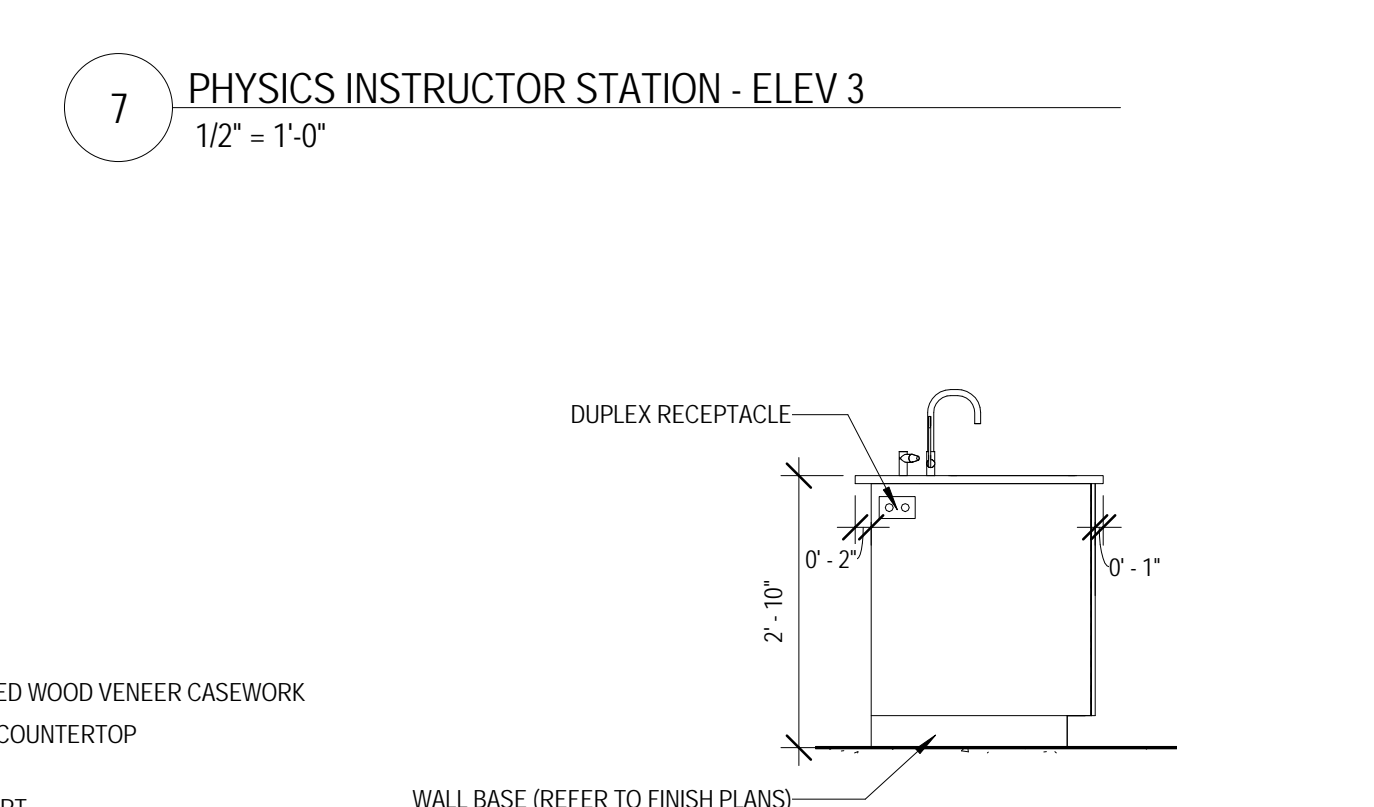
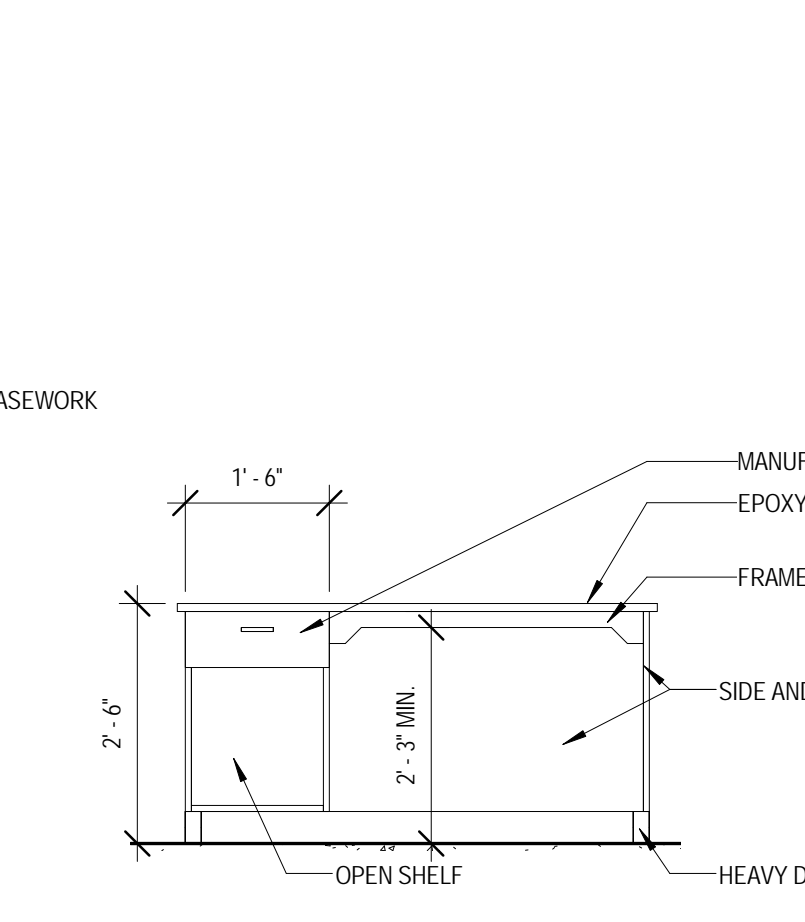
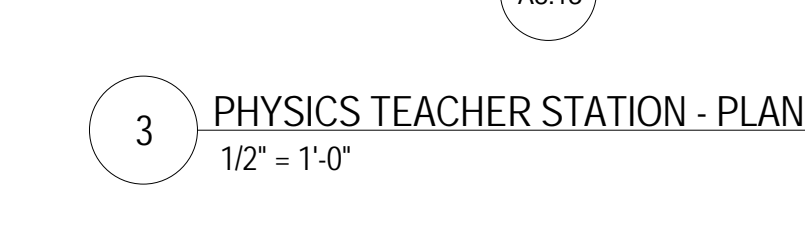
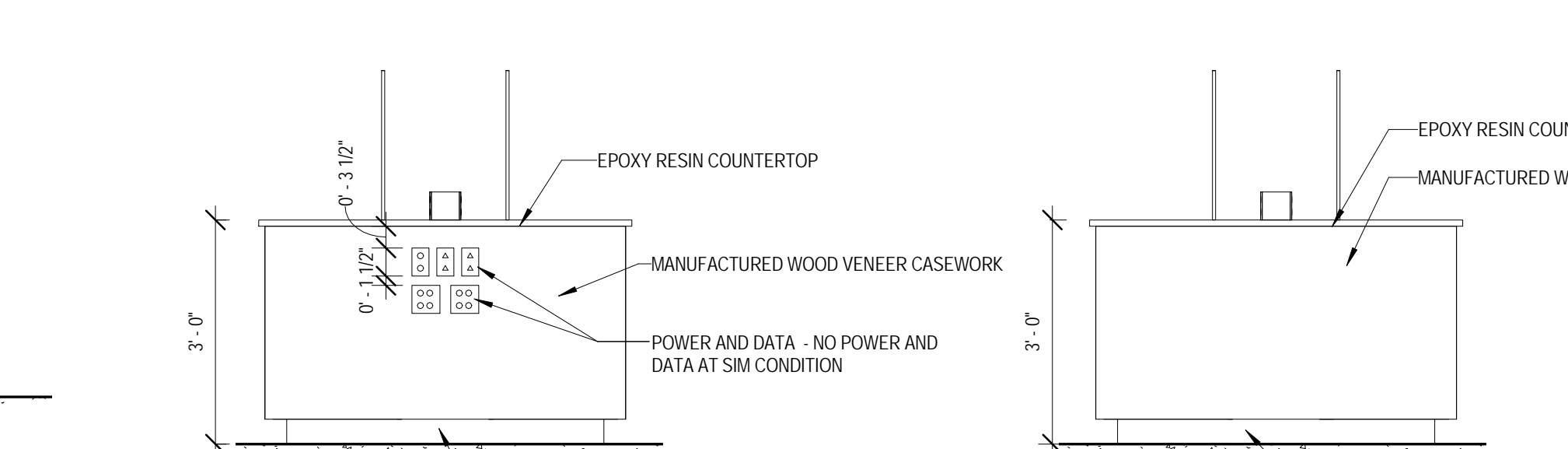
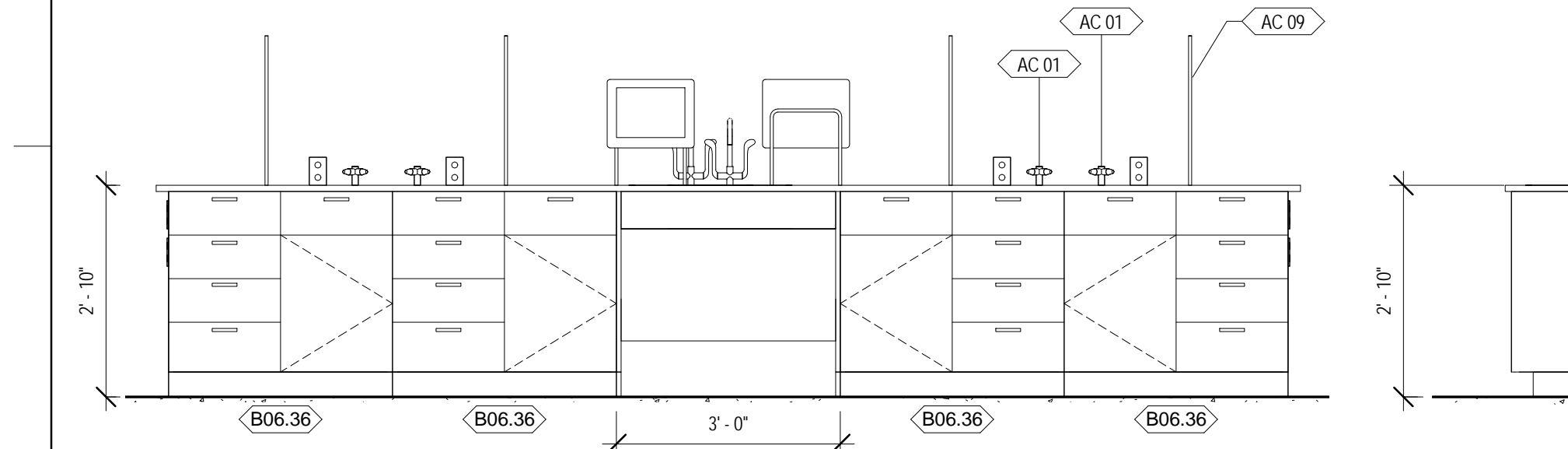
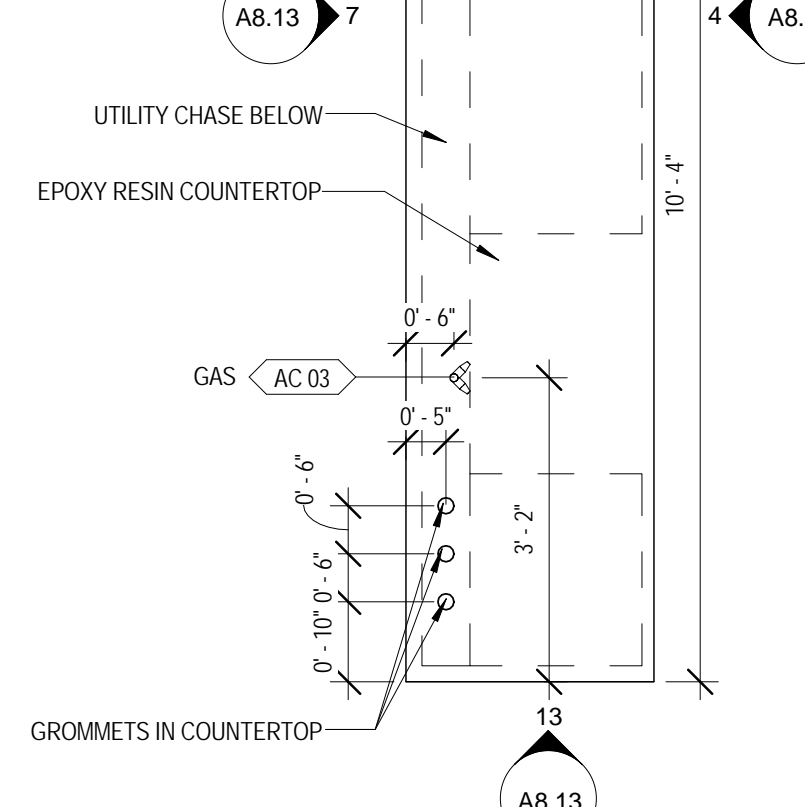
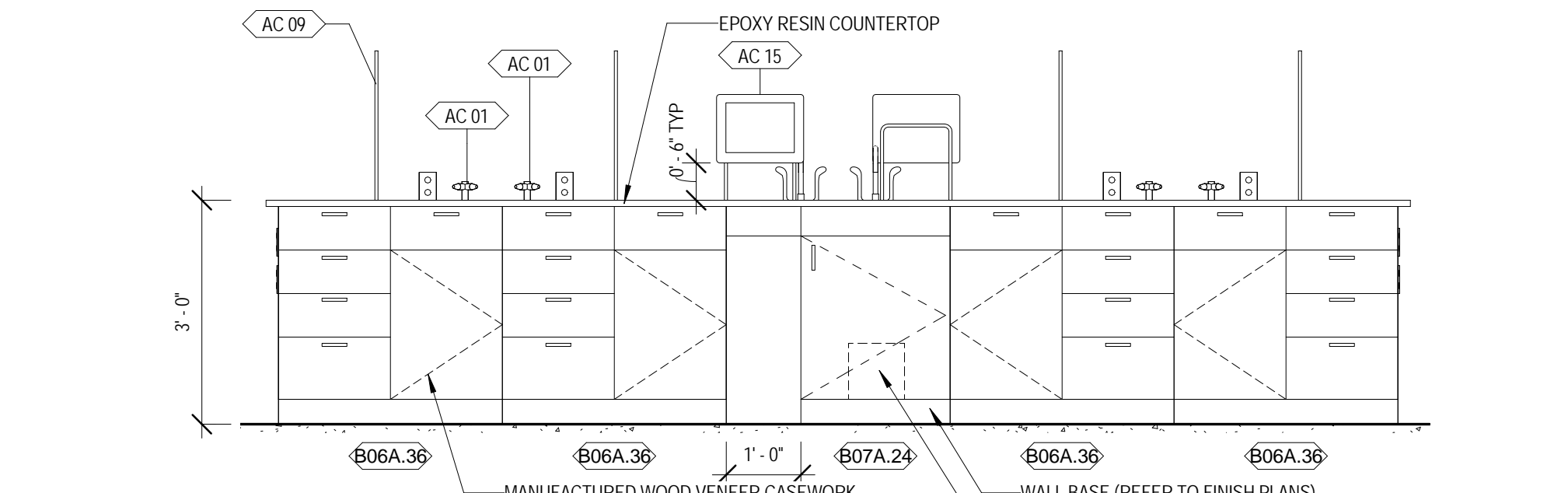
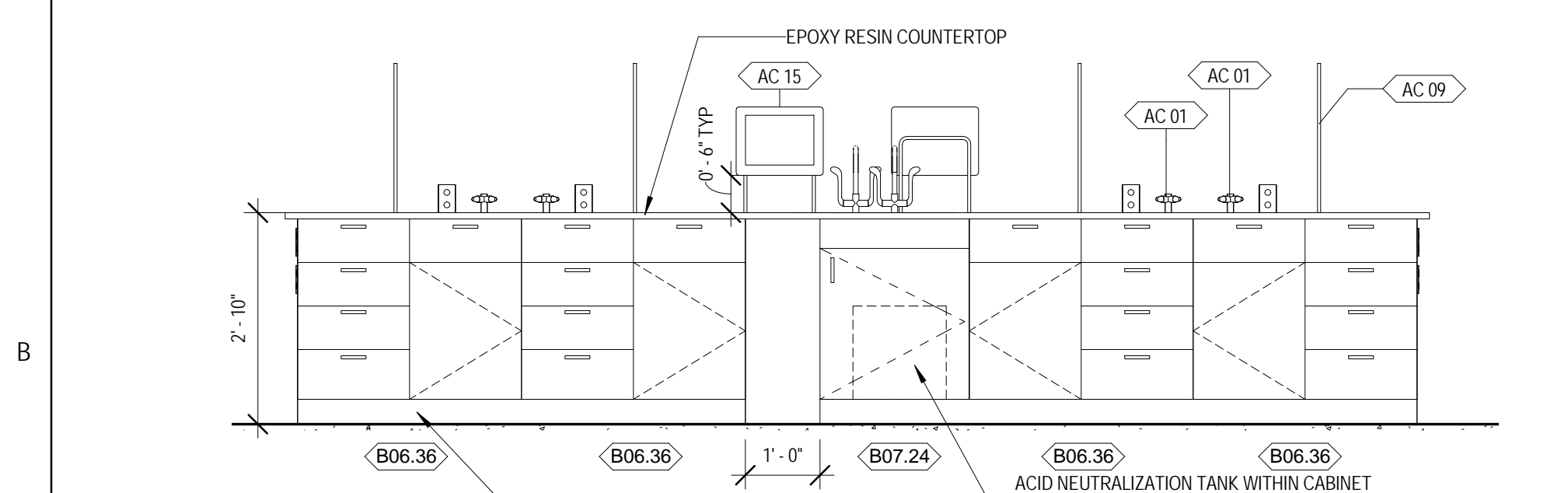
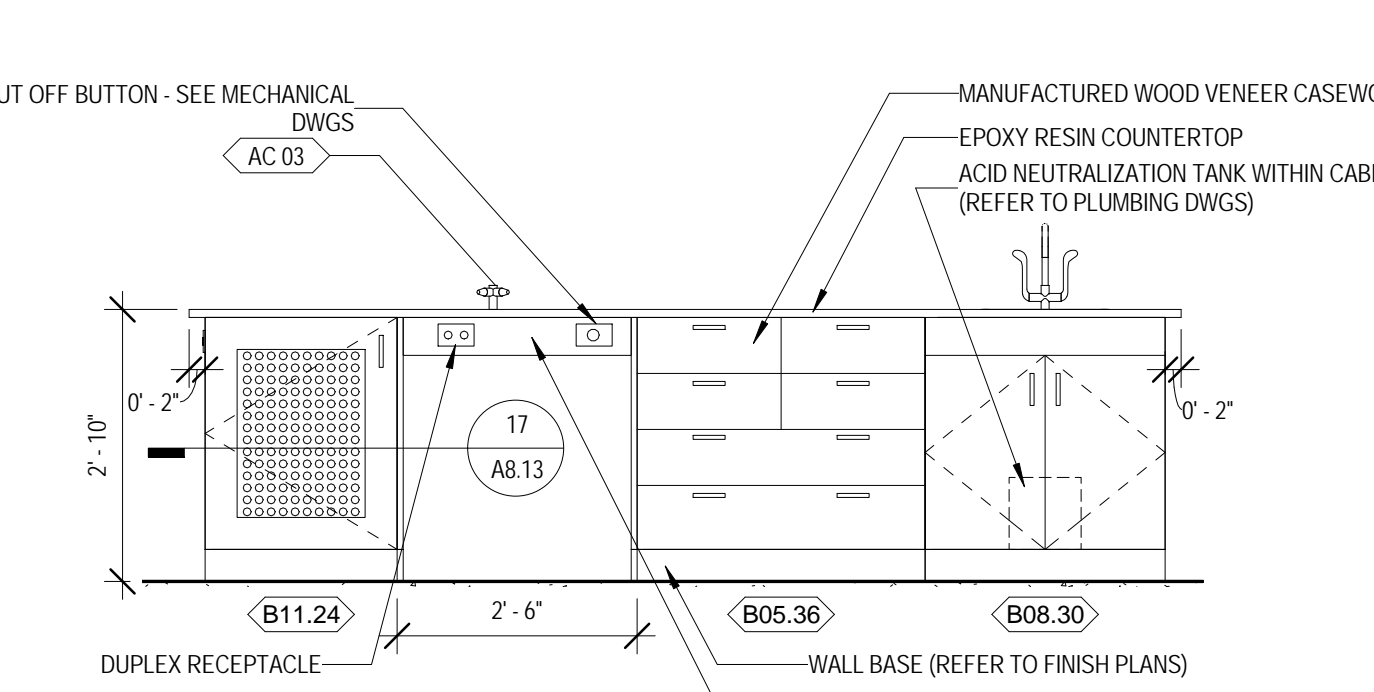
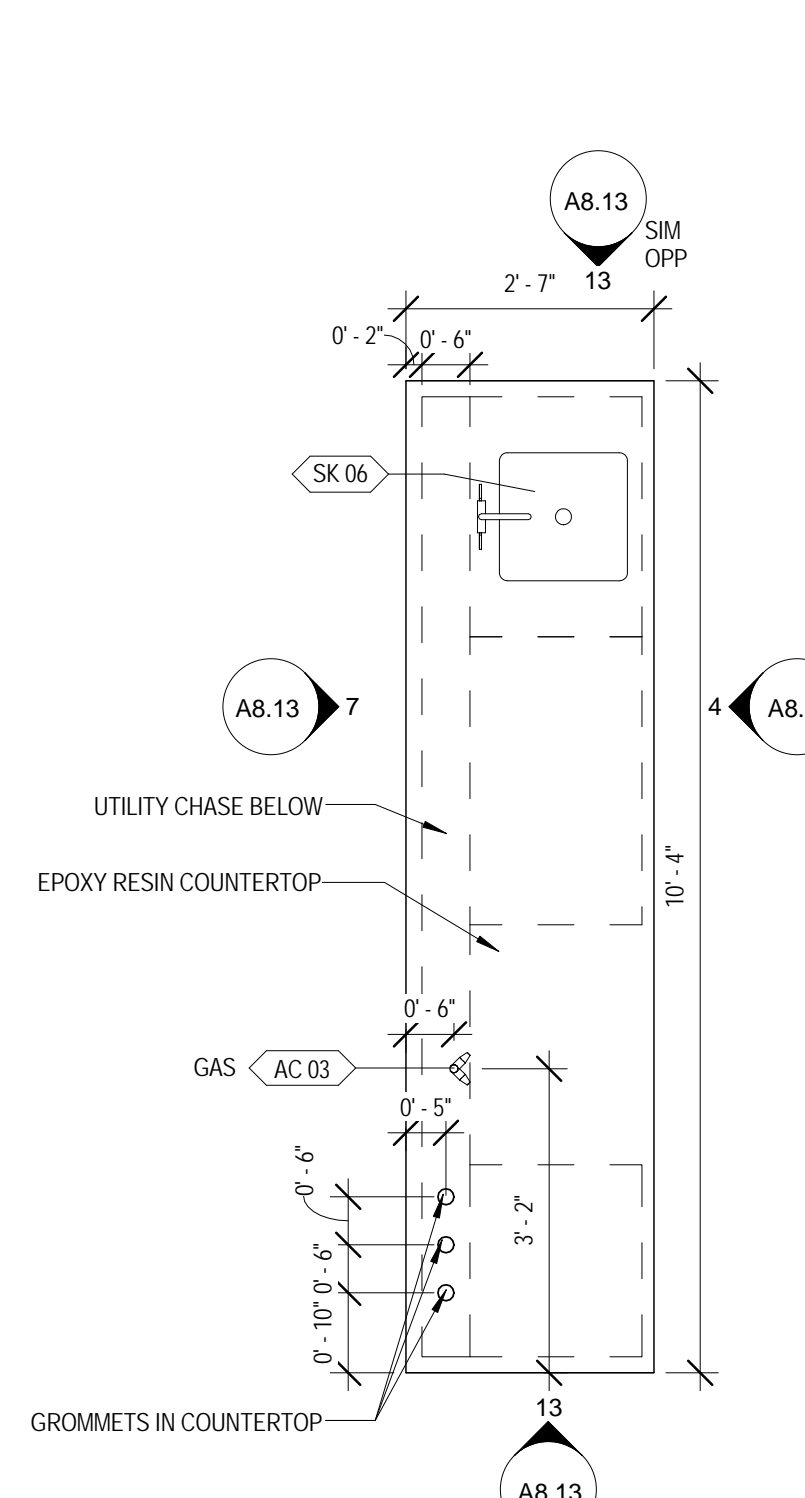
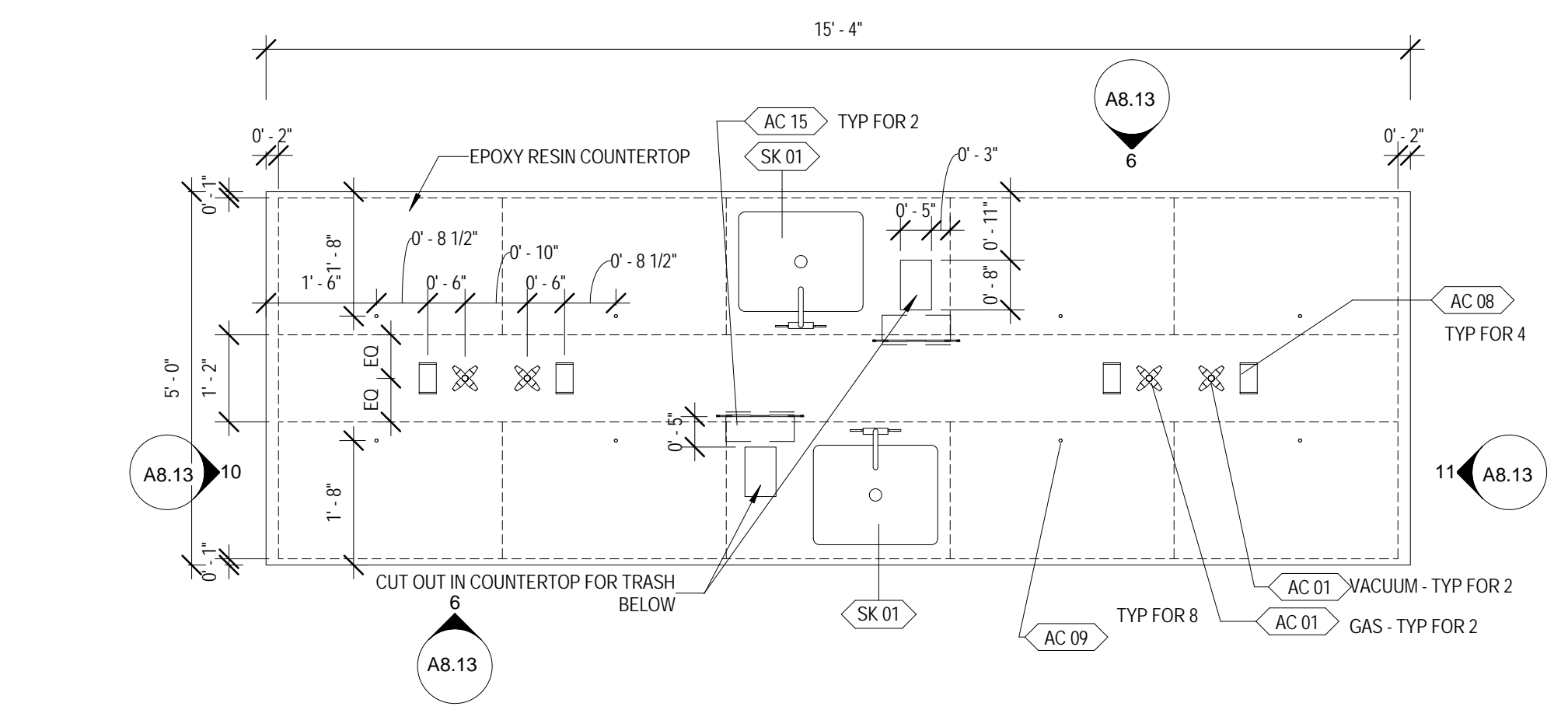
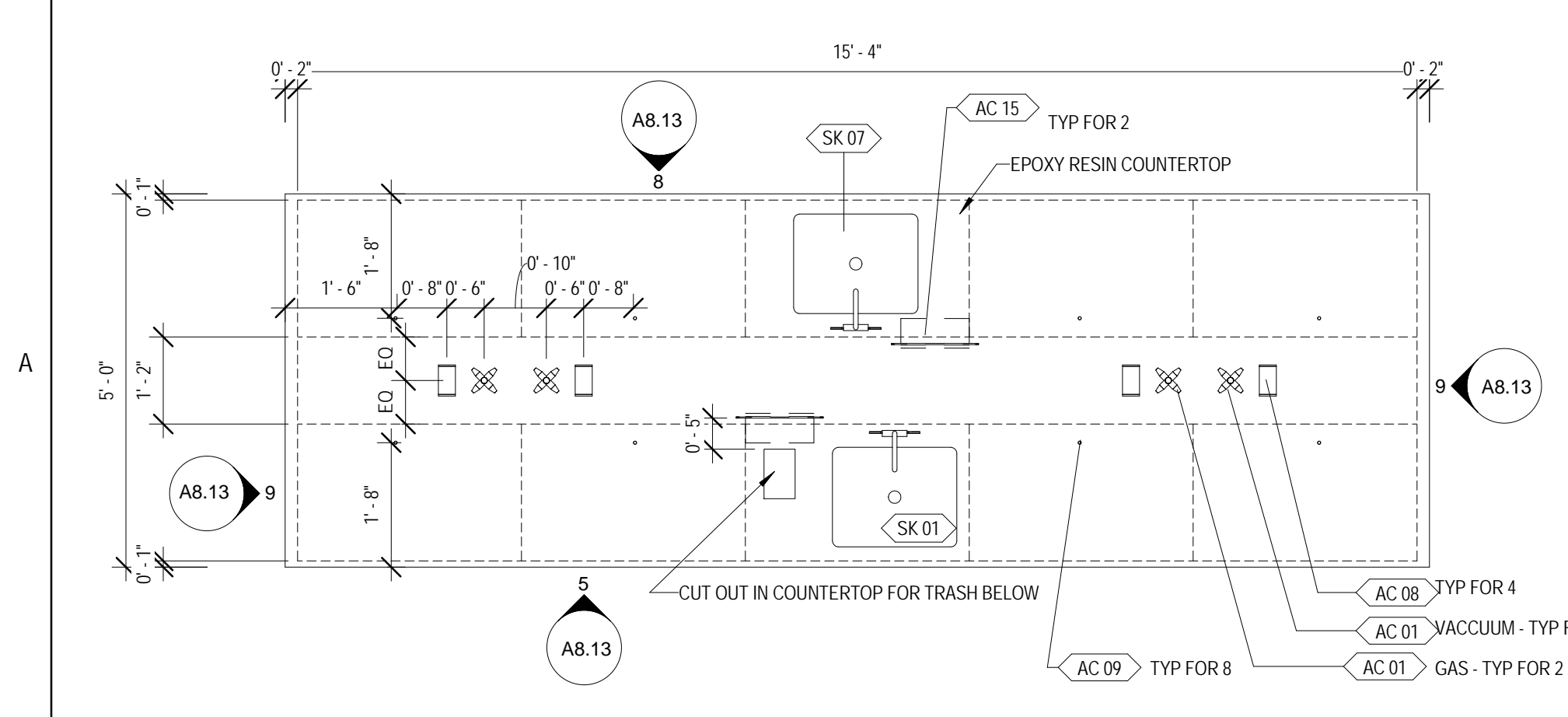
SHEET TITLE:

SCIENCE LABS - ENLARGED CASEWORK PLANS AND DETAILS

SHEET NUMBER:

A8.13

9/18/2015 9:36:20 AM





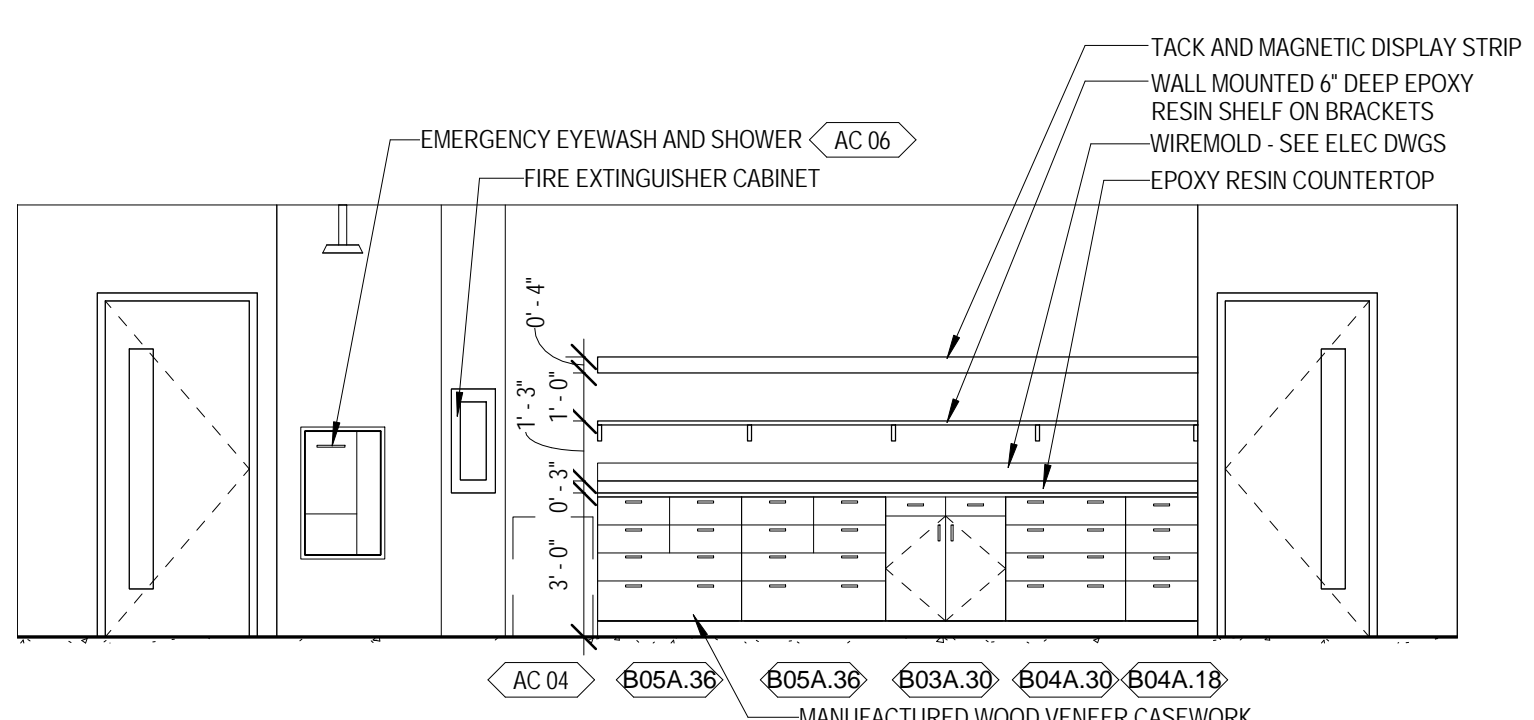
ARCHITECT OF RECORD
DEMIONA KEMPER ARCHITECTS
 125 N. HALSTED STREET, SUITE 301
 CHICAGO, IL 60661
 P: 312.496.0000

STRUCTURAL AND MEP/PFP ENGINEERING
KJWW ENGINEERING CONSULTANTS
 1100 WARRENVILLE RD. SUITE
 400W NAPERVILLE, IL 60563
 P: 630.527.2320

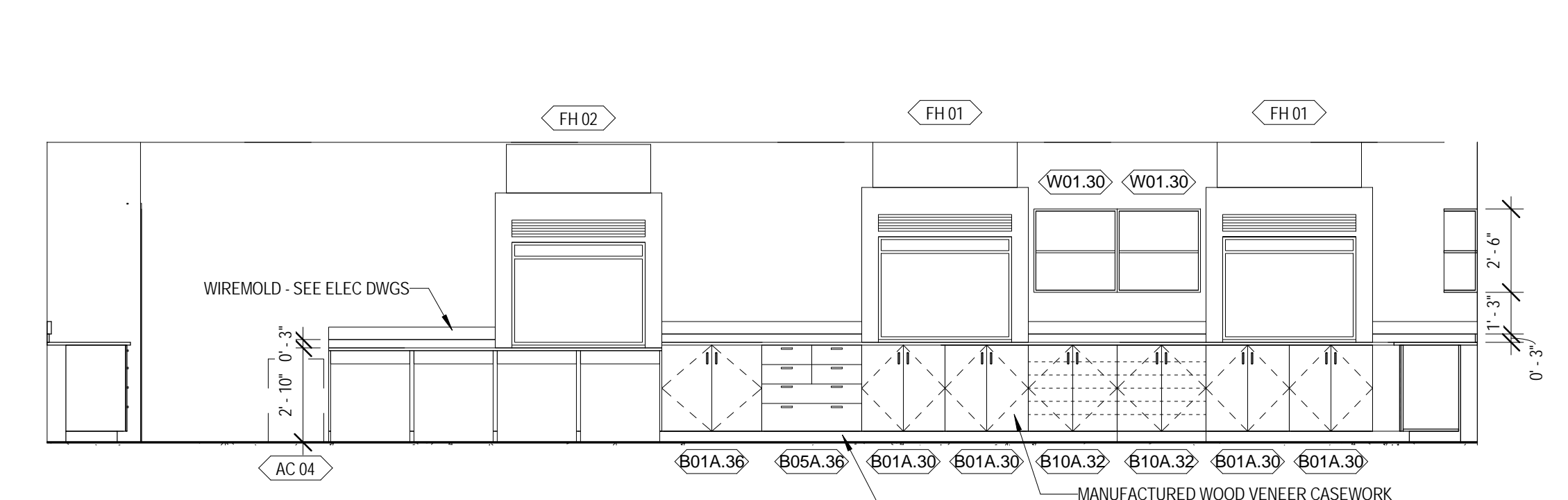
FOOD SERVICE CONSULTANT
CINI LITTLE INTERNATIONAL, INC.
 200 E. HOWARD AVE. SUITE 212
 DES PLAINES, IL 60018
 P: 847.298.0088

CONSTRUCTION MANAGER
JOLIET JUNIOR COLLEGE
 1215 HOUBOLT RD.
 JOLIET, IL 60431
 P: 815.280.2212

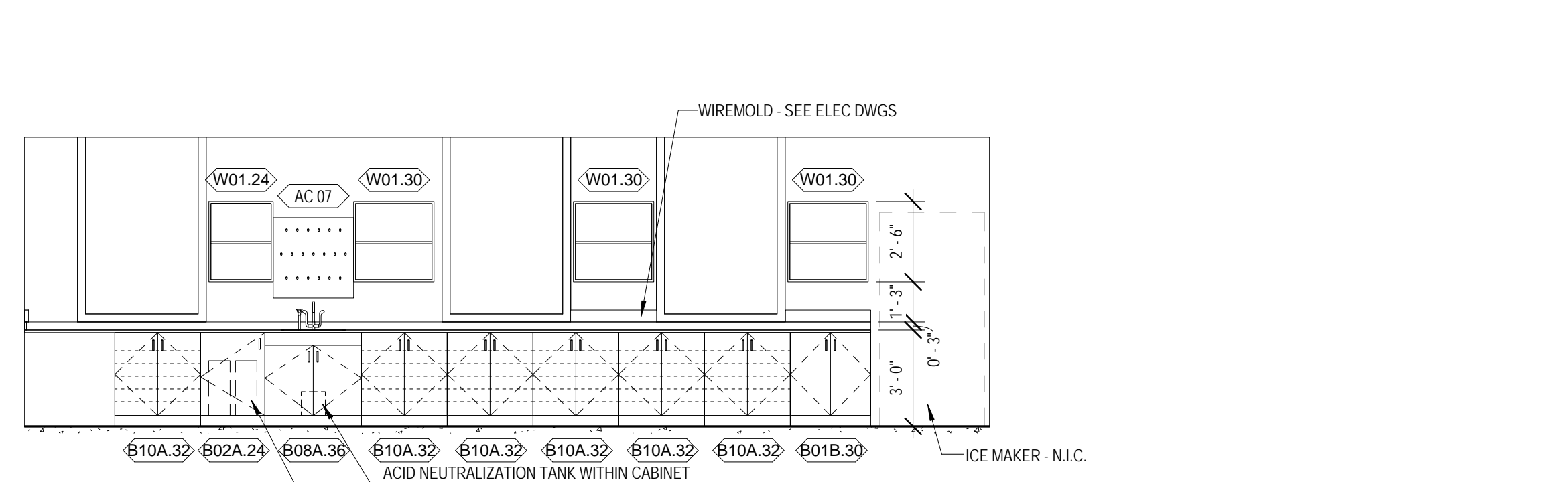
JOLIET JUNIOR COLLEGE
ROMEORVILLE CAMPUS EXPANSION
 1125 135th ST. ROMEORVILLE, IL 60446
 DKA PROJECT NO: 14-005



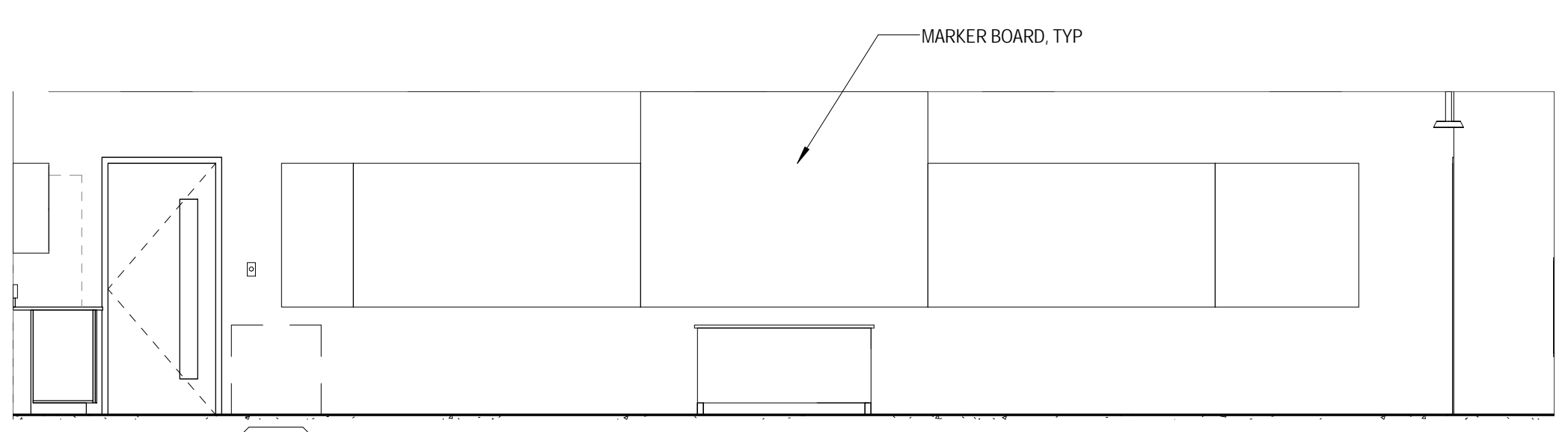
1 INTERIOR ELEVATION - CHEMISTRY LAB NORTH
 1/4" = 1'-0"



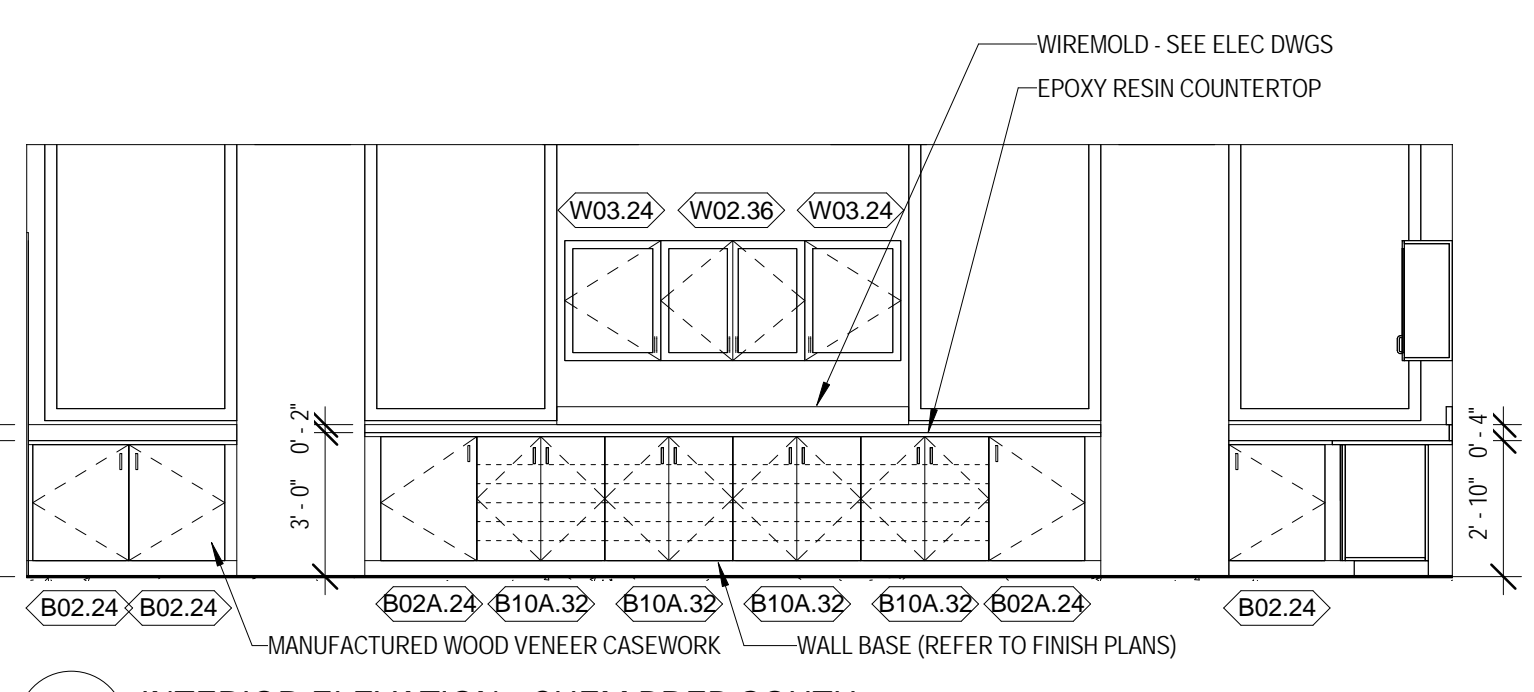
2 INTERIOR ELEVATION - CHEMISTRY LAB EAST
 1/4" = 1'-0"



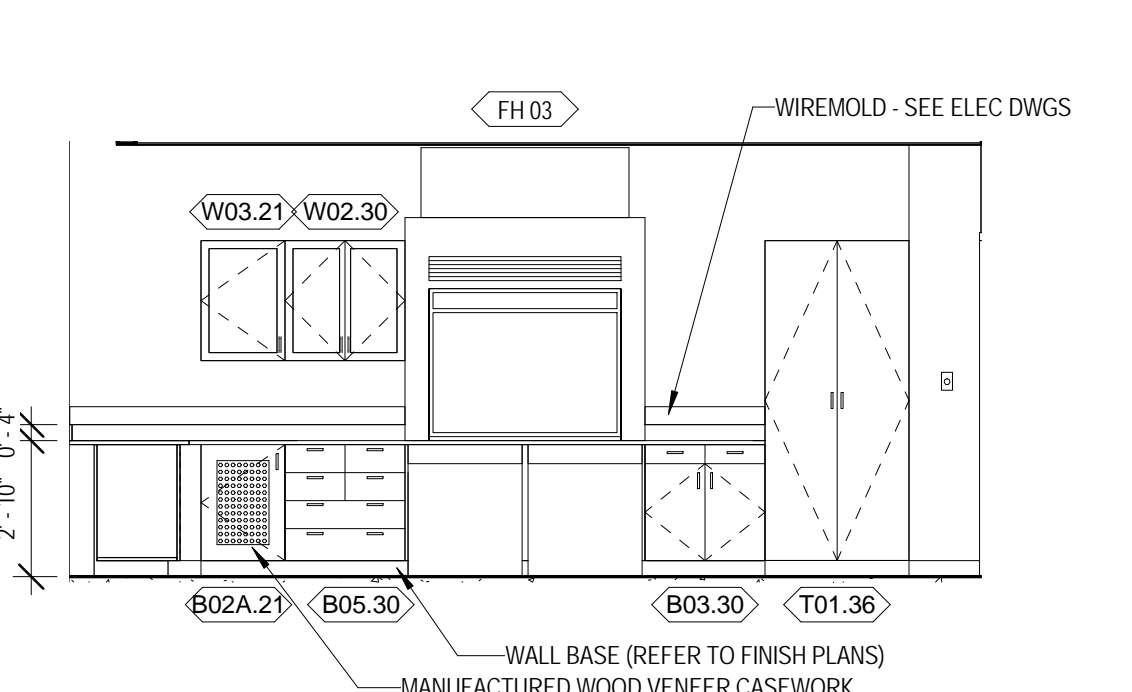
3 INTERIOR ELEVATION - CHEMISTRY LAB SOUTH
 1/4" = 1'-0"



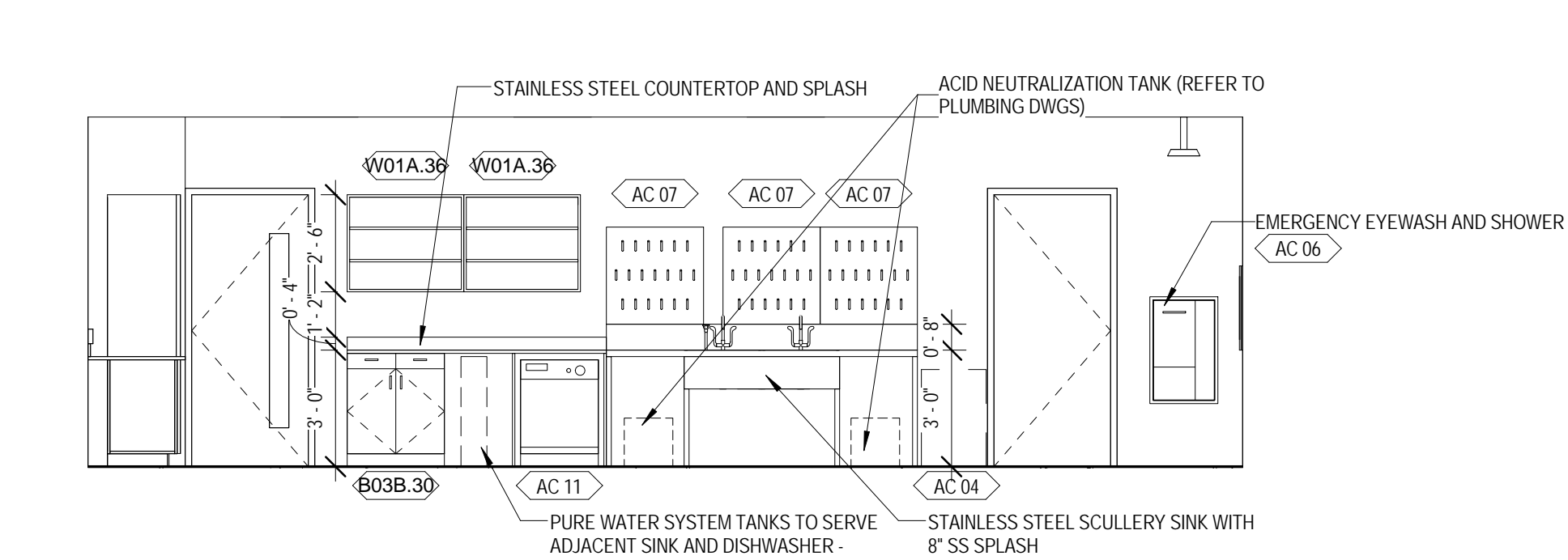
4 INTERIOR ELEVATION - CHEMISTRY LAB WEST
 1/4" = 1'-0"



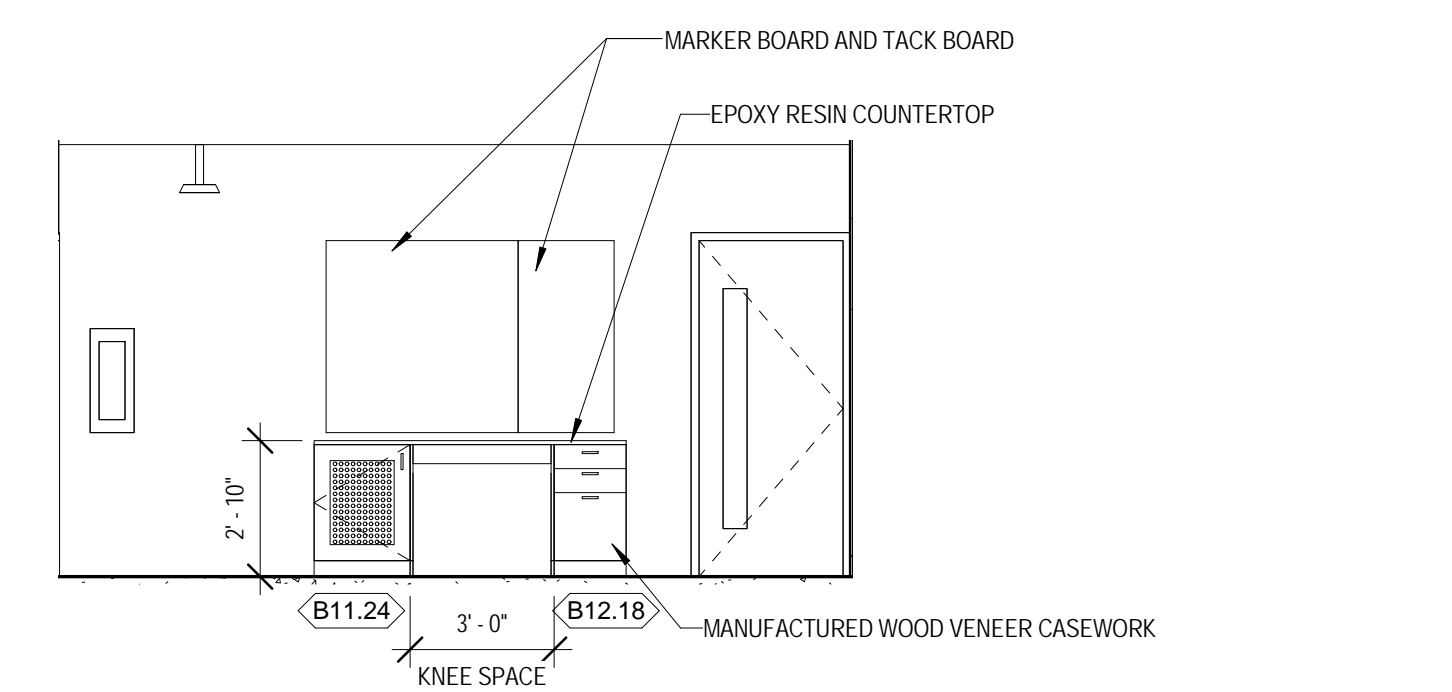
5 INTERIOR ELEVATION - CHEM PREP SOUTH
 1/4" = 1'-0"



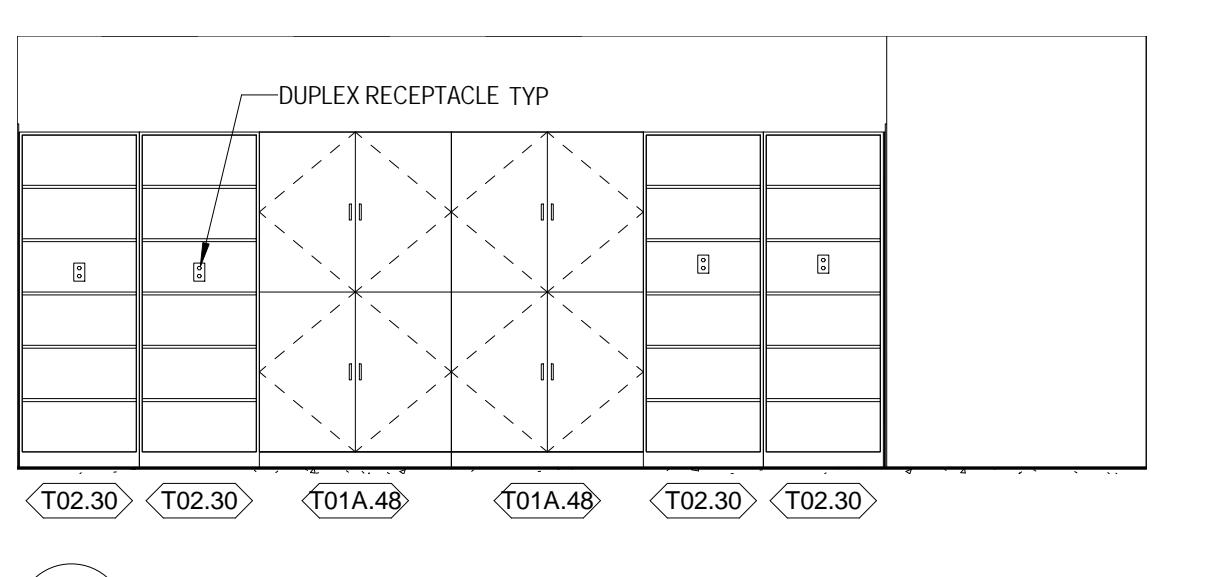
6 INTERIOR ELEVATION - CHEM PREP WEST
 1/4" = 1'-0"



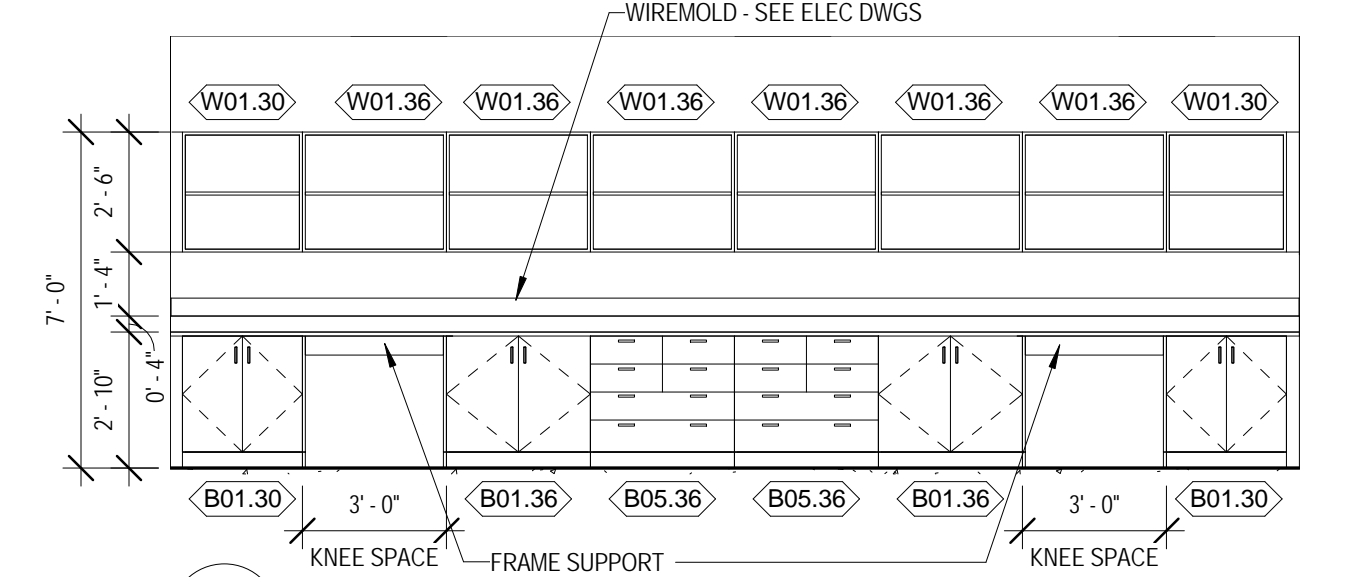
7 INTERIOR ELEVATION - CHEM PREP NORTH
 1/4" = 1'-0"



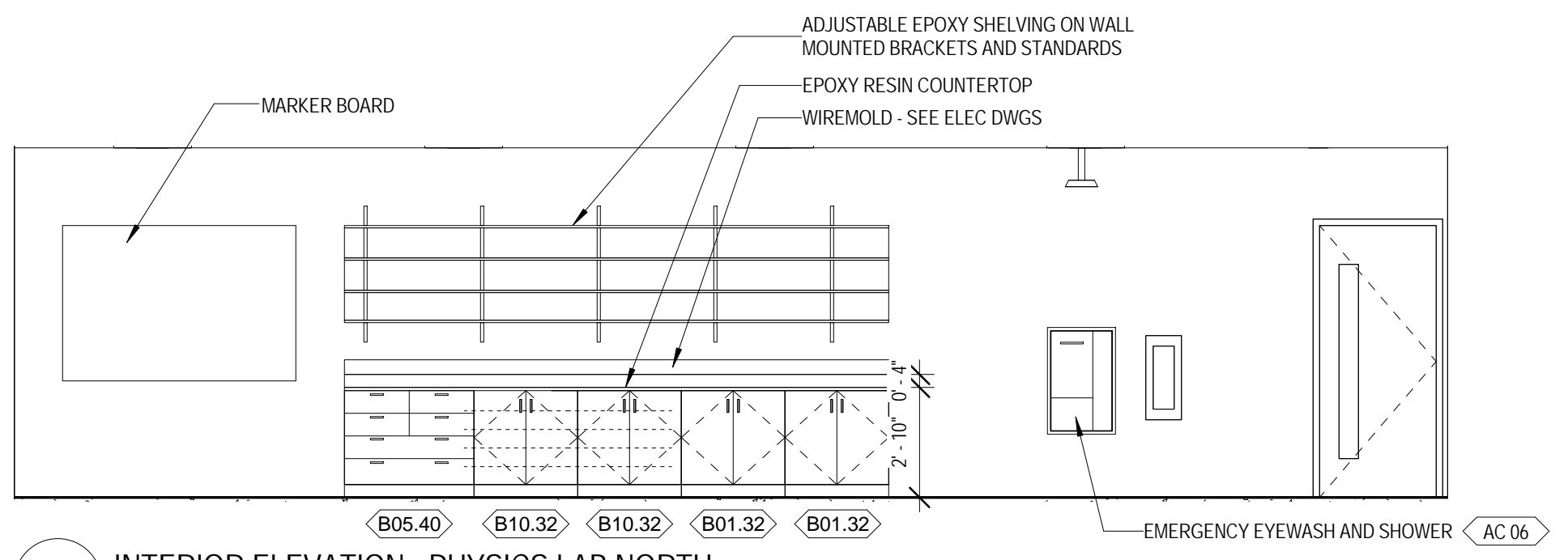
14 INTERIOR ELEVATION - CHEM PREP EAST
 1/4" = 1'-0"



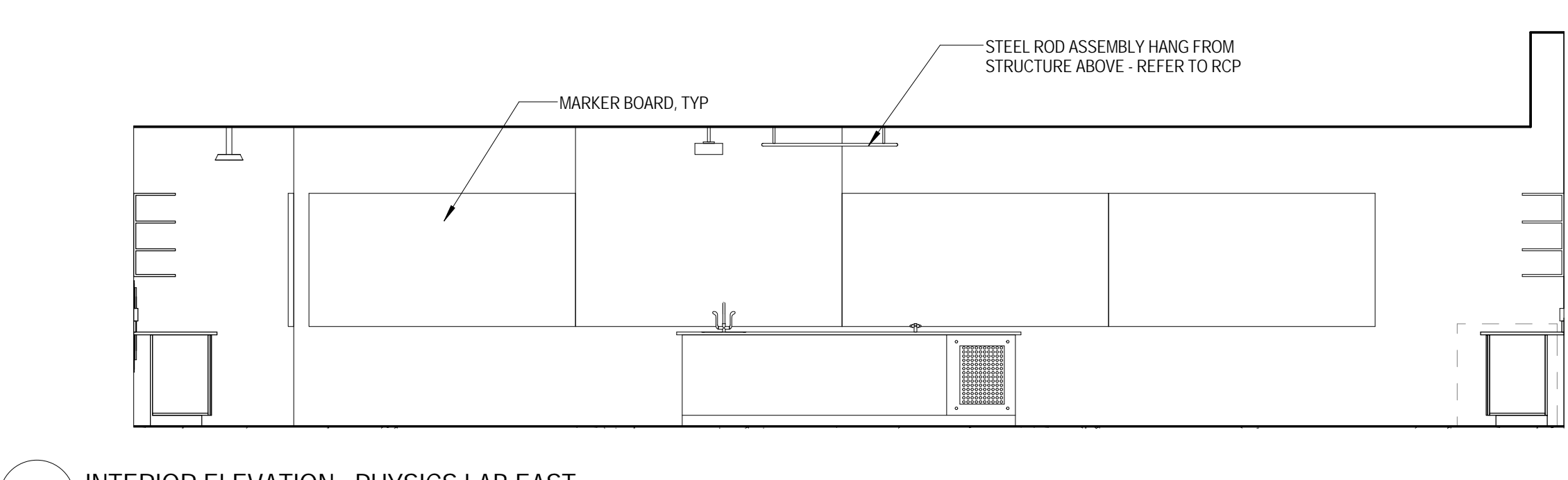
8 INTERIOR ELEVATION - PHYSICS PREP WEST
 1/4" = 1'-0"



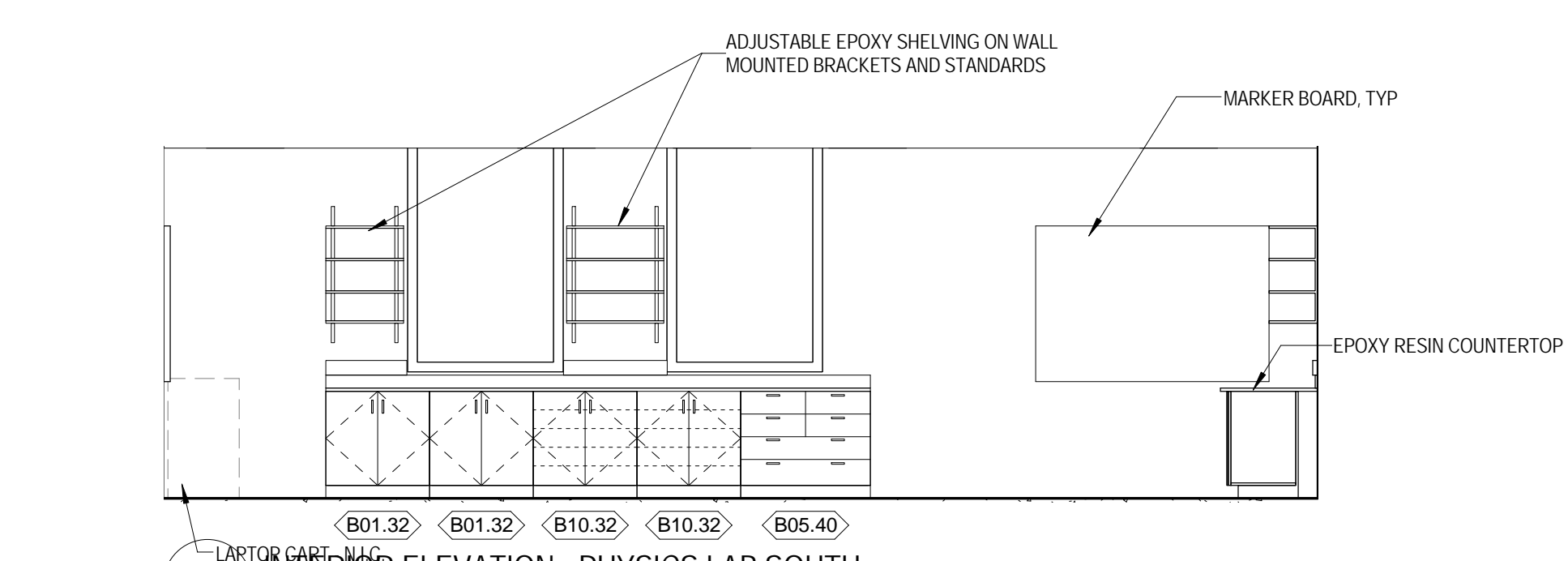
9 INTERIOR ELEVATION - PHYSICS PREP EAST
 1/4" = 1'-0"



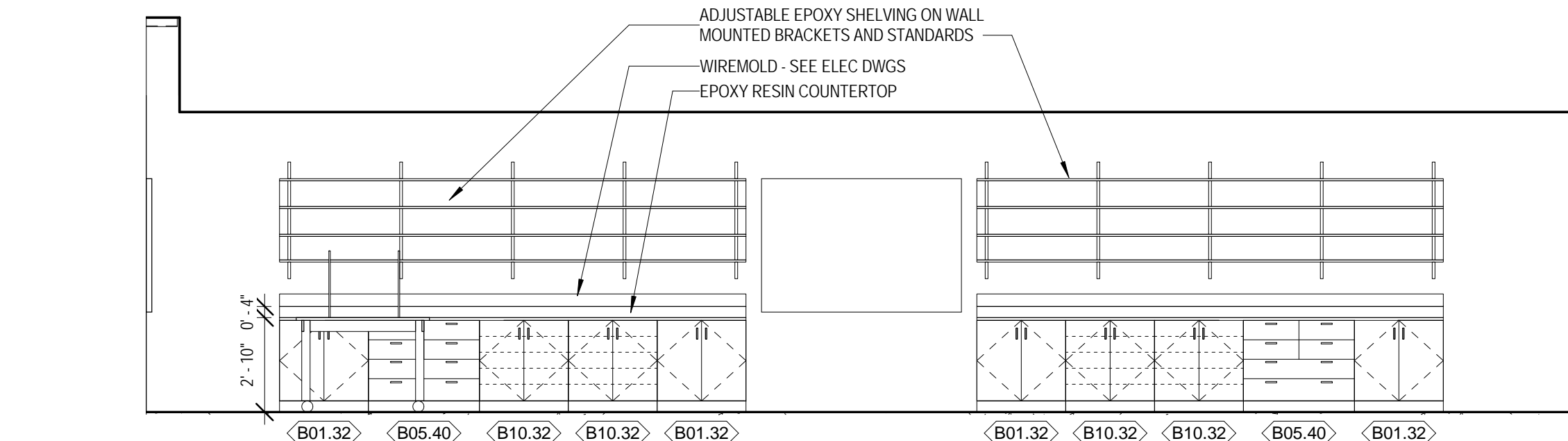
10 INTERIOR ELEVATION - PHYSICS LAB NORTH
 1/4" = 1'-0"



11 INTERIOR ELEVATION - PHYSICS LAB EAST
 1/4" = 1'-0"



12 INTERIOR ELEVATION - PHYSICS LAB SOUTH
 1/4" = 1'-0"



13 INTERIOR ELEVATION - PHYSICS LAB WEST
 1/4" = 1'-0"

KEY PLAN:

SHEET STATUS: 9/21/15

ISSUED FOR CONSTRUCTION

NO.	DESCRIPTION:	DATE:

SHEET TITLE:

SCIENCE LABS - INTERIOR ELEVATIONS

SHEET NUMBER:

A8.14

9/18/2015 9:36:29 AM



ARCHITECT OF RECORD
 DEMONICA KEMPER ARCHITECTS
 125 N. HALSTED STREET, SUITE 301
 CHICAGO, IL 60661
 P: 312.496.0000

STRUCTURAL AND MEP/PFP ENGINEERING
 KJWW ENGINEERING CONSULTANTS
 1100 WARRENVILLE RD. SUITE
 400W NAPERVILLE, IL 60563
 P: 630.527.2320

FOOD SERVICE CONSULTANT
 CINI LITTLE INTERNATIONAL, INC.
 200 E. HOWARD AVE. SUITE 212
 DES PLAINES, IL 60018
 P: 847.298.0088

CONSTRUCTION MANAGER
 JOLIET JUNIOR COLLEGE
 1215 HOUBOLT RD.
 JOLIET, IL 60431
 P: 815.280.2212

**JOLIET JUNIOR COLLEGE
 ROMEOVILLE CAMPUS EXPANSION**
 1125 135th ST. ROMEOVILLE, IL 60446
 DKA PROJECT NO: 14-005

KEY PLAN:

SHEET STATUS: 9/21/15
**ISSUED FOR
 CONSTRUCTION**

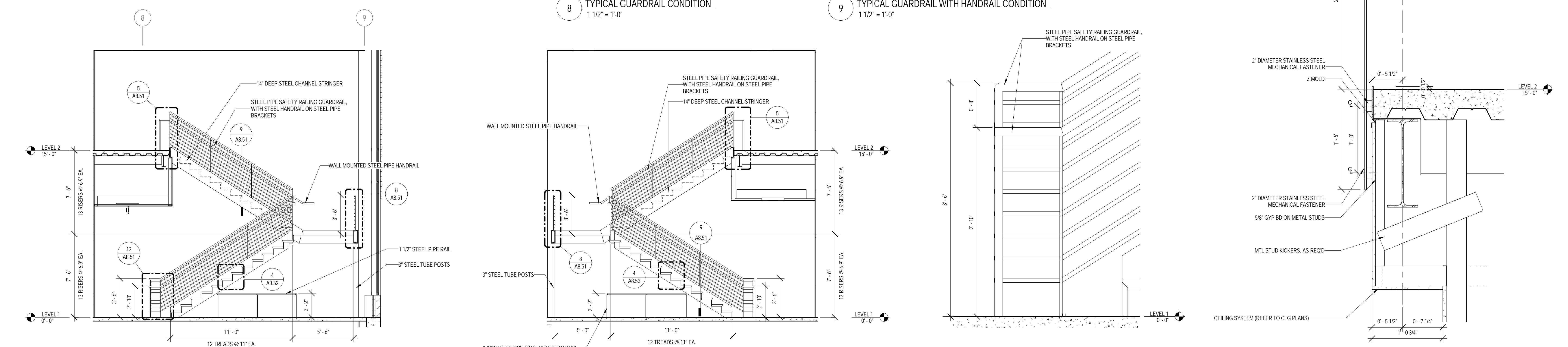
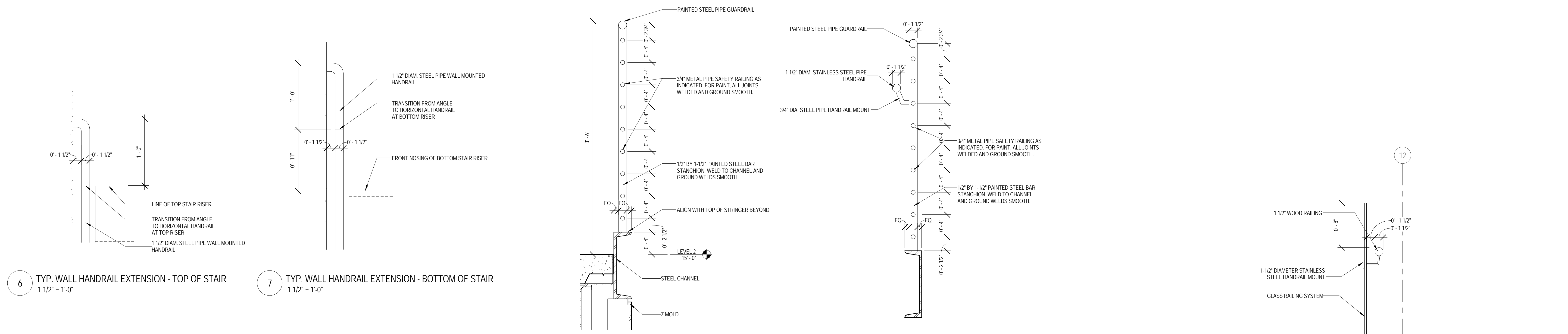
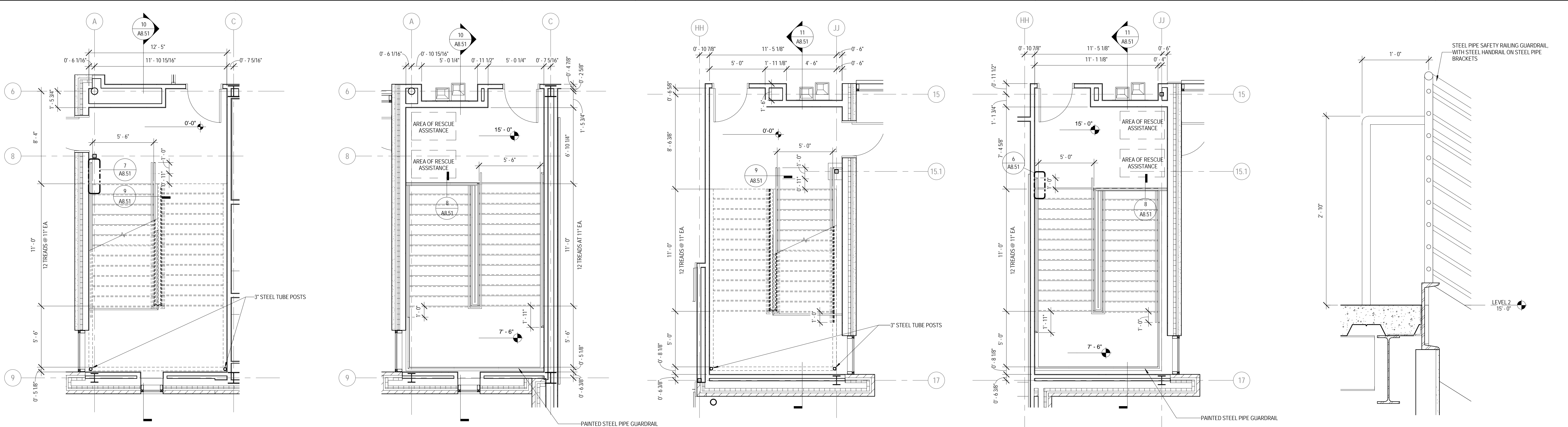
NO.	DESCRIPTION:	DATE:

SHEET TITLE:
**ENLARGED STAIR
 PLANS, SECTIONS,
 AND DETAILS**

SHEET NUMBER:

A8.51

9/18/2015 9:36:38 AM





ARCHITECT OF RECORD
 DEMONICA KEMPER ARCHITECTS
 125 N. HALSTED STREET, SUITE 301
 CHICAGO, IL 60661
 P: 312.496.0000

STRUCTURAL AND MEP/PFP ENGINEERING
 KJWW ENGINEERING CONSULTANTS
 1100 WARRENVILLE RD. SUITE
 400W NAPERVILLE, IL 60563
 P: 630.527.2320

FOOD SERVICE CONSULTANT
 CINI LITTLE INTERNATIONAL, INC.
 200 E. HOWARD AVE. SUITE 212
 DES PLAINES, IL 60018
 P: 847.298.0088

CONSTRUCTION MANAGER
 JOLIET JUNIOR COLLEGE
 1215 HOUBOLT RD.
 JOLIET, IL 60431
 P: 815.280.2212

**JOLIET JUNIOR COLLEGE
 ROMEOVILLE CAMPUS EXPANSION**
 1125 135th ST. ROMEOVILLE, IL 60446
 DKA PROJECT NO: 14-005

KEY PLAN:

SHEET STATUS: 9/21/15

**ISSUED FOR
 CONSTRUCTION**

NO.	DESCRIPTION:	DATE:

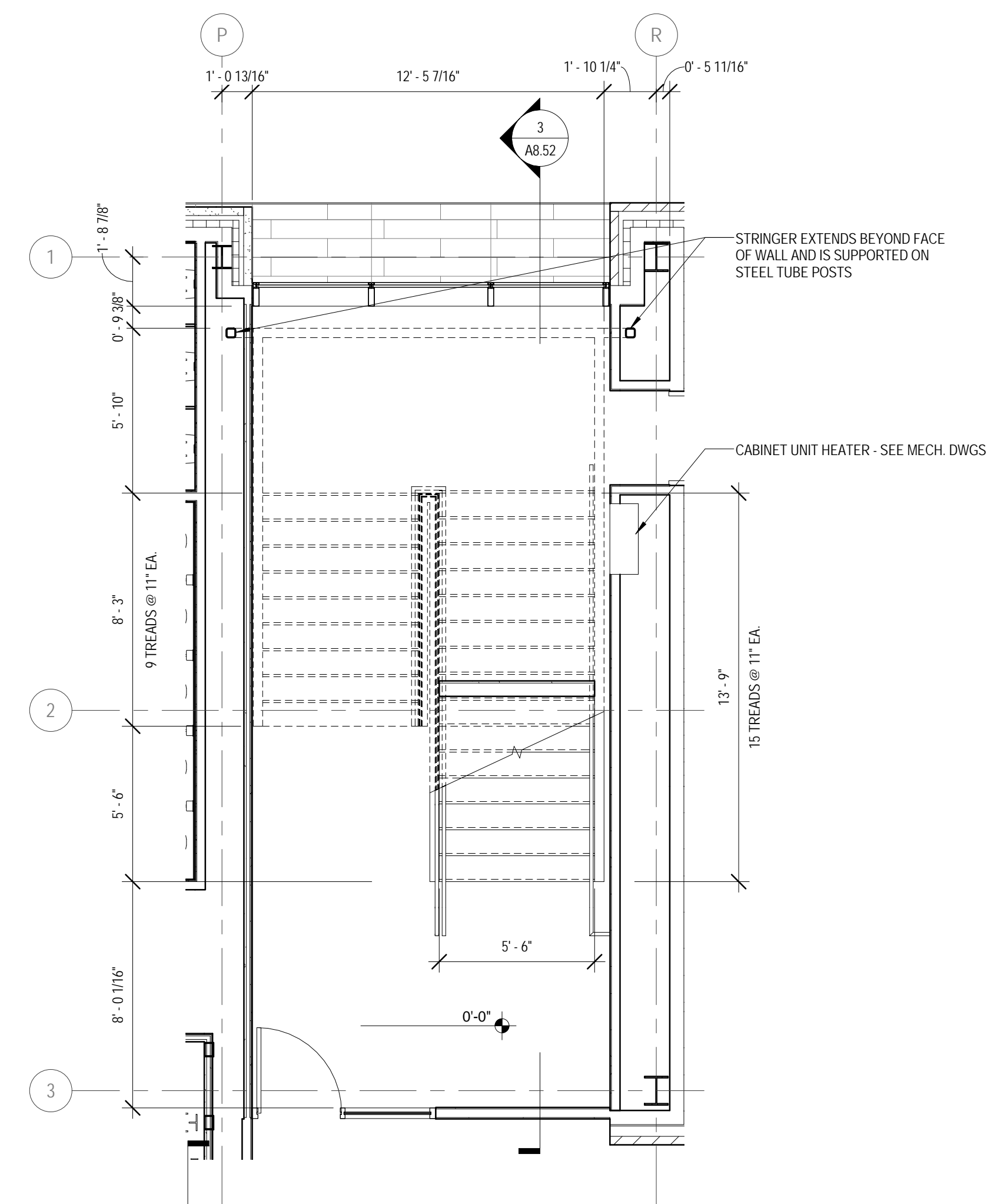
SHEET TITLE:

**ENLARGED STAIR
 PLANS, SECTIONS,
 AND DETAILS**

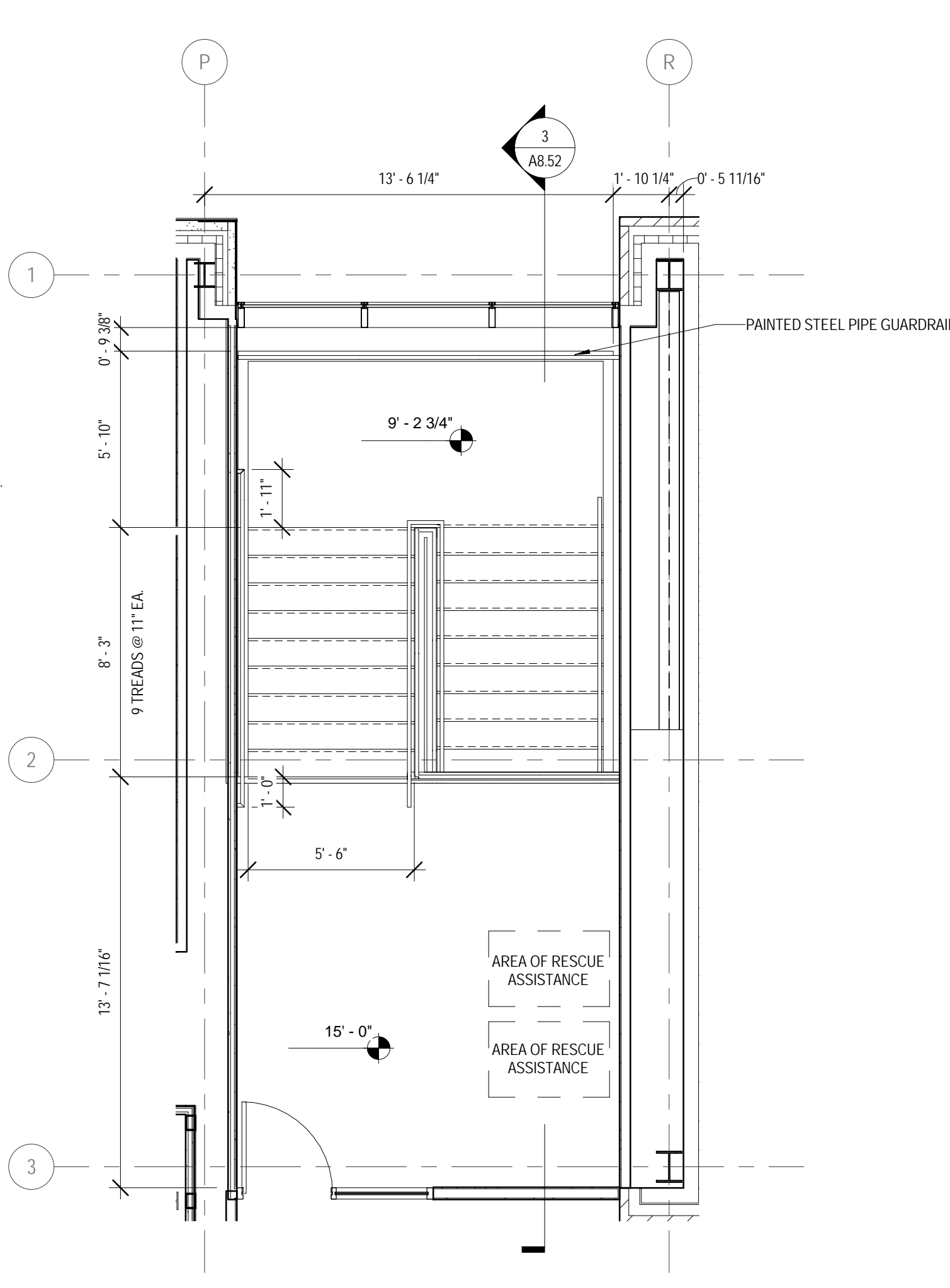
SHEET NUMBER:

A8.52

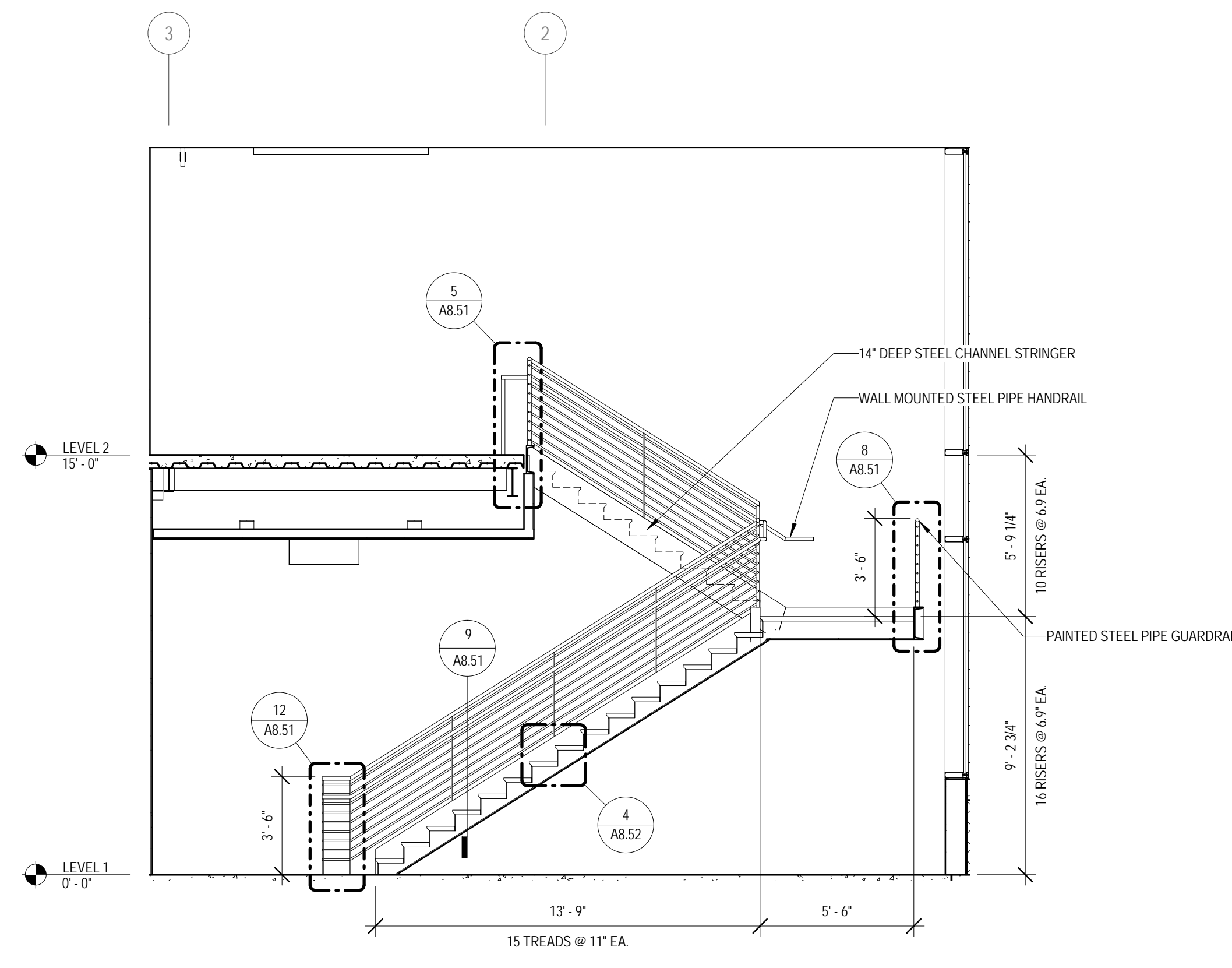
9/18/2015 9:36:47 AM



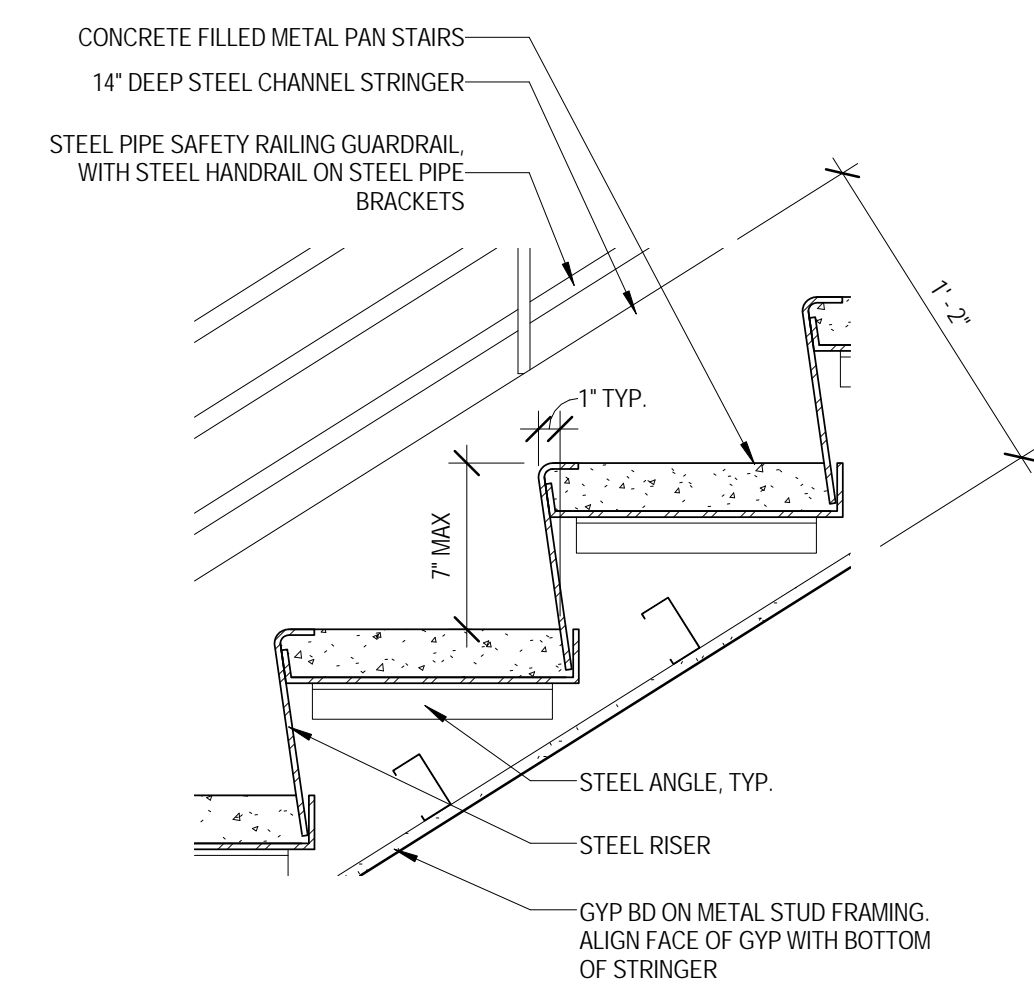
1 NORTH STAIR PLAN - LEVEL 1
 1/4" = 1'-0"



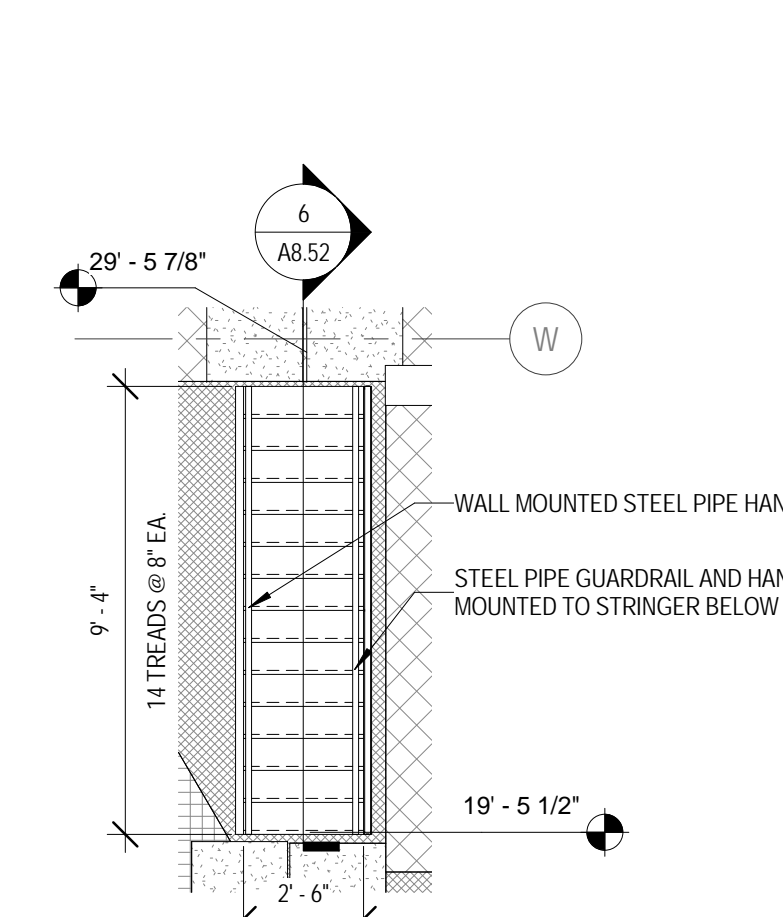
2 NORTH STAIR PLAN - LEVEL 2
 1/4" = 1'-0"



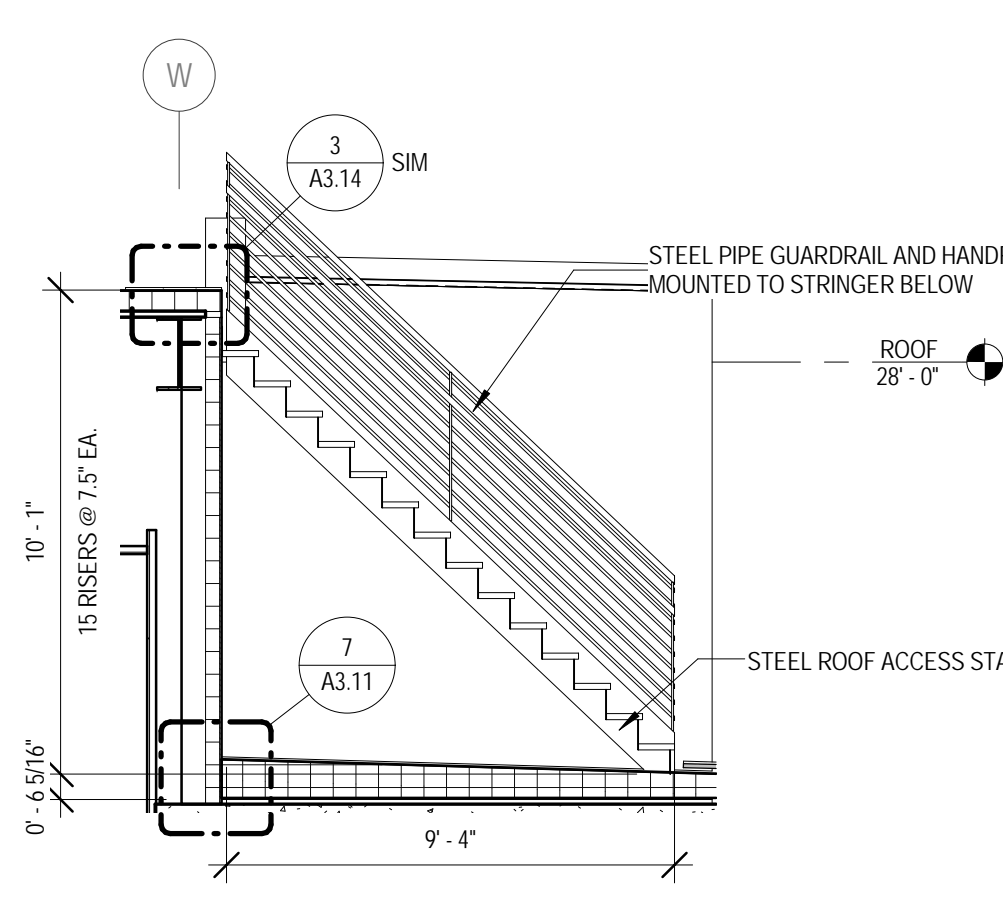
3 NORTH STAIR SECTION - 1
 1/4" = 1'-0"



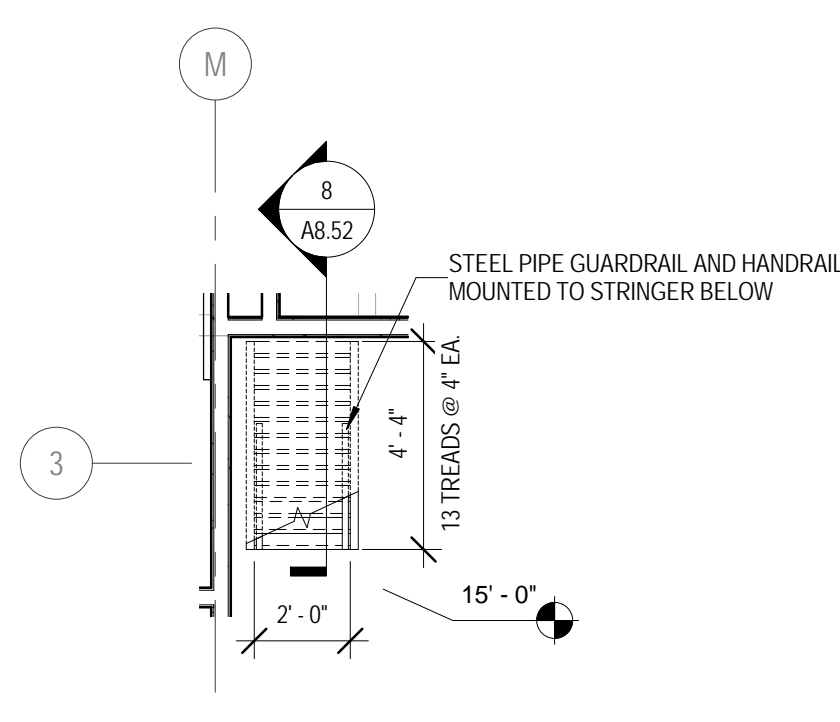
4 TYPICAL TREAD/NOSING DETAIL
 1 1/2" = 1'-0"



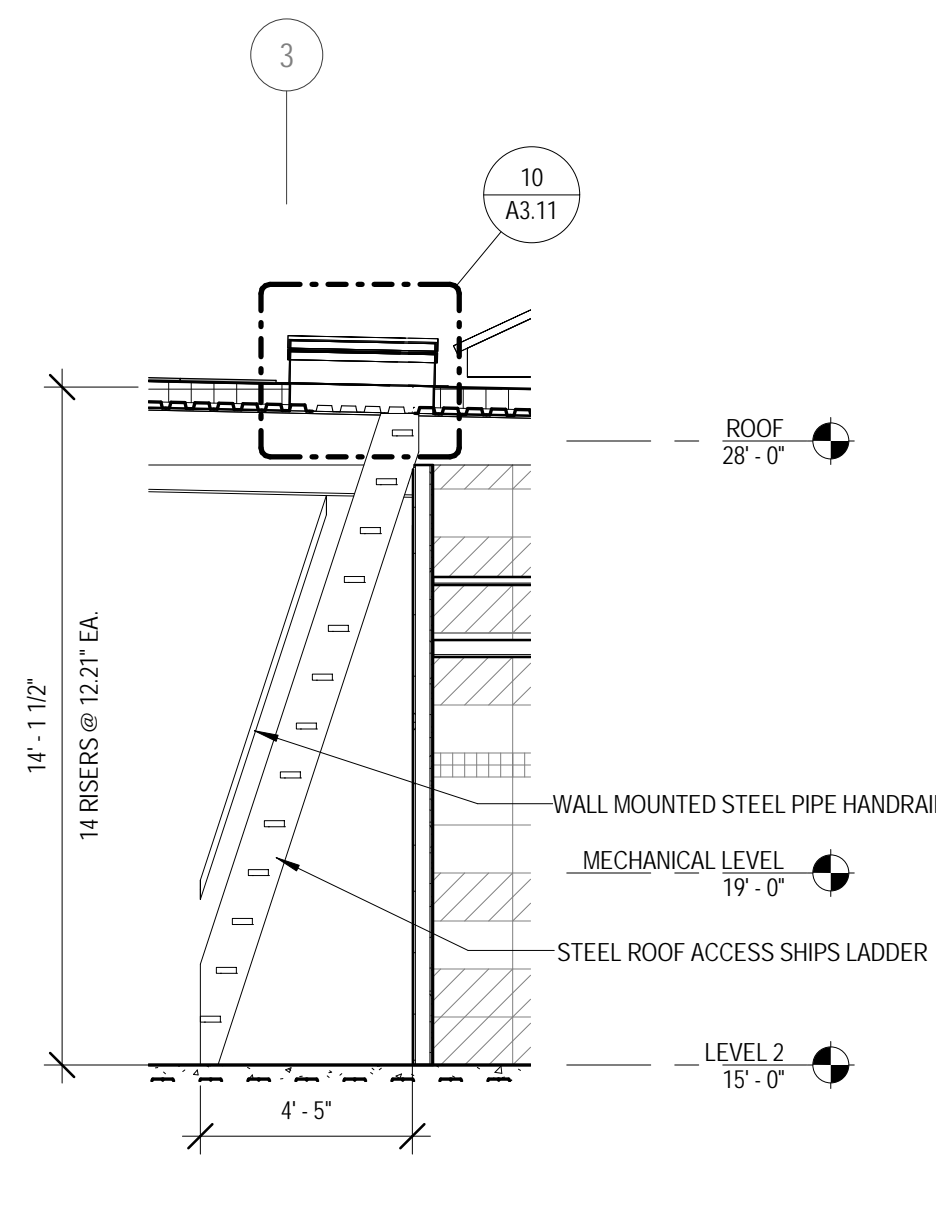
5 MECHANICAL WELL STAIR
 1/4" = 1'-0"



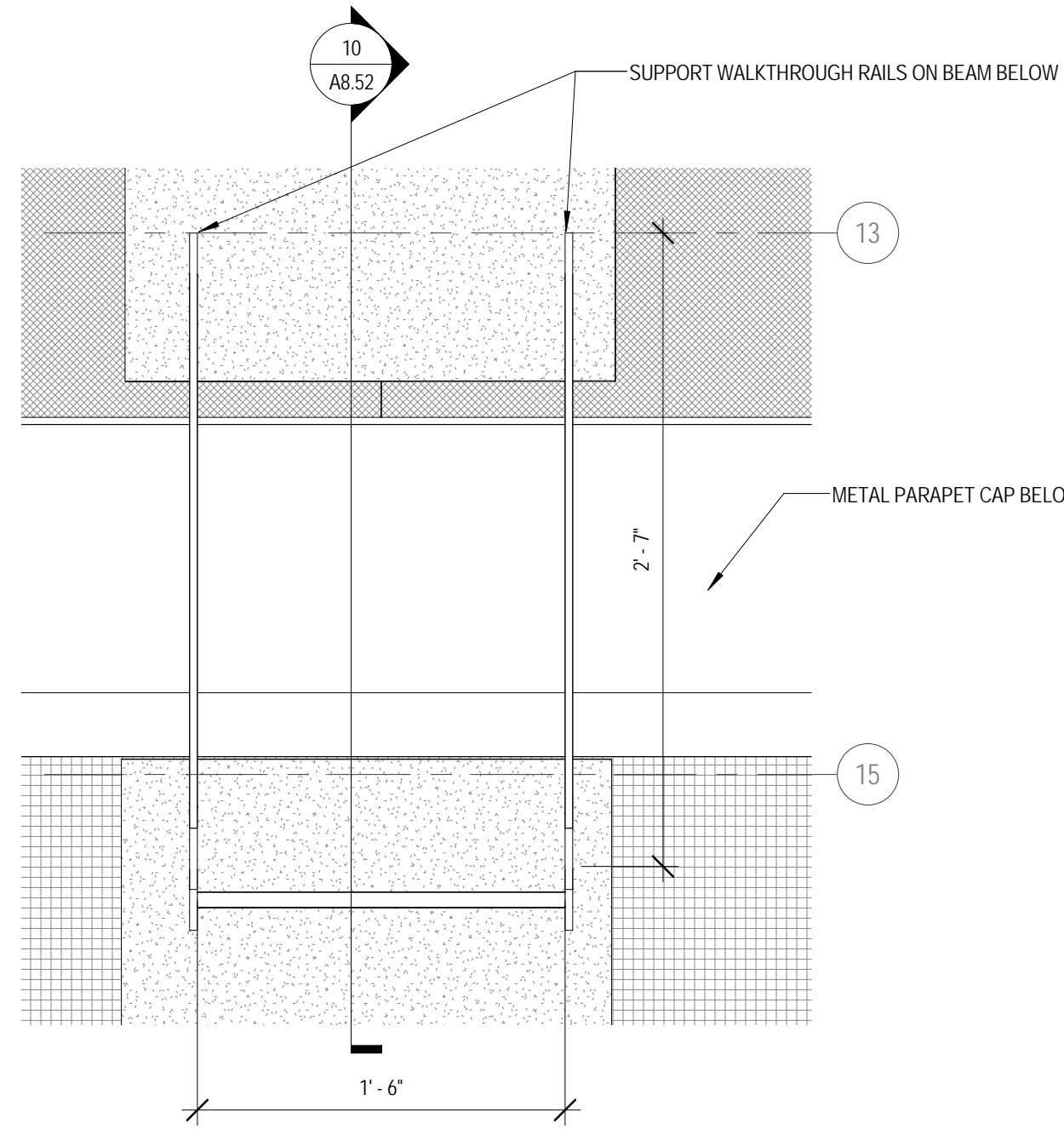
6 MECHANICAL WELL STAIR
 1/4" = 1'-0"



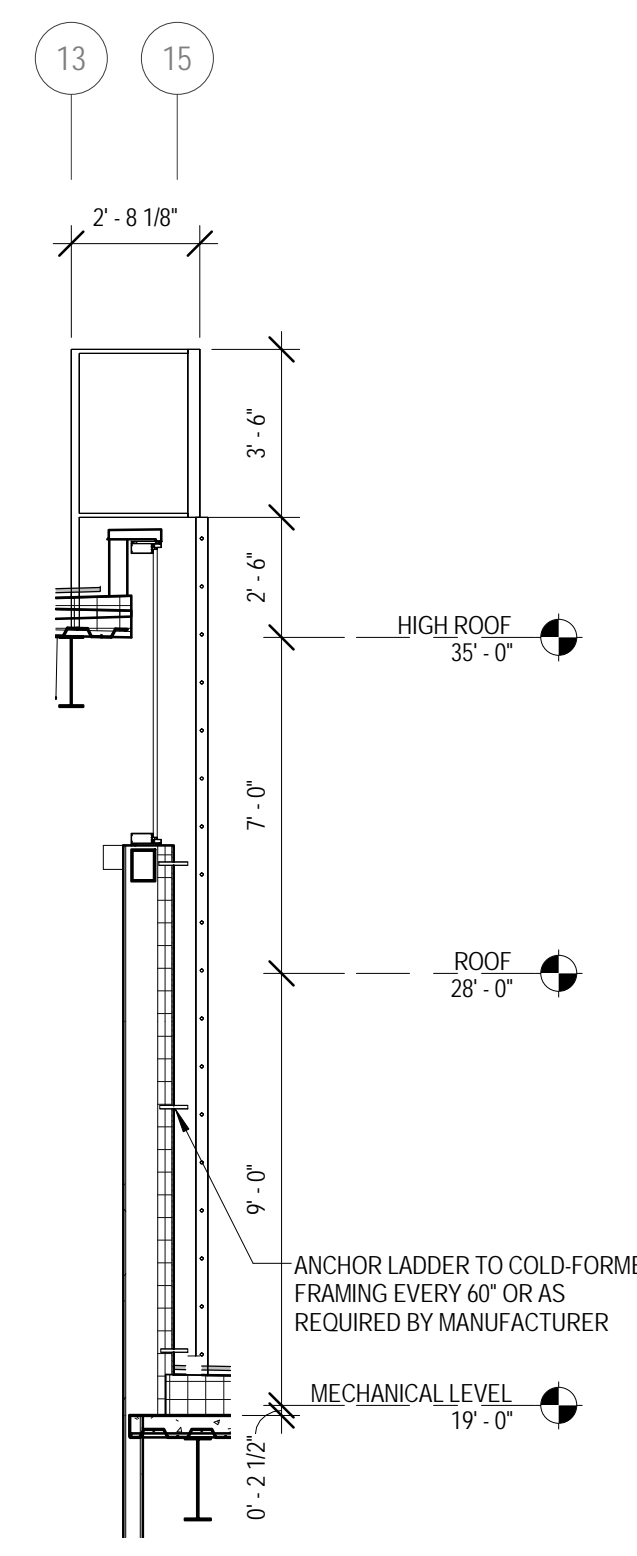
7 ROOF ACCESS SHIPS LADDER
 1/4" = 1'-0"



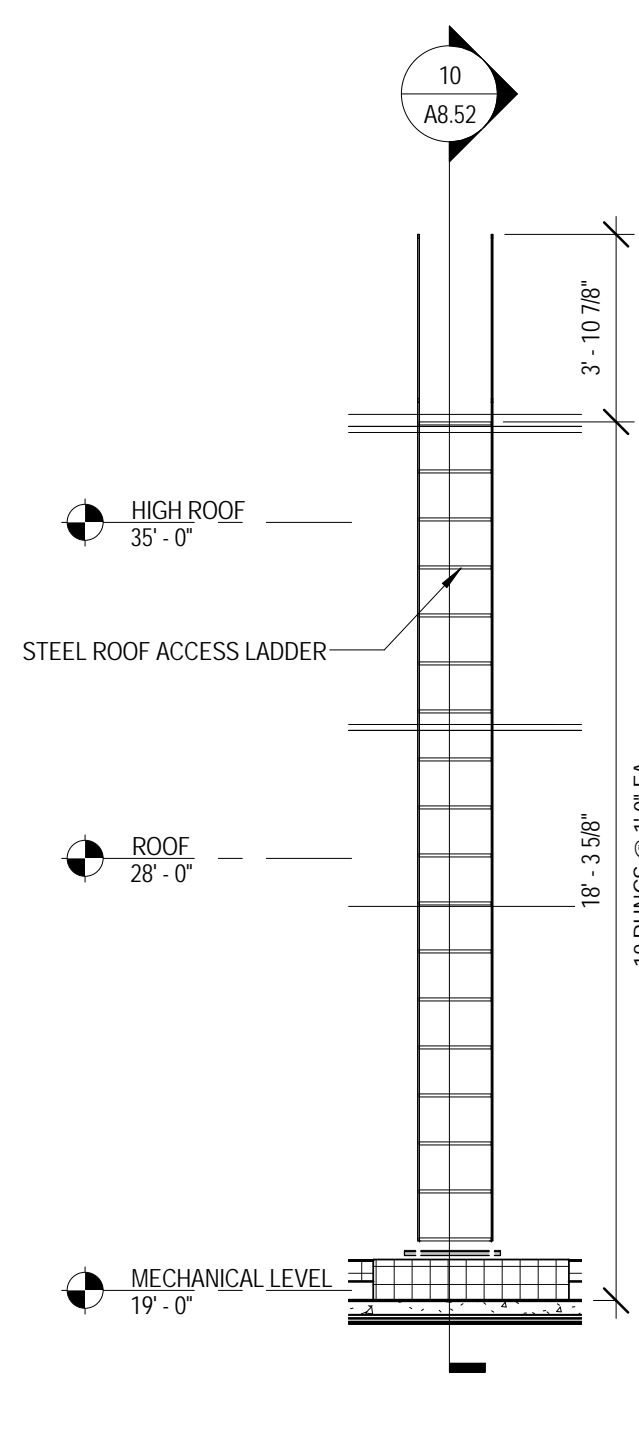
8 ROOF ACCESS SHIPS LADDER
 1/4" = 1'-0"



9 HIGH ROOF ACCESS LADDER
 1 1/2" = 1'-0"



10 HIGH ROOF ACCESS LADDER SECTION
 1/4" = 1'-0"



11 HIGH ROOF ACCESS LADDER ELEVATION
 1/4" = 1'-0"



ARCHITECT OF RECORD
DEMIONA KEMPER ARCHITECTS
 125 N. HALSTED STREET, SUITE 301
 CHICAGO, IL 60661
 P: 312.496.0000

STRUCTURAL AND MEP/PFP ENGINEERING
KJWW ENGINEERING CONSULTANTS
 1100 WARRENVILLE RD. SUITE
 400W NAPERVILLE, IL 60563
 P: 630.527.2320

FOOD SERVICE CONSULTANT
CINI LITTLE INTERNATIONAL, INC.
 200 E. HOWARD AVE. SUITE 212
 DES PLAINES, IL 60018
 P: 847.298.0088

CONSTRUCTION MANAGER
JOLIET JUNIOR COLLEGE
 1215 HOUBOLT RD.
 JOLIET, IL 60431
 P: 815.280.2212

JOLIET JUNIOR COLLEGE
ROMEIOVILLE CAMPUS EXPANSION
 1125 135th ST. ROMEIOVILLE, IL 60446
 DKA PROJECT NO: 14-005

KEY PLAN:

SHEET STATUS: 9/21/15
ISSUED FOR CONSTRUCTION

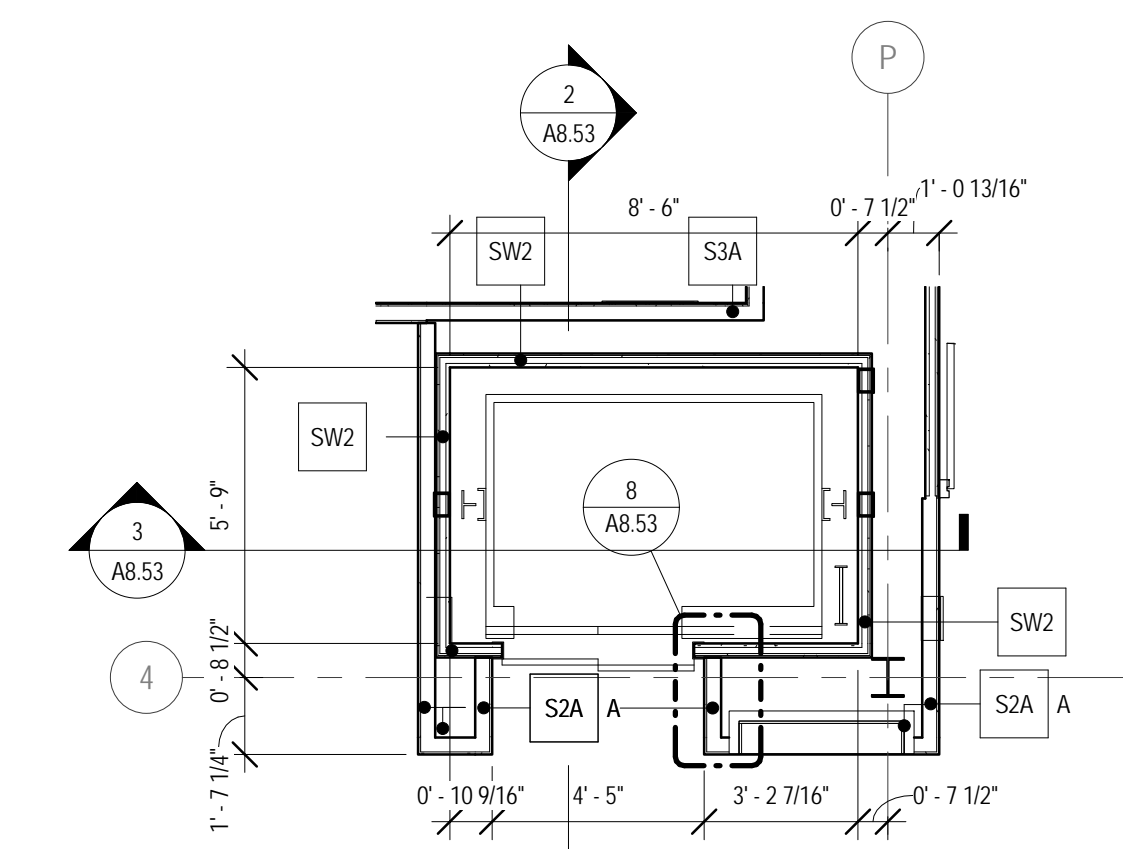
NO.	DESCRIPTION:	DATE:

SHEET TITLE:
ENLARGED STAIR AND ELEVATOR PLANS, SECTIONS, AND DETAILS

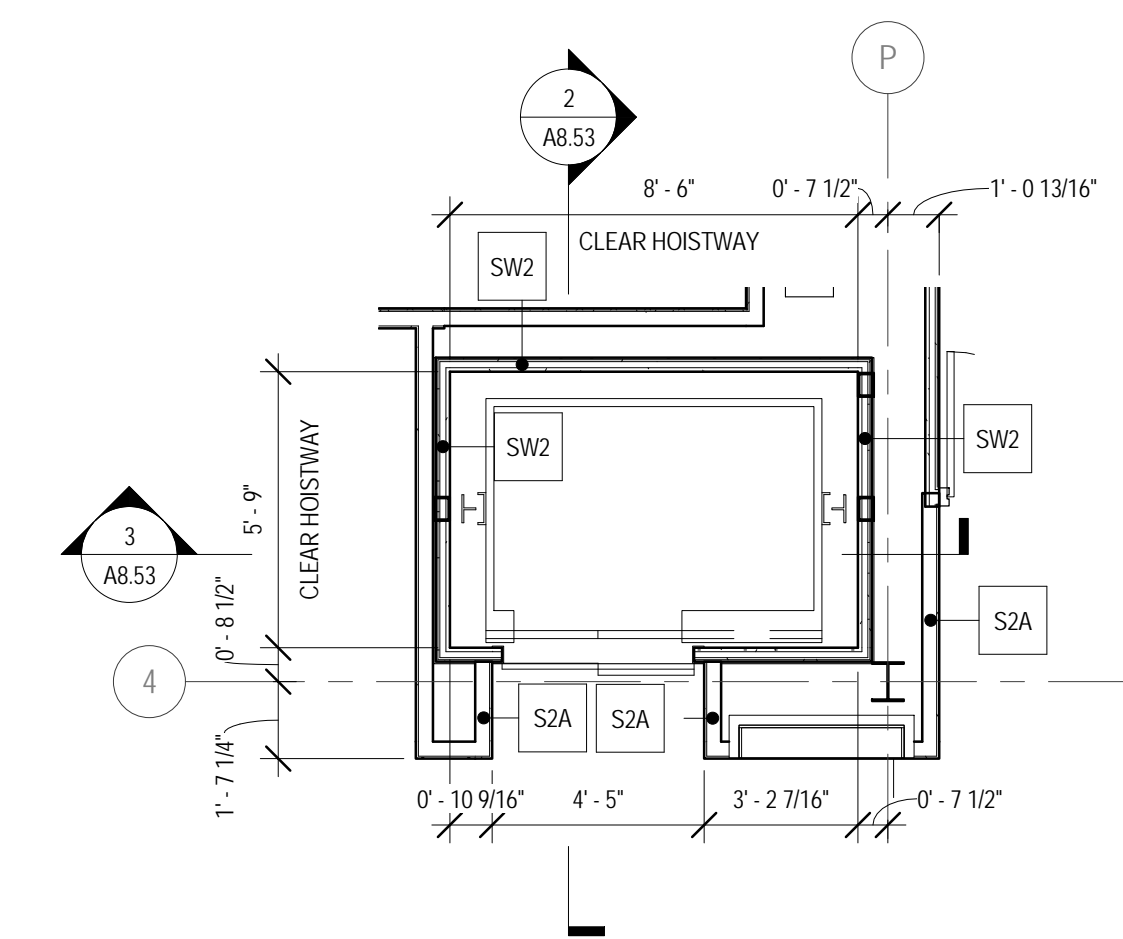
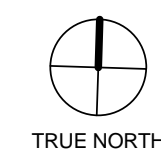
SHEET NUMBER:

A8.53

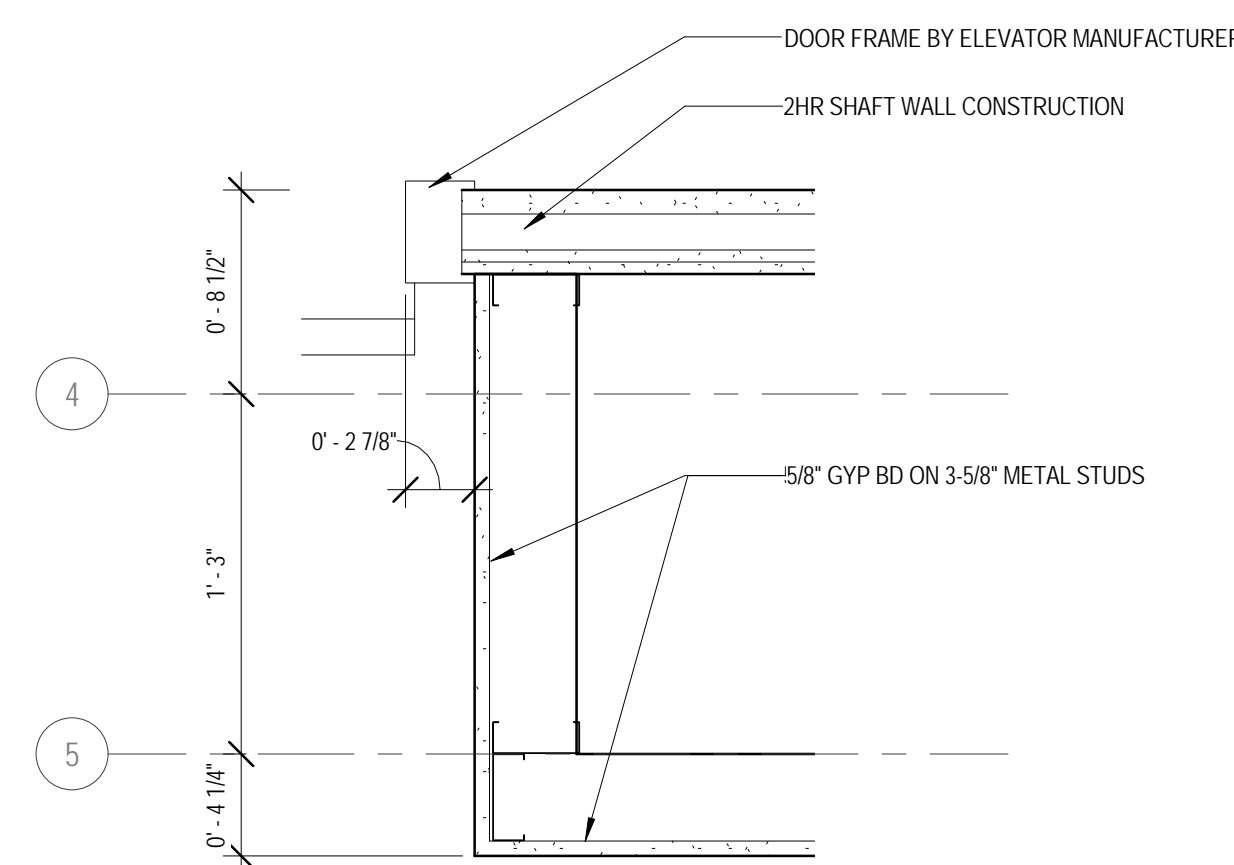
9/18/2015 9:36:53 AM



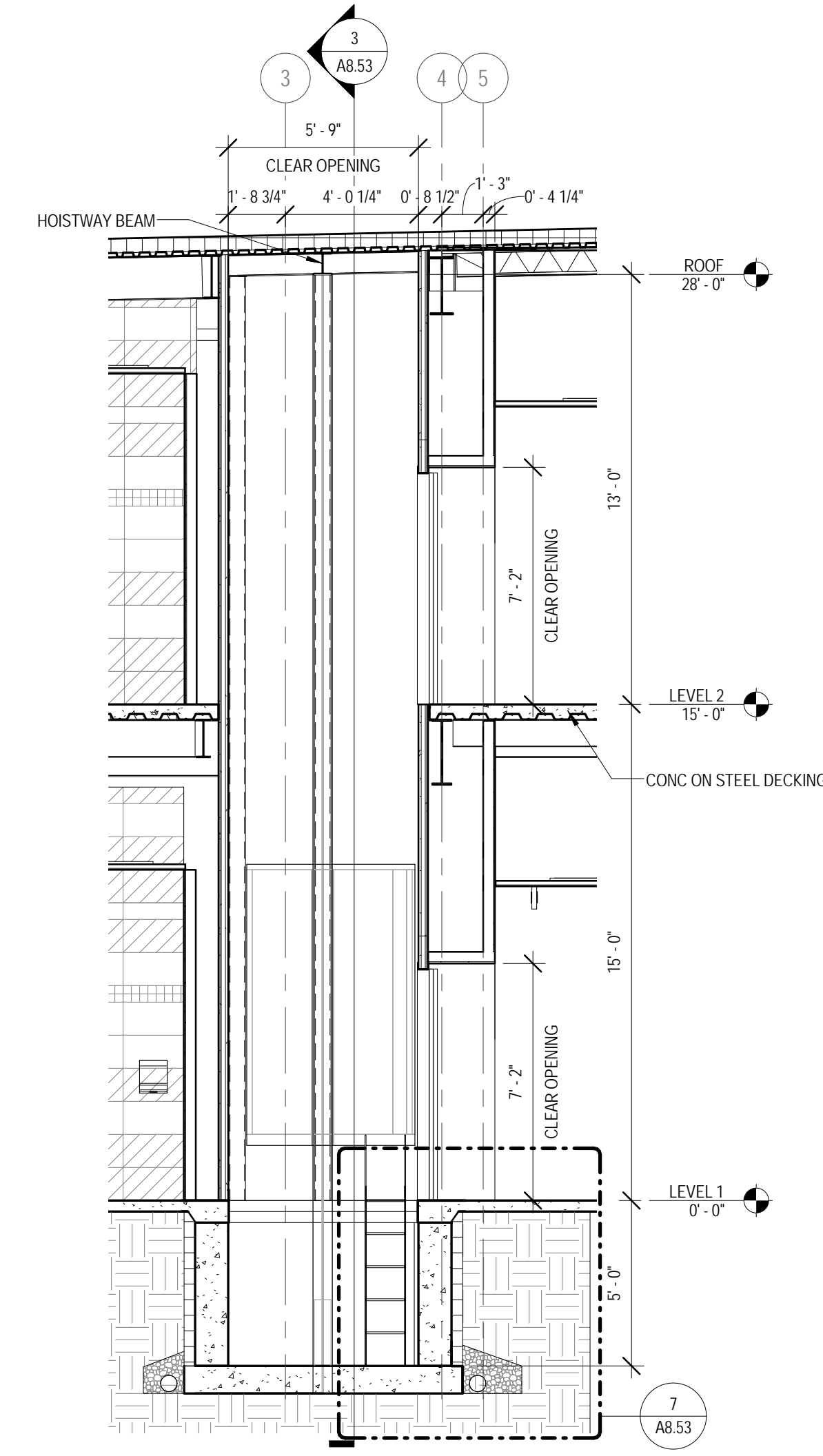
1 ENLARGED ELEVATOR PLAN - LEVEL 1
 1/4" = 1'-0"



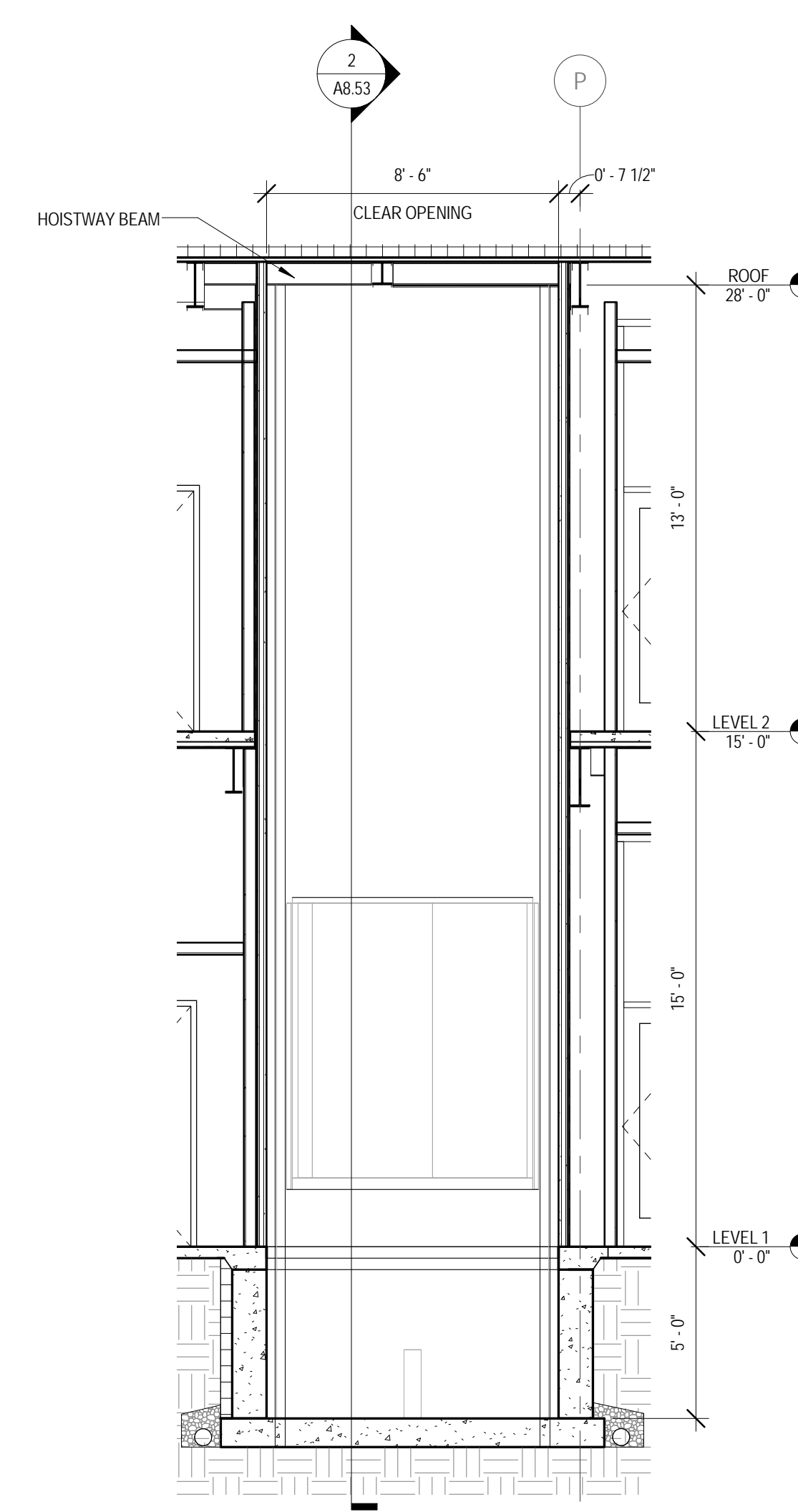
6 ENLARGED ELEVATOR PLAN - LEVEL 2
 1/4" = 1'-0"



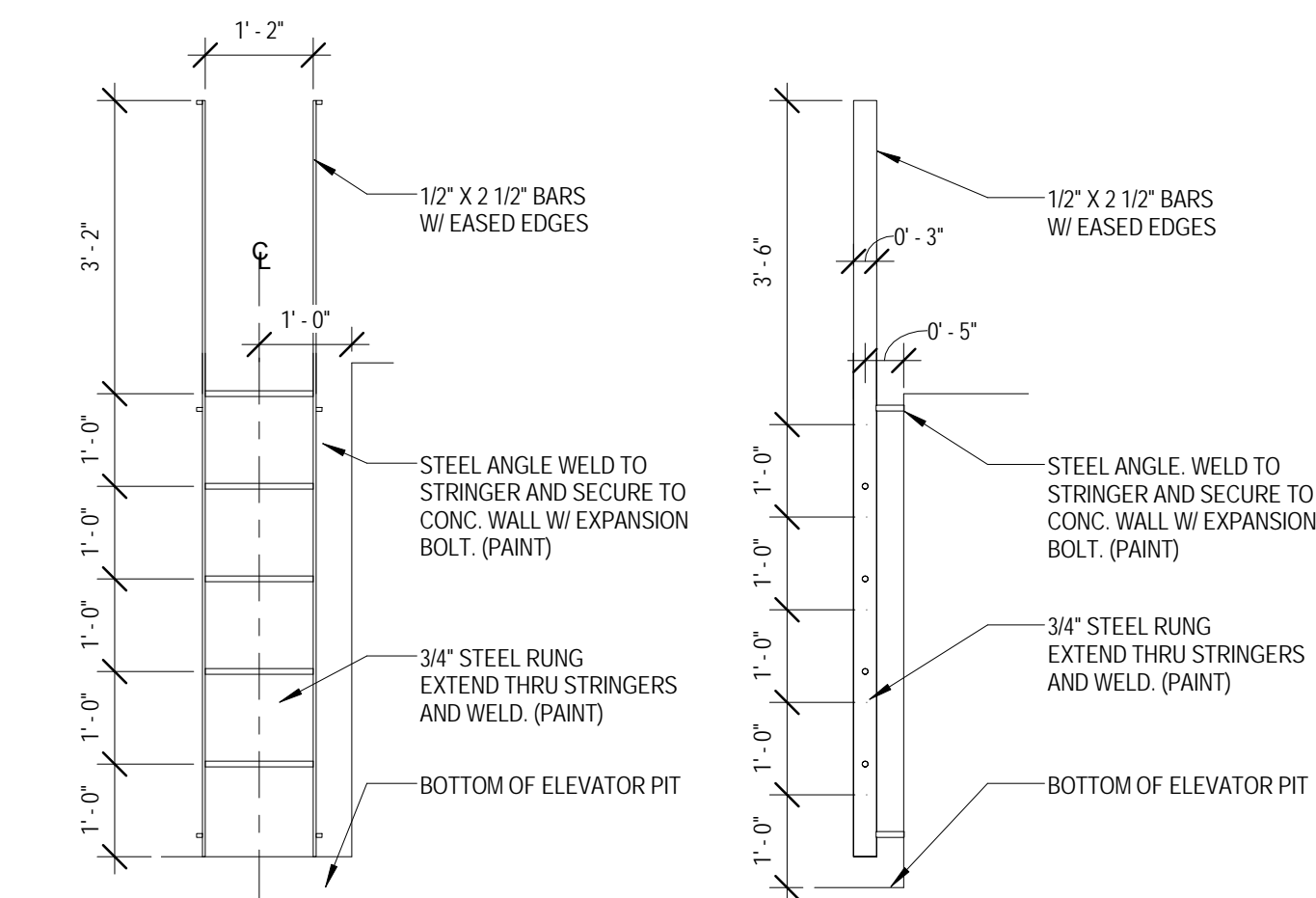
8 PLAN DETAIL - ELEVATOR ENTRY
 1 1/2" = 1'-0"



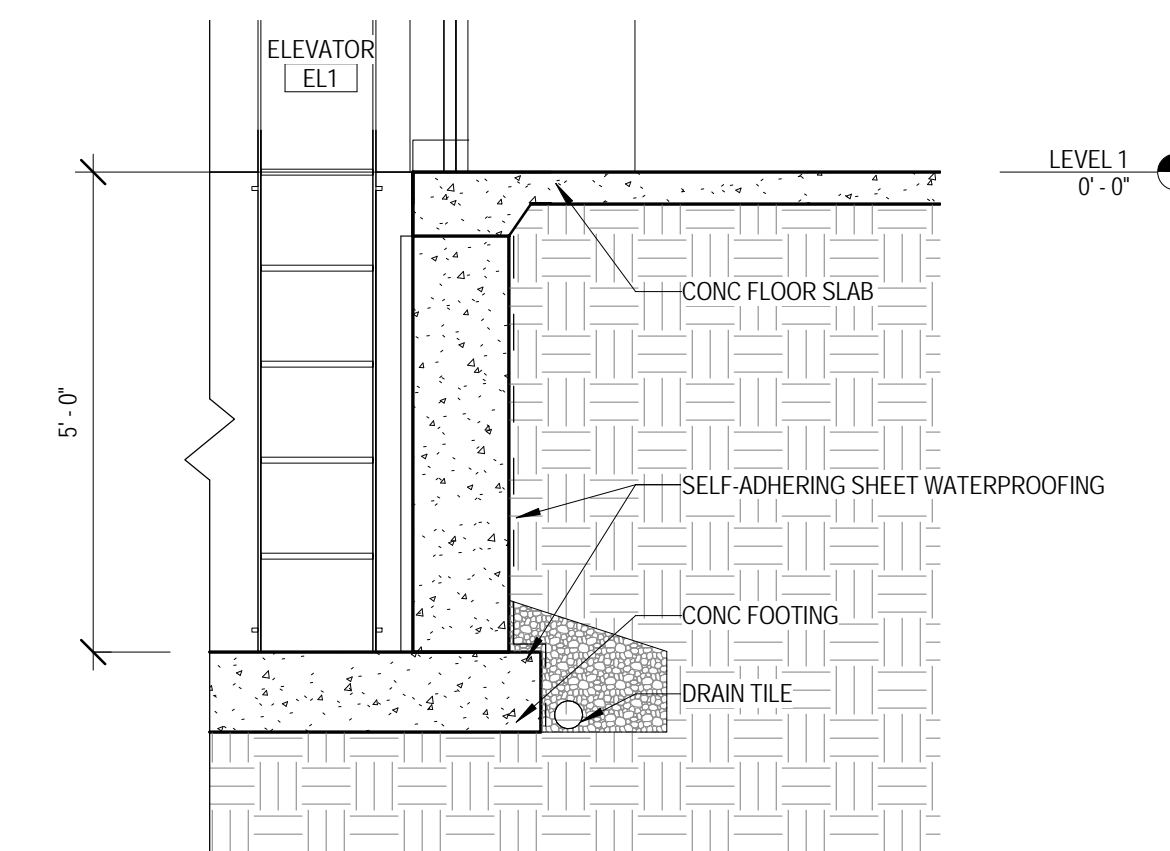
2 ELEVATOR SECTION A
 1/4" = 1'-0"



3 ELEVATOR SECTION B
 1/4" = 1'-0"



4 ELEVATOR PIT ACCESS LADDER
 1/2" = 1'-0"



7 SECTION DETAIL - ELEVATOR FOUNDATION WALL
 1/2" = 1'-0"



ARCHITECT OF RECORD
DEMIONA KEMPER ARCHITECTS
 125 N. HALSTED STREET, SUITE 301
 CHICAGO, IL 60661
 P: 312.496.0000

STRUCTURAL AND MEP/FP ENGINEERING
KJWW ENGINEERING CONSULTANTS
 1100 WARRENVILLE RD. SUITE
 400W NAPERVILLE, IL 60563
 P: 630.527.2320

FOOD SERVICE CONSULTANT
CINI LITTLE INTERNATIONAL, INC.
 200 E. HOWARD AVE. SUITE 212
 DES PLAINES, IL 60018
 P: 847.298.0088

CONSTRUCTION MANAGER
JOLIET JUNIOR COLLEGE
 1215 HOUBOLT RD.
 JOLIET, IL 60431
 P: 815.280.2212

JOLIET JUNIOR COLLEGE
ROMEORVILLE CAMPUS EXPANSION
 1125 135th ST. ROMEORVILLE, IL 60446
 DKA PROJECT NO: 14-005

KEY PLAN:

SHEET STATUS: 9/21/15

ISSUED FOR CONSTRUCTION

NO.	DESCRIPTION:	DATE:

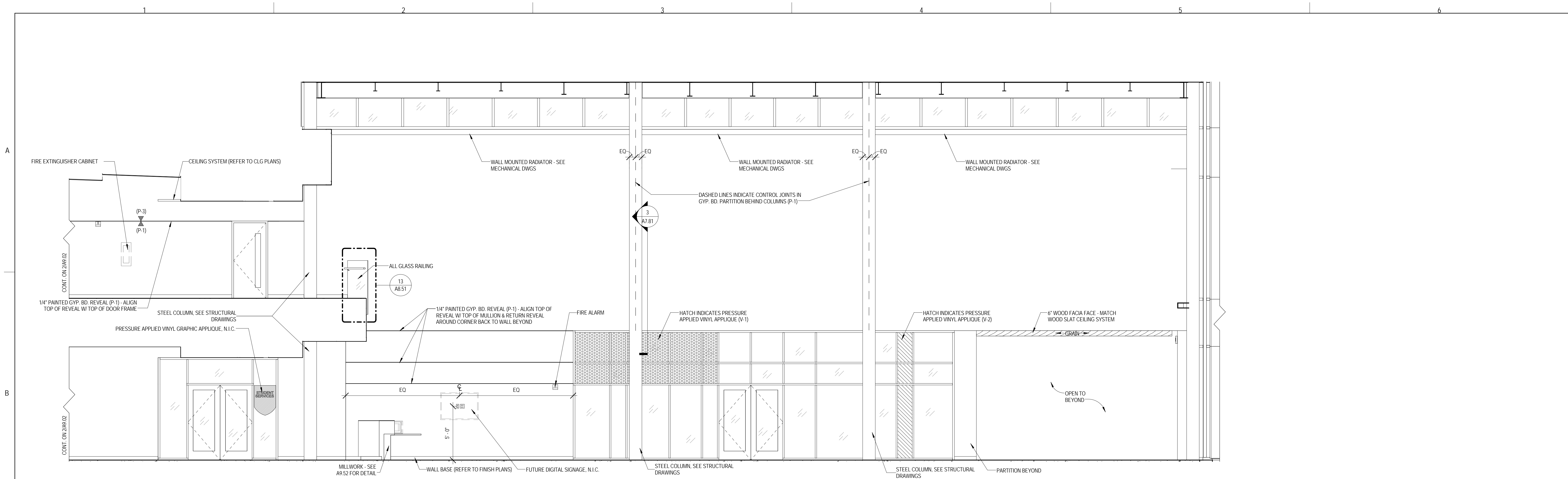
SHEET TITLE:

INTERIOR ELEVATIONS

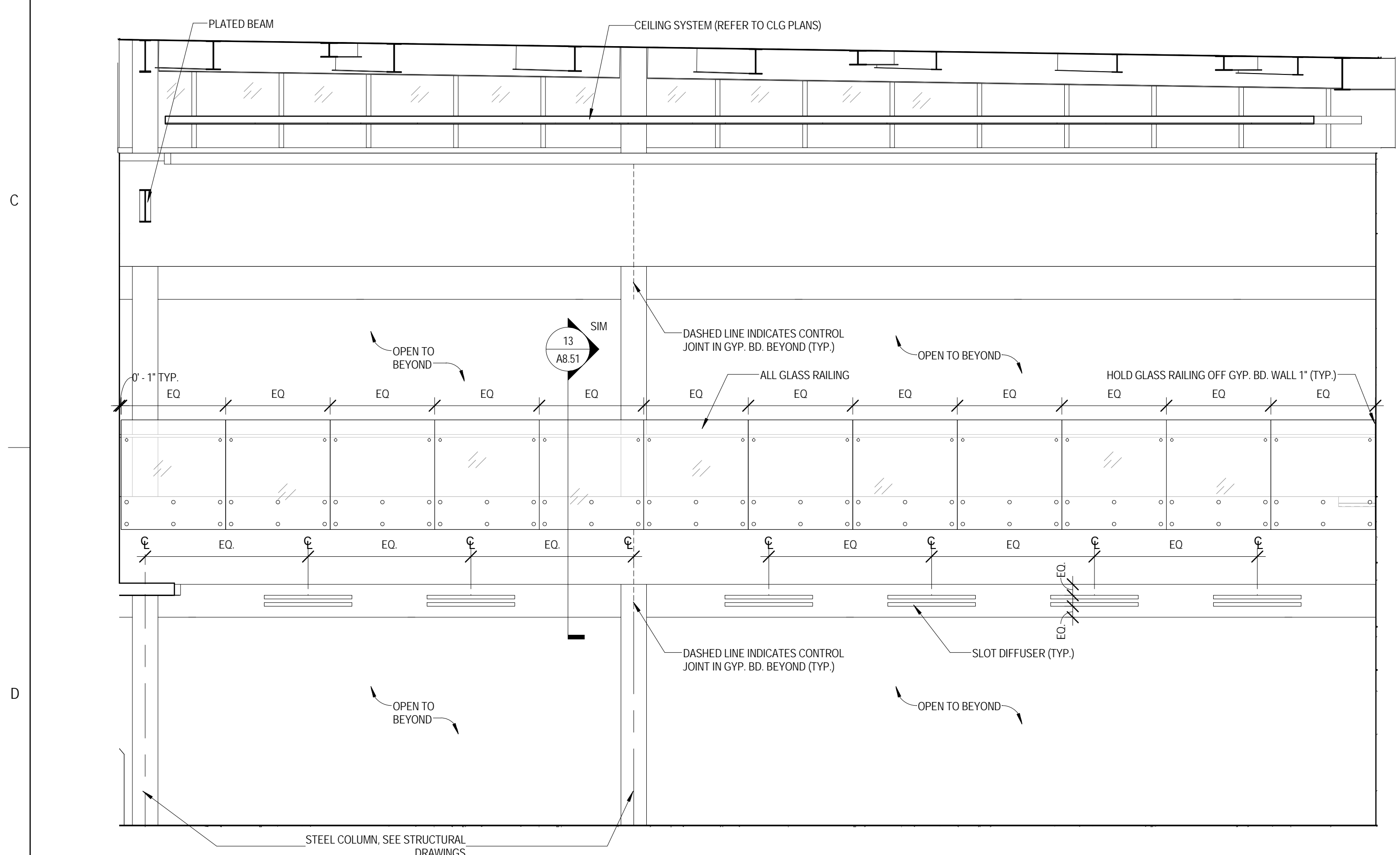
SHEET NUMBER:

A9.01

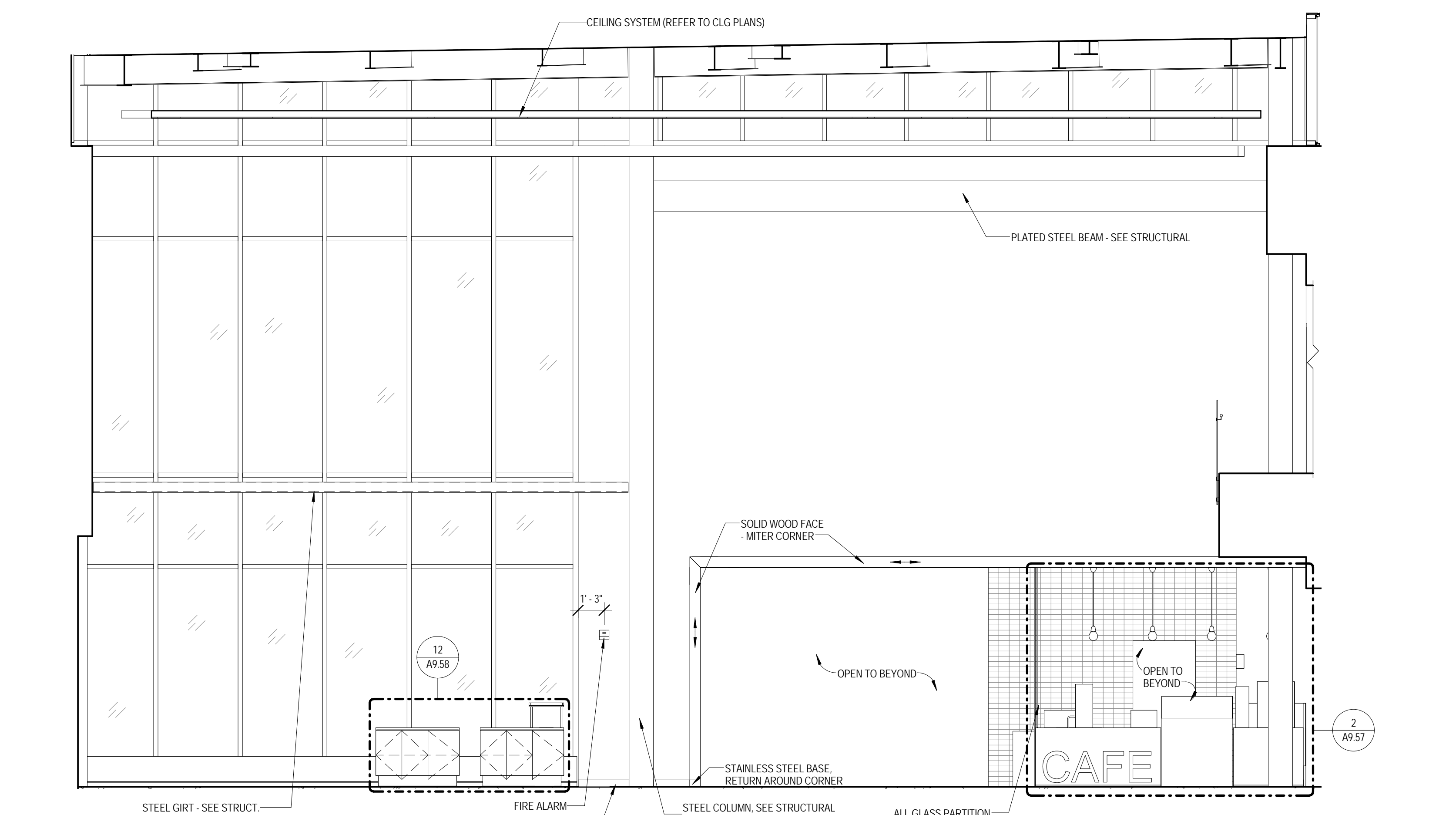
9/18/2015 9:37:01 AM



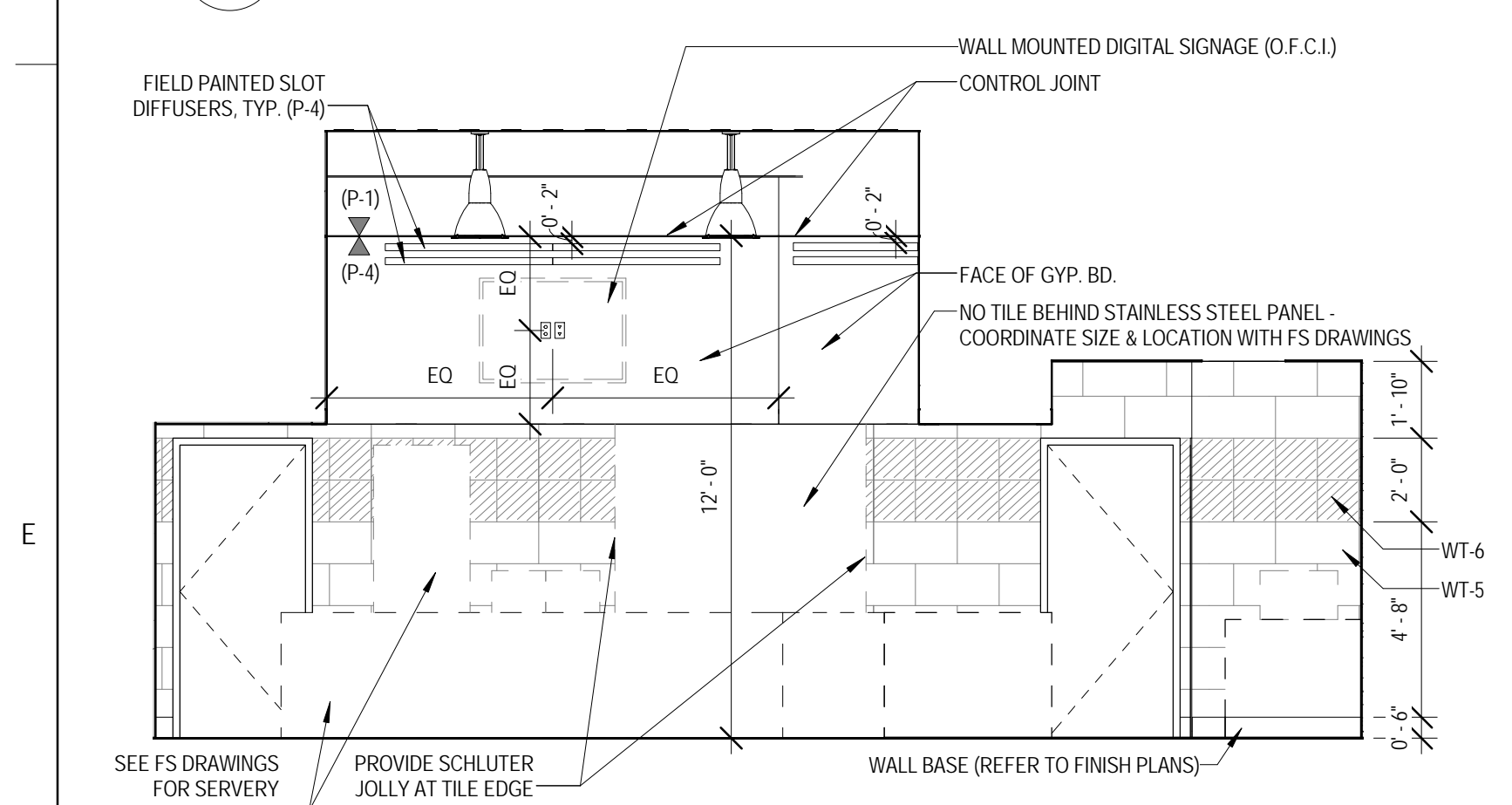
1 INTERIOR ELEVATION - COMMONS 1101 - SOUTH
 1/4" = 1'-0"



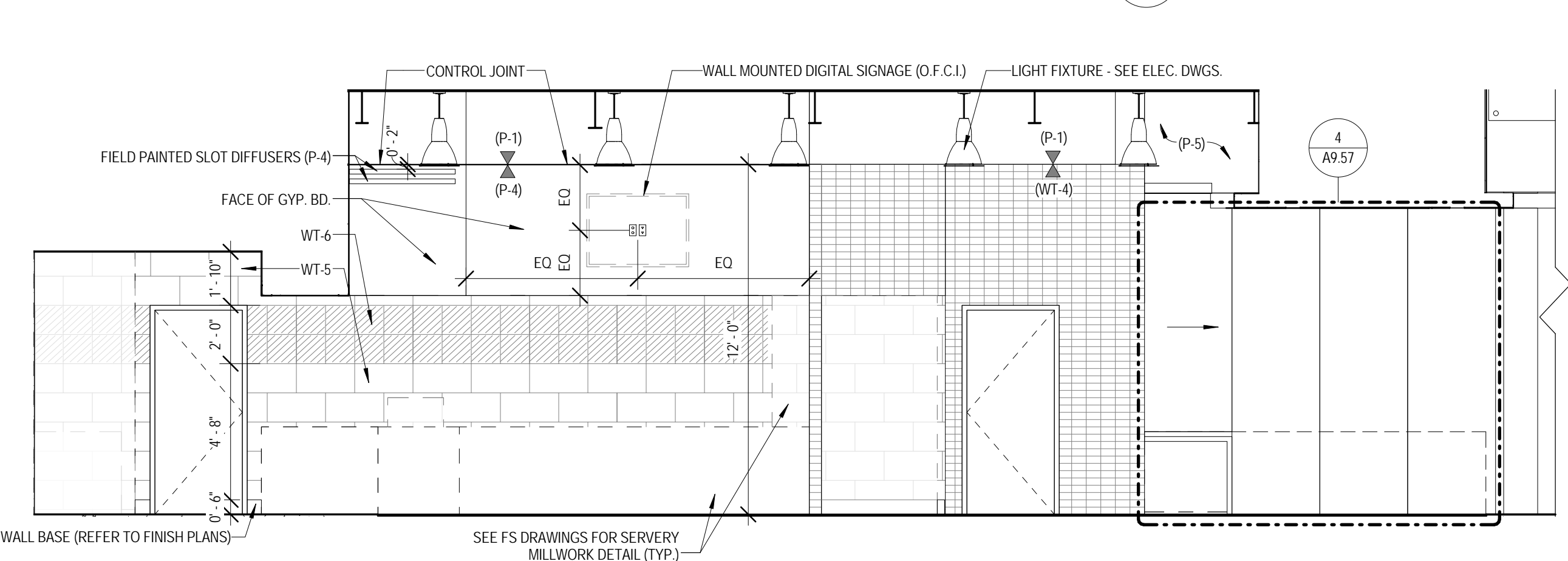
2 INTERIOR ELEVATION - COMMONS 1101 - NORTH
 1/4" = 1'-0"



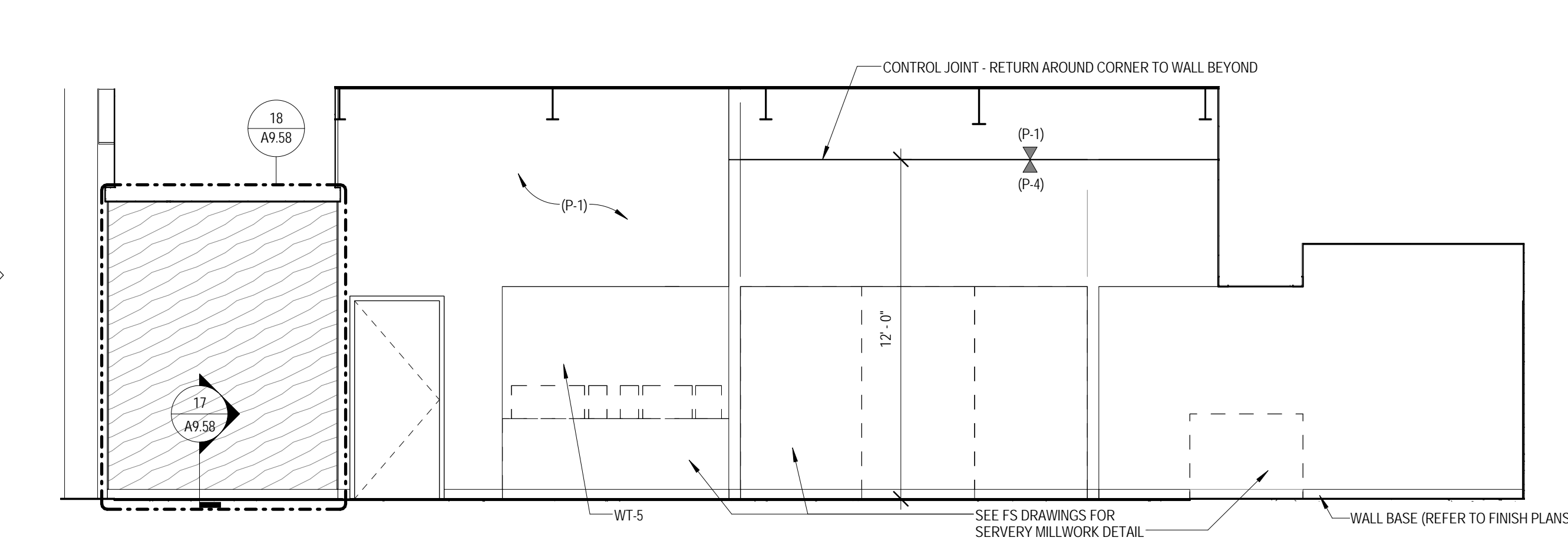
3 INTERIOR ELEVATION - COMMONS 1101 - WEST
 1/4" = 1'-0"



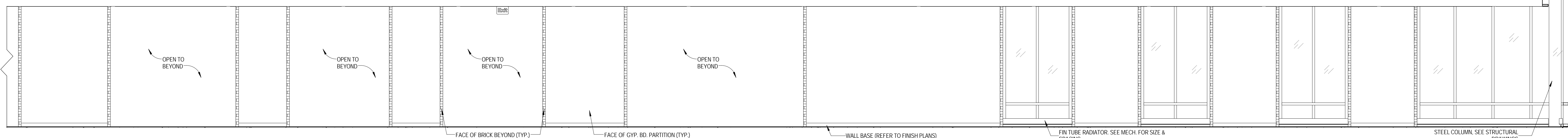
4 INTERIOR ELEVATION - SEVERY 1017 WEST
 1/4" = 1'-0"



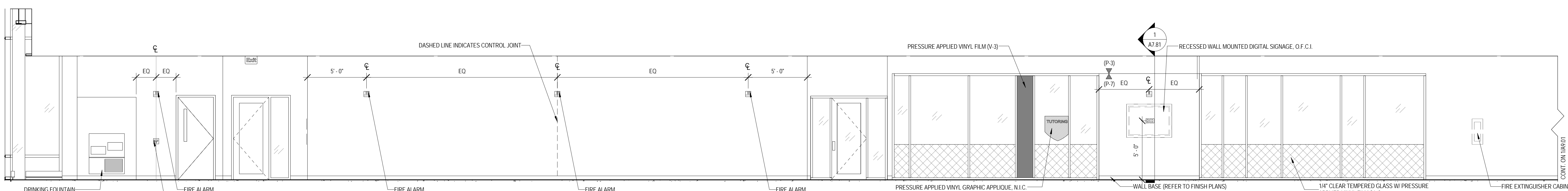
5 INTERIOR ELEVATION - SEVERY 1017 NORTH
 1/4" = 1'-0"



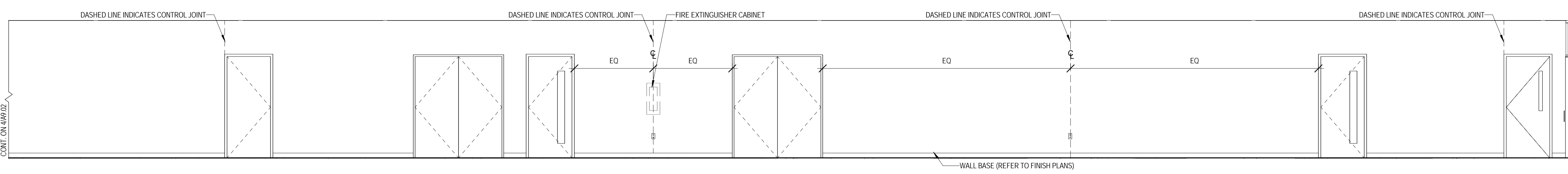
6 INTERIOR ELEVATION - SEVERY 1017 SOUTH
 1/4" = 1'-0"



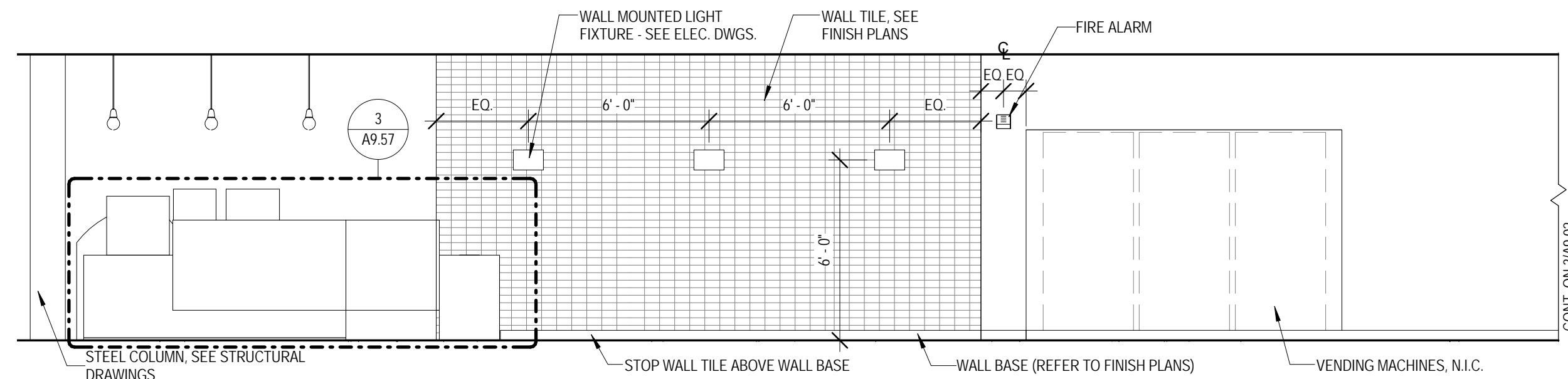
1 INTERIOR ELEVATION - EAST WING - 1ST FLOOR NORTH ELEVATION
 1/4" = 1'-0"



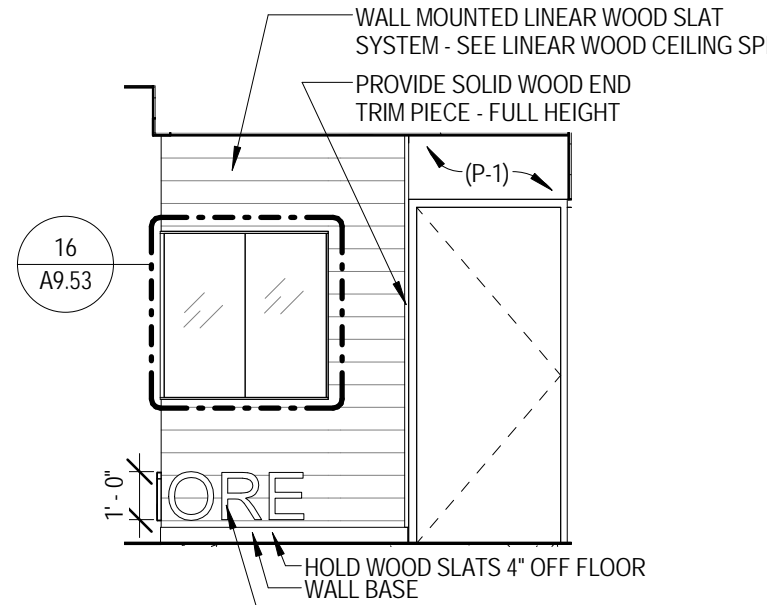
2 INTERIOR ELEVATION - EAST WING - 1ST FLOOR SOUTH ELEVATION
 1/4" = 1'-0"



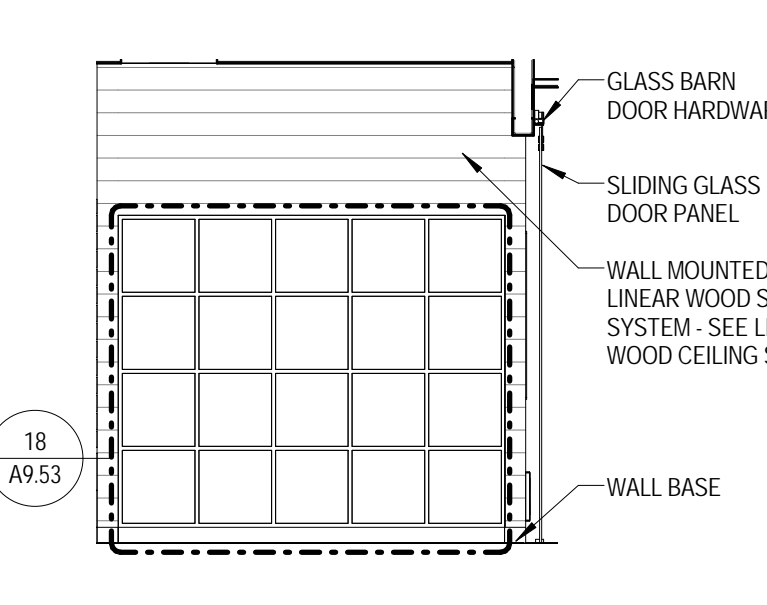
3 INTERIOR ELEVATION - WEST WING - 1ST FLOOR SOUTH ELEVATION A
 1/4" = 1'-0"



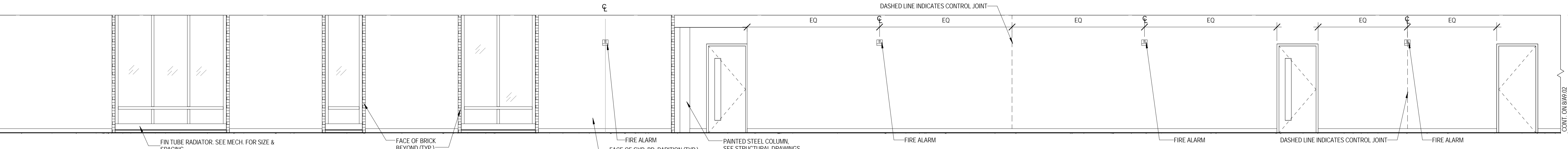
4 INTERIOR ELEVATION - WEST WING - 1ST FLOOR SOUTH ELEVATION B
 1/4" = 1'-0"



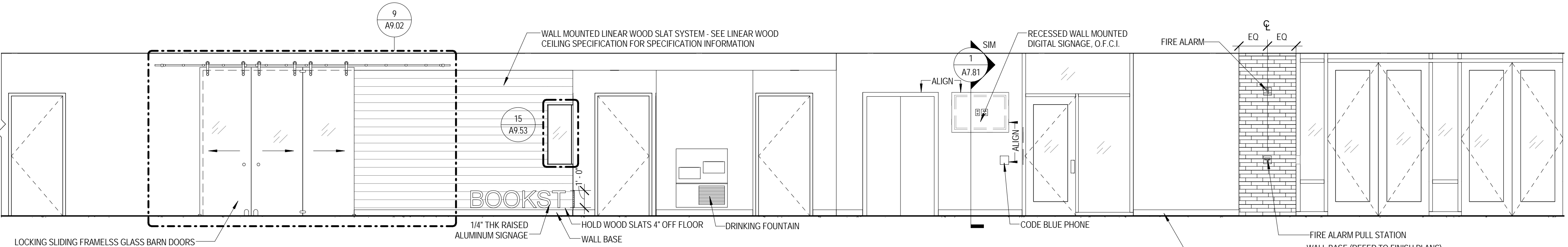
5 INTERIOR ELEVATION - WEST WING - 1ST FLOOR WEST ELEVATION
 1/4" = 1'-0"



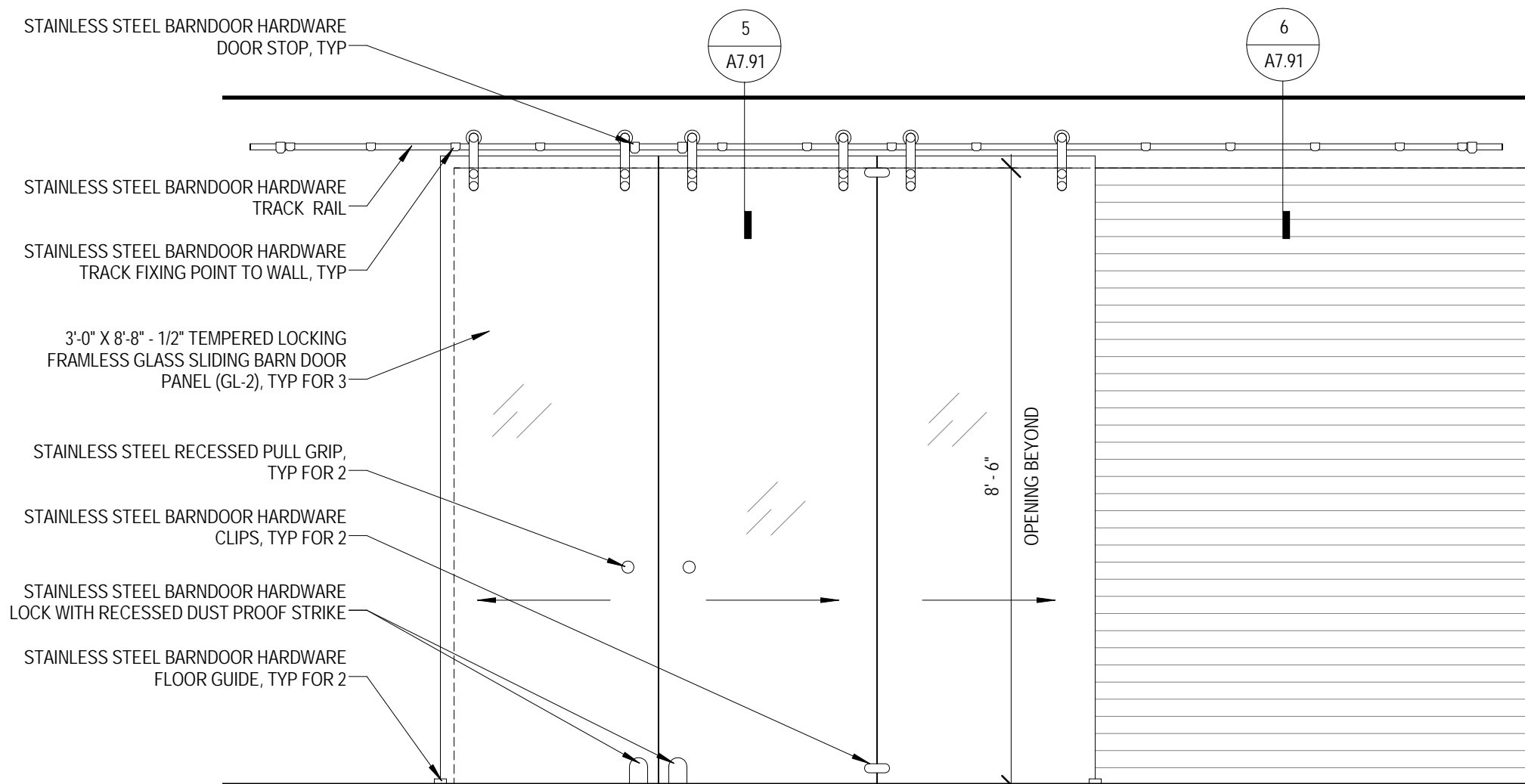
6 INTERIOR ELEVATION - BOOKSTORE 1000 EAST
 1/4" = 1'-0"



7 INTERIOR ELEVATION - WEST WING - 1ST FLOOR NORTH ELEVATION A
 1/4" = 1'-0"



8 INTERIOR ELEVATION - WEST WING - 1ST FLOOR NORTH ELEVATION B
 1/4" = 1'-0"



9 INTERIOR ELEVATION - ENLARGED BOOKSTORE ENTRY
 1/2" = 1'-0"

KEY PLAN:

SHEET STATUS: 9/21/15

ISSUED FOR CONSTRUCTION

NO.	DESCRIPTION:	DATE:
1		

SHEET TITLE:
INTERIOR ELEVATIONS

SHEET NUMBER:

A9.02



ARCHITECT OF RECORD
DEMIONA KEMPER ARCHITECTS
 125 N. HALSTED STREET, SUITE 301
 CHICAGO, IL 60661
 P: 312.496.0000

STRUCTURAL AND MEP/FP ENGINEERING
KJWW ENGINEERING CONSULTANTS
 1100 WARRENVILLE RD. SUITE
 400W NAPERVILLE, IL 60563
 P: 630.527.2320

FOOD SERVICE CONSULTANT
CINI LITTLE INTERNATIONAL, INC.
 200 E. HOWARD AVE. SUITE 212
 DES PLAINES, IL 60018
 P: 847.298.0088

CONSTRUCTION MANAGER
JOLIET JUNIOR COLLEGE
 1215 HOUBOLT RD.
 JOLIET, IL 60431
 P: 815.280.2212

JOLIET JUNIOR COLLEGE
ROMEIOVILLE CAMPUS EXPANSION
 1125 135th ST. ROMEIOVILLE, IL 60446
 DKA PROJECT NO: 14-005

KEY PLAN:

SHEET STATUS: 9/21/15

ISSUED FOR CONSTRUCTION

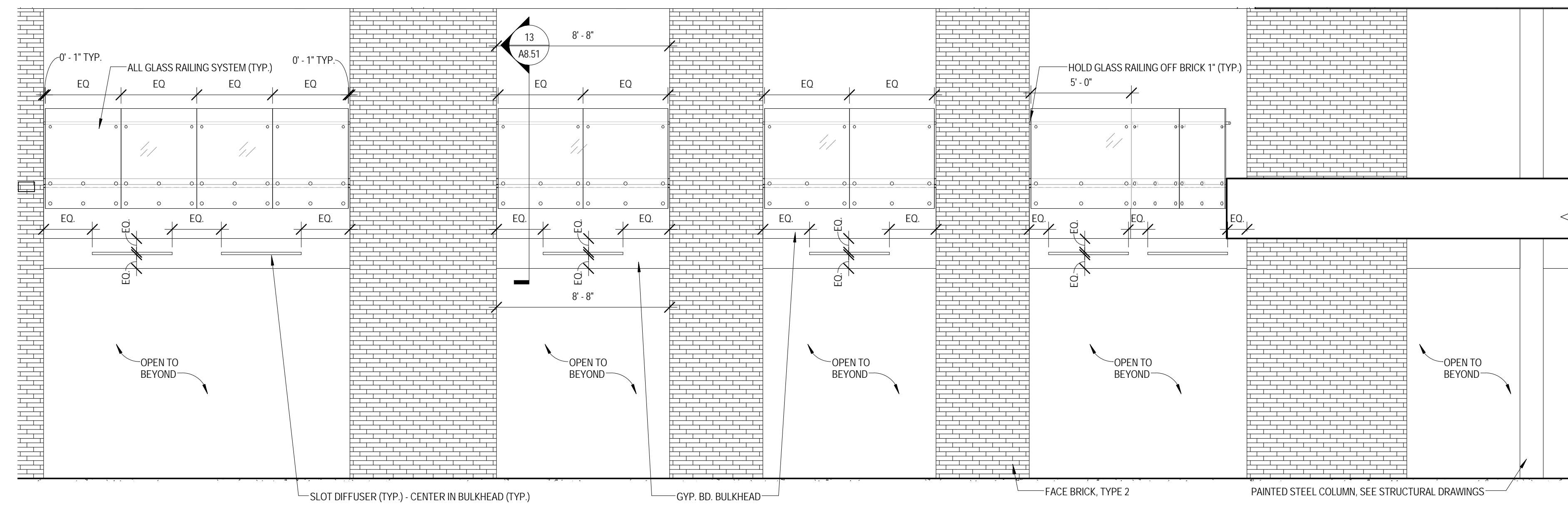
NO.	DESCRIPTION:	DATE:

SHEET TITLE:
INTERIOR ELEVATIONS

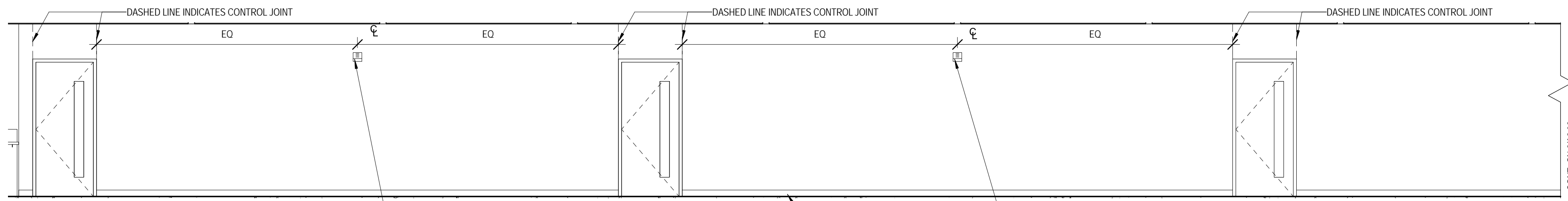
SHEET NUMBER:

A9.03

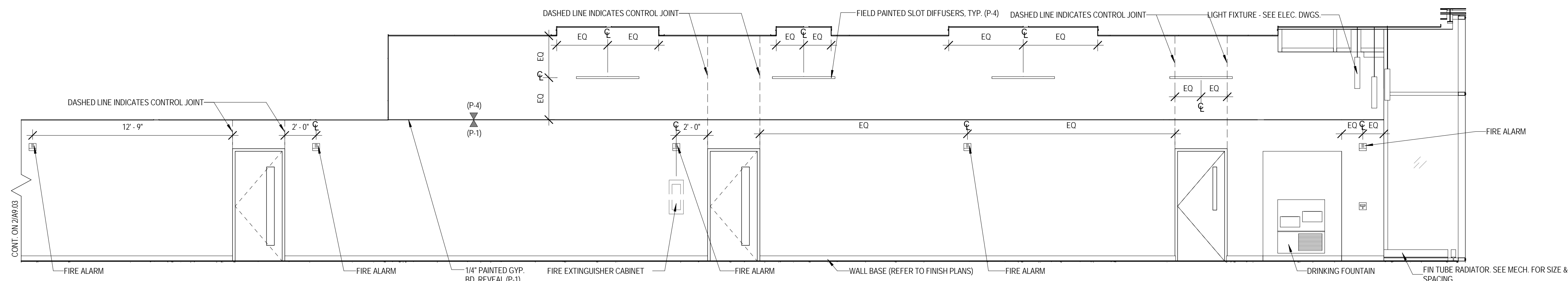
9/18/2015 9:37:15 AM



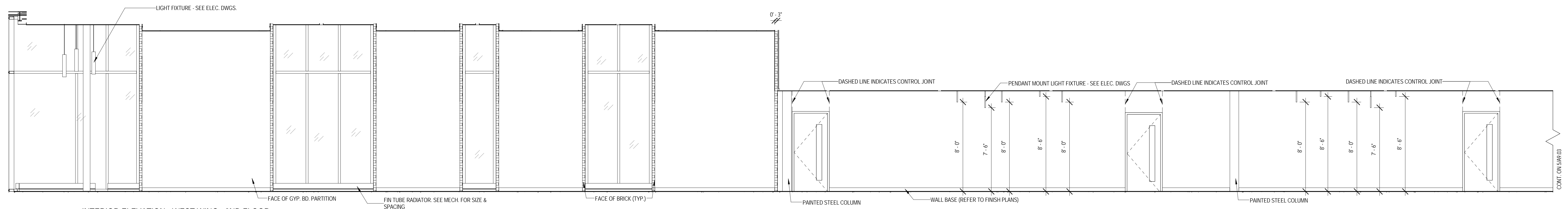
1 INTERIOR ELEVATION - EAST WING - SOUTH ELEVATION
 1/4" = 1'-0"



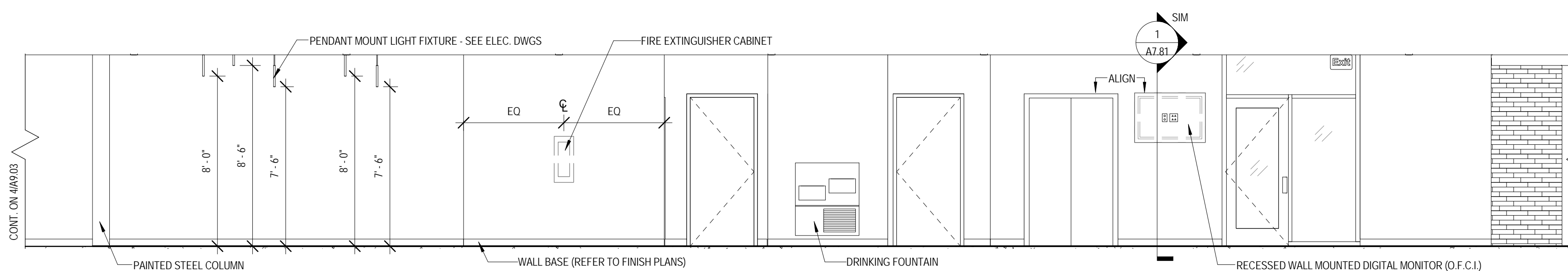
2 INTERIOR ELEVATION - WEST WING - 2ND FLOOR
 SOUTH ELEVATION B
 1/4" = 1'-0"



3 INTERIOR ELEVATION - WEST WING - 2ND FLOOR
 SOUTH ELEVATION A
 1/4" = 1'-0"

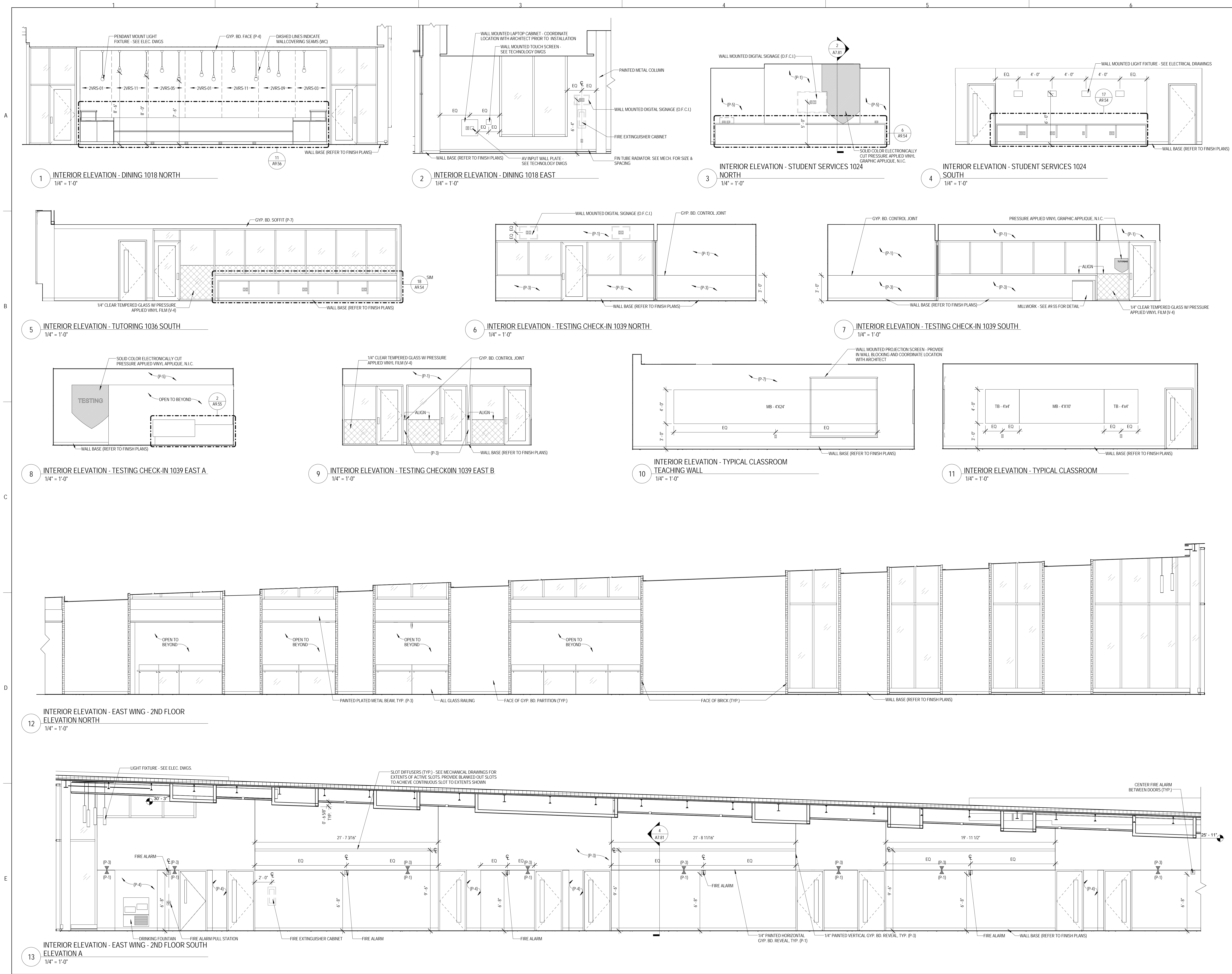


4 INTERIOR ELEVATION - WEST WING - 2ND FLOOR
 NORTH ELEVATION A
 1/4" = 1'-0"



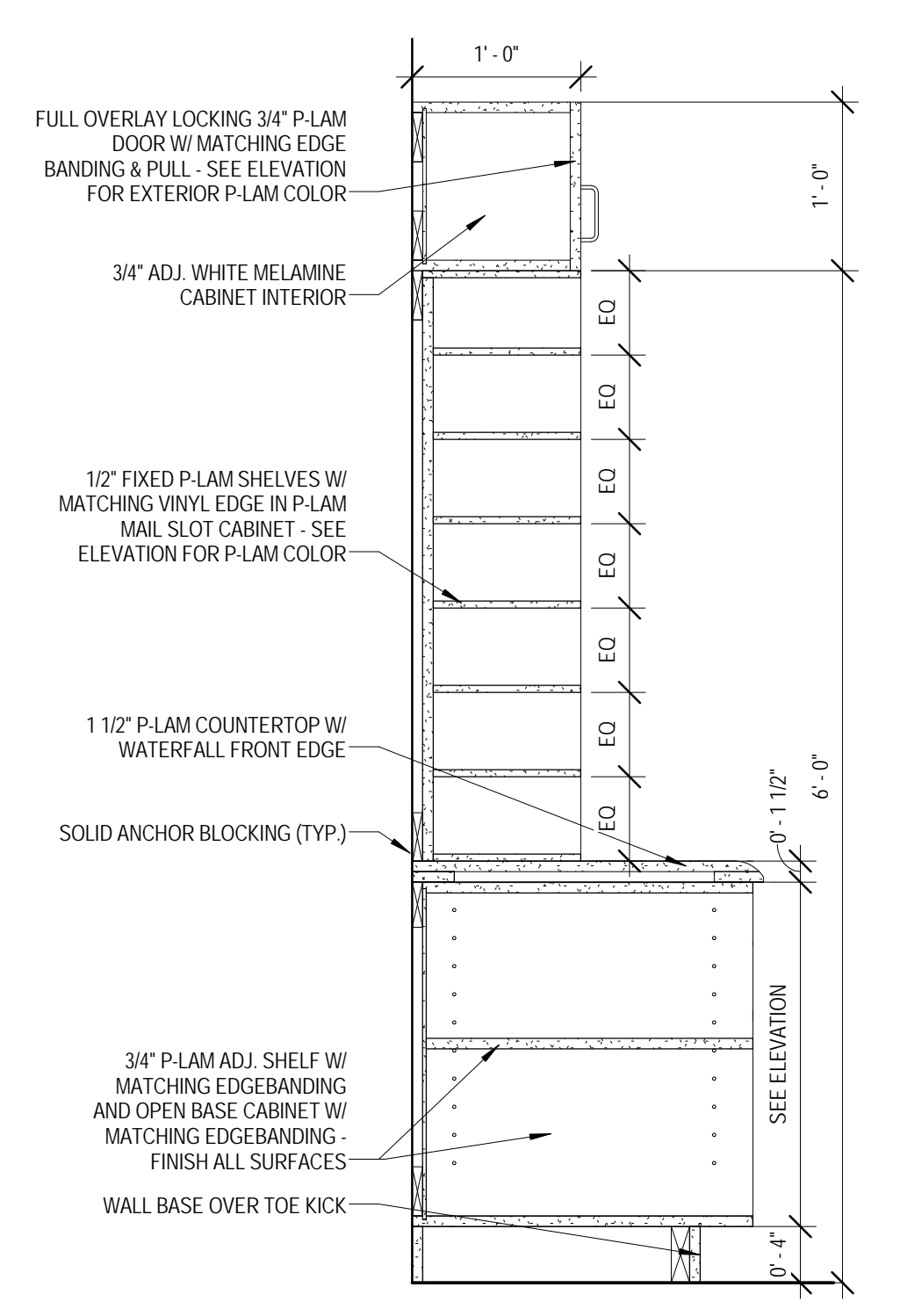
5 INTERIOR ELEVATION - WEST WING - 2ND FLOOR
 NORTH ELEVATION B
 1/4" = 1'-0"

NO.	DESCRIPTION	DATE
1		

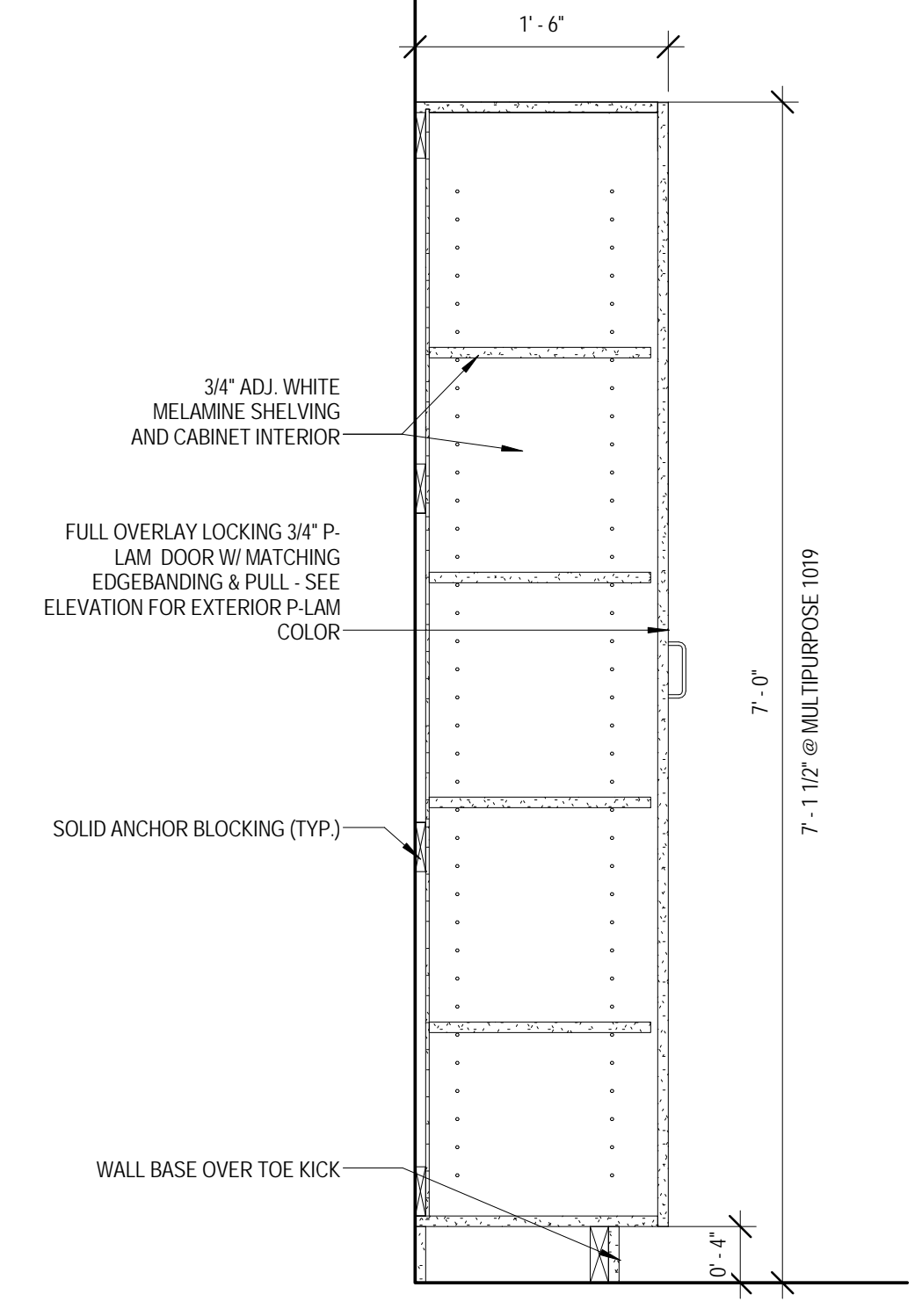


MILLWORK FINISH TYPES:

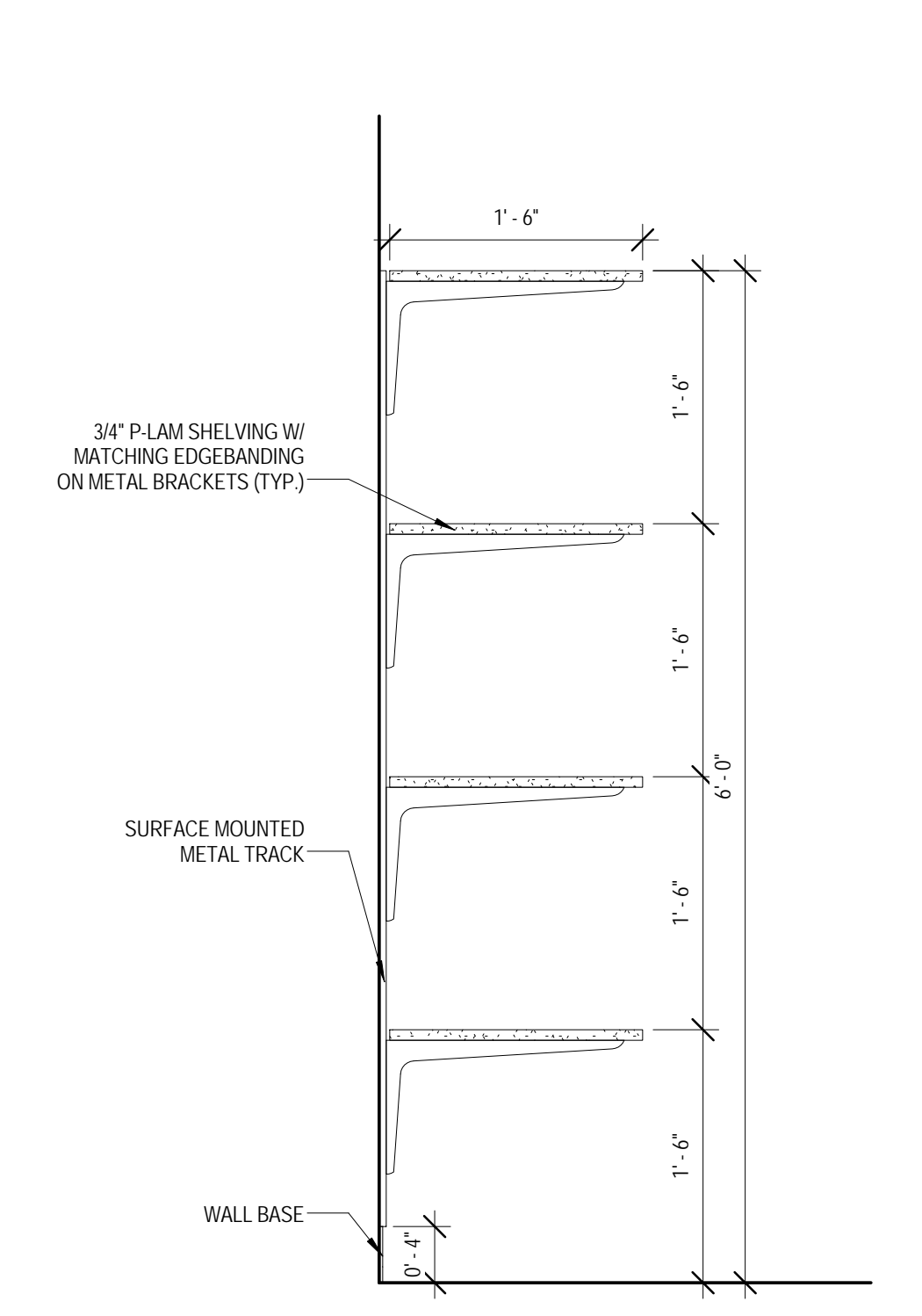
TYPE	DESCRIPTION	MANUFACTURER	NAME/COLOR
ES-1	WHITE ENGINEERED STONE	WILSONART	LYRA 02001
ES-2	CHARCOAL ENGINEERED STONE	ZODIAC	STORM GREY
PL-1	WOOD GRAN LAMINATE	FORMICA	7012-SB AMBER MAPLE
PL-2	GRAY LAMINATE	NEVAMAR	VA6001 CALM DISTINCTION
PL-3	ORANGE LAMINATE	ARBORITE	P-260 CA TATAMI SABI
PL-4	WHITE LAMINATE	FORMICA	459-SB BRTE WHITE
SS-1	WHITE SOLID SURFACE (WINDOW SILLS)	KRON	0302 CLEAR NATURE
SS-2	WHITE SOLID SURFACE	MEGANITE	BRIGHT WHITE 001
SS-3	1" THK PAPERSTONE	PAPERSTONE	SLATE
SS-4	BLACK SOLID SURFACE	MEGANITE	810 RAVEN BOULDER



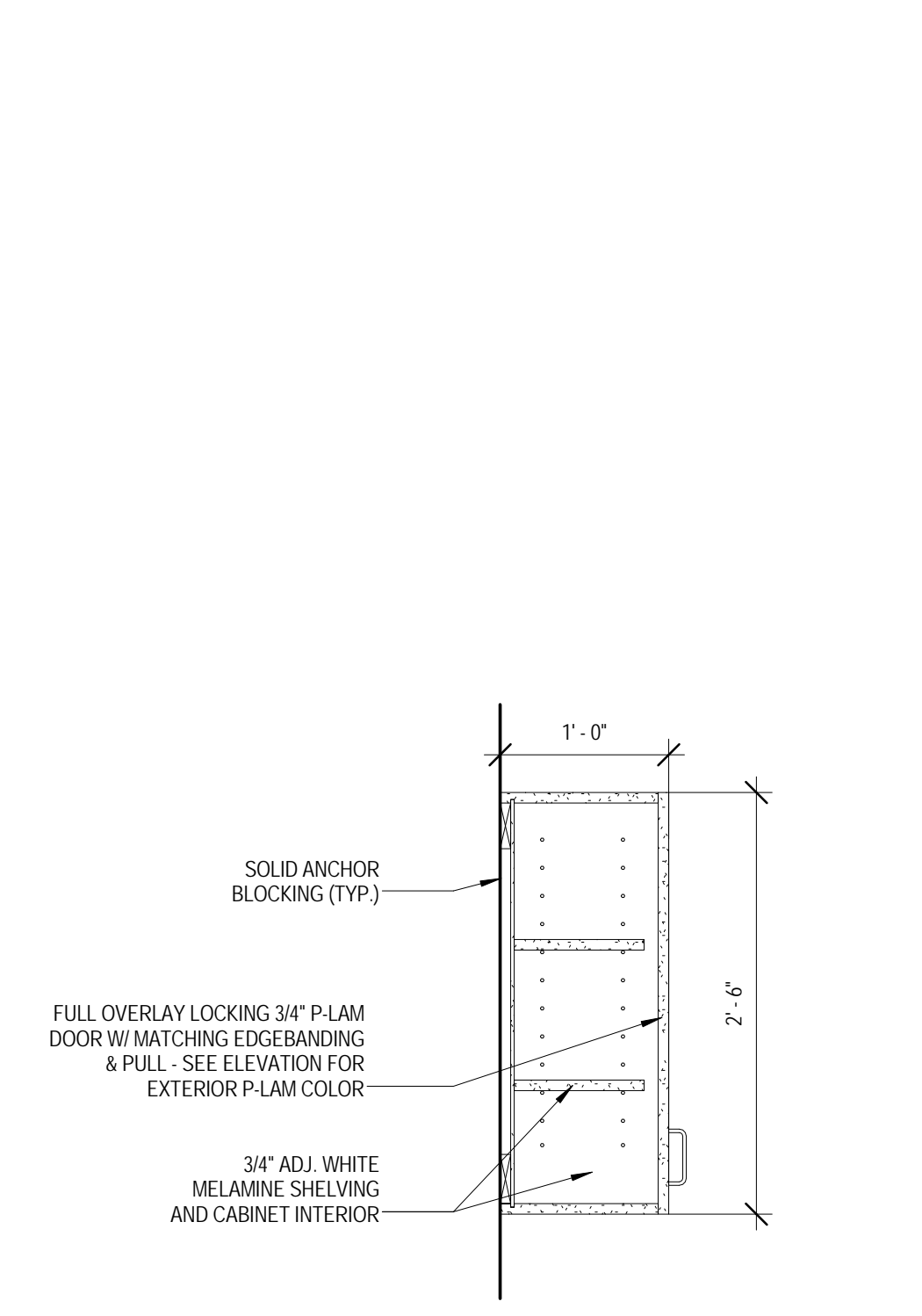
1 MILLWORK DETAIL
1" = 1'-0"



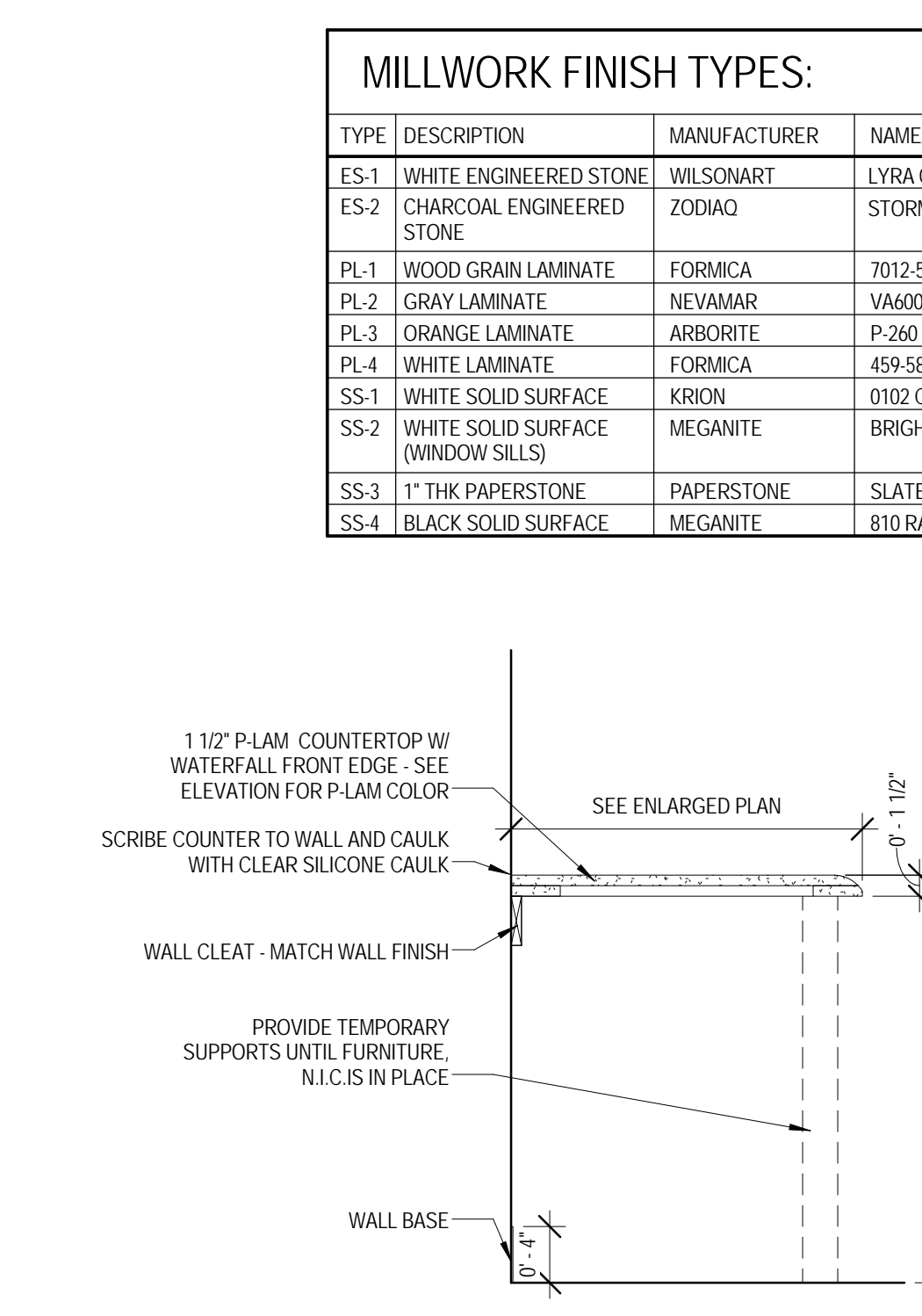
2 MILLWORK DETAIL
1" = 1'-0"



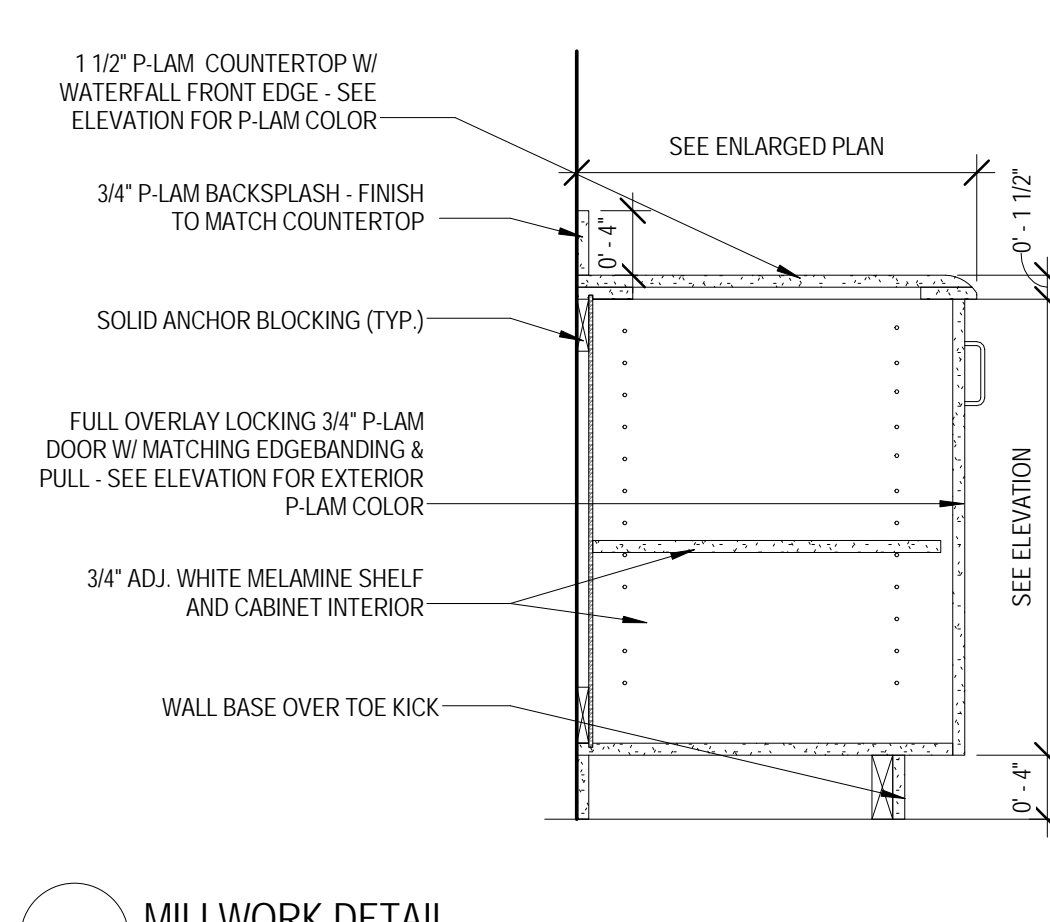
3 MILLWORK DETAIL
1" = 1'-0"



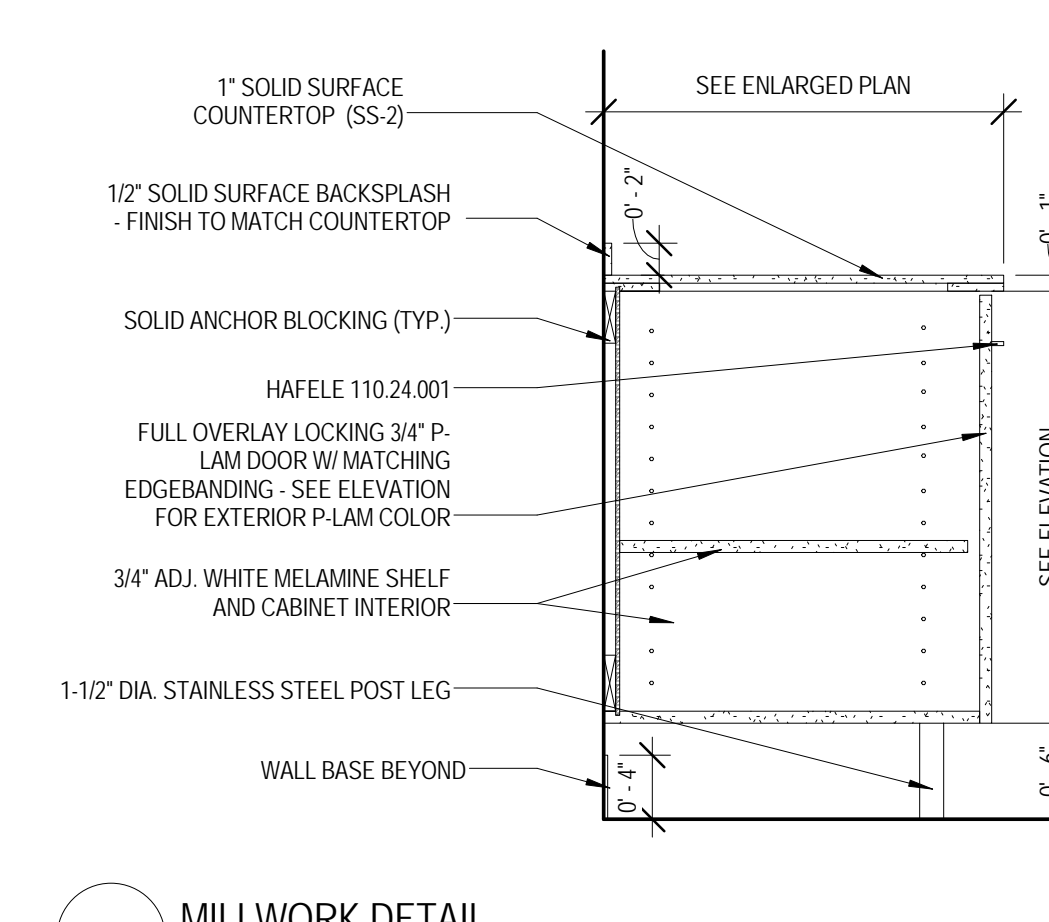
4 MILLWORK DETAIL
1" = 1'-0"



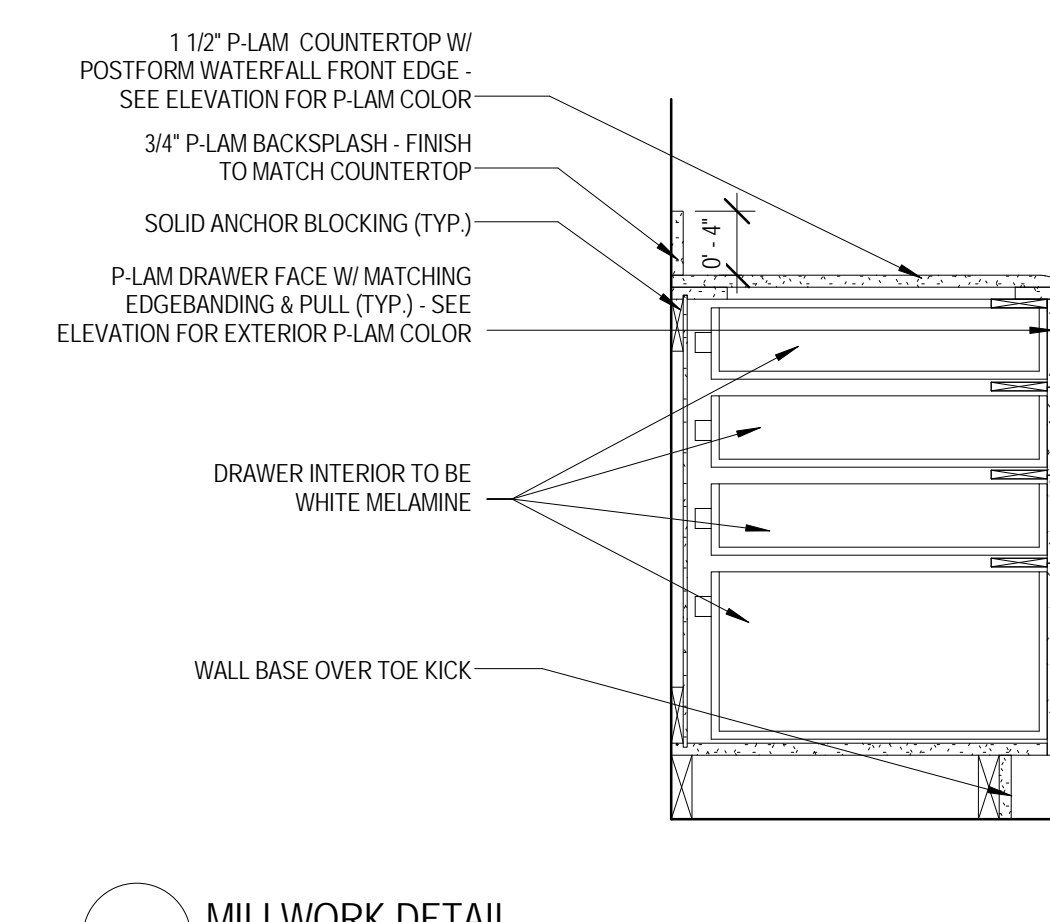
5 MILLWORK DETAIL
1" = 1'-0"



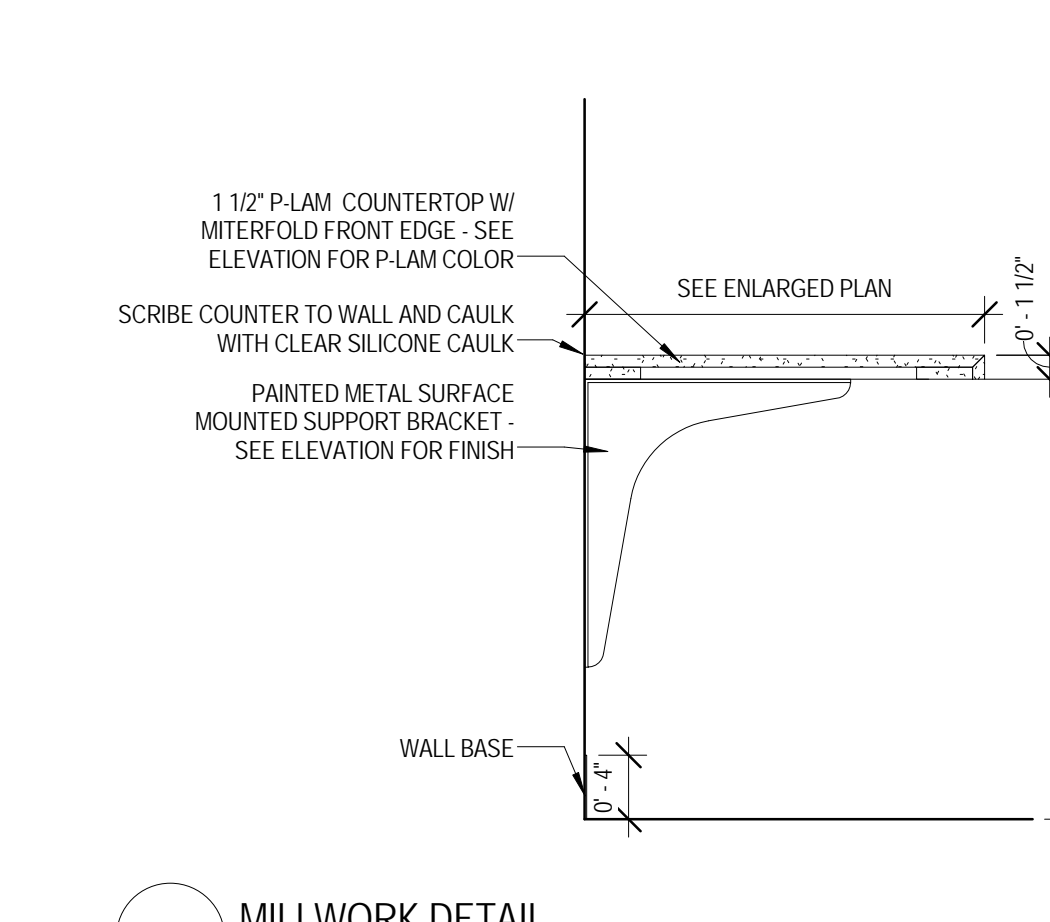
6 MILLWORK DETAIL
1" = 1'-0"



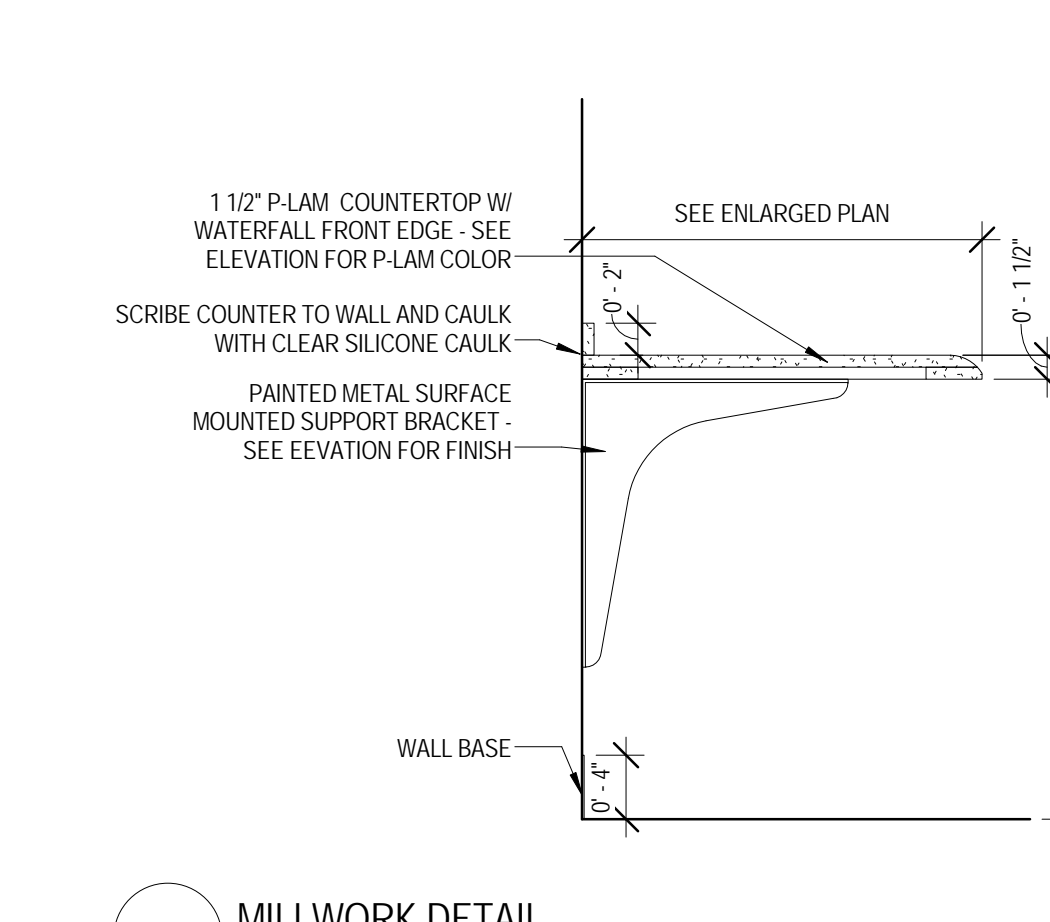
7 MILLWORK DETAIL
1" = 1'-0"



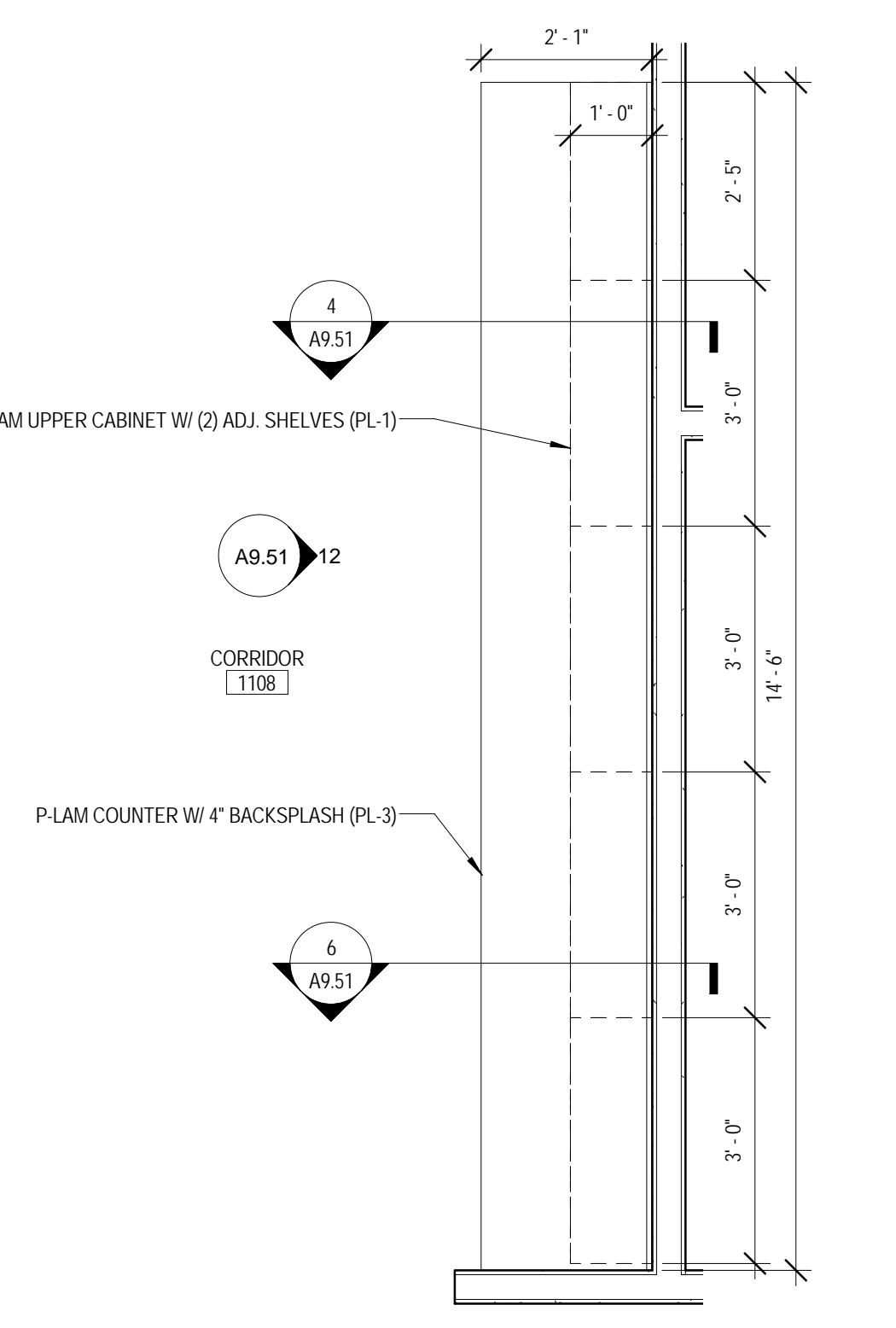
8 MILLWORK DETAIL
1" = 1'-0"



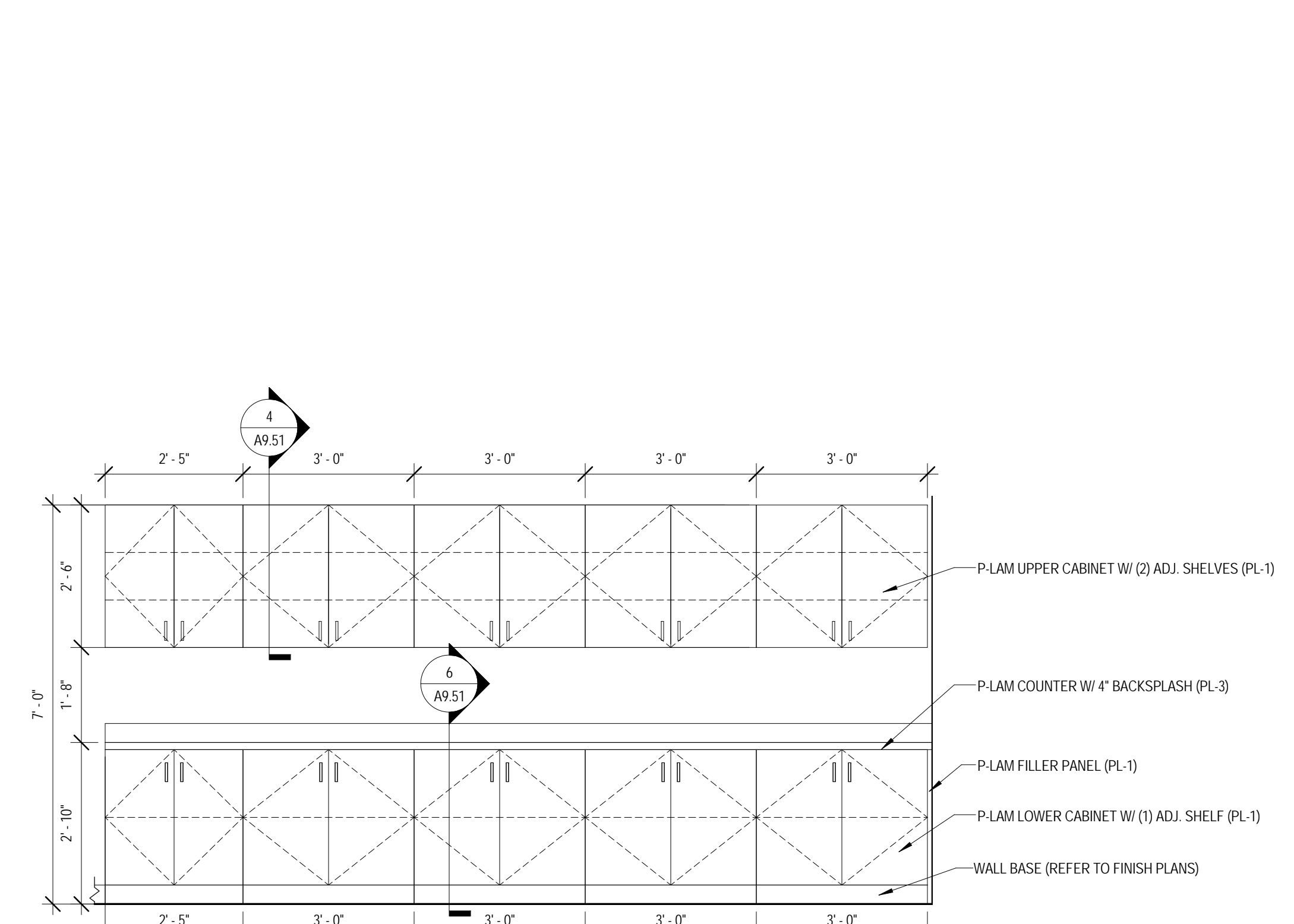
9 MILLWORK DETAIL
1" = 1'-0"



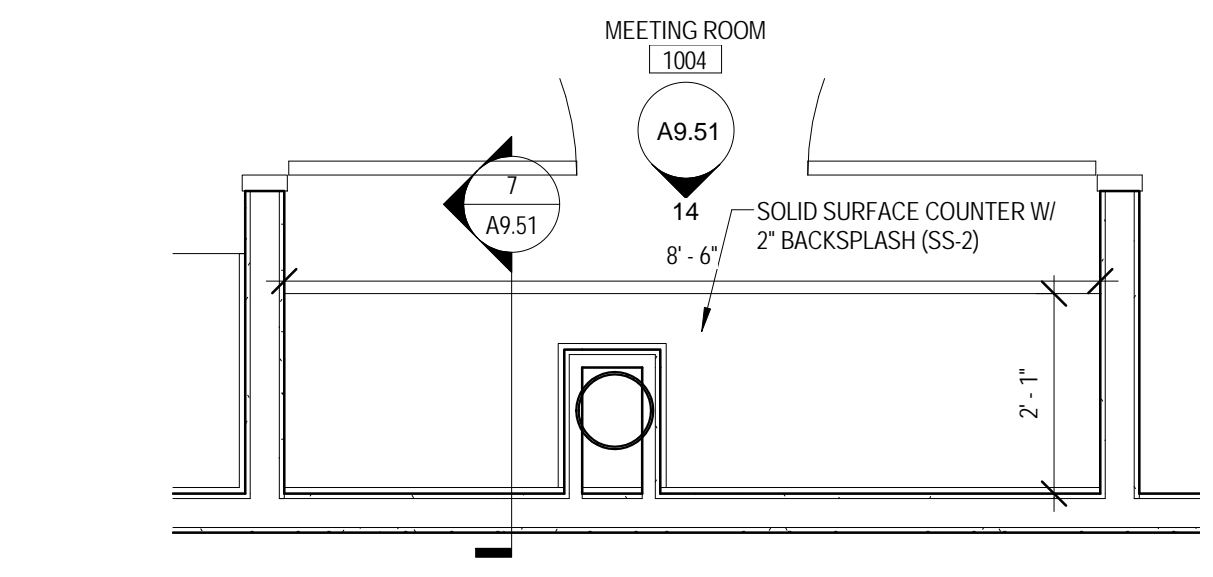
10 MILLWORK DETAIL
1" = 1'-0"



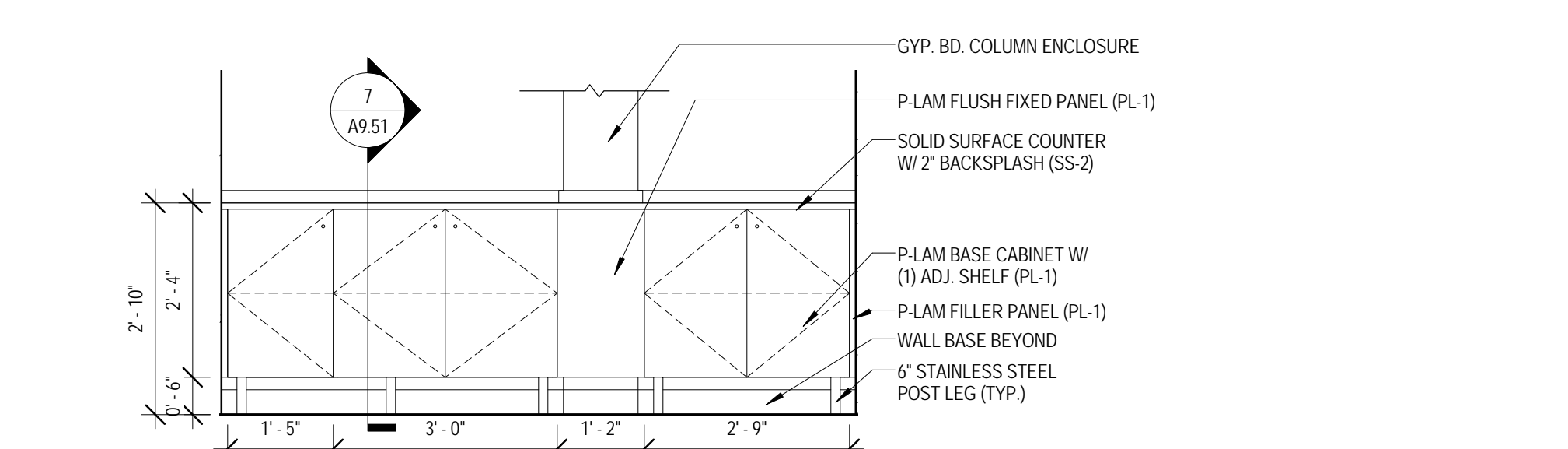
11 ENLARGED PLAN - MILLWORK - CORRIDOR 1108
1/2" = 1'-0"



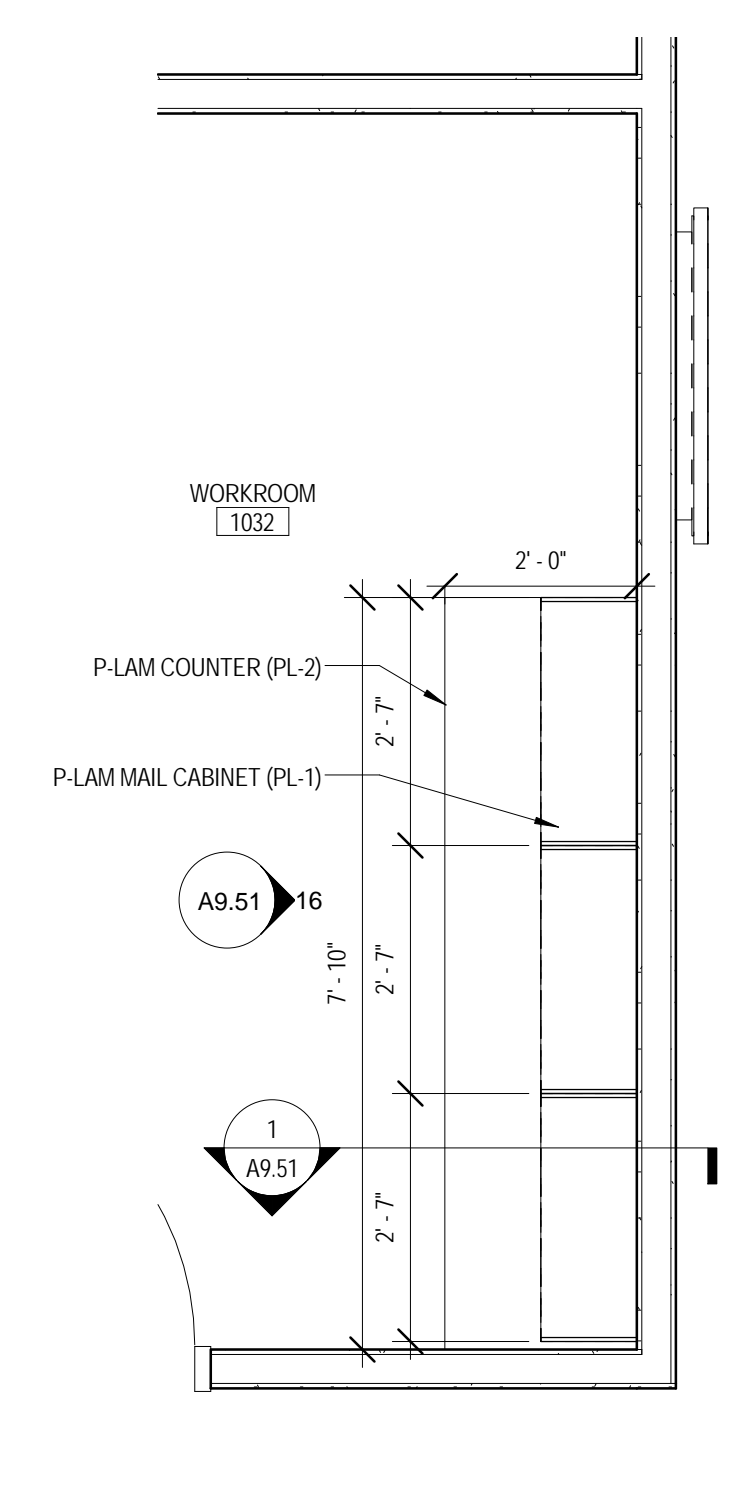
12 MILLWORK ELEVATION - CORRIDOR 1108 - EAST
1/2" = 1'-0"



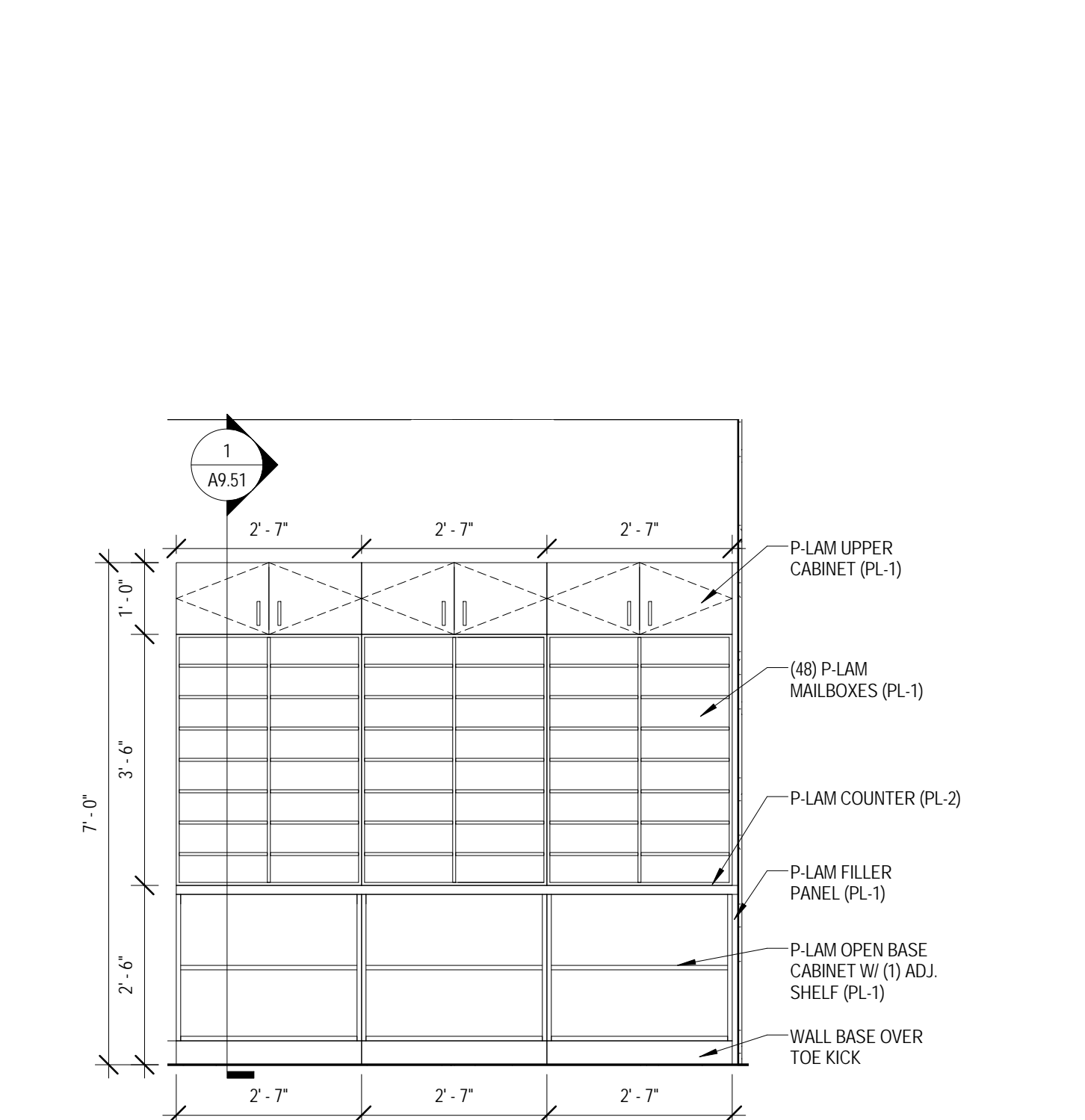
13 ENLARGED PLAN - MILLWORK - MEETING ROOM 1004
1/2" = 1'-0"



14 MILLWORK ELEVATION - MEETING ROOM 1004
1/2" = 1'-0"



15 ENLARGED PLAN - MILLWORK - WORK ROOM 1032
1/2" = 1'-0"



16 MILLWORK ELEVATION - WORK ROOM 1032
1/2" = 1'-0"

KEY PLAN:

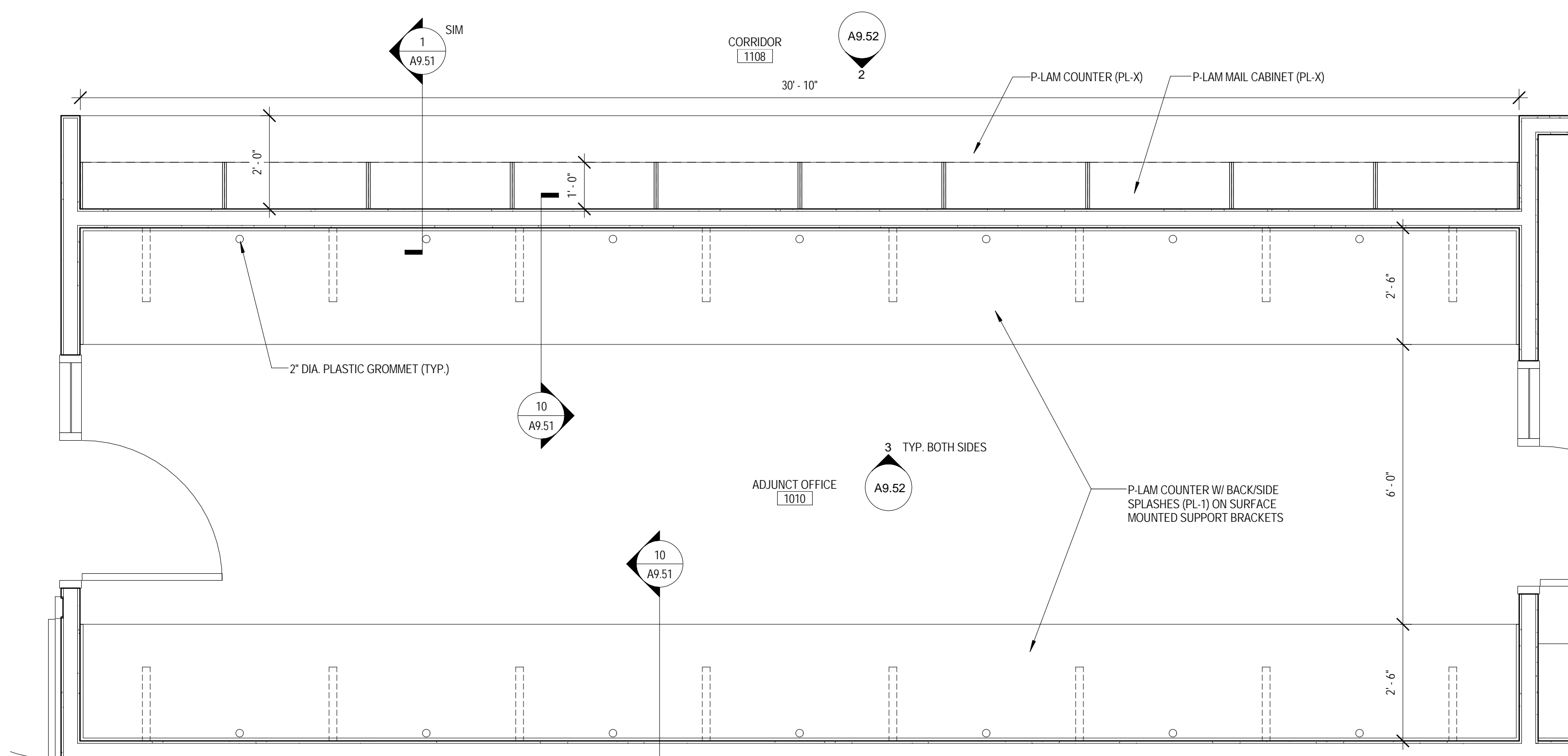
SHEET STATUS: 9/21/15
ISSUED FOR CONSTRUCTION

NO.	DESCRIPTION:	DATE:

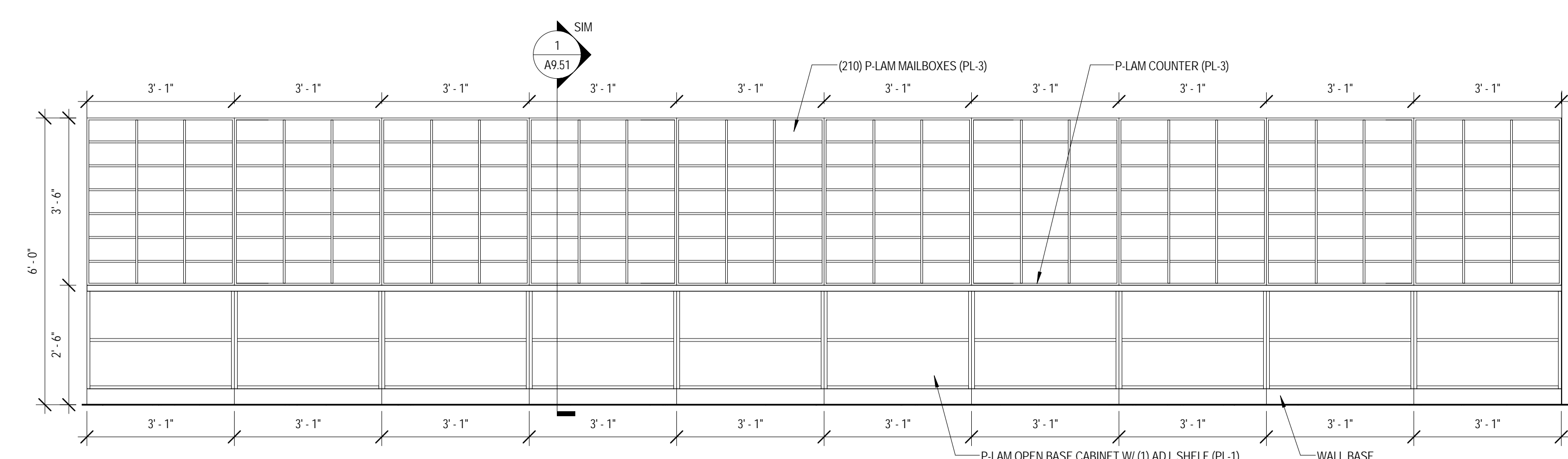
SHEET TITLE:
MILLWORK DETAILS

SHEET NUMBER:

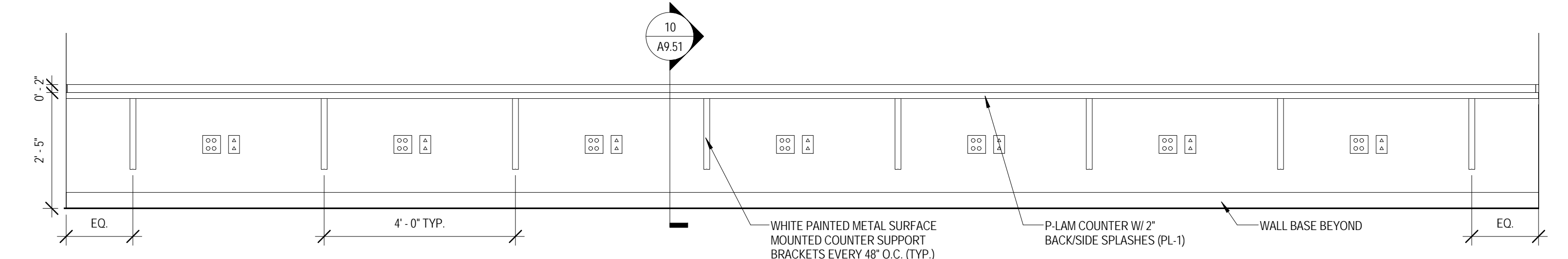
A9.51



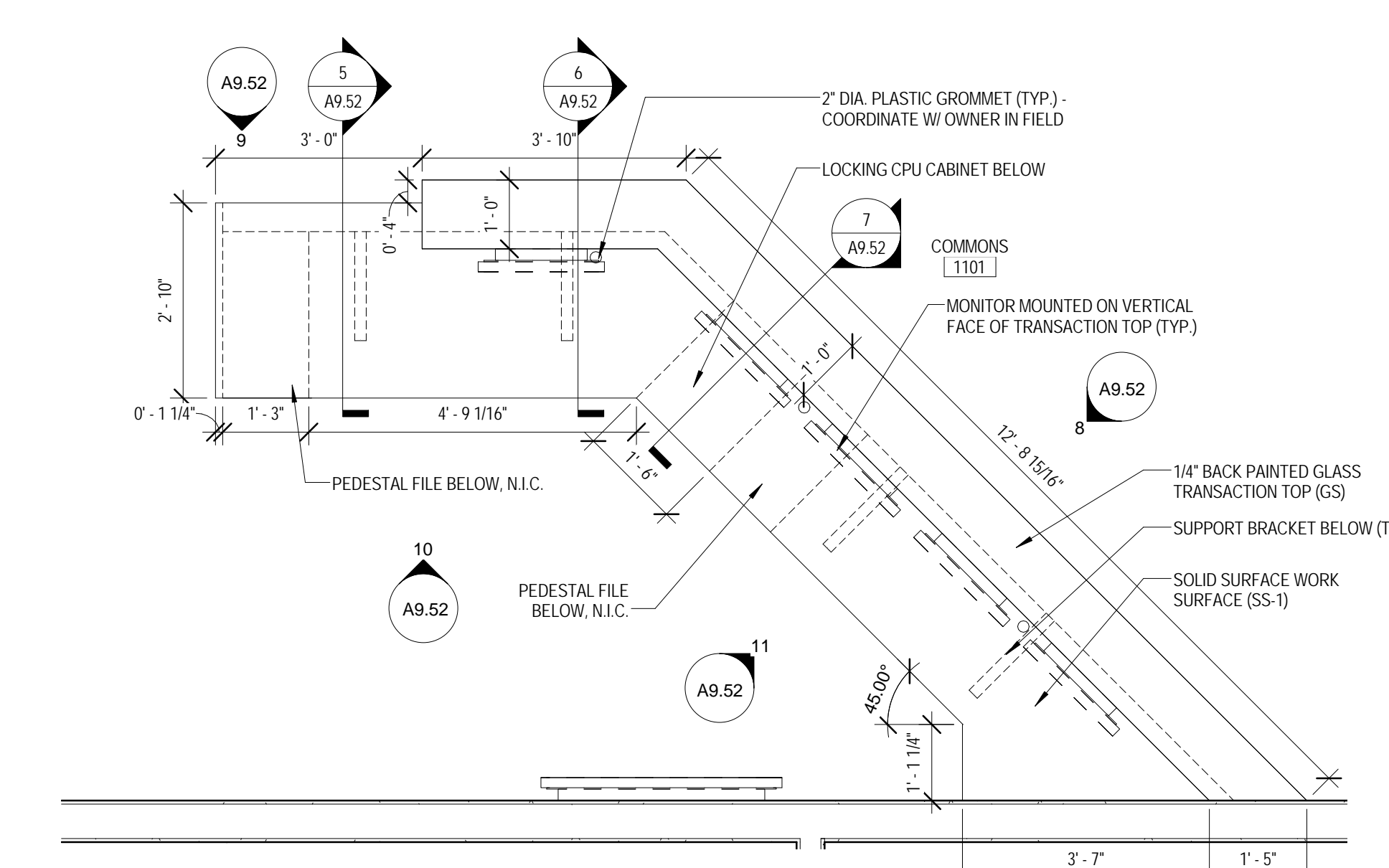
1 ENLARGED PLAN - MILLWORK - ADJUNCT OFFICE 1010
 1/2" = 1'-0"



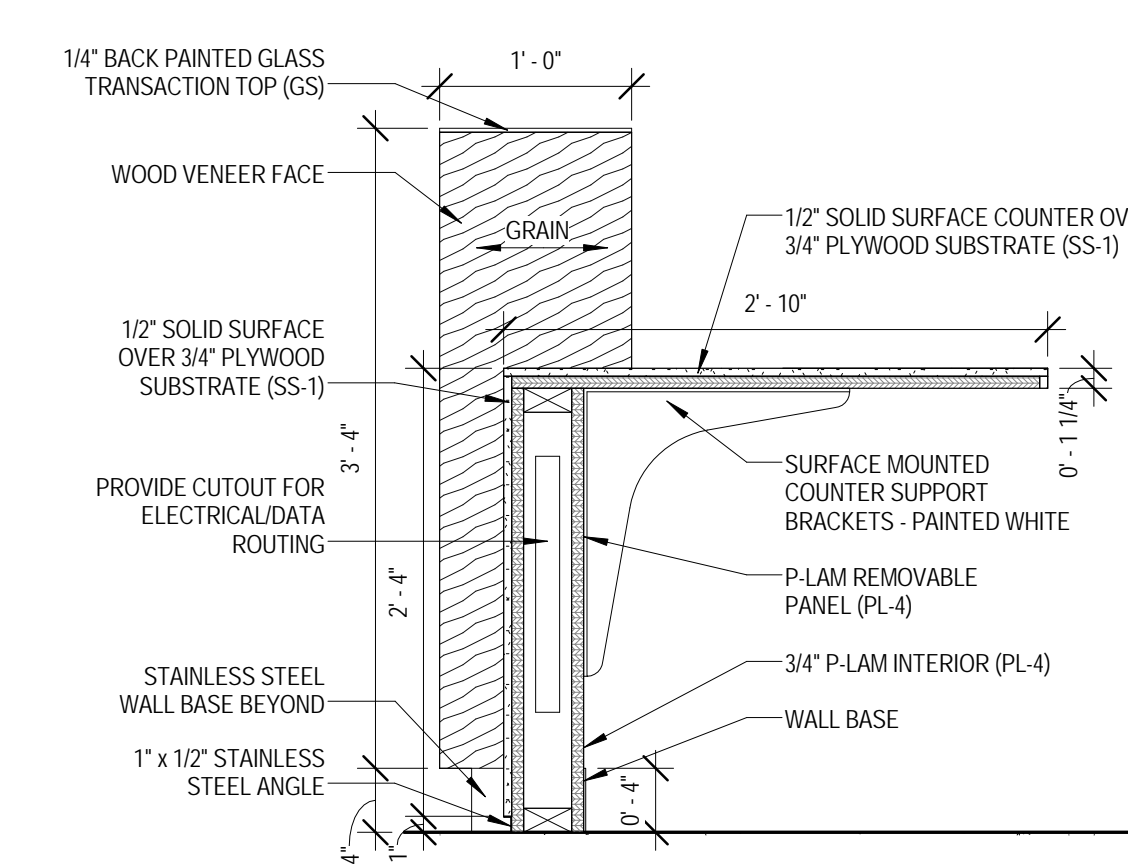
2 MILLWORK ELEVATION - CORRIDOR 1108 - SOUTH
 1/2" = 1'-0"



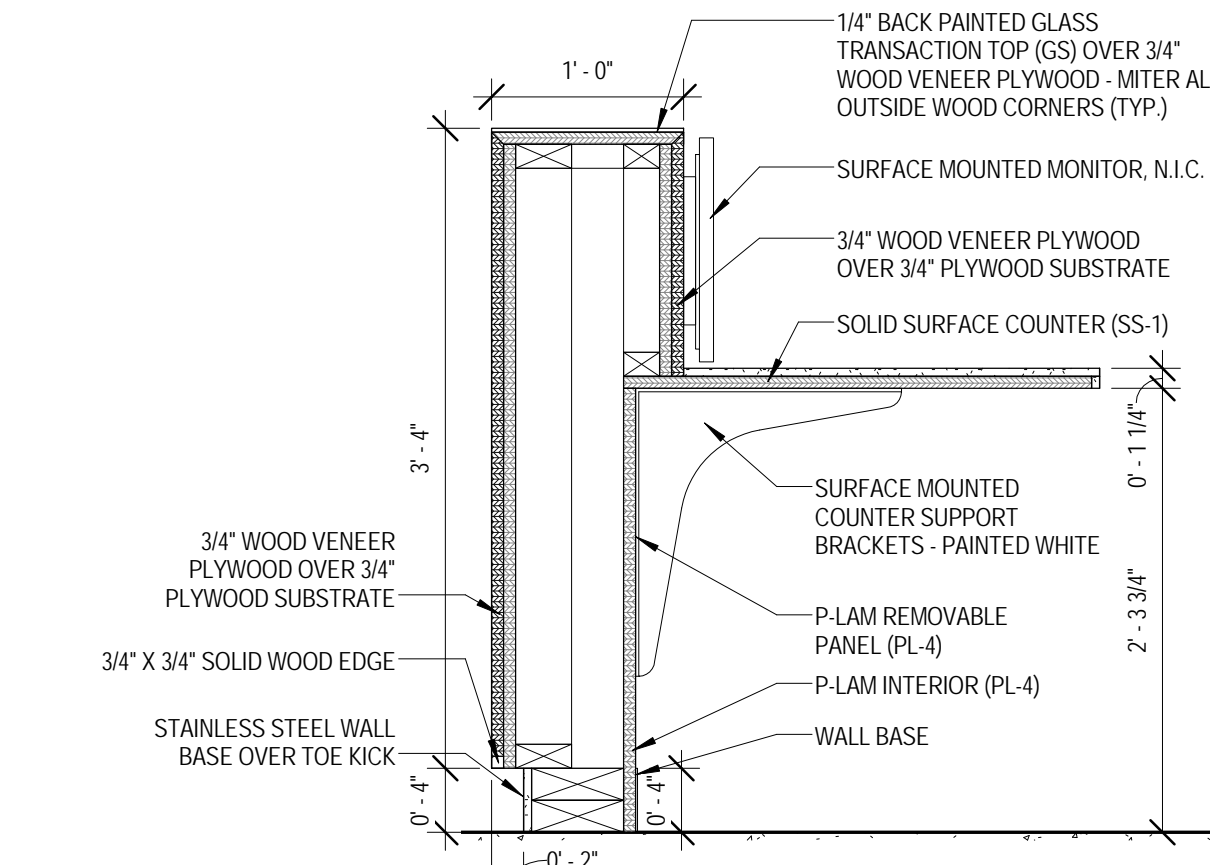
3 MILLWORK ELEVATION - ADJUNCT OFFICE 1010
 1/2" = 1'-0"



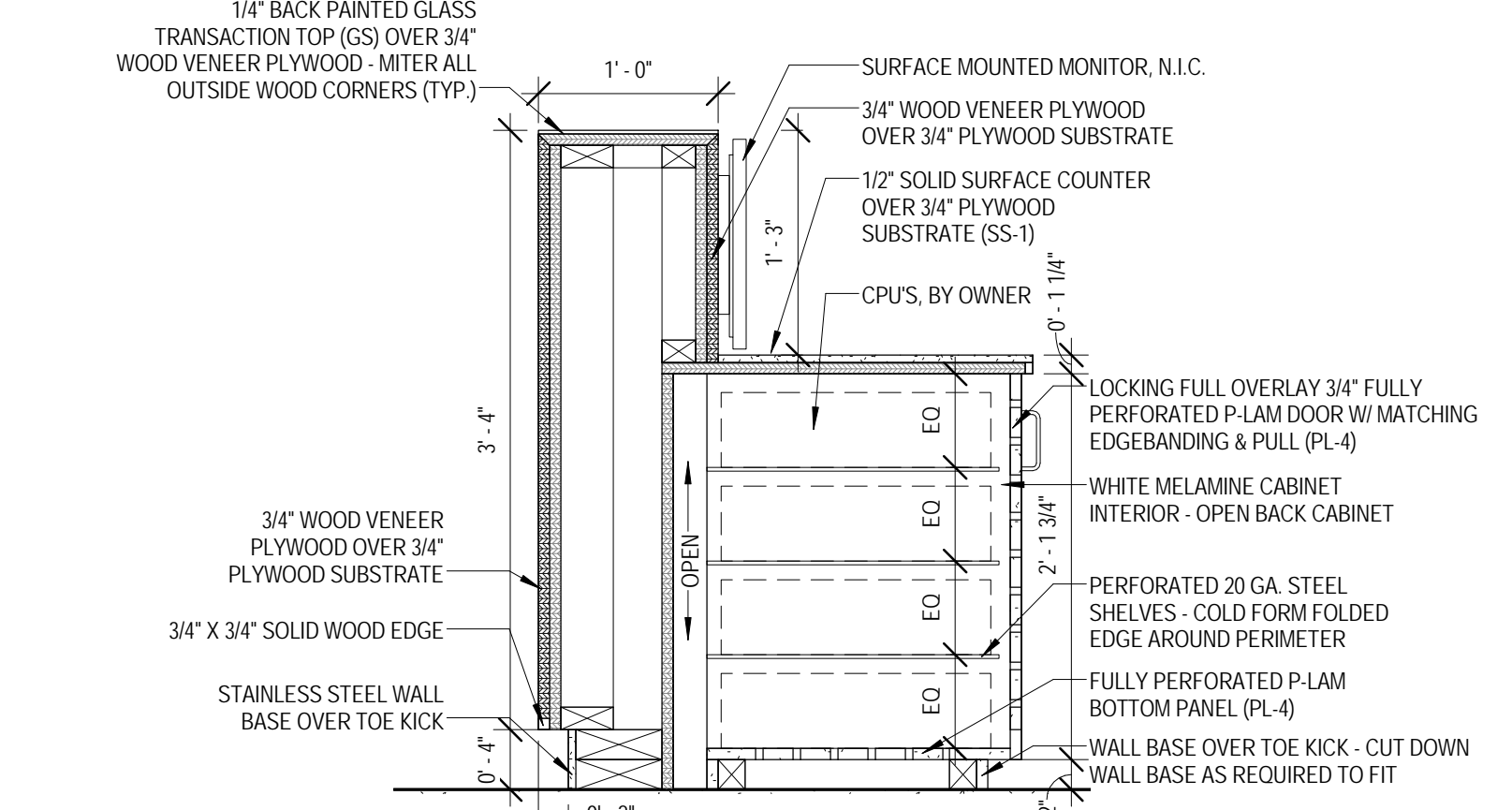
4 ENLARGED PLAN - MILLWORK - COMMONS 1101
 1/2" = 1'-0"



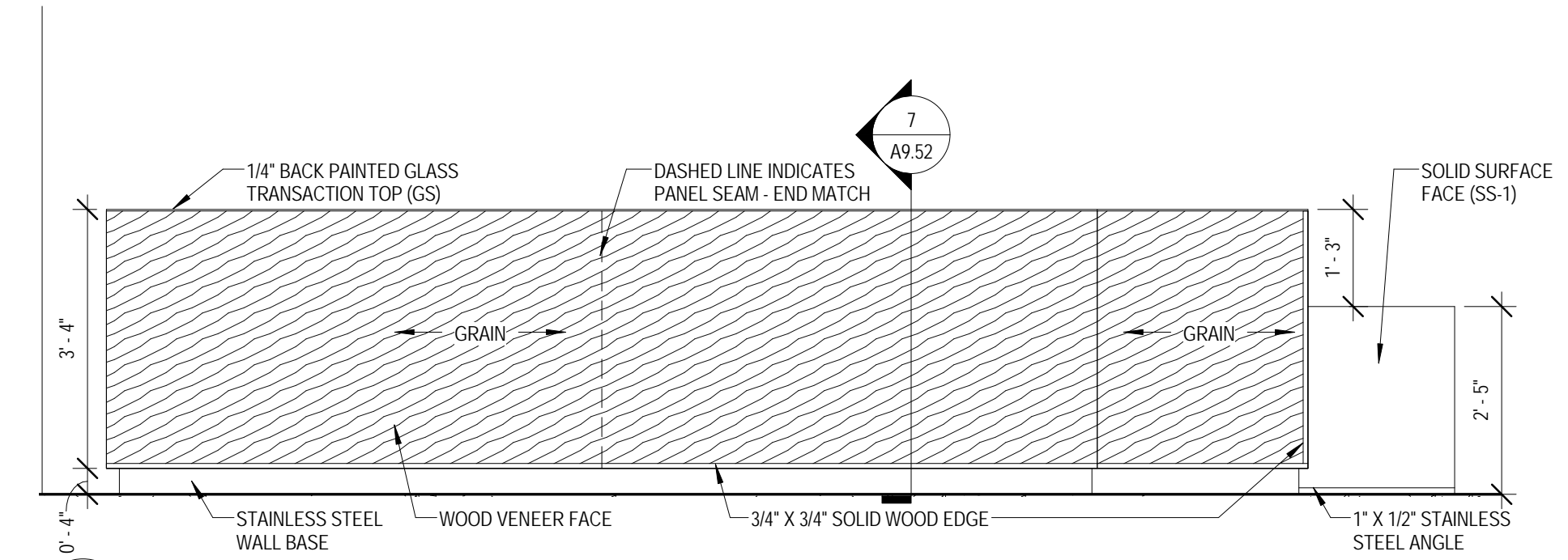
5 MILLWORK SECTION - COMMONS 1101 A
 1" = 1'-0"



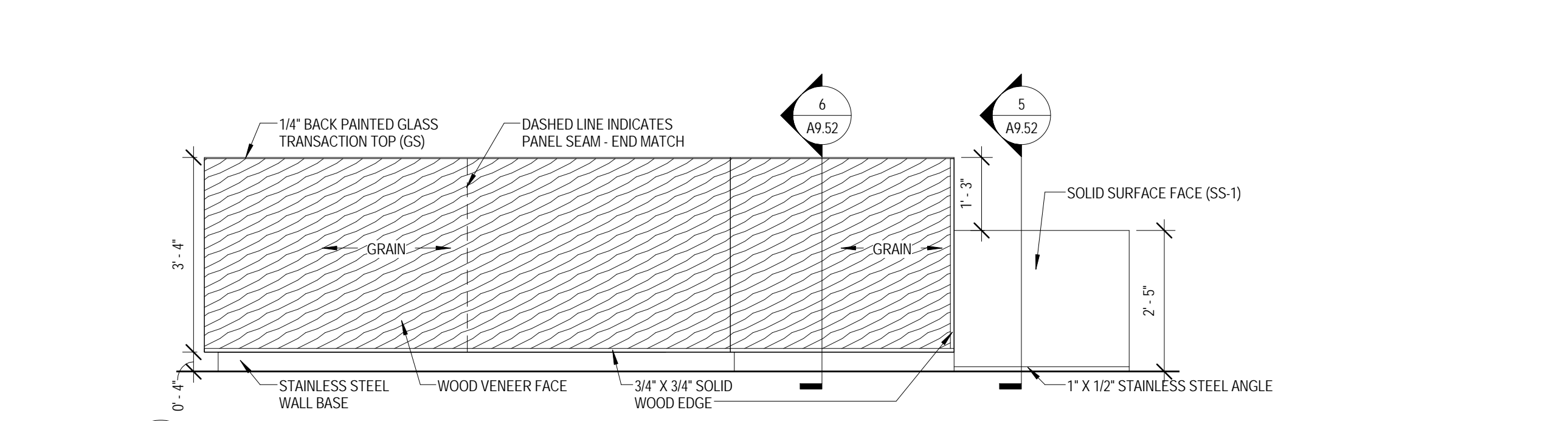
6 MILLWORK SECTION - COMMONS 1101 B
 1" = 1'-0"



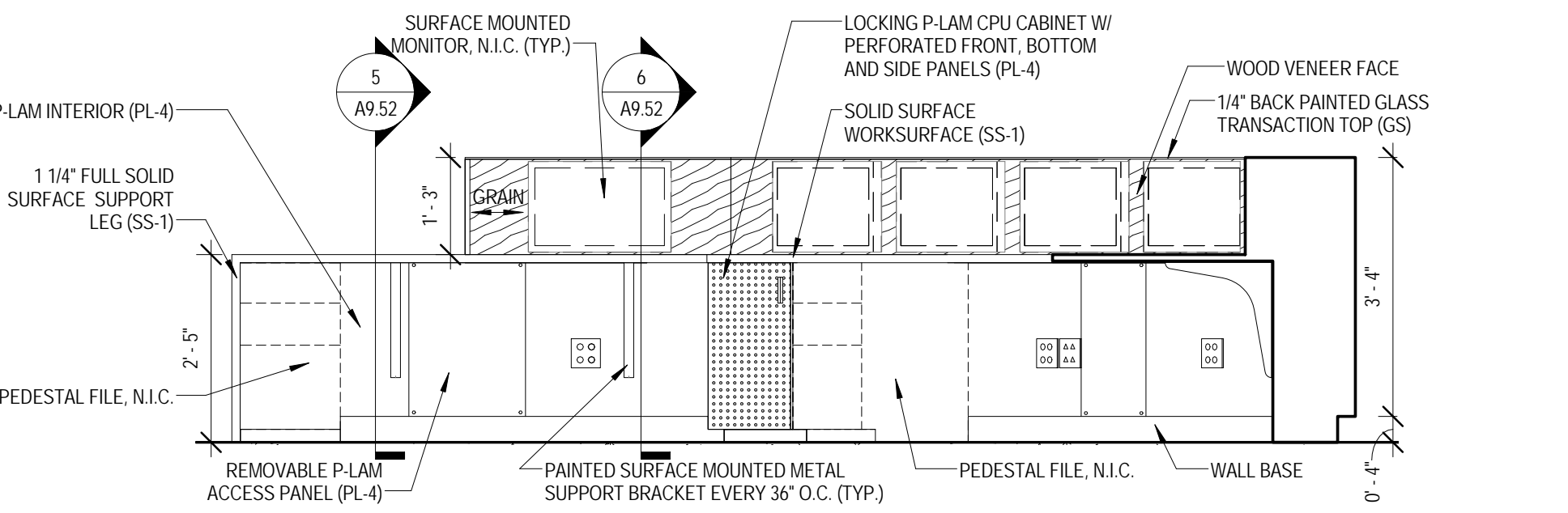
7 MILLWORK SECTION - COMMONS 1101 C
 1" = 1'-0"



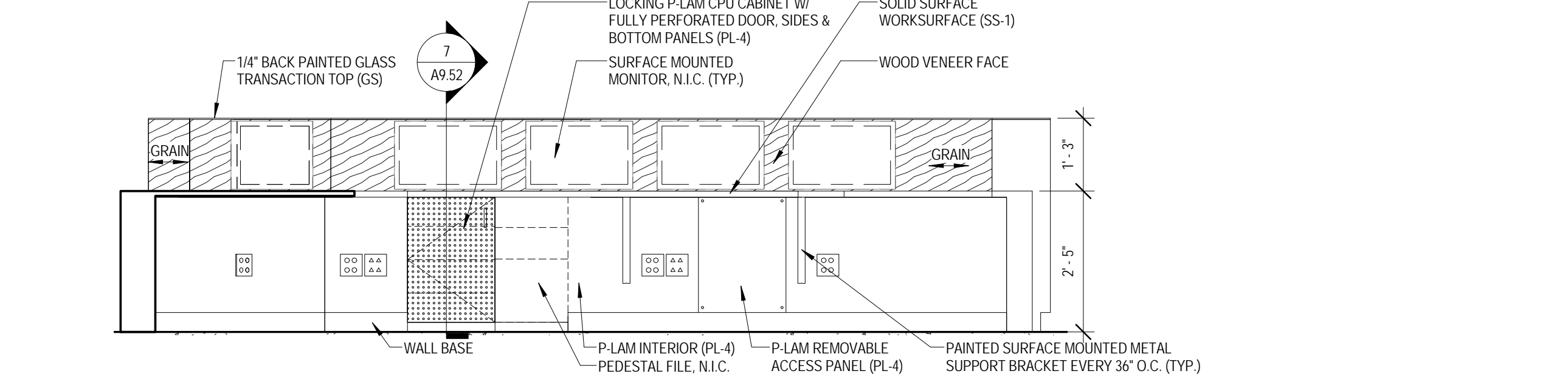
8 MILLWORK ELEVATION - COMMONS 1101 A
 1/2" = 1'-0"



9 MILLWORK ELEVATION - COMMONS 1101 B
 1/2" = 1'-0"



10 MILLWORK ELEVATION - COMMONS 1101 INTERIOR A
 1/2" = 1'-0"



11 MILLWORK ELEVATION - COMMONS 1101 INTERIOR B
 1/2" = 1'-0"

MILLWORK FINISH TYPES:			
TYPE	DESCRIPTION	MANUFACTURER	NAME/COLOR
ES-1	WHITE ENGINEERED STONE	WILSONART	LYRA 02001
ES-2	CHARCOAL ENGINEERED STONE	ZODIAC	STORM GREY
PL-1	WOOD GRAIN LAMINATE	FORMICA	7012-88 AMBER MAPLE
PL-2	GRAY LAMINATE	NEVAMAR	VA6001T CALM DISTINCTION
PL-3	ORANGE LAMINATE	ARBORITE	P-260 CA TATAMI SABI
PL-4	WHITE LAMINATE	FORMICA	459-58 BRUTE WHITE
SS-1	WHITE SOLID SURFACE	KRION	0102 CLEAR NATURE
SS-2	WHITE SOLID SURFACE (WINDOW SILLS)	MEGANITE	BRIGHT WHITE 001
SS-3	1" THK PAPERSTONE	PAPERSTONE	SLATE
SS-4	BLACK SOLID SURFACE	MEGANITE	810 RAVEN BOULDER



ARCHITECT OF RECORD
DEMIONA KEMPER ARCHITECTS
 125 N. HALSTED STREET, SUITE 301
 CHICAGO, IL 60661
 P: 312.496.0000

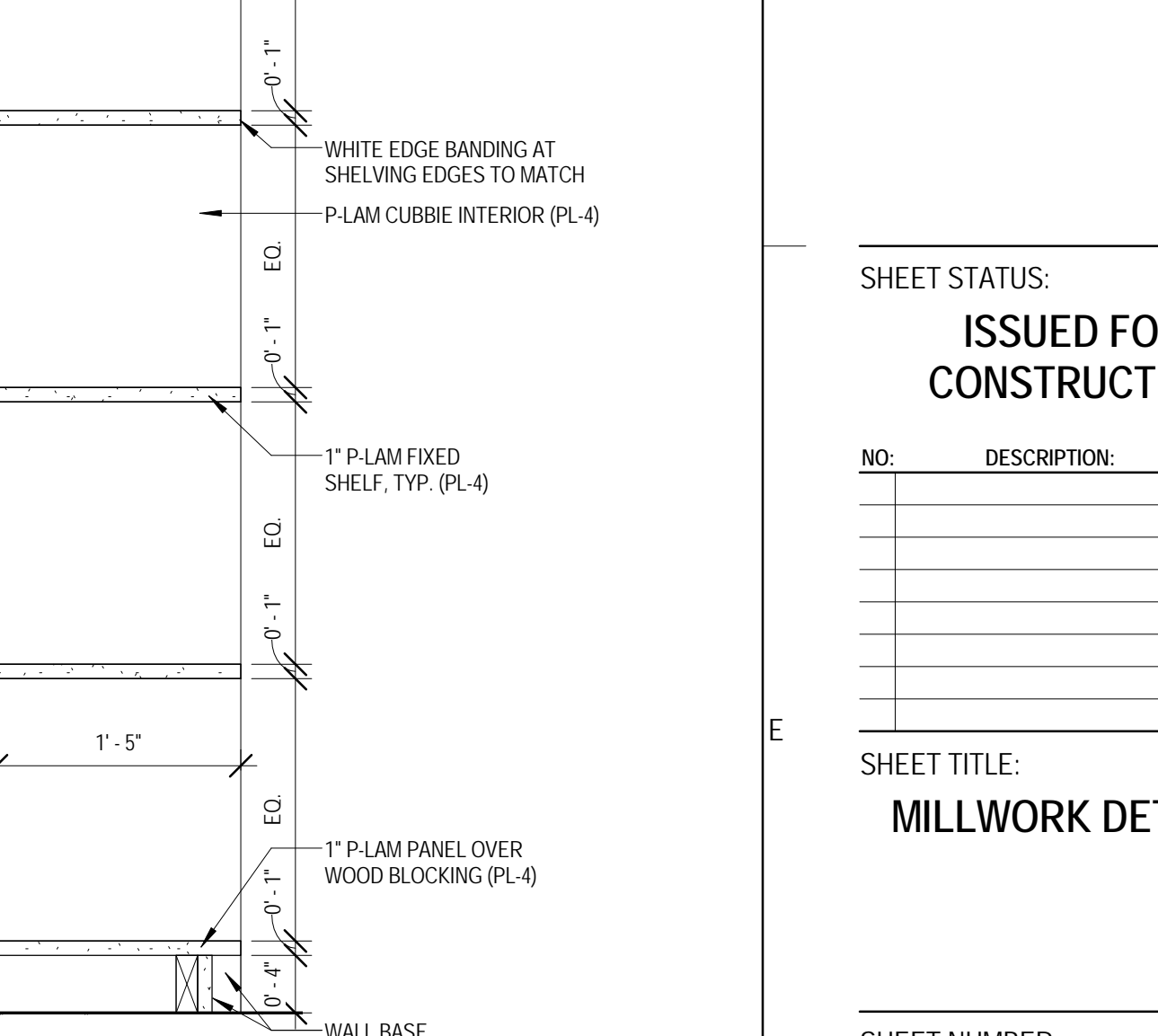
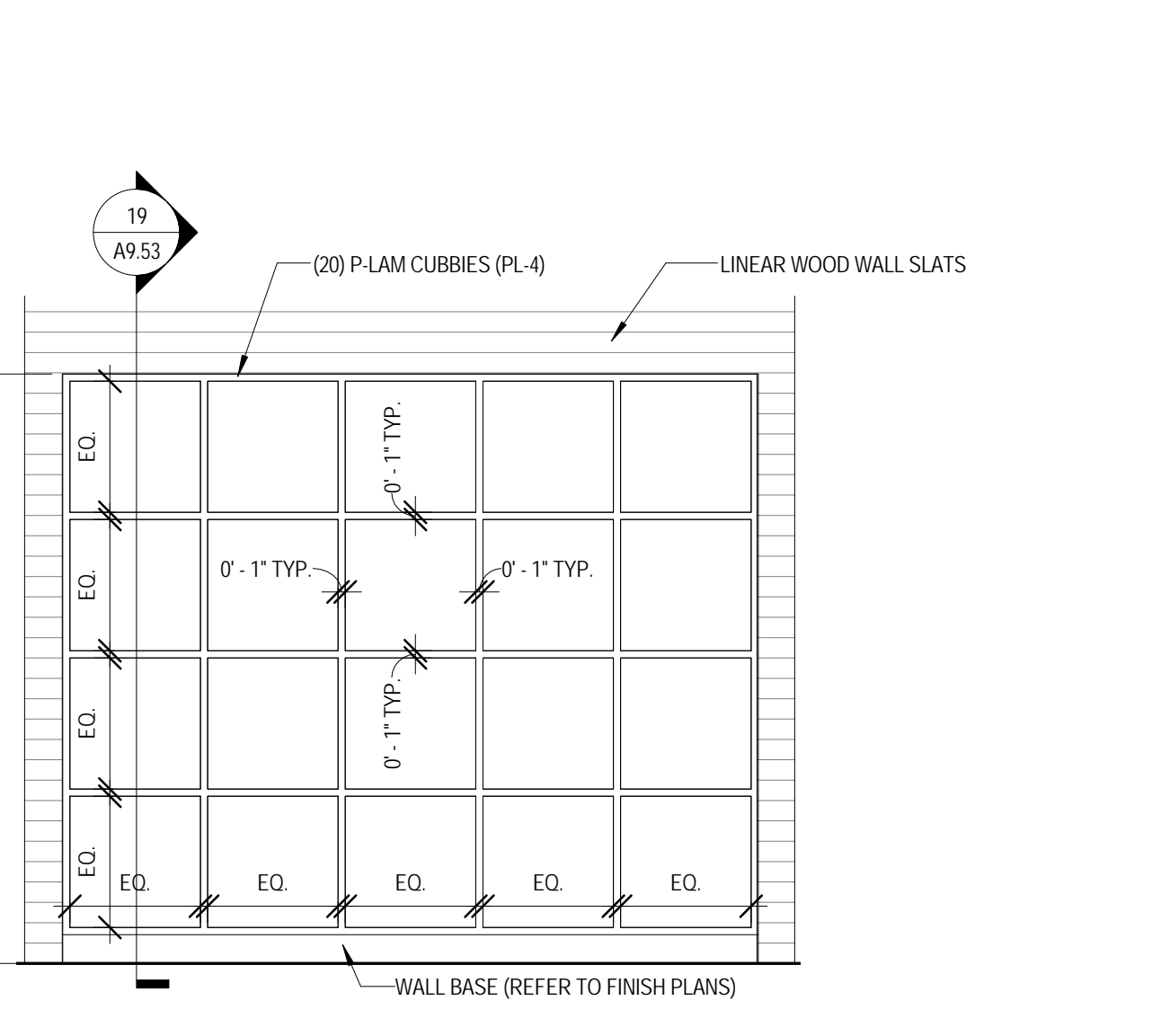
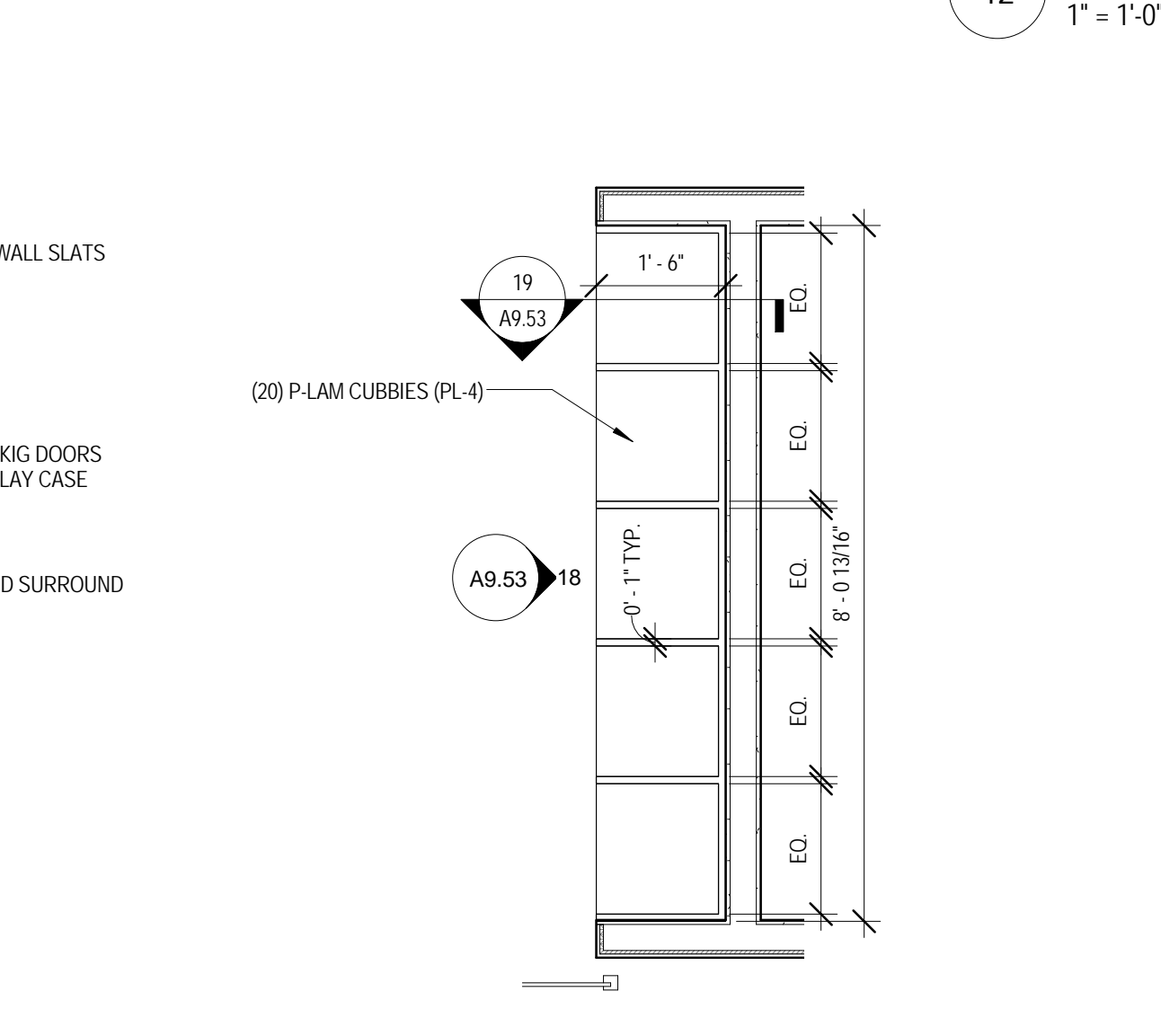
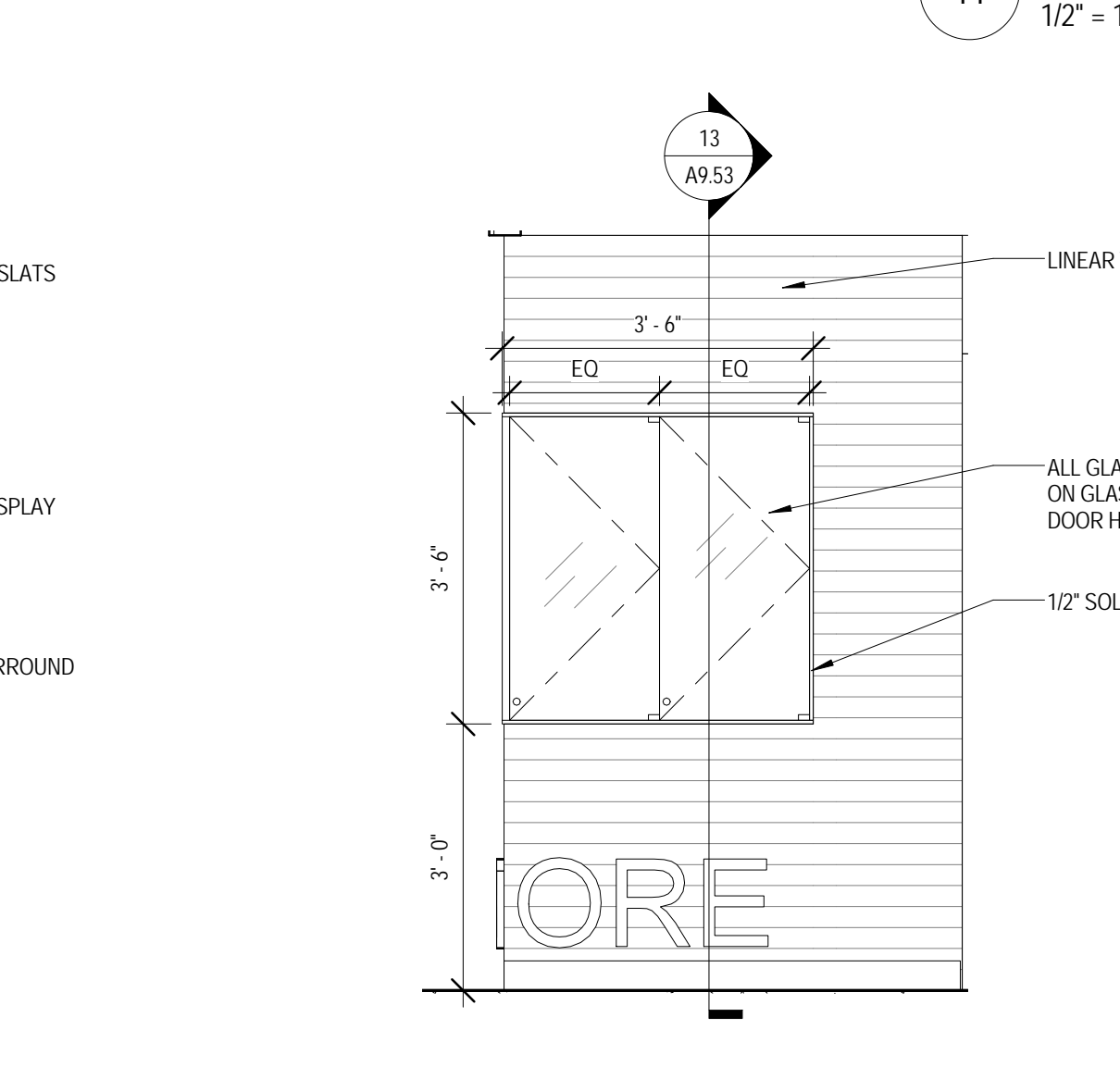
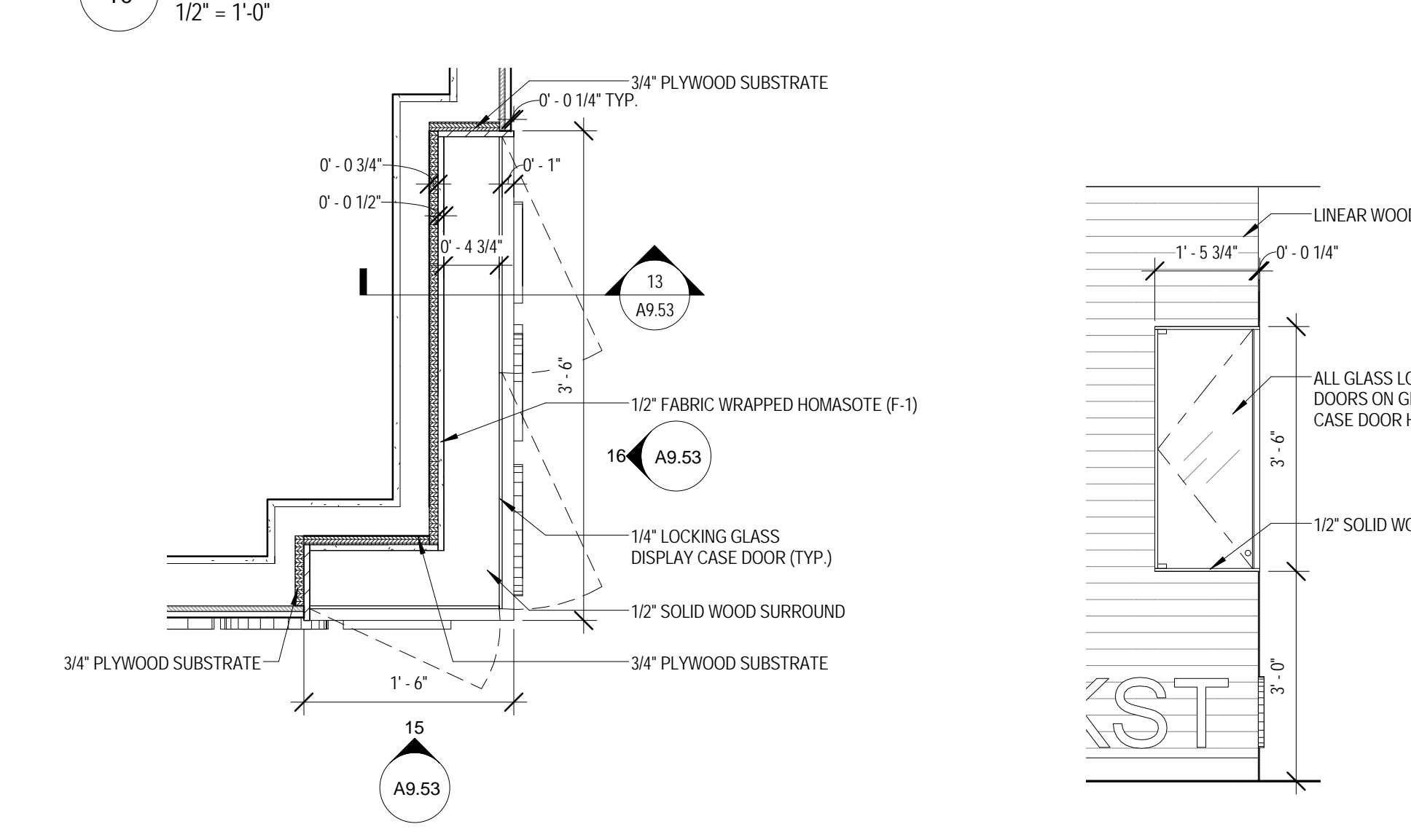
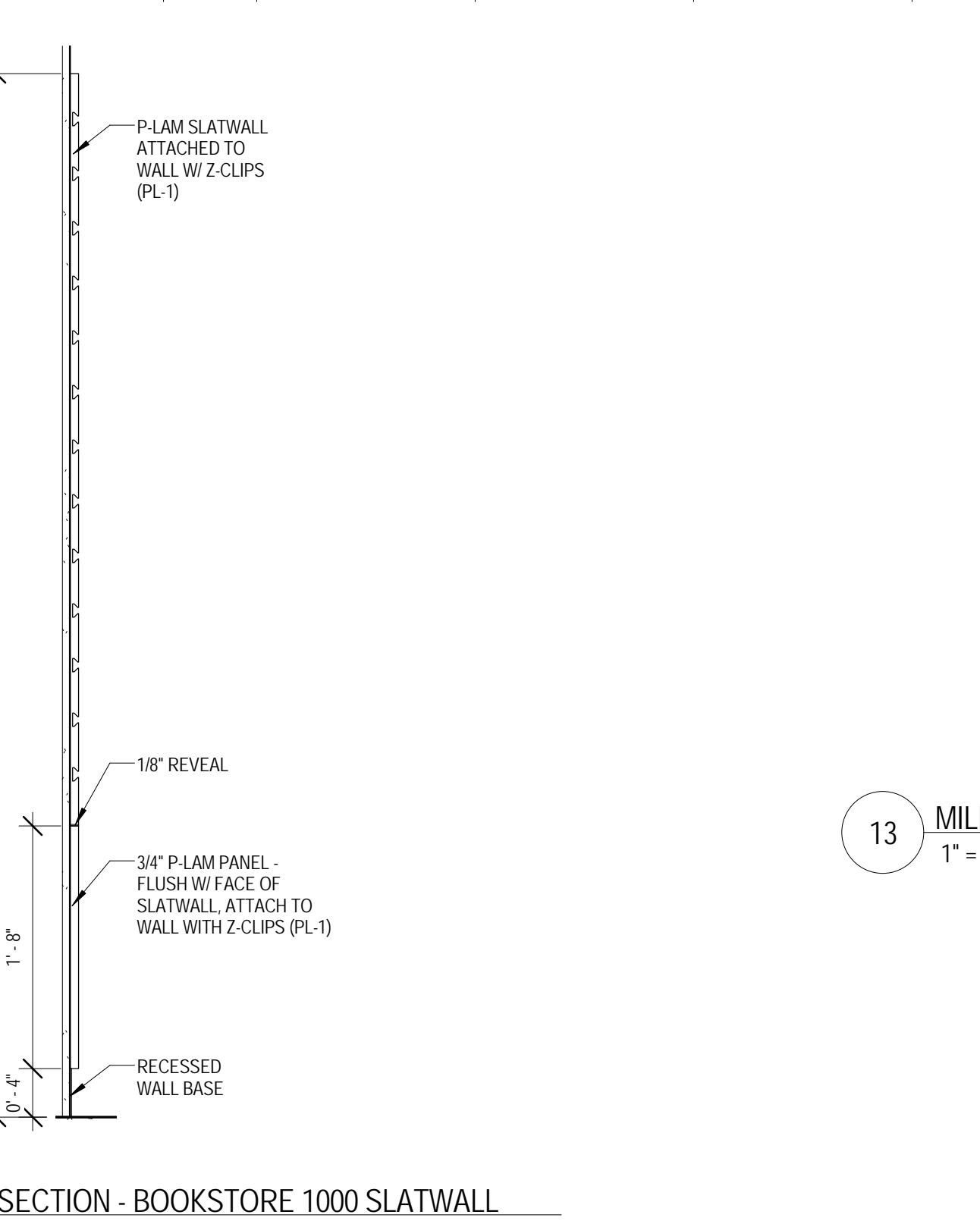
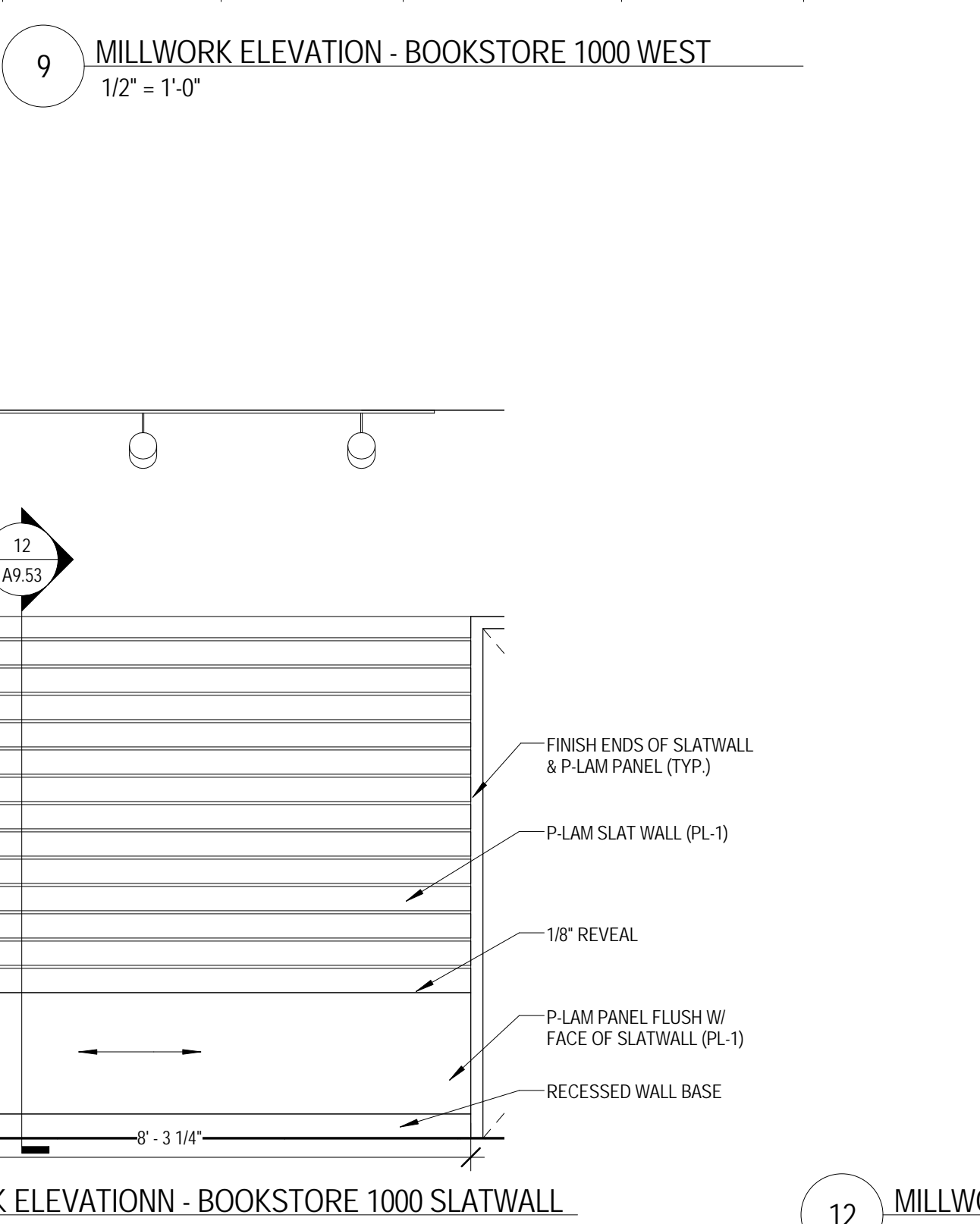
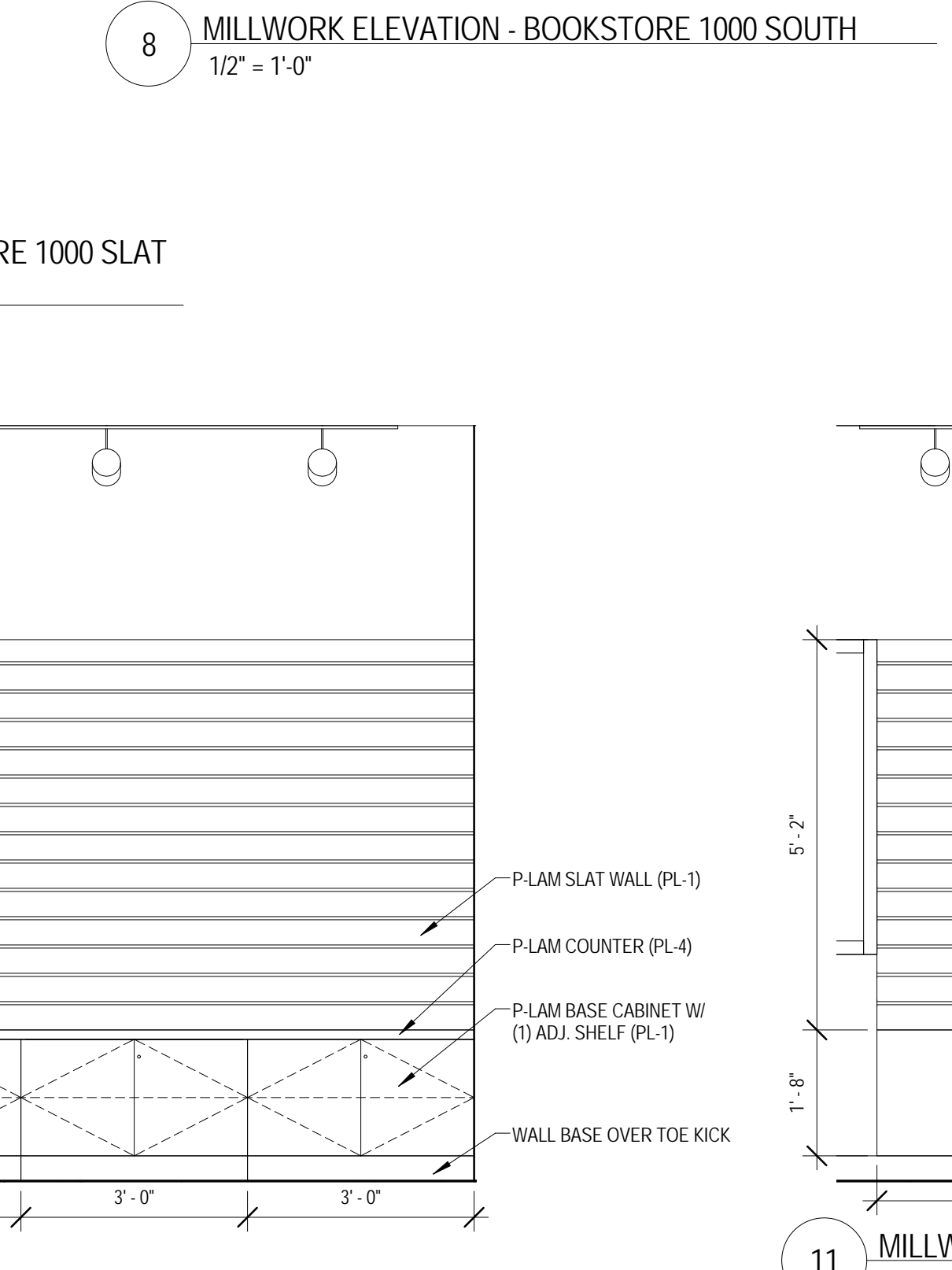
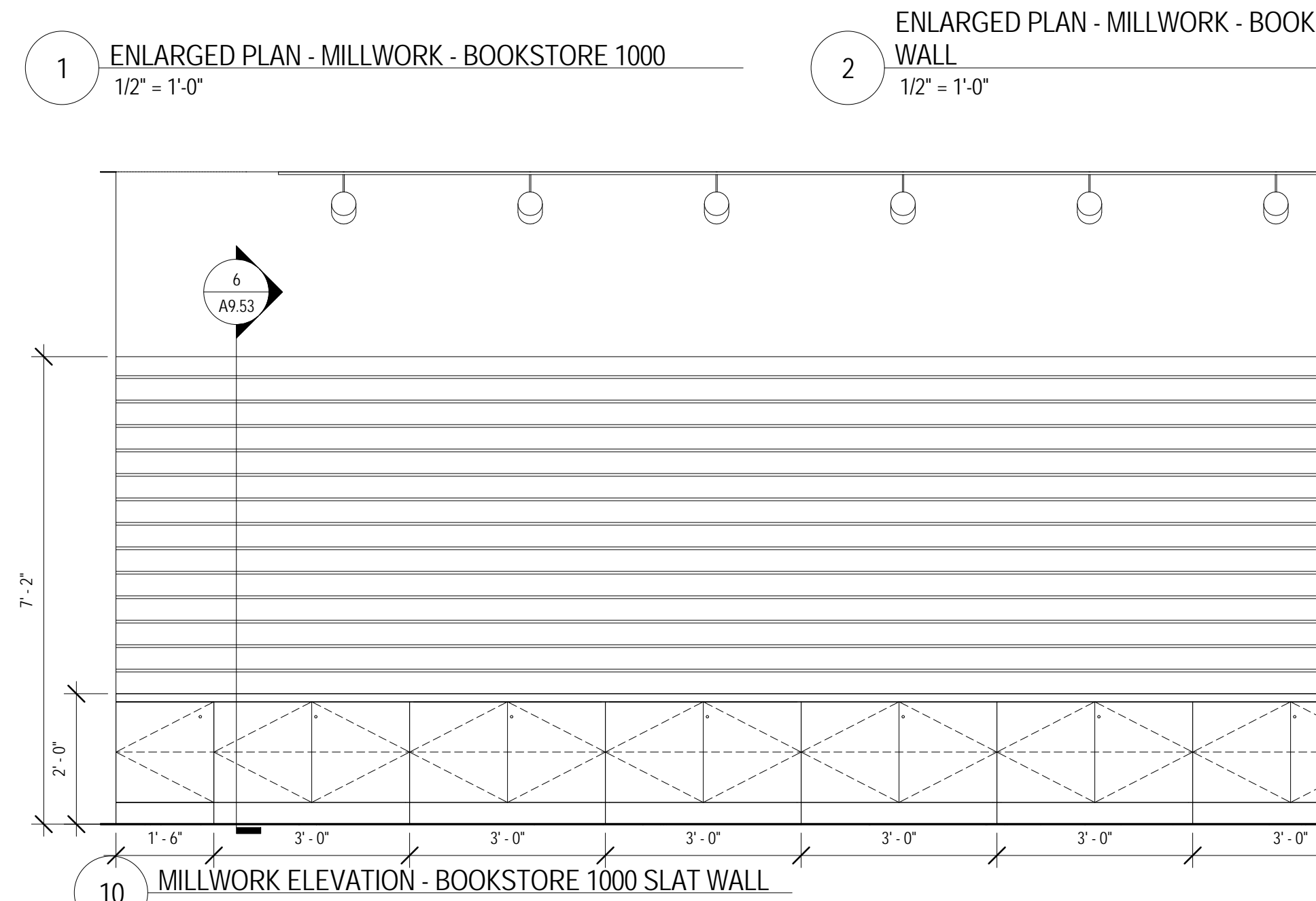
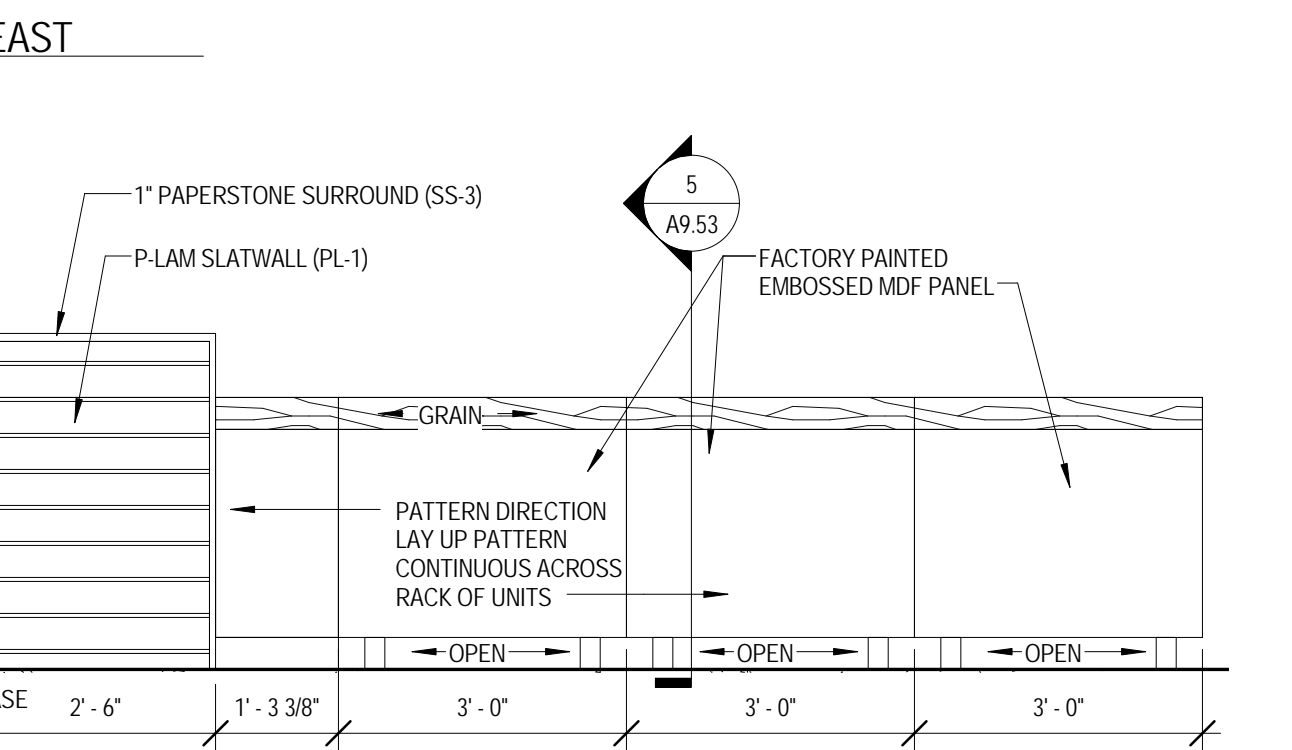
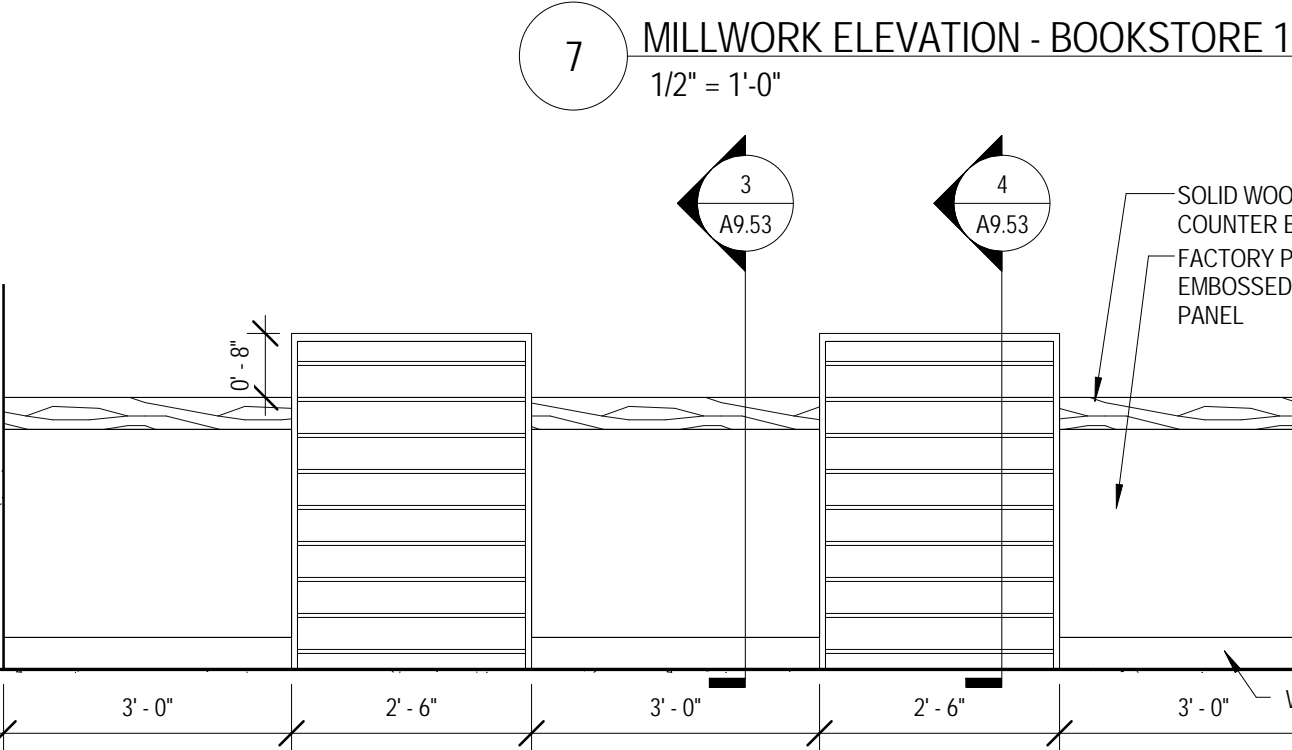
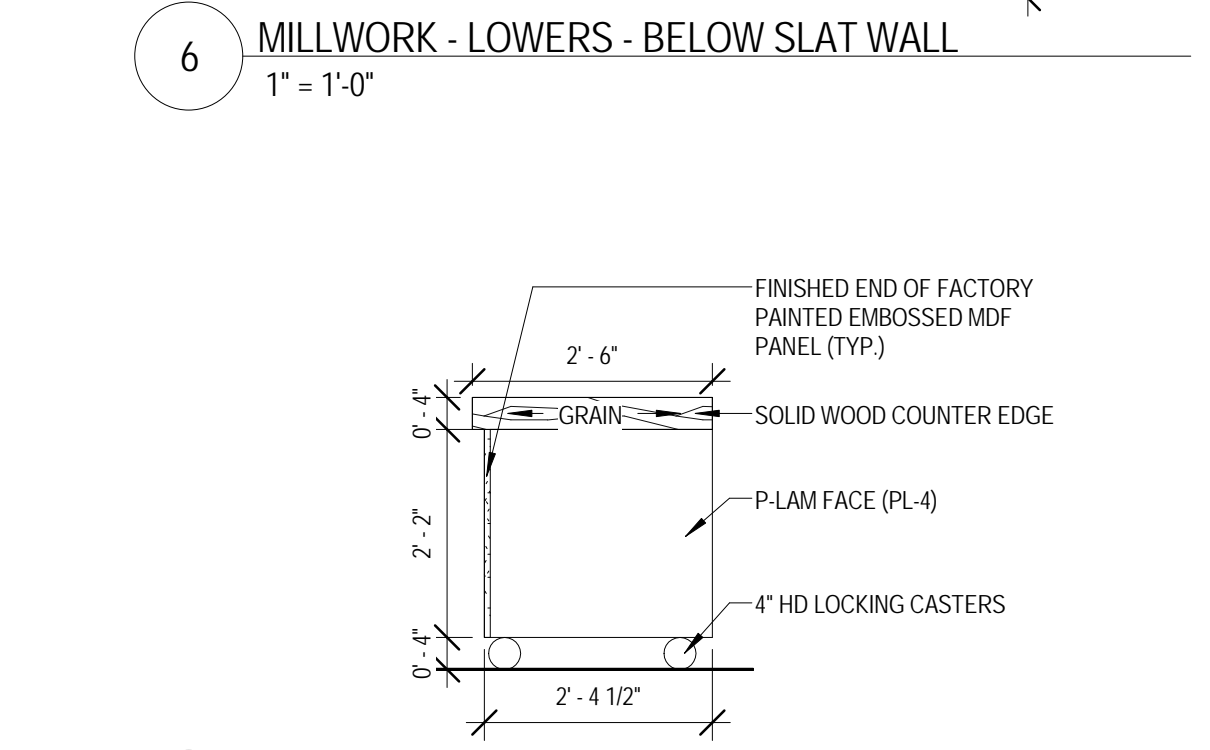
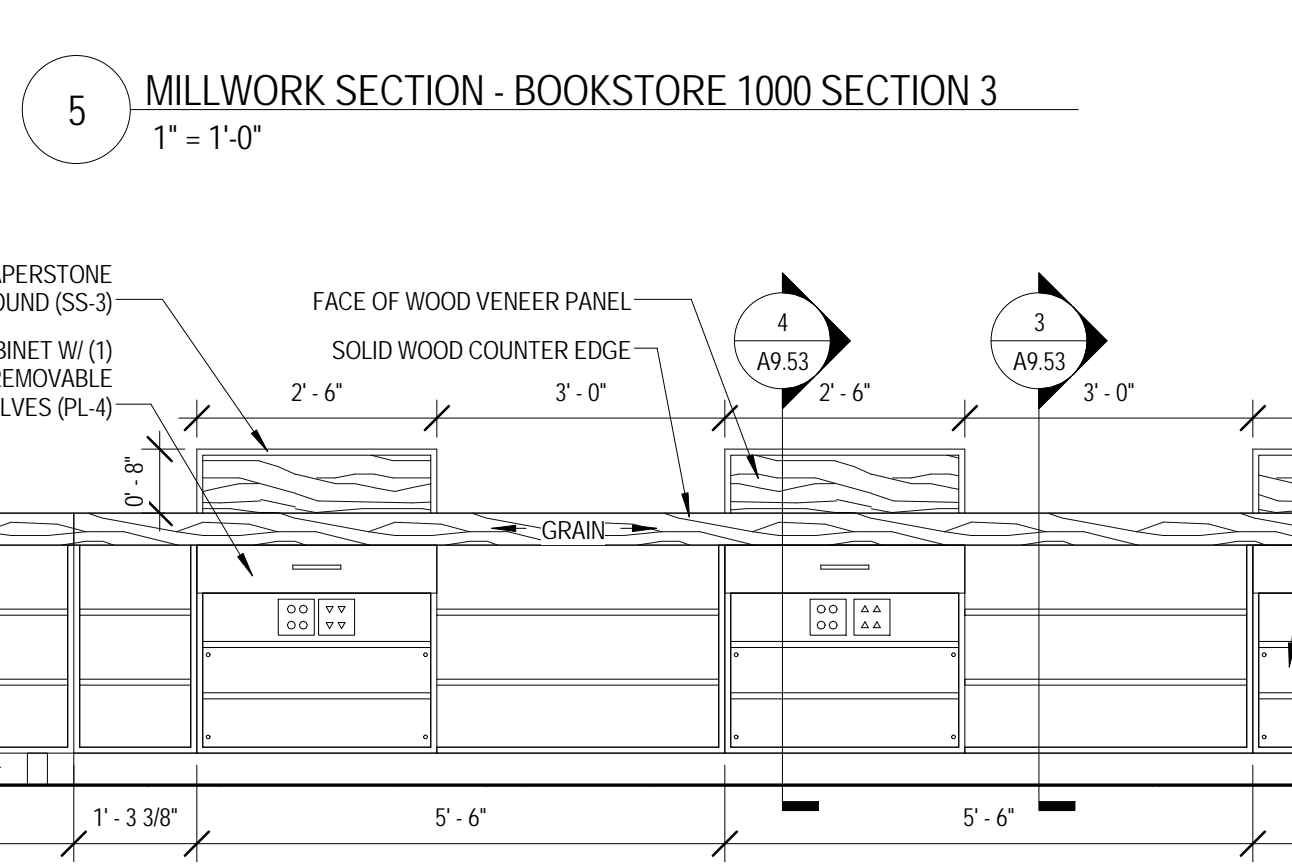
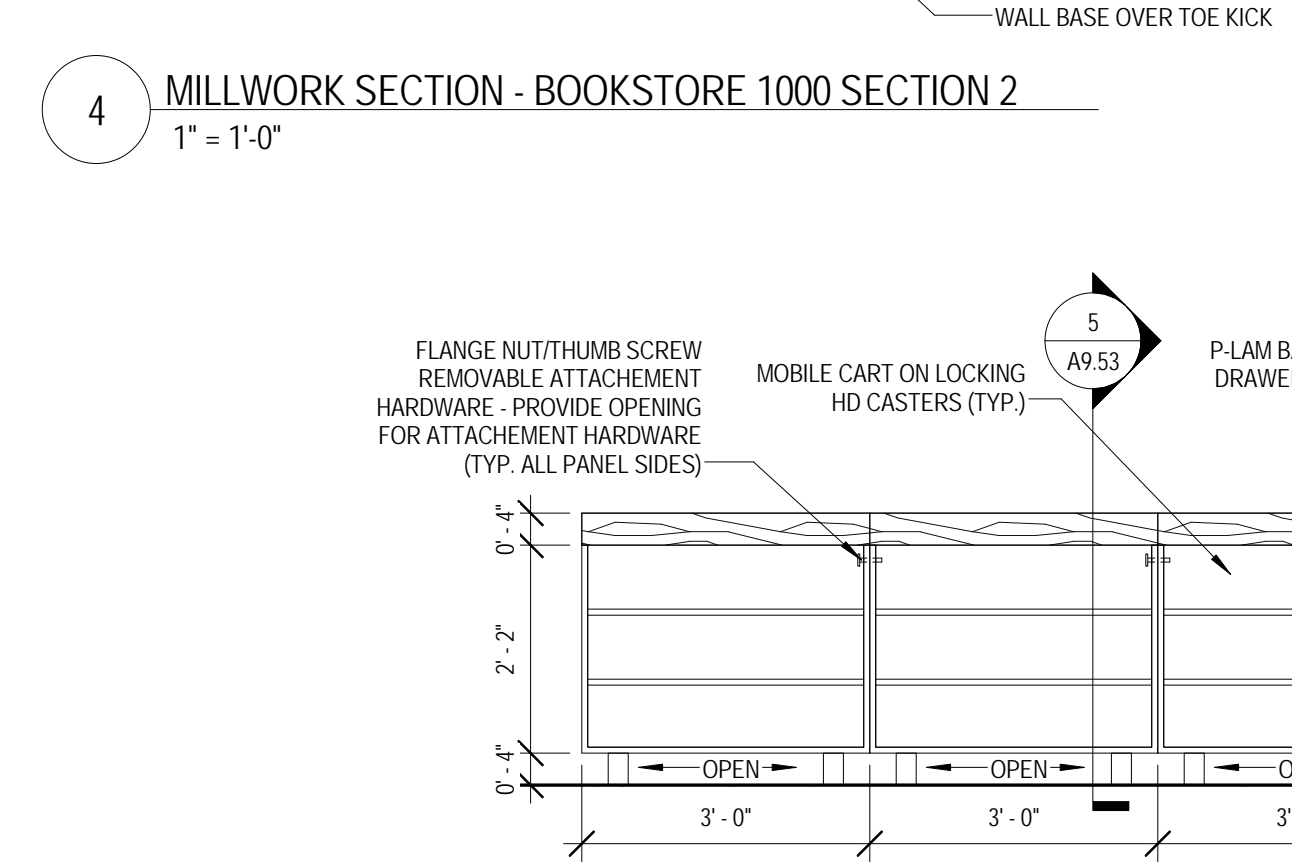
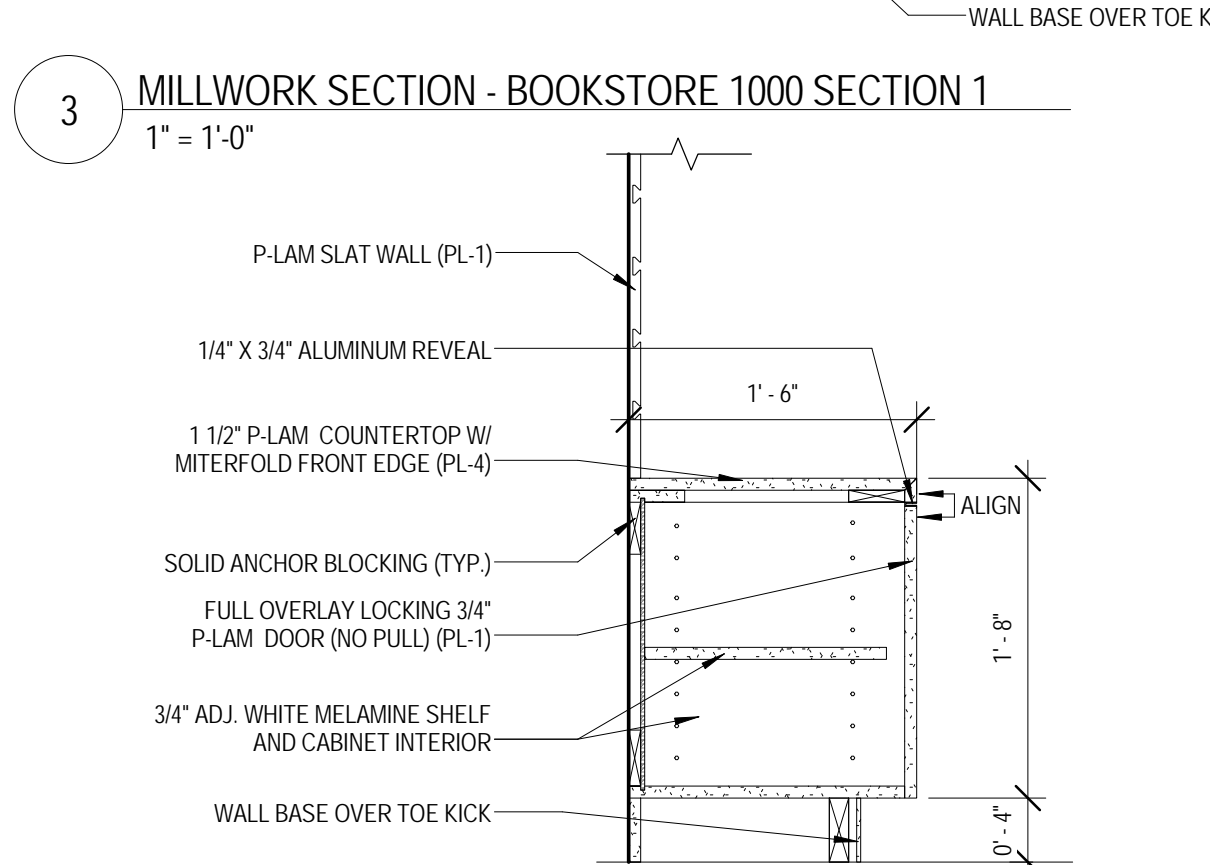
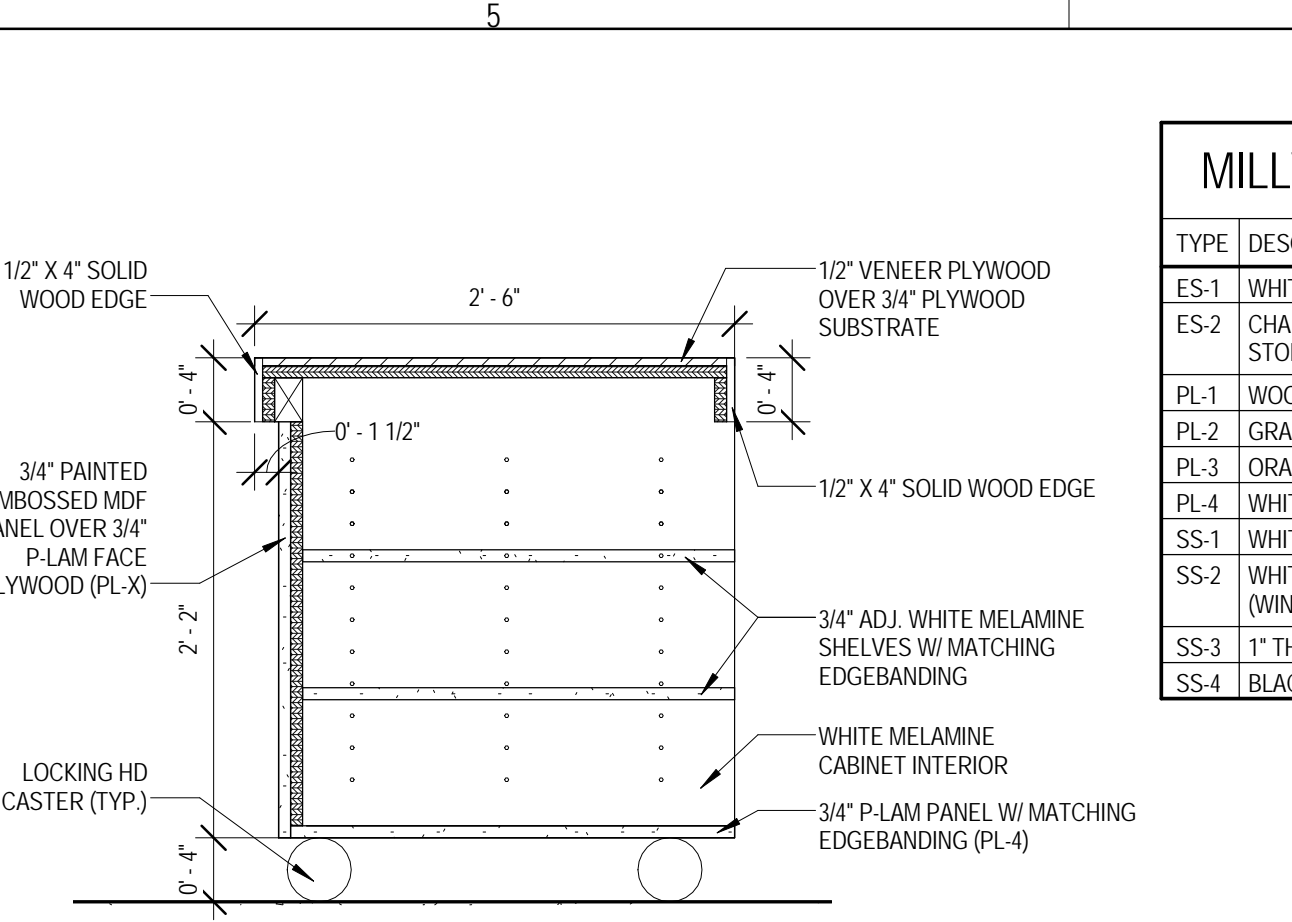
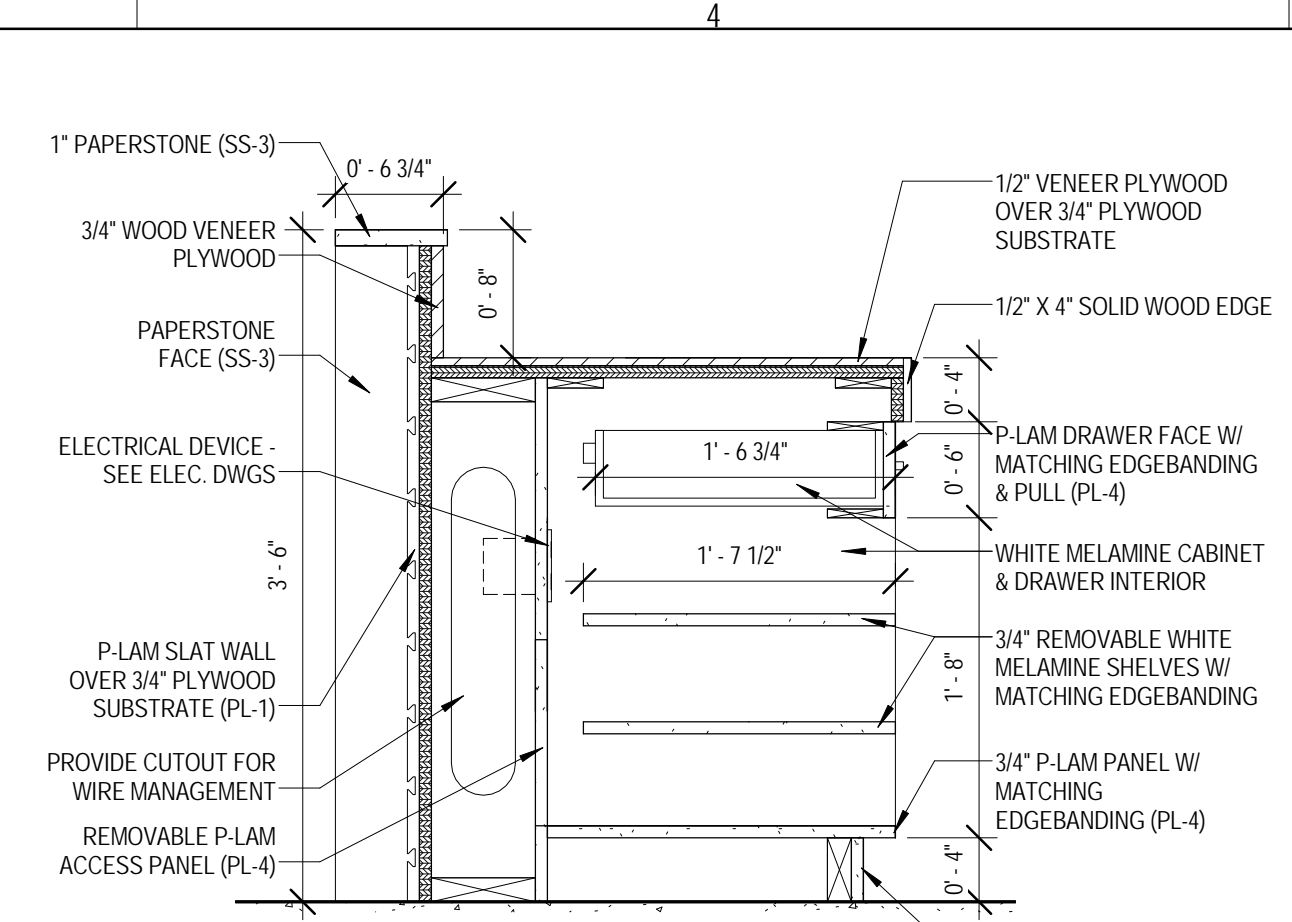
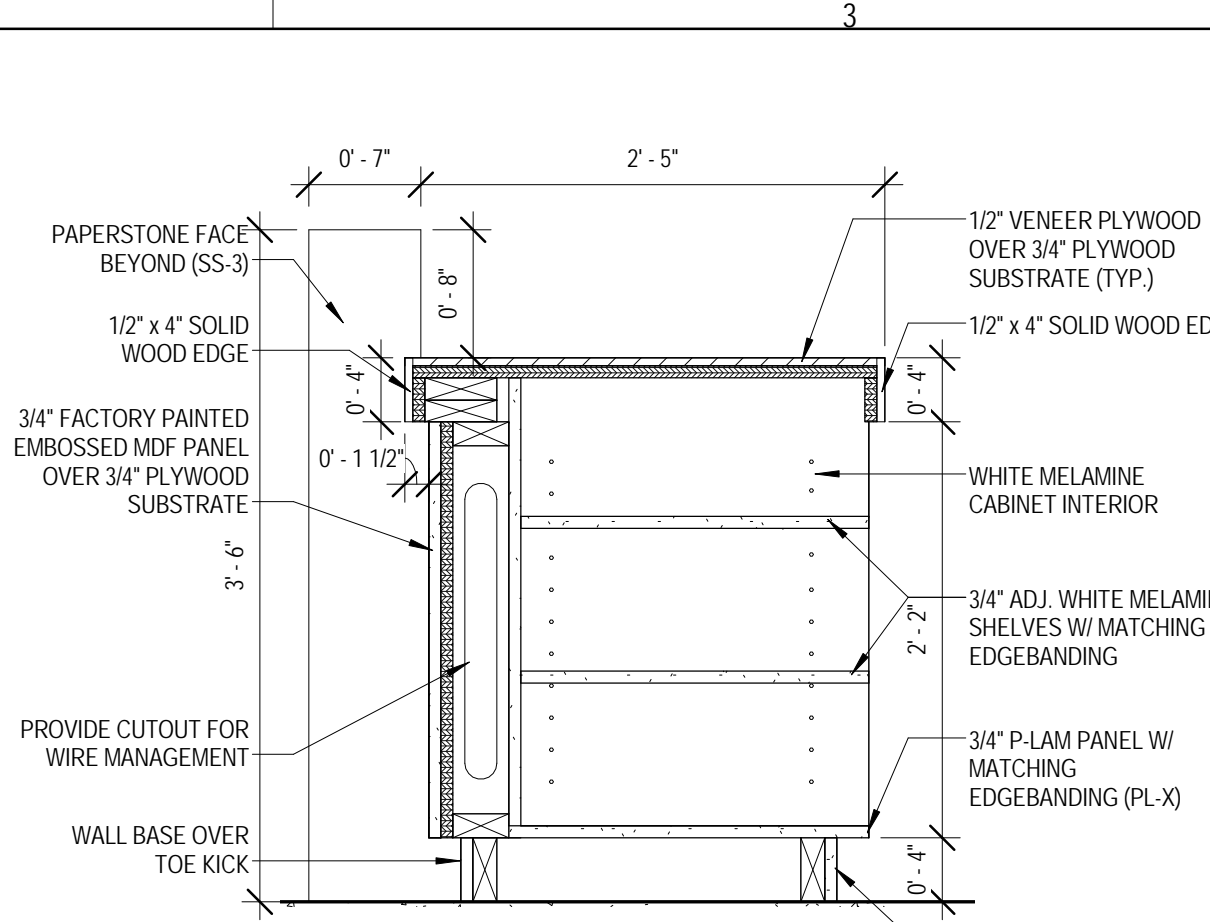
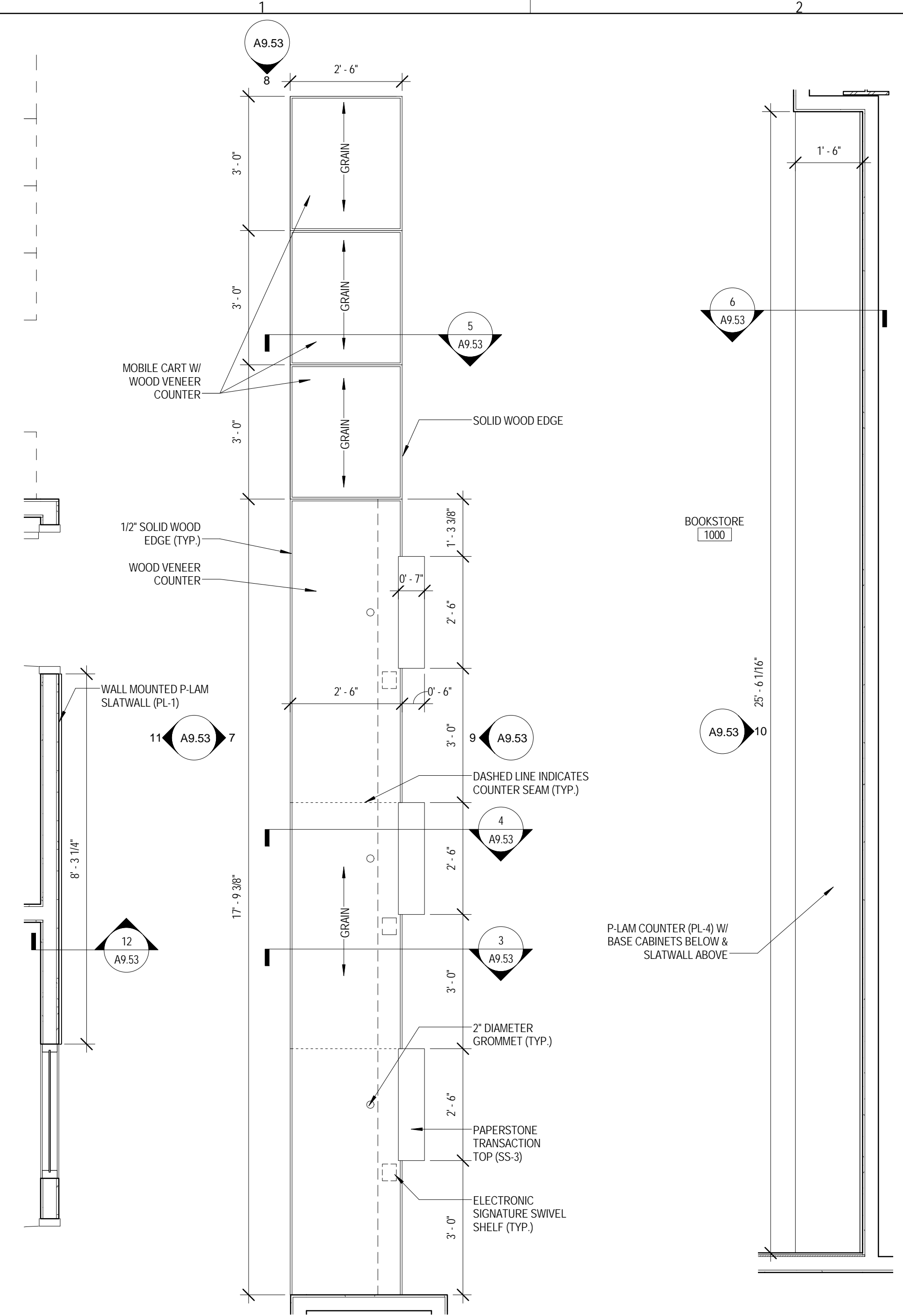
STRUCTURAL AND MEP/FP ENGINEERING
KJWW ENGINEERING CONSULTANTS
 1100 WARRENVILLE RD. SUITE
 400W NAPERVILLE, IL 60563
 P: 630.527.2320

FOOD SERVICE CONSULTANT
CINI LITTLE INTERNATIONAL, INC.
 200 E. HOWARD AVE. SUITE 212
 DES PLAINES, IL 60018
 P: 817.298.0088

CONSTRUCTION MANAGER
JOLIET JUNIOR COLLEGE
 1215 HOBOLT RD.
 JOLIET, IL 60431
 P: 815.280.2212

JOLIET JUNIOR COLLEGE
ROMEONVILLE CAMPUS EXPANSION
 1125 135th ST. ROMEONVILLE, IL 60446
 DKA PROJECT NO: 14-005

MILLWORK FINISH TYPES:			
TYPE	DESCRIPTION	MANUFACTURER	NAME#/COLOR
ES-1	WHITE ENGINEERED STONE	WILSONART	LYRA C2001
ES-2	CHARCOAL ENGINEERED STONE	ZODIAC	STORM GREY
PL-1	WOOD GRAIN LAMINATE	FORMICA	7012-S8 AMBER MAPLE
PL-2	GRAY LAMINATE	NEVAMAR	VAG001 CALM DISTINCTION
PL-3	ORANGE LAMINATE	ARBORITE	P-260 CA TATAMI SABI
PL-4	WHITE LAMINATE	FORMICA	459-S8 BRITE WHITE
SS-1	WHITE SOLID SURFACE	KIRKON	0102 CLEAR NATURE
SS-2	WHITE SOLID SURFACE (WINDOW SILLS)	MEGANITE	BRIGHT WHITE 001
SS-3	1" THK PAPERSTONE	PAPERSTONE	SLATE
SS-4	BLACK SOLID SURFACE	MEGANITE	810 RAVEN BOULDER



KEY PLAN:

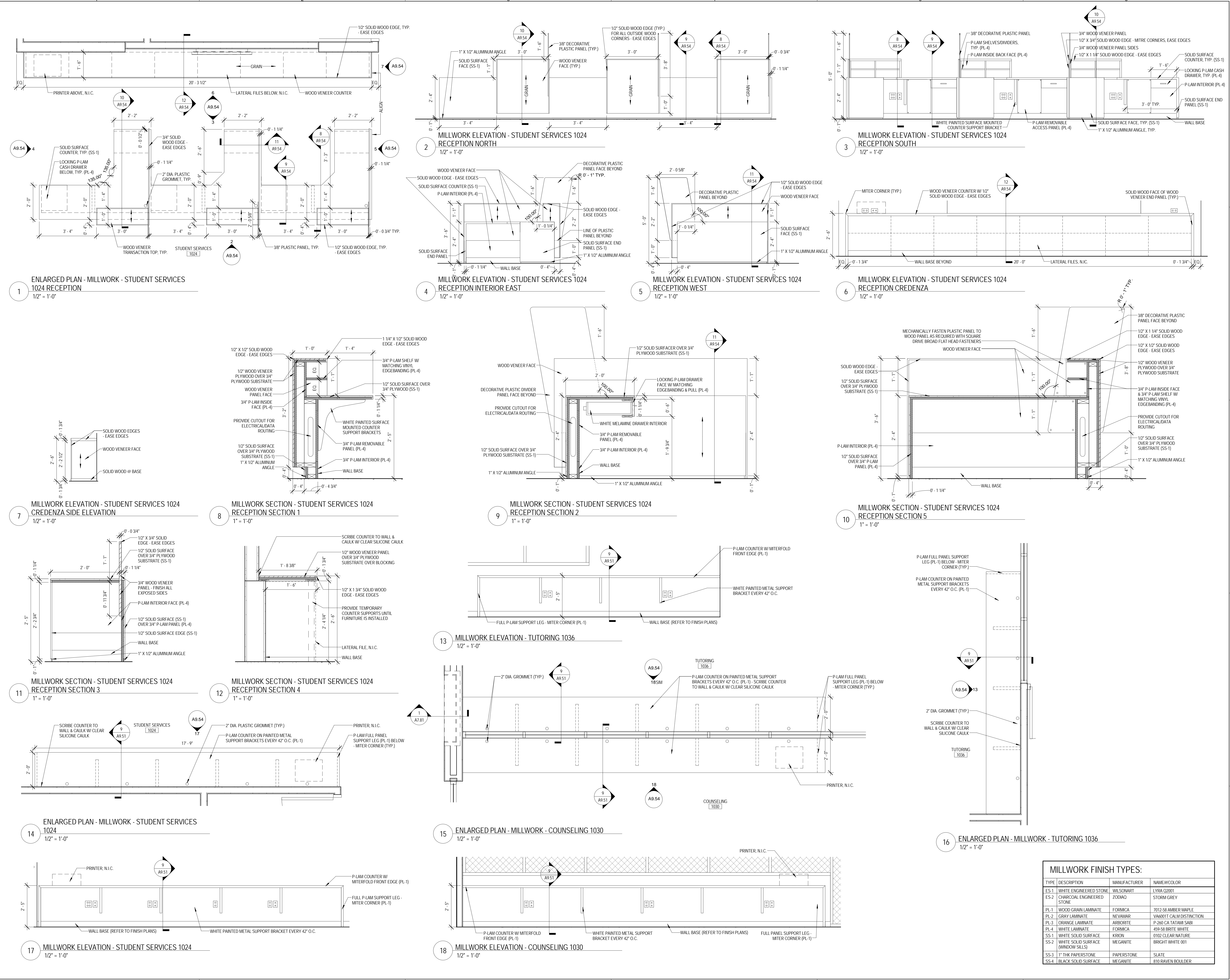
SHEET STATUS: 9/21/15
ISSUED FOR CONSTRUCTION

NO.	DESCRIPTION:	DATE:

SHEET TITLE:
MILLWORK DETAILS

SHEET NUMBER:
A9.53

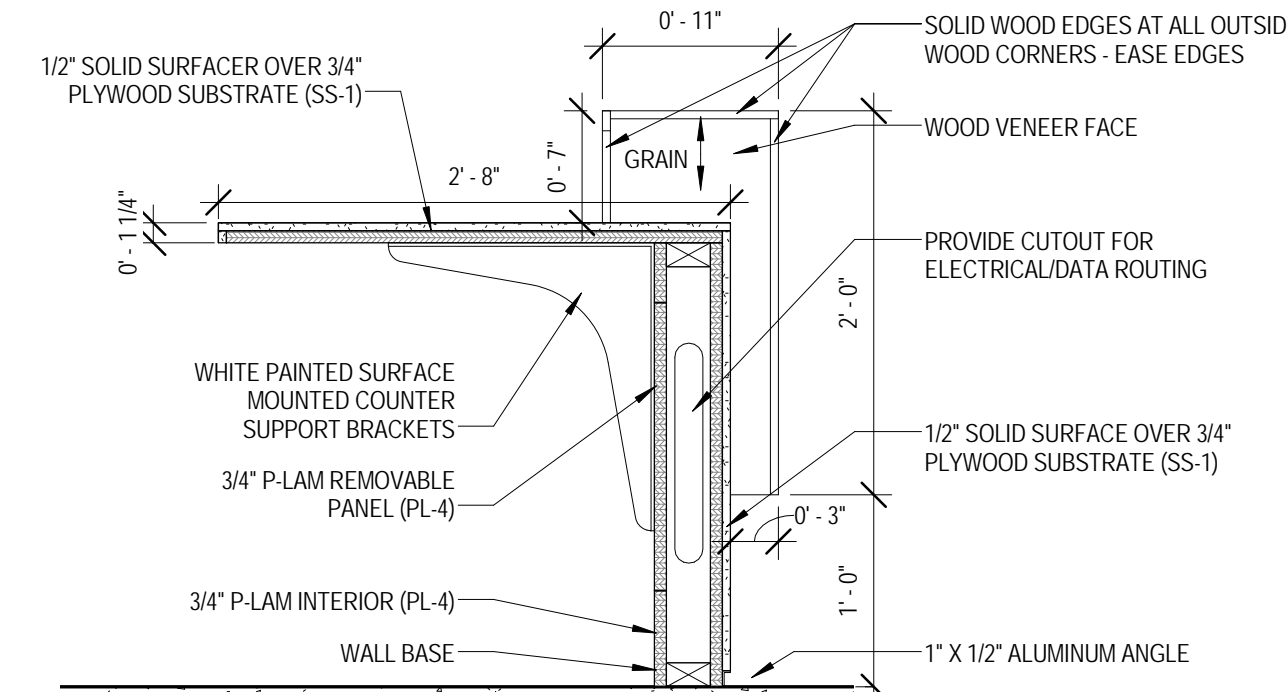
NO.	DESCRIPTION	DATE



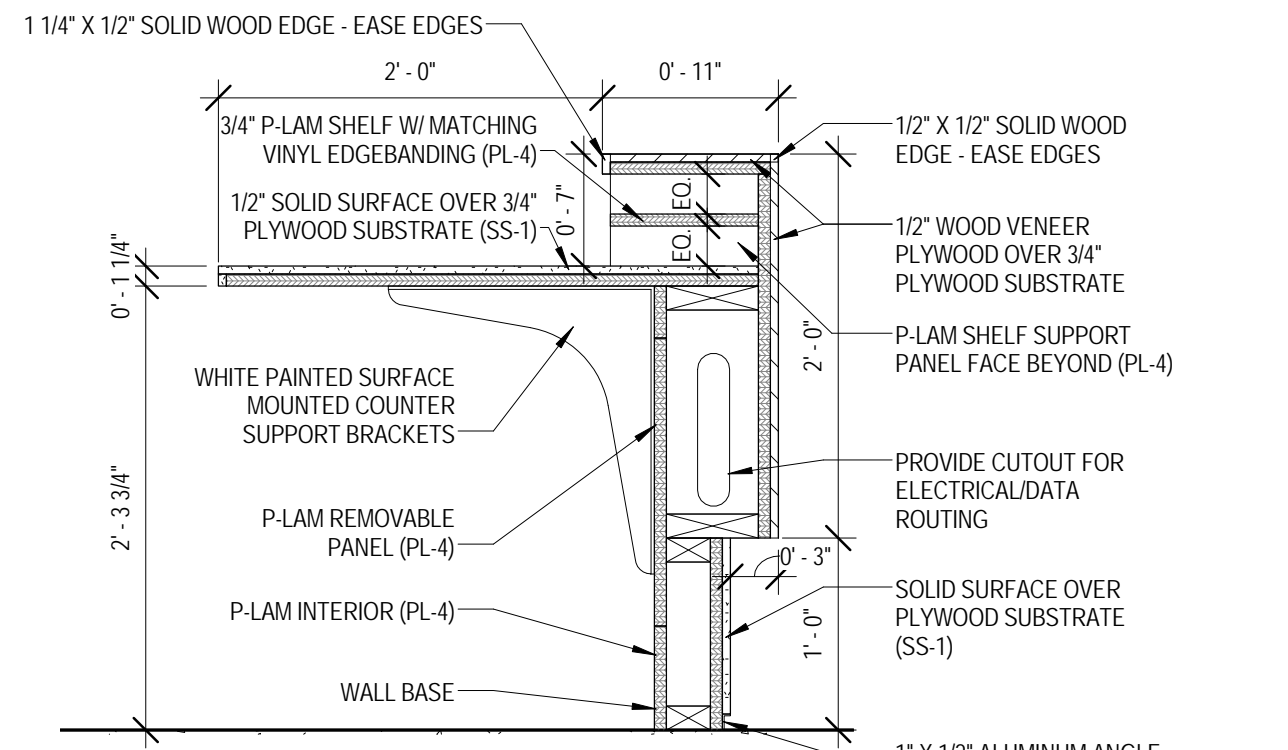
MILLWORK FINISH TYPES:

TYPE	DESCRIPTION	MANUFACTURER	NAME/COLOR
ES-1	WHITE ENGINEERED STONE	WILSONART	LYRA G2001
ES-2	CHARCOAL ENGINEERED STONE	ZODIAC	STORM GREY
PL-1	WOOD GRAIN LAMINATE	FORMICA	7012-SB AMBER MAPLE
PL-2	GRAY LAMINATE	NEVAMAR	VA6001T CALM DISTINCTION
PL-3	ORANGE LAMINATE	ARBORITE	P-260 CA TATAMI SABI
PL-4	WHITE LAMINATE	FORMICA	459-SB BRITE WHITE
SS-1	WHITE SOLID SURFACE	KRION	0102-CLEAR NATURE
SS-2	WHITE SOLID SURFACE (WINDOW SILLS)	MEGANITE	BRIGHT WHITE 001
SS-3	1" THK PAPERSTONE	PAPERSTONE	SLATE
SS-4	BLACK SOLID SURFACE	MEGANITE	810 RAVEN BOULDER

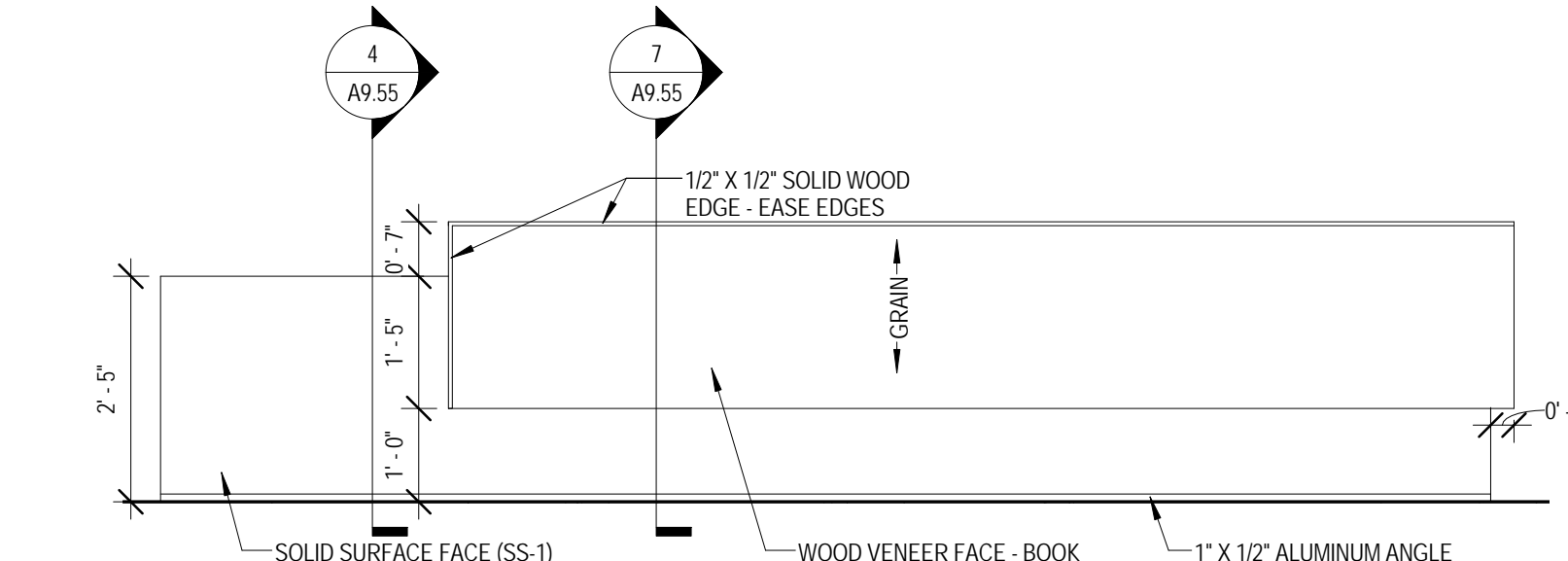
NO.	DESCRIPTION	DATE



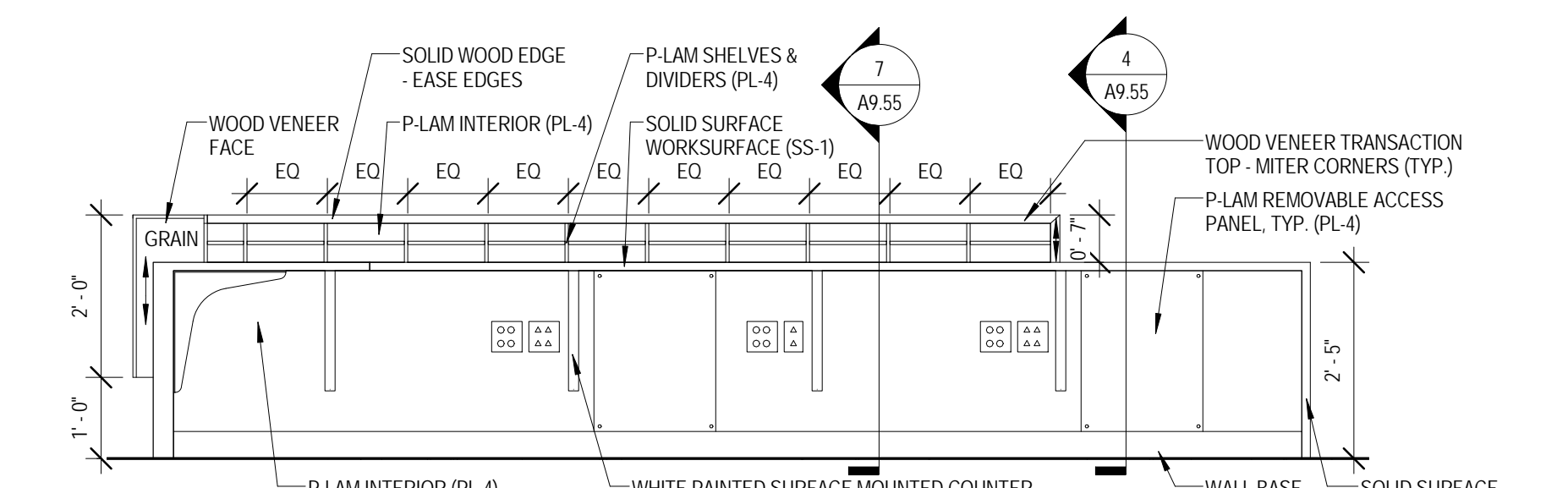
4 MILLWORK SECTION - TESTING CHECK-IN 1039 SECTION 1
 1/2" = 1'-0"



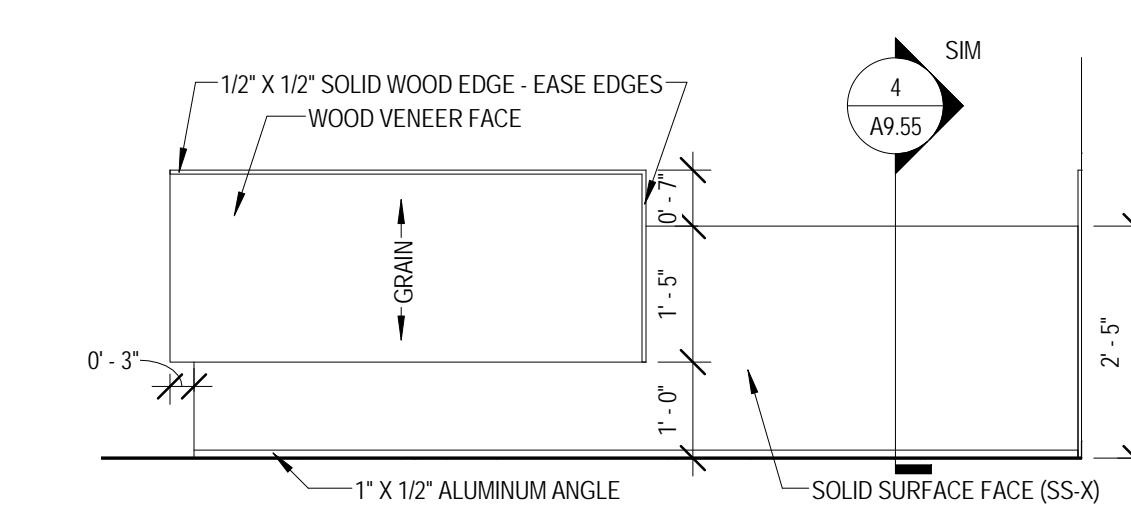
7 MILLWORK SECTION - TESTING CHECK-IN 1039 SECTION 2
 1/2" = 1'-0"



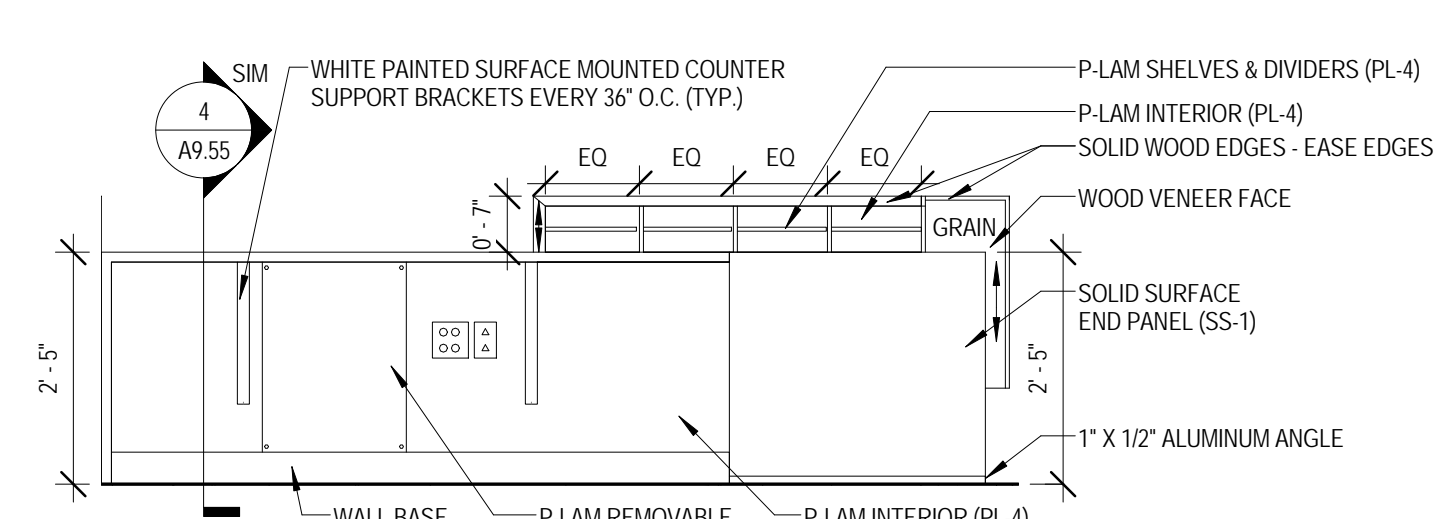
3 MILLWORK ELEVATION - TESTING CHECK-IN 1039 SOUTH
 1/2" = 1'-0"



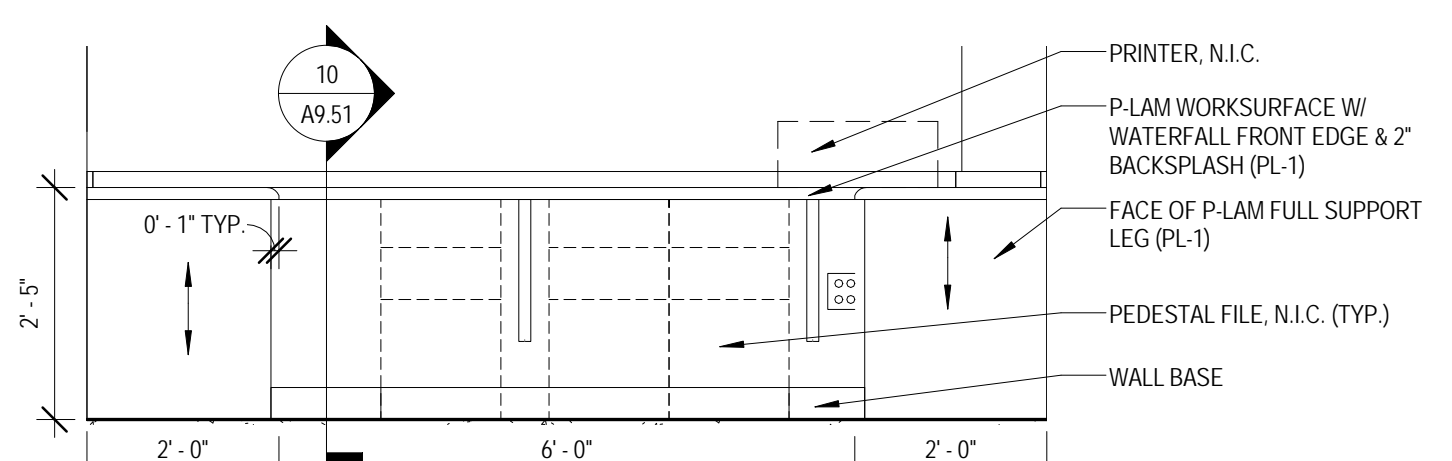
6 MILLWORK ELEVATION - TESTING CHECK-IN 1039 INTERIOR NORTH
 1/2" = 1'-0"



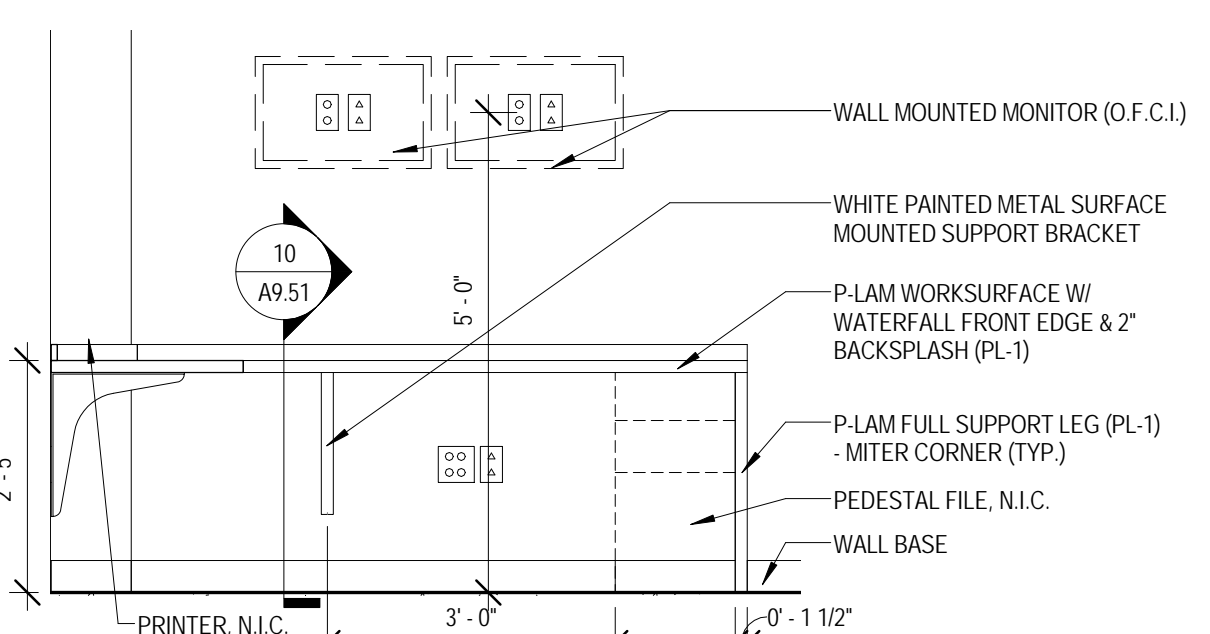
2 MILLWORK ELEVATION - TESTING CHECK-IN EAST
 1/2" = 1'-0"



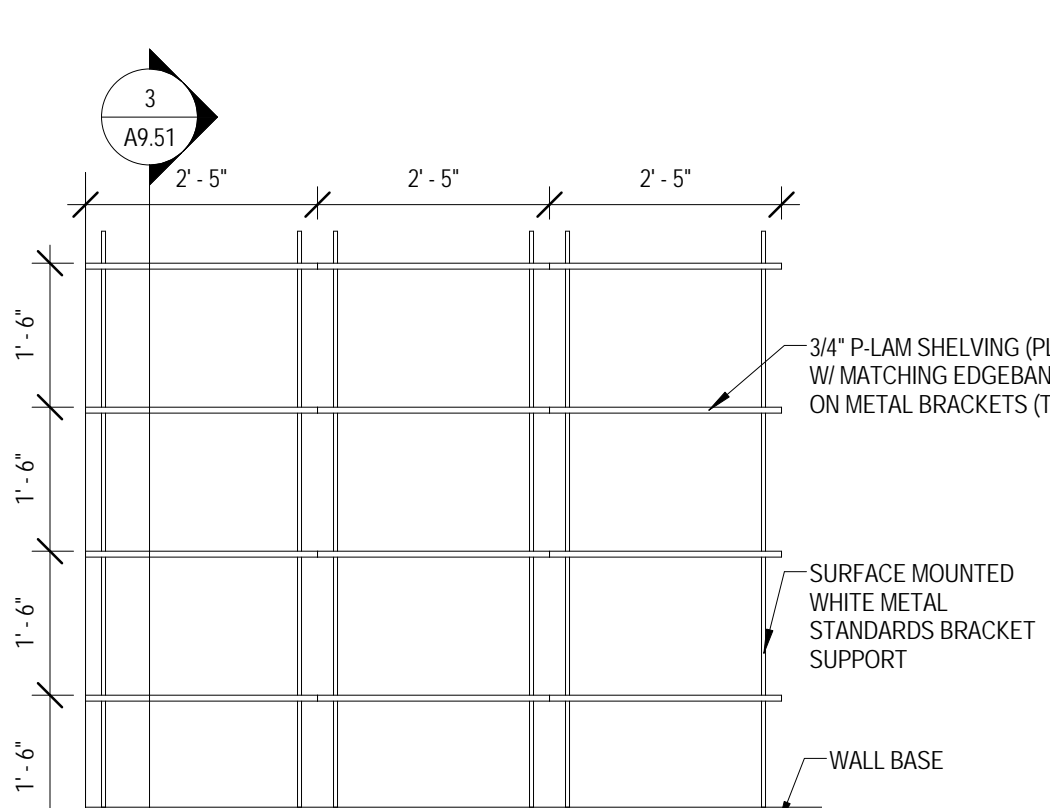
5 MILLWORK ELEVATION - TESTING CHECK-IN 1039 WEST
 1/2" = 1'-0"



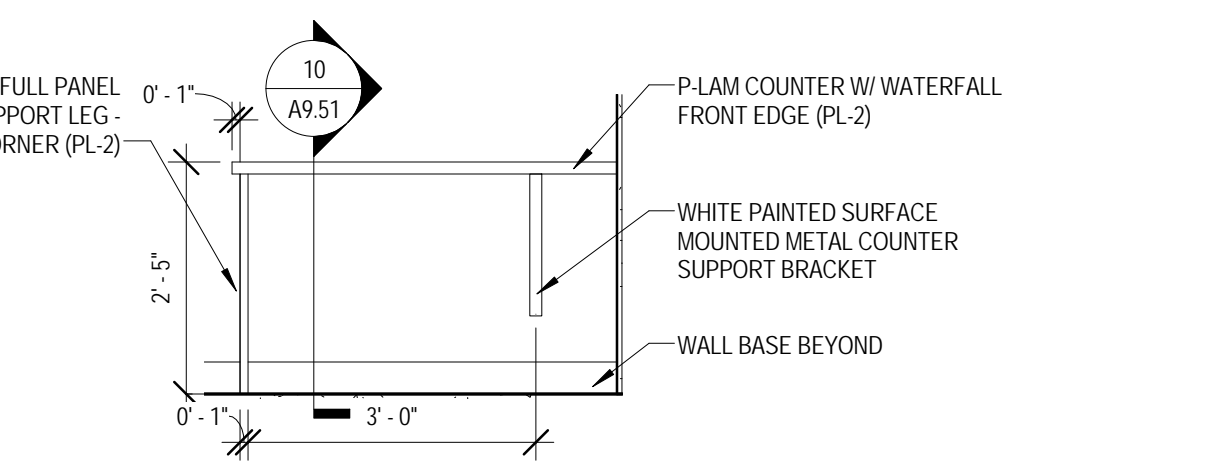
10 MILLWORK ELEVATION - POLICE 1011 WEST
 1/2" = 1'-0"



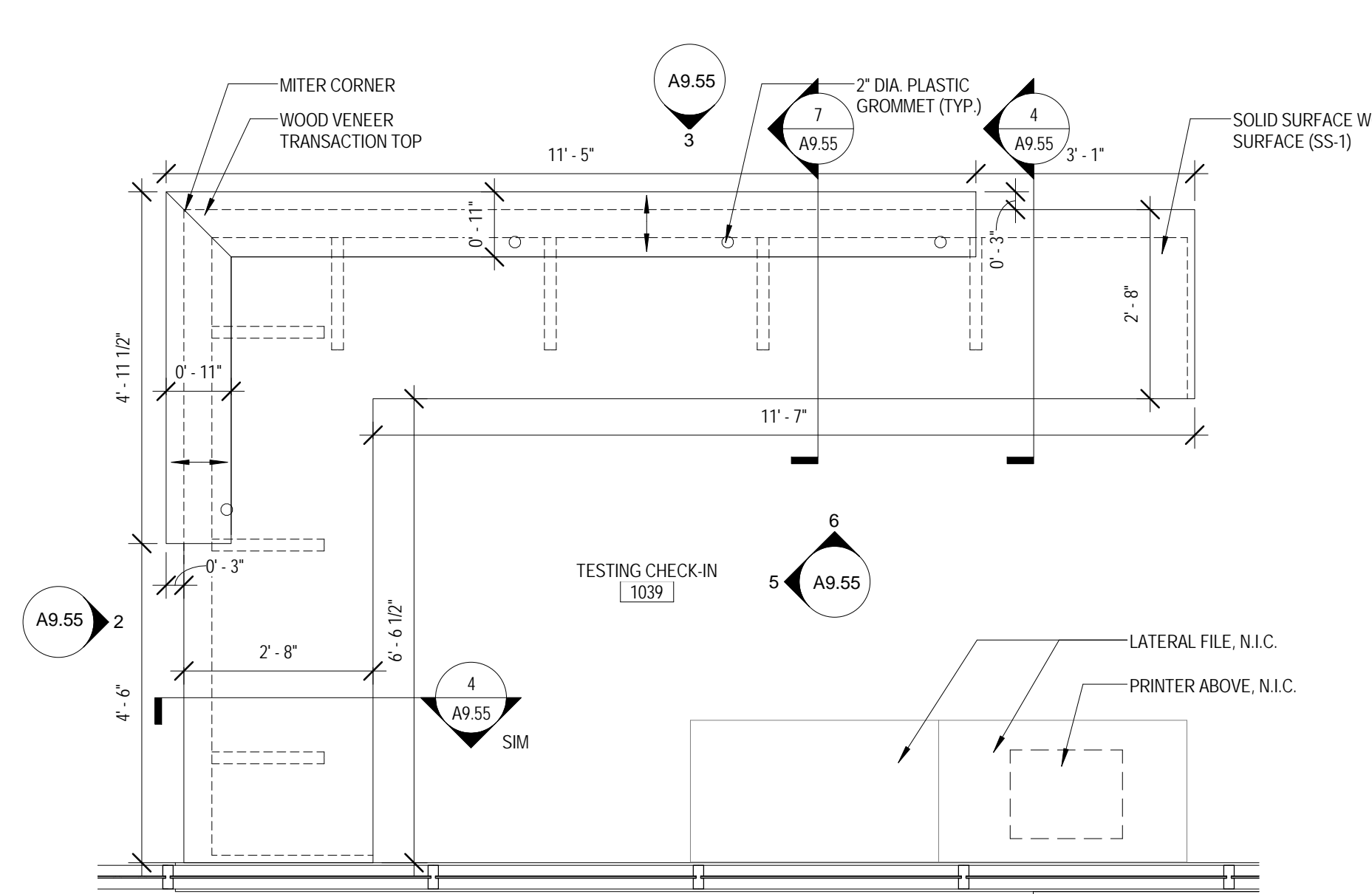
9 MILLWORK ELEVATION - POLICE 1011 NORTH
 1/2" = 1'-0"



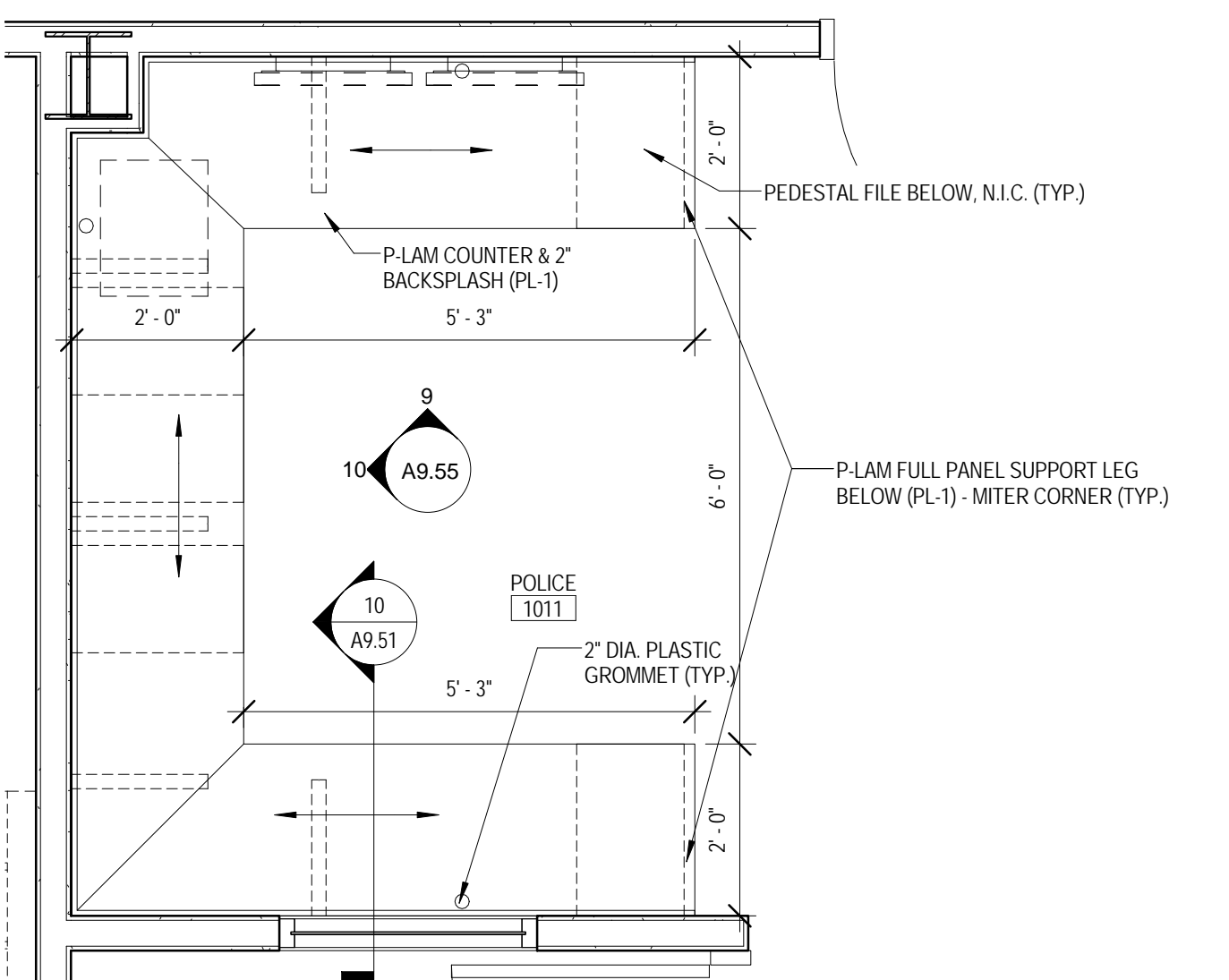
12 MILLWORK ELEVATION - STORAGE 1013 NORTH
 1/2" = 1'-0"



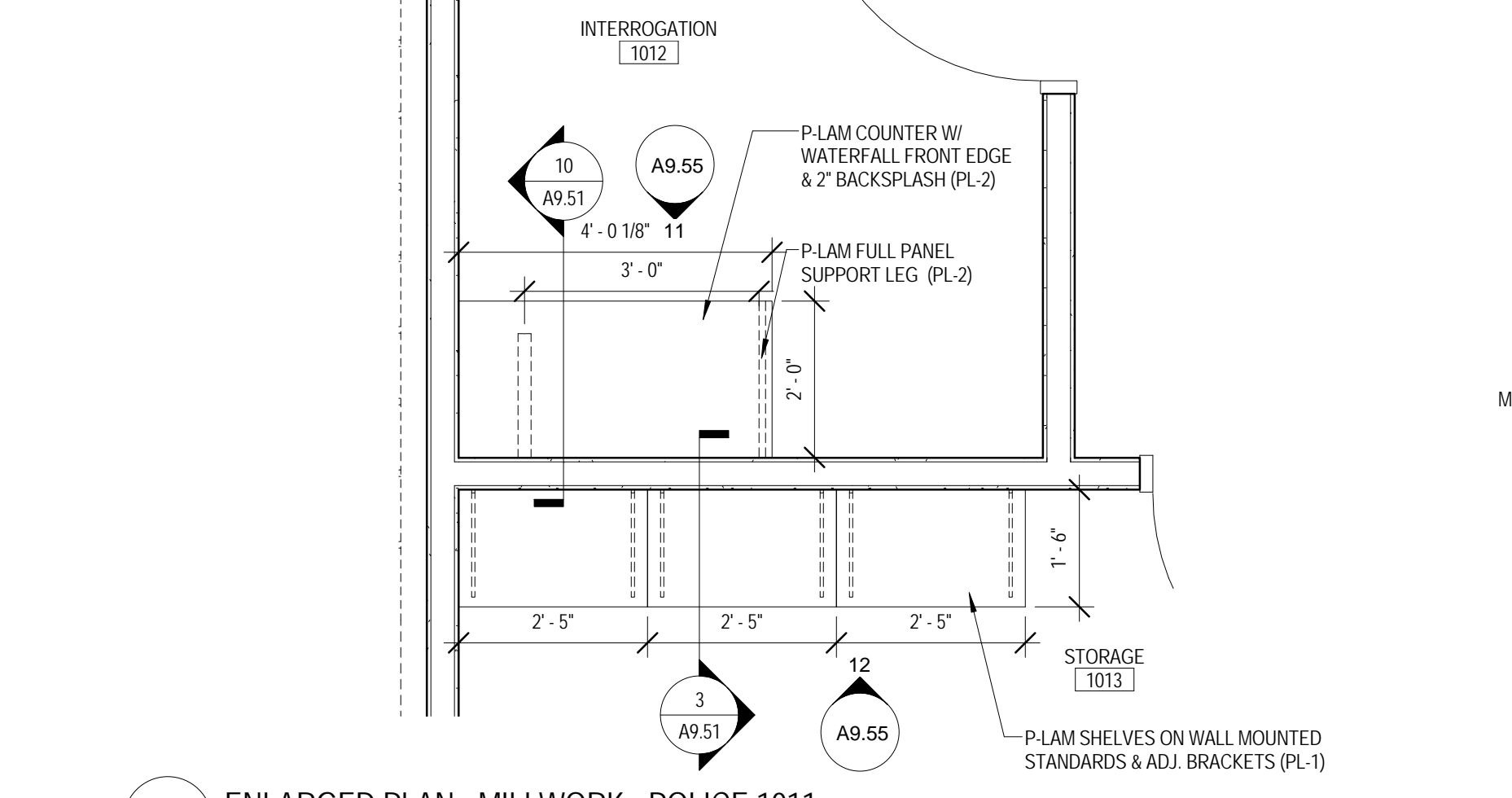
11 MILLWORK ELEVATION - INTERROGATION 1012 SOUTH
 1/2" = 1'-0"



1 ENLARGED PLAN - MILLWORK - TESTING CHECK-IN 1039
 1/2" = 1'-0"



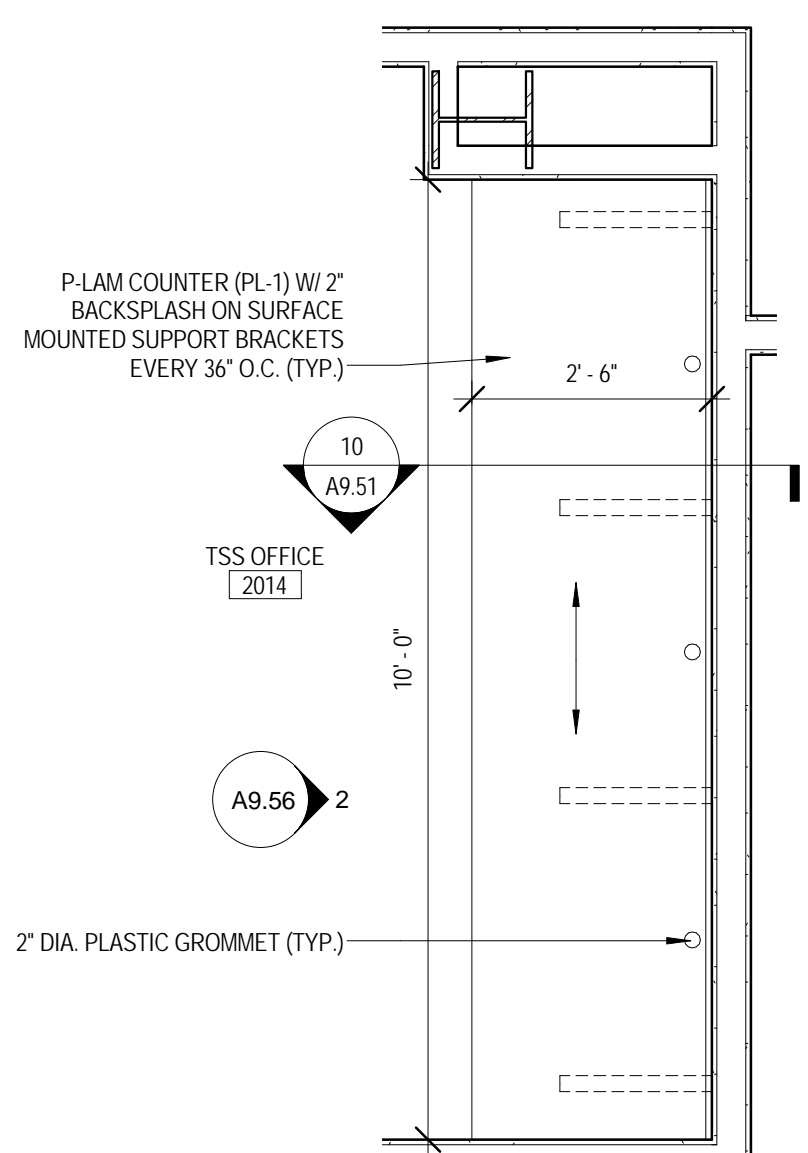
8 ENLARGED PLAN - MILLWORK - POLICE 1011
 1/2" = 1'-0"



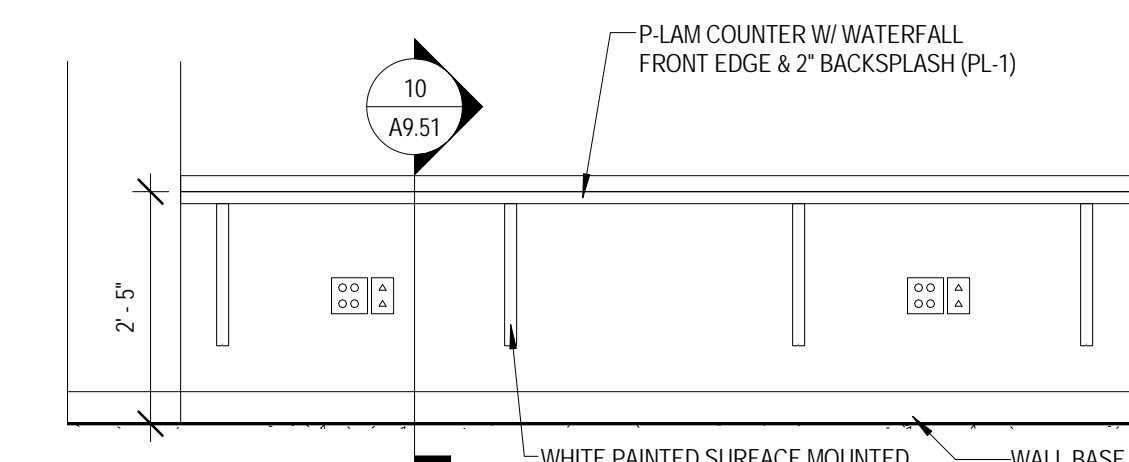
1 ENLARGED PLAN - MILLWORK - TESTING CHECK-IN 1039
 1/2" = 1'-0"

MILLWORK FINISH TYPES:			
TYPE	DESCRIPTION	MANUFACTURER	NAME/COLOR
ES-1	WHITE ENGINEERED STONE	WILSONART	LYRA C2001
ES-2	CHARCOAL ENGINEERED STONE	ZODIAC	STORM GREY
PL-1	WOOD GRAIN LAMINATE	FORMICA	7012-58 AMBER MAPLE
PL-2	GRAY LAMINATE	NEVAVAR	VAG0017 CALM DISTINCTION
PL-3	ORANGE LAMINATE	ARBORITE	P-260 CA TATAMI SABI
PL-4	WHITE LAMINATE	FORMICA	455-58 BRITTE WHITE
SS-1	WHITE SOLID SURFACE	KRION	0102 CLEAR NATURE
SS-2	WHITE SOLID SURFACE (WINDOW SILLS)	MEGANITE	BRIGHT WHITE 001
SS-3	1" THK PAPERSTONE	PAPERSTONE	SLATE
SS-4	BLACK SOLID SURFACE	MEGANITE	810 RAVEN BOULDER

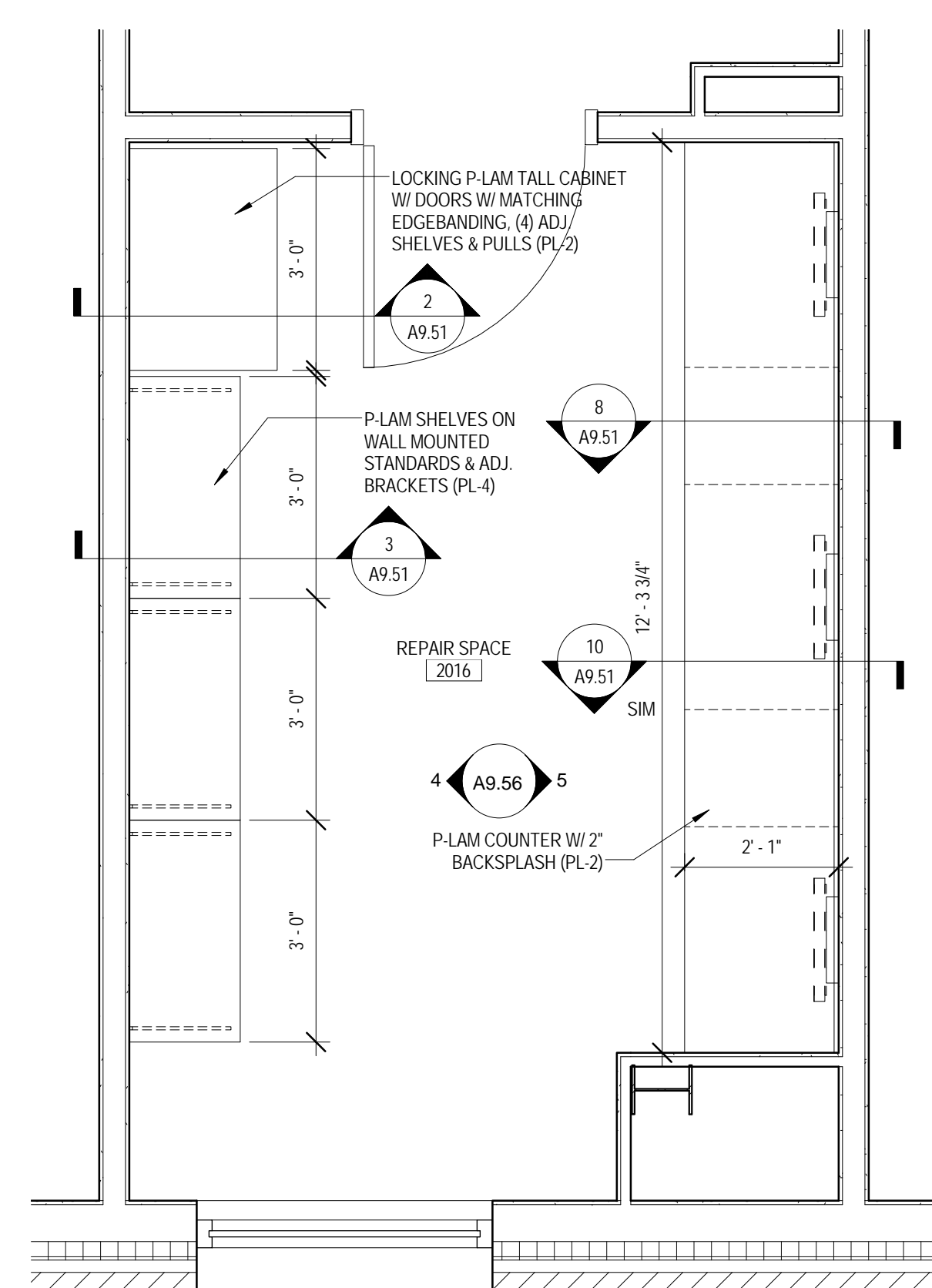
MILLWORK FINISH TYPES:			
TYPE	DESCRIPTION	MANUFACTURER	NAME/COLOR
ES-1	WHITE ENGINEERED STONE	WILSONART	LYRA Q201
ES-2	CHARCOAL ENGINEERED STONE	ZODIAC	STORM GREY
PL-1	WOOD GRAIN LAMINATE	FORMICA	7012-58 AMBER MAPLE
PL-2	GRAY LAMINATE	NEVAMAR	V46001T CALM DISTINCTION
PL-3	ORANGE LAMINATE	ARBORITE	P-260 CA TATAMI SABI
PL-4	WHITE LAMINATE	FORMICA	459-58 BRITTE WHITE
SS-1	WHITE SOLID SURFACE	KRION	0102 CLEAR NATURE
SS-2	WHITE SOLID SURFACE (WINDOW SILLS)	MEGANITE	BRIGHT WHITE 001
SS-3	1" THK PAPERSTONE	PAPERSTONE	SLATE
SS-4	BLACK SOLID SURFACE	MEGANITE	810 RAVEN BOULDER



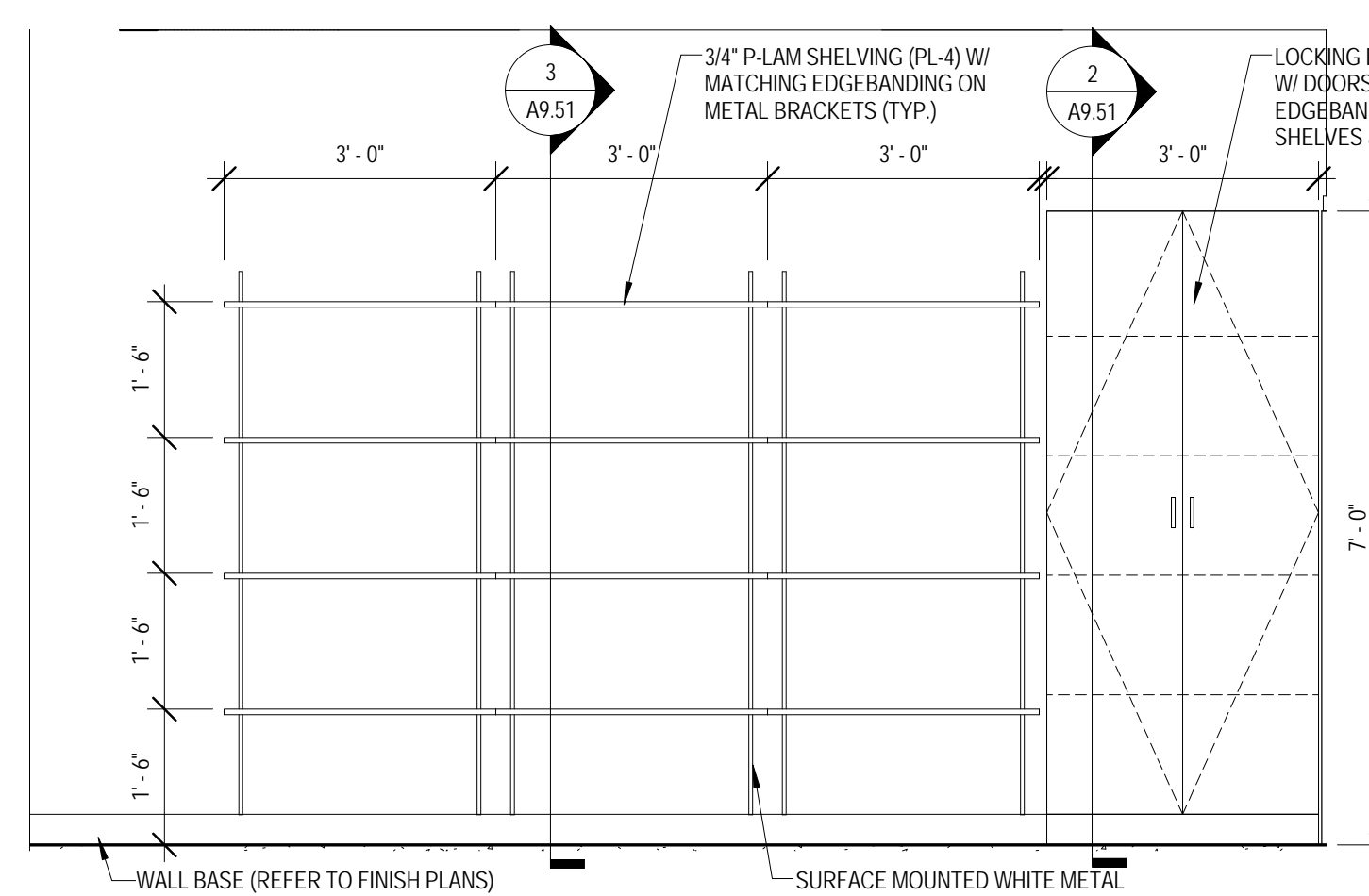
1 ENLARGED PLAN - MILLWORK - TSS OFFICE 2014
 1/2" = 1'-0"



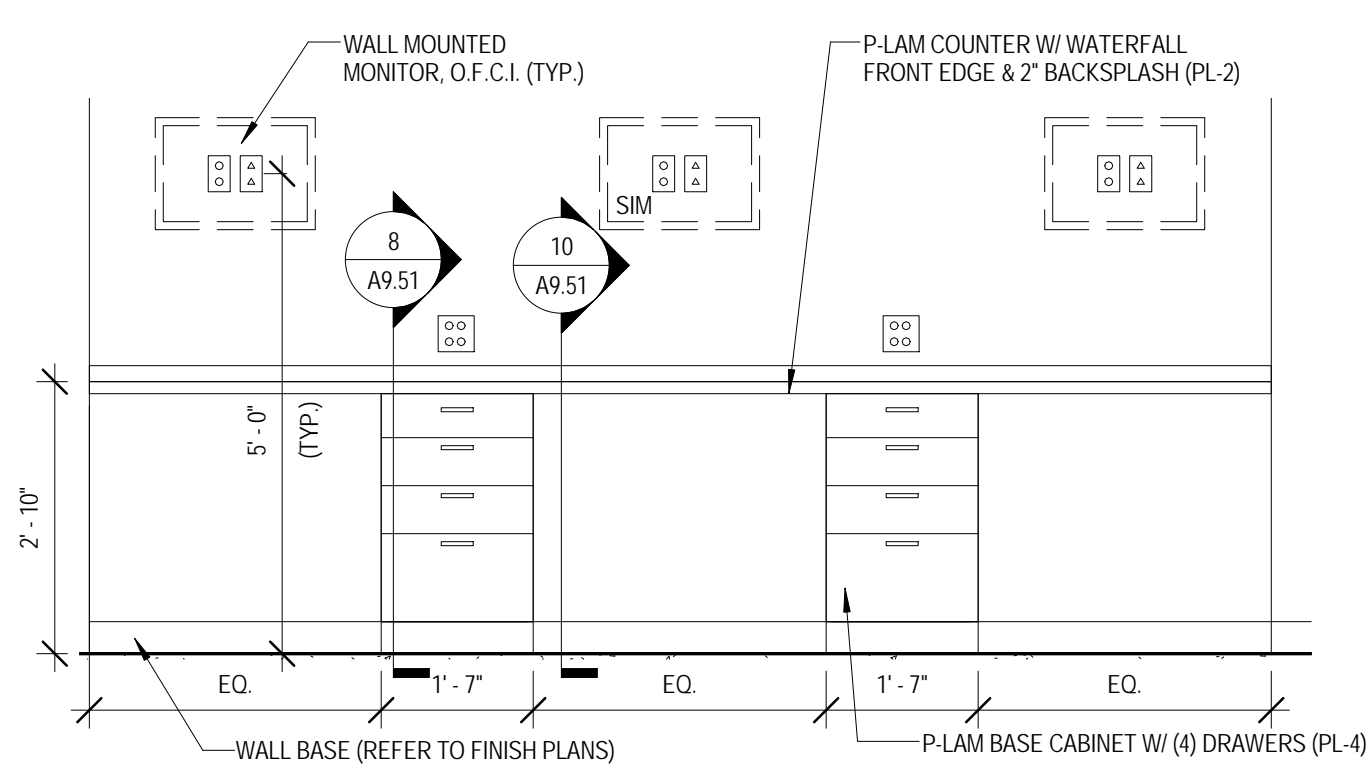
2 MILLWORK ELEVATION - TSS OFFICE 2014
 1/2" = 1'-0"



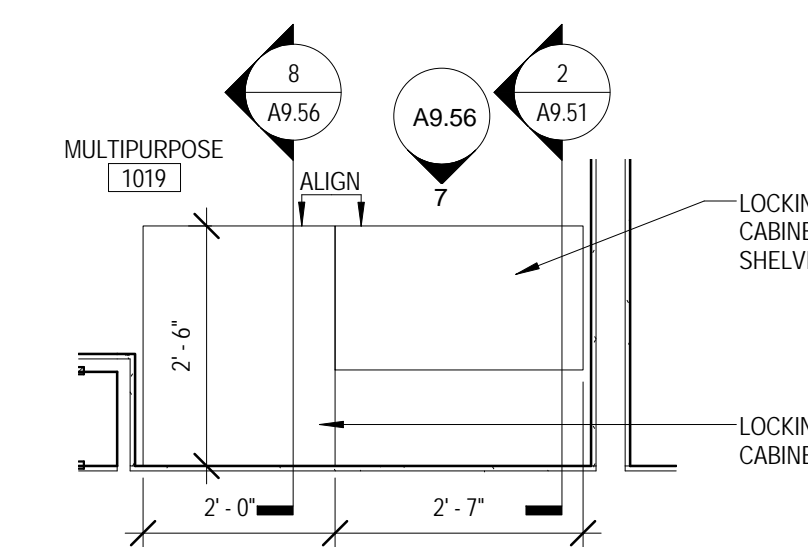
3 ENLARGED PLAN - MILLWORK - REPAIR SPACE 2016
 1/2" = 1'-0"



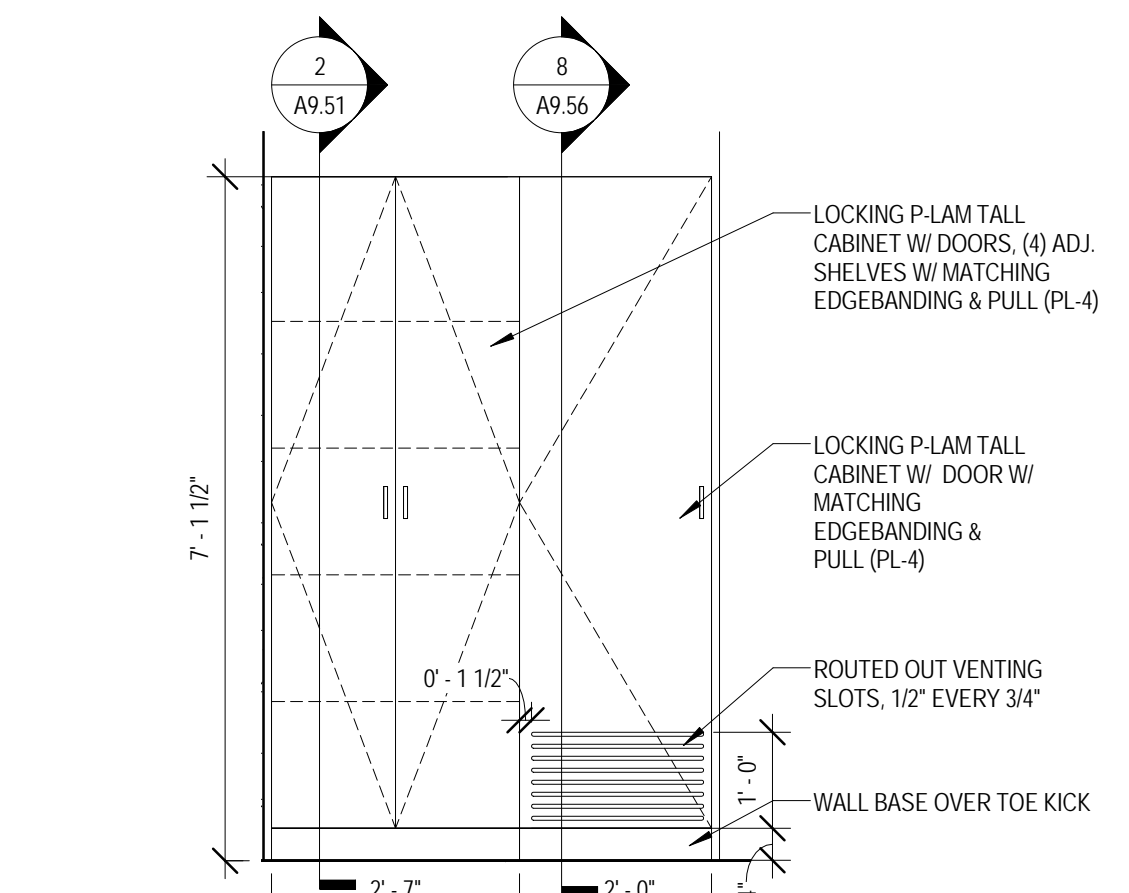
4 MILLWORK ELEVATION - REPAIR SPACE 2016 - SOUTH
 1/2" = 1'-0"



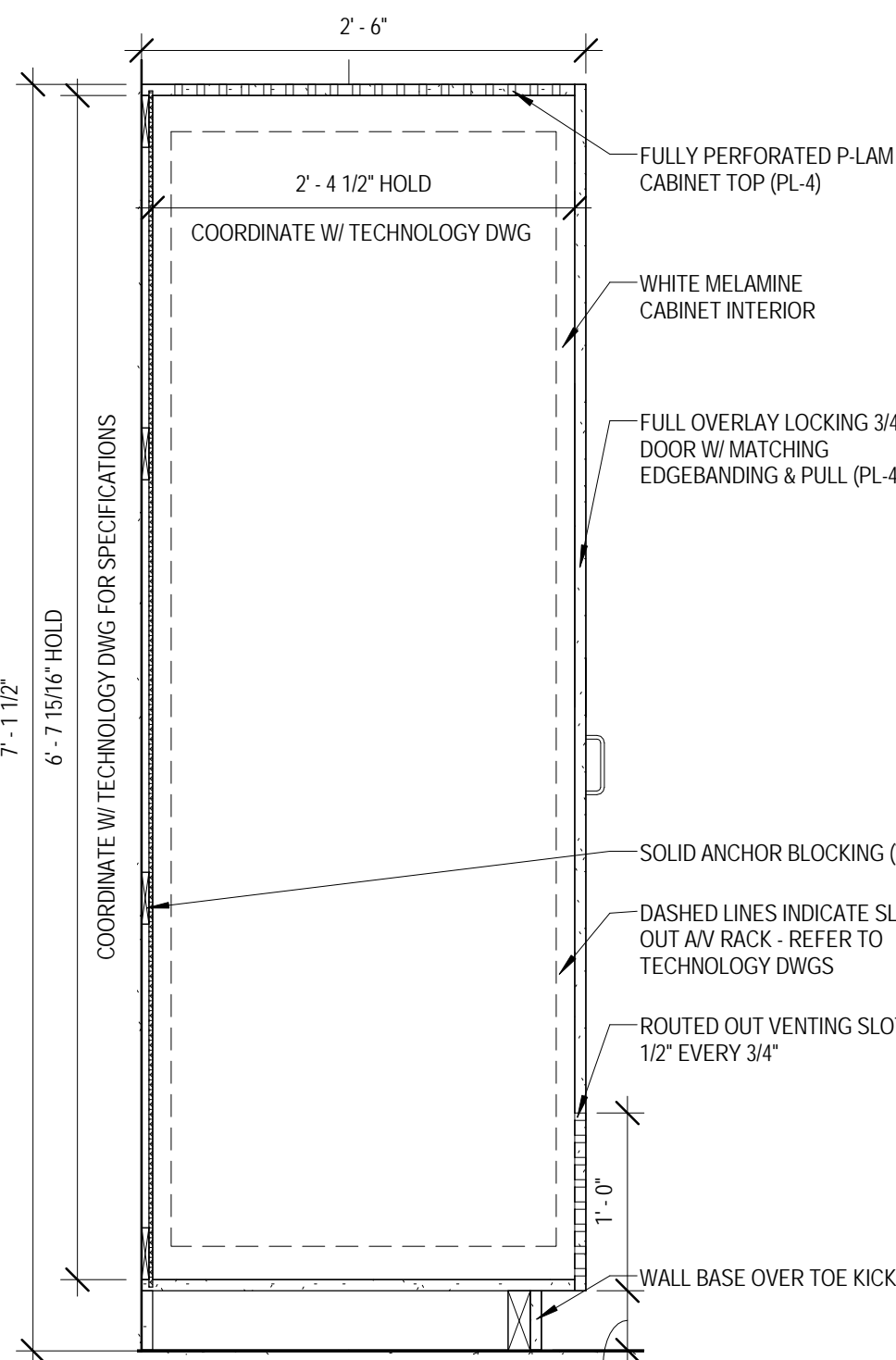
5 MILLWORK ELEVATION - REPAIR SPACE 2016 - NORTH
 1/2" = 1'-0"



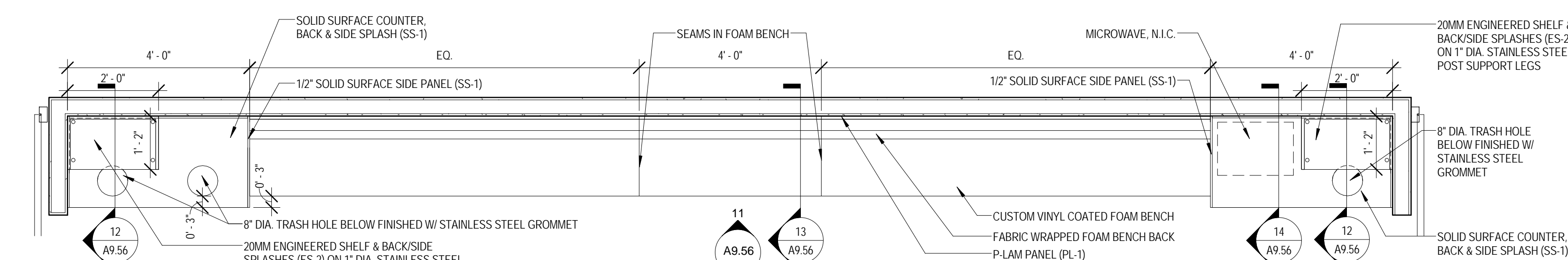
6 ENLARGED PLAN - MILLWORK - MULTIPURPOSE 1019
 1/2" = 1'-0"



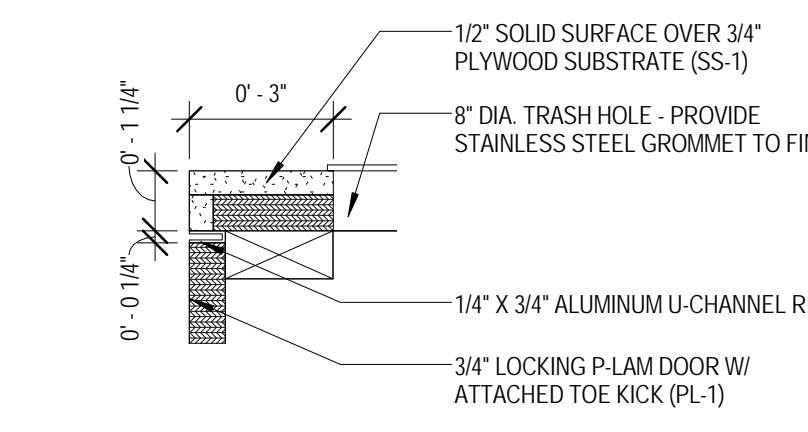
7 MILLWORK ELEVATION - MULTIPURPOSE 1019
 1/2" = 1'-0"



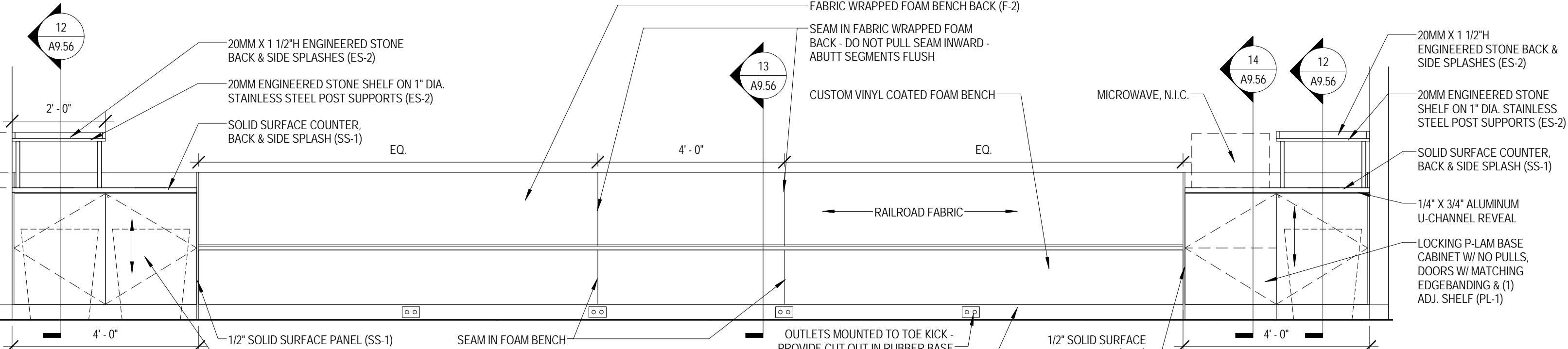
8 MILLWORK SECTION - MULTIPURPOSE 1019
 1" = 1'-0"



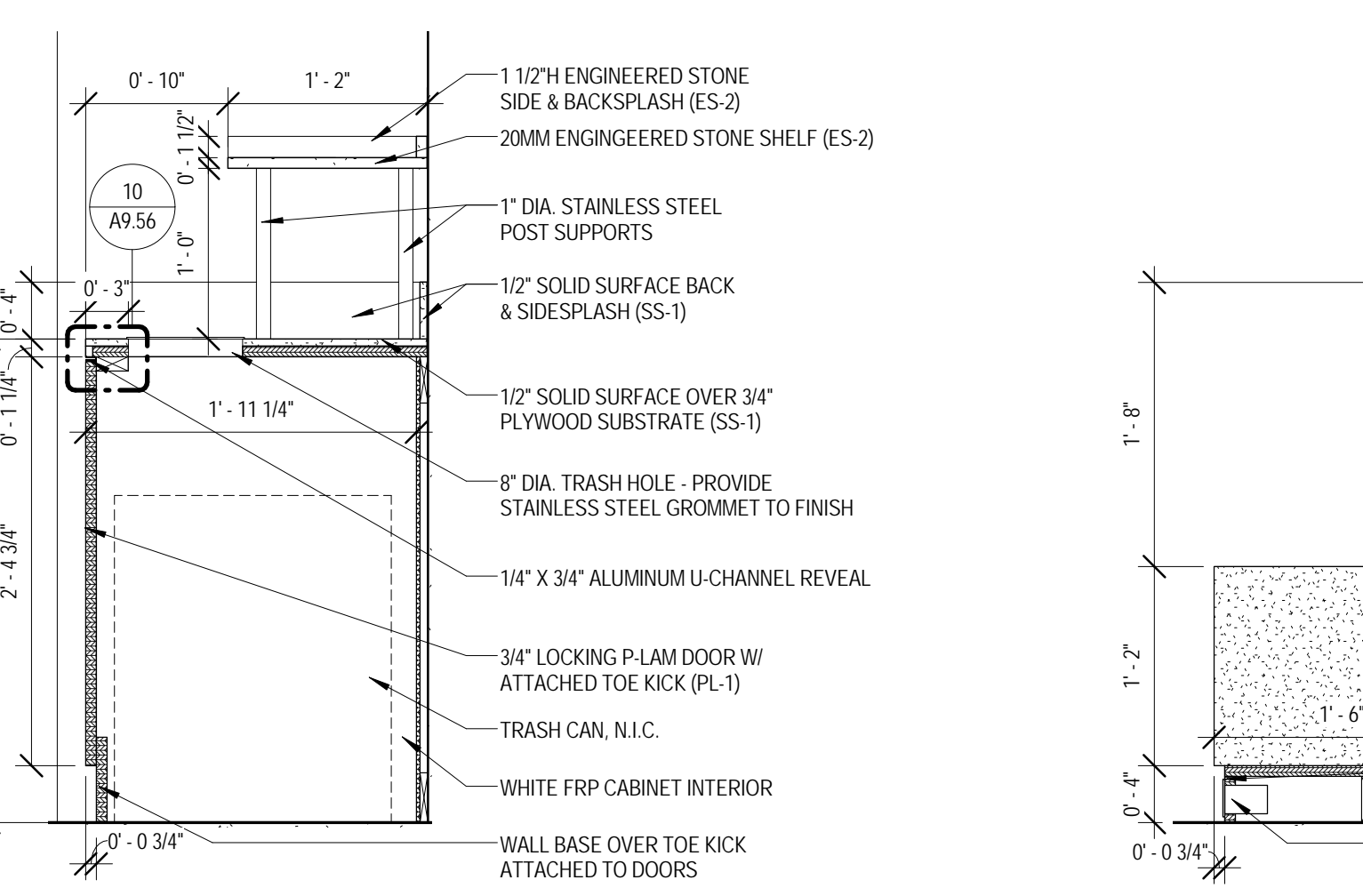
9 ENLARGED PLAN - MILLWORK - DINING 1018
 1/2" = 1'-0"



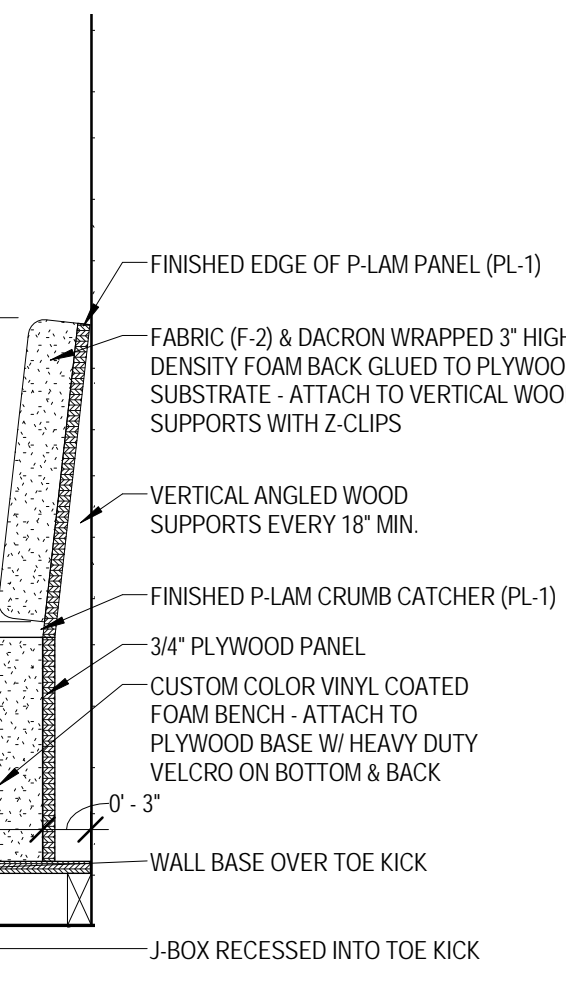
10 MILLWORK SECTION DETAIL - DINING 1018
 3" = 1'-0"



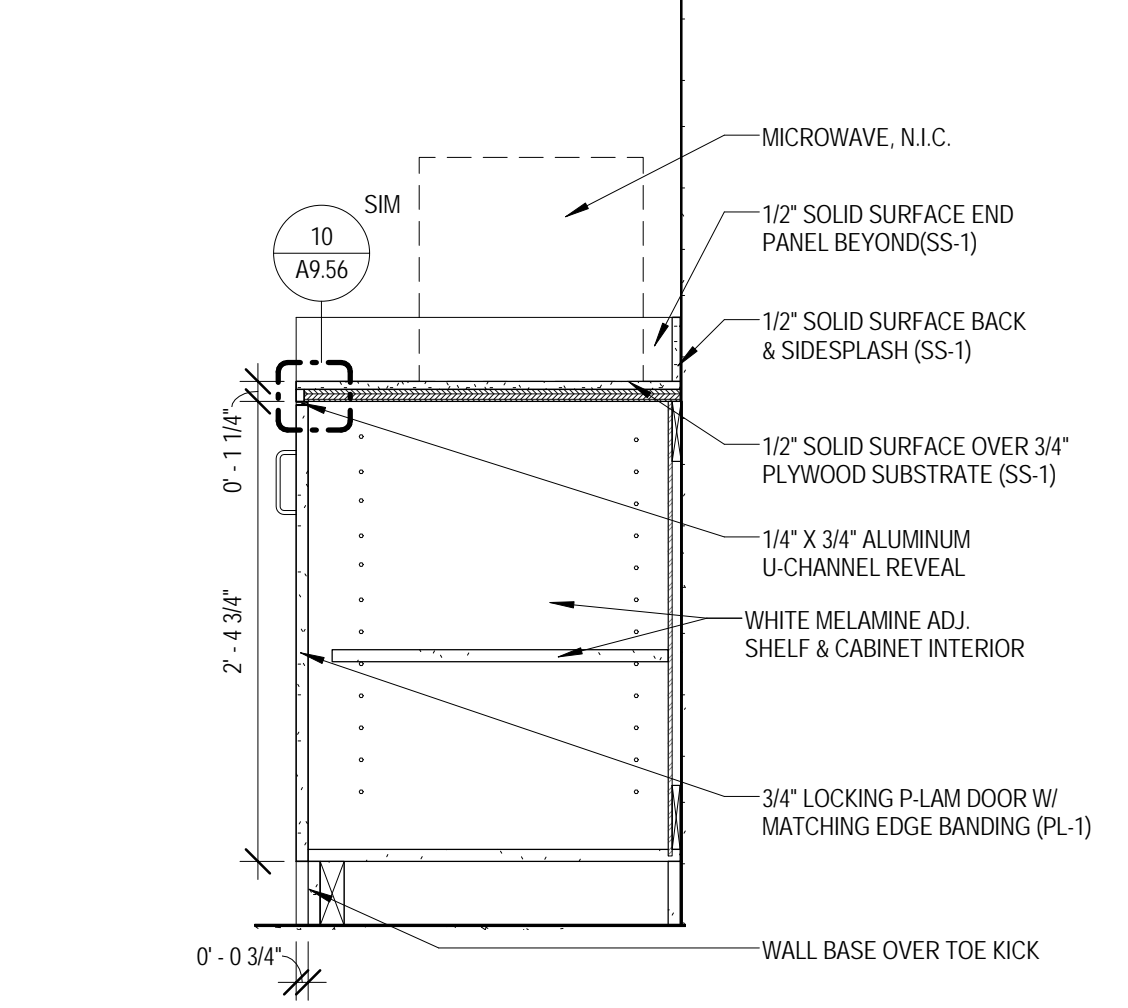
11 MILLWORK ELEVATION - DINING 1018
 1/2" = 1'-0"



12 MILLWORK SECTION - DINING 1018 A
 1" = 1'-0"



13 MILLWORK SECTION - DINING 1018 B
 1" = 1'-0"



14 MILLWORK SECTION - DINING 1018 C
 1" = 1'-0"

JOLIET JUNIOR COLLEGE
ROMEONVILLE CAMPUS EXPANSION
 1125 135th ST. ROMEONVILLE, IL 60446
 DKA PROJECT NO: 14-005

KEY PLAN:

SHEET STATUS: 9/21/15
ISSUED FOR CONSTRUCTION

NO.	DESCRIPTION:	DATE:

SHEET TITLE:
MILLWORK DETAILS

SHEET NUMBER:
A9.56



ARCHITECT OF RECORD
DEMONICA KEMPER ARCHITECTS
 125 N. HALSTED STREET, SUITE 301
 CHICAGO, IL 60661
 P: 312.496.0000

STRUCTURAL AND MEP/PF ENGINEERING
KJWW ENGINEERING CONSULTANTS
 1100 WARRENVILLE RD. SUITE
 400W NAPERVILLE, IL 60563
 P: 630.527.2320

FOOD SERVICE CONSULTANT
CINI LITTLE INTERNATIONAL, INC.
 200 E. HOWARD AVE. SUITE 212
 DES PLAINES, IL 60018
 P: 847.298.0088

CONSTRUCTION MANAGER
JOLIET JUNIOR COLLEGE
 1215 HOUBOLT RD.
 JOLIET, IL 60431
 P: 815.280.2212

JOLIET JUNIOR COLLEGE
ROMEIOVILLE CAMPUS EXPANSION
 1125 135th ST. ROMEIOVILLE, IL 60446
 DKA PROJECT NO: 14-005

KEY PLAN:

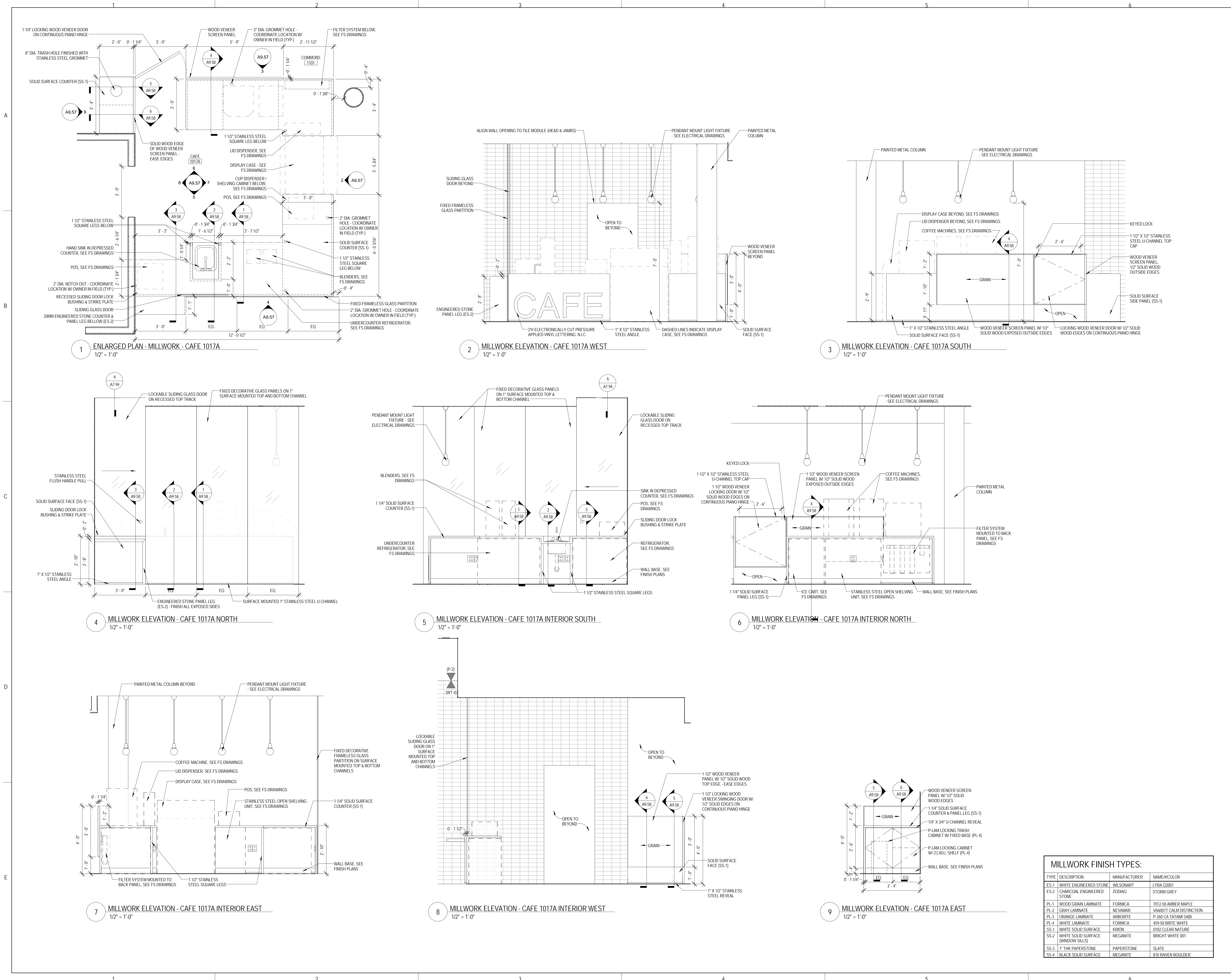
SHEET STATUS: 9/21/15
ISSUED FOR CONSTRUCTION

NO.	DESCRIPTION:	DATE:

SHEET TITLE:
MILLWORK DETAILS

SHEET NUMBER:

A9.57

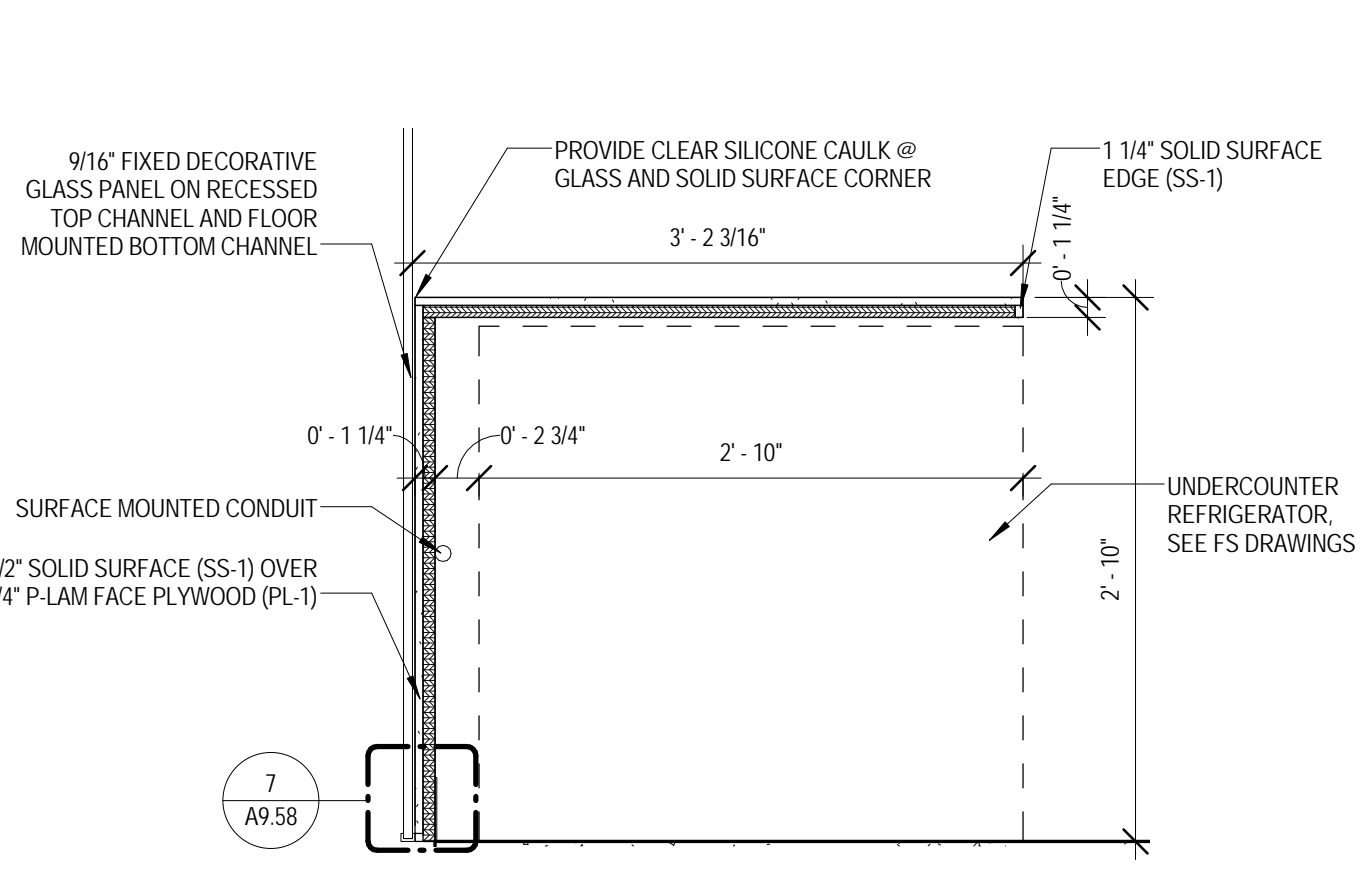


MILLWORK FINISH TYPES:

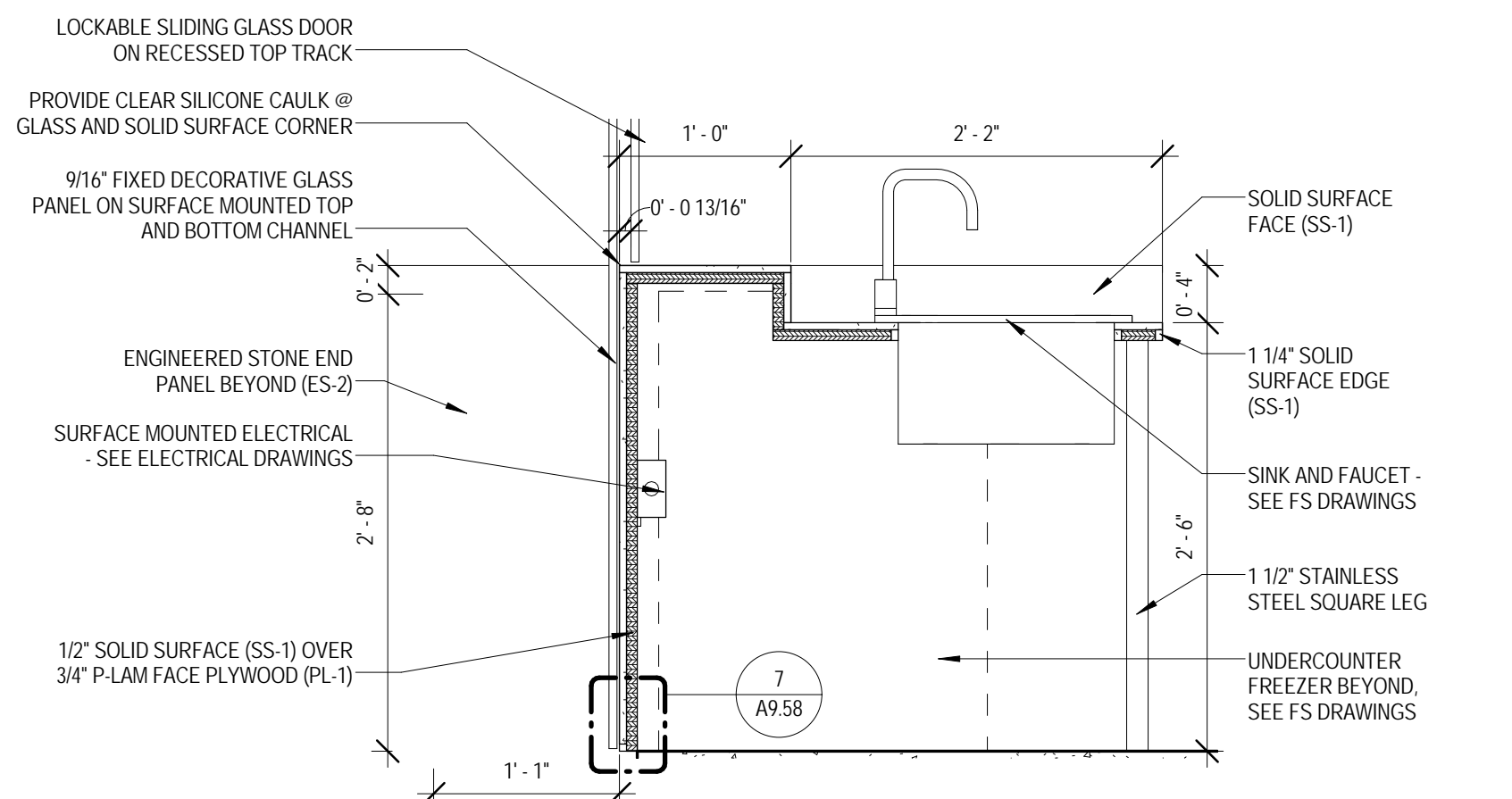
TYPE	DESCRIPTION	MANUFACTURER	NAME#/COLOR
ES-1	WHITE ENGINEERED STONE	WILSONART	LYRA Q2001
ES-2	CHARCOAL ENGINEERED STONE	ZODIAC	STORM GREY
PL-1	WOOD GRAIN LAMINATE	FORMICA	7012-58 AMBER MAPLE
PL-2	GRAY LAMINATE	NEVAMAR	V46001 CALM DISTINCTION
PL-3	ORANGE LAMINATE	ARBORITE	P-260 CA TATAMI SABI
PL-4	WHITE LAMINATE	FORMICA	459-58 BRITE WHITE
SS-1	WHITE SOLID SURFACE	KRION	0102 CLEAR NATURE
SS-2	WHITE SOLID SURFACE (WINDOW SILLS)	MEGANITE	BRIGHT WHITE 001
SS-3	1\"/>		
SS-4	BLACK SOLID SURFACE	MEGANITE	810 RAVEN BOULDER

NO.	DESCRIPTION:	DATE:

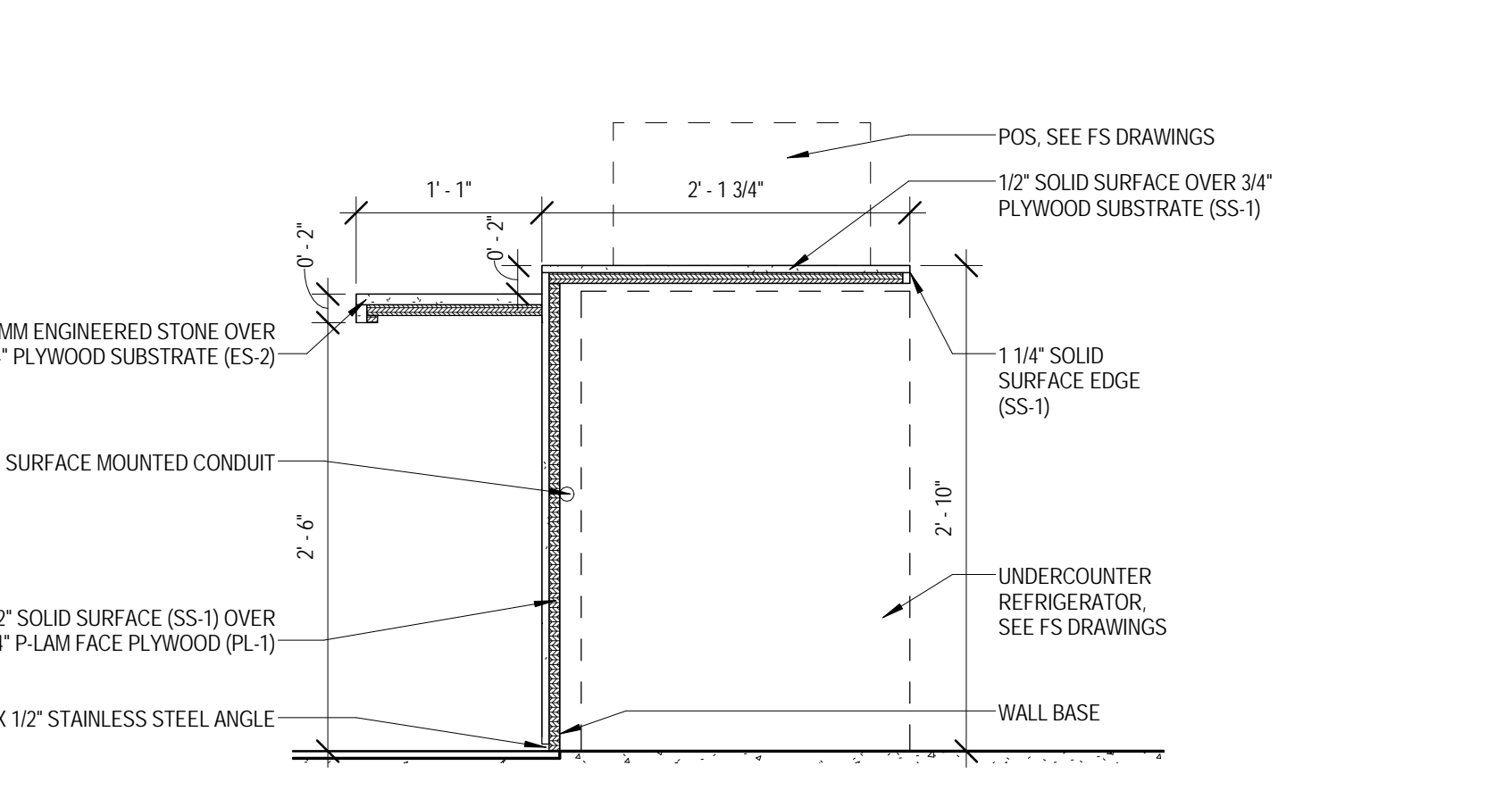
MILLWORK FINISH TYPES:		
TYPE	DESCRIPTION	MANUFACTURER NAME/COLOR
ES-1	WHITE ENGINEERED STONE	WILSONART LYRA C2001
ES-2	CHARCOAL ENGINEERED STONE	ZODIAC STORM GREY
PL-1	WOOD GRAIN LAMINATE	FORMICA 7012-SB AMBER MAPLE
PL-2	GRAY LAMINATE	NEVAMAR VA6001T CALM DISTINCTION
PL-3	ORANGE LAMINATE	ARBORITE P-260 CA TATAMI SABI
PL-4	WHITE LAMINATE	FORMICA 459-SB BRITE WHITE
SS-1	WHITE SOLID SURFACE	KRION D102 CLEAR NATURE
SS-2	WHITE SOLID SURFACE (WINDOW SILLS)	MEGANITE BRIGHT WHITE 001
SS-3	1" THK PAPERSTONE	PAPERSTONE SLATE
SS-4	BLACK SOLID SURFACE	MEGANITE 810 RAVEN BOULDER



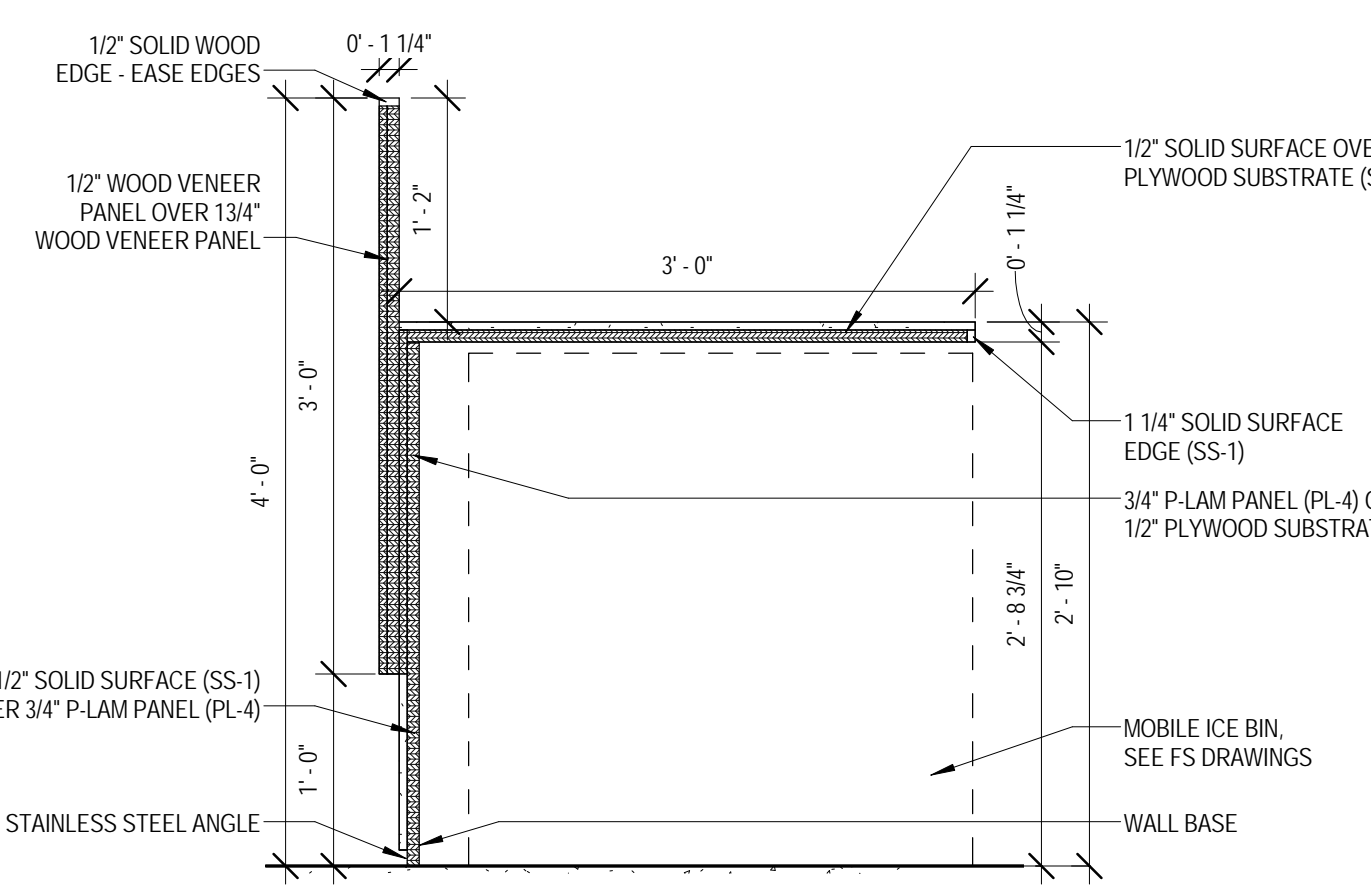
1 MILLWORK SECTION A - CAFE 1017A
 1" = 1'-0"



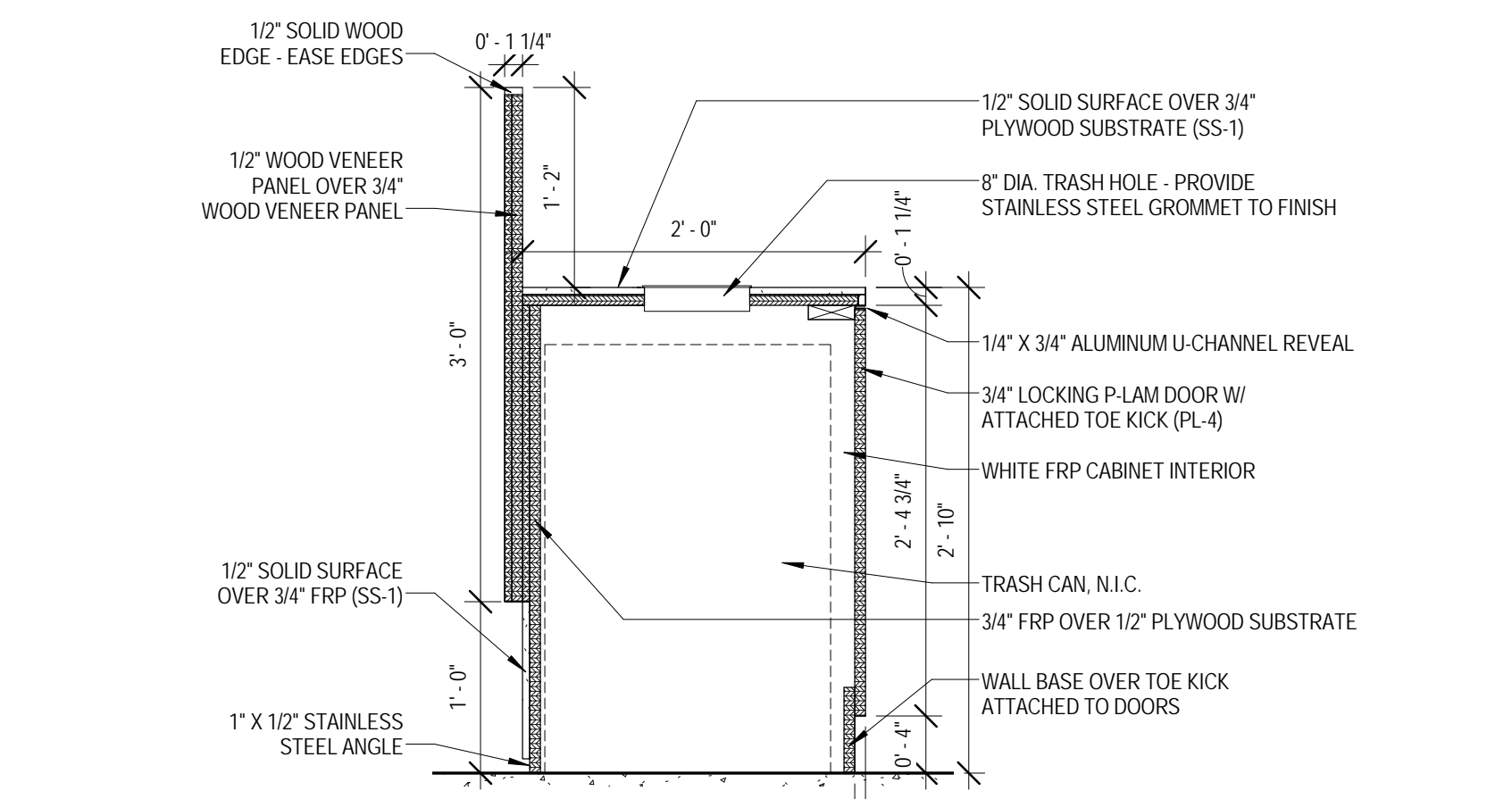
2 MILLWORK SECTION B - CAFE 1017A
 1" = 1'-0"



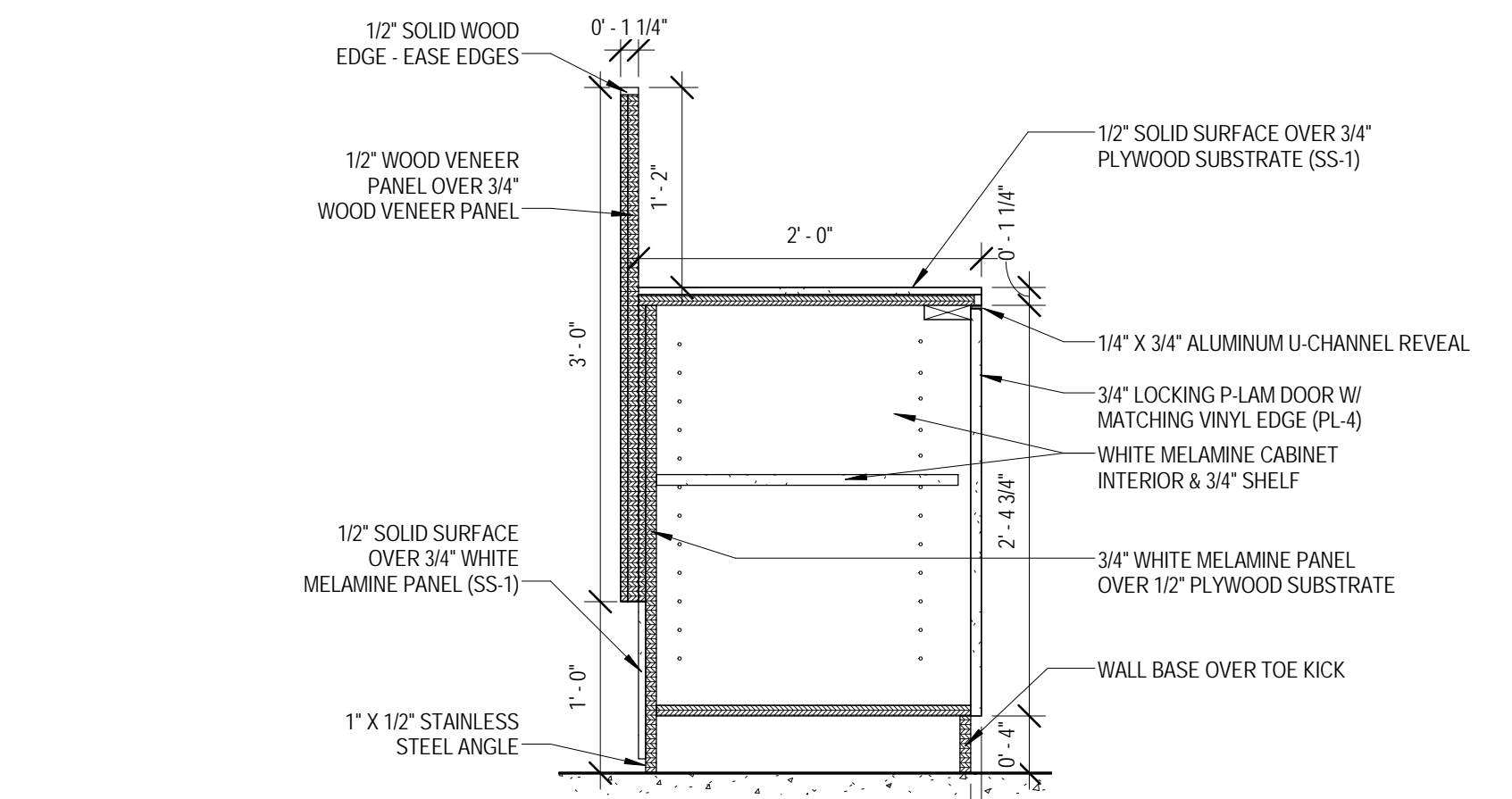
3 MILLWORK SECTION C - CAFE 1017A
 1" = 1'-0"



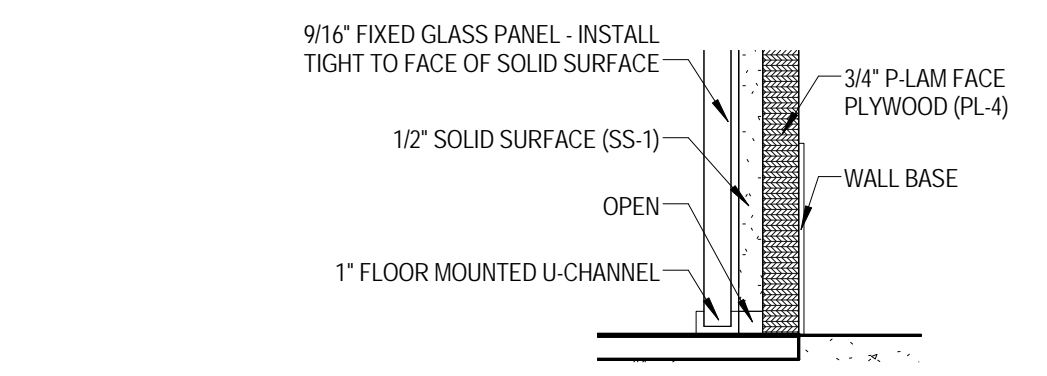
4 MILLWORK SECTION D - CAFE 1017A
 1" = 1'-0"



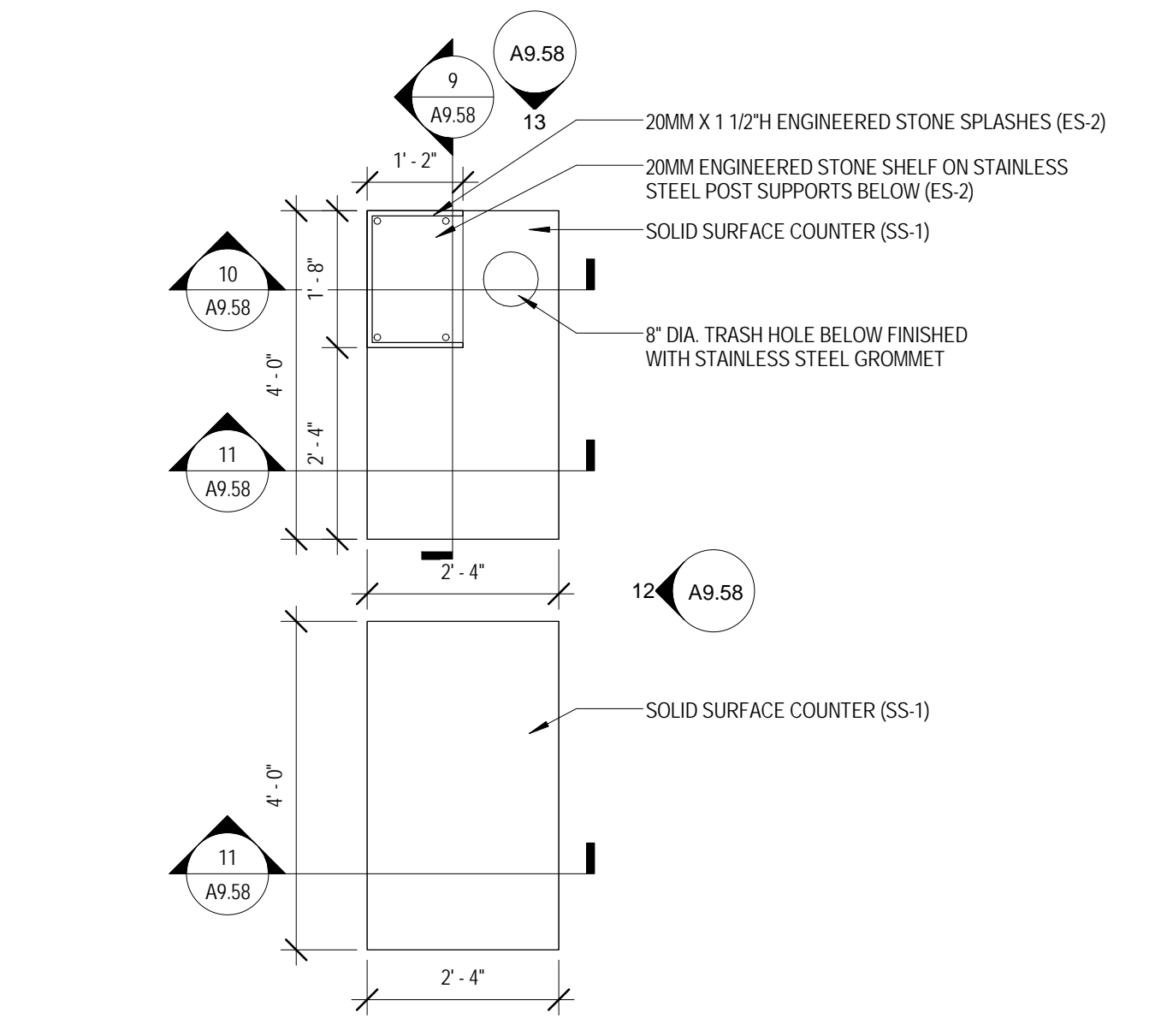
5 MILLWORK SECTION E - CAFE 1017A
 1" = 1'-0"



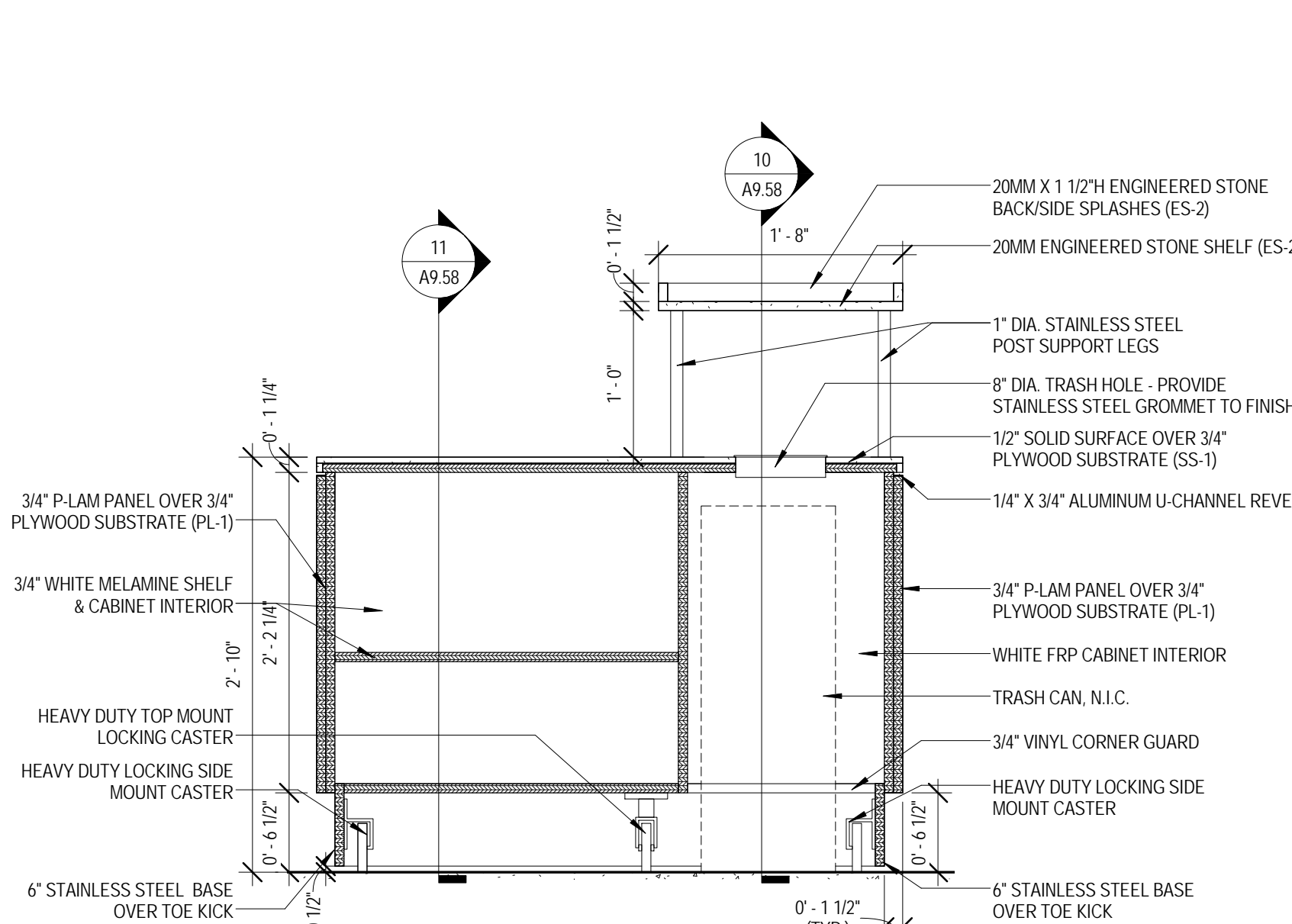
6 MILLWORK SECTION F - CAFE 1017A
 1" = 1'-0"



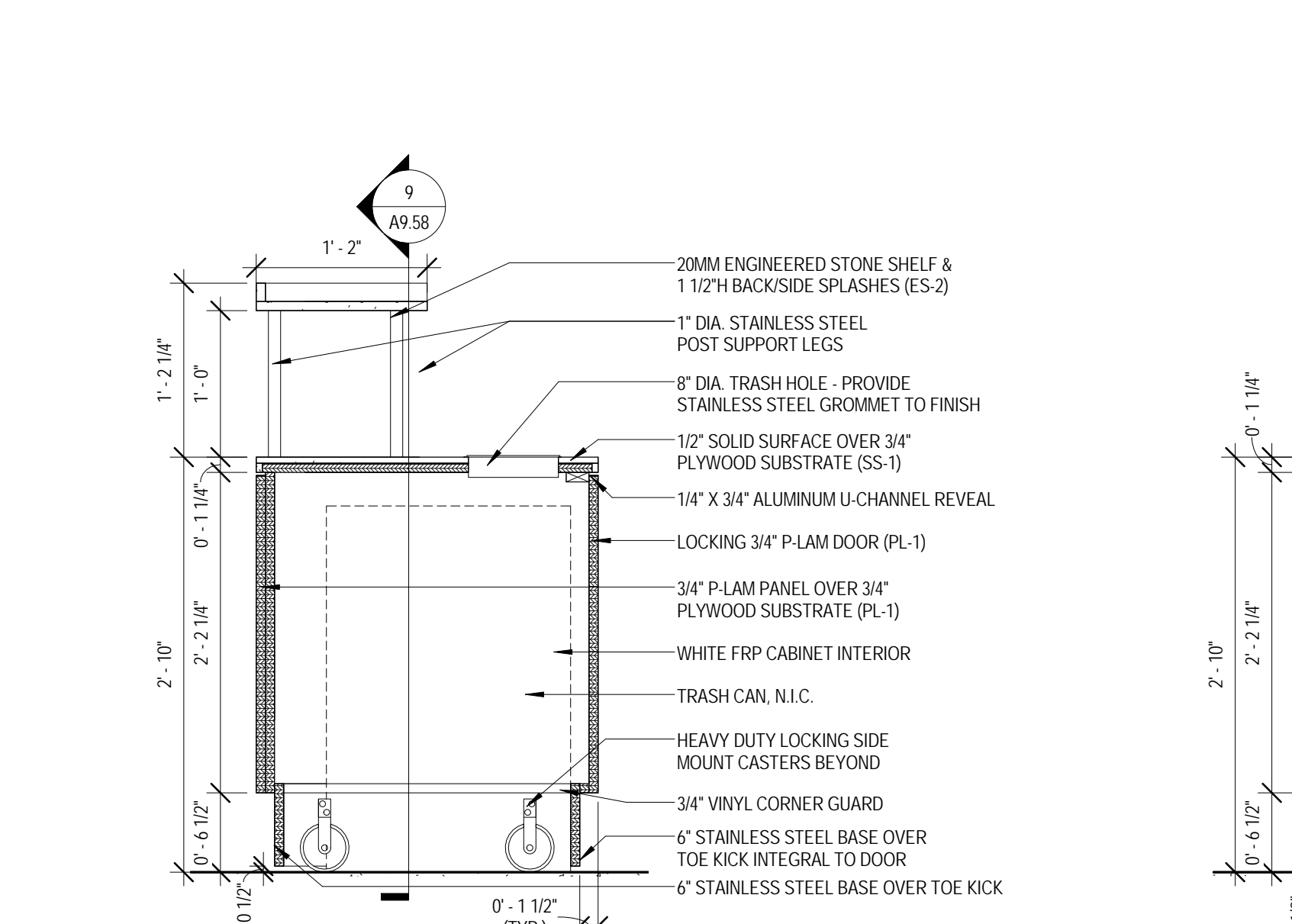
7 MILLWORK DETAIL - CAFE 1037A
 3" = 1'-0"



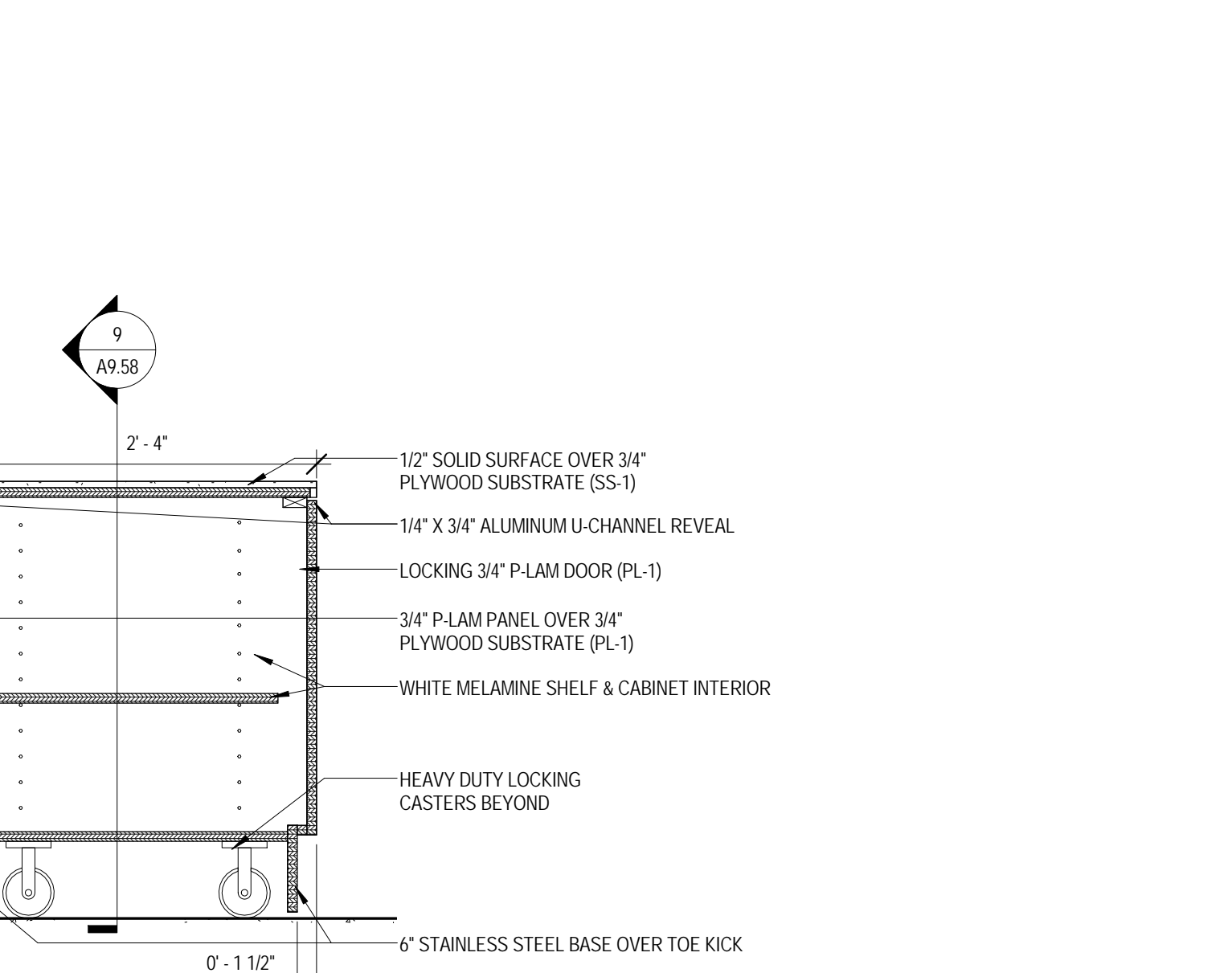
8 ENLARGED PLAN - MILLWORK - CONDIMENT CART
 1/2" = 1'-0"



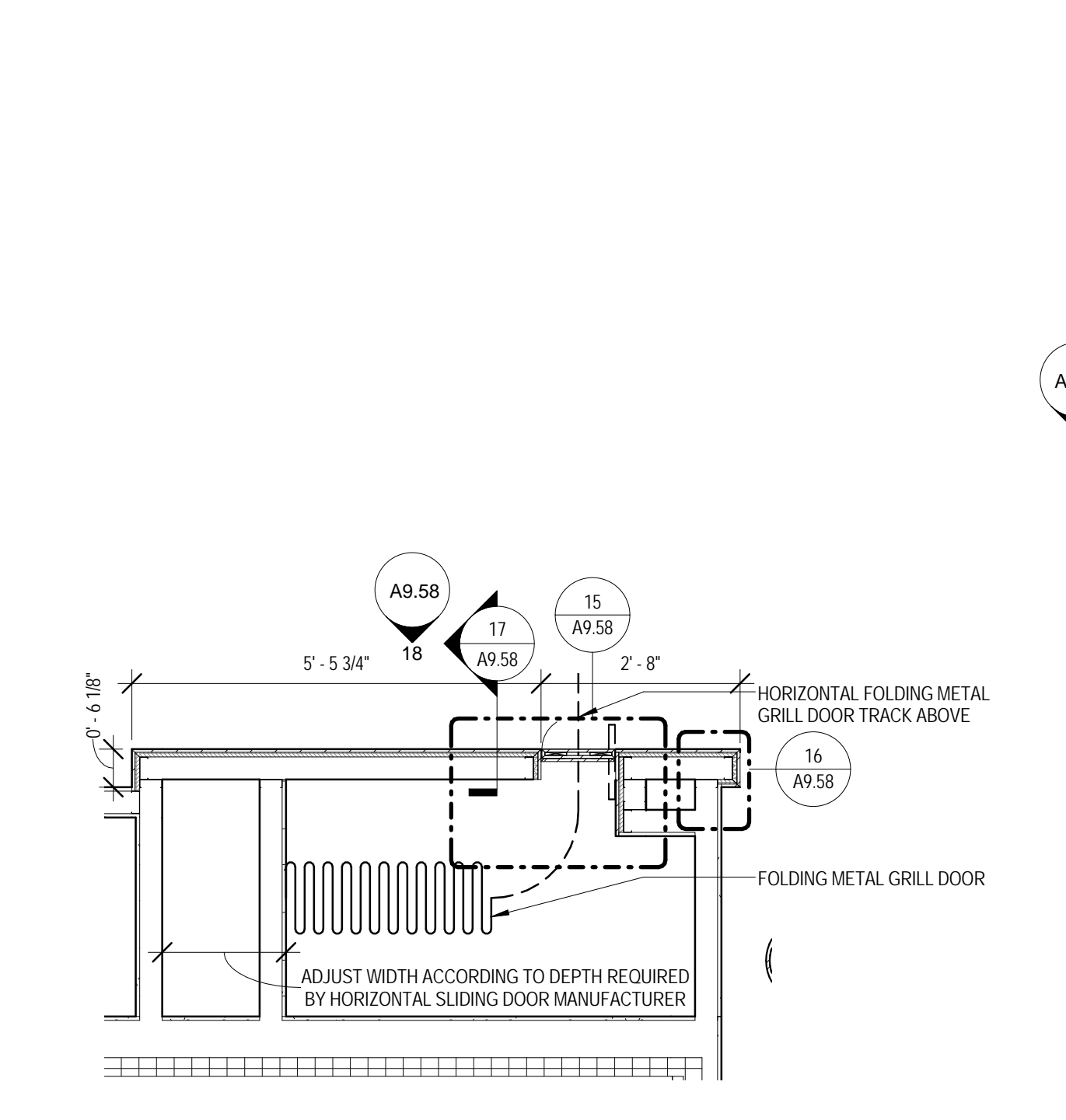
9 MILLWORK SECTION - CONDIMENT CART A
 1" = 1'-0"



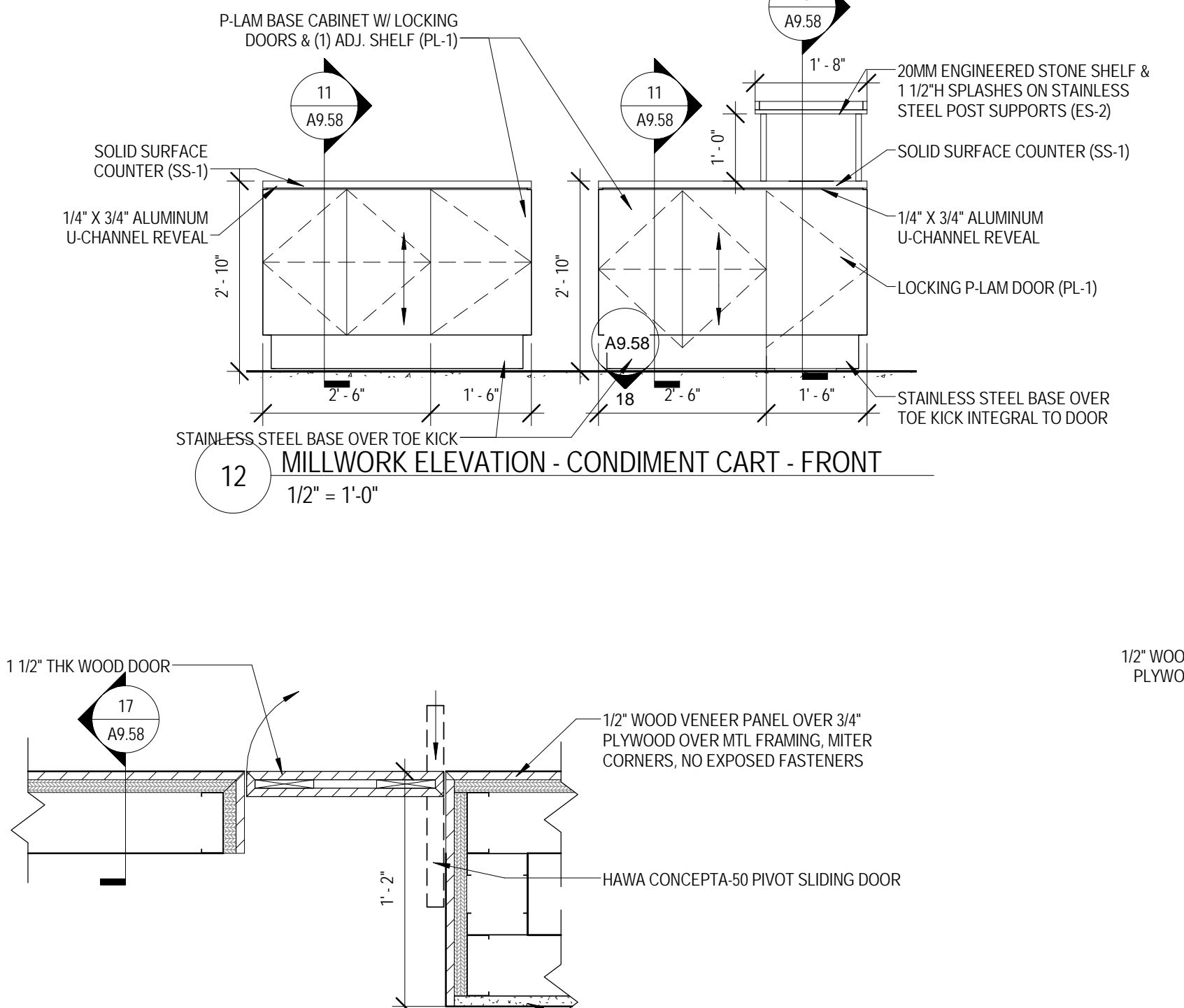
10 MILLWORK SECTION - CONDIMENT CART B
 1" = 1'-0"



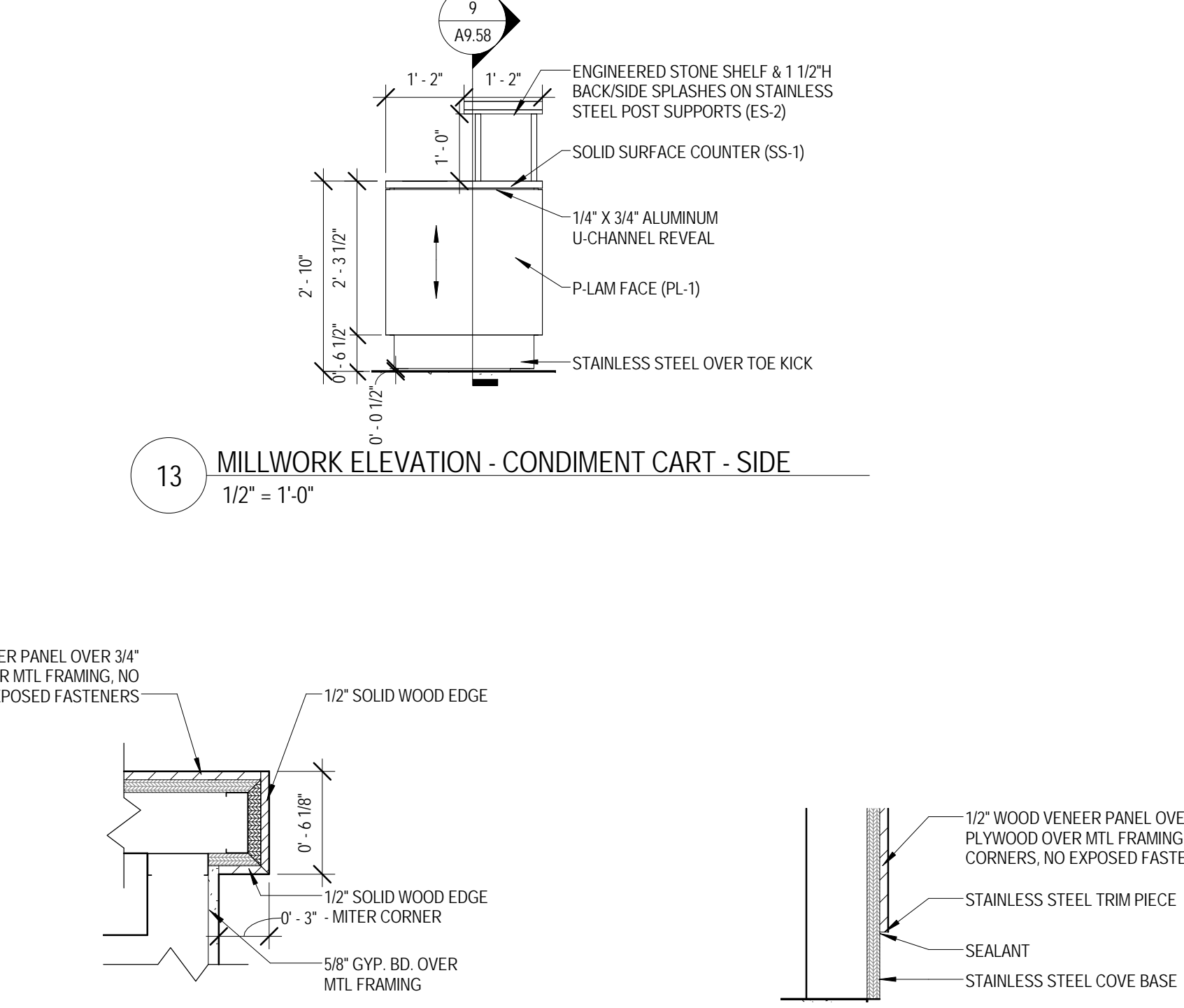
11 MILLWORK SECTION - CONDIMENT CART C
 1" = 1'-0"



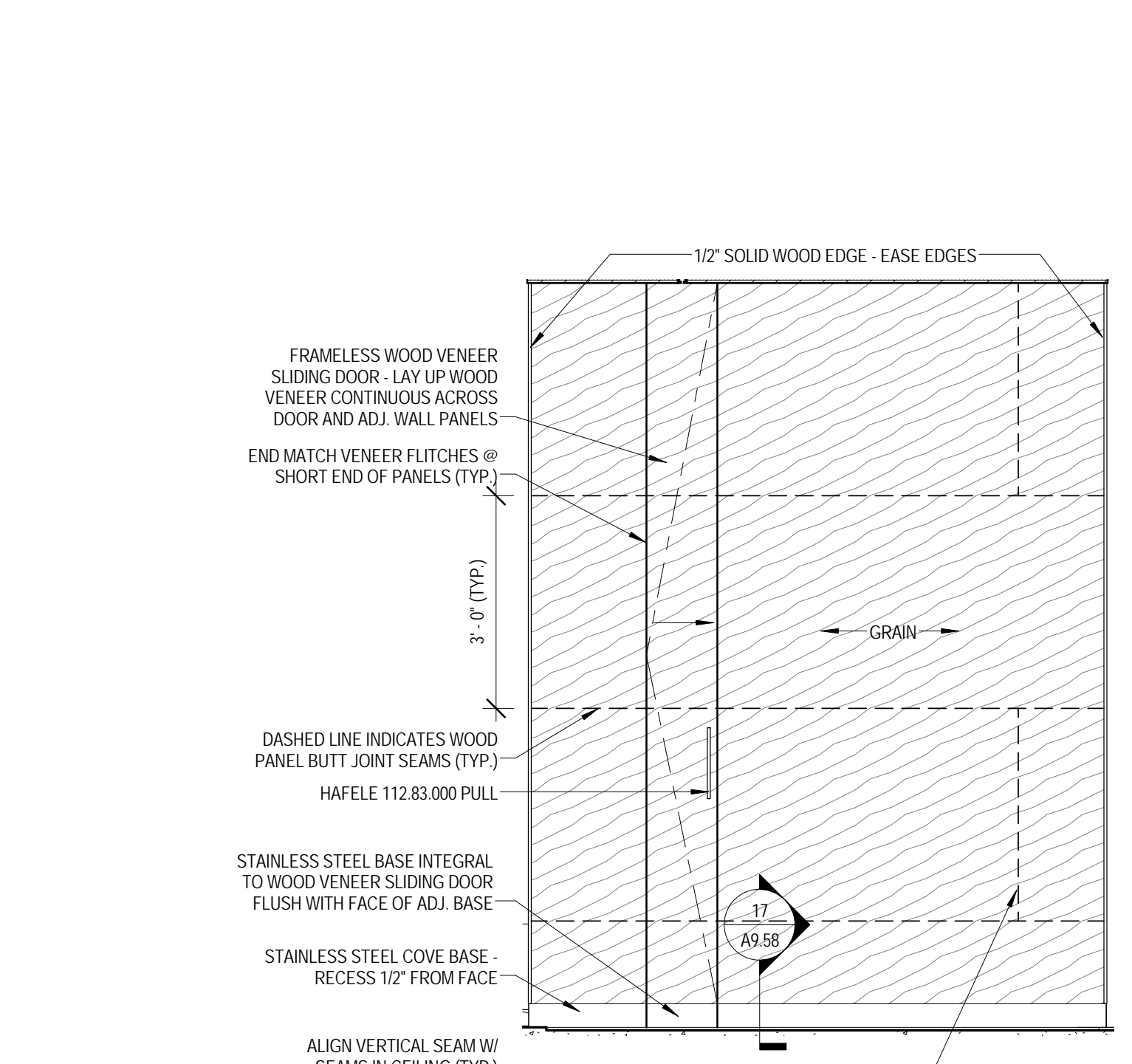
14 ENLARGED PLAN - MILLWORK - SERVERY 1017 SECURITY GATE
 1/2" = 1'-0"



12 MILLWORK ELEVATION - CONDIMENT CART - FRONT
 1/2" = 1'-0"



13 MILLWORK ELEVATION - CONDIMENT CART - SIDE
 1/2" = 1'-0"



17 SECTION DETAIL - MILLWORK - SERVERY 1017
 1 1/2" = 1'-0"

15 PLAN DETAIL A - MILLWORK - SERVERY 1017 SECURITY GATE
 1 1/2" = 1'-0"

16 PLAN DETAIL B - MILLWORK - SERVERY 1017 SECURITY GATE
 1 1/2" = 1'-0"

18 MILLWORK ELEVATION - SERVERY 1017
 1/2" = 1'-0"



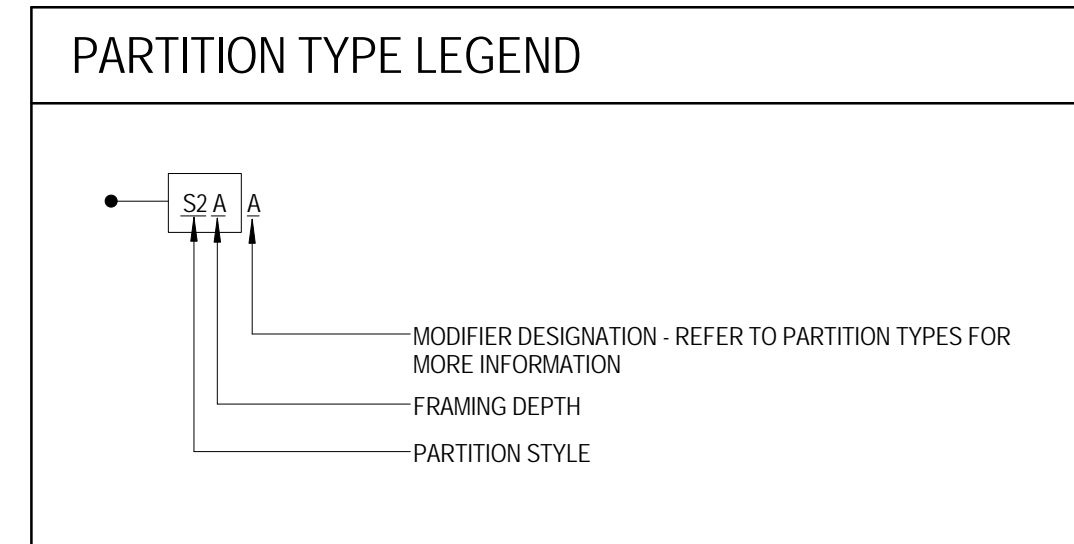
ARCHITECT OF RECORD
DEMONICA KEMPER ARCHITECTS
 125 N. HALSTED STREET, SUITE 301
 CHICAGO, IL 60661
 P: 312.496.0000

STRUCTURAL AND MEP/PF ENGINEERING
KJWW ENGINEERING CONSULTANTS
 1100 WARRENVILLE RD. SUITE
 400W NAPERVILLE, IL 60563
 P: 630.527.2320

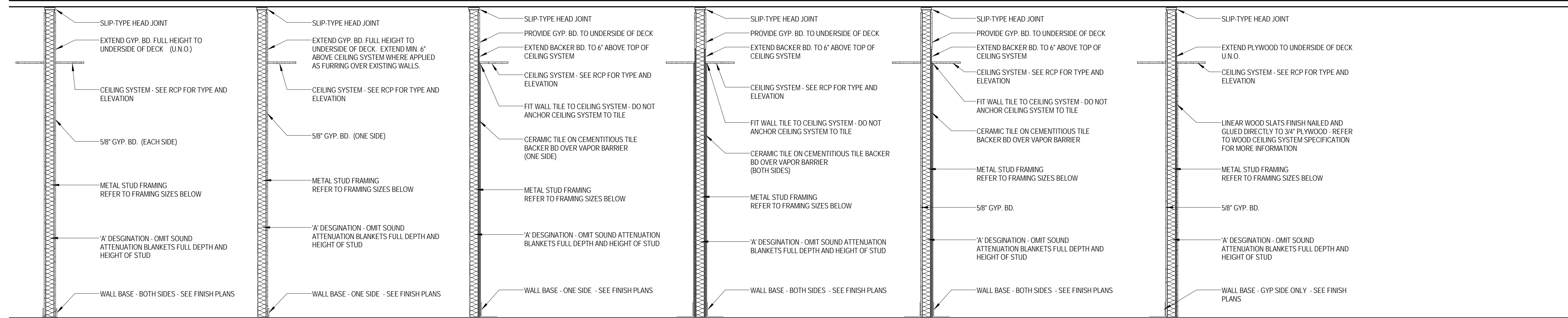
FOOD SERVICE CONSULTANT
CINI LITTLE INTERNATIONAL, INC.
 200 E. HOWARD AVE. SUITE 212
 DES PLAINES, IL 60018
 P: 847.298.0088

CONSTRUCTION MANAGER
JOLIET JUNIOR COLLEGE
 1215 HOUBOLT RD.
 JOLIET, IL 60431
 P: 815.280.2212

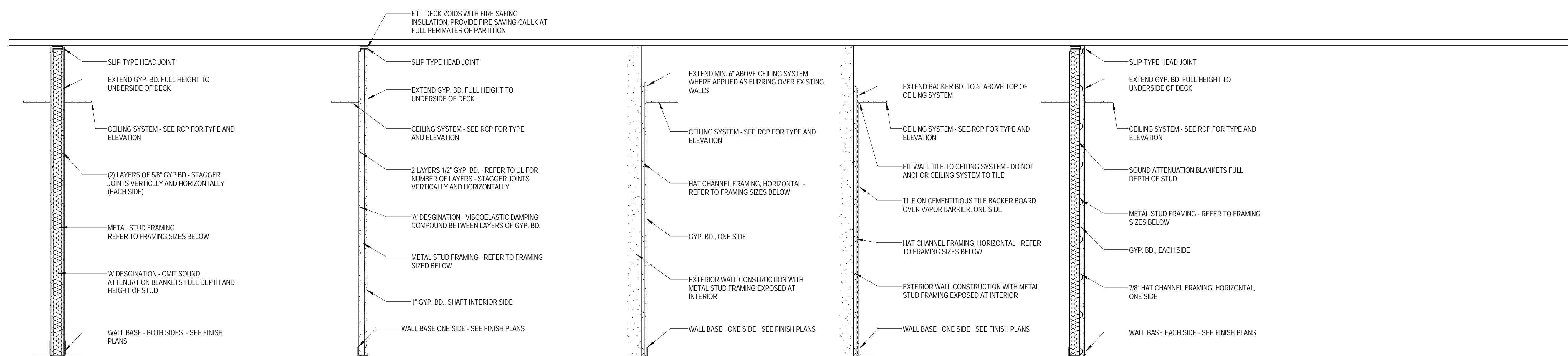
JOLIET JUNIOR COLLEGE
ROMEIOVILLE CAMPUS EXPANSION
 1125 135th ST. ROMEIOVILLE, IL 60446
 DKA PROJECT NO: 14-005



- ### PARTITION TYPE GENERAL NOTES:
- ALL INTERIOR PARTITIONS SHALL BE TYPE S1A (U.N.O.)
 - ALL GYP BD ENCLOSURES AROUND COLUMNS SHALL BE TYPE S2C (U.N.O.)
 - PROVIDE SOLID FIRE RETARDANT TREATED WOOD BLOCKING, FLAT METAL STRAPS, OR METAL BACKING PLATES AT ALL WALL MOUNTED FIXTURES AND ACCESSORIES, INCLUDING BUT NOT LIMITED TO, DOOR STOPS, MILLWORK, DIGITAL DISPLAYS, VISUAL DISPLAY BOARDS, TOILET PARTITIONS, AND SIMILAR CONDITIONS.
 - PROVIDE MOISTURE RESISTANT GYP BD AT ALL PLUMBING PARTITIONS NOT SCHEDULED TO RECEIVE TILE.
 - SEE SPECIFICATIONS FOR ORIENTATION OF GYP BD PANELS, SIZING, AND SPACING OF METAL STUD FRAMING.
 - SEE SPECIFICATIONS FOR TYPE AND SPACING OF CMU HORIZONTAL JOINT REINFORCEMENT.
 - SEE INTERIOR ELEVATIONS FOR ANY GYP BD REVEAL PATTERNS.
 - FIRE-RESISTANCE RATED SEPARATIONS
 - SEE CODE COMPLIANCE PLANS FOR LOCATIONS AND TYPES OF FIRE RESISTANCE RATED SEPARATIONS.
 - AT SMOKE PARTITIONS, FIRE PARTITIONS AND FIRE BARRIERS, WALL ASSEMBLY CONSTRUCTION SHALL EXTEND FROM TOP OF FLOOR TO THE UNDERSIDE OF THE FLOOR, ROOF, SLAB, OR DECK ABOVE.
 - ALL PARTITIONS SHALL HAVE THE FOLLOWING PERMANENTLY AFFIXED MARKINGS AND IDENTIFICATION:
 - aa 1/2" HIGH LETTERING, INDICATING RATING AND FIRE RESISTANCE RATED PARTITION TYPE, I.E. "2-HR FIRE WALL" OR "1-HR FIRE BARRIER", AND SHALL ALSO INCLUDE THE FOLLOWING SUFFIX: "PROTECT ALL OPENINGS AND PENETRATIONS"
 - bb LOCATE LETTERING ABOVE ACCESSIBLE CEILINGS AT INTERVALS NOT TO EXCEED 30". THERE SHOULD BE A MINIMUM OF ONE MARKING PER WALL PER ROOM.
 - PROVIDE ACOUSTICAL SEALANT AT ALL PARTITIONS THAT HAVE ACOUSTIC BATT INSULATION.



- S1 - GYP BD EACH SIDE - CONSTRUCT PER UL U419 AT SMOKE AND 1-HR FIRE RESISTANCE RATED PARTITIONS**
 - S1A 3-5/8" METAL STUD FRAMING
 - S1B 6" METAL STUD FRAMING
 - S1C 1-5/8" METAL STUD FRAMING
 - S1D 2-1/2" METAL STUD FRAMING
 - S1E 8" METAL STUD FRAMING
- S2 - GYP BD ONE SIDE**
 - S2A 3-5/8" METAL STUD FRAMING
 - S2B 6" METAL STUD FRAMING
 - S2C 1-5/8" METAL STUD FRAMING
 - S2D 2-1/2" METAL STUD FRAMING
- S3 - WALL TILE ONE SIDE**
 - S3A 3-5/8" METAL STUD FRAMING
 - S3B 6" METAL STUD FRAMING
- S4 - WALL TILE EACH SIDE**
 - S4A 3-5/8" METAL STUD FRAMING
 - S4B 6" METAL STUD FRAMING
- S5 - TILE ONE SIDE, GYP BD ONE SIDE**
 - S5A 3-5/8" METAL STUD FRAMING
 - S5B 6" METAL STUD FRAMING
- S6 - WOOD PANELING ONE SIDE, GYP BD ONE SIDE**
 - S6A 3-5/8" METAL STUD FRAMING
 - S6B 6" METAL STUD FRAMING



- S7 - TWO LAYERS OF GYP BD EACH SIDE**
 - S7A 3-5/8" METAL STUD FRAMING
 - S7B 6" METAL STUD FRAMING
- SW - SHAFT WALL**
 - SW1 2-1/2" C-H STUD SHAFT WALL FRAMING - 1 HR RESISTANCE - CONSTRUCT PER UL U415 A
 - SW2 2-1/2" C-H STUD SHAFT WALL FRAMING - 2 HR RESISTANCE - CONSTRUCT PER UL U415 B
- F1 - HAT CHANNEL FRAMING - GYP BD ONE SIDE**
 - F1A 7/8" HAT CHANNEL FRAMING
- F2 - HAT CHANNEL FRAMING - TILE ONE SIDE**
 - F2A 7/8" HAT CHANNEL FRAMING
- F3 - HAT CHANNEL FRAMING - GYP BD EACH SIDE**
 - F3A 7/8" HAT CHANNELS ON 3-5/8" METAL STUD FRAMING



- M1 - MASONRY WALL - CMU**
 - M1A 8" CMU

KEY PLAN:

SHEET STATUS: 9/21/15
ISSUED FOR CONSTRUCTION

NO.	DESCRIPTION:	DATE:

SHEET TITLE:
WALL PARTITION TYPES AND DETAILS

SHEET NUMBER:
A10.01



ARCHITECT OF RECORD
DEMIONA KEMPER ARCHITECTS
 125 N. HALSTED STREET, SUITE 301
 CHICAGO, IL 60661
 P: 312.496.0000

STRUCTURAL AND MEP/PF ENGINEERING
KJWW ENGINEERING CONSULTANTS
 1100 WARRENVILLE RD. SUITE
 400W NAPERVILLE, IL 60563
 P: 630.527.2320

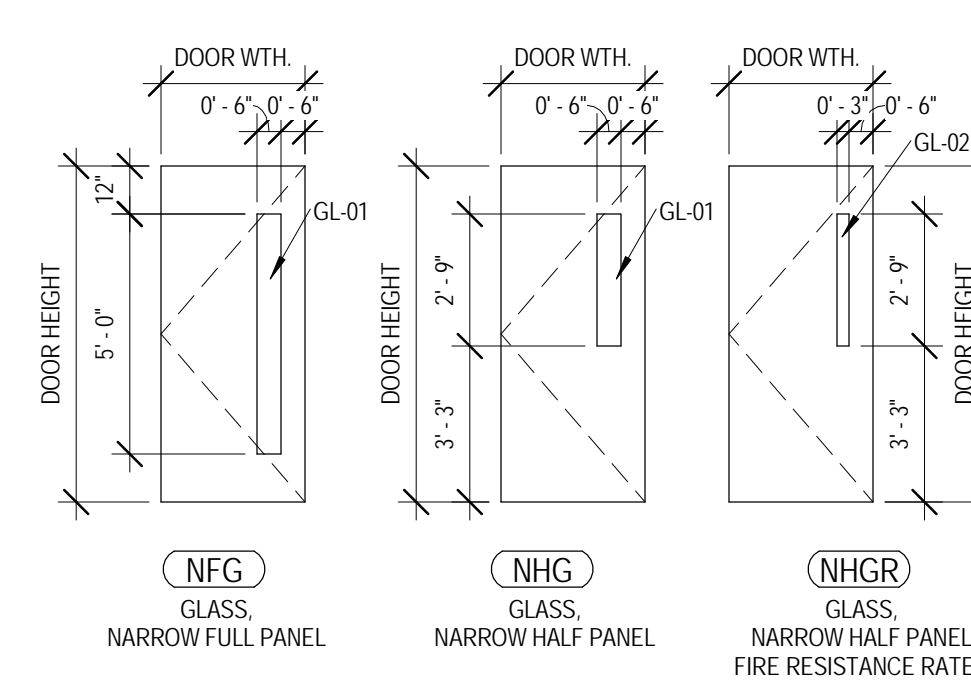
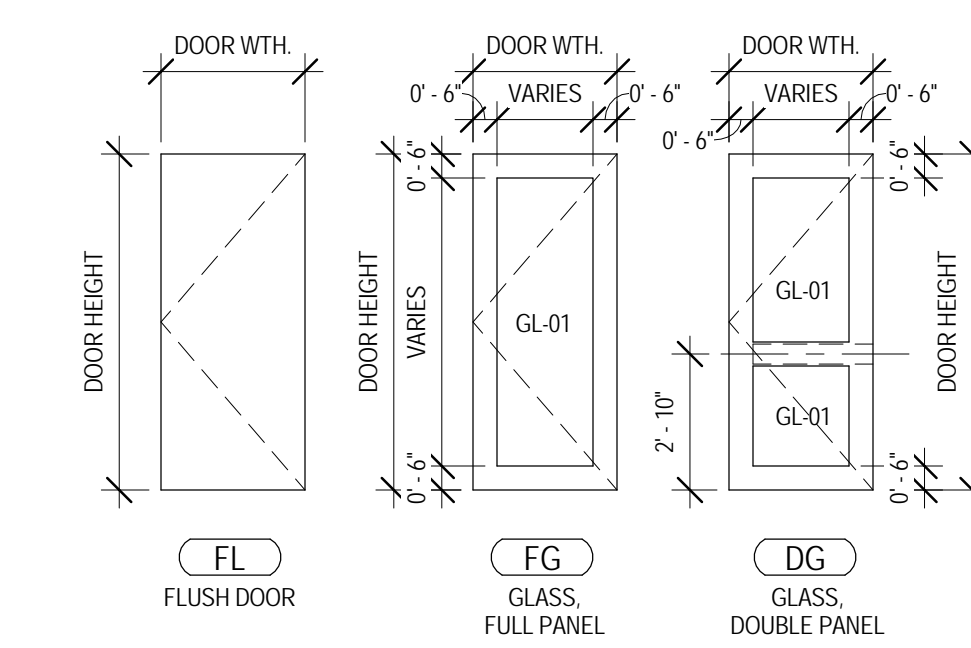
FOOD SERVICE CONSULTANT
CINI LITTLE INTERNATIONAL, INC.
 200 E. HOWARD AVE. SUITE 212
 DES PLAINES, IL 60018
 P: 847.298.0088

CONSTRUCTION MANAGER
JOLIET JUNIOR COLLEGE
 1215 HOUBOLT RD.
 JOLIET, IL 60431
 P: 815.280.2212

JOLIET JUNIOR COLLEGE
ROMEIOVILLE CAMPUS EXPANSION
 1125 135th ST. ROMEIOVILLE, IL 60446
 DKA PROJECT NO: 14-005

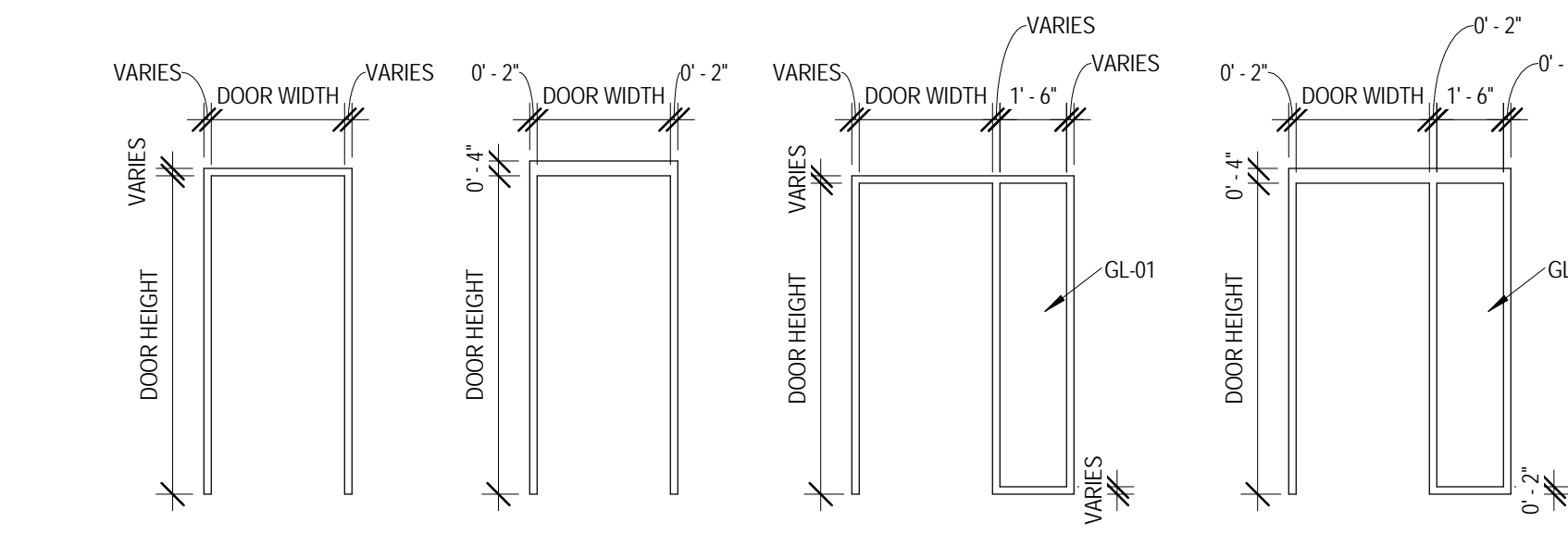
DOOR AND FRAME SCHEDULE										
NUMBER	ROOM NAME	DOOR			FRAME		HARDWARE SET		REMARKS	
		WIDTH	HEIGHT	FIRE RATING	MATERIAL	ELEV	MATERIAL	ELEV		
1000.1	BOOK SALES	3'-0"	7'-0"		WD	FL	ALUM	A1	28	
1000.2	STORAGE	3'-0"	7'-0"		WD	FL	HM	A1	25	GLASS BARN DOORS
1003	OFFICE	3'-0"	7'-0"		WD	FL	HM	A1	25	
1004.1	MEETING ROOM	3'-0"	7'-0"		WD	FL	HM	B1	28	
1004.2	MEETING ROOM	3'-0"	7'-0"		WD	FL	HM	B1	28	
1005	CORRIDOR	3'-0"	7'-0"		WD	FL	HM	B1	25	
1006	CORRIDOR	3'-0"	7'-0"		WD	FL	HM	B1	25	
1007	CORRIDOR	3'-0"	7'-0"		WD	FL	HM	B1	25	
1008	CORRIDOR	3'-0"	7'-0"		WD	FL	HM	B1	25	
1009	CORRIDOR	3'-0"	7'-0"		WD	FL	HM	B1	25	
1010.1	ADJUNCT OFFICE	3'-0"	7'-0"		WD	FL	HM	B1	28	
1011	POLICE	3'-0"	7'-0"		WD	NFG	HM	A1	25	
1012	INTERROGATION	3'-0"	7'-0"		WD	FL	HM	A1	25	
1013	STORAGE	3'-0"	7'-0"		WD	NFG	HM	A1	25	
1014	OFFICE	3'-0"	7'-0"		WD	NFG	HM	A1	25	
1015.1	RECEIVING	6'-0"	8'-4"		HM	FL	HM	A2	13	
1015.2	RECEIVING	6'-0"	7'-0"		HM	FL	HM	A1	19	
1015.3	RECEIVING	3'-6"	7'-0"						34	CHAIN LINK FENCE GATE
1016.1	FOOD PREP	3'-0"	7'-0"		HM	FL	HM	A1	25	
1016.2	FOOD PREP	3'-0"	7'-0"		HM	FL	HM	A1	25	
1016A	FOOD PREP	3'-0"	7'-0"		HM	FL	HM	A1	26	
1016B	OFFICE	3'-0"	7'-0"		HM	NFG	HM	A1	25	
1016C	FOOD PREP	3'-0"	7'-0"		HM	FL	HM	A1	26	
1017.1	SERVERY	3'-0"	7'-0"		HM	FL	HM	A1	31	
1017.2	SERVERY	3'-0"	7'-0"		HM	FL	HM	A1	31	
1017.3	CAFE	3'-0"	7'-0"		HM	FL	HM	A1	28	
1017A	CAFE	3'-0"	7'-0"		HM	FL	HM	A1	25	
1017B	J.C.	3'-0"	7'-0"		HM	FL	HM	A1	25	
1017C	SERVERY	3'-0"	7'-0"		HM	FL	HM	A1	26	
1018.1	DINING	3'-5"	8'-0"		ALUM	FG	ALUM	29	05	
1018.2	DINING	3'-2"	8'-0"		ALUM	FG	ALUM	27	03	
1019.1	COMMONS	6'-0"	7'-0"		WD	FG	ALUM	104	16	
1019.2	MULTIPURPOSE	3'-0"	7'-0"		WD	FG	ALUM	106	21	
1019.3	DINING	3'-0"	7'-0"		WD	FG	ALUM	106	22	
1020	STUDENT ACTIVITIES	3'-0"	7'-0"		WD	NFG	ALUM	A1	25	
1021.1	STUDENT MEETING SPACE	3'-0"	7'-0"		WD	FG	ALUM	107	25	
1021.2	STUDENT MEETING SPACE	3'-0"	7'-0"		WD	NFG	ALUM	A1	27	
1022.1	MULTIPURPOSE	3'-0"	7'-0"		WD	NFG	ALUM	A1	25	
1022.2	STUDENT MEETING SPACE	3'-0"	7'-0"		WD	FL	ALUM	A1	32	
1024	COMMONS	6'-0"	7'-0"		ALUM	FG	ALUM	108	20	
1025	STORAGE	3'-0"	7'-0"		WD	FL	HM	A1	25	
1026	FINANCIAL AID	3'-0"	7'-0"		WD	NFG	HM	A1	25	
1027	FINANCIAL AID	3'-0"	7'-0"		WD	NFG	HM	A1	25	
1028	ADMISSIONS	3'-0"	7'-0"		WD	NFG	HM	A1	25	
1029	COUNSELING	3'-0"	7'-0"		WD	NFG	HM	A1	25	
1031	STORAGE	3'-0"	7'-0"		WD	FL	HM	A1	25	
1032	WORKROOM	3'-0"	7'-0"		WD	NFG	HM	A1	25	
1033	COUNSELING	3'-0"	7'-0"		WD	NFG	HM	A1	25	
1034	COUNSELING	3'-0"	7'-0"		WD	NFG	HM	A1	25	
1035	CAREER SERVICES	3'-0"	7'-0"		WD	NFG	HM	A1	25	
1036.1	COUNSELING	3'-0"	7'-0"		WD	FG	ALUM	110	25	
1036.2	TESTING CHECK-IN	3'-0"	7'-0"		WD	FG	ALUM	113	26	
1036A	STORAGE	3'-0"	7'-0"		WD	FL	HM	A1	25	
1037	SHARED OFFICE	3'-0"	7'-0"		WD	NFG	HM	A1	25	
1038	CORRIDOR	3'-0"	7'-0"		WD	FG	ALUM	112	23	
1040	TESTING CHECK-IN	3'-0"	7'-0"		WD	FG	ALUM	115	33	ADA DOOR OPERATOR
1041	TESTING CHECK-IN	3'-0"	7'-0"		WD	FG	ALUM	115	33	
1042	TESTING CHECK-IN	3'-0"	7'-0"		WD	FG	ALUM	115	33	
1043.1	LARGE TESTING ROOM	3'-0"	7'-0"		WD	FG	ALUM	114	24	
1043.2	LARGE TESTING ROOM	3'-0"	7'-0"		ALUM	FL	ALUM	D	11	
1100.1	VESTIBULE	6'-0"	8'-0"		ALUM	FG	ALUM	11	01	ADA DOOR OPERATOR
1100.2	VESTIBULE	6'-0"	8'-0"		ALUM	FG	ALUM	11	02	
1100.3	VESTIBULE	6'-0"	9'-0"		ALUM	FG	ALUM	102	06	ADA DOOR OPERATOR
1100.4	VESTIBULE	6'-0"	9'-0"		ALUM	FG	ALUM	102	07	
1102.1	STAIR	3'-0"	8'-4"		HM	FL	HM	A2	12	
1102.2	STAIR	3'-0"	7'-0"	60 MIN	ALUM	FG	ALUM	103	14	FIRE RATED GLAZING SYSTEM
1103	M	3'-0"	7'-0"		WD	FL	ALUM	A1	30	ADA DOOR OPERATOR
1104	J.	3'-0"	7'-0"		HM	FL	ALUM	A1	25	
1105	W	3'-0"	7'-0"		WD	FL	ALUM	A1	30	ADA DOOR OPERATOR
1106	IT	3'-0"	7'-0"		HM	FL	HM	A1	25	
1108.1	CORRIDOR	3'-0"	7'-0"		WD	NFG	ALUM	A1	27	
1108.2	CORRIDOR	3'-0"	7'-0"		WD	NFG	ALUM	A1	25	
1109.1	VESTIBULE	3'-0"	8'-0"		ALUM	FG	ALUM	8	04	
1109.2	CORRIDOR	3'-0"	7'-0"		ALUM	FG	ALUM	101	08	
1110.1	STAIR	3'-0"	8'-4"		HM	FL	HM	A2	12	
1110.2	STAIR	3'-0"	7'-0"	60 MIN	WD	NHGR	HM	A1	14	
1111.1	MECHANICAL	6'-0"	7'-0"	45 MIN	HM	FL	HM	A1	17	45 MINUTE DOOR
1111.2	MECHANICAL	6'-0"	8'-4"		HM	FL	HM	A2	13	
1112.1	ELECTRICAL	6'-0"	8'-4"		HM	FL	HM	A2	18	
1112.2	MECHANICAL	3'-0"	7'-0"	45 MIN	HM	FL	HM	A1	29	45 MINUTE DOOR
1113	MECHANICAL	3'-6"	7'-0"		HM	FL	HM	A1	27	
1114	ELECTRICAL	3'-0"	7'-0"	45 MIN	HM	FL	HM	A1	29	45 MINUTE DOOR
1115	IT	3'-0"	7'-0"		WD	FL	HM	A1	25	
1118.1		3'-0"	7'-0"		ALUM	FL	ALUM	E	10	BASE BID ONLY, ADA DOOR OPERATOR
1118.2	CORRIDOR	3'-0"	7'-0"		ALUM	FG	ALUM	B	09	BASE BID ONLY, ADA DOOR OPERATOR
1119.1	STAIR	3'-0"	8'-4"		HM	FL	HM	A2	12	
1119.2	STAIR	3'-0"	7'-0"	60 MIN	WD	NHGR	HM	A1	14	
2000	CLASSROOM	3'-0"	7'-0"		WD	NFG	ALUM	A1	25	
2001	CLASSROOM	3'-0"	7'-0"		WD	NFG	ALUM	A1	25	
2002	CORRIDOR	3'-0"	7'-0"		WD	NFG	ALUM	A1	25	
2003	CLASSROOM	3'-0"	7'-0"		WD	NFG	ALUM	A1	25	
2004	CLASSROOM	3'-0"	7'-0"		WD	NFG	ALUM	A1	25	
2005	CLASSROOM	3'-0"	7'-0"		WD	NFG	ALUM	A1	25	
2006	CLASSROOM	3'-0"	7'-0"		WD	NFG	ALUM	A1	25	
2007	CLASSROOM	3'-0"	7'-0"		WD	NFG	ALUM	A1	25	
2008	PHYSICS LAB	3'-0"	7'-0"		WD	NFG	ALUM	A1	25	
2009	PHYSICS PREP	3'-0"	7'-0"		WD	NFG	HM	A1	28	
2010.1	CHEM PREP	3'-0"	7'-0"		WD	NFG	HM	A1	28	
2010.2	PHYSICS PREP	3'-0"	7'-0"		WD	NFG	HM	A1	28	
2011	CHEM STORAGE	3'-0"	7'-0"		WD	FL	HM	A1	28	
2012.1	CHEMISTRY LAB	3'-0"	7'-0"		WD	NFG	ALUM	A1	27	
2012.2	CORRIDOR	3'-0"	7'-0"		WD	NFG	ALUM	A1	27	
2013.1	COMPUTER LAB	3'-0"	7'-0"		WD	NFG	ALUM	A1	27	
2013.2	CORRIDOR	3'-0"	7'-0"		WD	NFG	ALUM	A1	27	
2014	TESS OFFICE	3'-0"	7'-0"		WD	NFG	ALUM	A1	25	
2015.1	PRINTING	3'-0"	7'-0"		WD	NFG	HM	A1	25	
2015.2	PRINTING	3'-0"	7'-0"		WD	NFG	HM	A1	28	
2015.3	PRINTING	3'-0"	7'-0"		WD	NFG	HM	A1	25	
2016	REPAIR SPACE	3'-0"	7'-0"		WD	NFG	HM	A1	28	
2017.1	COMPUTER LAB	3'-0"	7'-0"		WD	NFG	ALUM	A1	27	
2017.2	CORRIDOR	3'-0"	7'-0"		WD	NFG	ALUM	A1	27	
2101	STAIR	3'-0"	7'-0"	60 MIN	ALUM	FG	ALUM	201	15	FIRE RATED GLAZING SYSTEM
2102	M	3'-0"	7'-0"		WD	FL	ALUM	A1	30	
2103	J	3'-0"	7'-0"		HM	FL	HM	A1	25	
2104	W	3'-0"	7'-0"		WD	FL	ALUM	A1	30	
2105	STORAGE	3'-0"	7'-0"		HM	FL	HM	A1	25	
2107	STAIR	3'-0"	7'-0"	60 MIN	WD	NHGR	HM	A1	14	
2108	LOUNGE	3'-0"	7'-0"		WD	NFG	ALUM	A1	25	
2110	STAIR	3'-0"	7'-0"	60 MIN	WD	NHGR	HM	A1	14	
2115										

ALT. BID DOOR AND FRAME SCHEDULE										
NUMBER	ROOM NAME	DOOR			FRAME		HARDWARE SET		REMARKS	
		WIDTH	HEIGHT	FIRE RATING	MATERIAL	ELEV	MATERIAL	ELEV		
1120.1	LINK	3'-0"	8'-0"		ALUM	FG	ALUM	S/A1.03	05	ALT. BID #1
1120.2	LINK	3'-0"	8'-0"		ALUM	FG	ALUM	S/A1.03	06	ALT. BID #1
1120.3	LINK	3'-0"	7'-0"		WD	FG	ALUM	B		ALT. BID #1

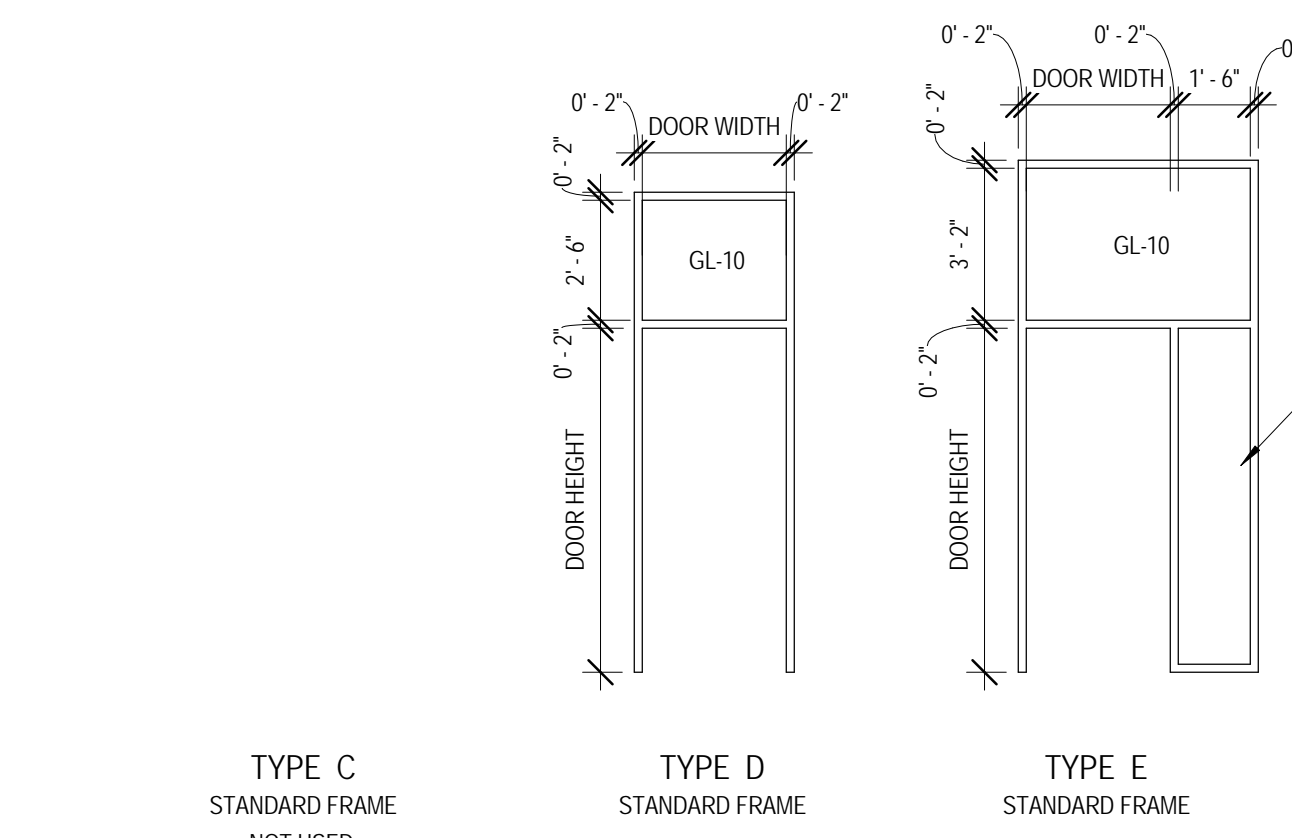


3 DOOR ELEVATIONS
 1/4" = 1'-0"

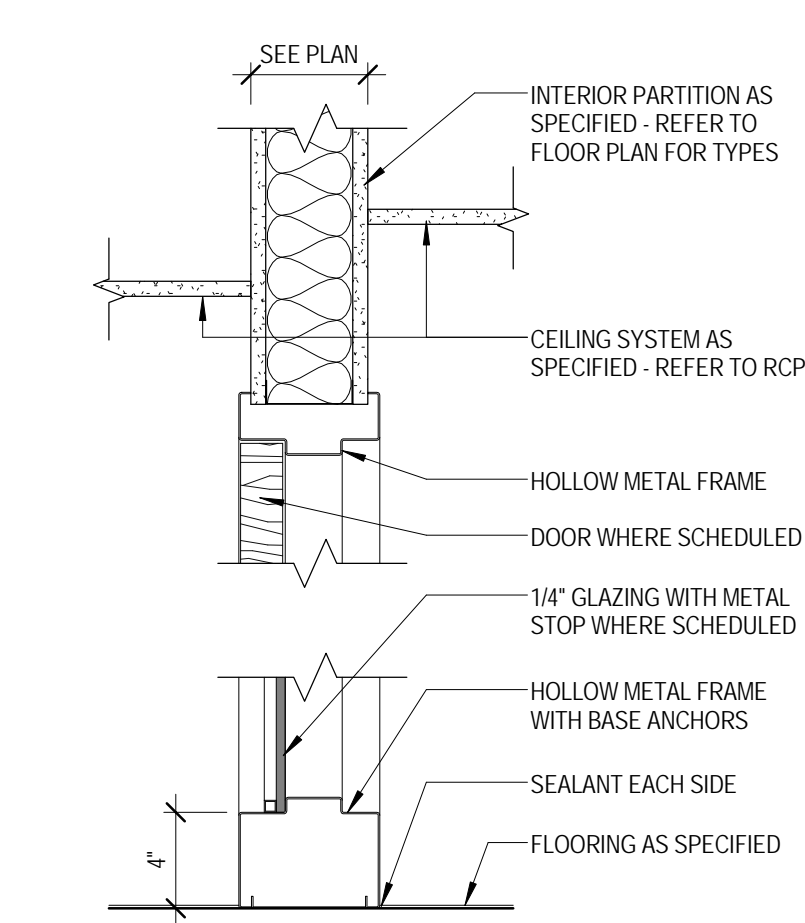
GLASS TYPES SHOWN ARE U.N.O. IN SCHEDULE



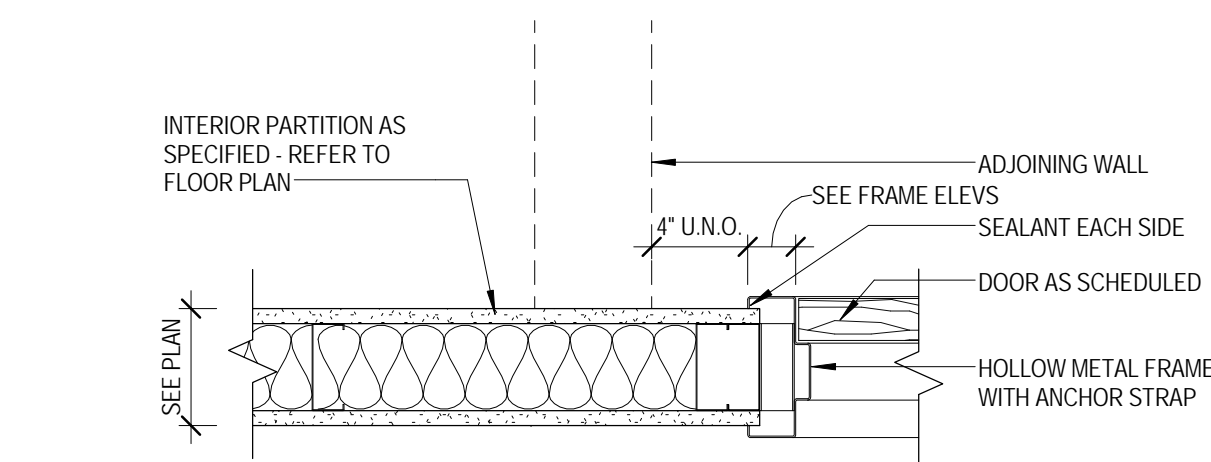
4 FRAME ELEVATIONS
 1/4" = 1'-0"



ADDITIONAL NUMBERED FRAME ELEVATIONS ARE SHOWN ON A10.11 - A10.14



1 HOLLOW METAL FRAME - HEAD & SILL
 1 1/2" = 1'-0"



2 HOLLOW METAL FRAME - JAMB
 1 1/2" = 1'-0"

KEY PLAN:

SHEET STATUS: 9/21/15
ISSUED FOR CONSTRUCTION

NO.	DESCRIPTION:	DATE:

SHEET TITLE:
DOOR FRAMES, SCHEDULES, TYPES AND DETAILS

SHEET NUMBER:
A10.02



ARCHITECT OF RECORD
DEMONICA KEMPER ARCHITECTS
 125 N. HALSTED STREET, SUITE 301
 CHICAGO, IL 60661
 P: 312.496.0000

STRUCTURAL AND MEP/FP ENGINEERING
KJWW ENGINEERING CONSULTANTS
 1100 WARRENVILLE RD. SUITE
 400W NAPERVILLE, IL 60563
 P: 630.527.2320

FOOD SERVICE CONSULTANT
CINI LITTLE INTERNATIONAL, INC.
 200 E. HOWARD AVE. SUITE 212
 DES PLAINES, IL 60018
 P: 847.298.0088

CONSTRUCTION MANAGER
JOLIET JUNIOR COLLEGE
 1215 HOUBOLT RD.
 JOLIET, IL 60431
 P: 815.280.2212

**JOLIET JUNIOR COLLEGE
 ROMEOVILLE CAMPUS EXPANSION**
 1125 135th ST. ROMEOVILLE, IL 60446
 DKA PROJECT NO: 14-005

KEY PLAN:

SHEET STATUS: 9/21/15

**ISSUED FOR
 CONSTRUCTION**

NO.	DESCRIPTION:	DATE:

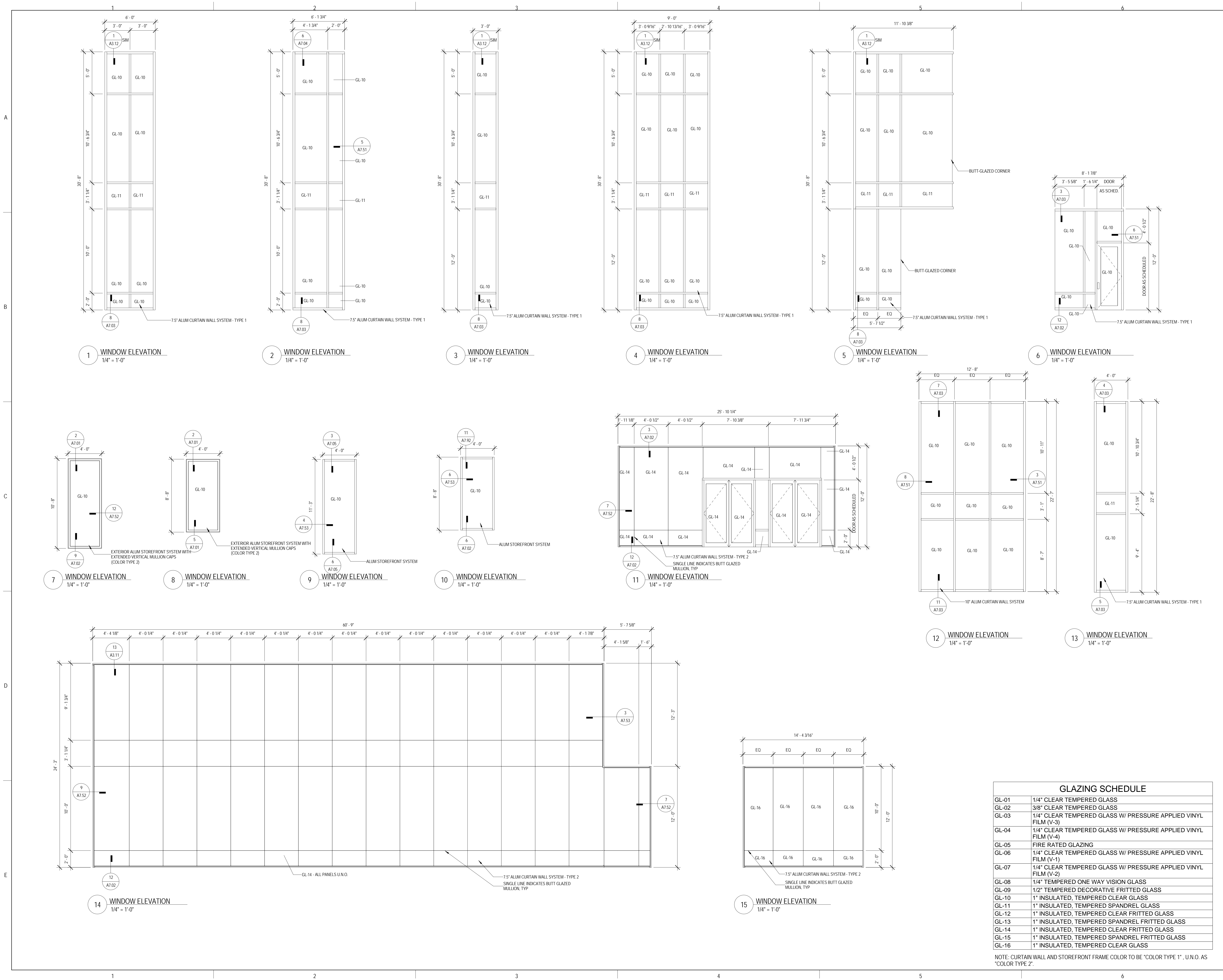
SHEET TITLE:

**WINDOW
 ELEVATIONS**

SHEET NUMBER:

A10.11

9/18/2015 9:38:51 AM



GLAZING SCHEDULE	
GL-01	1/4" CLEAR TEMPERED GLASS
GL-02	3/8" CLEAR TEMPERED GLASS
GL-03	1/4" CLEAR TEMPERED GLASS W/ PRESSURE APPLIED VINYL FILM (V-3)
GL-04	1/4" CLEAR TEMPERED GLASS W/ PRESSURE APPLIED VINYL FILM (V-4)
GL-05	FIRE RATED GLAZING
GL-06	1/4" CLEAR TEMPERED GLASS W/ PRESSURE APPLIED VINYL FILM (V-1)
GL-07	1/4" CLEAR TEMPERED GLASS W/ PRESSURE APPLIED VINYL FILM (V-2)
GL-08	1/4" TEMPERED ONE WAY VISION GLASS
GL-09	1/2" TEMPERED DECORATIVE FRITTED GLASS
GL-10	1" INSULATED, TEMPERED CLEAR GLASS
GL-11	1" INSULATED, TEMPERED SPANDREL GLASS
GL-12	1" INSULATED, TEMPERED CLEAR FRITTED GLASS
GL-13	1" INSULATED, TEMPERED SPANDREL FRITTED GLASS
GL-14	1" INSULATED, TEMPERED CLEAR FRITTED GLASS
GL-15	1" INSULATED, TEMPERED SPANDREL FRITTED GLASS
GL-16	1" INSULATED, TEMPERED CLEAR GLASS

NOTE: CURTAIN WALL AND STOREFRONT FRAME COLOR TO BE "COLOR TYPE 1", U.N.O. AS "COLOR TYPE 2".



ARCHITECT OF RECORD
 DEMONICA KEMPER ARCHITECTS
 125 N. HALSTED STREET, SUITE 301
 CHICAGO, IL 60661
 P: 312.496.0000

STRUCTURAL AND MEP/PF ENGINEERING
 KJWW ENGINEERING CONSULTANTS
 1100 WARRENVILLE RD. SUITE
 400W NAPERVILLE, IL 60563
 P: 630.527.2320

FOOD SERVICE CONSULTANT
 CINI LITTLE INTERNATIONAL, INC.
 200 E. HOWARD AVE. SUITE 212
 DES PLAINES, IL 60018
 P: 847.298.0088

CONSTRUCTION MANAGER
 JOLIET JUNIOR COLLEGE
 1215 HOUBOLT RD.
 JOLIET, IL 60431
 P: 815.280.2212

**JOLIET JUNIOR COLLEGE
 ROMEOVILLE CAMPUS EXPANSION**
 1125 135th ST. ROMEOVILLE, IL 60446
 DKA PROJECT NO: 14-005

KEY PLAN:

SHEET STATUS: 9/21/15

**ISSUED FOR
 CONSTRUCTION**

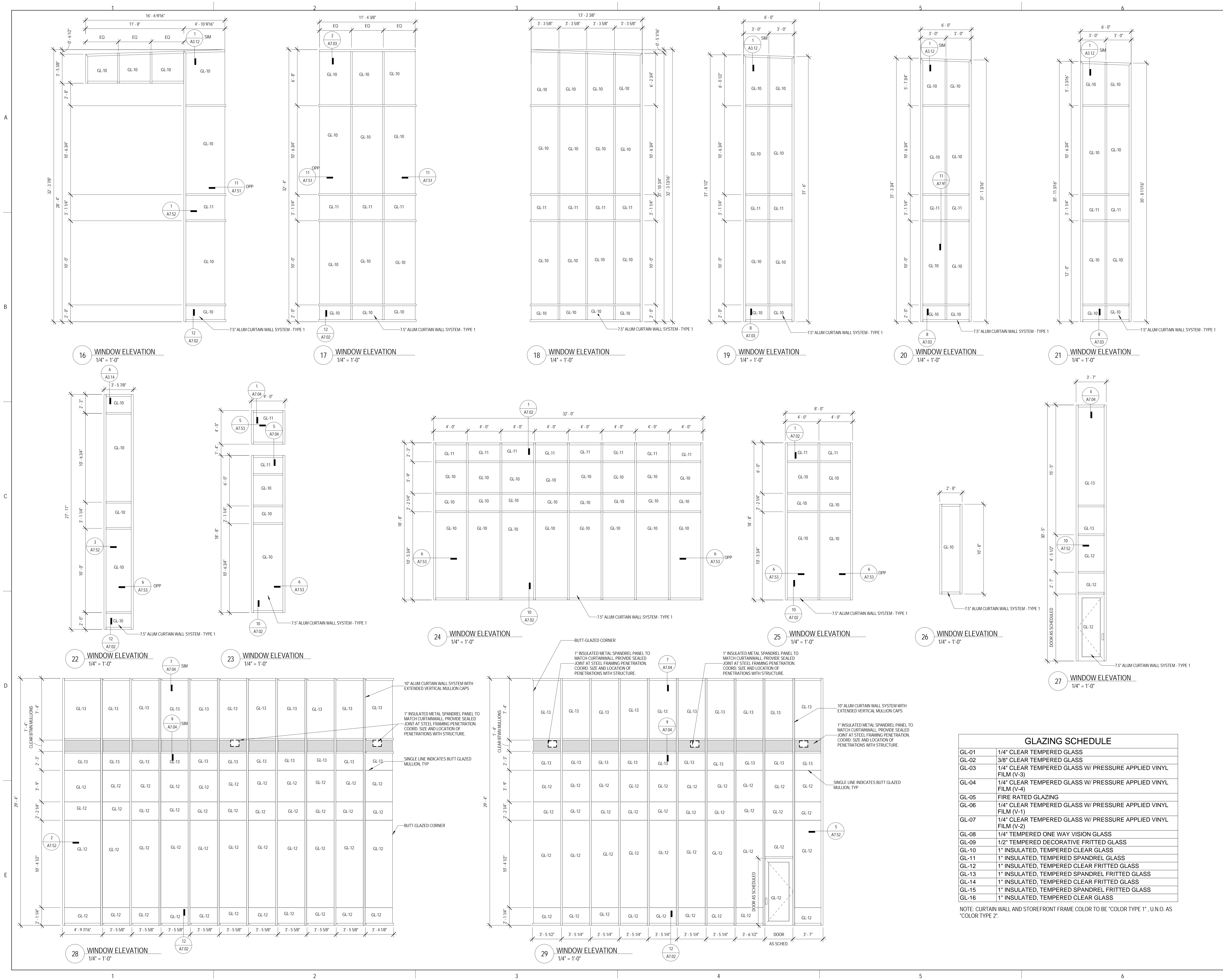
NO.	DESCRIPTION:	DATE:

SHEET TITLE:
**WINDOW
 ELEVATIONS**

SHEET NUMBER:

A10.12

9/18/2015 9:38:58 AM



GLAZING SCHEDULE	
GL-01	1/4" CLEAR TEMPERED GLASS
GL-02	3/8" CLEAR TEMPERED GLASS
GL-03	1/4" CLEAR TEMPERED GLASS W/ PRESSURE APPLIED VINYL FILM (V-3)
GL-04	1/4" CLEAR TEMPERED GLASS W/ PRESSURE APPLIED VINYL FILM (V-4)
GL-05	FIRE RATED GLAZING
GL-06	1/4" CLEAR TEMPERED GLASS W/ PRESSURE APPLIED VINYL FILM (V-1)
GL-07	1/4" CLEAR TEMPERED GLASS W/ PRESSURE APPLIED VINYL FILM (V-2)
GL-08	1/4" TEMPERED ONE WAY VISION GLASS
GL-09	1/2" TEMPERED DECORATIVE FRITTED GLASS
GL-10	1" INSULATED, TEMPERED CLEAR GLASS
GL-11	1" INSULATED, TEMPERED SPANDREL GLASS
GL-12	1" INSULATED, TEMPERED CLEAR FRITTED GLASS
GL-13	1" INSULATED, TEMPERED SPANDREL FRITTED GLASS
GL-14	1" INSULATED, TEMPERED CLEAR FRITTED GLASS
GL-15	1" INSULATED, TEMPERED SPANDREL FRITTED GLASS
GL-16	1" INSULATED, TEMPERED CLEAR GLASS

NOTE: CURTAIN WALL AND STOREFRONT FRAME COLOR TO BE "COLOR TYPE 1", U.N.O. AS "COLOR TYPE 2".



ARCHITECT OF RECORD
DEMIONA KEMPER ARCHITECTS
 125 N. HALSTED STREET, SUITE 301
 CHICAGO, IL 60661
 P: 312.496.0000

STRUCTURAL AND MEP/FP ENGINEERING
KJWW ENGINEERING CONSULTANTS
 1100 WARRENVILLE RD. SUITE
 400W NAPERVILLE, IL 60563
 P: 630.527.2320

FOOD SERVICE CONSULTANT
CINI LITTLE INTERNATIONAL, INC.
 200 E. HOWARD AVE. SUITE 212
 DES PLAINES, IL 60018
 P: 847.298.0088

CONSTRUCTION MANAGER
JOLIET JUNIOR COLLEGE
 1215 HOUBOLT RD.
 JOLIET, IL 60431
 P: 815.280.2212

**JOLIET JUNIOR COLLEGE
 ROMEOVILLE CAMPUS EXPANSION**
 1125 135th ST. ROMEOVILLE, IL 60446
 DKA PROJECT NO: 14-005

KEY PLAN:

SHEET STATUS: 9/21/15

**ISSUED FOR
 CONSTRUCTION**

NO.	DESCRIPTION:	DATE:

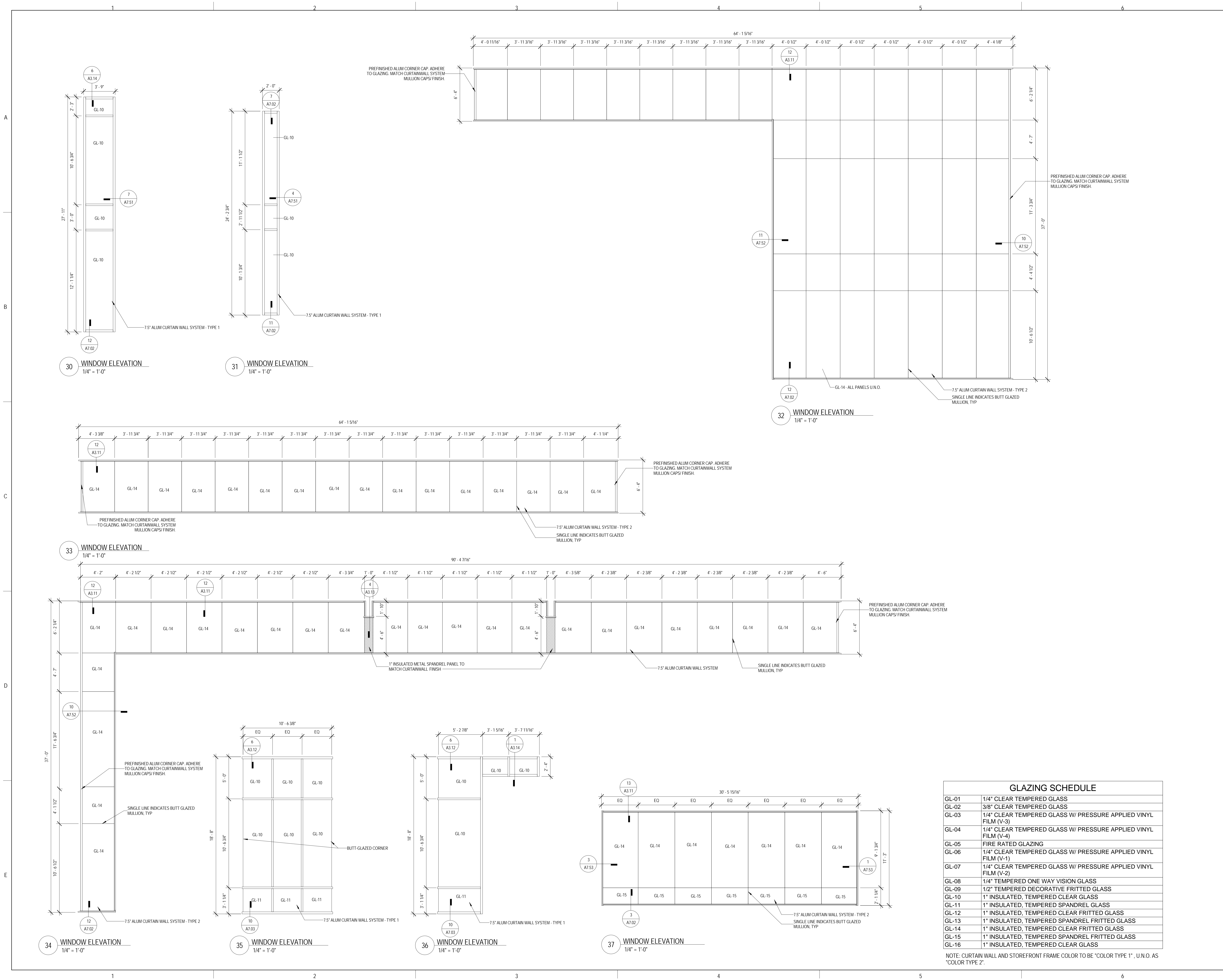
SHEET TITLE:

**WINDOW
 ELEVATIONS**

SHEET NUMBER:

A10.13

9/18/2015 9:39:03 AM



GLAZING SCHEDULE	
GL-01	1/4" CLEAR TEMPERED GLASS
GL-02	3/8" CLEAR TEMPERED GLASS
GL-03	1/4" CLEAR TEMPERED GLASS W/ PRESSURE APPLIED VINYL FILM (V-3)
GL-04	1/4" CLEAR TEMPERED GLASS W/ PRESSURE APPLIED VINYL FILM (V-4)
GL-05	FIRE RATED GLAZING
GL-06	1/4" CLEAR TEMPERED GLASS W/ PRESSURE APPLIED VINYL FILM (V-1)
GL-07	1/4" CLEAR TEMPERED GLASS W/ PRESSURE APPLIED VINYL FILM (V-2)
GL-08	1/4" TEMPERED ONE WAY VISION GLASS
GL-09	1/2" TEMPERED DECORATIVE FRITTED GLASS
GL-10	1" INSULATED, TEMPERED CLEAR GLASS
GL-11	1" INSULATED, TEMPERED SPANDREL GLASS
GL-12	1" INSULATED, TEMPERED CLEAR FRITTED GLASS
GL-13	1" INSULATED, TEMPERED SPANDREL FRITTED GLASS
GL-14	1" INSULATED, TEMPERED CLEAR FRITTED GLASS
GL-15	1" INSULATED, TEMPERED SPANDREL FRITTED GLASS
GL-16	1" INSULATED, TEMPERED CLEAR GLASS

NOTE: CURTAIN WALL AND STOREFRONT FRAME COLOR TO BE "COLOR TYPE 1", U.N.O. AS "COLOR TYPE 2".

KEY PLAN:

SHEET STATUS: 9/21/15

ISSUED FOR CONSTRUCTION

NO.	DESCRIPTION:	DATE:

SHEET TITLE:

WINDOW ELEVATIONS

SHEET NUMBER:

A10.14

GLAZING SCHEDULE	
GL-01	1/4" CLEAR TEMPERED GLASS
GL-02	3/8" CLEAR TEMPERED GLASS
GL-03	1/4" CLEAR TEMPERED GLASS W/ PRESSURE APPLIED VINYL FILM (V-3)
GL-04	1/4" CLEAR TEMPERED GLASS W/ PRESSURE APPLIED VINYL FILM (V-4)
GL-05	FIRE RATED GLAZING
GL-06	1/4" CLEAR TEMPERED GLASS W/ PRESSURE APPLIED VINYL FILM (V-1)
GL-07	1/4" CLEAR TEMPERED GLASS W/ PRESSURE APPLIED VINYL FILM (V-2)
GL-08	1/4" TEMPERED ONE WAY VISION GLASS
GL-09	1/2" TEMPERED DECORATIVE FRITTED GLASS
GL-10	1" INSULATED, TEMPERED CLEAR GLASS
GL-11	1" INSULATED, TEMPERED SPANDREL GLASS
GL-12	1" INSULATED, TEMPERED CLEAR FRITTED GLASS
GL-13	1" INSULATED, TEMPERED SPANDREL FRITTED GLASS
GL-14	1" INSULATED, TEMPERED CLEAR FRITTED GLASS
GL-15	1" INSULATED, TEMPERED SPANDREL FRITTED GLASS
GL-16	1" INSULATED, TEMPERED CLEAR GLASS



ARCHITECT OF RECORD
DEMIONA KEMPER ARCHITECTS
 125 N. HALSTED STREET, SUITE 301
 CHICAGO, IL 60661
 P: 312.496.0000

STRUCTURAL AND MEP/FE ENGINEERING
KJWW ENGINEERING CONSULTANTS
 1100 WARRENVILLE RD. SUITE
 400W NAPERVILLE, IL 60563
 P: 630.527.2320

FOOD SERVICE CONSULTANT
CINI LITTLE INTERNATIONAL, INC.
 200 E. HOWARD AVE. SUITE 212
 DES PLAINES, IL 60018
 P: 847.298.0088

CONSTRUCTION MANAGER
JOLIET JUNIOR COLLEGE
 1215 HOUBOLT RD.
 JOLIET, IL 60431
 P: 815.280.2212

JOLIET JUNIOR COLLEGE
ROMEORVILLE CAMPUS EXPANSION
 1125 135th ST. ROMEORVILLE, IL 60446
 DKA PROJECT NO: 14-005

WALL FINISH TYPES:

TYPE	DESCRIPTION	MANUFACTURER	NAME/COLOR
EPXT	EPOXY PAINT	SEE SPEC	WHITE
FRP	FIBER REINFORCED WALL PANELS	SEE SPEC	WHITE
P-1	GENERAL PAINT	SHERWIN WILLIAMS	SW7004 SNOWBOUND
P-2	CEILING WHITE PAINT	BENJAMIN MOORE	TBD
P-3	LT GRAY PAINT	BENJAMIN MOORE	1605 WINTER SOLISTICE
P-4	YELLOW ACCENT PAINT	BENJAMIN MOORE	297 GOLDEN HONEY
P-5	BLUE ACCENT PAINT	BENJAMIN MOORE	840 KENSINGTON BLUE
P-6	BLACK ACCENT PAINT	SHERWIN WILLIAMS	SW6091 BLACK MAGIC
P-7	ORANGE ACCENT PAINT	ICI	50YR 23/365 AMBER COAST
P-8	LIGHT GREY PAINT	BENJAMIN MOORE	1604 SILVERY MOON
P-9	CEILING TAPE PAINT	BENJAMIN MOORE	1005 HAZEL WOOD
P-10	MEDIUM GREY PAINT	BENJAMIN MOORE	2121-20 STEEL WOOL
P-11	LIGHT BRICK PAINT	BENJAMIN MOORE	1161 BIRCHWOOD
P-12	DARK BRICK PAINT	BENJAMIN MOORE	2112-30 STONE BROWN
P-13	TAN WOOD PAINT	BENJAMIN MOORE	1101 FENNEL SEED
P-14	CHARCOAL ACCENT PAINT	BENJAMIN MOORE	HC-166 KENDALL CHARCOAL
SS-4	SOLID SURFACE	MEGANITE	501 SAN RAFAEL
WC	VINYL WALLCOVERING	D.L. COUCH	RHYTHM OF THE STRIPE COLOR: 2VR5-01, 03, 05, 09, 11
WDP	WOOD VENEER PANEL	SEE SPEC	SEE INTERIOR ELEVATION FOR DETAIL - CLEAR MAPLE
WDS	WALL MOUNTED LINEAR WOOD SLAT SYSTEM	SEE SPEC	SEE INTERIOR ELEVATION FOR DETAIL - CLEAR MAPLE
WT-1	TOILET ROOM WALL TILE, BLUE GLASS MOSAIC	CROSSVILLE	GLASS BLOX G039, COLOR: AMETHYST, SIZE: 1X1
WT-2	TOILET ROOM WALL TILE, LIGHT TAN	CROSSVILLE	COLOR BLOX, COLOR: SANDBOX, SIZE: 12X4
WT-3	TOILET ROOM WALL TILE, DARK TAN	CROSSVILLE	COLOR BLOX, COLOR: ROASTED MARSHMALLOW, SIZE: 12X4
WT-4	RECTANGULAR WALL TILE, DARK BLUE	DALTILE	COLOR WAVE, SIZE: 3X6, COLOR: TWILIGHT BLUE
WT-5	RECTANGULAR WALL TILE, CHARCOAL	VIRGINIA TILE	CAESAR ONE, COLOR: TLE, CHARCOAL, SIZE: 12X24
WT-6	PATTERN WALL TILE	VIRGINIA TILE	CAESAR ONE, MIX DECO, SIZE: 12X12

WALL BASE TYPES:

TYPE	DESCRIPTION	MANUFACTURER	NAME/COLOR
EPKY	4" INTEGRAL RESINOUS EPOXY COVE BASE W/ DECORATIVE BROADCAST	SEE SPEC	DARK GREY CUSTOM BLEND
RB-1	4" H COVE RUBBER BASE	JOHNSONITE	21 PLATINUM
RB-2	2 1/2" H COVE RUBBER BASE	BURKE	840 CANARY
RB-3	4" H COVE RUBBER BASE	JOHNSONITE	63 BURNT LUMBER
RB-4	1 1/2" RB QUARTER ROUND	JOHNSONITE	21 PLATINUM
RB-5	2 1/2" H COVE RUBBER BASE	JOHNSONITE	21 PLATINUM
RB-6	4" H COVE RUBBER BASE	JOHNSONITE	460 COTTON
RB-7	4" H STRAIGHT RB BASE	JOHNSONITE	63 BURNT LUMBER
RB-8	4" H COVE RUBBER BASE	JOHNSONITE	262 DRIZZLE
RB-9	4" H STRAIGHT RB BASE	JOHNSONITE	21 PLATINUM
RB-10	4" H COVE RUBBER BASE	JOHNSONITE	465 SEAFARER
RB-11	4" H STRAIGHT RB BASE	JOHNSONITE	465 SEAFARER
RB-12	4" H COVE RUBBER BASE	JOHNSONITE	165 SQUASHED
RB-13	4" H STRAIGHT RB BASE	JOHNSONITE	165 SQUASHED
SS	4" H STAINLESS STEEL COVE BASE	SEE SPEC	
UCB	6" H TROWELED CEMENTITIOUS URETHANE INTEGRAL BASE	SEE SPEC	CUSTOM BLEND

FLOOR FINISH TYPES:

TYPE	DESCRIPTION	MANUFACTURER	NAME/COLOR
CPT-1	CARPET TILE	INTERFACE	SL930, COLOR: GRAPHITE FADE
CPT-2	CARPET TILE	INTERFACE	HARMONIZE, COLOR: IRON
CPT-3	CARPET TILE	INTERFACE	TECTONICS, COLOR: BINARY
CPT-4	CARPET TILE	INTERFACE	ON BOARD, COLOR: EBONY
CPT-5	CARPET TILE	INTERFACE	MONOCHROME, COLOR: FIREBRICK
EPKY-1	RESINOUS EPOXY FLOOR W/ DECORATIVE BROADCAST	SEE SPEC	MEDIUM GRAY CUSTOM BLEND
EPKY-2	RESINOUS EPOXY FLOOR W/ DECORATIVE BROADCAST	SEE SPEC	DARK GRAY CUSTOM BLEND
RST	RUBBER STAIR TREAD	ROPPE	SAFTCORK Z100
RT	RUBBER TILE	ROPPE	SAFTCORK Z100
T-1	TOILET ROOM PORCELAIN TILE, SQUARE	CROSSVILLE	COLOR BLOX, COLOR: I SEE THE MOON, SIZE: 18X18
T-2	SERVERY PORCELAIN TILE, SQUARE	CERAMIC TECHNICS	SIENNA WOOD, COLOR: OAK, SIZE: 6X6
T-3	SERVERY PORCELAIN TILE, SQUARE	CERAMIC TECHNICS	PAVIMENTI STONE, SOAPSTONE, SIZE: 18X18
UC	TROWELED URETHANE CEMENTITIOUS FLOORING	SEE SPEC	CUSTOM BLEND
VCT-1	LT GREY VCT, 12X24	ARMSTRONG	RAFFIA, COLOR: SNOWDRIFT
VCT-2	MD GREY VCT, 12X24	ARMSTRONG	RAFFIA, COLOR: PLATINUM
VCT-3	CHARCOAL VCT, 12X24	ARMSTRONG	STRATIONS, COLOR: MONDRIAN
VCT-4	YELLOW VCT, 12X24	ARMSTRONG	RAFFIA, COLOR: BUTTERCUP
VCT-5	WHITE VCT, 12X24	ARMSTRONG	STRATIONS, COLOR: ATMOSPHERE
VCT-6	WHITE VCT, 12X12	ARMSTRONG	MIGRATIONS, COLOR: ICE WHITE
VCT-7	GREY VCT, 12X12	ARMSTRONG	MIGRATIONS, COLOR: GLACIER GREY
WLKF	WALKOFF CARPET TILE	INTERFACE	FLOOR, COLOR: ANTHRACITE

FINISH PLAN REFERENCED NOTES:

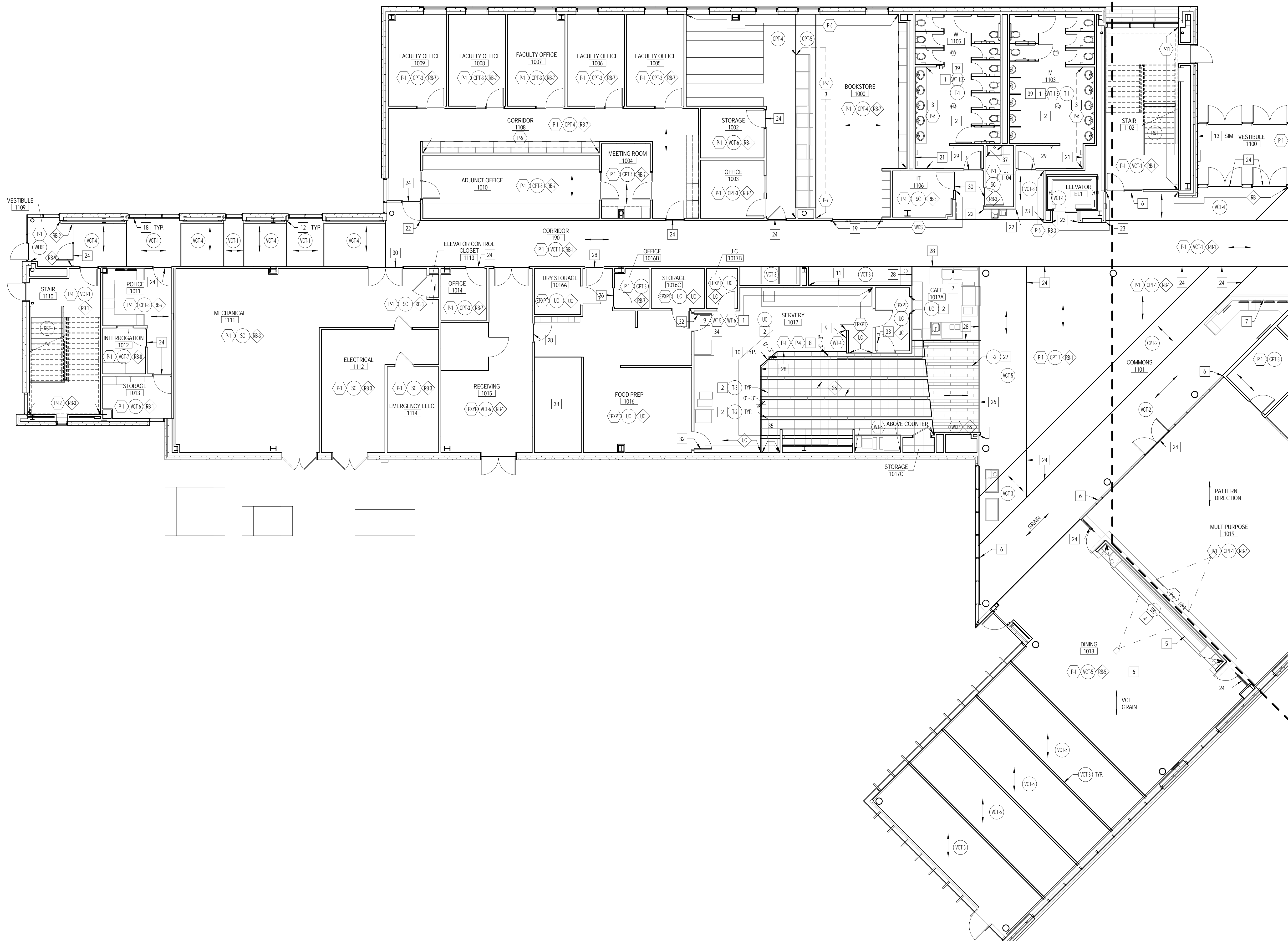
- SEE ELEVATIONS FOR WALL TILE EXTENTS AND PATTERNS
- PROVIDE SCHLUTER DILEX-EHK AT ALL FLOOR PERIMETER BETWEEN FLOOR AND WALL TILE AND VERTICAL INSIDE TILE CORNERS. PROVIDE SCHLUTER JOLLY AT ALL OUTSIDE TILE CORNERS
- DASHED LINE INDICATES PAINT ON SOFFIT ABOVE
- SEE ELEVATION FOR PATTERN/COLOR LAYOUT
- INSTALL RB-1 TO INSIDE FACE OF MILLWORK TOE KICK
- REFER TO DETAIL 2A11.01 FOR TYPICAL BASE CONDITION WHERE VCT MEETS INTERIOR AND EXTERIOR STOREFRONT
- PROVIDE RB-6 @ INSIDE PERIMETERS OF MILLWORK
- SEE ELEVATIONS FOR PAINT EXTENTS/LOCATIONS
- TROWEL UC TO STAINLESS STEEL INSIDE CORNER COVE TRIM @ FLOOR
- TROWEL UC FLOORING GRADUALLY AS REQUIRED SO THAT IT FLUSH WITH FACE OF ADJ. FLOOR TILE
- STOP TILE 4" ABOVE FINISH FLOOR @ LOCATION WHERE IT MEETS VCT TO ALLOW FOR INSTALLATION OF RUBBER BASE
- INSTALL RB-4 @ BRICK AND EXTERIOR FRAME LOCATION, SCRIBE RB-4 TO RB-1 @ GYP. RD. PARTITION LOCATION
- DO NOT INSTALL BASE ON BRICK @ PIERS
- PAINT SOFFIT AND SOFFIT FACE ABOVE P-7
- PAINT SOFFIT AND SOFFIT FACE ABOVE P-5
- FROM FINISH FLOOR TO 4" A.F.F.
- PROVIDE A HORIZONTAL WALL REVEAL @ 3" O.F.F.
- INSTALL RB-4 @ ALL EXTERIOR FRAME LOCATIONS WHERE VCT ABUTTS FRAME
- INSTALL RB-4 @ ALL EXTERIOR FRAME LOCATIONS WHERE COVE MEETS STRAIGHT BASE @ OUTSIDE CORNER. PAINT TO MATCH BASE
- ALSO VCT PATTERN WITH OUTSIDE OF EXTERIOR WINDOW FRAMES (TYP)
- REFER TO ELEVATIONS FOR EXTENTS OF SS-4 BELOW HAND DRIVERS
- PROVIDE CC-1 FROM 4" A.F.F. TO CEILING ABOVE
- PROVIDE CC-2 FROM 4" A.F.F. TO CEILING ABOVE
- PROVIDE CEMENTITIOUS UNDERLAYMENT AS REQUIRED UNDER VCT FLOORING TO GRADUALLY RAMP UP AND BRING FACE OF VCT FLUSH W/ FACE OF ADJ. CARPET.
- PROVIDE TRANS-2 BETWEEN FLOORING TYPES
- PROVIDE TRANS-1 BETWEEN FLOORING TYPES
- PROVIDE TRANS-2 BETWEEN FLOORING TYPES
- MODIFY DEPTH OF MORTAR TO ENSURE FACE OF TILE IS FLUSH WITH ADJACENT VCT FLOOR FINISH
- ADJUST THICKNESS OF URETHANE FLOORING AS REQUIRED TO BRING FACE OF FLOOR FLUSH WITH ADJACENT FACE OF VCT AND TILE. PROVIDE TRANS-2 BETWEEN TWO MATERIALS
- PROVIDE TRANS-3 @ FLOORING TYPE TRANSITION
- PROVIDE TRANS-4 @ FLOORING TYPE TRANSITION
- ADJUST THICKNESS OF EPOXY FLOORING AS NECESSARY @ FLOORING TRANSITION TO ENSURE ADJACENT FLOORING TYPES ARE FLUSH. PROVIDE TRANS-2 BETWEEN FLOORING TYPES
- PAINT H.M. DOORFRAME P-14
- PAINT H.M. DOORFRAME P-5
- HOLLOW METAL TILE @ OFF FINISHED FLOOR TO ALLOW FOR INSTALLATION OF BASE BELOW
- PROVIDE 6" H SS COVE BASE AT THIS LOCATION
- PROVIDE RB-4 AT ALL FREESTANDING CASEWORK
- INSTALL FRP FROM 4" A.F.F. TO 3" O.F.F. AND EXTEND PANELS 3'-0" IN EACH DIRECTION FROM CORNER OF WALL BEHIND SINK
- NO FLOOR, NO BASE (BARE CONCRETE FLOOR, COOLER LOCATION)
- INSTALL TILE HORIZONTALLY IN HALF OFFSET PATTERN

FINISH PLAN SYMBOLS LEGEND:

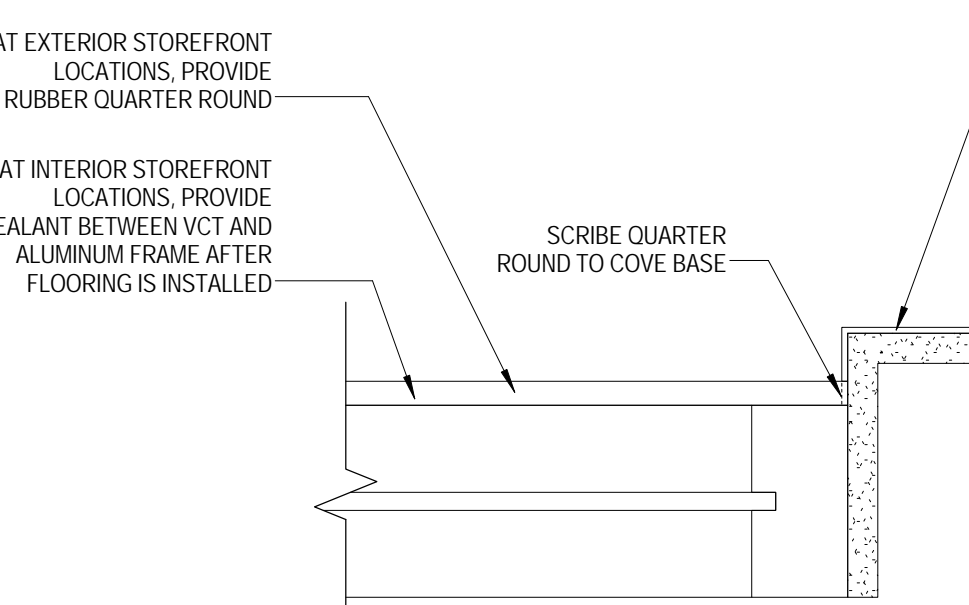


FINISH PLAN GENERAL NOTES:

- PAINT ALL EXPOSED CONDUIT, DUCTWORK, PIPING, ETC. IN ALL FINISHED SPACES. REFER TO INTERIOR FINISH PLANS AND REFLECTED CEILING PLANS FOR CLARIFICATIONS
- PAINT ALL EXPOSED METAL ON EXTERIOR INCLUDING, BUT NOT LIMITED TO, CONDUIT, PIPING, FLASHING, MECHANICAL FLUES AND DUCTS, AND HOLLOW METAL FRAMES AND DOORS
- PROVIDE CEMENTITIOUS SELF-LEVELING UNDERLAYMENT AS REQUIRED TO ENSURE LEVELNESS OF ALL FLOORS AS REQUIRED PER SPECIFICATIONS
- ALL FINISHES ARE MONUMENTAL PER ROOM UNLESS NOTED OTHERWISE
- HOLLOW METAL DOORS AND FRAMES TO BE PAINTED P-3 UNLESS NOTED OTHERWISE
- AT ALL LOCATIONS WHERE CASEWORK IS TO BE INSTALLED, THE SUBSEQUENT BASE TYPE SPECIFIED FOR EACH ROOM SHALL BE INSTALLED OVER CASEWORK TOE KICKS UNLESS NOTED OTHERWISE. REFER TO FLOOR PLANS FOR CASEWORK LOCATIONS
- PAINT ALL GYP. BD. CEILINGS P-2 UNLESS NOTED OTHERWISE
- ALL CARPET TILE TO BE INSTALLED BRICK PATTERN UNLESS SPECIFIED OTHERWISE
- ALL 12X24 FORMAT VCT TO BE INSTALLED BRICK PATTERN UNL.O.
- ALL EXPOSED METAL COLUMNS TO BE PAINTED P-3 UNL.O.
- PAINT ALL METAL STAIR COMPONENTS P-3 UNL.O.
- FOR ALL WALL CONDITIONS WHERE GYP. BD. RETURNS BACK TO ALUMINUM STOREFRONT AND COVE BASE IS SPECIFIED, REFER TO DETAIL 2A11.01



1 LEVEL 1 FINISH PLAN WEST
 1/8" = 1'-0"



2 TYPICAL BASE CONDITION @ STOREFRONT TO VCT
 3" = 1'-0"

KEY PLAN:

SHEET STATUS: 9/21/15
ISSUED FOR CONSTRUCTION

NO.	DESCRIPTION:	DATE:

SHEET TITLE:
LEVEL 1 FINISH PLAN - WEST

SHEET NUMBER:
A11.01



ARCHITECT OF RECORD
DEMIONA KEMPER ARCHITECTS
 125 N. HALSTED STREET, SUITE 301
 CHICAGO, IL 60661
 P: 312.496.0000

STRUCTURAL AND MEP/PFP ENGINEERING
KJWW ENGINEERING CONSULTANTS
 1100 WARRENVILLE RD. SUITE 200
 400W NAPERVILLE, IL 60563
 P: 630.527.2320

FOOD SERVICE CONSULTANT
CINI LITTLE INTERNATIONAL, INC.
 200 E. HOWARD AVE. SUITE 212
 DES PLAINES, IL 60018
 P: 847.298.0088

CONSTRUCTION MANAGER
JOLIET JUNIOR COLLEGE
 1215 HOOBOLT RD.
 JOLIET, IL 60431
 P: 815.280.2212

JOLIET JUNIOR COLLEGE
ROMEORVILLE CAMPUS EXPANSION
 1125 135th ST. ROMEORVILLE, IL 60446
 DKA PROJECT NO: 14-005

KEY PLAN:

SHEET STATUS: 9/21/15

ISSUED FOR CONSTRUCTION

NO. DESCRIPTION DATE

SHEET TITLE:
LEVEL 2 FINISH PLAN - WEST

SHEET NUMBER:

A11.03

9/18/2015 9:39:35 AM

WALL FINISH TYPES:

TYPE	DESCRIPTION	MANUFACTURER	NAME/COLOR
EPXPT	EPOXY PAINT	SEE SPEC	WHITE
FRP	FIBER REINFORCED WALL PANELS	SEE SPEC	WHITE
P-1	GENERAL PAINT	SHERWIN WILLIAMS	SW7004 SNOWBOUND
P-2	CEILING WHITE PAINT	BENJAMIN MOORE	TBD
P-3	LT. GRAY PAINT	BENJAMIN MOORE	1605 WINTER SOLISTICE
P-4	YELLOW ACCENT PAINT	BENJAMIN MOORE	297 GOLDEN HONEY
P-5	BLUE ACCENT PAINT	BENJAMIN MOORE	840 KENSINGTON BLUE
P-6	BLACK ACCENT PAINT	SHERWIN WILLIAMS	SW991 BLACK MAGIC
P-7	ORANGE ACCENT PAINT	JCI	50YR 2306S AMBER COAST
P-8	LIGHT GREY PAINT II	BENJAMIN MOORE	1604 SILVERLY MOON
P-9	CEILING TALPE PAINT	BENJAMIN MOORE	1006 HAZLEWOOD
P-10	MEDIUM GRAY PAINT	BENJAMIN MOORE	2121 20 STEEL WOOL
P-11	LIGHT BRICK PAINT	BENJAMIN MOORE	1161 BRICKWOOD
P-12	DARK BRICK PAINT	BENJAMIN MOORE	2112 30 STONE BROWN
P-13	TAN WOOD PAINT	BENJAMIN MOORE	1101 FENNEL SEED
P-14	CHARCOAL ACCENT PAINT	BENJAMIN MOORE	HC 166 KENDALL CHARCOAL
SS-4	SOLID SURFACE	MEGANITE	501 SAN RAFAEL
WC	VINYL WALLCOVERING	D.L. COUCH	RHYTHM OF THE STRIPE, COLOR: 2902-D1 03, 06, 09, 11
WDP	WOOD VENEER PANEL	SEE SPEC	SEE INTERIOR ELEVATION FOR DETAIL - CLEAR MAPLE
WDS	WALL MOUNTED LINEAR WOOD SLAT SYSTEM	SEE SPEC	SEE INTERIOR ELEVATION FOR DETAIL - CLEAR MAPLE
WT-1	TOILET ROOM WALL TILE, BLUE GLASS MOSAIC	CROSSVILLE	GLASS BLDX G09, COLOR: AMETHYST, SIZE: 1X1
WT-2	TOILET ROOM WALL TILE, LIGHT TAN	CROSSVILLE	COLOR BLDX, COLOR: SANDBOX, SIZE: 12X24
WT-3	TOILET ROOM WALL TILE, DARK TAN	CROSSVILLE	COLOR BLDX, COLOR: ROASTED MARSHMALLOW, SIZE: 12X24
WT-4	RECTANGULAR WALL TILE, TWILIGHT BLUE	DALTILE	COLOR WAVE, SIZE: 3X6, COLOR: TWILIGHT BLUE
WT-5	RECTANGULAR WALL TILE, CHARCOAL	VIRGINIA TILE	CAESAR, ONE, COLOR: GROUND, SIZE: 12X24
WT-6	PATTERN WALL TILE	VIRGINIA TILE	CAESAR, ONE, MIX DECO, SIZE: 12X12

WALL BASE TYPES:

TYPE	DESCRIPTION	MANUFACTURER	NAME/COLOR
EPXY	4" INTEGRAL RESINOUS EPOXY COVE BASE W/ DECORATIVE BROADCAST	SEE SPEC	DARK GREY CUSTOM BLEND
RB-1	4" H COVE RUBBER BASE	JOHNSONITE	21 PLATINUM
RB-2	2.5" H COVE RUBBER BASE	BURKE	840 CANARY
RB-3	4" H COVE RUBBER BASE	JOHNSONITE	63 BURNT LUMBER
RB-4	1/2" RB QUARTER ROUND	JOHNSONITE	21 PLATINUM
RB-5	2.5" H COVE RUBBER BASE	JOHNSONITE	21 PLATINUM
RB-6	4" H COVE RUBBER BASE	JOHNSONITE	460 COTTON
RB-7	4" H STRAIGHT RB BASE	JOHNSONITE	63 BURNT LUMBER
RB-8	4" H COVE RUBBER BASE	JOHNSONITE	262 DRIZZLE
RB-9	4" H STRAIGHT RB BASE	JOHNSONITE	21 PLATINUM
RB-10	4" H COVE RUBBER BASE	JOHNSONITE	465 SEAFARER
RB-11	4" H STRAIGHT RB BASE	JOHNSONITE	465 SEAFARER
RB-12	4" H COVE RUBBER BASE	JOHNSONITE	165 SQUASHED
RB-13	4" H STRAIGHT RB BASE	JOHNSONITE	165 SQUASHED
SS	4" H STAINLESS STEEL COVE BASE	SEE SPEC	
UCB	4" H TROWELED CEMENTITIOUS URETHANE INTEGRAL BASE	SEE SPEC	CUSTOM BLEND

FLOOR FINISH TYPES:

TYPE	DESCRIPTION	MANUFACTURER	NAME/COLOR
CPT-1	CARPET TILE	INTERFACE	SL308, COLOR: GRAPHITE FADE
CPT-2	CARPET TILE	INTERFACE	HARMONIZE, COLOR: IRON
CPT-3	CARPET TILE	INTERFACE	TECTONICS, COLOR: BINARY
CPT-4	CARPET TILE	INTERFACE	ON BOARD, COLOR: EBONY
CPT-5	CARPET TILE	INTERFACE	MONOCHROME, COLOR: FIREBRICK
EPXY-1	RESINOUS EPOXY FLOOR W/ DECORATIVE BROADCAST	SEE SPEC	MEDIUM GRAY CUSTOM BLEND
EPXY-2	RESINOUS EPOXY FLOOR W/ DECORATIVE BROADCAST	SEE SPEC	DARK GRAY CUSTOM BLEND
RST	RUBBER STAIR TREAD	ROPPE	SAFTCORK Z100
RT	RUBBER TILE	ROPPE	SAFTCORK Z100
T-1	TOILET ROOM PORCELAIN TILE, SQUARE	CROSSVILLE	COLOR BLDX, COLOR: 1 SEE THE MOON, SIZE: 18X18
T-2	SERVERY PORCELAIN TILE, 6X6	CERAMIC TECHNICS	SIENNA WOOD, COLOR: OAK, SIZE: 6X6
T-3	SERVERY PORCELAIN TILE, SQUARE	CERAMIC TECHNICS	PAVIMENT STONE, COLOR: SAPSTONE, SIZE: 18X18
UC	TROWELED URETHANE CEMENTITIOUS FLOORING	SEE SPEC	CUSTOM BLEND
VCT-1	LT GREY VCT, 12X24	ARMSTRONG	RAFFIA, COLOR: SNOWDRIFT
VCT-2	MD GREY VCT, 12X24	ARMSTRONG	RAFFIA, COLOR: PLATINUM
VCT-3	CHARCOAL VCT, 12X24	ARMSTRONG	STRATIONS, COLOR: MIDNIGHT
VCT-4	YELLOW VCT, 12X24	ARMSTRONG	RAFFIA, COLOR: BUTTERFLY
VCT-5	WHITE VCT, 12X24	ARMSTRONG	STRATIONS, COLOR: ATMOSPHERE
VCT-6	WHITE VCT, 12X12	ARMSTRONG	MIGRATIONS, COLOR: ICE WHITE
VCT-7	GREY VCT, 12X12	ARMSTRONG	MIGRATIONS, COLOR: GLACIER GREY
WLKF	WALKOFF CARPET TILE	INTERFACE	FLOOR, COLOR: ANTHRACITE

FINISH PLAN REFERENCED NOTES:

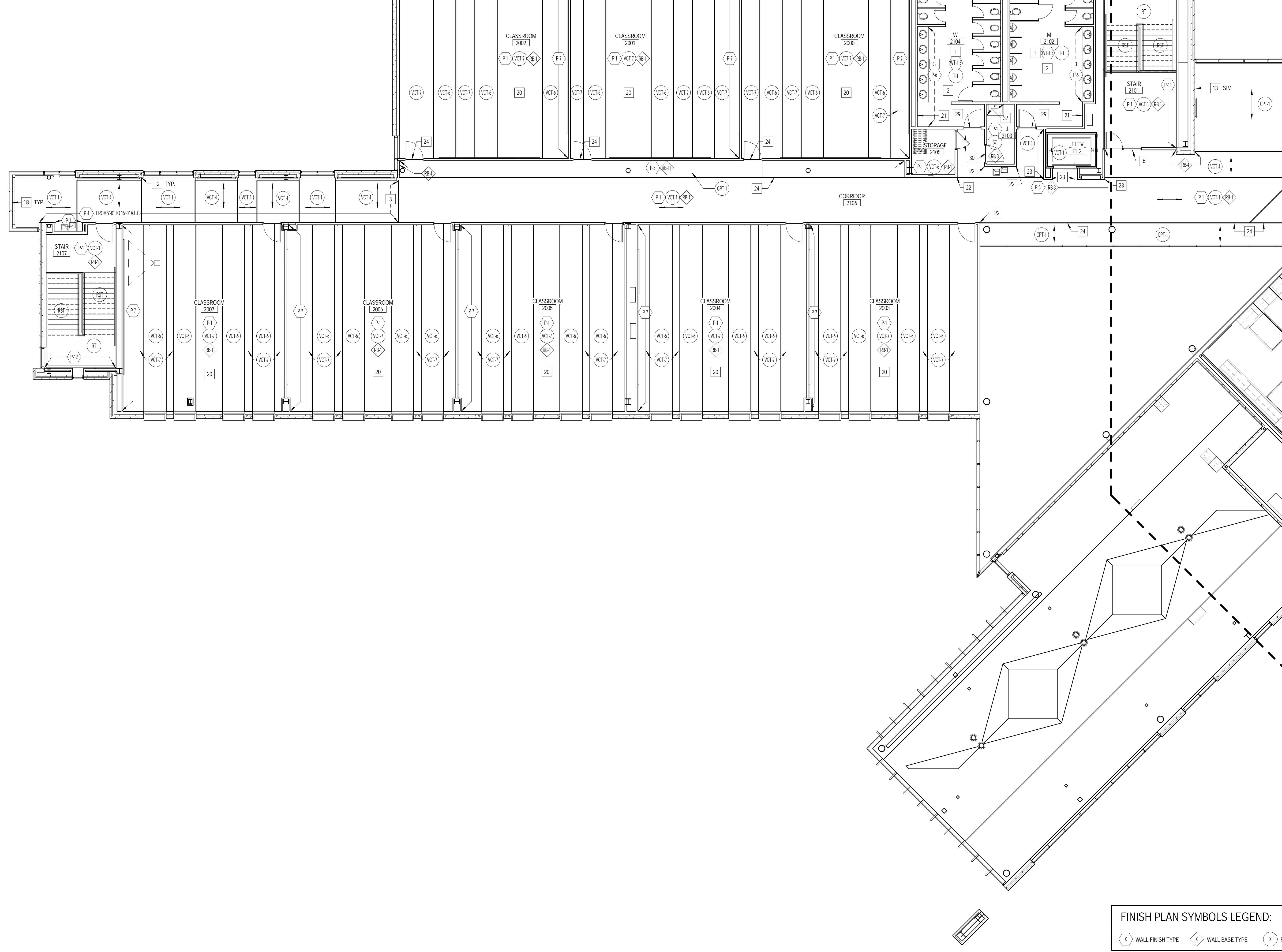
- SEE ELEVATIONS FOR WALL TILE EXTENTS AND PATTERNS
- PROVIDE SCHLUTTER BULK-HEAD AT ALL FLOOR PERIMETER BETWEEN FLOOR AND WALL TILE AND VERTICAL INSIDE TILE CORNERS. PROVIDE SCHLUTTER JOPLY AT WALL TILE CORNERS
- DASHED LINE INDICATES PAINT ON SOFFIT ABOVE
- SEE ELEVATION FOR PATTERNCOLOR LAYOUT
- INSTALL RB-3 TO INSIDE FACE OF MILLWORK TOE KICK
- REFER TO DETAIL 2A11.01 FOR TYPICAL BASE CONDITION WHERE VCT MEETS INTERIOR AND EXTERIOR STOREFRONT
- PROVIDE RB-6 @ INSIDE PERIMETERS OF MILLWORK
- SEE ELEVATIONS FOR PAINT EXTENTS LOCATIONS
- PROVIDE UC TO STAINLESS STEEL INSIDE CORNER COVE TRIM @ FLOOR
- TROWEL UC FLOORING GRADUALLY AS REQUIRED SO THAT IT IS FLUSH WITH FACE OF ADJ. FLOOR TILE
- STOP TILE 4" ABOVE FINISH FLOOR @ LOCATION WHERE IT MEETS VCT TO ALLOW FOR INSTALLATION OF RUBBER BASE
- INSTALL RB-4 @ BRICK AND EXTERIOR FRAME LOCATION. SCRIBE RB-4 TO RB-1 @ CYP. @ PARTITION LOCATION
- DO NOT INSTALL BASE ON BRICK @ PIERS
- PAINT SOFFIT AND SOFFIT FACE ABOVE P-3
- PAINT SOFFIT AND SOFFIT FACE ABOVE P-5
- PROVIDE A HORIZONTAL WALL REVEAL @ 3'-0" A.F.F.
- INSTALL RB-4 @ ALL EXTERIOR FRAME LOCATIONS WHERE VCT BUTTS FRAME BASE @ OUTSIDE CORNER. PAINT TO MATCH BASE
- ALIGN VCT PATTERN WITH OUTSIDE OF EXTERIOR WINDOW FRAMES (TYP.)
- PROVIDE PAINTED 1/2" X 1/2" SQUARE WOOD PLINTH WHERE COVE MEETS STRAIGHT BASE @ OUTSIDE CORNER. PAINT TO MATCH BASE
- REFER TO ELEVATIONS FOR EXTENTS OF SS-4 BELOW HAND DRYERS
- PROVIDE CG-1 FROM 4" A.F.F. TO CEILING ABOVE
- PROVIDE CG-2 FROM 4" A.F.F. TO CEILING ABOVE
- PROVIDE CEMENTITIOUS UNDERLAYMENT AS REQUIRED UNDER VCT FLOORING TO GRADUALLY RAMP UP AND BRING FACE OF VCT FLUSH W/ FACE OF ADJ. CARPET.
- PROVIDE TRANS-2 BETWEEN FLOORING TYPES
- PROVIDE TRANS-1 BETWEEN FLOORING TYPES
- PROVIDE TRANS-2 BETWEEN FLOORING TYPES
- MOODY DEPTH OF MORTAR TO ENSURE FACE OF TILE IS FLUSH WITH ADJACENT VCT FLOOR FINISH
- ADJUST THICKNESS OF URETHANE FLOORING AS REQUIRED TO BRING FACE OF FLOOR FLUSH WITH ADJACENT FACE OF VCT AND TILE. PROVIDE TRANS-2 BETWEEN TWO FLOOR FINISH
- PROVIDE TRANS-3 @ FLOORING TYPE TRANSITION
- PROVIDE TRANS-4 @ FLOORING TYPE TRANSITION
- ADJUST THICKNESS OF EPOXY FLOORING AS NECESSARY @ FLOORING TRANSITION TO ENSURE ADJACENT FLOORING TYPES ARE FLUSH. PROVIDE TRANS-2 BETWEEN FLOORING TYPES
- PAINT H.M. DOORFRAME P-14
- PAINT H.M. DOORFRAME P-5
- HOLD WALL TILE 4" OFF FINISHED FLOOR TO ALLOW FOR INSTALLATION OF BASE BELOW
- PROVIDE PHS-1 COVE WALL BASE AT THIS LOCATION
- PROVIDE RB-3 AT ALL FREESTANDING CASEWORK
- INSTALL FRP FROM 0'-4" A.F.F. TO 5'-0" A.F.F. AND EXTEND PANELS 3'-0" IN EACH DIRECTION FROM CORNER OF WALL BEHIND SHK.
- NO FLOOR, NO BASE (BARE CONCRETE FLOOR), COOLER LOCATION
- INSTALL TILE HORIZONTALLY IN HALF-OFFSET PATTERN

FINISH PLAN SYMBOLS LEGEND:

- WALL FINISH TYPE
- WALL BASE TYPE
- FLOOR FINISH TYPE

FINISH PLAN GENERAL NOTES:

- PAINT ALL EXPOSED CONDUIT, DUCTWORK, PIPING, ETC. IN ALL FINISHED SPACES. REFER TO INTERIOR FINISH PLANS AND REFLECTED CEILING PLANS FOR CLARIFICATIONS.
- PAINT ALL EXPOSED METAL ON EXTERIOR INCLUDING, BUT NOT LIMITED TO: CONDUIT, PIPING, FLASHING, MECHANICAL FLUES AND DUCTS, AND HOLLOW METAL FRAMES AND DOORS.
- PROVIDE CEMENTITIOUS SELF-LEVELING UNDERLAYMENT AS REQUIRED TO ENSURE LEVELNESS OF ALL FLOORS AS REQUIRED PER SPECIFICATIONS
- ALL FINISHES ARE MONUMENTAL PER ROOM UNLESS NOTED OTHERWISE.
- HOLLOW METAL DOORS AND FRAMES TO BE PAINTED P-3 UNLESS NOTED OTHERWISE.
- AT ALL LOCATIONS WHERE CASEWORK IS TO BE INSTALLED, THE SUBSEQUENT BASE TYPE SPECIFIED FOR EACH ROOM SHALL BE INSTALLED OVER CASEWORK TOE KICKS UNLESS NOTED OTHERWISE. REFER TO FLOORPLANS FOR CASEWORK LOCATIONS.
- PAINT ALL GYP. BD. CEILINGS P-2 UNLESS NOTED OTHERWISE.
- ALL CARPET TILE TO BE INSTALLED BRICK PATTERN UNLESS SPECIFIED OTHERWISE.
- ALL 12X24 FORMAT VCT TO BE INSTALLED BRICK PATTERN U.N.O.
- ALL EXPOSED METAL COLUMNS TO BE PAINTED P-3 U.N.O.
- PAINT ALL METAL STAIR COMPONENTS P-3 U.N.O.
- FOR ALL WALL CONDITIONS WHERE GYP. BD. RETURNS BACK TO ALLUMINUM STOREFRONT AND COVE BASE IS SPECIFIED, REFER TO DETAIL 2A11.01



1 LEVEL 2 FINISH PLAN WEST
 1/8" = 1'-0"



ARCHITECT OF RECORD
DEMONICA KEMPER ARCHITECTS
 125 N. HALSTED STREET, SUITE 301
 CHICAGO, IL 60661
 P: 312.496.0000

STRUCTURAL AND MEP/PF ENGINEERING

KJWW ENGINEERING CONSULTANTS
 1100 WARRENVILLE RD. SUITE 400
 400W NAPERVILLE, IL 60563
 P: 630.527.2320

FOOD SERVICE CONSULTANT

CINI LITTLE INTERNATIONAL, INC.
 200 E. HOWARD AVE. SUITE 212
 DES PLAINES, IL 60018
 P: 847.298.0088

CONSTRUCTION MANAGER

JOLIET JUNIOR COLLEGE
 1215 HOOBOLT RD.
 JOLIET, IL 60431
 P: 815.280.2212

**JOLIET JUNIOR COLLEGE
 ROMEOVILLE CAMPUS EXPANSION**
 1125 135th ST. ROMEOVILLE, IL 60446
 DKA PROJECT NO: 14-005

KEY PLAN:

SHEET STATUS: 9/21/15

**ISSUED FOR
 CONSTRUCTION**

NO. DESCRIPTION DATE:

SHEET TITLE:
**LEVEL 2 FINISH PLAN
 - EAST**

SHEET NUMBER:

A11.04

9/18/2015 9:39:42 AM

WALL FINISH TYPES:

TYPE	DESCRIPTION	MANUFACTURER	NAME/COLOR
EPXPT	EPOXY PAINT	SEE SPEC	WHITE
FRP	FIBER REINFORCED WALL PANELS	SEE SPEC	WHITE
P-1	GENERAL PAINT	SHERWIN WILLIAMS	SW7004 SNOWBOUND
P-2	CEILING WHITE PAINT	BENJAMIN MOORE	TBD
P-3	LT. GRAY PAINT	BENJAMIN MOORE	1605 WINTER SOLSTICE
P-4	YELLOW ACCENT PAINT	BENJAMIN MOORE	297 GOLDEN HONEY
P-5	BLUE ACCENT PAINT	BENJAMIN MOORE	840 KENSINGTON BLUE
P-6	BLACK ACCENT PAINT	SHERWIN WILLIAMS	SW6991 BLACK MAGIC
P-7	ORANGE ACCENT PAINT	SEE SPEC	5093 2366 AMBER COAST
P-8	LIGHT GREY PAINT	BENJAMIN MOORE	1604 SILVERY MOON
P-9	CEILING TALUPE PAINT	BENJAMIN MOORE	1005 HALEYWOOD
P-10	MEDIUM GREY PAINT	BENJAMIN MOORE	2121 20 STEEL WOOL
P-11	LIGHT BRICK PAINT	BENJAMIN MOORE	1161 BIRCHWOOD
P-12	DARK BRICK PAINT	BENJAMIN MOORE	2112 30 STONE BROWN
P-13	TAN WOOD PAINT	BENJAMIN MOORE	1101 FENNEL SEED
P-14	CHARCOAL ACCENT PAINT	BENJAMIN MOORE	HC-166 KENDALL CHARCOAL
SS-4	SOLID SURFACE	MEGANITE	501 SAN RAFAEL
WC	VINYL WALLCOVERING	D.L. COUCH	RHYTHM OF THE STRIPE. COLOR: 29RS-01, 03, 05, 09, 11. SEE INTERIOR ELEVATION FOR DETAIL - CLEAR MAPLE
WDP	WOOD VENEER PANEL	SEE SPEC	SEE INTERIOR ELEVATION FOR DETAIL - CLEAR MAPLE
WDS	WALL MOUNTED LINEAR WOOD SLAT SYSTEM	SEE SPEC	SEE INTERIOR ELEVATION FOR DETAIL - CLEAR MAPLE
WT-1	TOILET ROOM WALL TILE. BLUE GLASS MOSAIC	CROSSVILLE	GLASS BLOX 0309. COLOR: AMETHYST. SIZE: 1X1
WT-2	TOILET ROOM WALL TILE. LIGHT TAN	CROSSVILLE	COLOR BLOX. COLOR: SANDBOX. SIZE: 12X24
WT-3	TOILET ROOM WALL TILE. DARK TAN	CROSSVILLE	COLOR BLOX. COLOR: ROASTED MARSHMALLOW. SIZE: 12X24
WT-4	RECTANGULAR WALL TILE. DARK BLUE	DALTILE	COLOR WAVE. SIZE: 3X6. COLOR: TWILIGHT BLUE
WT-5	RECTANGULAR WALL TILE. CHARCOAL	VIRGINIA TILE	CAESAR ONE. COLOR: GROUND. SIZE: 12X24
WT-6	PATTERN WALL TILE	VIRGINIA TILE	CAESAR ONE, IMX DECO. SIZE: 12X12

WALL BASE TYPES:

TYPE	DESCRIPTION	MANUFACTURER	NAME/COLOR
EPXY	4" INTEGRAL RESINOUS EPOXY COVE BASE W/ DECORATIVE BROADCAST	SEE SPEC	DARK GREY CUSTOM BLEND
RB-1	4" COVE RUBBER BASE	JOHNSONITE	21 PLATINUM
RB-2	2 1/2" COVE RUBBER BASE	BURKE	840 CANARY
RB-3	4" COVE RUBBER BASE	JOHNSONITE	63 BURNT LUMBER
RB-4	1/2" RB QUARTER ROUND	JOHNSONITE	21 PLATINUM
RB-5	2 1/2" COVE RUBBER BASE	JOHNSONITE	21 PLATINUM
RB-6	4" COVE RUBBER BASE	JOHNSONITE	460 COTTON
RB-7	4" STRAIGHT RB BASE	JOHNSONITE	63 BURNT LUMBER
RB-8	4" COVE RUBBER BASE	JOHNSONITE	262 DRIZZLE
RB-9	4" STRAIGHT RB BASE	JOHNSONITE	21 PLATINUM
RB-10	4" COVE RUBBER BASE	JOHNSONITE	465 SEAFARER
RB-11	4" STRAIGHT RB BASE	JOHNSONITE	465 SEAFARER
RB-12	4" COVE RUBBER BASE	JOHNSONITE	165 SQUASHED
RB-13	4" STRAIGHT RB BASE	JOHNSONITE	165 SQUASHED
SS	4" STAINLESS STEEL COVE BASE	SEE SPEC	
UCB	6" H TROWELED CEMENTITIOUS URETHANE INTEGRAL BASE	SEE SPEC	CUSTOM BLEND

FLOOR FINISH TYPES:

TYPE	DESCRIPTION	MANUFACTURER	NAME/COLOR
CPT-1	CARPET TILE	INTERFACE	SL930. COLOR: GRAPHITE FADE
CPT-2	CARPET TILE	INTERFACE	HARMONIC. COLOR: IRON
CPT-3	CARPET TILE	INTERFACE	TECHNICS. COLOR: BINARY
CPT-4	CARPET TILE	INTERFACE	ON BOARD. COLOR: EBONY
CPT-5	CARPET TILE	INTERFACE	MONOCHROME. COLOR: FIREBRICK
EPXY-1	RESINOUS EPOXY FLOOR W/ DECORATIVE BROADCAST	SEE SPEC	MEDIUM GRAY CUSTOM BLEND
EPXY-2	RESINOUS EPOXY FLOOR W/ DECORATIVE BROADCAST	SEE SPEC	DARK GRAY CUSTOM BLEND
RST	RUBBER STAIR TREAD	ROPPE	SAFTCORK 2100
RT	RUBBER TILE	ROPPE	SAFTCORK 2100
T-1	TOILET ROOM PORCELAIN TILE. SQUARE	CROSSVILLE	COLOR BLOX. COLOR: 1SEE THE MOON. SIZE: 18X18
T-2	SERVERY PORCELAIN TILE. 6X36	CERAMIC TECHNICS	SIENNA WOOD. COLOR: OAK. SIZE: 6X36
T-3	SERVERY PORCELAIN TILE. SQUARE	CERAMIC TECHNICS	PAVIMENTI STONE. SOAPSTONE. SIZE: 18X18
UC	TROWELED URETHANE CEMENTITIOUS FLOORING	SEE SPEC	CUSTOM BLEND
VCT-1	LT GREY VCT. 12X24	ARMSTRONG	RAFFIA. COLOR: SNOWDRIFT
VCT-2	MD GREY VCT. 12X24	ARMSTRONG	RAFFIA. COLOR: PLATINUM
VCT-3	CHARCOAL VCT. 12X24	ARMSTRONG	STRIATIONS. COLOR: MIDNIGHT
VCT-4	YELLOW VCT. 12X24	ARMSTRONG	RAFFIA. COLOR: BUTTERCUP
VCT-5	WHITE VCT. 12X24	ARMSTRONG	STRIATIONS. COLOR: ATMOSPHERE
VCT-6	WHITE VCT. 12X12	ARMSTRONG	MIGRATIONS. COLOR: ICE WHITE
VCT-7	GREY VCT. 12X12	ARMSTRONG	MIGRATIONS. COLOR: GLACIER GREY
WLKF	WALKOFF CARPET TILE	INTERFACE	FLOOR. COLOR: ANTHRACITE

FINISH PLAN REFERENCED NOTES:

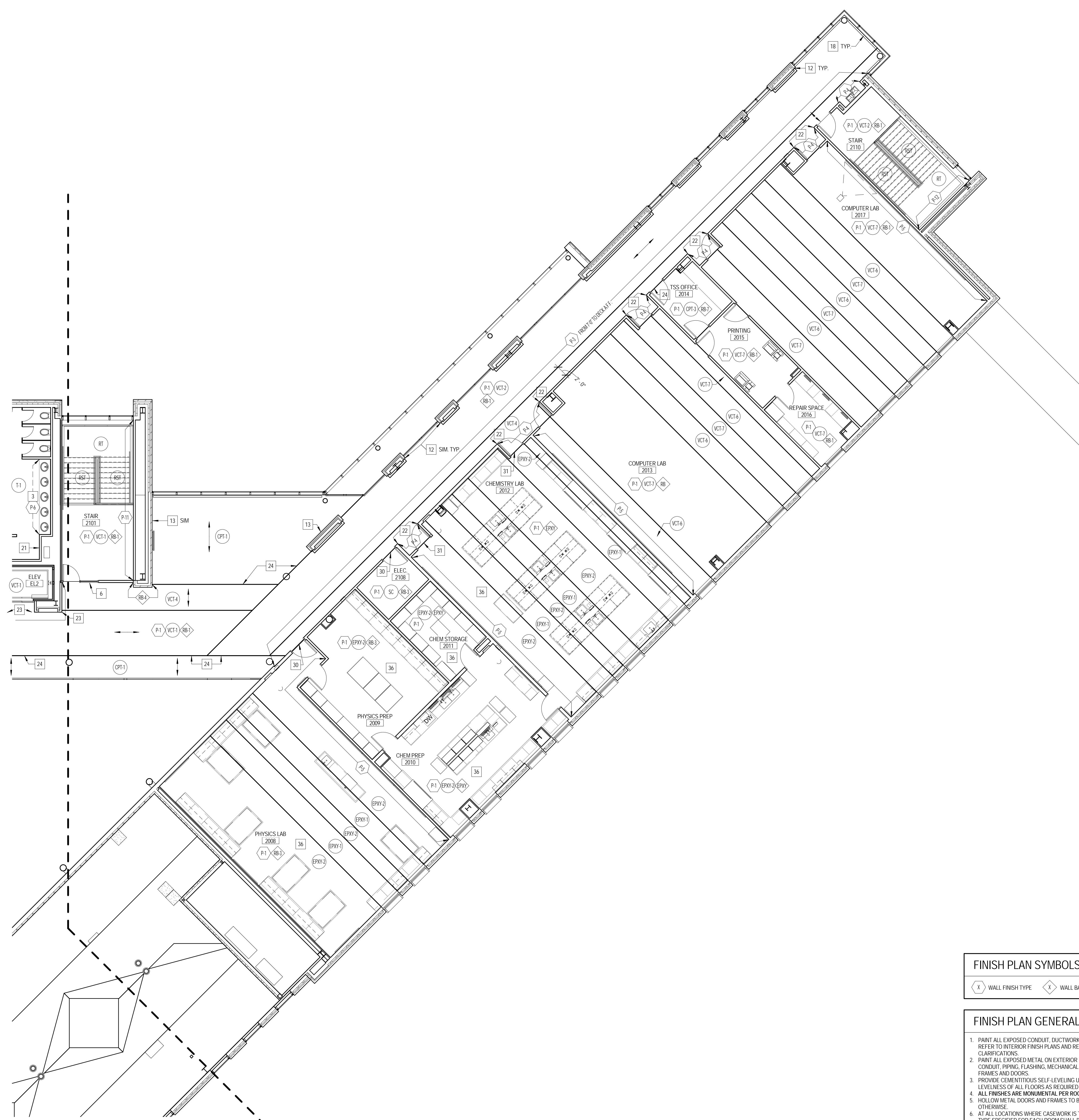
- SEE ELEVATIONS FOR WALL TILE EXTENTS AND PATTERNS
- PROVIDE SCHLUTER DILEX-EHK AT ALL FLOOR PERIMETER BETWEEN FLOOR AND WALL TILE AND VERTICAL INSIDE TILE CORNERS. PROVIDE SCHLUTER JOLLY AT ALL OUTSIDE TILE CORNERS
- DASHED LINE INDICATES PAINT ON SOFFIT ABOVE
- SEE ELEVATION FOR PATTERNCOLOR LAYOUT
- INSTALL RB-3 TO INSIDE FACE OF MILLWORK TOE KICK
- REFER TO DETAIL 2/11.01 FOR TYPICAL BASE CONDITION WHERE VCT MEETS INTERIOR AND EXTERIOR STOREFRONT
- PROVIDE RB-4 @ INSIDE PERIMETERS OF MILLWORK
- SEE ELEVATIONS FOR PAINT EXTENTS/LOCATIONS
- TROWEL UC TO STAINLESS STEEL INSIDE CORNER COVE TRIM @ FLOOR
- TROWEL UC FLOORING GRADUALLY AS REQUIRED SO THAT IT IS FLUSH WITH FACE OF ADJ. FLOOR TILE
- STOP TILE 4" ABOVE FINISH FLOOR @ LOCATION WHERE IT MEETS VCT TO ALLOW FOR INSTALLATION OF RUBBER BASE
- INSTALL RB-4 @ BRICK AND EXTERIOR FRAME LOCATION. SCRIBE RB-4 TO RB-1 @ GYP. BD. PARTITION LOCATION
- DO NOT INSTALL BASE ON BRICK @ PIERS
- PAINT SOFFIT AND SOFFIT FACE ABOVE P-1
- PAINT SOFFIT AND SOFFIT FACE ABOVE P-5
- PAINT SOFFIT AND SOFFIT FACE ABOVE P-5
- PROVIDE A HORIZONTAL WALL REVEAL @ 3'-0" A.F.F.
- INSTALL RB-4 @ ALL EXTERIOR FRAME LOCATIONS WHERE VCT ABUTTS FRAME
- INSTALL RB-4 @ ALL EXTERIOR FRAME LOCATIONS WHERE VCT ABUTTS FRAME
- REFER TO ELEVATIONS FOR EXTENTS OF SS-4 BELOW HAND DRYERS
- PROVIDE CG-1 FROM 4" A.F.F. TO CEILING ABOVE
- PROVIDE CG-2 FROM 4" A.F.F. TO CEILING ABOVE
- PROVIDE CEMENTITIOUS UNDERLAYMENT AS REQUIRED UNDER VCT FLOORING TO GRADUALLY BUMP UP AND BRING FACE OF VCT FLUSH WITH FACE OF ADJ. CARPET. PROVIDE TRANS-2 BETWEEN FLOORING TYPES
- PROVIDE TRANS-2 BETWEEN FLOORING TYPES
- PROVIDE TRANS-3 @ FLOORING TYPE TRANSITION
- ADJUST THICKNESS OF EPOXY FLOORING AS NECESSARY @ FLOORING TRANSITION TO ENSURE ADJACENT FLOORING TYPES ARE FLUSH. PROVIDE TRANS-2 BETWEEN FLOORING TYPES
- PAINT H.M. DOORFRAME P-14
- PAINT H.M. DOORFRAME P-5
- HOLD WALL TILE @ FINISH FLOOR TO ALLOW FOR INSTALLATION OF BASE BELOW
- PROVIDE 4" SS COVE WALL BASE AT THIS LOCATION
- PROVIDE RB-3 AT ALL FREESTANDING CASEWORK
- INSTALL FRP FROM 0' 4" A.F.F. TO 5'-0" A.F.F. AND EXTEND PANELS 3'-0" IN EACH DIRECTION FROM CORNER OF WALL BEHIND SINK
- NO FLOOR, NO BASE (BARE CONCRETE FLOOR). COOLER LOCATION
- INSTALL TILE HORIZONTALLY IN HALF OFFSET PATTERN

FINISH PLAN SYMBOLS LEGEND:

- WALL FINISH TYPE
- WALL BASE TYPE
- FLOOR FINISH TYPE

FINISH PLAN GENERAL NOTES:

- PAINT ALL EXPOSED CONDUIT, DUCTWORK, PIPING, ETC. IN ALL FINISHED SPACES. REFER TO INTERIOR FINISH PLANS AND REFLECTED CEILING PLANS FOR CLARIFICATIONS
- PAINT ALL EXPOSED METAL ON EXTERIOR INCLUDING, BUT NOT LIMITED TO: CONDUIT, PIPING, FLASHING, MECHANICAL FLUES AND DUCTS, AND HOLLOW METAL FRAMES AND DOORS
- PROVIDE CEMENTITIOUS SELF-LEVELING UNDERLAYMENT AS REQUIRED TO ENSURE LEVELNESS OF ALL FLOORS AS REQUIRED PER SPECIFICATIONS
- ALL FINISHES ARE MONUMENTAL PER ROOM UNLESS NOTED OTHERWISE
- HOLLOW METAL DOORS AND FRAMES TO BE PAINTED P-3 UNLESS NOTED OTHERWISE
- AT ALL LOCATIONS WHERE CASEWORK IS TO BE INSTALLED, THE SUBSEQUENT BASE TYPE SPECIFIED FOR EACH ROOM SHALL BE INSTALLED OVER CASEWORK TOE KICKS UNLESS NOTED OTHERWISE. REFER TO FLOOR PLANS FOR CASEWORK LOCATIONS
- PAINT ALL GYP. BD. CEILINGS P-2 UNLESS NOTED OTHERWISE
- ALL CARPET TILE TO BE INSTALLED BROCK PATTERN UNLESS SPECIFIED OTHERWISE
- ALL 12X24 FORMBLOC VCT TO BE INSTALLED BROCK PATTERN UNLESS NOTED OTHERWISE
- ALL EXPOSED METAL COLUMNS TO BE PAINTED P-3 UNLESS NOTED OTHERWISE
- PAINT ALL METAL STAIR COMPONENTS P-3 UNLESS NOTED OTHERWISE
- FOR ALL WALL CONDITIONS WHERE GYP. BD. RETURNS BACK TO ALUMINUM STOREFRONT AND COVE BASE IS SPECIFIED, REFER TO DETAIL 2/11.01



1 LEVEL 2 FINISH PLAN EAST
 1/8" = 1'-0"



ARCHITECT OF RECORD
DEMONICA KEMPER ARCHITECTS
 125 N. HALSTED STREET, SUITE 301
 CHICAGO, IL 60661
 P: 312.496.0000

STRUCTURAL AND MEPFP ENGINEERING
KJWW ENGINEERING CONSULTANTS
 1100 WARRENVILLE RD. SUITE
 400W NAPERVILLE, IL 60563
 P: 630.527.2320

FOOD SERVICE CONSULTANT
CINI LITTLE INTERNATIONAL, INC.
 200 E. HOWARD AVE. SUITE 212
 DES PLAINES, IL 60018
 P: 847.298.0088

CONSTRUCTION MANAGER
JOLIET JUNIOR COLLEGE
 1215 HOUBOLT RD.
 JOLIET, IL 60431
 P: 815.280.2212

**JOLIET JUNIOR COLLEGE
 ROMEOVILLE CAMPUS EXPANSION**
 1125 135th ST. ROMEOVILLE, IL 60446
 DKA PROJECT NO: 14-005

KEY PLAN:

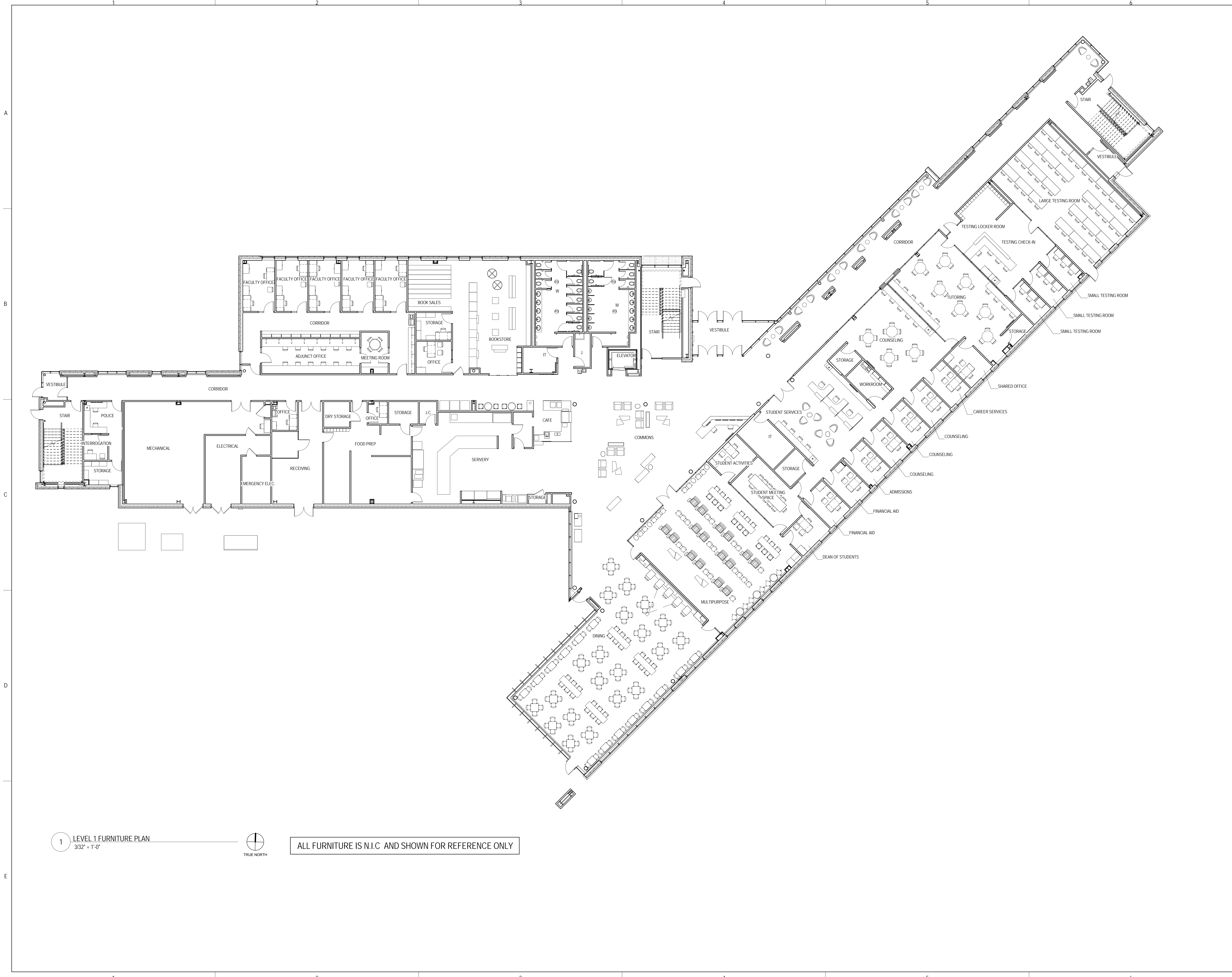
SHEET STATUS: 9/21/15
**ISSUED FOR
 CONSTRUCTION**

NO.	DESCRIPTION:	DATE:

SHEET TITLE:
**LEVEL 1 FURNITURE
 PLAN (FOR
 REFERENCE ONLY)**

SHEET NUMBER:

A12.01



1 LEVEL 1 FURNITURE PLAN
 3/32" = 1'-0"



ALL FURNITURE IS N.I.C. AND SHOWN FOR REFERENCE ONLY



ARCHITECT OF RECORD
 DEMONICA KEMPER ARCHITECTS
 125 N. HALSTED STREET, SUITE 301
 CHICAGO, IL 60661
 P: 312.496.0000

STRUCTURAL AND MEPFP ENGINEERING
 KJWW ENGINEERING CONSULTANTS
 1100 WARRENVILLE RD. SUITE
 400W NAPERVILLE, IL 60563
 P: 630.527.2320

FOOD SERVICE CONSULTANT
 CINI LITTLE INTERNATIONAL, INC.
 200 E. HOWARD AVE. SUITE 212
 DES PLAINES, IL 60018
 P: 847.298.0088

CONSTRUCTION MANAGER
 JOLIET JUNIOR COLLEGE
 1215 HOUBOLT RD.
 JOLIET, IL 60431
 P: 815.280.2212

JOLIET JUNIOR COLLEGE
ROMEIOVILLE CAMPUS EXPANSION
 1125 135th ST. ROMEIOVILLE, IL 60446
 DKA PROJECT NO: 14-005

KEY PLAN:

SHEET STATUS: 9/21/15

ISSUED FOR CONSTRUCTION

NO. DESCRIPTION: DATE:

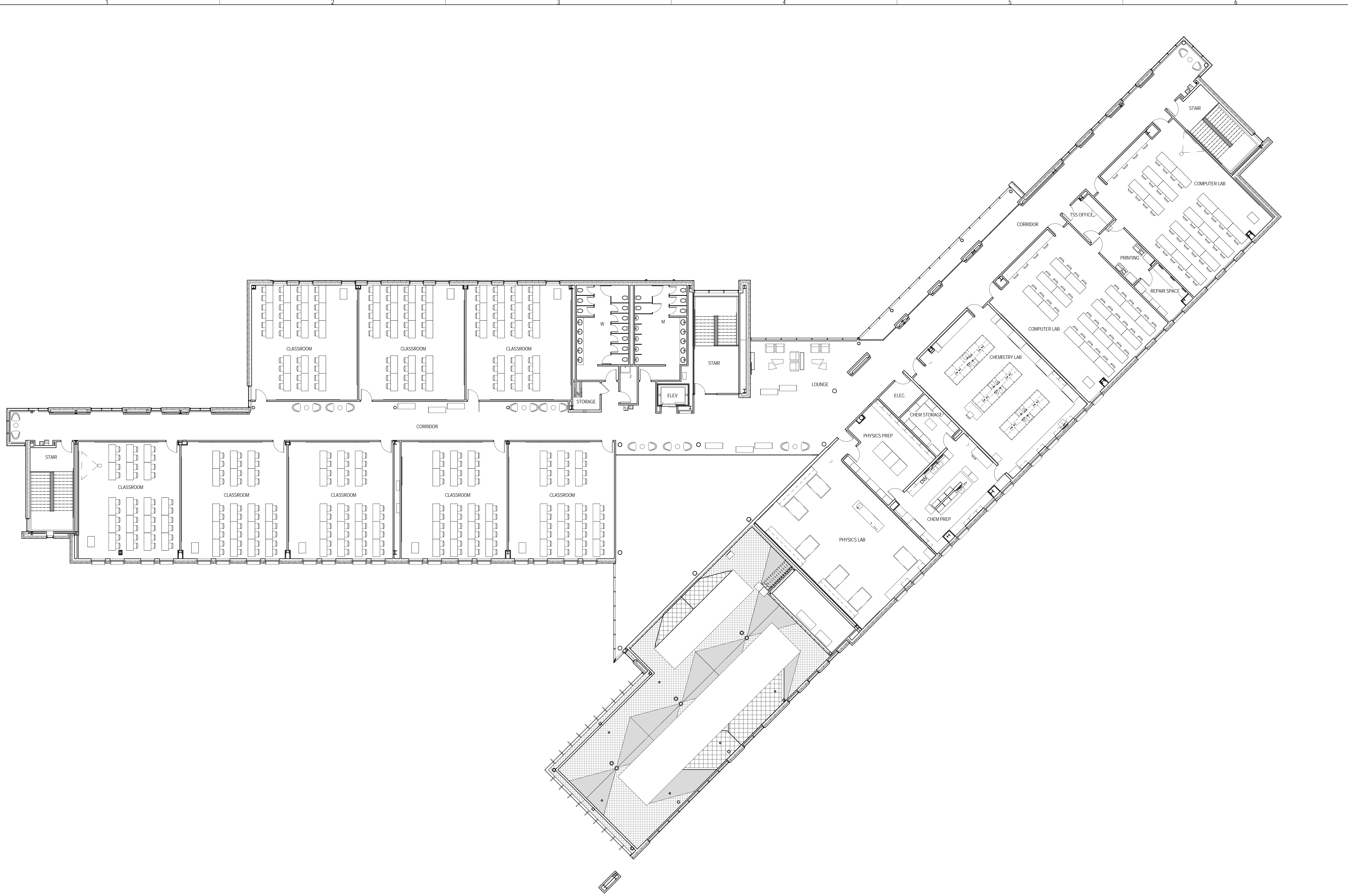
NO.	DESCRIPTION:	DATE:

SHEET TITLE:
LEVEL 2 FURNITURE PLAN (FOR REFERENCE ONLY)

SHEET NUMBER:

A12.02

9/18/2015 9:40:09 AM



1 LEVEL 2 FURNITURE PLAN
 3/32" = 1'-0"



TRUE NORTH

ALL FURNITURE IS N.I.C AND SHOWN FOR REFERENCE ONLY

DESIGN CRITERIA

- CODES:
 - INTERNATIONAL BUILDING CODE (IBC) 2009
 - AMERICAN CONCRETE INSTITUTE BUILDING CODE REQUIREMENTS FOR STRUCTURAL CONCRETE (ACI 318-05)
 - AMERICAN INSTITUTE OF STEEL CONSTRUCTION (AISC) SPECIFICATION FOR STRUCTURAL STEEL BUILDINGS
 - ALLOWABLE STRENGTH DESIGN (ASD/AISC 360-05) THIRTEENTH EDITION, 2005
 - AMERICAN WELDING SOCIETY D11.1
- DESIGN LOADS:
 - OCCUPANCY CATEGORY III
 - BACKFILL
 - EQUIVALENT FLUID PRESSURE 70 PCF
 - SEISMIC (IBC)
 - SOIL CLASSIFICATION C
 - SPECTRAL RESPONSE ACCELERATION, S_s 0.193 g
 - SPECTRAL RESPONSE ACCELERATION, S_1 0.085 g
 - SHORT PERIOD DESIGN ACCELERATION, S_{DS} 0.154 g
 - LONG PERIOD DESIGN ACCELERATION, S_{L1} 0.074 g
 - IMPORTANT ANGLES 1.25
 - SEISMIC DESIGN CATEGORY B
 - SEISMIC FORCE RESISTING SYSTEM STEEL SYSTEM NOT SPECIFICALLY DETAILED FOR SEISMIC RESISTANCE
 - RESPONSE MODIFICATION FACTOR, R 3
 - ANALYSIS PROCEDURE SIMPLIFIED ANALYSIS
 - SEISMIC RESPONSE COEFFICIENT, C_s 0.065
 - DESIGN BASE SHEAR, $V = C_s \times W$ 265 KIPS
 - WIND - PARAMETERS
 - BASIC WIND SPEED 90 MPH
 - IMPORTANCE FACTOR 1.15
 - EXPOSURE CLASS C
 - WIND - MAIN WIND FORCE RESISTING SYSTEM PRESSURES
 - DESIGN PRESSURE 20 PSF
 - WIND - ELEMENTS AND COMPONENTS
 - ROOF JOISTS 15 PSF NET UPLIFT (1.0WL+0.6DL, INCLUDING JOIST SELF-WEIGHT)
- LIVE LOADS
 - CLASSROOMS 40 PSF UNREDUCIBLE
 - CORRIDOR AND PUBLIC SPACE 100 PSF UNREDUCIBLE
 - MECHANICAL PARTITIONS 15 PSF UNREDUCIBLE
 - STAIRS 100 PSF UNREDUCIBLE
 - SNOW LOADS
 - GROUND SNOW LOAD 25 PSF
 - SNOW EXPOSURE FACTOR 1.0
 - IMPORTANCE FACTOR 1.1
 - FLAT ROOF SNOW LOAD 25 PSF
 - DESIGN LOAD 25 PSF
- NET ALLOWABLE SOIL BEARING PRESSURES
 - SPREAD FOOTINGS/CONTINUOUS FOOTINGS 4000 PSF
- MINIMUM FROST PROTECTION DEPTH FROM ADJACENT GRADE:
 - EXTERIOR FOOTING ADJACENT HEATED AREA -3'-0"
 - INTERIOR FOOTINGS IN HEATED AREA -2'-0"
- SPECIFIED 28-DAY CONCRETE COMPRESSIVE STRENGTHS (fc)
 - FOOTINGS 3000 PSI
 - FOUNDATION WALLS 4000 PSI
 - SHAFT WALLS, ELEVATOR OR STAIR SLABS ON GRADE 3500 PSI
 - TYPICAL - UNLESS NOTED OTHERWISE 4000 PSI
- CONCRETE REINFORCING STEEL SHALL BE HIGH STRENGTH NEW BILLET STEEL CONFORMING TO THE FOLLOWING STANDARDS:
 - DEFORMED BARS ASTM A615, GRADE 60 Fy = 60 KSI
 - WELDED WIRE REINFORCING ASTM A185 Fy = 65 KSI
- STRUCTURAL STEEL SHALL CONFORM TO THE FOLLOWING STANDARDS:
 - WIDE FLANGE SECTIONS ASTM A992 Fy = 50 KSI
 - OTHER ROLLED SECTIONS ASTM A36 Fy = 36 KSI
 - SQUARE AND RECTANGULAR HSS ASTM A500, GR B Fy = 46 KSI
 - ROUND HSS ASTM A500, GR B Fy = 42 KSI
 - CAP AND BASE PLATES ASTM A36 Fy = 36 KSI
 - CONNECTION MATERIAL ASTM A36 Fy = 36 KSI
 - STIFFENER PLATES ASTM A36 Fy = 36 KSI
 - ANCHOR RODS ASTM F1554, GR 36 Fy = 36 KSI
 - HIGH STRENGTH BOLTS (AISC 360-05 ASD) A325 (3/4" DIAMETER UNF) Fy = 24 KSI
 - TWIST-OFF BOLT/TWISTWASHER ASSEMBLIES ASTM F1852 Fy = 36 KSI
 - HEAVY HEX NUTS ASTM A563 Fy = 36 KSI
 - WASHERS ASTM F436 Fy = 36 KSI
 - HEADED WELDED STEEL STUDS ASTM A108, TYPE B Fy = 36 KSI
 - ELECTRODES FOR ARC WELDING AWS 5.1, E70XX
- STEEL DECK AND ALL ACCESSORIES SHALL BE FORMED FROM STEEL SHEETS CONFORMING TO THE FOLLOWING STANDARDS:
 - GALVANIZED FLOOR DECK ASTM A563, GR 50 [40] Fy = 50 [40] KSI
 - GALVANIZED STEEL ROOF DECK ASTM A563, GR 33 Fy = 33 KSI

GENERAL NOTES

- NEITHER THE PROFESSIONAL ACTIVITIES OF THE ENGINEER, NOR THE PRESENCE OF THE ENGINEER OR HIS OR HER EMPLOYEES AND SUBCONSULTANTS AT THE CONSTRUCTION SITE, SHALL RELIEVE THE CONTRACTOR AND ANY OTHER ENTITY OF THEIR OBLIGATIONS, DUTIES, AND RESPONSIBILITIES INCLUDING, BUT NOT LIMITED TO, CONSTRUCTION MEANS, METHODS, SEQUENCE, TECHNIQUES, OR PROCEDURES NECESSARY FOR PERFORMING, SUPERINTENDING, OR COORDINATING ALL PORTIONS OF THE WORK OF CONSTRUCTION WITH THE CONTRACT DOCUMENTS AND ANY HEALTH OR SAFETY PRECAUTIONS REQUIRED BY ANY REGULATORY AGENCIES. THE ENGINEER AND HIS OR HER PERSONNEL HAVE NO AUTHORITY TO EXERCISE ANY CONTROL OVER ANY CONSTRUCTION CONTRACTOR OR OTHER ENTITY OR THEIR EMPLOYEES IN CONNECTION WITH THEIR WORK OR ANY HEALTH OR SAFETY PRECAUTIONS. THE CONTRACTOR IS SOLELY RESPONSIBLE FOR THE JOBSITE SAFETY. THE ENGINEER AND THE ENGINEER'S CONSULTANTS SHALL BE MADE ADDITIONAL INSUREDS UNDER THE CONTRACTOR'S GENERAL LIABILITY INSURANCE POLICY.
- STRUCTURAL DRAWINGS INCLUDE DESIGN REQUIREMENTS AND DIMENSIONS FOR STRUCTURAL INTEGRITY BUT DO NOT SHOW ALL DETAIL DIMENSIONS TO FIT INTRICATE ARCHITECTURAL AND MECHANICAL DETAILS. SO CONSTRUCT THE WORK SO THAT IT WILL CONFORM TO THE CLEARANCES REQUIRED BY ARCHITECTURAL, MECHANICAL AND ELECTRICAL DESIGN.
- THE CONTRACT STRUCTURAL DRAWINGS AND SPECIFICATIONS REPRESENT THE FINISHED STRUCTURE. UNLESS NOTED OTHERWISE, THEY DO NOT INDICATE THE MEANS OR METHODS OF CONSTRUCTION.
- DETAILS AND NOTES ON THE STRUCTURAL DRAWINGS ARE INTENDED TO BE TYPICAL FOR SIMILAR SITUATIONS ELSEWHERE.
- ESTABLISH AND VERIFY ALL OPENINGS AND INSERTS FOR MECHANICAL, ELECTRICAL, AND PLUMBING WITH APPROPRIATE TRADE CONTRACTORS. OPENING SIZES AND LOCATIONS SHOWN FOR DUCTS, PIPES, INSERTS AND OTHER PENETRATIONS WHEN SHOWN ARE FOR GENERAL INFORMATION ONLY AND SHALL BE VERIFIED PRIOR TO FORMING.
- DIMENSIONS, NOTES, AND DETAILS ON DRAWINGS SHALL TAKE PRECEDENCE OVER GENERAL NOTES AND TYPICAL DETAILS.
- REFER TO ARCHITECTURAL DRAWINGS FOR THE FOLLOWING:
 - A. SIZE AND LOCATION OF ALL DOOR AND WINDOW OPENINGS, UNLESS NOTED OTHERWISE.
 - B. SIZE AND LOCATIONS OF ALL INTERIOR AND EXTERIOR MASONRY WALLS.
 - C. SIZE AND LOCATION OF ALL CONCRETE CURBS, FLOOR DRAINS, SLOPES, DEPRESSED AREAS, CHANGES IN LEVEL, CHAMFERS, GROOVES, INSERTS, ETC.
 - D. SIZE AND LOCATION OF ALL FLOOR AND ROOF OPENINGS UNLESS NOTED OTHERWISE.
 - E. FLOOR, WALL AND ROOF FINISHES.
 - F. STAIR FRAMING AND DETAILS. ALSO REFER TO STAIR MANUFACTURER'S APPROVED SHOP DRAWINGS.
 - G. DIMENSIONS NOT SHOWN ON STRUCTURAL DRAWINGS.
 - H. FIRE PROTECTION REQUIREMENTS.
- REFER TO MECHANICAL, PLUMBING AND ELECTRICAL DRAWINGS FOR THE FOLLOWING:
 - A. PIPE RUNS, SLEEVES, HANGERS, TRENCHES, WALL AND SLAB OPENINGS, ETC., EXCEPT AS SHOWN.
 - B. ELECTRICAL CONDUIT RUNS, BOXES, OUTLETS IN WALLS AND SLABS.
 - C. CONCRETE INSERTS FOR ELECTRICAL, MECHANICAL OR PLUMBING FIXTURES.
 - D. SIZE AND LOCATION OF MACHINE OR EQUIPMENT BASES OR CURBS AND ANCHOR BOLTS FOR MOTOR MOUNTS.
- BEFORE SUBMITTING A PROPOSAL FOR THIS WORK, EACH BIDDER SHALL VISIT THE PREMISES AND BECOME FULLY ACQUAINTED WITH THE EXISTING CONDITIONS. TEMPORARY CONSTRUCTION REQUIRED, QUANTITIES AND TYPES OF EQUIPMENT, ETC. THE BID SHALL INCLUDE ALL SUMS REQUIRED TO DO THE WORK WITHIN THE EXISTING CONDITIONS. DISRUPTION OF NORMAL ACTIVITIES IN THE WORK AREA SHALL BE KEPT TO A MINIMUM.
- SHOP DRAWINGS PREPARED BY SUPPLIERS, SUBCONTRACTORS, AND OTHERS SHALL BE REVIEWED AND COORDINATED PRIOR TO SUBMITTING TO THE ARCHITECT. EACH SHOP DRAWING SUBMITTED SHALL BE STAMPED, INITIALED AND DATED INDICATING REVIEW BY THE CONSTRUCTION MANAGER/GENERAL CONTRACTOR.
- SHOP DRAWINGS PREPARED BY THE SUBCONTRACTORS, SUPPLIERS, AND OTHERS SHALL BE REVIEWED BY THE ARCHITECT ONLY FOR GENERAL PERFORMANCE WITH DESIGN CONCEPT ONLY. REVIEW BY THE ARCHITECT SHALL NOT BEGIN WITHOUT THE PRIOR COORDINATION AND REVIEW BY THE GENERAL CONTRACTOR. WORK SHALL NOT BEGIN WITHOUT REVIEW BY THE ARCHITECT. NOTATIONS MADE BY THE ARCHITECT ON THE SHOP DRAWINGS DO NOT RELIEVE THE CONTRACTOR FROM COMPLYING WITH THE REQUIREMENTS OF THE DRAWINGS AND SPECIFICATIONS.
- OPTIONS ARE FOR THE CONTRACTOR'S CONVENIENCE. CONTRACTOR SHALL BE RESPONSIBLE FOR ALL NECESSARY CHANGES RESULTING FROM CHOOSING AN OPTION AND SHALL COORDINATE ALL DETAILS. THE COST OF ADDITIONAL DESIGN WORK NECESSITATED BY SELECTION OF AN OPTION SHALL BE BORNE BY THE CONTRACTOR.
- THE COST OF ADDITIONAL DESIGN WORK DUE TO ERRORS OR OMISSIONS BY THE CONTRACTOR IN CONSTRUCTION SHALL BE BORNE BY THE CONTRACTOR.
- ANY ENGINEERING DESIGN PROVIDED BY OTHERS AND SUBMITTED FOR REVIEW OR RECORD SHALL BEAR THE STAMP AND SIGNATURE OF A PROFESSIONAL STRUCTURAL ENGINEER REGISTERED IN THE STATE OF ILLINOIS.
- ELEVATIONS ARE BASED ON THE FIRST FLOOR ELEVATION OF (+ 0'-0") WHICH IS EQUAL TO CIVIL ELEVATION OF (671.84').

FOUNDATIONS/SLAB-ON-GRADE

- CROSS REFERENCE ARCHITECTURAL AND STRUCTURAL DRAWINGS TO ASSURE PROPER DIMENSIONS AND PLACEMENT OF ALL ANCHOR BOLTS, INSERTS, NOTCHES, EDGES IN GRADE BEAMS, FOUNDATION WALLS AND PIERS.
- FOUNDATION DESIGN BASED ON GEOTECHNICAL ENGINEERING REPORT DATED JANUARY 29, 2015 BY ECS MIDWEST, LLC. REPORT IS ON FILE WITH THE ARCHITECT.
- ALL EXCAVATIONS SHALL BE PROPERLY AND SAFELY BACKFILLED. DO NOT PLACE BACKFILL BEHIND RETAINING WALLS BEFORE CONCRETE HAS ATTAINED SPECIFIED COMPRESSIVE STRENGTH. CONTRACTOR SHALL BRACE OR PROTECT ALL WALLS BELOW GRADE FROM LATERAL LOADS UNTIL SUPPORTING FLOOR IS COMPLETELY IN PLACE AND HAS ATTAINED FULL STRENGTH. CONTRACTOR SHALL PROVIDE FOR DESIGN, PERMITS, AND INSTALLATION OF SHORING AND/OR SHEETING. BACKFILLING IS NOT PERMITTED FOR FOUNDATION WALLS UNTIL SUPPORTED SLAB ABOVE IS IN PLACE OR THE WALL IS ADEQUATELY BRACED TO RESIST LATERAL LOADS.
- UNLESS NOTED OTHERWISE, ALL FOOTINGS SHALL BE CENTERED UNDER WALLS, PIERS OR COLUMNS.
- PROVIDE SAW CUT CONTROL JOINTS IN ALL SLABS-ON-GRADE. LOCATE JOINTS ALONG COLUMN LINES WITH INTERMEDIATE JOINTS SPACED AT A MAXIMUM OF 36 TIMES THE SLAB THICKNESS. UNLESS NOTED OTHERWISE, CONTROL JOINTS SHALL BE CONTINUOUS, NOT STAGGERED OR OFFSET. SLAB PANELS SHALL HAVE A MAXIMUM LENGTH TO WIDTH RATIO OF 1.5 TO 1. PROVIDE ADDITIONAL CONTROL JOINTS AT ALL RE-ENTRANT CORNERS FORMED IN SLAB ON GRADE.

REINFORCING STEEL

- FOR CAST-IN-PLACE CONCRETE THE FOLLOWING MINIMUM CONCRETE COVER SHALL BE PROVIDED FOR REINFORCEMENT UNLESS NOTED OTHERWISE:
 - CONCRETE CAST AGAINST AND PERMANENTLY EXPOSED TO EARTH 3 INCHES
 - CONCRETE EXPOSED TO EARTH OR WEATHER NO. 5 BARS OR LARGER 2 INCHES
 - NO. 5 BARS OR SMALLER 1 1/2 INCHES
 - SLABS, WALLS, JOISTS NOT EXPOSED TO WEATHER OR IN CONTACT WITH EARTH NO. 14 AND NO. 18 BARS 1 1/2 INCHES
 - NO. 11 BARS OR SMALLER 3/4 INCHES
 - BEAMS AND COLUMNS NOT EXPOSED TO WEATHER OR IN CONTACT WITH EARTH 1 1/2 INCHES
- DIMENSIONS OF CONCRETE COVER FOR REINFORCEMENT INDICATED ON DRAWINGS ARE TO OUTERMOST REINFORCING BARS. FOR BEAMS OR COLUMNS WITH STIRRUPS OR TIES, CLEAR COVER INDICATED IS TO STIRRUPS OR TIES.
- BAR SPLICES: SPLICE REINFORCING WHERE INDICATED ON THE DRAWINGS. ALL SPLICES SHALL BE CLASS 'B' AS DEFINED IN ACI 318. IF SPLICE LENGTH IS NOT GIVEN ON THE DRAWINGS, PROVIDE LAP LENGTHS (IN INCHES) AS FOLLOWS:

BAR SIZE	3000 PSI CONCRETE		4000 PSI CONCRETE	
	OTHER	TOP	OTHER	TOP
#3	22	28	19	25
#4	29	36	25	33
#5	36	47	31	41
#6	43	56	37	49
#7	51	64	44	57
#8	72	93	62	81
#9	81	105	70	91
#10	91	118	79	102
#11	101	131	87	114

LAP LENGTHS SHALL CLEAR SPACING BETWEEN BARS OF 2 BAR DIAMETERS, AND A MINIMUM COVER OF 1 BAR DIAMETER. FOR DEVELOPMENT LENGTHS, DIVIDE BY 1.3. TOP BARS ARE DEFINED AS HORIZONTAL BARS WITH MORE THAN 1'-0" OF FRESH CONCRETE BELOW.

- EPOXY FOR EPOXY DOWELING SHALL BE HILTI RE 500 SD, POWERS PE 1000+, OR SIMPSON SET XP. EMBEDMENT LENGTH SHALL BE AS INDICATED ON THE DRAWINGS. INSTALL PER MANUFACTURER'S INSTALLATION INSTRUCTIONS.

POST INSTALLED STEEL ANCHORS

- POST INSTALLED EXPANSION ANCHORS SERVING AS THE BASIS OF DESIGN ARE SHOWN ON THE DRAWINGS. ALTERNATE ANCHORS MAY BE SUPPLIED PROVIDED THAT THE QUANTITY AND CONFIGURATION MATCHES THE CAPACITY OF THE DESIGN ANCHOR QUANTITY AND CONFIGURATION. ANY ACCEPTABLE ALTERNATES ARE TO BE SUBMITTED TO THE STRUCTURAL ENGINEER FOR REVIEW. INSTALL IN ACCORDANCE WITH MANUFACTURER'S WRITTEN INSTRUCTIONS. THE FOLLOWING TABLE SUMMARIZES THE EXPANSION ANCHORS USED ON THE PROJECT:

ANCHORED INTO:	BASIS OF DESIGN	ACCEPTABLE ALTERNATES AT CONTRACTOR'S OPTION
HOLLOW CMU	HILTI HILC SLEEVE	POWERS LOG/BOLT, ITW/RED HEAD DYNABOLT SLEEVE
GROUTED CMU	HILTI KWIK BOLT 3	POWER STUD+ SD1, SIMPSON WEDGE-ALL
UNCRACKED CONCRETE	HILTI KWIK BOLT 3	POWER STUD+ SD2, ITW/RED HEAD TRUBOLT+, SIMPSON STRONG BOLT
CRACKED CONCRETE	HILTI KWIK BOLT TZ	POWER STUD+ SD2, ITW/RED HEAD TRUBOLT+, SIMPSON STRONG BOLT

- ADHESIVE ANCHOR SYSTEMS FOR ATTACHMENT INTO CONCRETE SHALL CONSIST OF ASTM A193 GRADE B7 RODS, HEAVY DUTY NUTS AND WASHERS, AND A TWO COMPONENT STRUCTURAL ADHESIVE. ADHESIVE ANCHORING SYSTEMS SERVING AS THE BASIS OF DESIGN ARE SHOWN ON THE DRAWINGS. ACCEPTABLE ALTERNATE ANCHORS MAY BE SUPPLIED PROVIDED THAT THE QUANTITY AND CONFIGURATION MATCHES THE CAPACITY OF THE DESIGN ANCHOR QUANTITY AND CONFIGURATION. ANY ACCEPTABLE ALTERNATES ARE TO BE SUBMITTED TO THE STRUCTURAL ENGINEER FOR REVIEW. INSTALL IN ACCORDANCE WITH MANUFACTURER'S WRITTEN INSTRUCTIONS. ANCHORING SYSTEMS INTO HOLLOW CMU SHALL INCLUDE A SCREEN TUBE. THE FOLLOWING TABLE SUMMARIZES THE ADHESIVE ANCHORS USED ON THE PROJECT:

ANCHORED INTO:	BASIS OF DESIGN	ACCEPTABLE ALTERNATES AT CONTRACTOR'S OPTION
HOLLOW CMU	HILTI HIT HY 70	POWERS AC 100+ GOLD, ITW A7 ACRYLIC
GROUTED CMU	HILTI HIT HY 70	POWERS AC 100+ GOLD, ITW A7 ACRYLIC, SIMPSON SET
CRACKED/UNCRACKED CONCRETE	HILTI HIT HY 200	POWERS PE 1000+, SIMPSON SET XP

STRUCTURAL STEEL

- REFER TO DRAWINGS FOR DETAIL OF DECK OPENINGS. REFER TO ARCHITECTURAL, MECHANICAL, ELECTRICAL DRAWINGS, ETC. FOR EXACT SIZE, LOCATION, AND COUNT OF REQUIRED OPENINGS.
- UNLESS NOTED OTHERWISE ALL WELDS SHALL BE CONTINUOUS 1/4" FILLET WELDS.
- HIGH STRENGTH BOLTS SHALL BE INSTALLED IN ACCORDANCE WITH AISC "SPECIFICATIONS FOR STRUCTURAL JOINTS USING ASTM A325 OR A490 BOLTS." SEE DESIGN CRITERIA FOR BOLT SIZE AND MATERIAL. ASTM DESIGNATION.
- BOLTS IN SLOTTED HOLES SHALL BE LOCATED IN THE CENTER OF THE HOLE AFTER FIELD ASSEMBLY IS COMPLETE. UNLESS DETAILED OTHERWISE.
- ALL LATERAL LOAD RESISTANCE AND STABILITY OF THE BUILDING IN THE COMPLETED STRUCTURE IS PROVIDED BY MOMENT FRAMES. WELDED BEAM TO COLUMN CONNECTIONS FRAMED IN EACH ORTHOGONAL DIRECTION (SEE PLAN SHEETS FOR LOCATIONS). THE COMPOSITE STEEL DECK AND CONCRETE FLOORS SERVE AS HORIZONTAL DIAPHRAGMS THAT DISTRIBUTE THE LATERAL WIND AND SEISMIC FORCES HORIZONTALLY TO THE VERTICAL LATERAL FRAMES. THE VERTICAL MOMENT FRAMES CARRY THE APPLIED LATERAL LOADS TO THE BUILDING FOUNDATION.

STEEL JOISTS

- DESIGN, FABRICATION AND ERECTION SHALL BE IN ACCORDANCE WITH THE LATEST EDITION OF THE STEEL JOIST INSTITUTE (SJI) SPECIFICATION BY A MEMBER OF THE SJI APPROVED FOR THE TYPE OF JOIST BEING USED. IN LIEU OF THE ABOVE REQUIREMENTS, THE FABRICATOR MAY PROVIDE A CURRENT INTERNATIONAL CONFERENCE OF BUILDING OFFICIALS (ICBO) RESEARCH RECOMMENDATION APPROVING THE TYPE OF JOIST BEING USED.
- PROVIDE BRIDGING PER SJI SPECIFICATIONS. DESIGN AND PROVIDE UPLIFT BRIDGINGS TO WITHSTAND A NET UPLIFT PRESSURE AS INDICATED WITHIN DESIGN CRITERIA. WHERE BRIDGING INTERFERES WITH MECHANICAL OR OTHER TRADES INSTALLATIONS, THE FABRICATOR SHALL REMOVE THE BRIDGING AFTER THE METAL DECK IS IN PLACE AND REPLACE AS DIRECTED BY THE STRUCTURAL ENGINEER THROUGH THE ARCHITECT.
- ERECTOR SHALL FOLLOW MANUFACTURER'S AND STEEL JOIST INSTITUTES GUIDELINES FOR ERECTIONS STABILITY AND HANDLING.
- ATTACH STEEL JOIST TO SUPPORT PER THE FOLLOWING SCHEDULE, WHERE WELDS ARE INDICATED ON THE DETAILS, WELD TO BE INSTALLED ON BOTH SIDES OF JOIST SEAT.

JOIST SERIES	DETAILS WITH WELD INFORMATION		DETAILS WITH BOLT INFORMATION		MINIMUM END BEARING	
	WELD SIZE	WELD LENGTH	BOLT DIAMETER	BOLT MATERIAL	STEEL	MASONRY
K	1/8"	2"	1/2"	A307	2 1/2"	4"

- DESIGN JOIST SEAT FOR 1650 LB ROLL-OVER LOAD, UNLESS NOTED OTHERWISE.

STEEL DECK

- DECK SIZE AND GAGE INDICATED IN THE DRAWINGS ARE BASED ON THE FOLLOWING:
 - A. VULCRAFT 2008 CATALOG FOR GRAVITY DESIGN LOADS.
 - B. STEEL DECK INSTITUTE (SDI) DIAPHRAGM DESIGN MANUAL 3RD EDITION FOR DIAPHRAGM LOADS.
 - C. VULCRAFT 2008 CATALOG FOR UNSHORED CONSTRUCTION SPANS.
- STEEL ROOF DECK GALVANIZING SHALL CONFORM TO ASTM A924 WITH A MINIMUM COATING OF G60.
- COMPOSITE STEEL FLOOR DECK GALVANIZING SHALL CONFORM TO ASTM A924 WITH A MINIMUM COATING OF G60.
- UNLESS NOTED OTHERWISE, DECK SHALL BE FASTENED WITH 5/8" DIAMETER PUDDLE WELDS AT 12" OC AT ALL SUPPORTS AND EDGES. PROVIDE 16 GAGE WELDING WASHERS WHEN RECOMMENDED BY THE DECK MANUFACTURER FOR THE CARE OF STEEL DECK SPECIFIED BELOW. SIDE LAPS SHALL BE FASTENED WITH #10 TEK SCREWS, MINIMUM TWO AT EACH MIDSPAN AT COMPOSITE FLOORS. REFER TO PLAN FOR SIDE LAPS AT ROOF. OPENING EDGES SHALL RECEIVE THE SAME WELDING AS REQUIRED AT DECK ENDS. ALL WELDING SHALL BE PERFORMED BY CERTIFIED WELDERS EXPERIENCED IN COLD-FORMED STEEL DECK WORK.
- DO NOT EXCEED 25 LBS PER HANGER AND A MINIMUM SPACING OF 2'-0" ON CENTER WHEN ATTACHING TO STEEL ROOF DECKING (LIMITATION NOT REQUIRED WITH CONCRETE ON STEEL DECK). THIS 25 LBS LOAD AND 2'-0" SPACING INCLUDES ADJACENT MECHANICAL, ELECTRICAL, AND ARCHITECTURAL ITEMS HANGING FROM DECK. IF THE HANGER RESTRICTIONS CANNOT BE ACHIEVED, SUPPLEMENTAL FRAMING SUPPORTED OFF STEEL FRAMING WILL NEED TO BE ADDED. THE GENERAL CONTRACTOR IS RESPONSIBLE FOR COORDINATING LOCATION AND WEIGHT OF ALL THE ELEMENTS BEING HUNG.
- USE SUMP PANS AT ALL ROOF DRAINS. MINIMUM THICKNESS FOR SUMP PANS SHALL BE 14 GAGE.

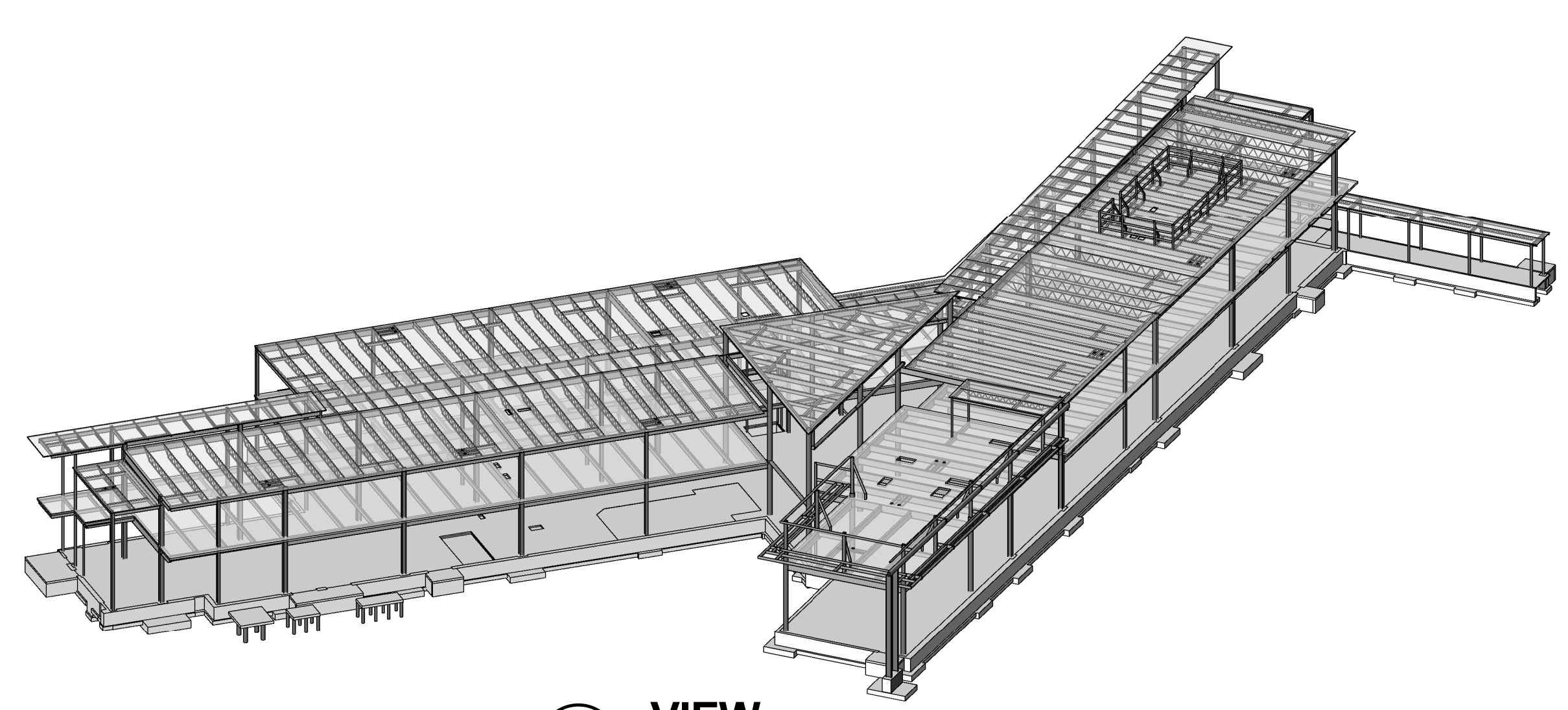
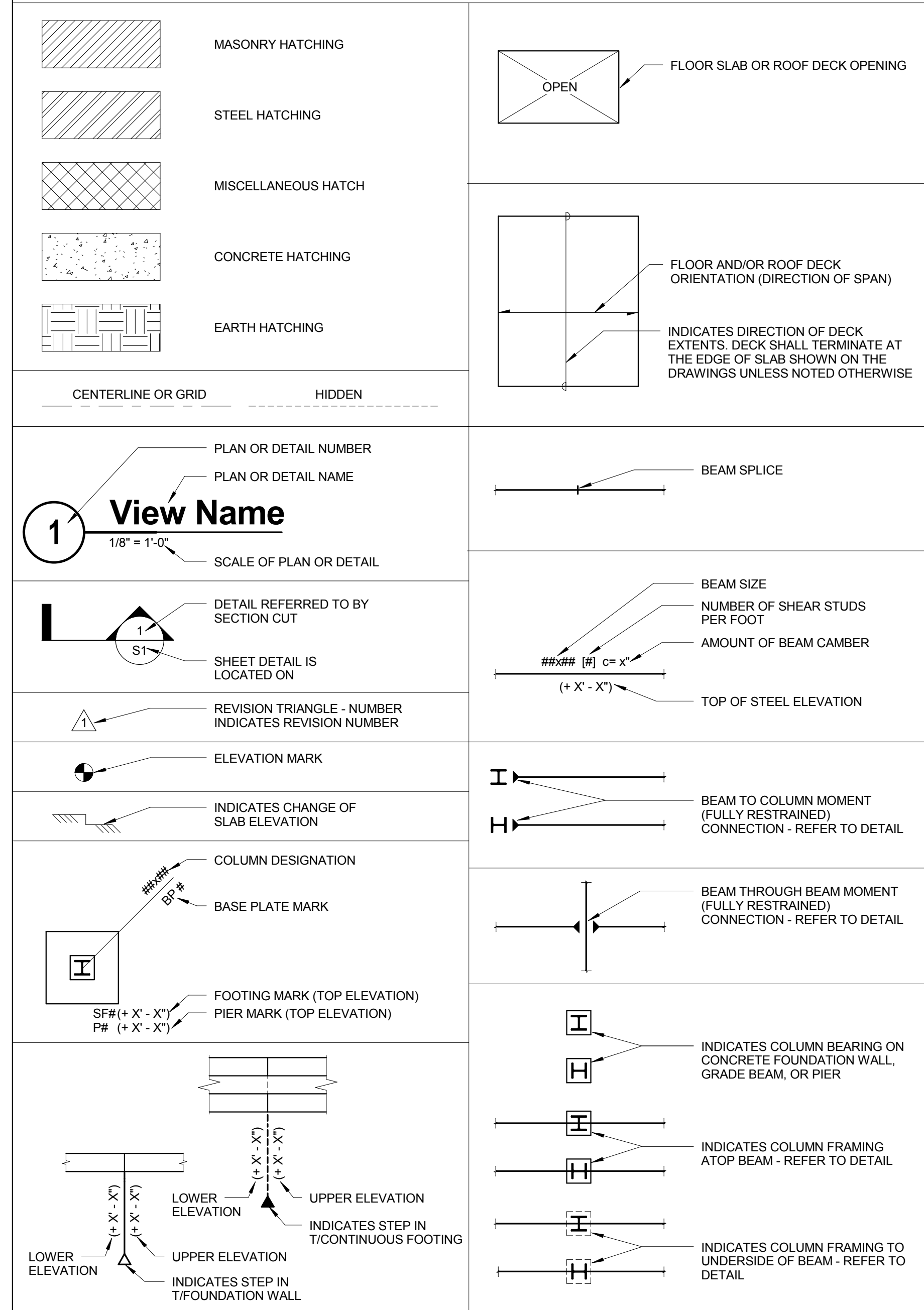
LINTELS

- PROVIDE LINTELS OVER ALL OPENINGS AND RECESSES IN MASONRY CONSTRUCTION.
- THE STRUCTURAL DOCUMENTS REFLECT THE BEST ATTEMPT TO IDENTIFY ALL WALL PENETRATIONS IN THE EXISTING AND NEW CONSTRUCTION. PENETRATIONS NOT IDENTIFIED ON THE DOCUMENTS ARE TO BE TREATED IN A MANNER SIMILAR TO THE IDENTIFIED LOCATIONS. LINTELS IN NON-BEARING MASONRY WALL OPENINGS CAN BE SIZED IN ACCORDANCE WITH THE MISCELLANEOUS LINTEL SCHEDULE OR THE NOTE BELOW. LINTELS THAT OCCUR IN EXISTING BEARING WALLS ARE TO BE SIZED ACCORDING TO SIMILAR CONDITIONS AND SPANS IN THE NEW CONSTRUCTION AND LINTEL SCHEDULE. BOTTOM PLATE SIZE SHALL BE A MINIMUM OF 3/8" THICK. THE WIDTH OF THE PLATE SHALL BE 3/4" LESS THAN THE FIELD VERIFIED WALL THICKNESS. THE PLATE SHALL BE THE FULL LENGTH OF THE LINTEL MEMBER. LINTELS ARE NOT REQUIRED OVER OPENINGS THAT ARE 12" WIDE OR LESS AND AT LEAST 1 COURSE BELOW THE TOP OF THE WALL.
- ALL LINTELS SHALL HAVE A MINIMUM OF 8" END BEARING.
- ALL LINTELS IN EXTERIOR WALL CONSTRUCTION SHALL BE HOT-DIP GALVANIZED. UNO.
- FOR ALL OPENINGS NOT OTHERWISE DETAILED OR SCHEDULED, MINIMUM LINTELS SHALL BE FOR EACH 4 INCH OF MASONRY WIDTH:
 - 0'-0" TO 4'-0" SPAN L5x3 1/2x1/4 (LLH)
 - 4'-0" TO 6'-0" SPAN L5x4x5/16 (LLH)
 - 6'-0" TO 8'-0" SPAN L5x5x5/16 (LLH)
- ALL ANGLES THAT ARE BACK TO BACK SHALL BE WELDED TOP AND BOTTOM 3" AT 12" MINIMUM.
- BEARING PLATES NOT REQUIRED FOR LINTELS UNLESS NOTED OTHERWISE.

STRUCTURAL ABBREVIATIONS LIST

#	NUMBER	KSF	KIPS PER SQUARE FOOT
A	ANGLE	LB	POUND
CJ	DEGREES	LF	LINEAR FOOT
AHU	AIR HANDLING UNIT	LLH	LONG LEG HORIZONTAL
APPROX	APPROXIMATE - LY	LV	LONG LEG VERTICAL
ARCH	ARCHITECTURE - URA	LSH	LONG SIDE HORIZONTAL
B/	BOTTOM OF	LSV	LONG SIDE VERTICAL
BM	BEAM	LONG	LONGITUDINAL
BRG	BASE PLATE	ME	MECHANICAL/ELECTRICAL
BT	BOTTOM	MECH	MECHANICAL
CFSF	COLD FORM STEEL FRAMING	MEZZ	MEZZANINE
CL	CONTROL JOINT	MIN	MINIMUM
CMU	CONCRETE MASONRY UNIT	MIS	MISCELLANEOUS
CONC	CONCRETE	MK	MARK
CONST	CONSTRUCTION	N	NORTH
CONT	CONTINUOUS	NO	NOT IN CONTRACT
D	DEPTH	NTS	NOT TO SCALE
DBL	DOUBLE	NO	NUMBER
DEG	DEGREE	OPNG	OPENING
DL	DEAD LOAD	OPP	OPPOSITE
DTL	DETAIL	PAF	POWER ACTUATED FASTENER
DWG	DRAWING	PC	PRECAST
EA	EACH FACE	PCF	POUNDS PER CUBIC FOOT
EJ	EXPANSION JOINT	PL	PLATE
EL	ELEVATION	PSF	POUNDS PER SQUARE FOOT
ELEC	ELECTRICAL	PSI	POUNDS PER SQUARE INCH
EMBED	EMBEDDED	PVC	POLYVINYL CHLORIDE
EQ	EQUAL	RAD	RADIUS
EOS	EDGE OF SLAB	RD	ROOF DRAIN
EQUIP	EQUIPMENT	REINFC	REINFORCING, MENT, ED
EXIST, (E)	EXISTING	REQD	REQUIRED
EXT	EXPANSION	REF	REFERENCE - REFER TO
FIN	FOUNDATION	REF	REFERENCE - REFER TO
FL	FLOOR	RTU	ROOF-TOP UNIT
FG	FOOTING	SC	TO WITH CLASS A FAYING SURFACE
FY	YIELD STRESS	SCHED	SCHEDULE
G/V	GAGE OR GUAGE	SM	SIMILAR
GALV	GALVANIZED	SNOW	SNOW LOAD
GB	GRADE BEAM	SP	SPACE(S)
GC	GENERAL CONTRACTOR	SPEC	SPECIFICATION(S)
GYP	GYP-SUM	SQ	SQUARE
H/DG	HOT-DIPPED GALVANIZED	STIFF	STIFFENER
HORIZ	HORIZONTAL	STIFF	STIFFENER
HVAC	HEATING, VENTILATION, AIR CONDITIONING	TEMP	TEMPERATURE
HWS	HEADED WELDED STUD	TI	TEMPERATURE
INCH	INCH	TOP	TOP OF
INT	INTERIOR	TRANS	TRANSVERSE </td
JST	JOIST	UNO	UNLESS NOTED OTHERWISE
JO	JOINT	VERT	VERTICAL
KIP	KILOPOUND (1,000 POUNDS)	VIF	VERIFY IN FIELD
KNOCK-OUT	KNOCK-OUT	WVA	VERIFY WITH ARCHITECTURAL DRAWINGS
		WP	WORKING POINT
		WWR	WELDED WIRE REINFORCING
		YD	YARD

STRUCTURAL DRAWING SYMBOLS



3D VIEW

- NOTES:**
- 3D VIEW IS FOR REFERENCE ONLY - NOT FOR CONSTRUCTION. REFER TO PLANS, DETAILS AND SPECIFICATIONS FOR ACTUAL CONSTRUCTION REQUIREMENTS.



ARCHITECT OF RECORD
DOMINICA KEMPER ARCHITECTS
 125 N. HALSTED STREET, SUITE 301
 CHICAGO, IL 60661
 P: 312.496.0000

STRUCTURAL AND MEP/FP ENGINEERING
KJWW ENGINEERING CONSULTANTS
 1100 WARRENVILLE RD, SUITE 400W
 NAPERVILLE, IL 60563
 P: 630.527.2320

JOLIET JUNIOR COLLEGE
ROMEIOVILLE CAMPUS EXPANSION
 1125 135TH ST. - ROMEIOVILLE, JOLIET, IL 60446
 DKA PROJECT NO: 14-005

KEY PLAN:

SHEET STATUS: 9/21/15
ISSUED FOR CONSTRUCTION

NO.	DESCRIPTION:	DATE:

SHEET TITLE:
GENERAL NOTES

SHEET NUMBER:

50.00

KJWW ENGINEERING CONSULTANTS
 1100 WARRENVILLE ROAD, SUITE 400W
 NAPERVILLE, ILLINOIS 60563
 630.527.2320 FAX: 630.527.2321
 WWW.KJWW.COM

PROJECT # 14-005

© 2015 KJWW, P.C.



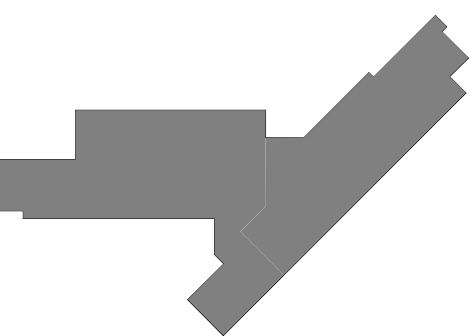


ARCHITECT OF RECORD
DEMIONICA KEMPER ARCHITECTS
 125 N. HALSTED STREET, SUITE 301
 CHICAGO, IL 60661
 P: 312.496.0000

STRUCTURAL AND MEP/FP ENGINEERING
KJWW ENGINEERING CONSULTANTS
 1100 WARRENVILLE RD. SUITE 400W
 NAPERVILLE, IL 60563
 P: 630.527.2320

JOLIET JUNIOR COLLEGE
ROMEOVILLE CAMPUS EXPANSION
 1125 135TH ST. ROMEOVILLE, JOLIET, IL 60446
 DKA PROJECT NO: 14-005

KEY PLAN:



SHEET STATUS: 9/21/15

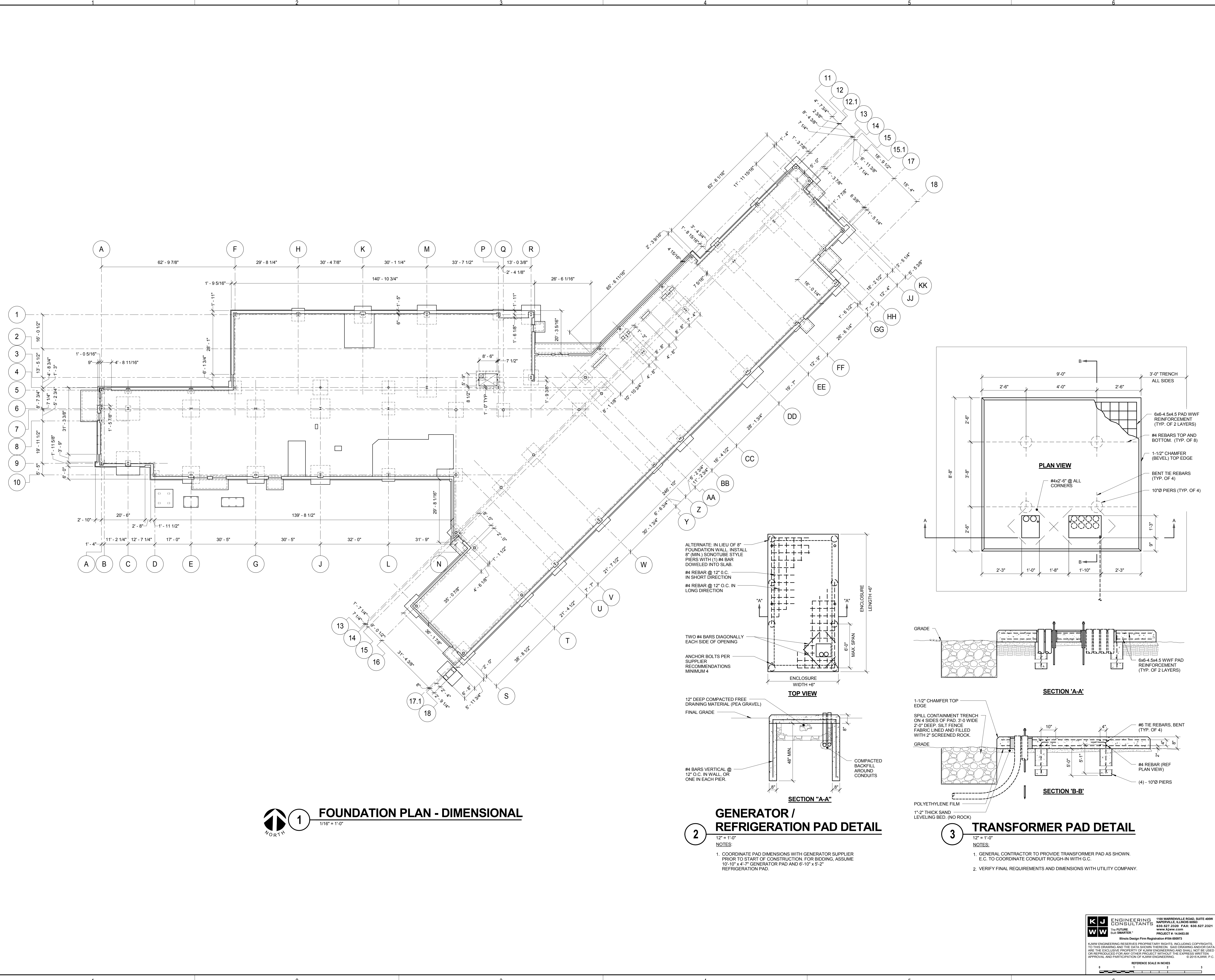
ISSUED FOR CONSTRUCTION

NO.	DESCRIPTION:	DATE:

SHEET TITLE:
FOUNDATION PLAN - DIMENSIONAL

SHEET NUMBER:

S1.01



KJWW ENGINEERING CONSULTANTS
 1100 WARRENVILLE ROAD, SUITE 400W
 NAPERVILLE, ILLINOIS 60563
 630.527.2320 FAX: 630.627.2321
 WWW.KJWW.COM

PROJECT # 14.043.00
 DESIGN FIRM REGISTRATION #14-005-0073

KJWW ENGINEERING RESERVES PROPRIETARY RIGHTS, INCLUDING COPYRIGHTS, TO THIS DRAWING AND THE DATA THEREON. SUCH DRAWING AND/OR DATA ARE THE EXCLUSIVE PROPERTY OF KJWW ENGINEERING AND SHALL NOT BE USED OR REPRODUCED FOR ANY OTHER PROJECT WITHOUT THE EXPRESS WRITTEN APPROVAL AND PARTICIPATION OF KJWW ENGINEERING. © 2015 KJWW, P.C.

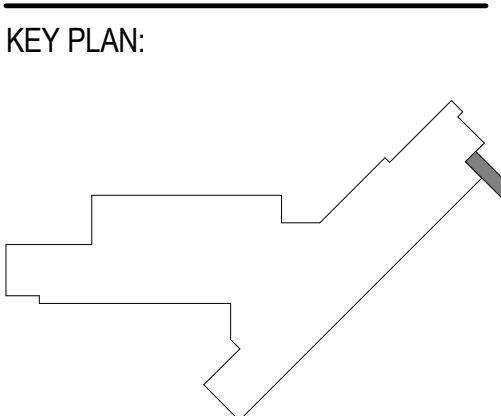
REFERENCE SCALE IN INCHES
 0 1 2 3



ARCHITECT OF RECORD
DEMIONA KEMPER ARCHITECTS
 125 N. HALSTED STREET, SUITE 301
 CHICAGO, IL 60661
 P: 312.496.0000

STRUCTURAL AND MEPFP ENGINEERING
KJWW ENGINEERING CONSULTANTS
 1100 WARRENVILLE RD. SUITE 400W
 NAPERVILLE, IL 60563
 P: 630.527.2320

JOLIET JUNIOR COLLEGE
ROMEDEVILLE CAMPUS EXPANSION
 1125 135TH ST. ROMEDEVILLE, JOLIET, IL 60446
 DKA PROJECT NO: 14-005



SHEET STATUS: 9/21/15

ISSUED FOR CONSTRUCTION

NO.	DESCRIPTION	DATE

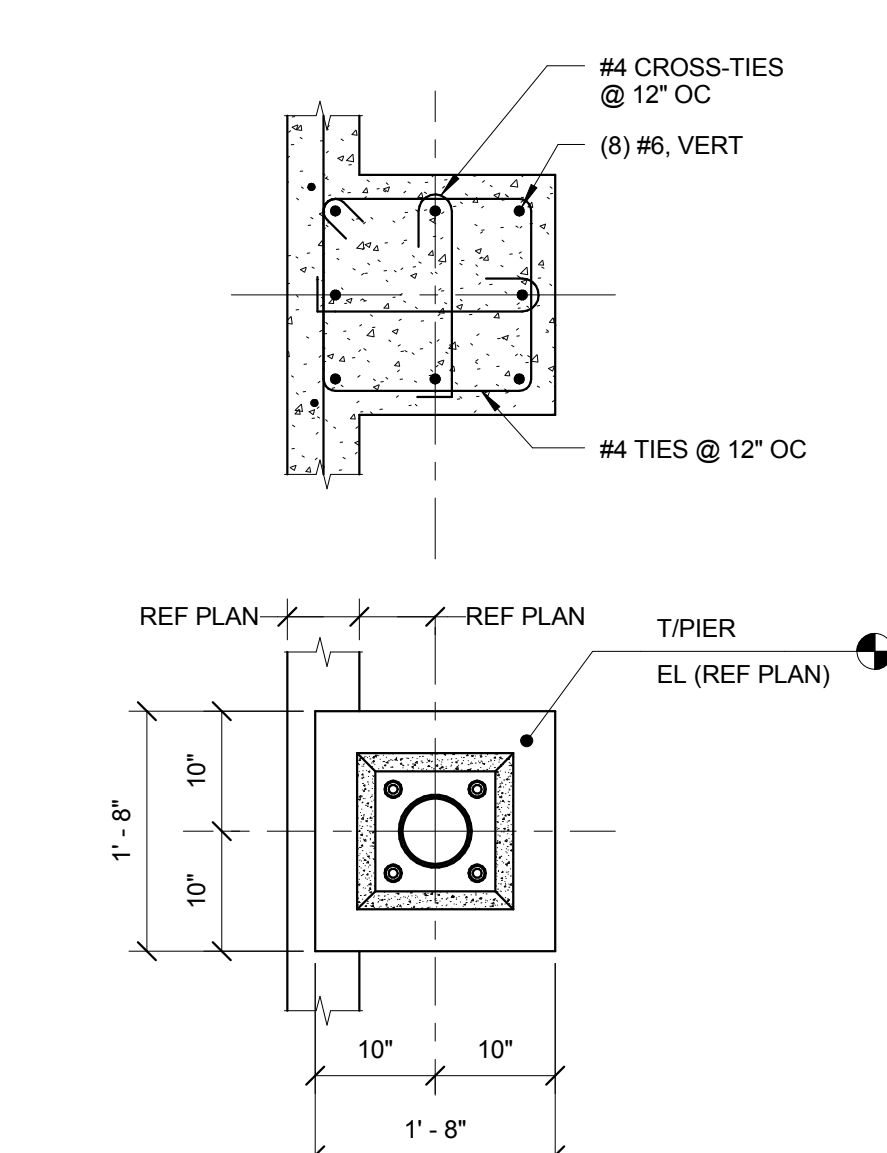
SHEET TITLE:
ALTERNATE BID #1 - PLANS, DETAILS

SHEET NUMBER:
S1.02

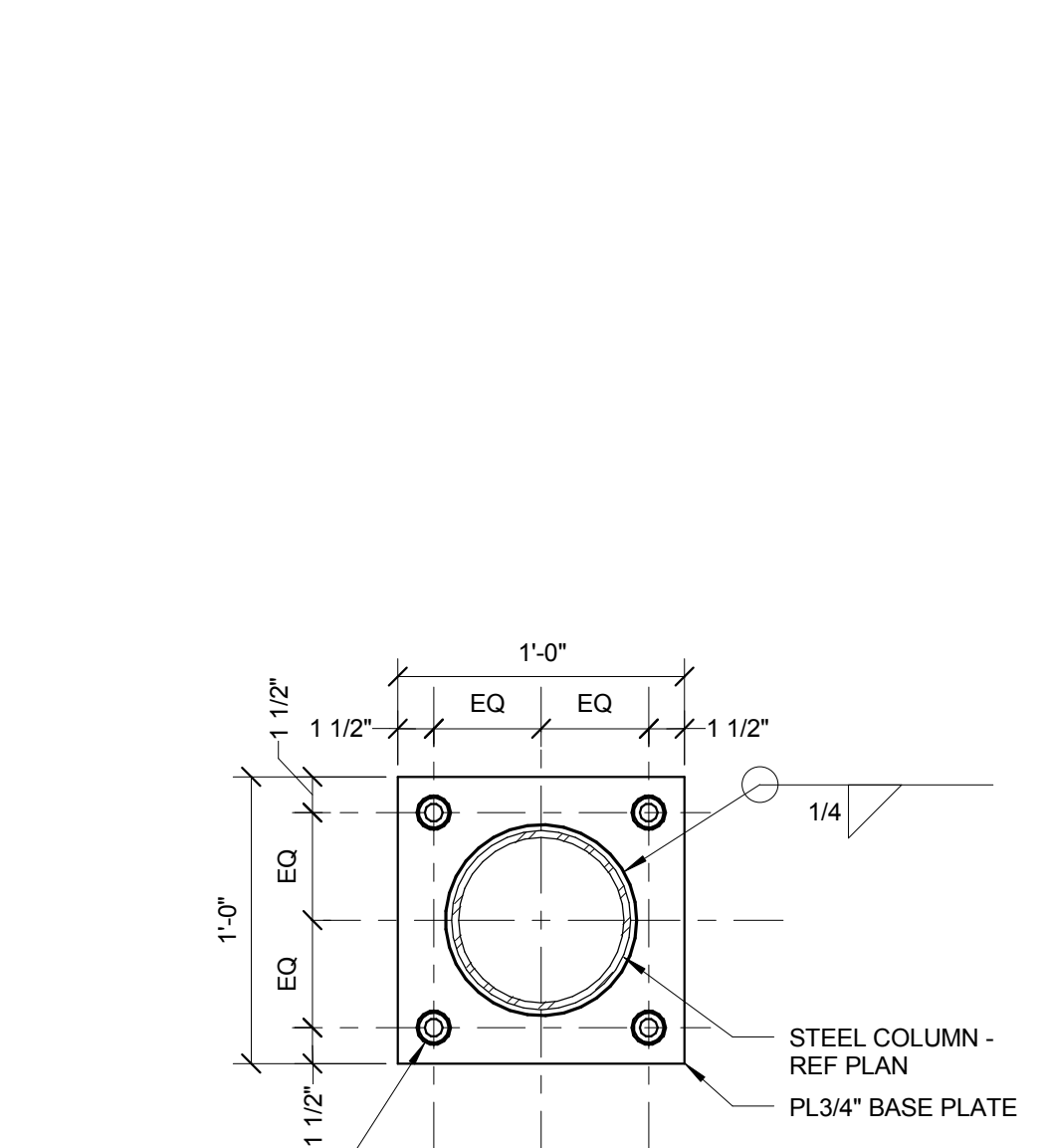
KJWW ENGINEERING CONSULTANTS
 1100 WARRENVILLE ROAD, SUITE 400W
 NAPERVILLE, ILLINOIS 60563
 630.527.2320 FAX: 630.527.2321
 WWW.KJWW.COM
 THE FUTURE IS SMARTER!
 Illinois Design Firm Registration #184-08873
 PROJECT # 14.043.00

KJWW ENGINEERING RESERVES PROPRIETARY RIGHTS, INCLUDING COPYRIGHTS, TO THIS DRAWING AND THE DATA SHOWN THEREON. SAID DRAWING AND/OR DATA ARE THE EXCLUSIVE PROPERTY OF KJWW ENGINEERING AND SHALL NOT BE USED OR REPRODUCED FOR ANY OTHER PROJECT WITHOUT THE EXPRESS WRITTEN APPROVAL AND PARTICIPATION OF KJWW ENGINEERING. © 2015 KJWW, P.C.

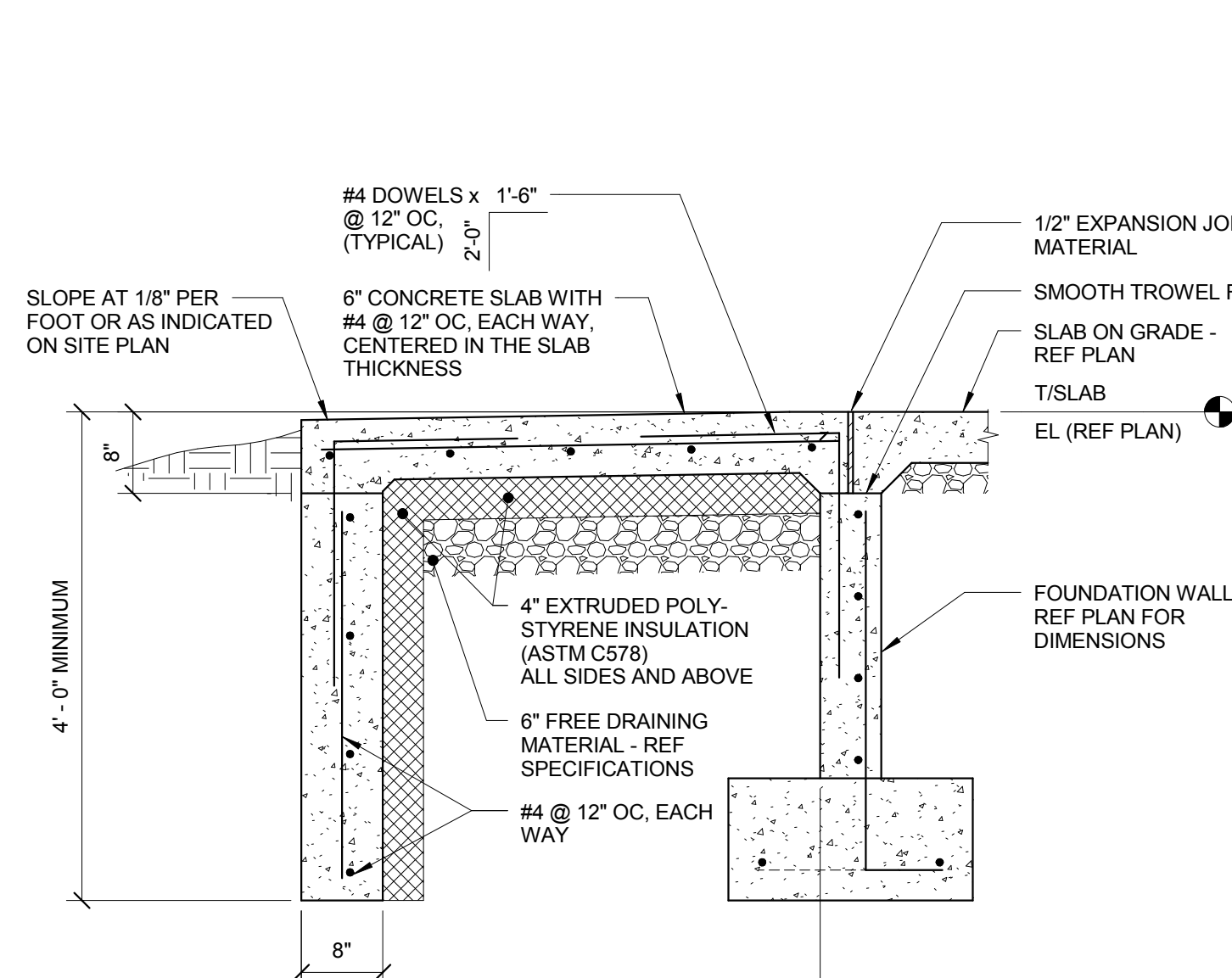
REFERENCE SCALE IN INCHES
 0 1 2 3



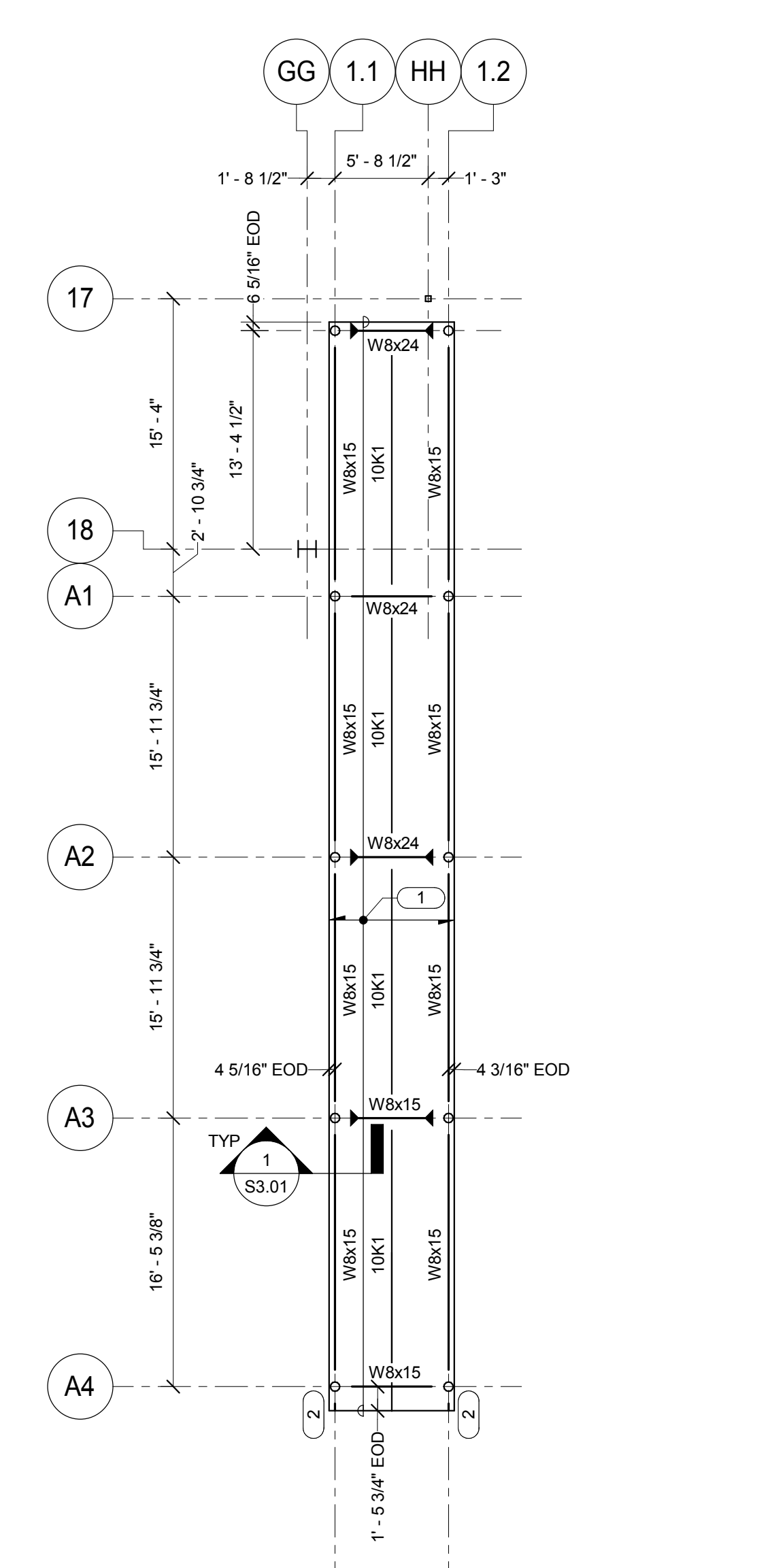
5 PIER (P10) DETAIL
 3/4" = 1'-0"



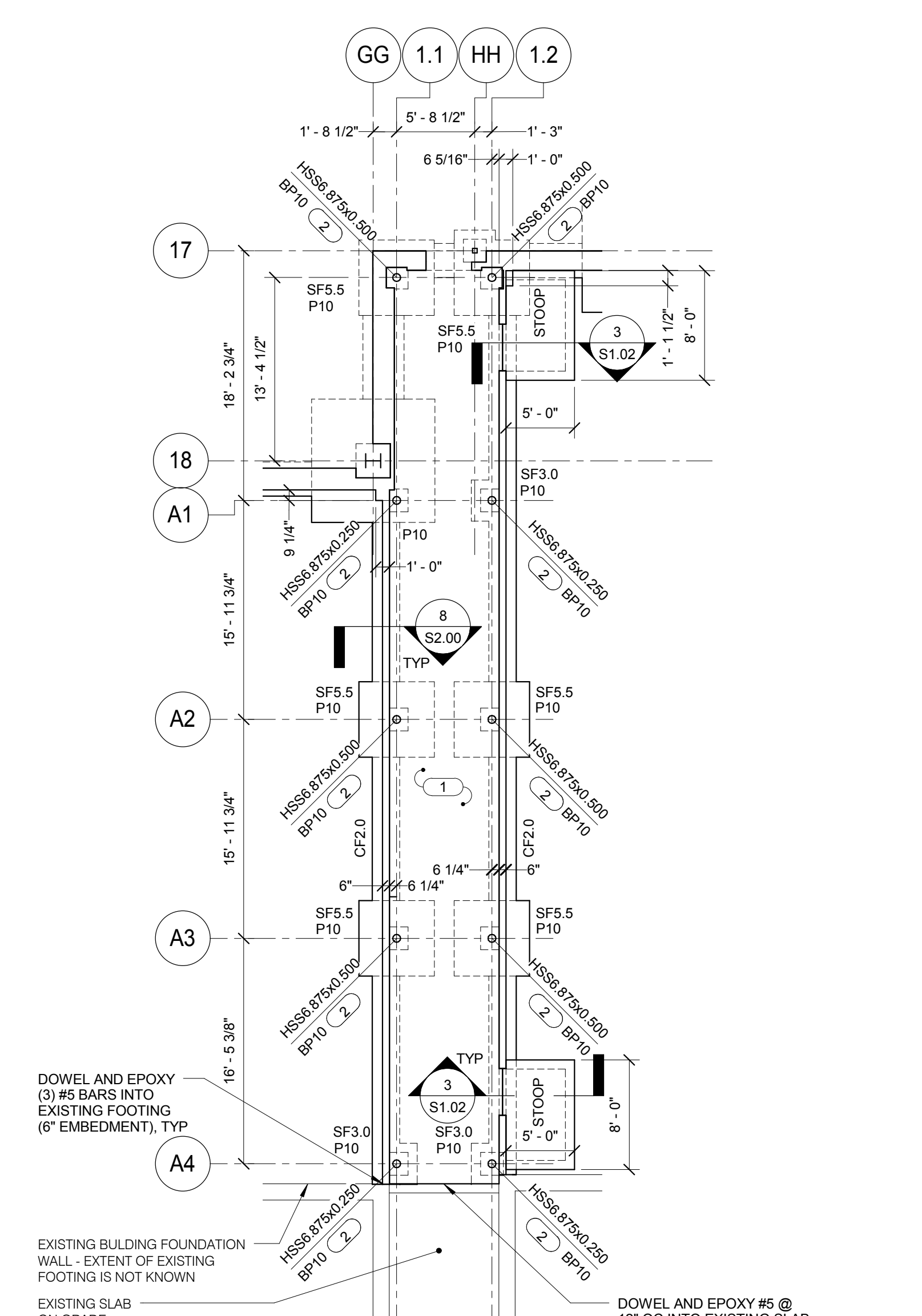
4 BASE PLATE (BP10)
 1/2" = 1'-0"



3 TYPICAL STOOP SECTION
 3/4" = 1'-0"



2 FRAMING PLAN - ALT BID #1
 1/8" = 1'-0"



1 FOUNDATION PLAN - ALT BID #1
 1/8" = 1'-0"

- NOTES:**
- TOP OF FOOTING ELEVATION (-3'-6") UNO.
 - TOP OF FOUNDATION WALL ELEVATION (+0'-0") UNO.
 - TOP OF PIER ELEVATION (-1'-0") UNO.
 - BP# INDICATES BASE PLATE. REFERENCE THIS SHEET FOR ANCHOR RODS AND BASE PLATE DETAILS.
 - P# INDICATES CONCRETE PIER. REFERENCE THIS SHEET FOR DETAILS.
 - SF# AND CF# INDICATES SPREAD AND CONTINUOUS FOOTINGS. REFERENCE S1.11 FOR SCHEDULES.
 - REFER TO 1, 2 AND 3/S2.00 FOR TYPICAL SLAB ON GRADE CONSTRUCTION DETAILS.
 - ALT BID #1 IS NOT IN CONTRACT.
- KEYNOTES:**
- 4" CONCRETE SLAB ON GRADE WITH 6x6 - W2.1xW2.1 WWR.
 - PROVIDE AESS STEEL. REFER TO SPECIFICATIONS FOR AESS CATEGORY.

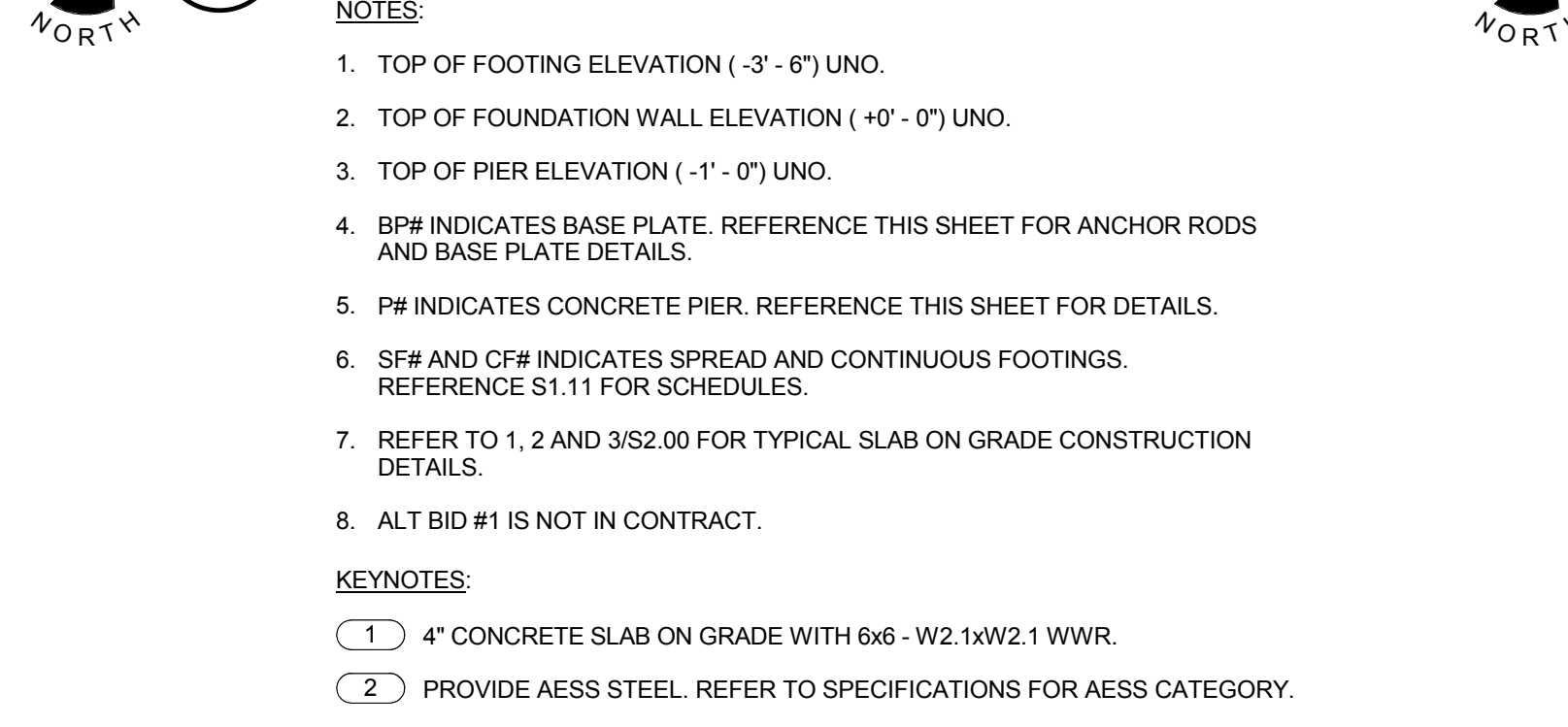
- NOTES:**
- DECK BEARING ELEVATION (+11'-2").
 - REFER TO 1/S3.00 FOR TYPICAL SHEAR CONNECTION.
 - PROVIDE ANGLE FRAMING AROUND OPENING PER 7/S3.01.
 - INDICATES MOMENT CONNECTION PER 12/S3.00.
 - ALT BID #1 IS NOT IN CONTRACT.
- KEYNOTES:**
- 1 1/2" (20 GA) STEEL DECK, 2 SPAN MINIMUM. PROVIDE 3/64 DECK FASTENING PATTERN WITH (1) #10 TEK SCREW SIDELAPS PER SPAN.
 - HSS44x114 OUTRIGGER. PROVIDE ROUND 3/16" FILLET WELD TO HSS CONNECT AT COLUMN.

DOWEL AND EPOXY (3) #5 BARS INTO EXISTING FOOTING (6" EMBEDMENT), TYP

EXISTING BUILDING FOUNDATION WALL - EXTENT OF EXISTING FOOTING IS NOT KNOWN

EXISTING SLAB ON GRADE

DOWEL AND EPOXY #5 @ 12" OC INTO EXISTING SLAB ON GRADE (6" EMBEDMENT)



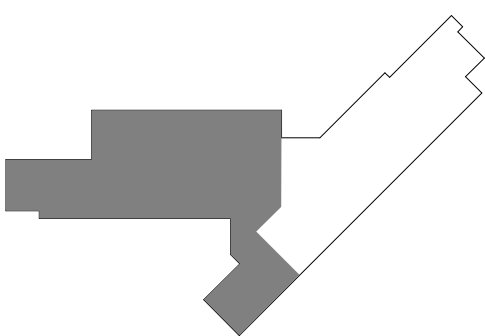


ARCHITECT OF RECORD
DEMONICA KEMPER ARCHITECTS
 125 N. HALSTED STREET, SUITE 301
 CHICAGO, IL 60661
 P: 312.496.0000

STRUCTURAL AND MEP/FP ENGINEERING
KJWW ENGINEERING CONSULTANTS
 1100 WARRENVILLE RD. SUITE 400W
 NAPERVILLE, IL 60563
 P: 630.527.2320

**JOLIET JUNIOR COLLEGE
 ROMEOVILLE CAMPUS EXPANSION**
 1125 135TH ST. ROMEOVILLE, JOLIET, IL 60446
 DKA PROJECT NO: 14-005

KEY PLAN:



SHEET STATUS: 9/21/15

**ISSUED FOR
 CONSTRUCTION**

NO.	DESCRIPTION:	DATE:
1	AS-001	08/25/15

SHEET TITLE:
FOUNDATION PLAN - WEST

SHEET NUMBER:

S1.11

FOUNDATION PLAN - WEST

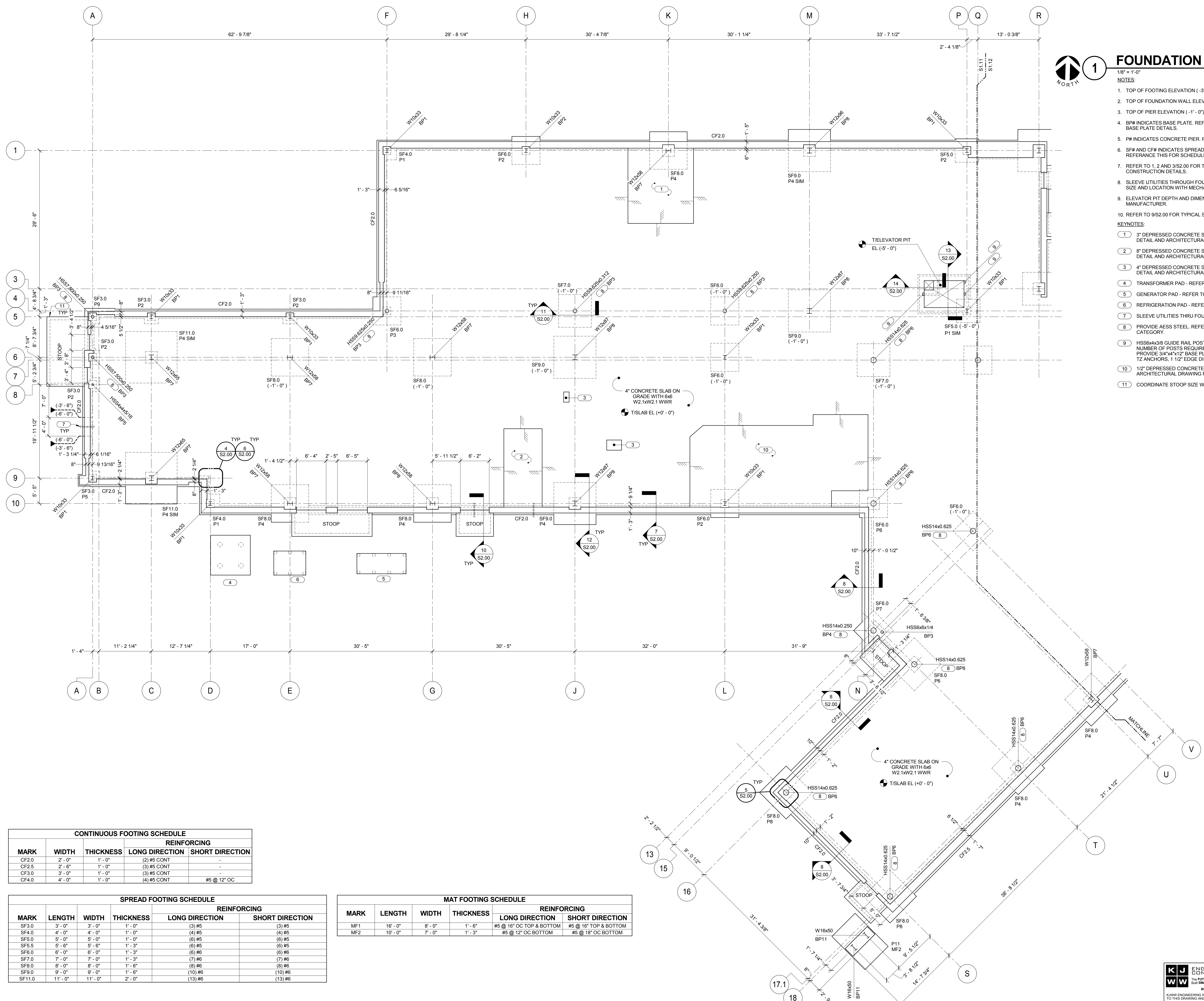
1/8" = 1'-0"

NOTES:

- TOP OF FOOTING ELEVATION (-3'-6") UNO.
- TOP OF FOUNDATION WALL ELEVATION (+0'-0") UNO.
- TOP OF PIER ELEVATION (-1'-0") UNO.
- BP# INDICATES BASE PLATE. REFER TO S2.01 FOR ANCHOR RODS AND BASE PLATE DETAILS.
- P## INDICATES CONCRETE PIER. REFERENCE S2.01 FOR DETAILS.
- SF# AND CF# INDICATES SPREAD AND CONTINUOUS FOOTINGS. REFERENCE THIS FOR SCHEDULES.
- REFER TO 1, 2 AND 3/S2.00 FOR TYPICAL SLAB ON GRADE CONSTRUCTION DETAILS.
- SLEEVE UTILITIES THROUGH FOUNDATION PER 12/S2.01. COORDINATE SIZE AND LOCATION WITH MECHANICAL AND PLUMBING CONTRACTORS.
- ELEVATOR PIT DEPTH AND DIMENSIONS TO BE VERIFIED WITH ELEVATOR MANUFACTURER.
- REFER TO 9/S2.00 FOR TYPICAL STEP IN FOUNDATION WALL DETAIL.

KEYNOTES:

- 3" DERESSED CONCRETE SLAB - REFER TO 13/S2.01 FOR DETAIL AND ARCHITECTURAL FOR EXTENT OF DEPRESSION.
- 8" DERESSED CONCRETE SLAB - REFER TO 13/S2.01 FOR DETAIL AND ARCHITECTURAL FOR EXTENT OF DEPRESSION.
- 4" DERESSED CONCRETE SLAB - REFER TO 13/S2.01 FOR DETAIL AND ARCHITECTURAL FOR EXTENT OF DEPRESSION.
- TRANSFORMER PAD - REFER TO 3/S1.01.
- GENERATOR PAD - REFER TO 2/S1.01.
- REFRIGERATION PAD - REFER TO 2/S1.01.
- SLEEVE UTILITIES THRU FOUNDATION WALL - REFER TO NOTE 8.
- PROVIDE AESS STEEL. REFER TO SPECIFICATIONS FOR AESS CATEGORY.
- HSS#x#x#x# GUIDE RAIL POSTS. COORDINATE LOCATION AND NUMBER OF POSTS REQUIRED WITH ELEVATOR MANUFACTURER. PROVIDE 3/4"x4"x1/2" BASE PLATE WITH (4) 1/2" HILTI KWIK BOLT 1/2" ANCHORS. 1 1/2" EDGE DISTANCE WITH 3/8" EMBEDMENT.
- 1/2" DERESSED CONCRETE SLAB - REFER TO 13/S2.01 AND ARCHITECTURAL DRAWING FOR EXTENT OF DEPRESSION.
- COORDINATE STOOP SIZE WITH SITE PAVING DRAWINGS.



MARK	WIDTH	THICKNESS	REINFORCING	
			LONG DIRECTION	SHORT DIRECTION
CF2.0	2'-0"	1'-0"	(2) #5 CONT	-
CF2.5	2'-6"	1'-0"	(3) #5 CONT	-
CF3.0	3'-0"	1'-0"	(3) #5 CONT	-
CF4.0	4'-0"	1'-0"	(4) #5 CONT	#5 @ 12" OC

MARK	LENGTH	WIDTH	THICKNESS	REINFORCING	
				LONG DIRECTION	SHORT DIRECTION
SF3.0	3'-0"	3'-0"	1'-0"	(3) #5	(3) #5
SF4.0	4'-0"	4'-0"	1'-0"	(4) #5	(4) #5
SF5.0	5'-0"	5'-0"	1'-0"	(5) #5	(5) #5
SF5.5	5'-6"	5'-6"	1'-3"	(6) #5	(6) #5
SF6.0	6'-0"	6'-0"	1'-3"	(6) #6	(6) #6
SF7.0	7'-0"	7'-0"	1'-3"	(7) #6	(7) #6
SF8.0	8'-0"	8'-0"	1'-6"	(8) #6	(8) #6
SF9.0	9'-0"	9'-0"	1'-6"	(10) #6	(10) #6
SF11.0	11'-0"	11'-0"	2'-0"	(13) #6	(13) #6

MARK	LENGTH	WIDTH	THICKNESS	REINFORCING	
				LONG DIRECTION	SHORT DIRECTION
MF1	16'-0"	8'-0"	1'-6"	#5 @ 16" OC TOP & BOTTOM	#5 @ 16" TOP & BOTTOM
MF2	10'-0"	7'-0"	1'-3"	#5 @ 12" OC BOTTOM	#5 @ 18" OC BOTTOM

KJWW ENGINEERING CONSULTANTS
 1100 WARRENVILLE ROAD, SUITE 400W
 NAPERVILLE, IL 60563
 630.527.2320 FAX: 630.627.2321
 WWW.KJWW.COM

KJWW ENGINEERING
 1100 WARRENVILLE ROAD, SUITE 400W
 NAPERVILLE, IL 60563
 630.527.2320 FAX: 630.627.2321
 WWW.KJWW.COM

Block Design Firm Registration #14-000073
 PROJECT # 14-003-00
 KJWW ENGINEERING RESERVES PROPRIETARY RIGHTS, INCLUDING COPYRIGHTS, TO THIS DRAWING AND THE DATA SHOWN THEREON. SUCH DRAWING AND/OR DATA ARE THE EXCLUSIVE PROPERTY OF KJWW ENGINEERING AND SHALL NOT BE USED OR REPRODUCED FOR ANY OTHER PROJECT WITHOUT THE EXPRESS WRITTEN APPROVAL AND PARTICIPATION OF KJWW ENGINEERING. © 2015 KJWW, P.C.

REFERENCE SCALE IN INCHES



ARCHITECT OF RECORD
DEMIONA KEMPER ARCHITECTS
 125 N. HALSTED STREET, SUITE 301
 CHICAGO, IL 60661
 P: 312.496.0000

STRUCTURAL AND MEP/FP ENGINEERING
KJWW ENGINEERING CONSULTANTS
 1100 WARRENVILLE RD, SUITE 400W
 NAPERVILLE, IL 60563
 P: 630.527.2320

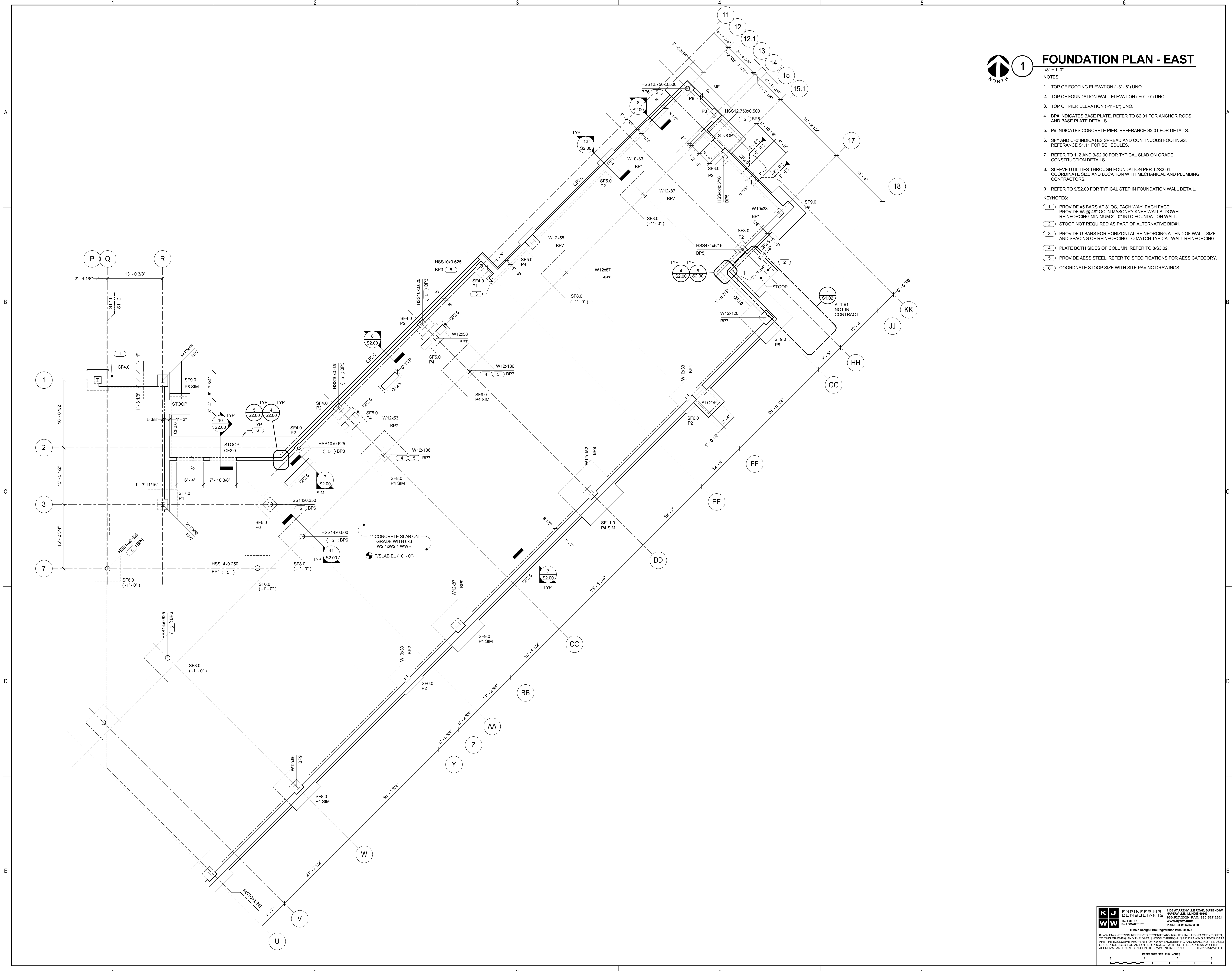
**JOLIET JUNIOR COLLEGE
 ROMEOVILLE CAMPUS EXPANSION**
 1125 135TH ST. ROMEOVILLE, JOLIET, IL 60446
 DKA PROJECT NO: 14-005



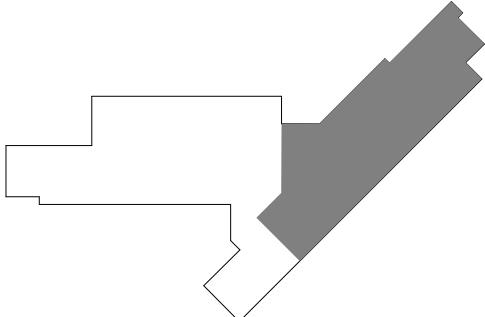
FOUNDATION PLAN - EAST

- 1/8" = 1'-0"
- TOP OF FOOTING ELEVATION (-3'-6") UNO.
 - TOP OF FOUNDATION WALL ELEVATION (+0'-0") UNO.
 - TOP OF PIER ELEVATION (-1'-0") UNO.
 - BP# INDICATES BASE PLATE. REFER TO S2.01 FOR ANCHOR RODS AND BASE PLATE DETAILS.
 - PF# INDICATES CONCRETE PIER. REFERENCE S2.01 FOR DETAILS.
 - SF# AND CF# INDICATES SPREAD AND CONTINUOUS FOOTINGS. REFERENCE S1.11 FOR SCHEDULES.
 - REFER TO 1, 2 AND 3/S2.00 FOR TYPICAL SLAB ON GRADE CONSTRUCTION DETAILS.
 - SLEEVE UTILITIES THROUGH FOUNDATION PER 12/S2.01. COORDINATE SIZE AND LOCATION WITH MECHANICAL AND PLUMBING CONTRACTORS.
 - REFER TO 9/S2.00 FOR TYPICAL STEP IN FOUNDATION WALL DETAIL.

- KEYNOTES:**
- PROVIDE #5 BARS AT 8" OC, EACH WAY, EACH FACE. PROVIDE #5 @ 48" OC IN MASONRY KNEE WALLS. DOWEL REINFORCING MINIMUM 2'-0" INTO FOUNDATION WALL.
 - STOOP NOT REQUIRED AS PART OF ALTERNATIVE BID#1.
 - PROVIDE U-BARS FOR HORIZONTAL REINFORCING AT END OF WALL. SIZE AND SPACING OF REINFORCING TO MATCH TYPICAL WALL REINFORCING.
 - PLATE BOTH SIDES OF COLUMN. REFER TO 8/S3.02.
 - PROVIDE AESS STEEL. REFER TO SPECIFICATIONS FOR AESS CATEGORY.
 - COORDINATE STOOP SIZE WITH SITE PAVING DRAWINGS.



KEY PLAN:



SHEET STATUS: 9/21/15
ISSUED FOR CONSTRUCTION

NO.	DESCRIPTION:	DATE:
1	AS-001	08/25/15

SHEET TITLE:
FOUNDATION PLAN - EAST

SHEET NUMBER:

S1.12

KJWW ENGINEERING CONSULTANTS
 1100 WARRENVILLE ROAD, SUITE 400W
 NAPERVILLE, ILLINOIS 60563
 630.527.2320 FAX: 630.527.2321
 WWW.KJWW.COM

DESIGNER: JIM SMARTER
 PROJECT #: 14.043.00
 Illinois Design Firm Registration #18-00873

KJWW ENGINEERING RESERVES PROPRIETARY RIGHTS, INCLUDING COPYRIGHTS, TO THIS DRAWING AND THE DATA THEREON. SUCH DRAWING AND/OR DATA ARE THE EXCLUSIVE PROPERTY OF KJWW ENGINEERING AND SHALL NOT BE USED OR REPRODUCED FOR ANY OTHER PROJECT WITHOUT THE EXPRESS WRITTEN APPROVAL AND PARTICIPATION OF KJWW ENGINEERING. © 2015 KJWW, P.C.

REFERENCE SCALE IN INCHES
 0 1 2 3



ARCHITECT OF RECORD
DEMONICA KEMPER ARCHITECTS
 125 N. HALSTED STREET, SUITE 301
 CHICAGO, IL 60661
 P: 312.496.0000

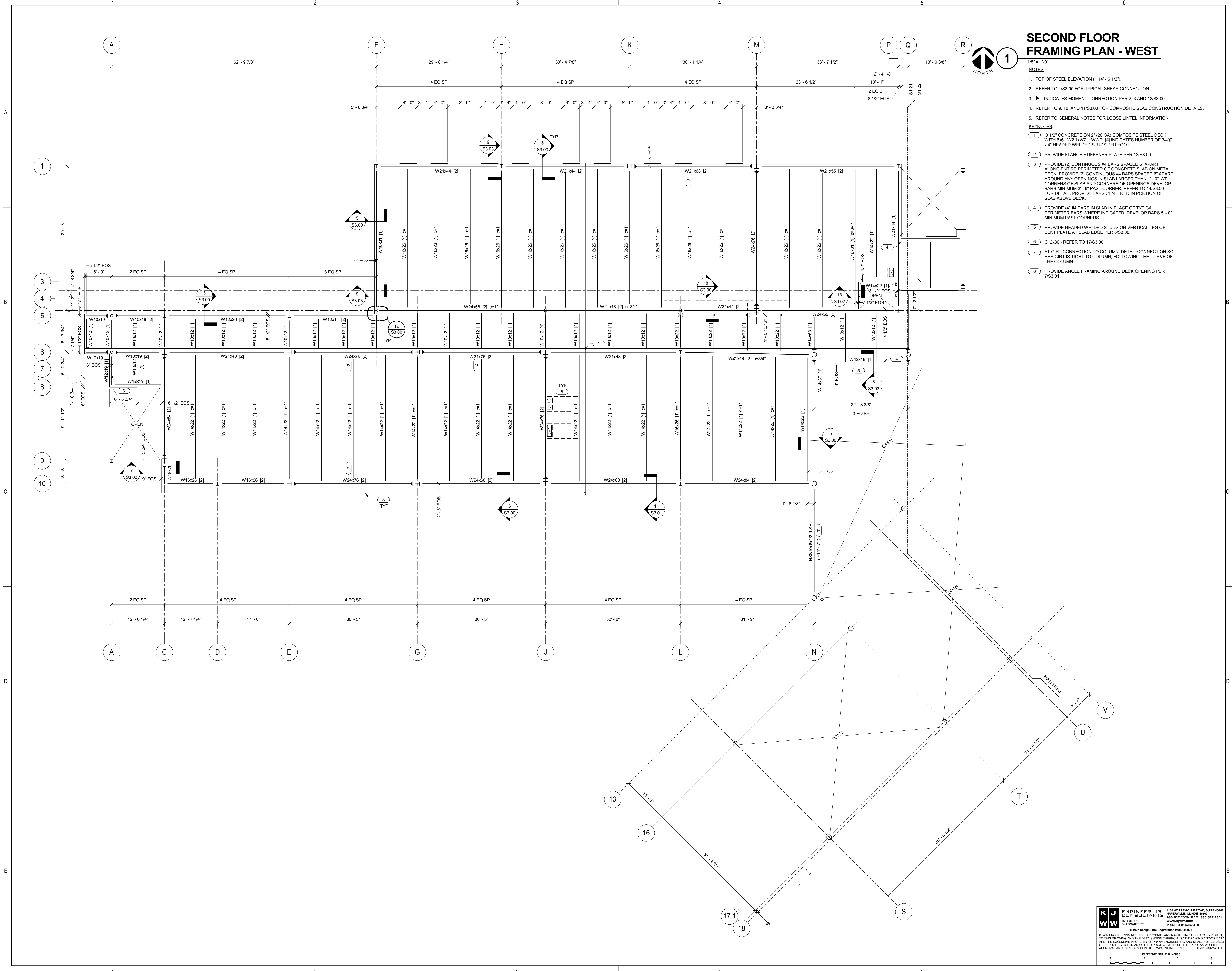
STRUCTURAL AND MEP/F ENGINEERING
KJWW ENGINEERING CONSULTANTS
 1100 WARRENVILLE RD. SUITE 400W
 NAPERVILLE, IL 60563
 P: 630.527.2320

JOLIET JUNIOR COLLEGE
ROMEORVILLE CAMPUS EXPANSION
 1125 135TH ST. ROMEORVILLE, JOLIET, IL 60446
 DKA PROJECT NO: 14-005

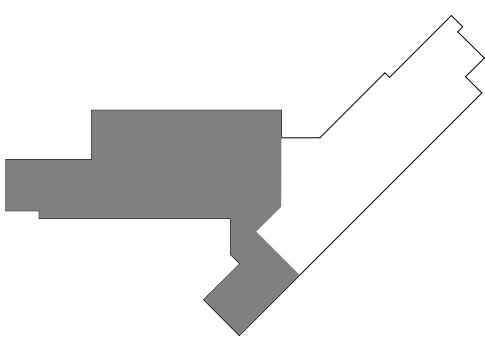
SECOND FLOOR FRAMING PLAN - WEST

- 1/8" = 1'-0"
 NOTES:
 1. TOP OF STEEL ELEVATION (+14' - 6 1/2").
 2. REFER TO 1/S3.00 FOR TYPICAL SHEAR CONNECTION.
 3. INDICATES MOMENT CONNECTION PER 2, 3 AND 12/S3.00.
 4. REFER TO 9, 10, AND 11/S3.00 FOR COMPOSITE SLAB CONSTRUCTION DETAILS.
 5. REFER TO GENERAL NOTES FOR LOOSE INTEL INFORMATION.

- KEYNOTES:
 1. 3 1/2" CONCRETE ON 2" (20 GA) COMPOSITE STEEL DECK WITH 6# - W2.1XW2.1 WWR. #9 INDICATES NUMBER OF 3/4" x 4" HEADED WELDED STUDS PER FOOT.
 2. PROVIDE FLANGE STIFFENER PLATE PER 13/S3.00.
 3. PROVIDE (2) CONTINUOUS #4 BARS SPACED 6" APART ALONG ENTIRE PERIMETER OF CONCRETE SLAB ON METAL DECK. PROVIDE (2) CONTINUOUS #4 BARS SPACED 6" APART AROUND ANY OPENINGS IN SLAB LARGER THAN 1'-0". AT CORNERS OF SLAB AND CORNERS OF OPENINGS DEVELOP BARS MINIMUM 2'-0" PAST CORNER. REFER TO 14/S3.00 FOR DETAIL. PROVIDE BARS CENTERED IN PORTION OF SLAB ABOVE DECK.
 4. PROVIDE (4) #4 BARS IN SLAB IN PLACE OF TYPICAL PERIMETER BARS WHERE INDICATED. DEVELOP BARS 5'-0" MINIMUM PAST CORNERS.
 5. PROVIDE HEADED WELDED STUDS ON VERTICAL LEG OF BENT PLATE AT SLAB EDGE PER 6/S3.00.
 6. C12x30 - REFER TO 17/S3.00.
 7. AT GIRT CONNECTION TO COLUMN, DETAIL CONNECTION SO HSS GIRT IS TIGHT TO COLUMN, FOLLOWING THE CURVE OF THE COLUMN.
 8. PROVIDE ANGLE FRAMING AROUND DECK OPENING PER 7/S3.01.



KEY PLAN:



SHEET STATUS: 9/21/15
ISSUED FOR CONSTRUCTION

NO.	DESCRIPTION:	DATE:

SHEET TITLE:
SECOND FLOOR FRAMING PLAN - WEST

SHEET NUMBER:
S1.21

KJWW ENGINEERING CONSULTANTS
 1100 WARRENVILLE ROAD, SUITE 400W
 NAPERVILLE, ILLINOIS 60563
 630.527.2320 FAX: 630.527.2321
 WWW.KJWW.COM
 PROJECT #: 14.005.00
 DESIGN FIRM REGISTRATION #18-08873

DKA
 125 N. HALSTED STREET, SUITE 301
 CHICAGO, IL 60661
 312.496.0000

KJWW ENGINEERING RESERVES PROPRIETARY RIGHTS, INCLUDING COPYRIGHTS, TO THIS DRAWING AND THE DATA SHOWN THEREON. SUCH DRAWING AND/OR DATA ARE THE EXCLUSIVE PROPERTY OF KJWW ENGINEERING AND SHALL NOT BE USED OR REPRODUCED FOR ANY OTHER PROJECT WITHOUT THE EXPRESS WRITTEN APPROVAL AND PARTICIPATION OF KJWW ENGINEERING. © 2015 KJWW, P.C.

REFERENCE SCALE IN INCHES
 0 1 2 3

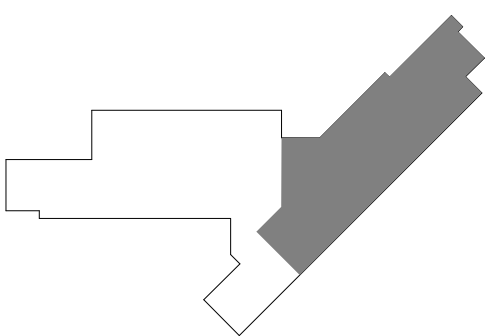


ARCHITECT OF RECORD
DEMONICA KEMPER ARCHITECTS
 125 N. HALSTED STREET, SUITE 301
 CHICAGO, IL 60661
 P: 312.496.0000

STRUCTURAL AND MEP/FP ENGINEERING
KJWW ENGINEERING CONSULTANTS
 1100 WARRENVILLE RD, SUITE 400W
 NAPERVILLE, IL 60563
 P: 630.527.2320

JOLIET JUNIOR COLLEGE
ROMEDEVILLE CAMPUS EXPANSION
 1125 135TH ST. ROMEDEVILLE, JOLIET, IL 60446
 DKA PROJECT NO: 14-005

KEY PLAN:



SHEET STATUS: 9/21/15
ISSUED FOR CONSTRUCTION

NO.	DESCRIPTION:	DATE:

SHEET TITLE:
SECOND FLOOR FRAMING PLAN - EAST

SHEET NUMBER:
S1.22

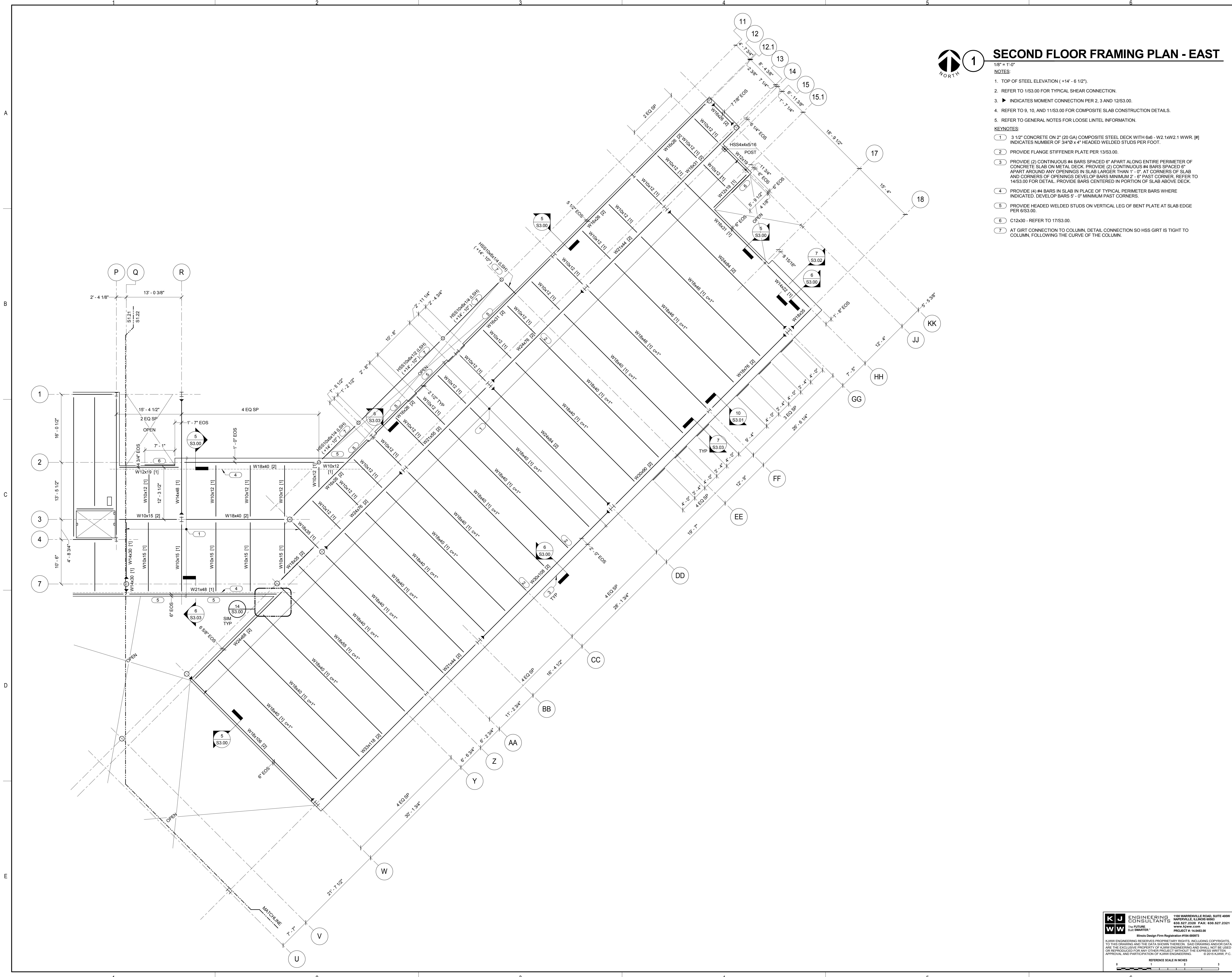


1 SECOND FLOOR FRAMING PLAN - EAST

1/8" = 1'-0"

- NOTES:
- TOP OF STEEL ELEVATION (+14' - 6 1/2").
 - REFER TO 1/S3.00 FOR TYPICAL SHEAR CONNECTION.
 - INDICATES MOMENT CONNECTION PER 2, 3 AND 12/S3.00.
 - REFER TO 9, 10, AND 11/S3.00 FOR COMPOSITE SLAB CONSTRUCTION DETAILS.
 - REFER TO GENERAL NOTES FOR LOOSE LINTEL INFORMATION.

- KEYNOTES:
- 3 1/2" CONCRETE ON 2" (20 GA) COMPOSITE STEEL DECK WITH 6x6 - W2.1xW2.1 WWR. #1 INDICATES NUMBER OF 3/4" x 4" HEADED WELDED STUDS PER FOOT.
 - PROVIDE FLANGE STIFFENER PLATE PER 13/S3.00.
 - PROVIDE (2) CONTINUOUS #4 BARS SPACED 6" APART ALONG ENTIRE PERIMETER OF CONCRETE SLAB ON METAL DECK. PROVIDE (2) CONTINUOUS #4 BARS SPACED 6" APART AROUND ANY OPENINGS IN SLAB LARGER THAN 1'-0". AT CORNERS OF SLAB AND CORNERS OF OPENINGS DEVELOP BARS MINIMUM 2' - 6" PAST CORNER. REFER TO 14/S3.00 FOR DETAIL. PROVIDE BARS CENTERED IN PORTION OF SLAB ABOVE DECK.
 - PROVIDE (4) #4 BARS IN SLAB IN PLACE OF TYPICAL PERIMETER BARS WHERE INDICATED. DEVELOP BARS 5' - 0" MINIMUM PAST CORNERS.
 - PROVIDE HEADED WELDED STUDS ON VERTICAL LEG OF BENT PLATE AT SLAB EDGE PER 6/S3.00.
 - C12x30 - REFER TO 17/S3.00.
 - AT GIRT CONNECTION TO COLUMN. DETAIL CONNECTION SO HSS GIRT IS TIGHT TO COLUMN, FOLLOWING THE CURVE OF THE COLUMN.



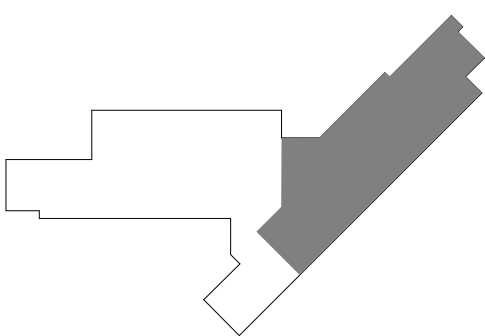


ARCHITECT OF RECORD
DEMIONA KEMPER ARCHITECTS
 125 N. HALSTED STREET, SUITE 301
 CHICAGO, IL 60661
 P: 312.496.0000

STRUCTURAL AND MEP/FP ENGINEERING
KJWW ENGINEERING CONSULTANTS
 1100 WARRENVILLE RD, SUITE 400W
 NAPERVILLE, IL 60563
 P: 630.527.2320

JOLIET JUNIOR COLLEGE
ROMEIOVILLE CAMPUS EXPANSION
 1125 135TH ST. ROMEIOVILLE, JOLIET, IL 60446
 DKA PROJECT NO: 14-005

KEY PLAN:



SHEET STATUS: 9/21/15

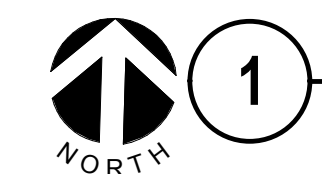
ISSUED FOR CONSTRUCTION

NO.	DESCRIPTION	DATE
2	REVISION PLACE HOLDER	###/###/###

SHEET TITLE:
SECOND/LOW ROOF FRAMING PLAN

SHEET NUMBER:

S1.23



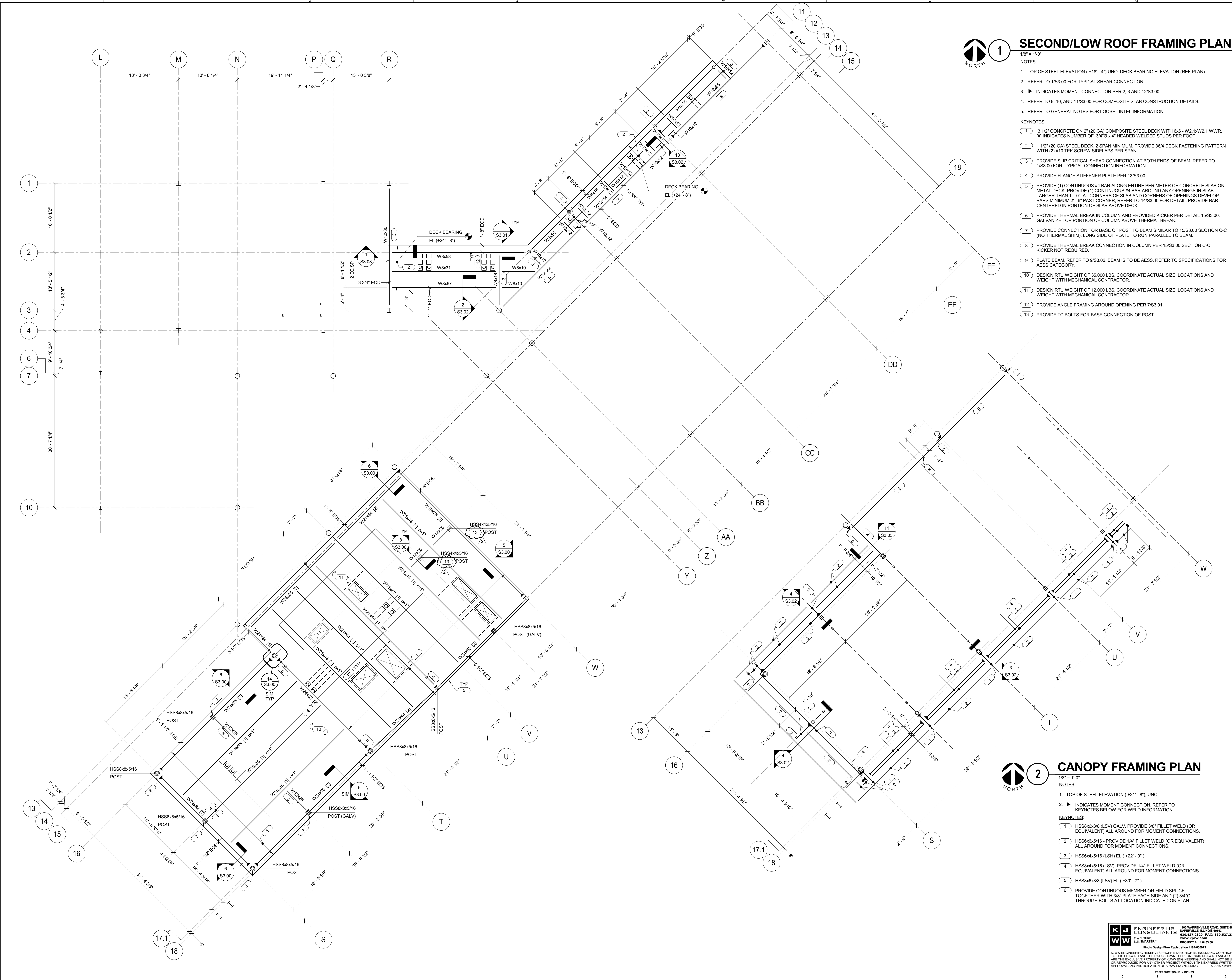
1 SECOND/LOW ROOF FRAMING PLAN

- 1/8" = 1'-0"
 NOTES:
 1. TOP OF STEEL ELEVATION (+18'-4") UNO. DECK BEARING ELEVATION (REF PLAN).
 2. REFER TO 1/S3.00 FOR TYPICAL SHEAR CONNECTION.
 3. ► INDICATES MOMENT CONNECTION PER 2, 3 AND 12/S3.00.
 4. REFER TO 9, 10, AND 11/S3.00 FOR COMPOSITE SLAB CONSTRUCTION DETAILS.
 5. REFER TO GENERAL NOTES FOR LOOSE LINTEL INFORMATION.
- KEYNOTES:
 1. 3 1/2" CONCRETE ON 2" (20 GA) COMPOSITE STEEL DECK WITH 6x6 - W2.1xW2.1 WWR. (N) INDICATES NUMBER OF 3/4"x4" HEADED WELDED STUDS PER FOOT.
 2. 1 1/2" (20 GA) STEEL DECK, 2 SPAN MINIMUM. PROVIDE 38/4 DECK FASTENING PATTERN WITH (2) #10 TEK SCREW SIDELAPS PER SPAN.
 3. PROVIDE SLIP CRITICAL SHEAR CONNECTION AT BOTH ENDS OF BEAM. REFER TO 1/S3.00 FOR TYPICAL CONNECTION INFORMATION.
 4. PROVIDE FLANGE STIFFENER PLATE PER 13/S3.00.
 5. PROVIDE (1) CONTINUOUS #4 BAR ALONG ENTIRE PERIMETER OF CONCRETE SLAB ON METAL DECK. PROVIDE (1) CONTINUOUS #4 BAR AROUND ANY OPENINGS IN SLAB LARGER THAN 1'-0". AT CORNERS OF SLAB AND CORNERS OF OPENINGS DEVELOP BARS MINIMUM 2'-6" PAST CORNER. REFER TO 14/S3.00 FOR DETAIL. PROVIDE BAR CENTERED IN PORTION OF SLAB ABOVE DECK.
 6. PROVIDE THERMAL BREAK IN COLUMN AND PROVIDE KICKER PER DETAIL 15/S3.00. GALVANIZE TOP PORTION OF COLUMN ABOVE THERMAL BREAK.
 7. PROVIDE CONNECTION FOR BASE OF POST TO BEAM SIMILAR TO 15/S3.00 SECTION C-C (NO THERMAL SHIM). LONG SIDE OF PLATE TO RUN PARALLEL TO BEAM.
 8. PROVIDE THERMAL BREAK CONNECTION IN COLUMN PER 15/S3.00 SECTION C-C. KICKER NOT REQUIRED.
 9. PLATE BEAM. REFER TO 9/S3.02. BEAM IS TO BE AESS. REFER TO SPECIFICATIONS FOR AESS CATEGORY.
 10. DESIGN RTU WEIGHT OF 35,000 LBS. COORDINATE ACTUAL SIZE, LOCATIONS AND WEIGHT WITH MECHANICAL CONTRACTOR.
 11. DESIGN RTU WEIGHT OF 12,000 LBS. COORDINATE ACTUAL SIZE, LOCATIONS AND WEIGHT WITH MECHANICAL CONTRACTOR.
 12. PROVIDE ANGLE FRAMING AROUND OPENING PER 7/S3.01.
 13. PROVIDE TC BOLTS FOR BASE CONNECTION OF POST.



2 CANOPY FRAMING PLAN

- 1/8" = 1'-0"
 NOTES:
 1. TOP OF STEEL ELEVATION (+21'-8") UNO.
 2. ► INDICATES MOMENT CONNECTION. REFER TO KEYNOTES BELOW FOR WELD INFORMATION.
- KEYNOTES:
 1. HSS8x8x5/16 (LSV) GALV. PROVIDE 3/8" FILLET WELD (OR EQUIVALENT) ALL AROUND FOR MOMENT CONNECTIONS.
 2. HSS8x8x5/16 - PROVIDE 1/4" FILLET WELD (OR EQUIVALENT) ALL AROUND FOR MOMENT CONNECTIONS.
 3. HSS6x4x5/16 (LSH) EL (+22'-0").
 4. HSS6x4x5/16 (LSV). PROVIDE 1/4" FILLET WELD (OR EQUIVALENT) ALL AROUND FOR MOMENT CONNECTIONS.
 5. HSS8x8x3/8 (LSV) EL (+30'-7").
 6. PROVIDE CONTINUOUS MEMBER OR FIELD SPLICE TOGETHER WITH 3/8" PLATE EACH SIDE AND (2) 3/4"x3 THROUGH BOLTS AT LOCATION INDICATED ON PLAN.





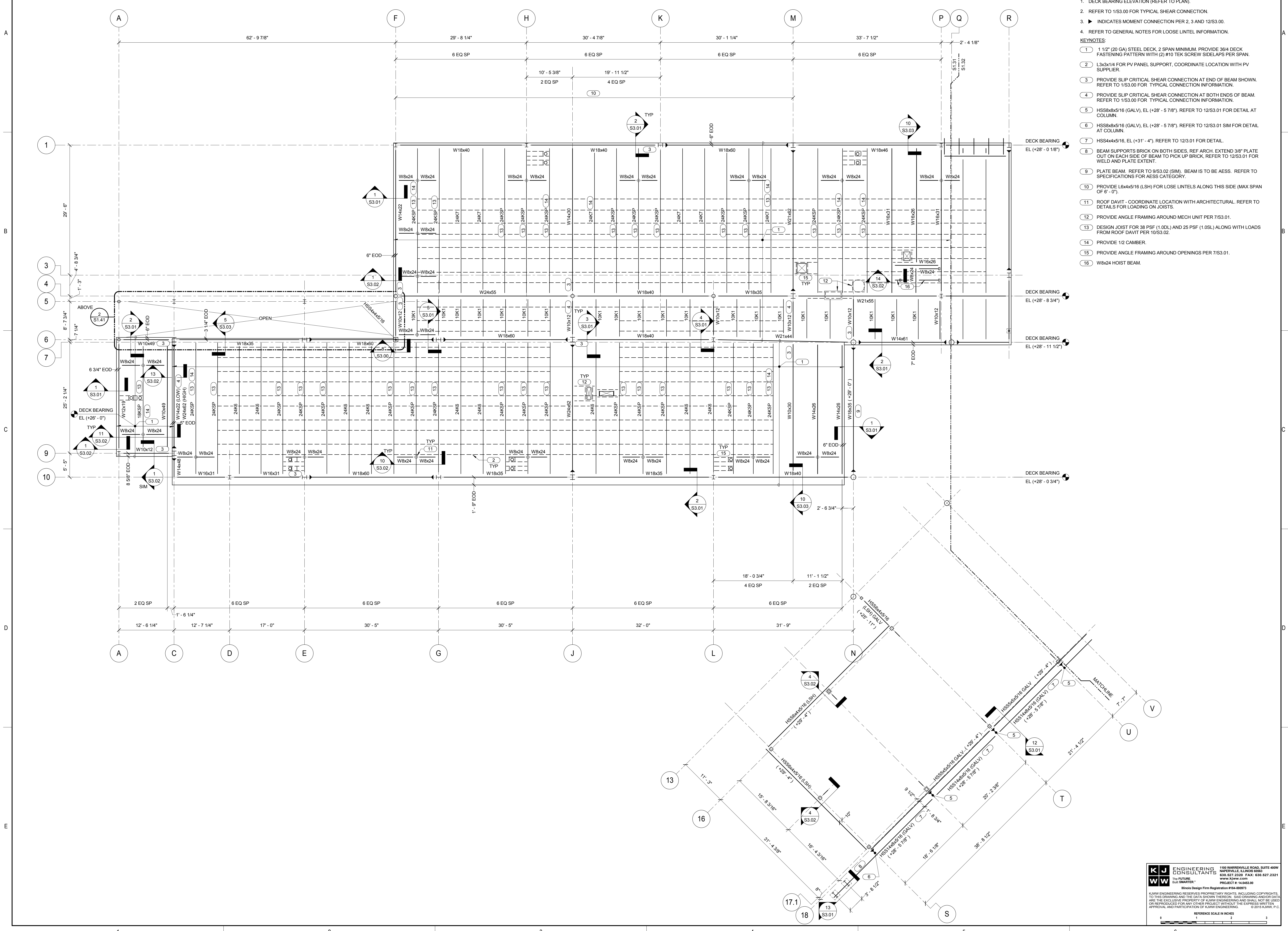
ARCHITECT OF RECORD
DEMONICA KEMPER ARCHITECTS
 125 N. HALSTED STREET, SUITE 301
 CHICAGO, IL 60661
 P: 312.496.0000

STRUCTURAL AND MEP/FP ENGINEERING
KJWW ENGINEERING CONSULTANTS
 1100 WARRENVILLE RD, SUITE 400W
 NAPERVILLE, IL 60563
 P: 630.527.2320

**JOLIET JUNIOR COLLEGE
 ROMEOVILLE CAMPUS EXPANSION**
 1125 135TH ST. ROMEOVILLE, JOLIET, IL 60446
 DKA PROJECT NO: 14-005

1 ROOF FRAMING PLAN - WEST

- 1/8" = 1'-0"
 NOTES:
 1. DECK BEARING ELEVATION (REFER TO PLAN).
 2. REFER TO 1/S3.00 FOR TYPICAL SHEAR CONNECTION.
 3. ► INDICATES MOMENT CONNECTION PER 2, 3 AND 12/S3.00.
 4. REFER TO GENERAL NOTES FOR LOOSE LINTEL INFORMATION.
 KEYNOTES:
 1 1 1/2" (20 GA) STEEL DECK, 2 SPAN MINIMUM. PROVIDE 3/8" DECK FASTENING PATTERN WITH (2) #10 TEK SCREW SIDELAPS PER SPAN.
 2 L3x3x1/4 FOR PV PANEL SUPPORT. COORDINATE LOCATION WITH PV SUPPLIER.
 3 PROVIDE SLIP CRITICAL SHEAR CONNECTION AT END OF BEAM SHOWN. REFER TO 1/S3.00 FOR TYPICAL CONNECTION INFORMATION.
 4 PROVIDE SLIP CRITICAL SHEAR CONNECTION AT BOTH ENDS OF BEAM. REFER TO 1/S3.00 FOR TYPICAL CONNECTION INFORMATION.
 5 HSS8x8x5/16 (GALV), EL (+28' - 5'7/8"). REFER TO 12/S3.01 FOR DETAIL AT COLUMN.
 6 HSS8x8x5/16 (GALV), EL (+28' - 5'7/8"). REFER TO 12/S3.01 SIM FOR DETAIL AT COLUMN.
 7 HSS4x4x5/16, EL (+31' - 4"). REFER TO 12/3.01 FOR DETAIL.
 8 BEAM SUPPORTS BRICK ON BOTH SIDES. REF ARCH. EXTEND 3/8" PLATE OUT ON EACH SIDE OF BEAM TO PICK UP BRICK. REFER TO 12/S3.01 FOR WELD AND PLATE EXTENT.
 9 PLATE BEAM. REFER TO 9/S3.02 (SIM). BEAM IS TO BE AESS. REFER TO SPECIFICATIONS FOR AESS CATEGORY.
 10 PROVIDE L6x4x5/16 (LSH) FOR LOSE LINTELS ALONG THIS SIDE (MAX SPAN OF 6' - 0").
 11 ROOF DAVIT - COORDINATE LOCATION WITH ARCHITECTURAL. REFER TO DETAILS FOR LOADING ON JOISTS.
 12 PROVIDE ANGLE FRAMING AROUND MECH UNIT PER 7/S3.01.
 13 DESIGN JOIST FOR 38 PSF (1.0DL) AND 25 PSF (1.0SL) ALONG WITH LOADS FROM ROOF DAVIT PER 10/S3.02.
 14 PROVIDE 1/2 CAMBER.
 15 PROVIDE ANGLE FRAMING AROUND OPENINGS PER 7/S3.01.
 16 W8x24 HOIST BEAM.



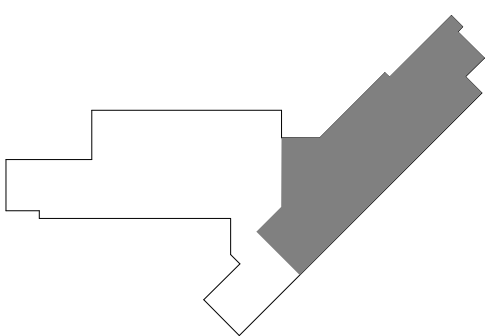


ARCHITECT OF RECORD
DEMONICA KEMPER ARCHITECTS
 125 N. HALSTED STREET, SUITE 301
 CHICAGO, IL 60661
 P: 312.496.0000

STRUCTURAL AND MEP/FP ENGINEERING
KJWW ENGINEERING CONSULTANTS
 1100 WARRENVILLE RD. SUITE 400W
 NAPERVILLE, IL 60563
 P: 630.527.2320

**JOLIET JUNIOR COLLEGE
 ROMEOVILLE CAMPUS EXPANSION**
 1125 135TH ST. ROMEOVILLE, JOLIET, IL 60446
 DKA PROJECT NO: 14-005

KEY PLAN:



SHEET STATUS: 9/21/15

**ISSUED FOR
 CONSTRUCTION**

NO.	DESCRIPTION:	DATE:

SHEET TITLE:
**ROOF FRAMING PLAN
 - EAST**

SHEET NUMBER:

S1.32



1 ROOF FRAMING PLAN - EAST

1/8" = 1'-0"

- NOTES:
- DECK BEARING ELEVATION (REFER TO PLAN).
 - REFER TO 1S3.00 FOR TYPICAL SHEAR CONNECTION.
 - ▶ INDICATES MOMENT CONNECTION PER 2, 3 AND 12S3.00.
 - PROVIDE ANGLE FRAMING AROUND OPENINGS PER 7S3.01.
 - REFER TO GENERAL NOTES FOR LOOSE LINTEL INFORMATION.
- KEYNOTES:
- 1 1/2" (20 GA) STEEL DECK, 2 SPAN MINIMUM. PROVIDE 364 DECK FASTENING PATTERN WITH (2) #10 TEK SCREW SIDELAPS PER SPAN.
 - DECK BEARING ELEVATION (+28'-0").
 - PROVIDE SLIP CRITICAL SHEAR CONNECTION AT END OF BEAM SHOWN. REFER TO 1S3.00 FOR TYPICAL CONNECTION INFORMATION.
 - HSS8x8x5/16 (GALV), EL (+27'-0 3/4"), REFER TO 12S3.01 FOR DETAIL AT COLUMN.
 - HSS8x8x5/16 (GALV), EL (+27'-0 3/4"), REFER TO 12S3.01 FOR DETAIL AT COLUMN.
 - HSS POST SITS ON W12x26 BELOW, AND SUPPORTS END OF W10x12 ABOVE.
 - HSS4x4x2/16 HANGER WITH TC BOLTS.
 - HSS4x4x5/16, EL (+31'-4"). REFER TO 12S3.01 FOR DETAIL.
 - BEAM SUPPORTS ROOF AND HIGH ROOF. REFER TO HIGH ROOF PLAN FOR BEAM TAG.
 - W10x12 (SLOPES).
 - C6x13, EL (+27'-0 1/8").
 - ROOF DAVIT - COORDINATE LOCATION WITH ARCHITECTURAL. REFER TO DETAILS FOR LOADING ON JOISTS.
 - DESIGN RTU WEIGHT OF 9,000 LBS. COORDINATE ACTUAL SIZE, LOCATIONS AND WEIGHT WITH MECHANICAL CONTRACTOR.
 - DESIGN JOIST FOR 38 PSF (1.0DL) AND 25 PSF (1.0SL) ALONG WITH LOADS FROM ROOF DAVIT PER 10S3.02.
 - DESIGN JOIST FOR 28 PSF (1.0DL) AND 25 PSF (1.0SL) ALONG WITH LOADS FROM ROOF DAVIT PER 10S3.02.
 - PROVIDE 1/2 CAMBER.
 - PROVIDE 3/4"Ø RODS AT PHYSICS LAB. HANG FROM STRUCTURE ABOVE WITH 3/4"Ø RODS ATTACHED TO L4x4x1/4 ANGLES SPANNING BETWEEN BEAMS. PROVIDE (4) L4x4x1/4 KICKERS IN EACH DIRECTION. REFER TO ARCH DRAWINGS FOR SIZE AND LOCATION.

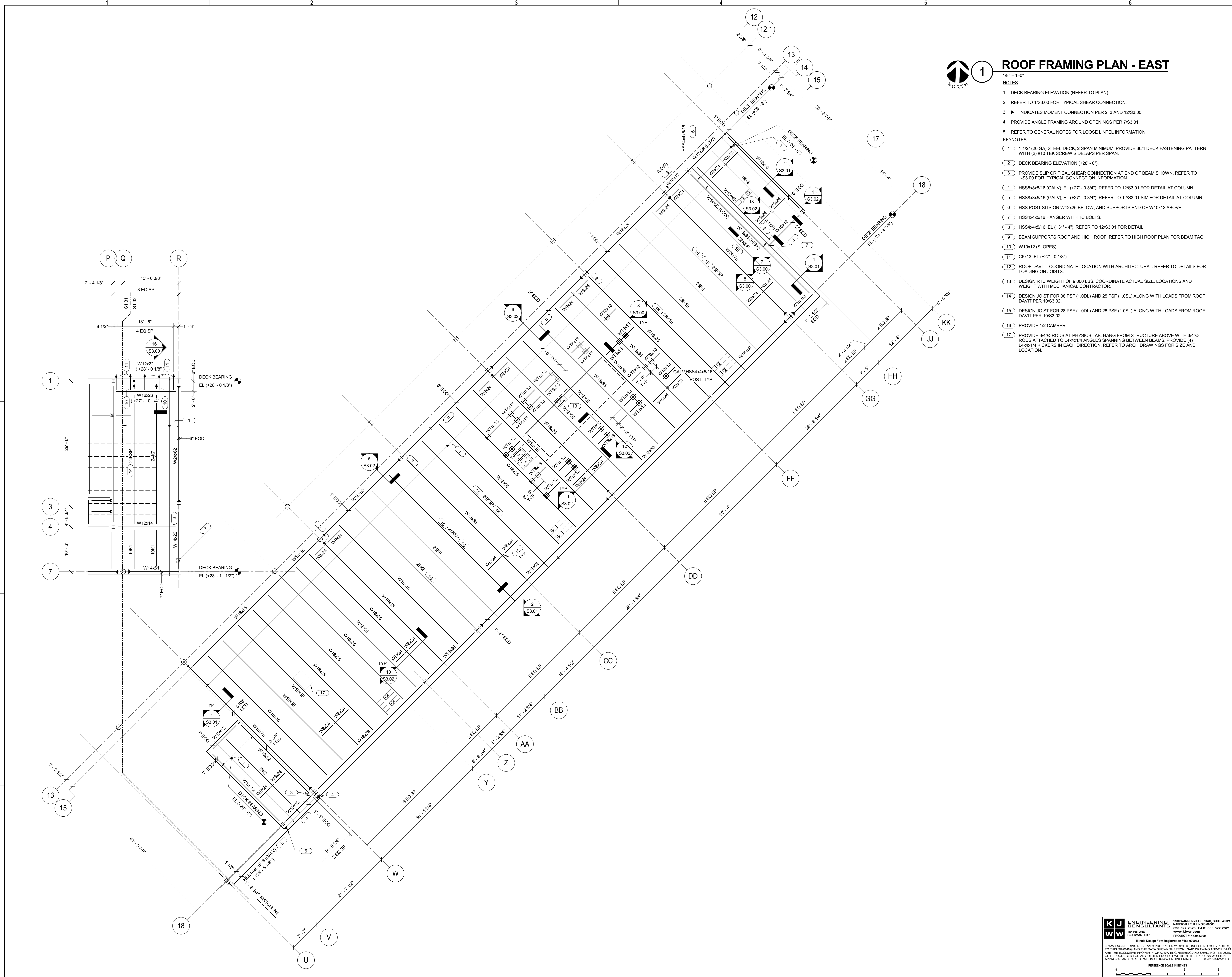
KJWW ENGINEERING CONSULTANTS
 1100 WARRENVILLE ROAD, SUITE 400W
 NAPERVILLE, IL 60563
 630.527.2320 FAX: 630.527.2321
 WWW.KJWW.COM

WJW ENGINEERING
 1100 WARRENVILLE ROAD, SUITE 400W
 NAPERVILLE, IL 60563
 630.527.2320 FAX: 630.527.2321
 WWW.WJW.COM

DESIGNER: PROJECT # 14-005-00
 DESIGN DATE: 9/21/15

KJWW ENGINEERING RESERVES PROPRIETARY RIGHTS, INCLUDING COPYRIGHTS, TO THIS DRAWING AND THE DATA SHOWN THEREON. SAID DRAWING AND/OR DATA ARE THE EXCLUSIVE PROPERTY OF KJWW ENGINEERING AND SHALL NOT BE USED OR REPRODUCED FOR ANY OTHER PROJECT WITHOUT THE EXPRESS WRITTEN APPROVAL AND PARTICIPATION OF KJWW ENGINEERING. © 2015 KJWW, P.C.

REFERENCE SCALE IN INCHES
 0 1 2 3





ARCHITECT OF RECORD
DEMONICA KEMPER ARCHITECTS
 125 N. HALSTED STREET, SUITE 301
 CHICAGO, IL 60661
 P: 312.496.0000

STRUCTURAL AND MEP/FP ENGINEERING
KJWW ENGINEERING CONSULTANTS
 1100 WARRENVILLE RD, SUITE 400W
 NAPERVILLE, IL 60563
 P: 630.527.2320

JOLIET JUNIOR COLLEGE
ROMEIOVILLE CAMPUS EXPANSION
 1125 135TH ST. ROMEIOVILLE, JOLIET, IL 60446
 DKA PROJECT NO: 14-005

KEY PLAN:

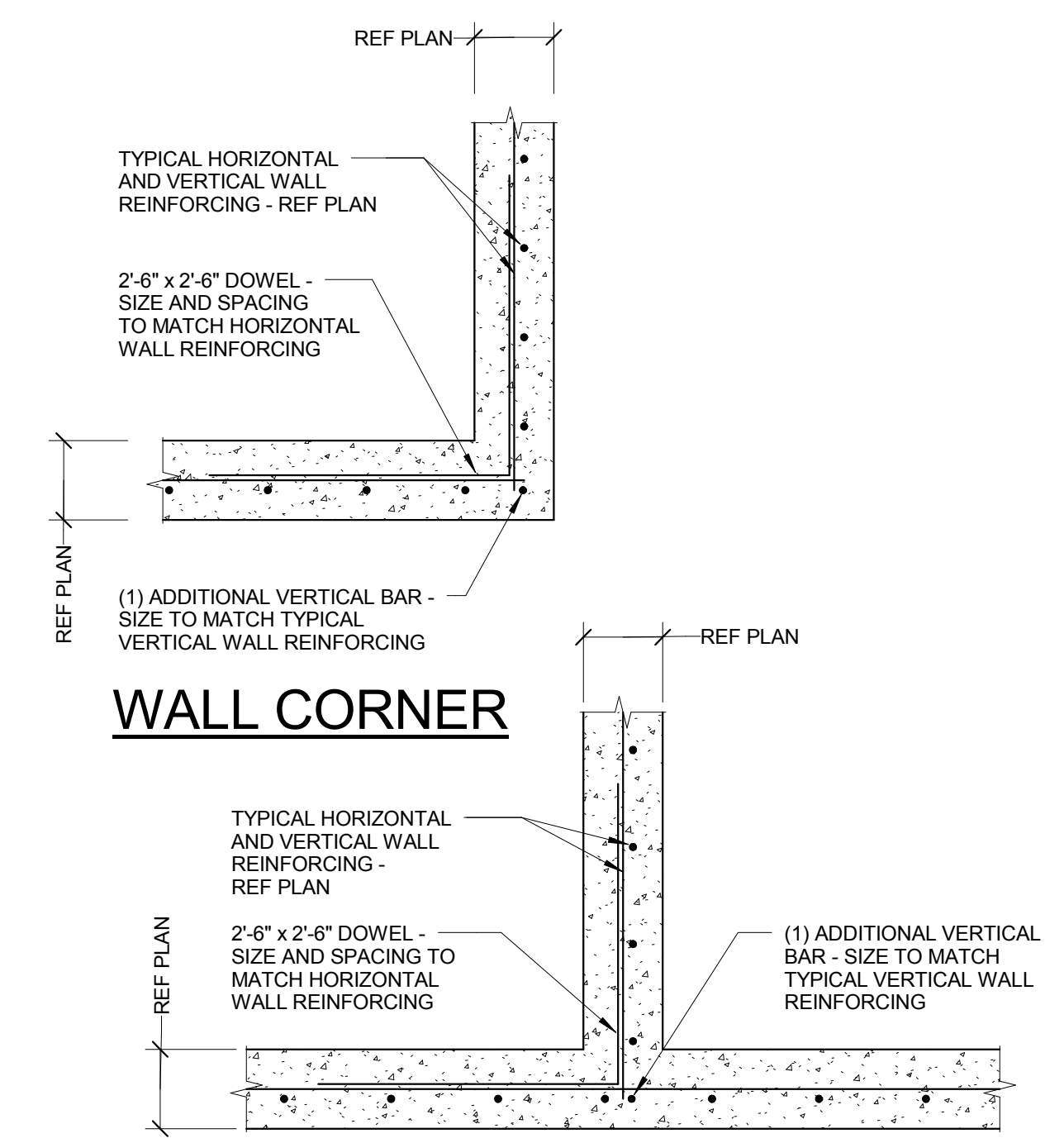
SHEET STATUS: 9/21/15

ISSUED FOR CONSTRUCTION

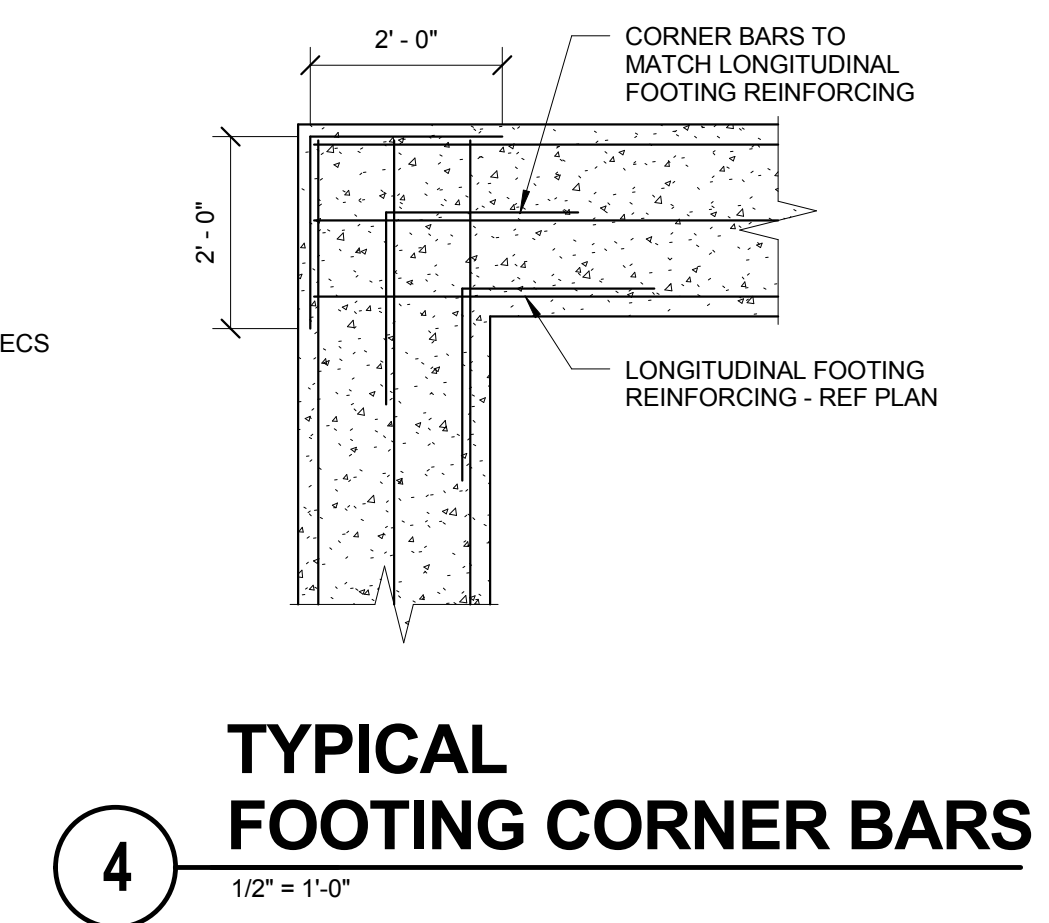
NO.	DESCRIPTION:	DATE:

SHEET TITLE:
FOUNDATION DETAILS

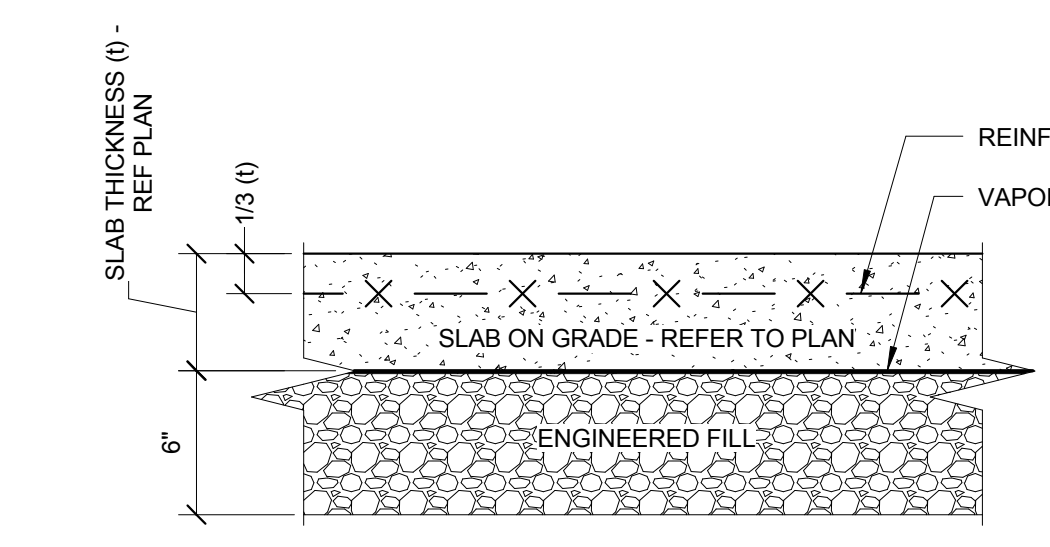
SHEET NUMBER:
S2.00



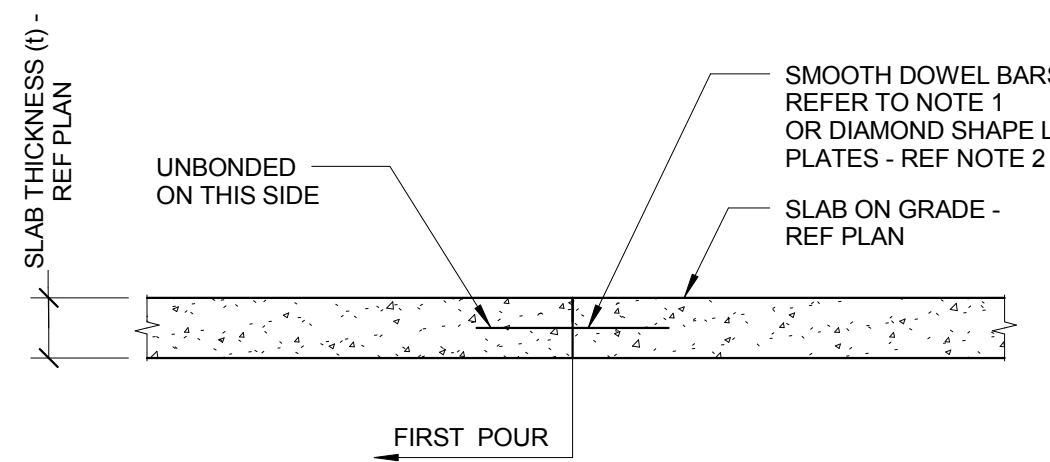
5 TYPICAL CONCRETE WALL DETAIL
 3/4" = 1'-0"



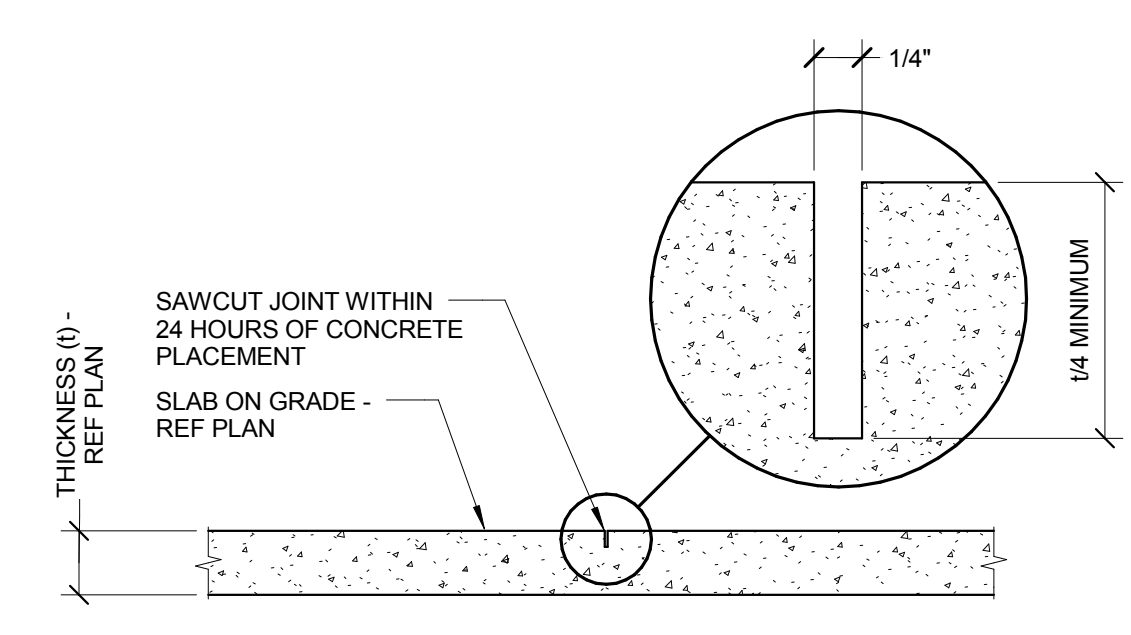
4 TYPICAL FOOTING CORNER BARS
 1/2" = 1'-0"



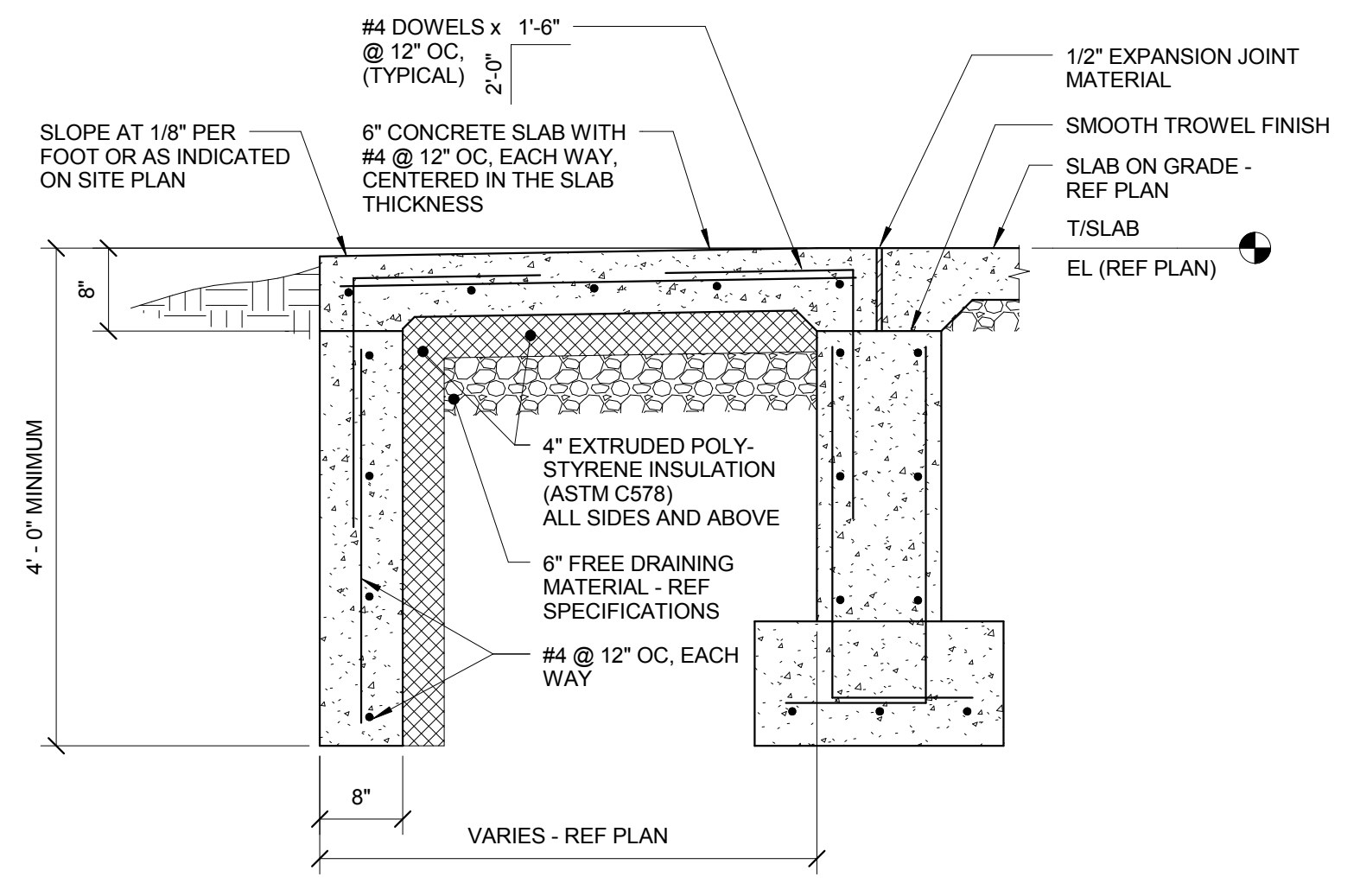
3 TYPICAL SLAB ON GRADE SECTION
 1 1/2" = 1'-0"
 NOTES:
 1. REFERENCE SPECIFICATIONS FOR MATERIAL AND COMPACTION REQUIREMENTS.



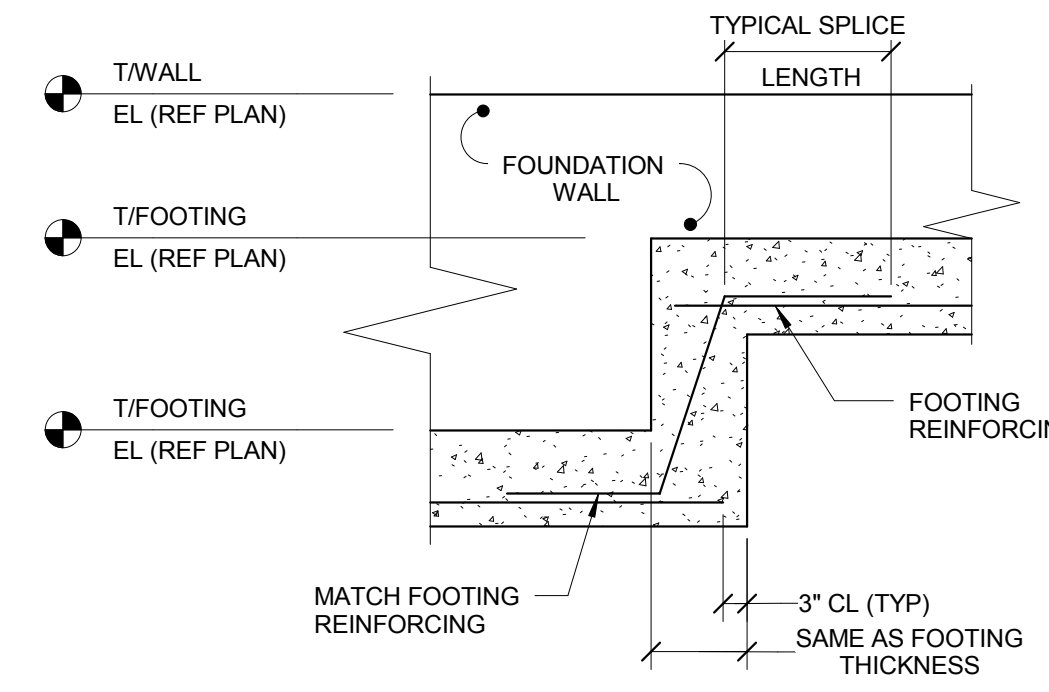
2 TYPICAL SLAB CONSTRUCTION JOINT
 3/4" = 1'-0"
 NOTES:
 1. USE 1/2"Ø x 1'-4" SMOOTH DOWEL BARS AT 18" OC.
 2. USE 1/4"x4 1/2"x4 1/2" DIAMOND LOAD PLATES AT 18" OC.



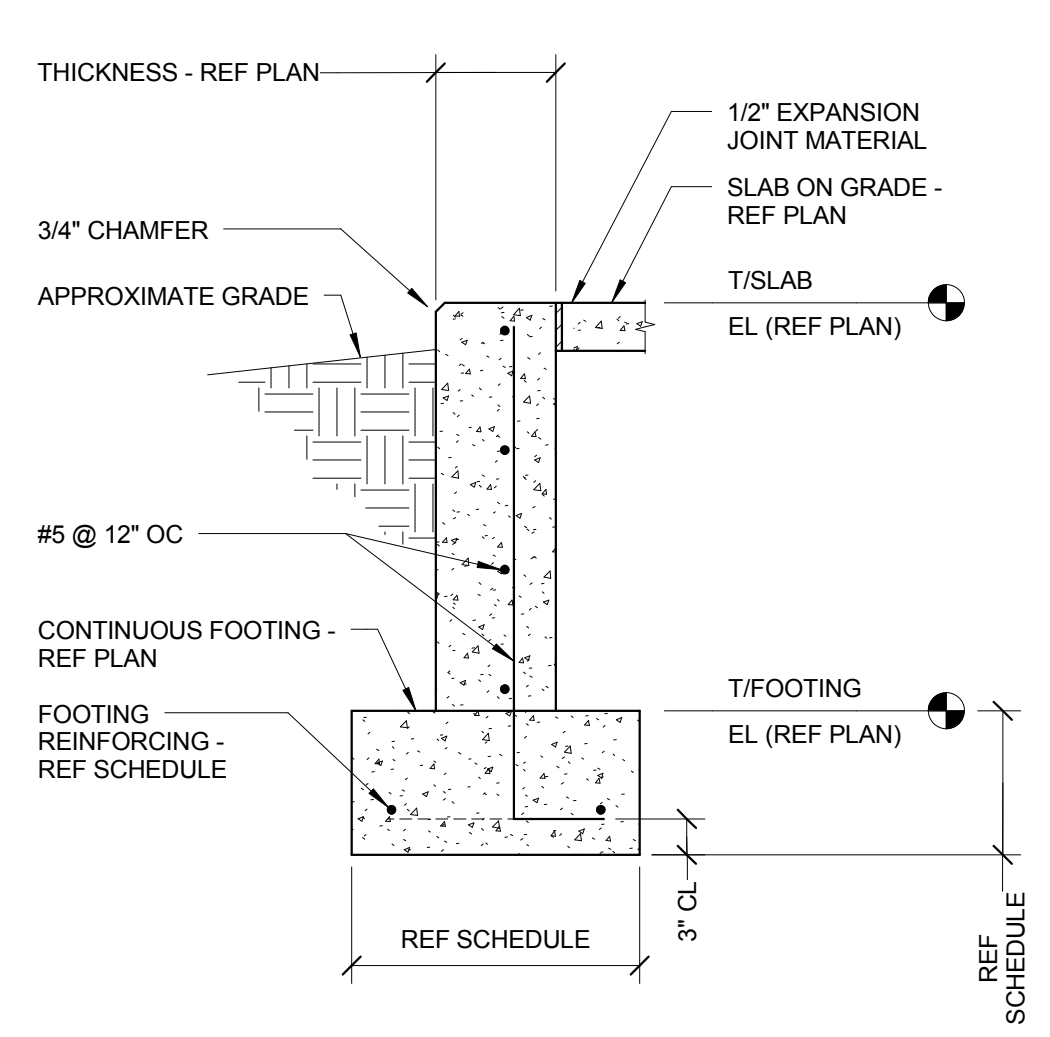
1 TYPICAL SLAB ON GRADE CONTROL JOINT
 1" = 1'-0"



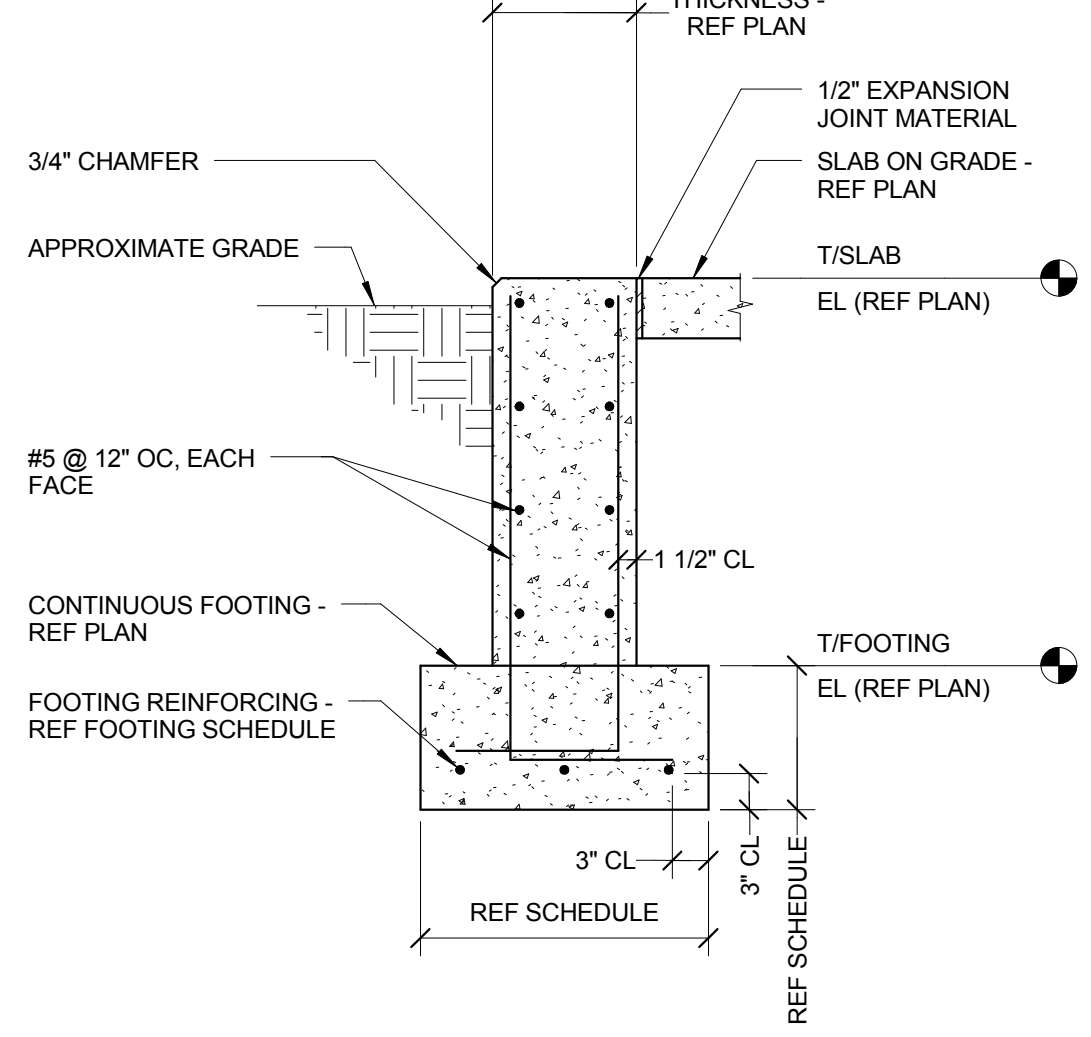
10 TYPICAL STOOP SECTION
 3/4" = 1'-0"
 NOTES:
 1. REFER TO ARCHITECTURAL DRAWINGS FOR EXACT STOOP LAYOUT AND LOCATIONS.
 2. REFER TO TYPICAL FOUNDATION WALL DETAIL FOR INFORMATION NOT SHOWN.



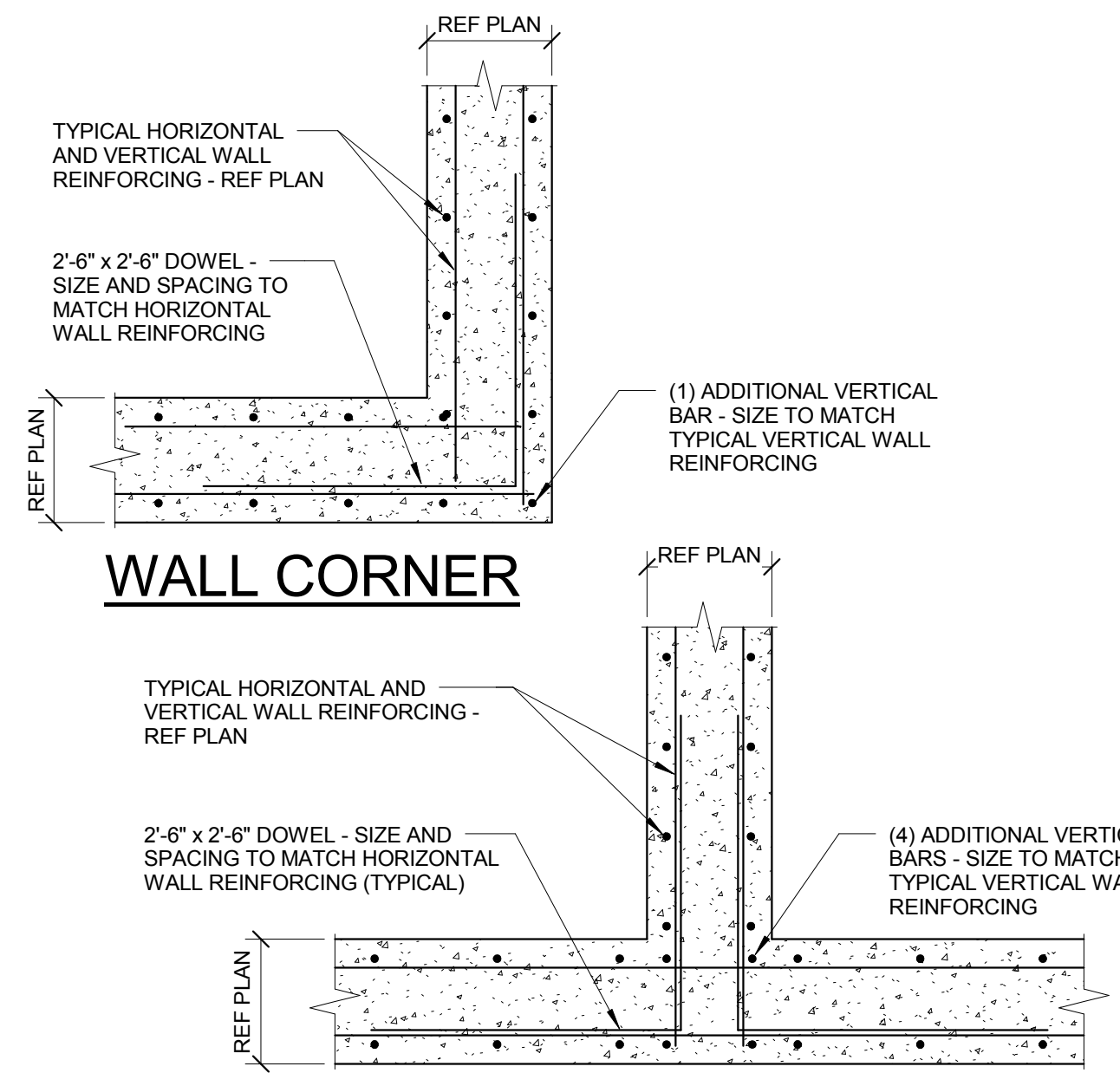
9 TYPICAL FOOTING STEP
 1/2" = 1'-0"



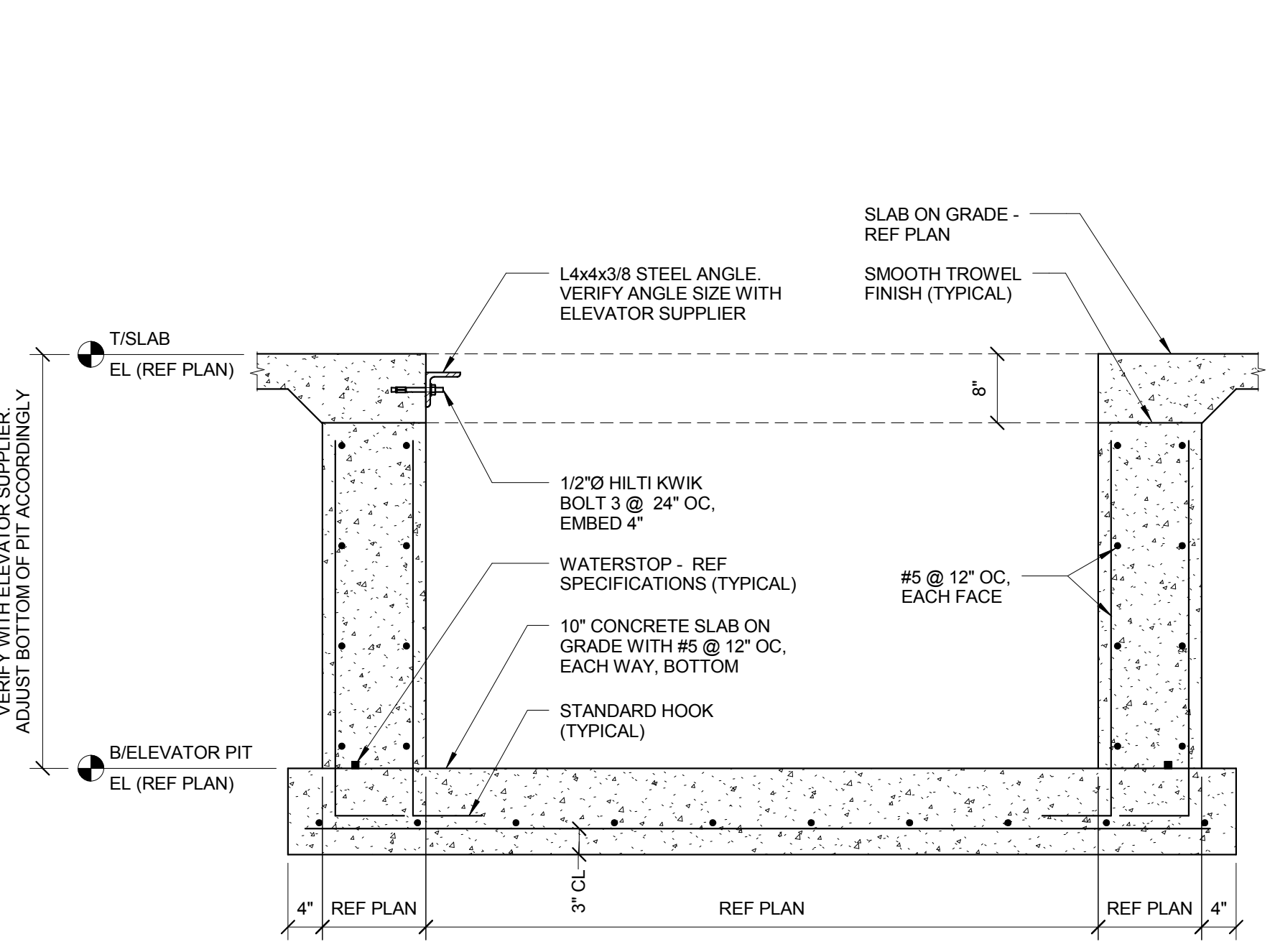
8 TYPICAL FOUNDATION WALL
 3/4" = 1'-0"



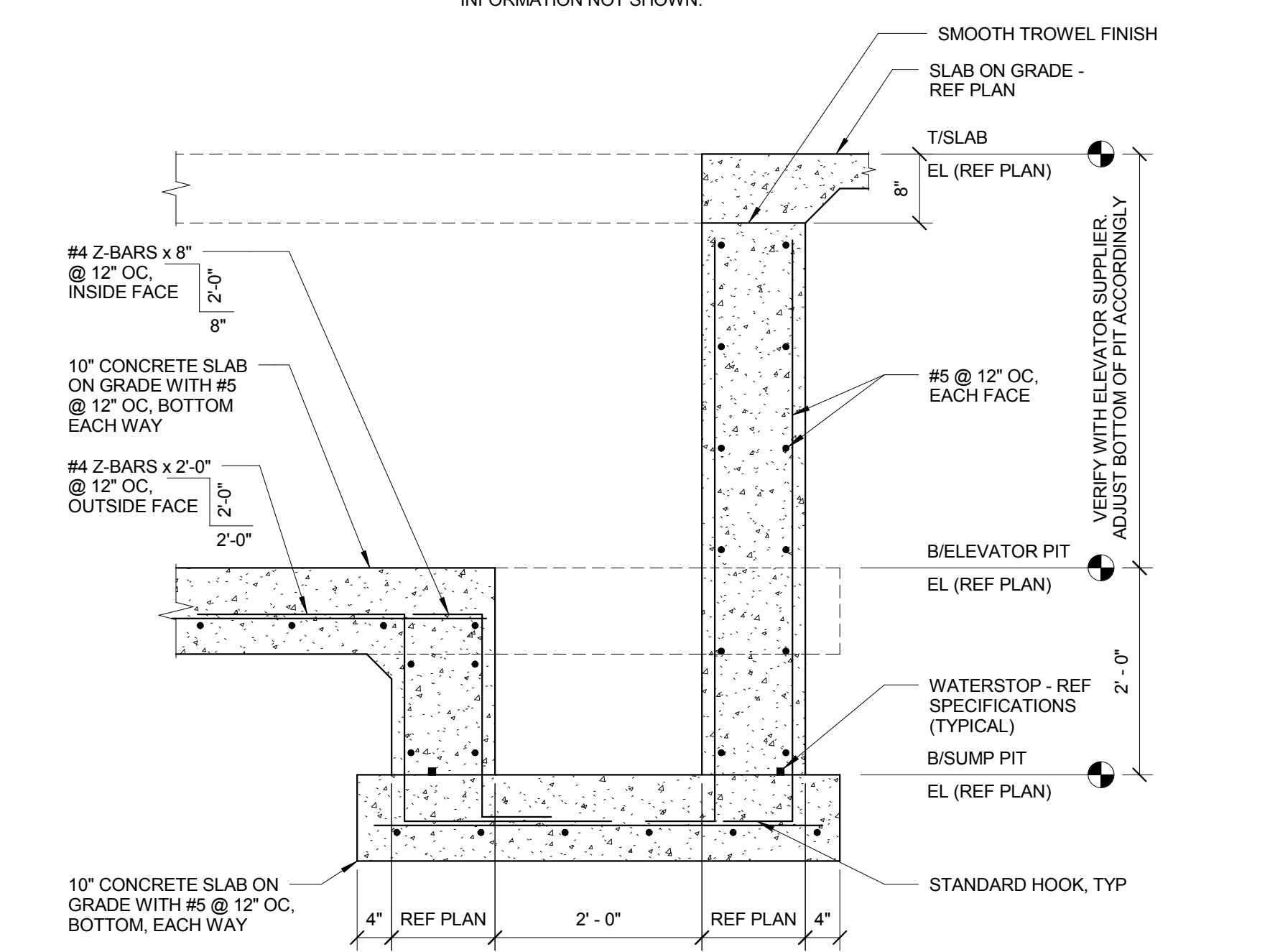
7 TYPICAL FOUNDATION WALL
 3/4" = 1'-0"
 NOTES:
 1. AT SIM SLAB ON GRADE IS AT BOTH SIDES OF FOUNDATION WALL, DO NOT PROVIDE 3/4" CHAMFER.



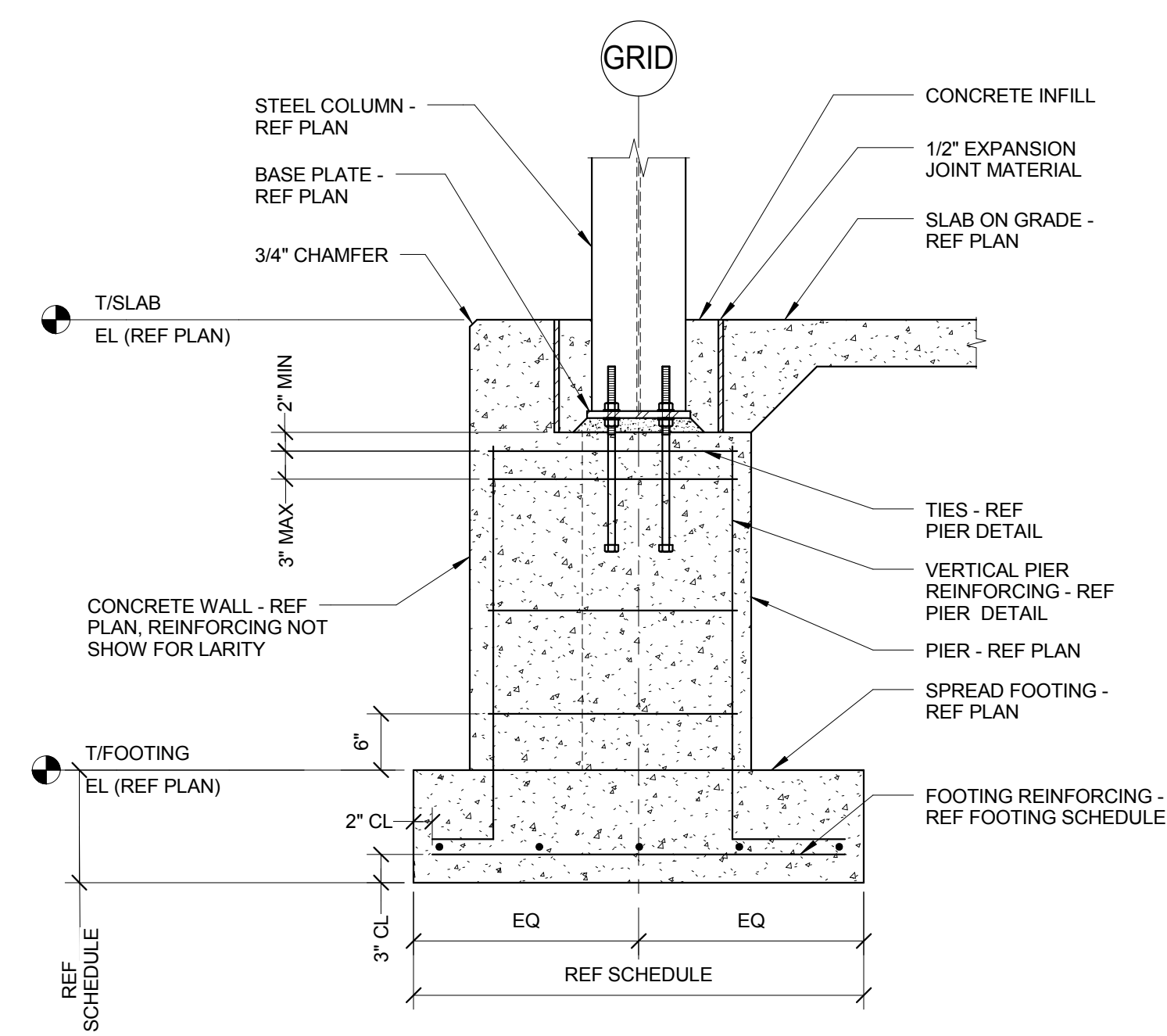
6 TYPICAL CONCRETE WALL DETAIL
 3/4" = 1'-0"



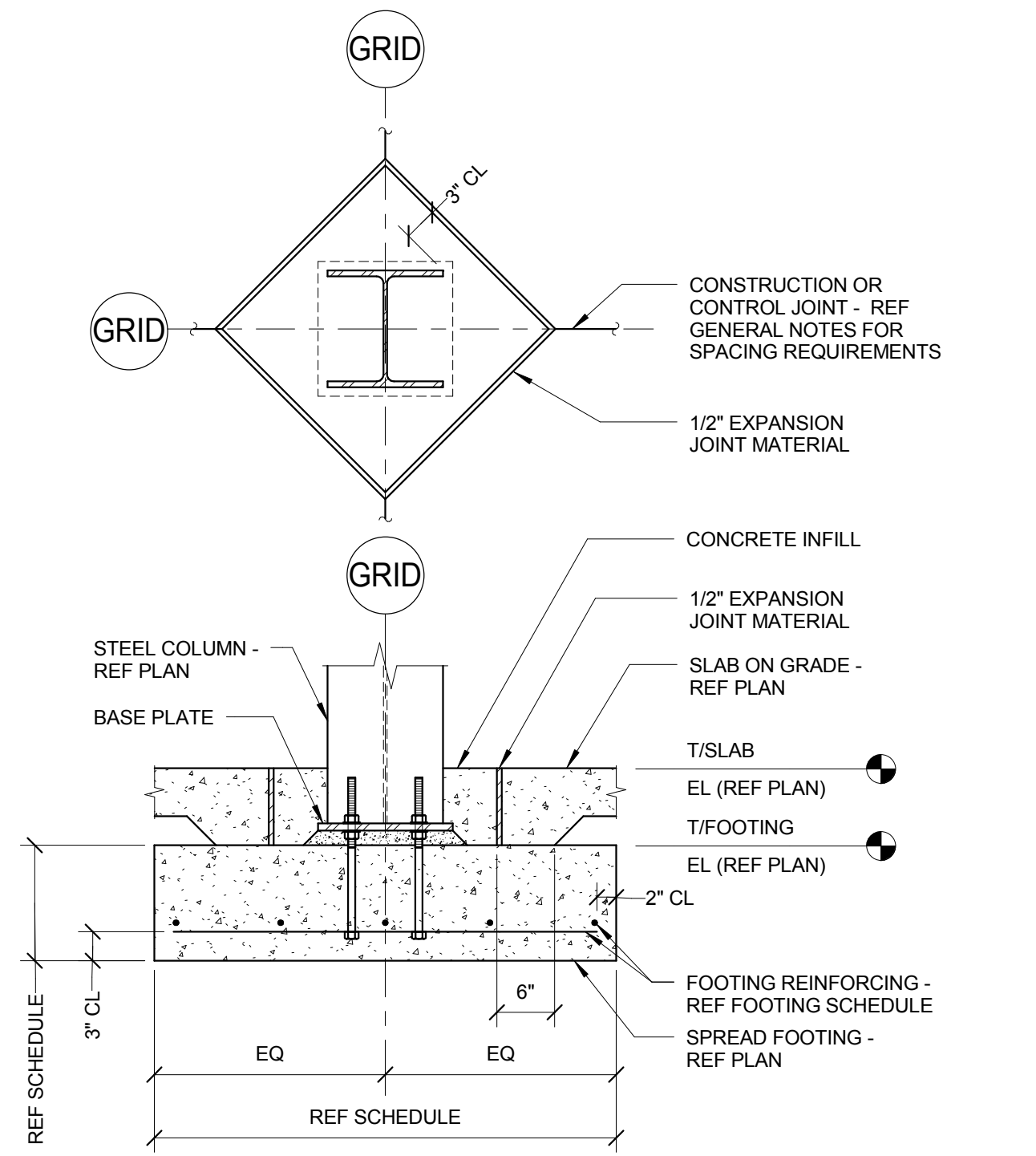
13 ELEVATOR PIT SECTION
 3/4" = 1'-0"
 NOTES:
 1. REFER TO ARCHITECTURAL DRAWINGS FOR PIT LADDER.



14 SUMP PIT SECTION
 3/4" = 1'-0"
 NOTES:
 1. COORDINATE LOCATION OF SUMP WITH ELEVATOR SUPPLIER TO AVOID ELEVATOR COMPONENTS AND ACCESS AREA.



12 TYPICAL SPREAD FOOTING WITH PIER
 3/4" = 1'-0"



11 TYPICAL SPREAD FOOTING
 3/4" = 1'-0"

KJWW ENGINEERING CONSULTANTS
 1100 WARRENVILLE ROAD, SUITE 400W
 NAPERVILLE, ILLINOIS 60563
 630.527.2320 FAX: 630.527.2321
 WWW.KJWW.COM
 PROJECT # 14.043.00
 DESIGN FIRM REGISTRATION # 08-08973

KJWW ENGINEERING RESERVES PROPRIETARY RIGHTS, INCLUDING COPYRIGHTS, TO THIS DRAWING AND THE DATA SHOWN THEREON. THIS DRAWING AND/OR DATA ARE THE EXCLUSIVE PROPERTY OF KJWW ENGINEERING AND SHALL NOT BE USED OR REPRODUCED FOR ANY OTHER PROJECT WITHOUT THE EXPRESS WRITTEN APPROVAL AND PARTICIPATION OF KJWW ENGINEERING. © 2015 KJWW, P.C.

REFERENCE SCALE IN INCHES
 0 1 2 3

KEY PLAN:

SHEET STATUS: 9/21/15

ISSUED FOR CONSTRUCTION

NO.	DESCRIPTION:	DATE:

SHEET TITLE:
FOUNDATION DETAILS

SHEET NUMBER:

S2.01

KJWW ENGINEERING CONSULTANTS
 1100 WARRENVILLE ROAD, SUITE 400W
 NAPERVILLE, ILLINOIS 60563
 630.527.2320 FAX: 630.527.2321
 WWW.KJWW.COM

DESIGN FIRM REGISTRATION #184-08973
 PROJECT # 14-005.00

KJWW ENGINEERING RESERVES PROPRIETARY RIGHTS, INCLUDING COPYRIGHTS, TO THIS DRAWING AND THE DATA SHOWN THEREON. SUCH DRAWING AND/OR DATA ARE THE EXCLUSIVE PROPERTY OF KJWW ENGINEERING AND SHALL NOT BE USED OR REPRODUCED FOR ANY OTHER PROJECT WITHOUT THE EXPRESS WRITTEN APPROVAL AND PARTICIPATION OF KJWW ENGINEERING. © 2015 KJWW, P.C.

REFERENCE SCALE IN INCHES
 0 1 2 3

5 PIER (P3) DETAIL
 3/4" = 1'-0"

4 PIER (P2) DETAIL
 3/4" = 1'-0"

3 PIER (P1 AND P1 SIM) DETAIL
 3/4" = 1'-0"

BASE PLATE SCHEDULE

MARK	'B'	'N'	'T'	'A'	ANCHOR RODS	SHEAR LUG PL 't' x 'd' x 'w'	DETAIL	REMARKS
BP1	1'-2"	1'-2"	3/4"	1 1/2"	(4) 3/4"Ø WITH 9" EMBEDMENT	-	A	-
BP2	1'-2"	1'-2"	1"	1 1/2"	(4) 3/4"Ø WITH 9" EMBEDMENT	-	A	-
BP3	1'-0"	1'-0"	3/4"	1 1/2"	(4) 3/4"Ø WITH 9" EMBEDMENT	-	C	-
BP4	1'-4"	1'-4"	3/4"	1 1/2"	(4) 3/4"Ø WITH 9" EMBEDMENT	-	C	-
BP5	1'-0"	1'-0"	3/4"	1 1/2"	(4) 3/4"Ø WITH 9" EMBEDMENT	-	B	-
BP6	1'-6"	1'-6"	1 1/2"	2"	(4) 1 1/2"Ø WITH 12" EMBEDMENT	-	C	-
BP7	1'-8"	1'-8"	2"	2"	(4) 1 1/2"Ø WITH 18" EMBEDMENT	-	D	-
BP8	2'-2"	2'-2"	2 3/4"	2"	(6) 2"Ø WITH 18" EMBEDMENT	-	D	-
BP9	2'-2"	2'-2"	2 3/4"	2"	(4) 1 1/2"Ø WITH 18" EMBEDMENT	PL 1"x2 1/2"x2'-2"	D	-
BP11	2'-2"	2'-0"	1 1/2"	2"	(4) 1 1/2"Ø WITH 18" EMBEDMENT	-	D	-

2 BASE PLATE DETAILS
 1/2" = 1'-0"

- NOTES:
 1. NO WELDS REQUIRED AT FLANGE TOES AND RADII, UNLESS NOTED OTHERWISE.
 2. REFER TO 1/S-300 FOR ANCHOR ROD DETAIL.

1 TYPICAL ANCHOR ROD
 1/2" = 1'-0"

- NOTES:
 1. REFERENCE BASE PLATE DETAILS FOR DIAMETER AND EMBEDMENT.
 2. REFERENCE GENERAL NOTES FOR MATERIAL REQUIREMENTS.
 3. ANCHOR RODS SHALL BE SET PRIOR TO PLACEMENT OF CONCRETE.
 4. PROTECT ANCHOR RODS FROM DAMAGE.
 5. ANCHOR SHALL BE SET SO AS NOT TO VARY FROM THE DIMENSIONS SHOWN ON THE ERECTION DRAWINGS BY MORE THAN THE FOLLOWING:
 A. 1/8" CENTER TO CENTER OF ANY TWO RODS WITHIN AN ANCHOR ROD GROUP.
 B. 1/4" CENTER TO CENTER OF ADJACENT ANCHOR ROD GROUPS.
 C. ELEVATION OF THE TOP OF ANCHOR RODS ± 1/2".
 D. MAXIMUM ACCUMULATION OF 1/4" PER HUNDRED FEET ALONG THE ESTABLISHED COLUMN LINE.
 E. 1/4" FROM THE CENTER OF ANY ANCHOR ROD GROUP TO THE ESTABLISHED COLUMN LINE THROUGH THAT GROUP.
 F. REFERENCE AISC CODE OF STANDARD PRACTICE FOR ADDITIONAL INFORMATION.
 6. SET ANCHOR RODS PERPENDICULAR TO BEARING SURFACE, UNLESS NOTED OTHERWISE.
 7. PROVIDE 2" NON-SHRINK GROUT AT ALL BASE PLATES.

6 PIER (P4 AND P4 SIM) DETAIL
 3/4" = 1'-0"

- NOTES:
 1. PROVIDE 90 DEGREE HOOK AT TOP OF BARS AND EXTEND HOOK TO BE WITHIN 2" OF CENTER OF BASE PLATE.

7 PIER (P5) DETAIL
 3/4" = 1'-0"

8 PIER (P6) DETAIL
 3/4" = 1'-0"

- NOTES:
 1. AT SIM COLUMN IS WIDE FLANGE.

9 PIER (P7) DETAIL
 3/4" = 1'-0"

10 PIER (P8) DETAIL
 3/4" = 1'-0"

11 PIER (P9) DETAIL
 3/4" = 1'-0"

12 TYPICAL FOUNDATION DETAILS AT SITE UTILITIES
 3/4" = 1'-0"

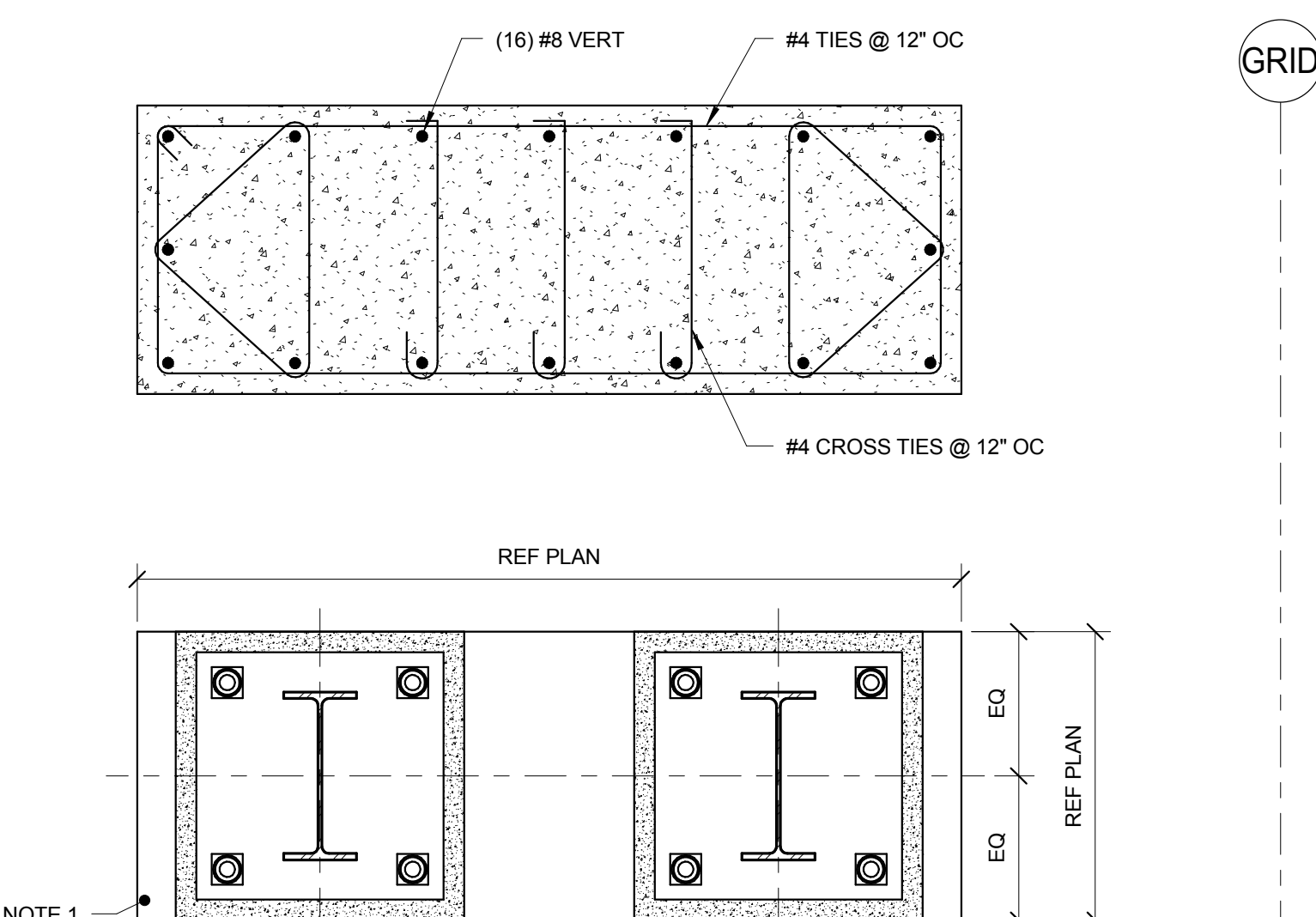
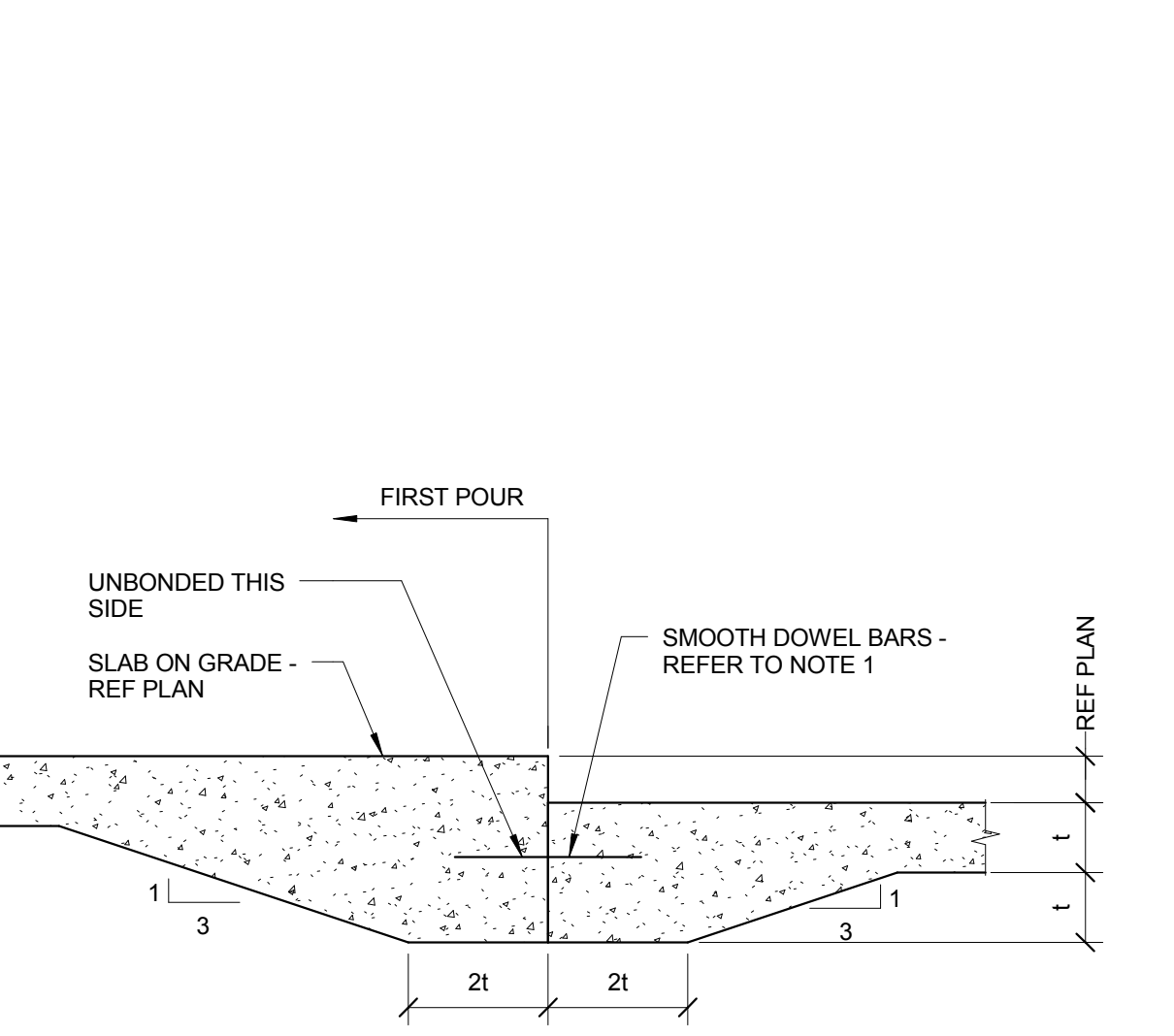
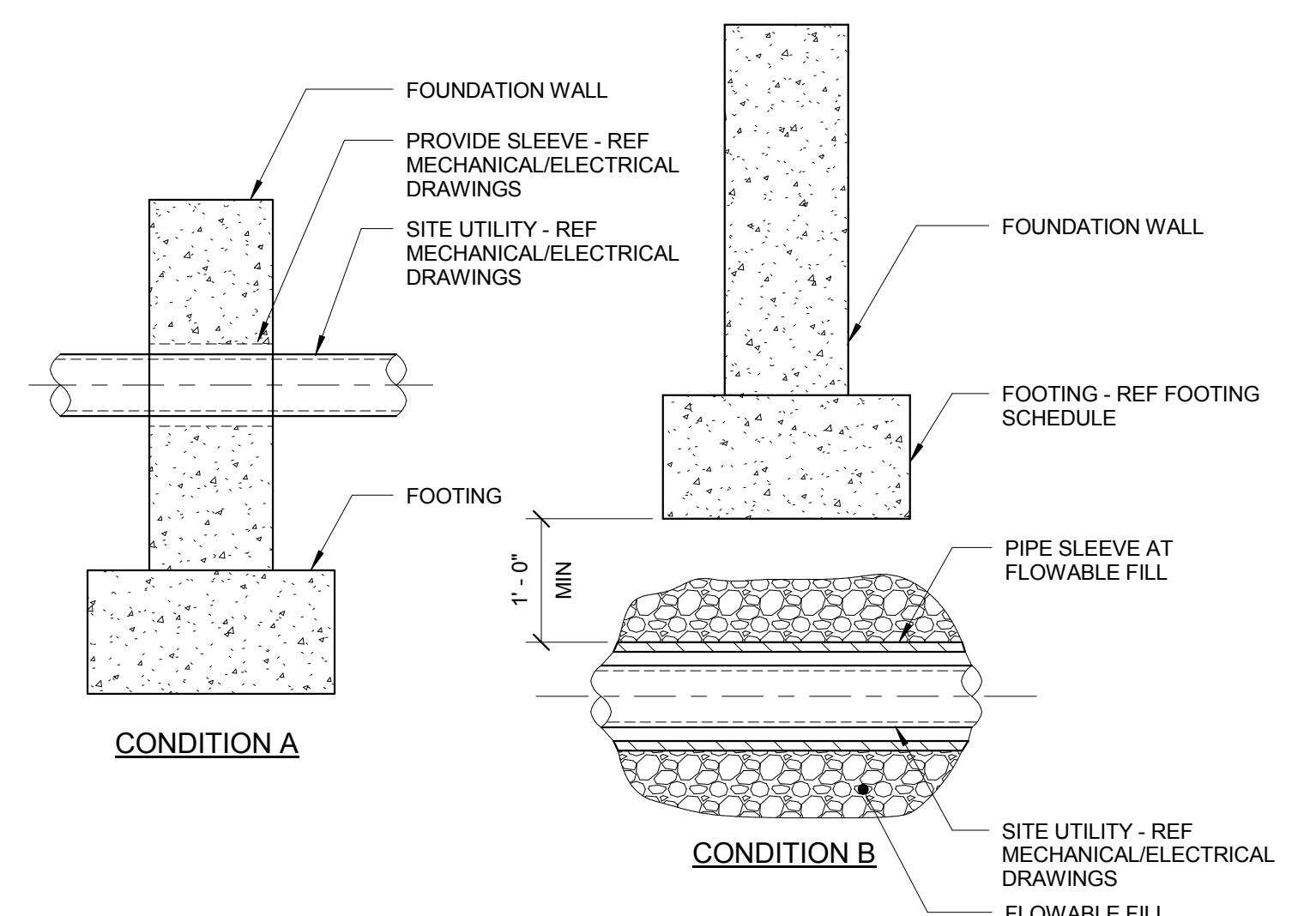
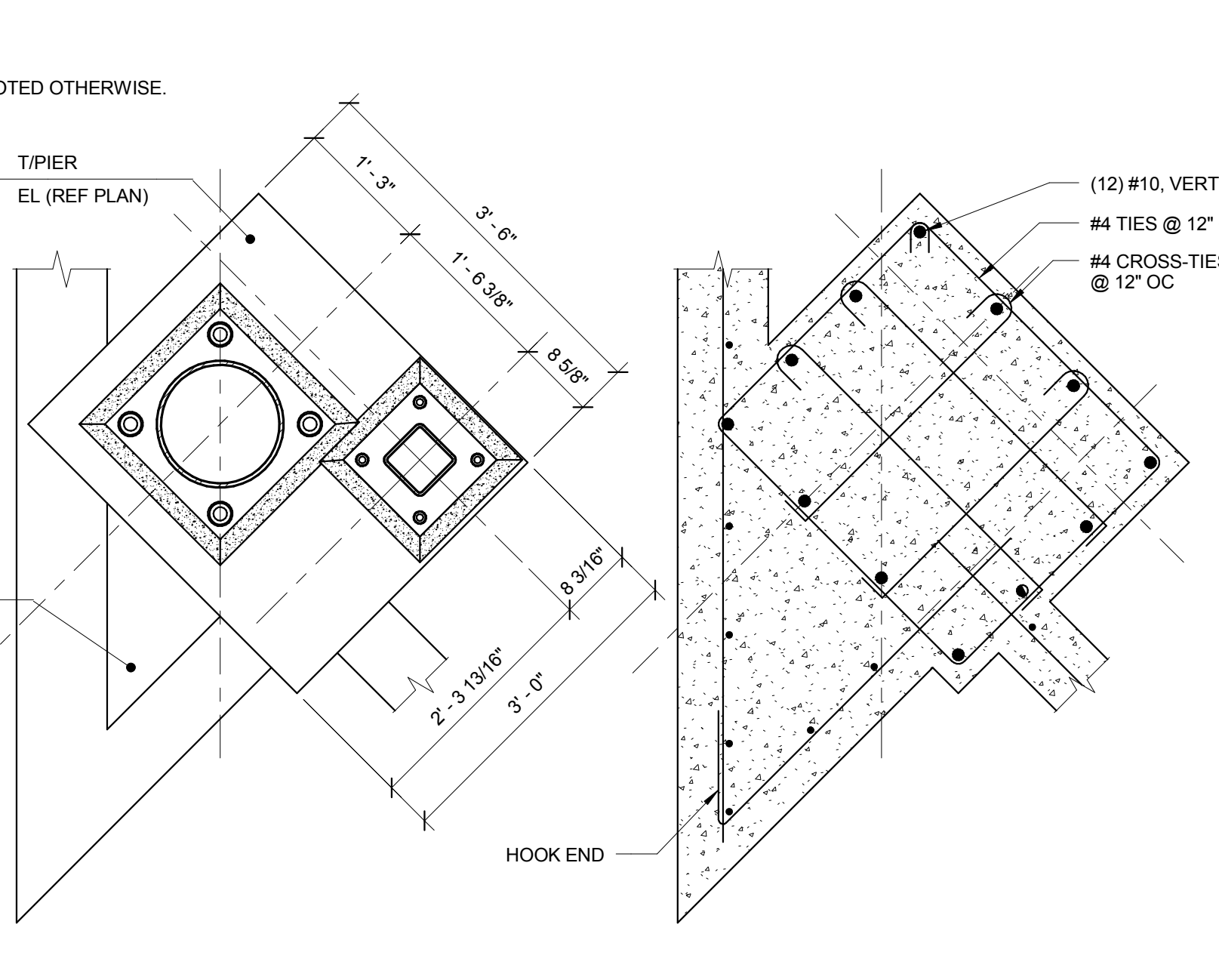
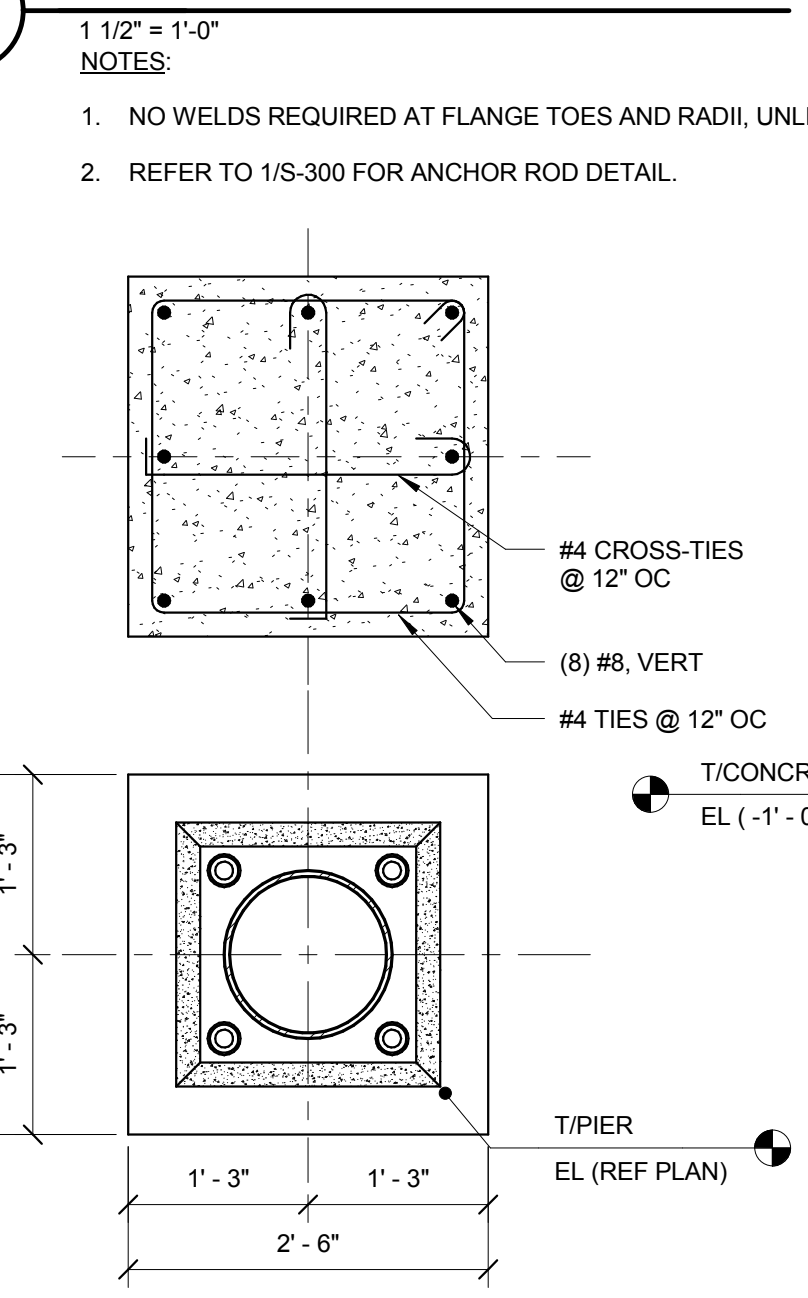
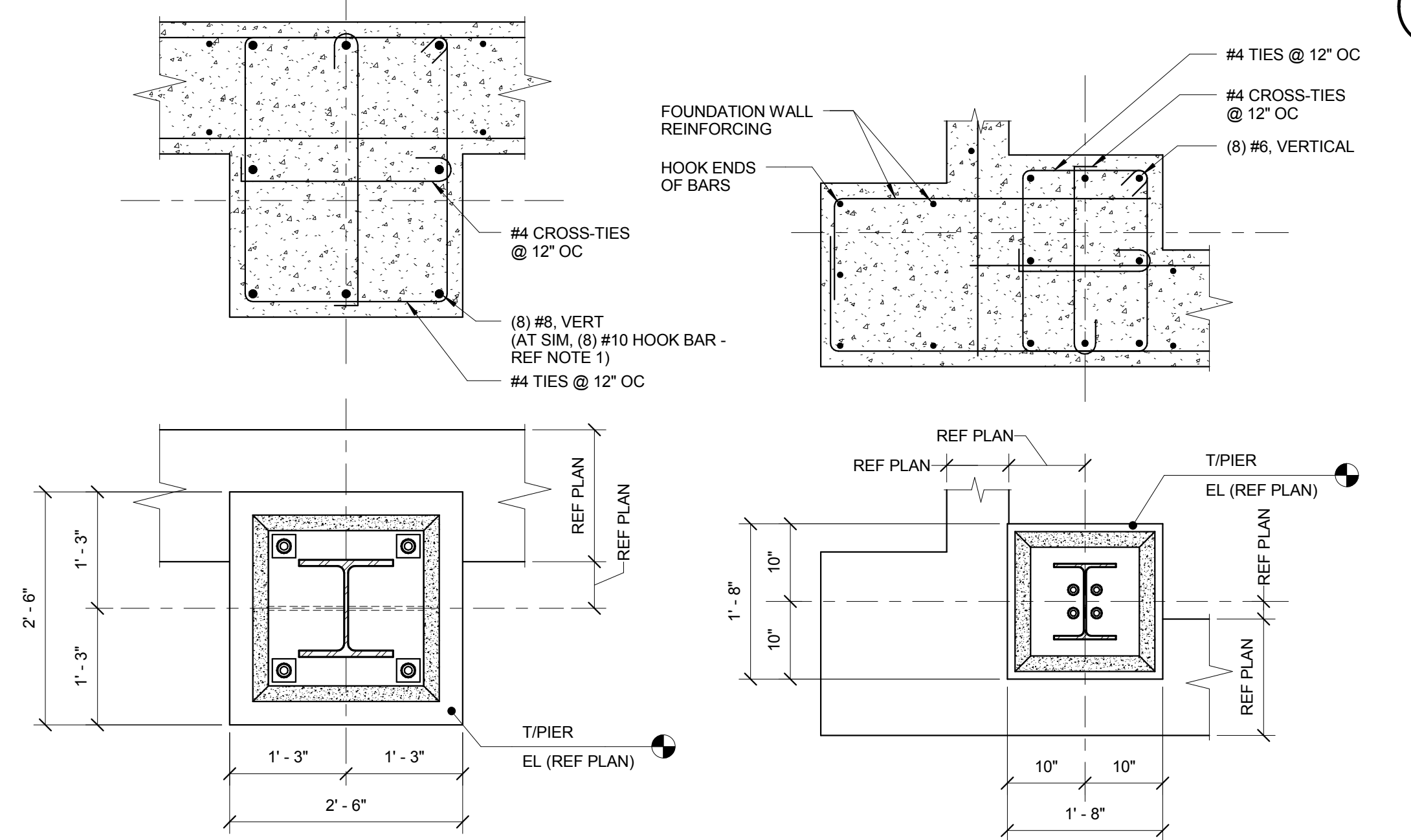
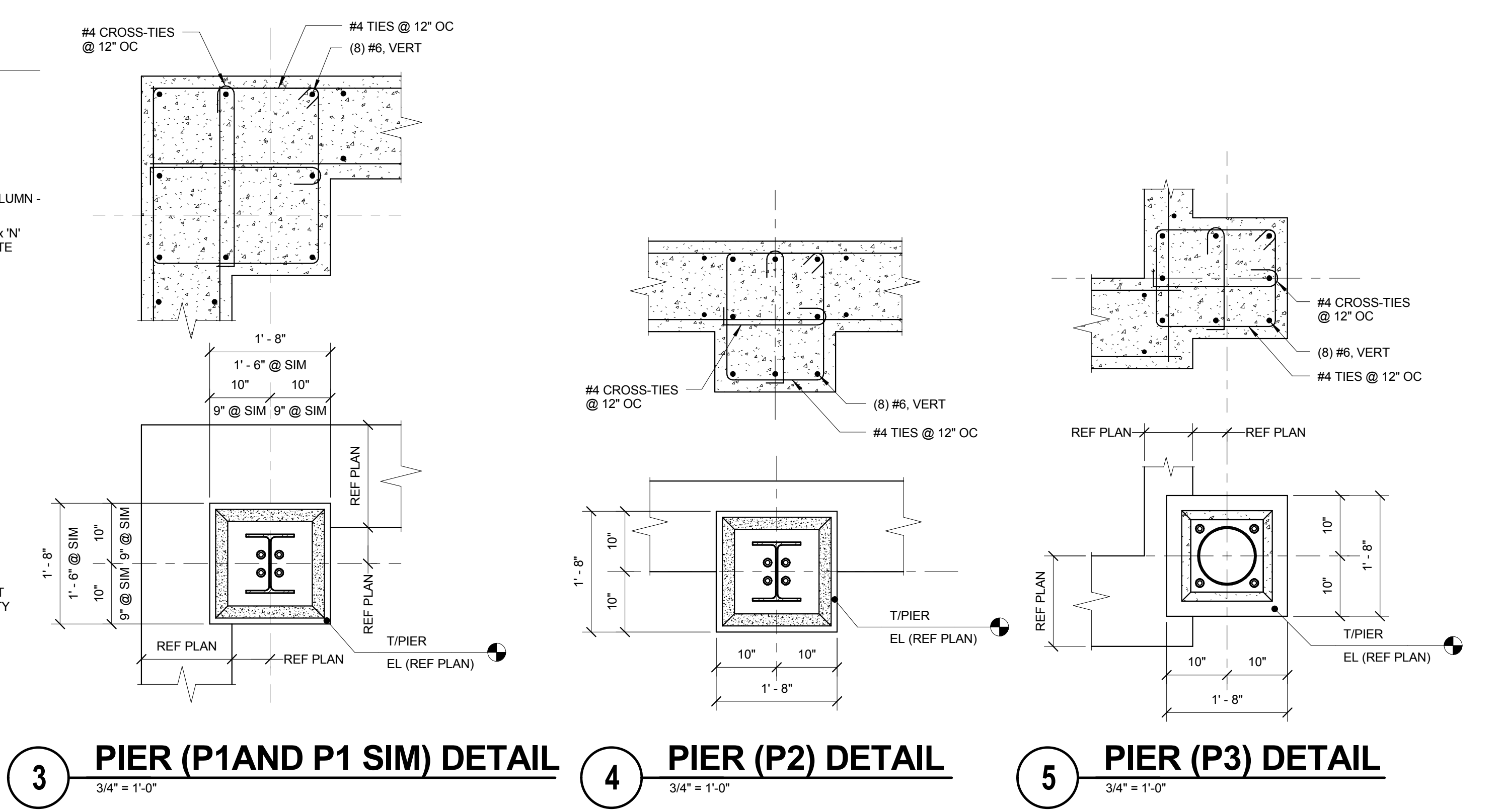
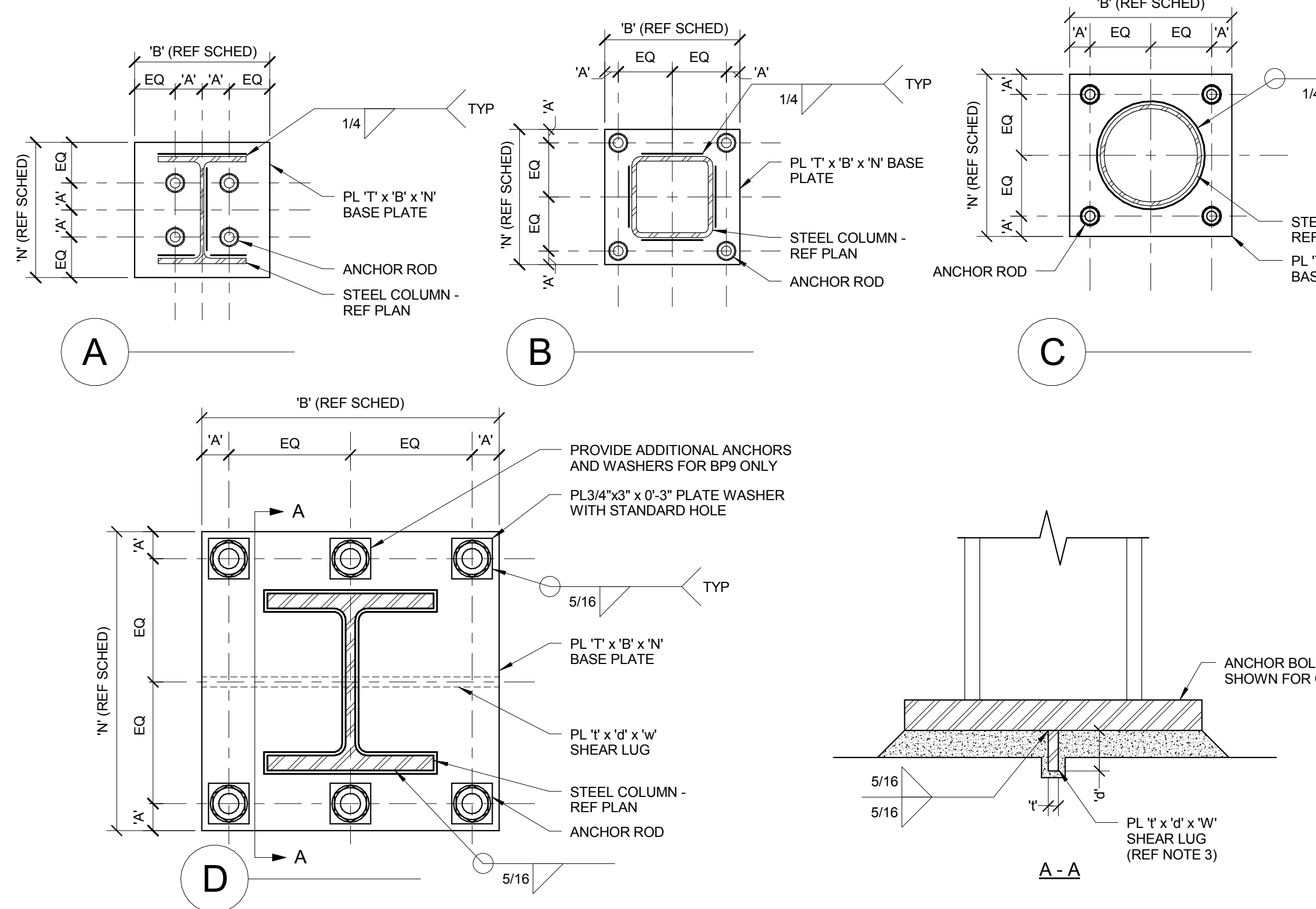
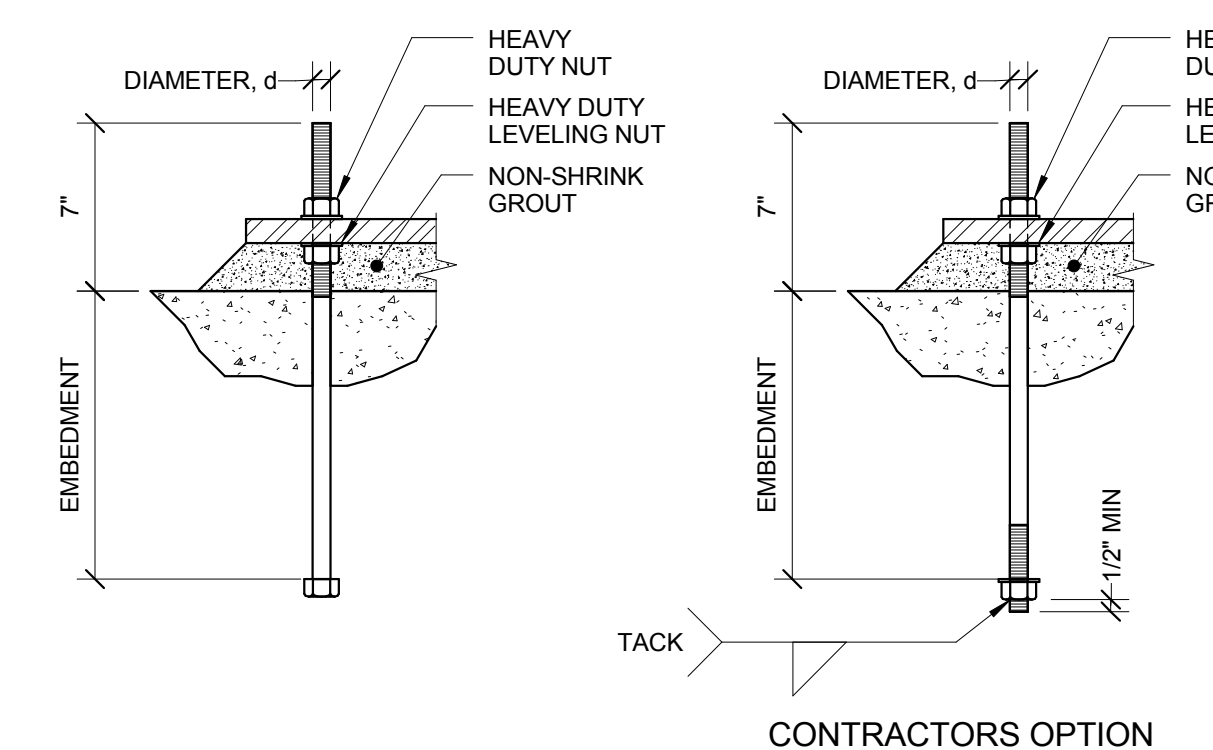
- NOTES:
 1. REFERENCE MECHANICAL AND ELECTRICAL DRAWINGS FOR ALL LOCATIONS, ELEVATIONS, ETC., OF SITE UTILITIES.
 2. DETAIL REQUIRED AT ALL UTILITIES HAVING A PLAN WIDTH UP TO 3'-0" FOR WIDTHS GREATER THAN 3'-0", REFERENCE PLAN FOR REQUIRED DETAIL.
 3. CONDITION B DOES NOT APPLY AT SPREAD FOOTING SITUATIONS. GENERAL CONTRACTOR SHALL NOTIFY ENGINEER SHOULD SUCH A CONDITION ARISE AND AWAIT FURTHER INSTRUCTIONS.

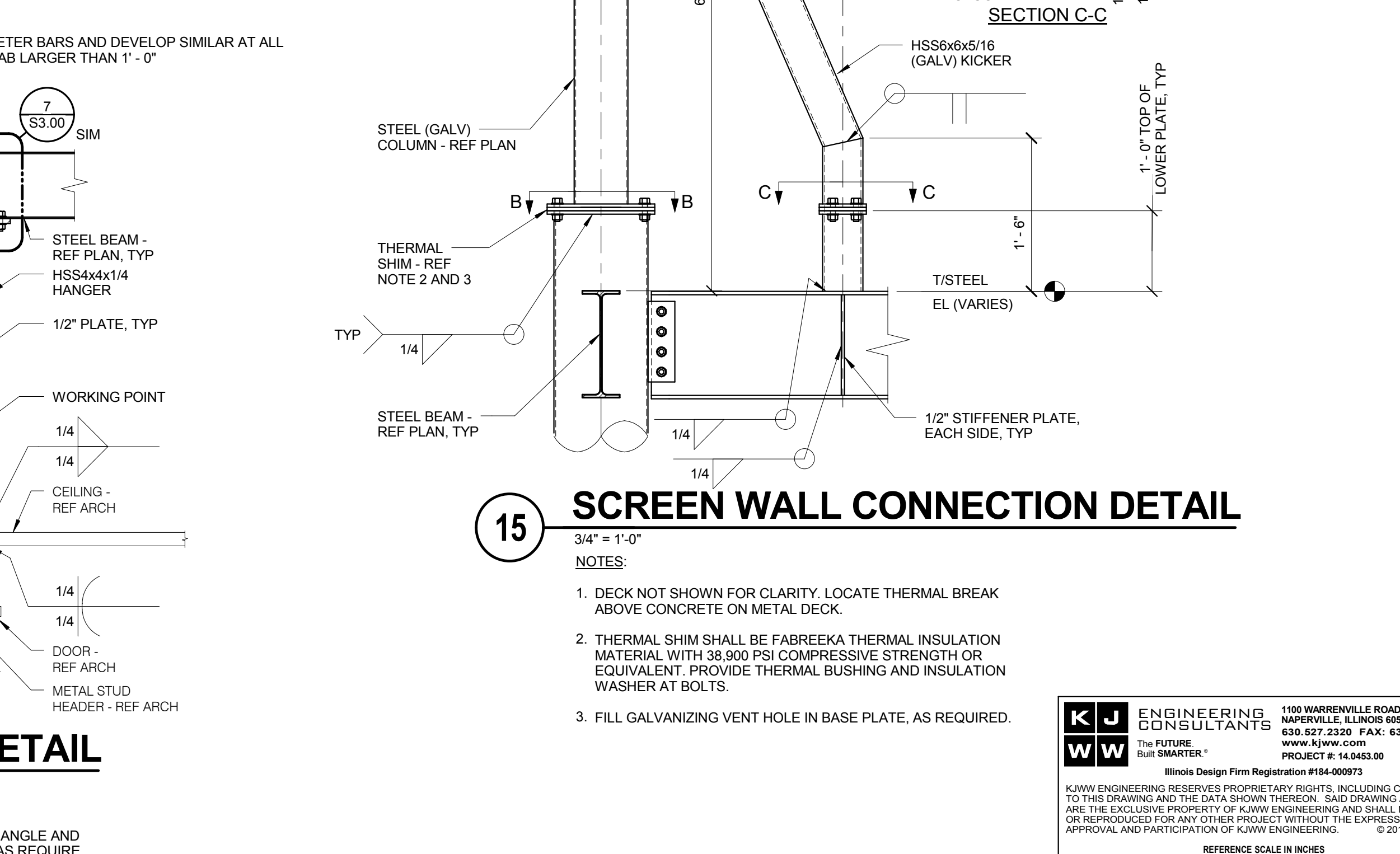
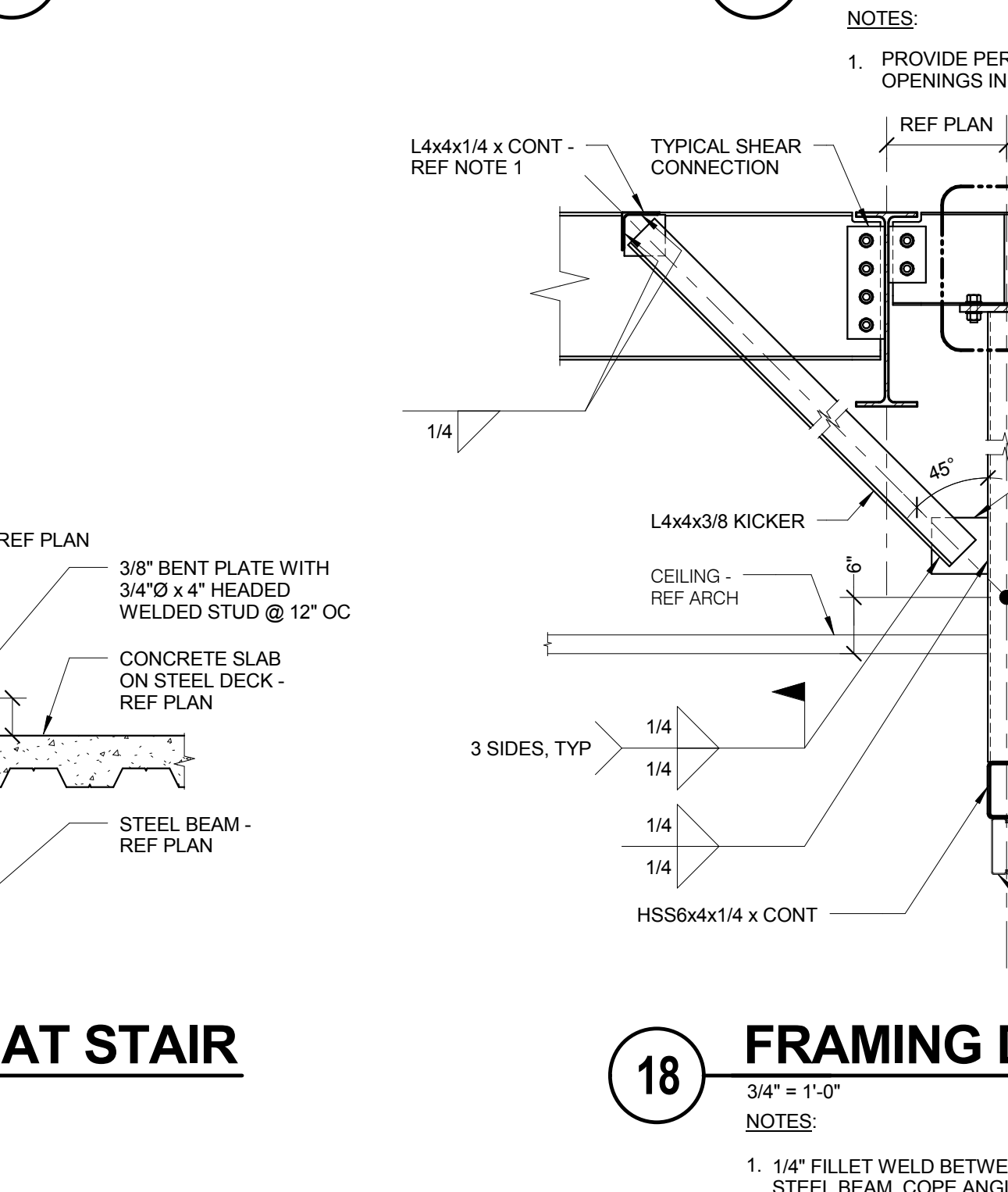
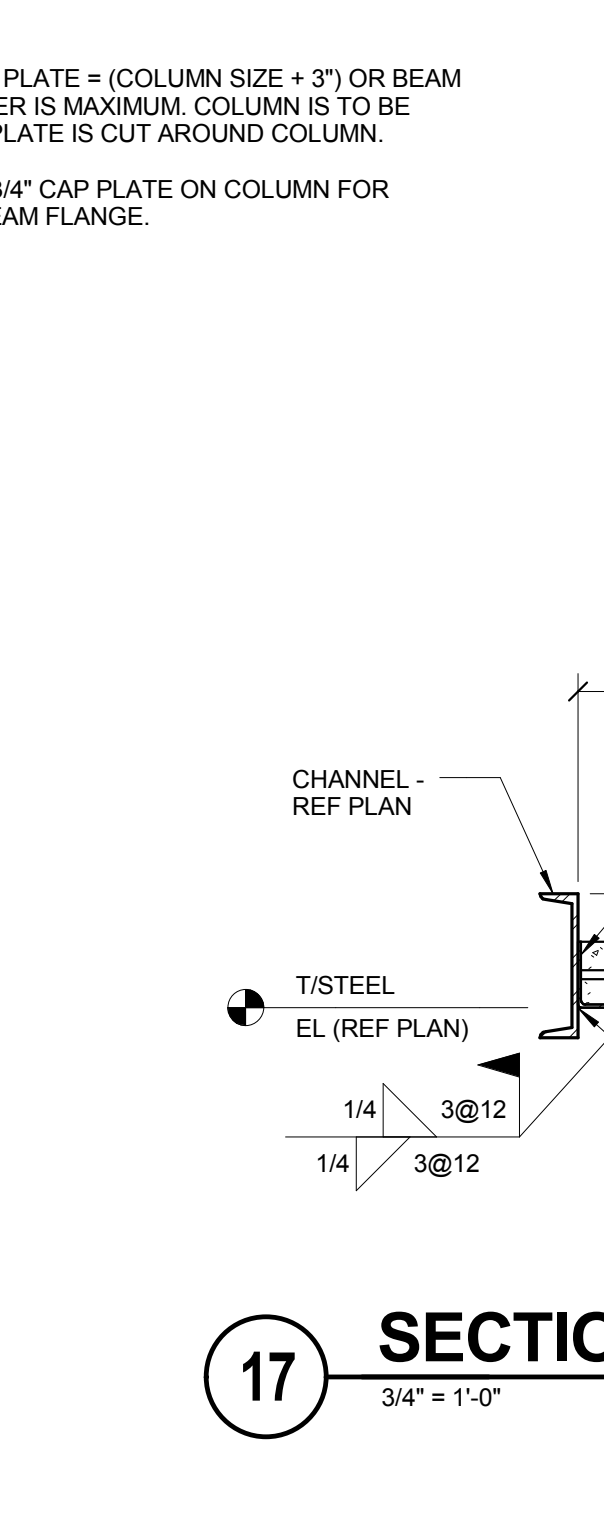
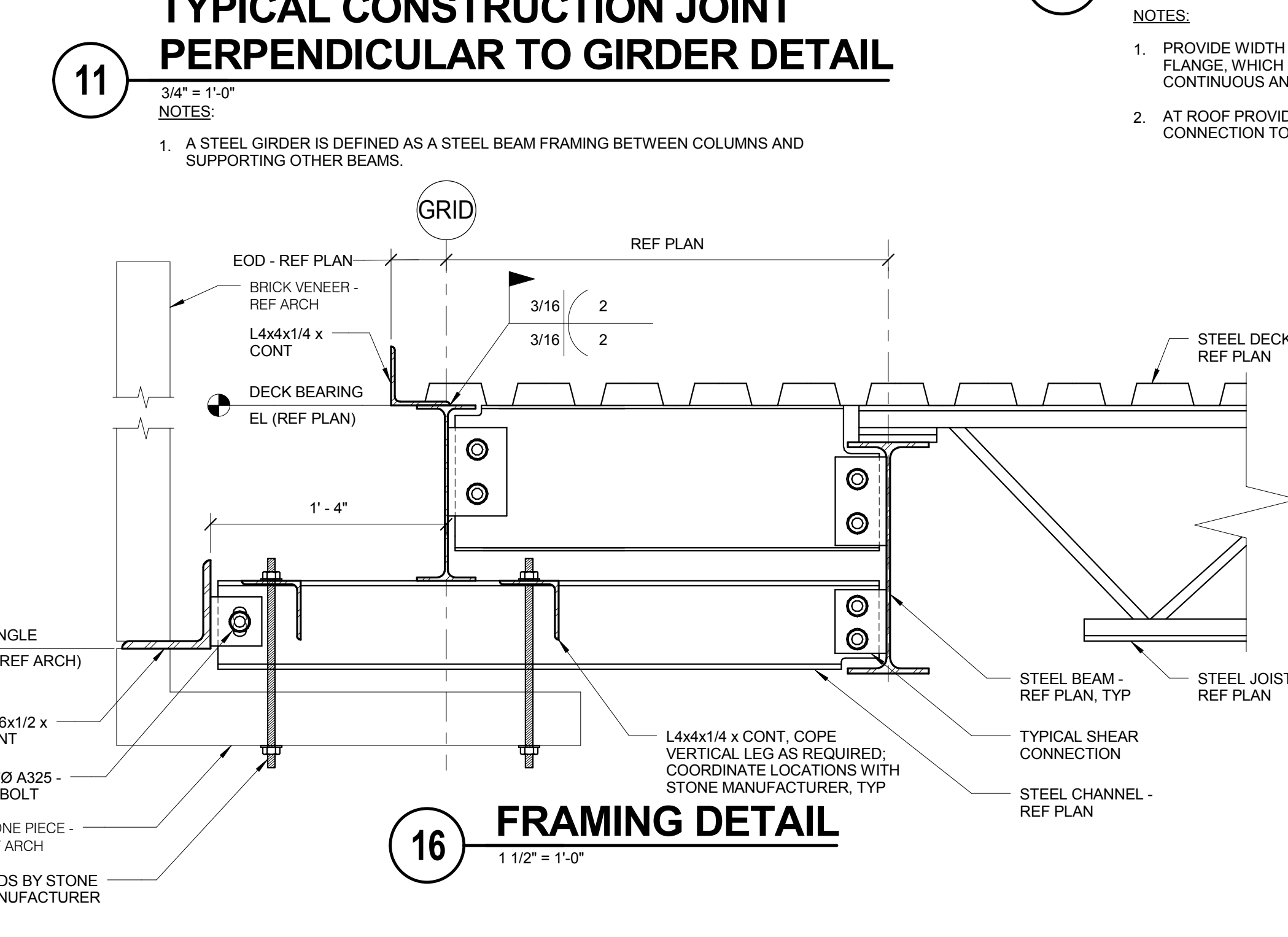
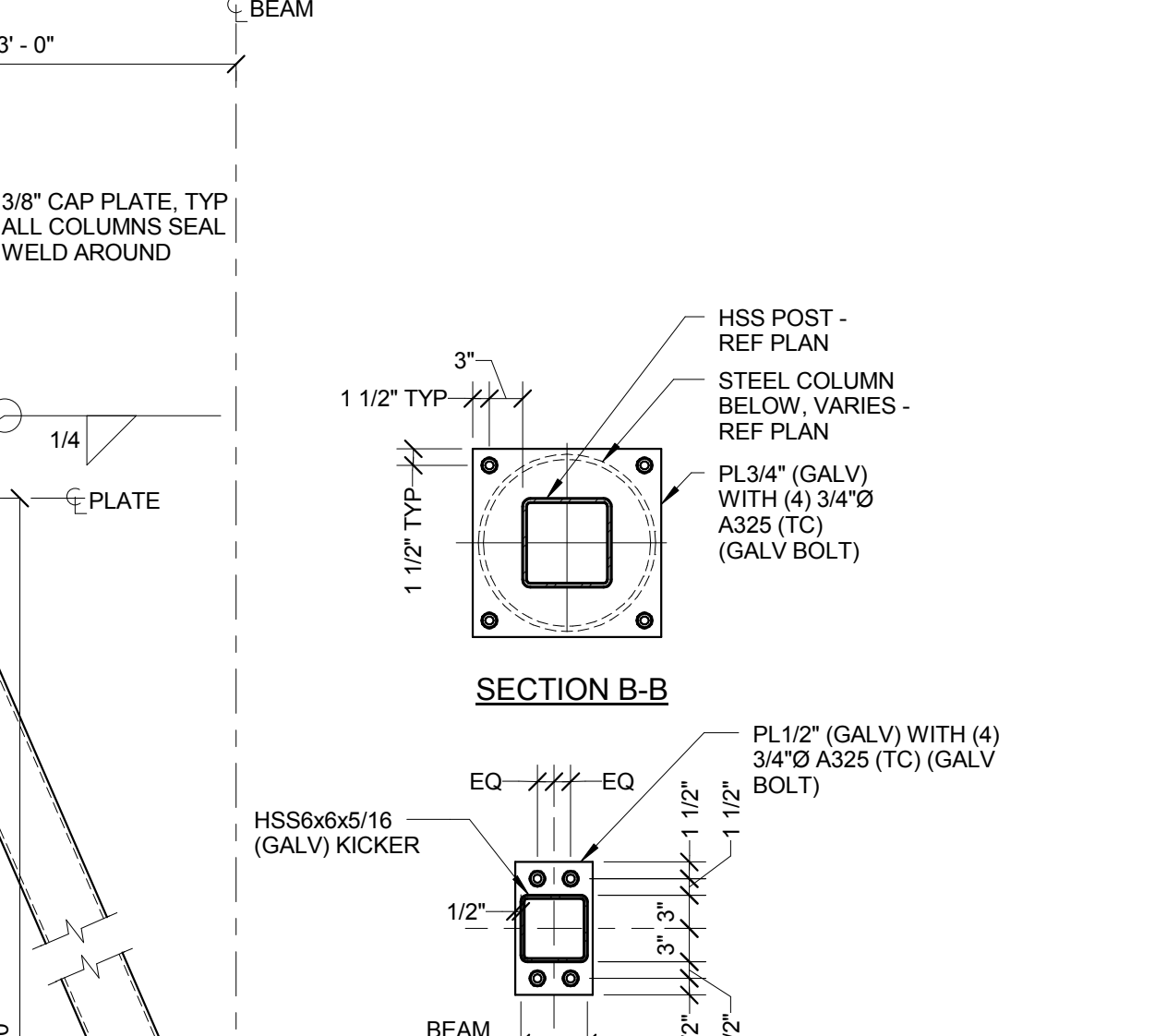
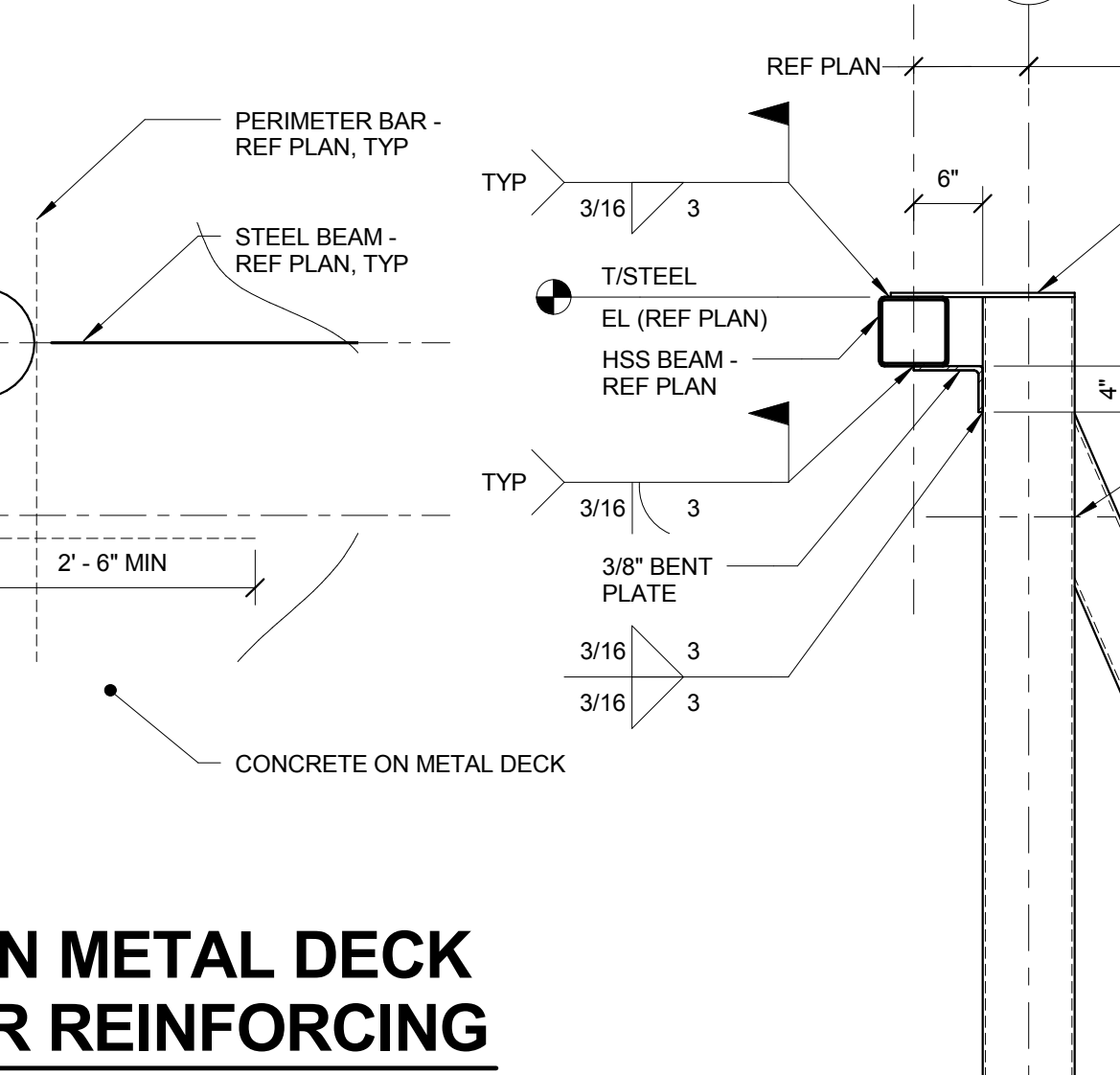
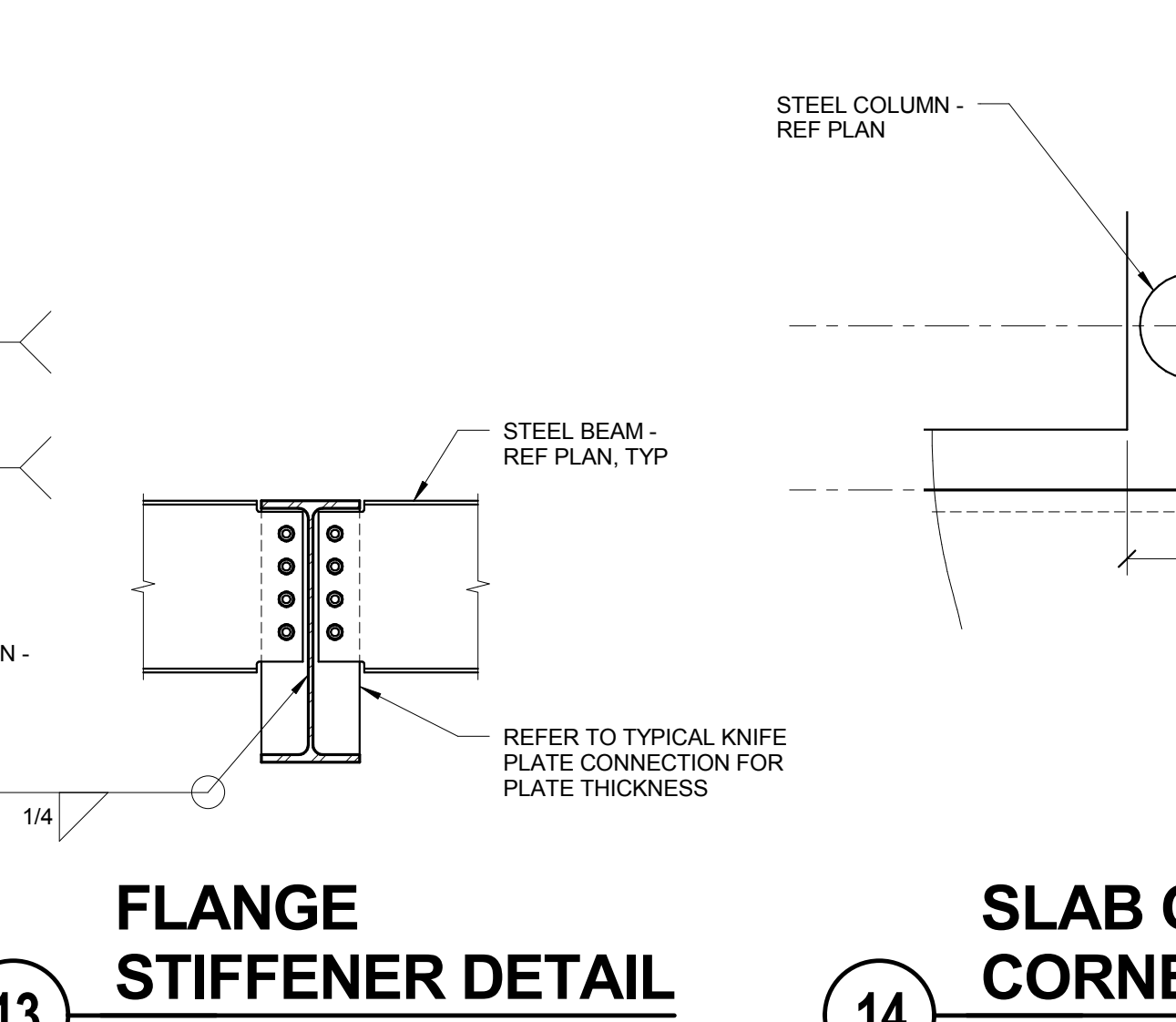
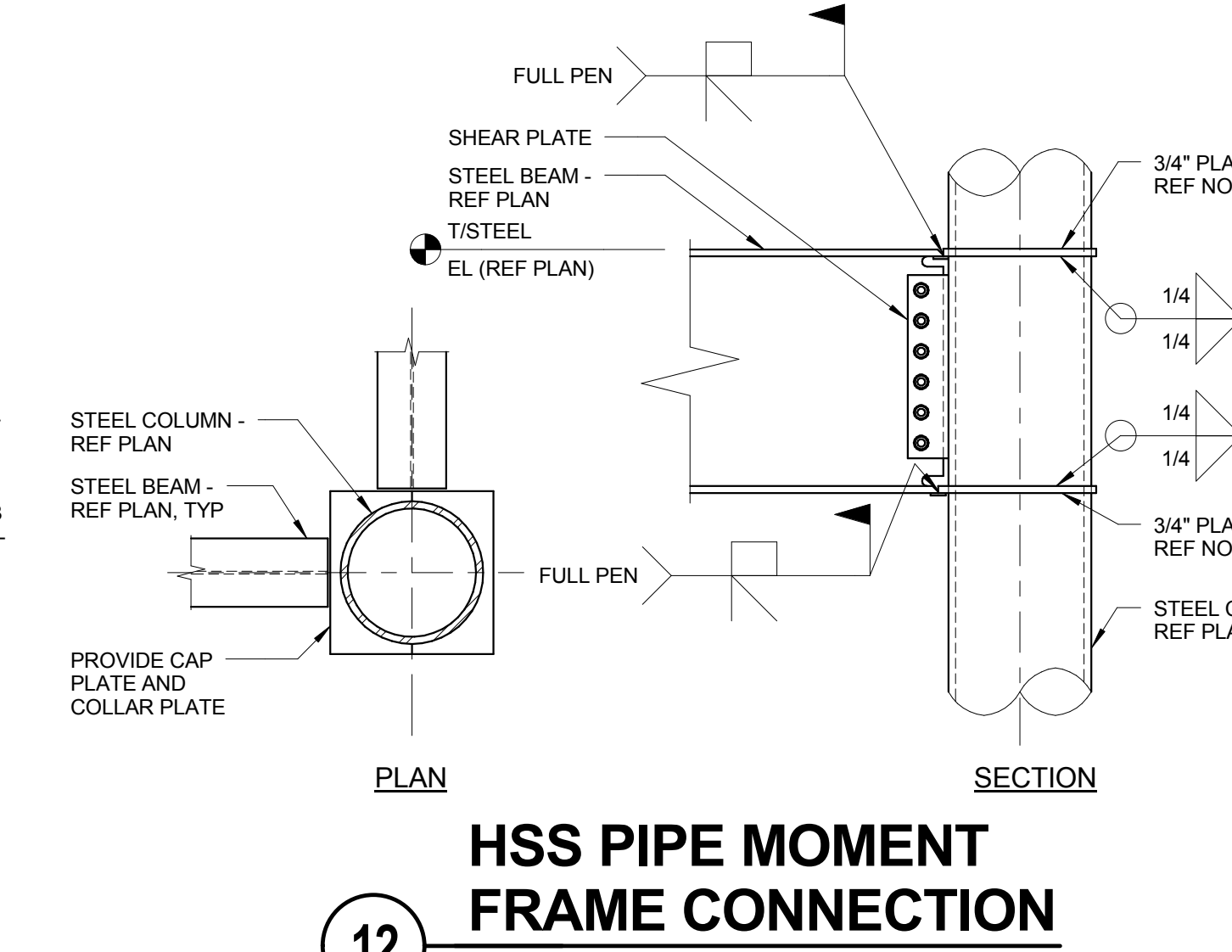
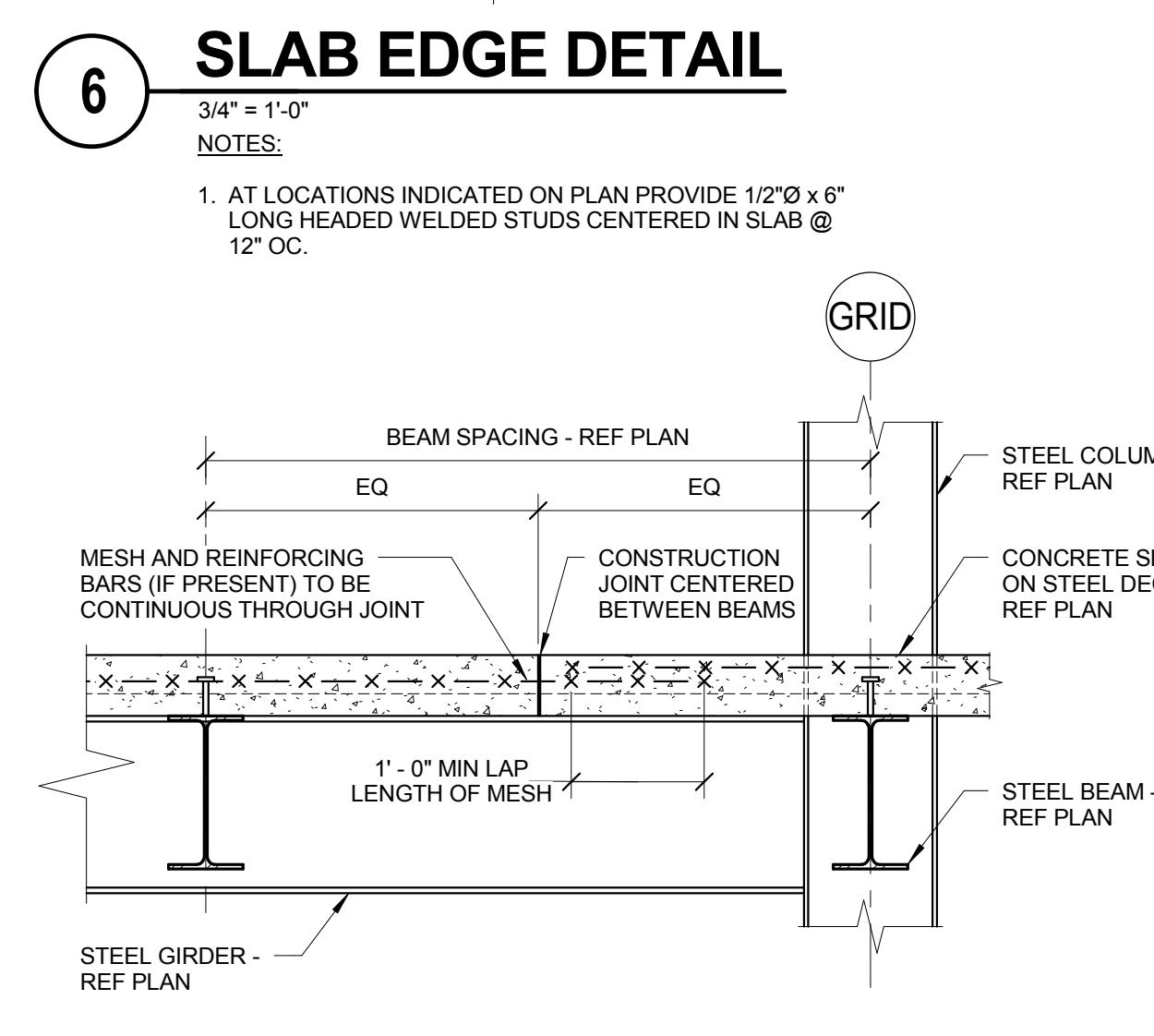
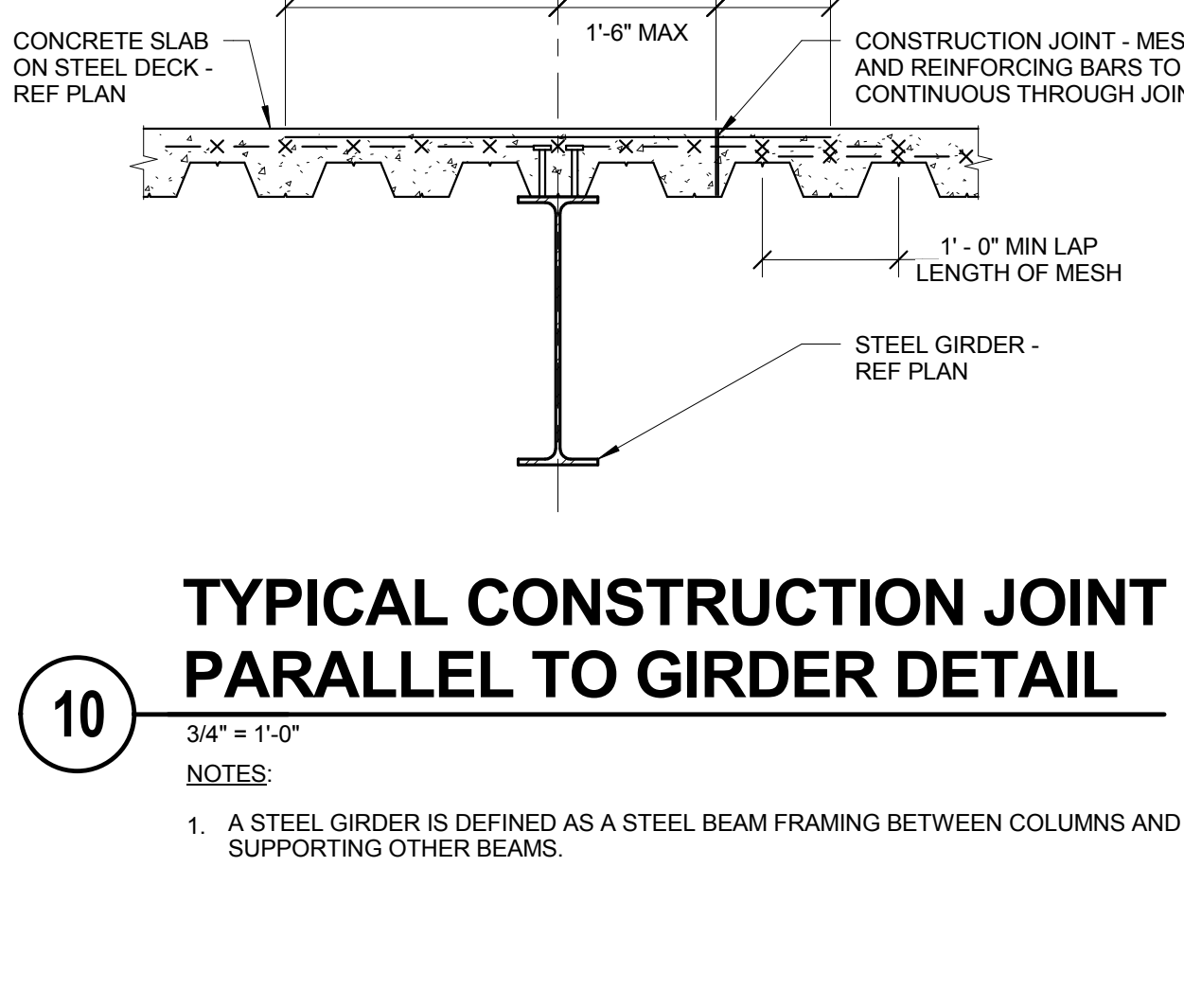
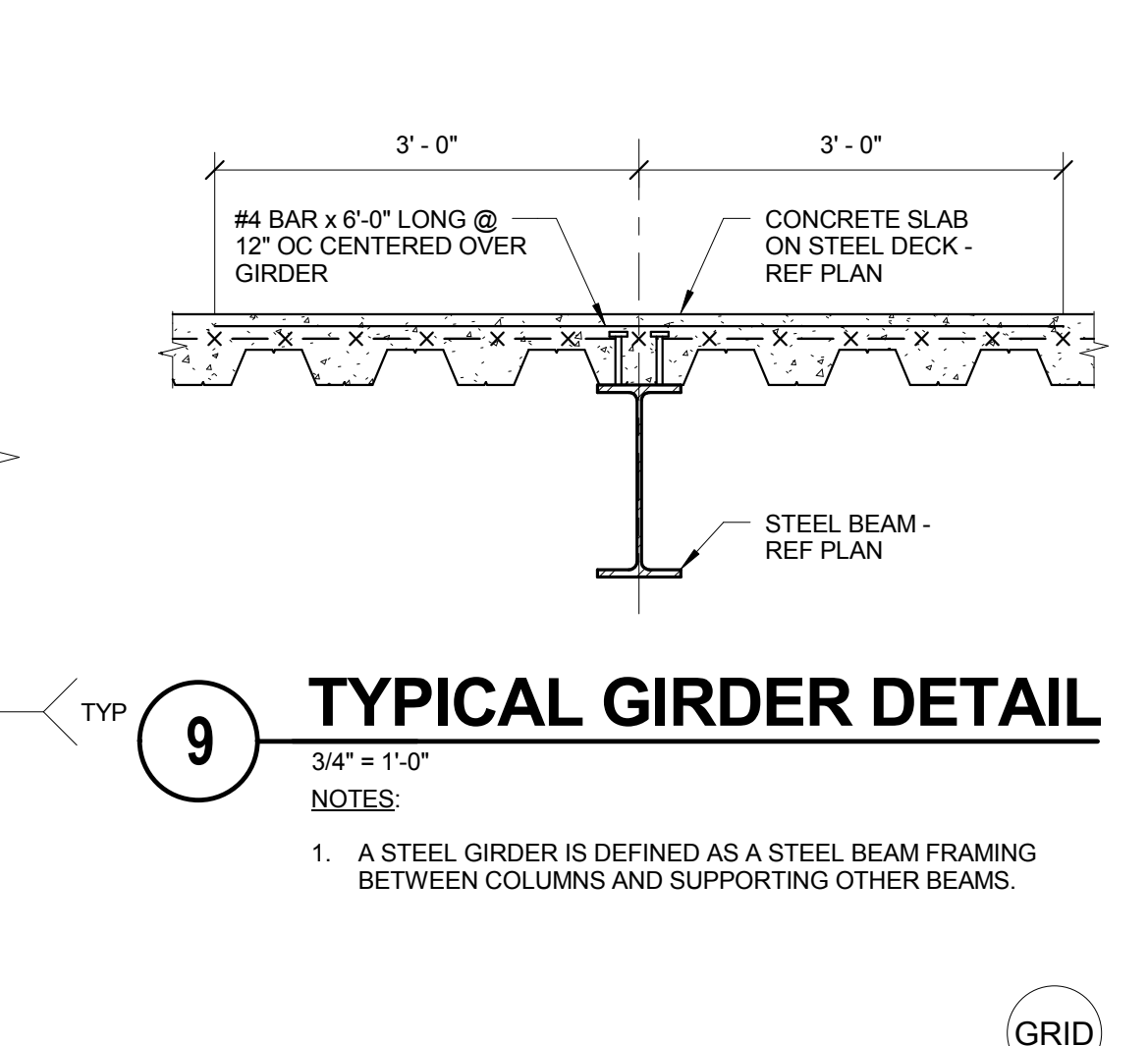
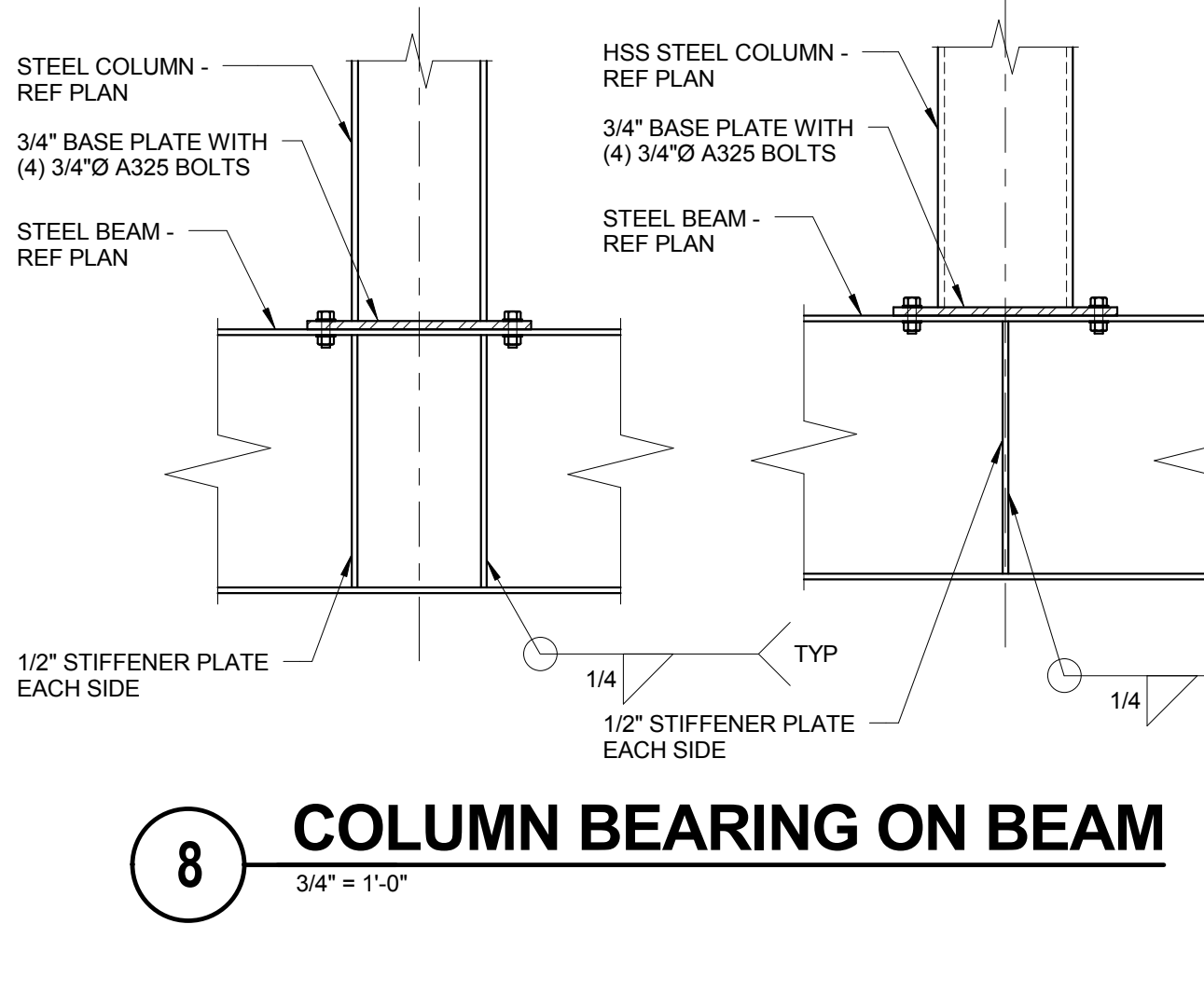
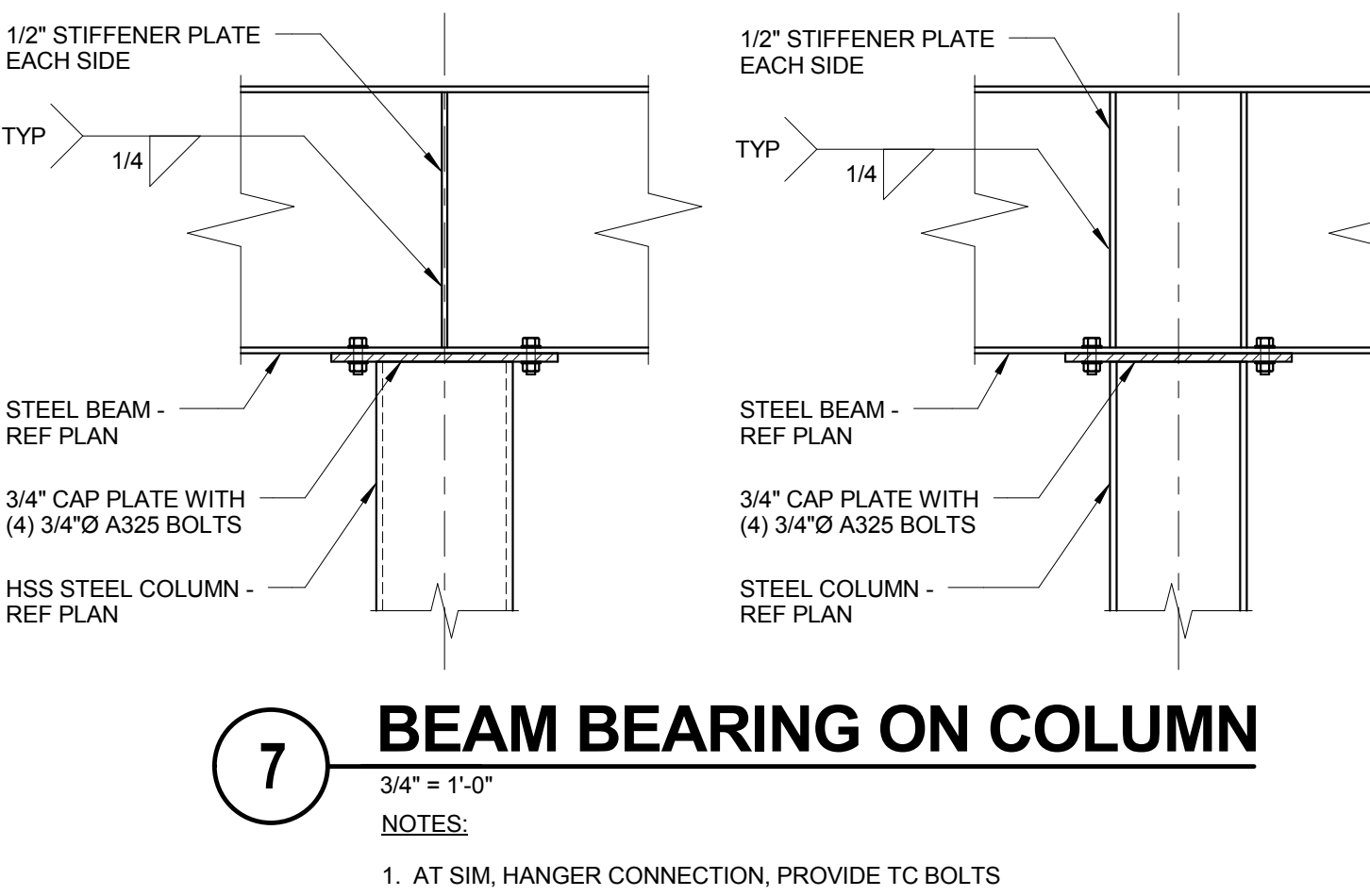
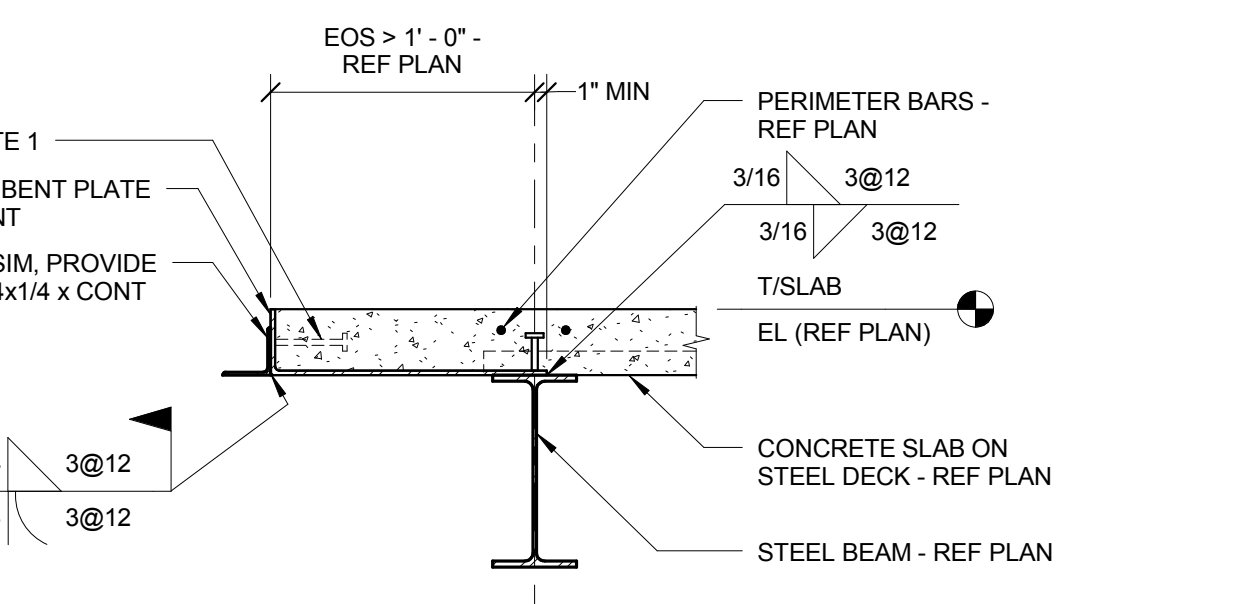
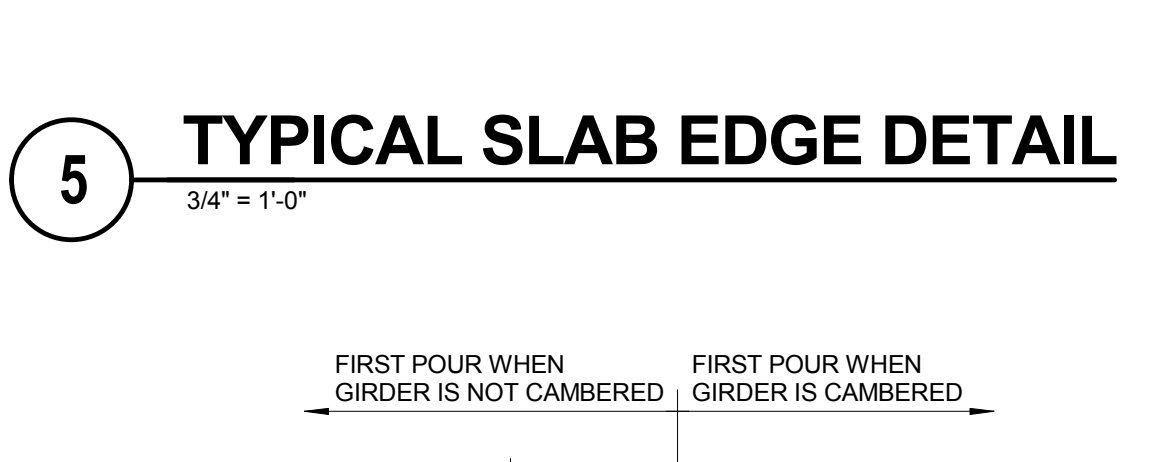
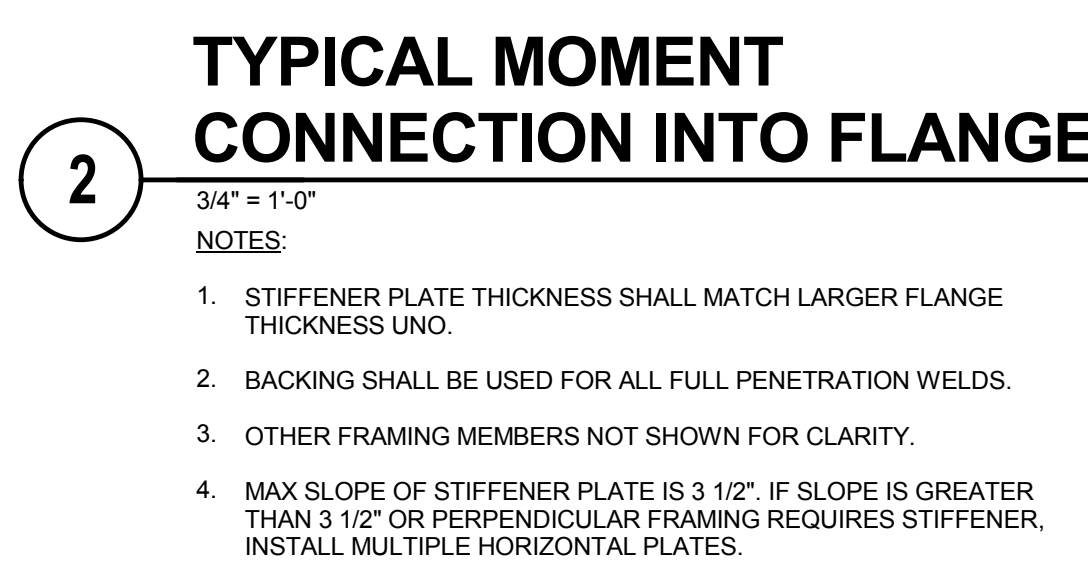
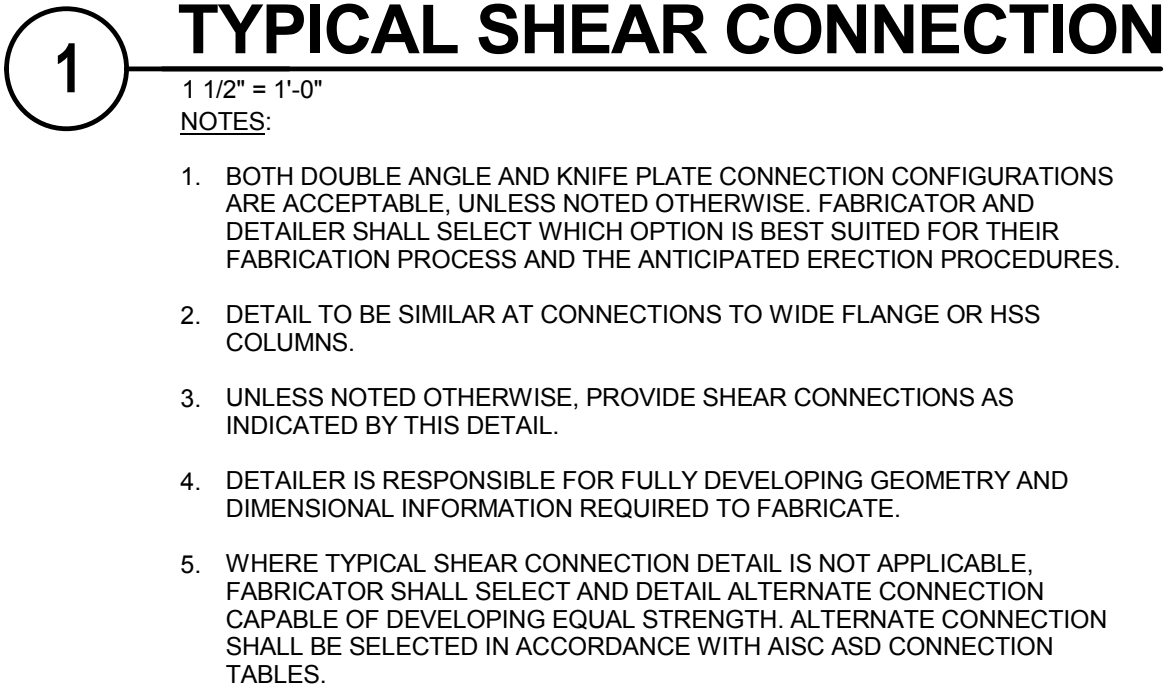
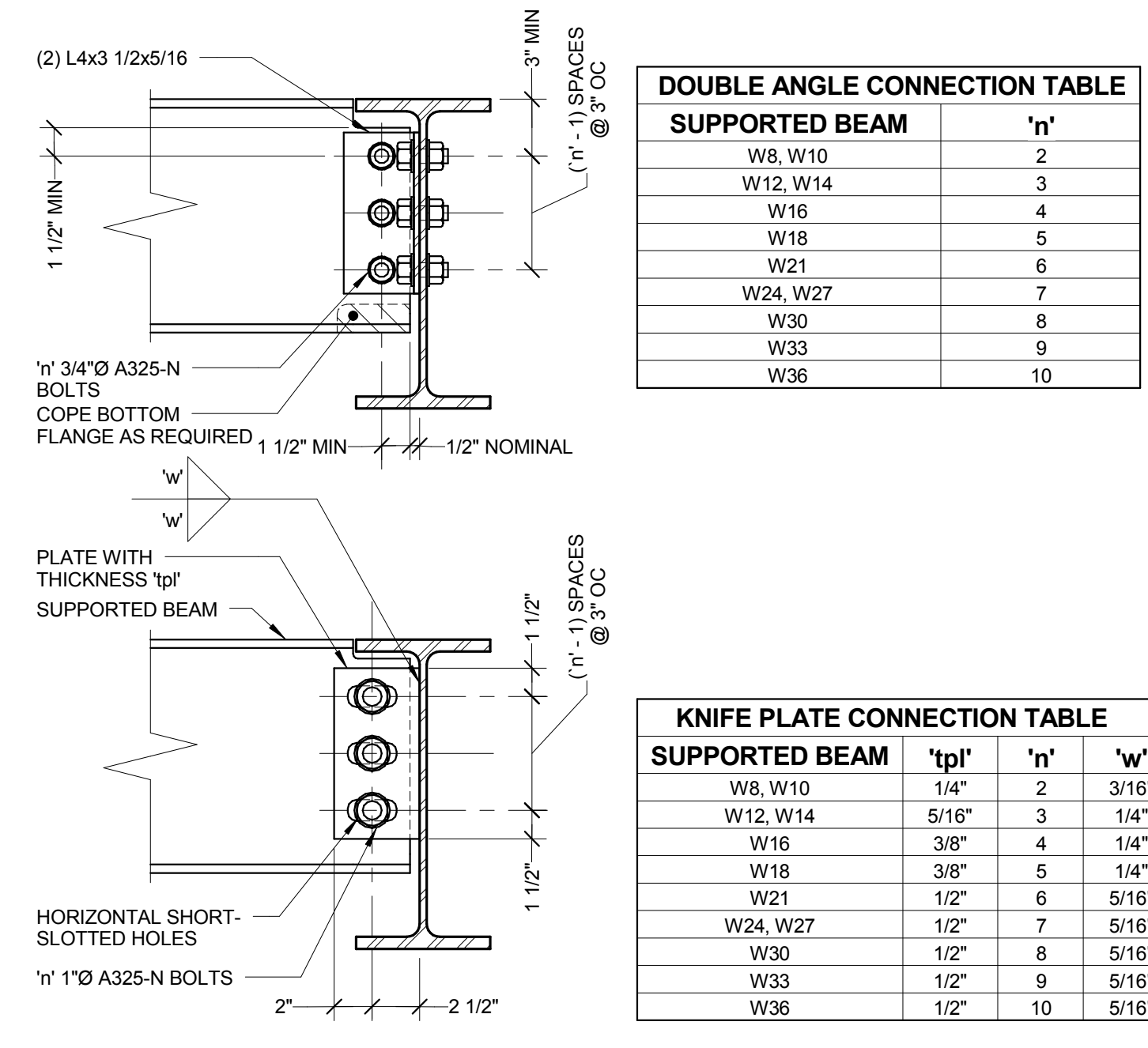
13 DEPRESSED SLAB DETAIL
 3/4" = 1'-0"

- NOTES:
 1. 1/2"Ø x 1'-4" SMOOTH DOWEL BARS AT 18" OC.

14 PIER (P11) DETAIL
 3/4" = 1'-0"

- NOTES:
 1. PROVIDE 3/4" CHAMFER AROUND ENTIRE EDGE OF PIER SIMILAR TO 7/S2.00.





KJWW ENGINEERING CONSULTANTS
 1100 WARRENVILLE ROAD, SUITE 400W
 NAPERVILLE, ILLINOIS 60563
 630.527.2320 FAX: 630.527.2321
 WWW.KJWW.COM

DESIGN
 PROJECT # 14-005.00
 DESIGN DATE: 9/21/15

KJWW ENGINEERING RESERVES PROPRIETARY RIGHTS, INCLUDING COPYRIGHTS, TO THIS DRAWING AND THE DATA THEREON. SAID DRAWING AND/OR DATA ARE THE EXCLUSIVE PROPERTY OF KJWW ENGINEERING AND SHALL NOT BE USED OR REPRODUCED FOR ANY OTHER PROJECT WITHOUT THE EXPRESS WRITTEN APPROVAL AND PARTICIPATION OF KJWW ENGINEERING. © 2015 KJWW, P.C.

NO.	DESCRIPTION:	DATE:

KJWW ENGINEERING CONSULTANTS
 1100 WARRENVILLE ROAD, SUITE 400W
 NAPERVILLE, ILLINOIS 60563
 630.527.2320 FAX: 630.627.2321
 WWW.KJWW.COM
 PROJECT # 14-0443.00
 BRICK DESIGN FIRM REGISTRATION #18-08973

KJWW ENGINEERING RESERVES PROPRIETARY RIGHTS, INCLUDING COPYRIGHTS, TO THIS DRAWING AND THE DATA SHOWN THEREON. SUCH DRAWING AND/OR DATA ARE THE EXCLUSIVE PROPERTY OF KJWW ENGINEERING AND SHALL NOT BE USED OR REPRODUCED FOR ANY OTHER PROJECT WITHOUT THE EXPRESS WRITTEN APPROVAL AND PARTICIPATION OF KJWW ENGINEERING. © 2015 KJWW, P.C.

REFERENCE SCALE IN INCHES
 0 1 2 3

5 TYPICAL STEEL JOIST AT COLUMN
 3/4" = 1'-0"

- NOTES:
 1. GIRDER NOT SHOWN FOR CLARITY.
 2. DECK NOT SHOWN FOR CLARITY.
 3. CONNECTION SHOWN IS BASED ON STEEL JOIST INSTITUTE REQUIREMENTS FOR K-SERIES BAR JOISTS.

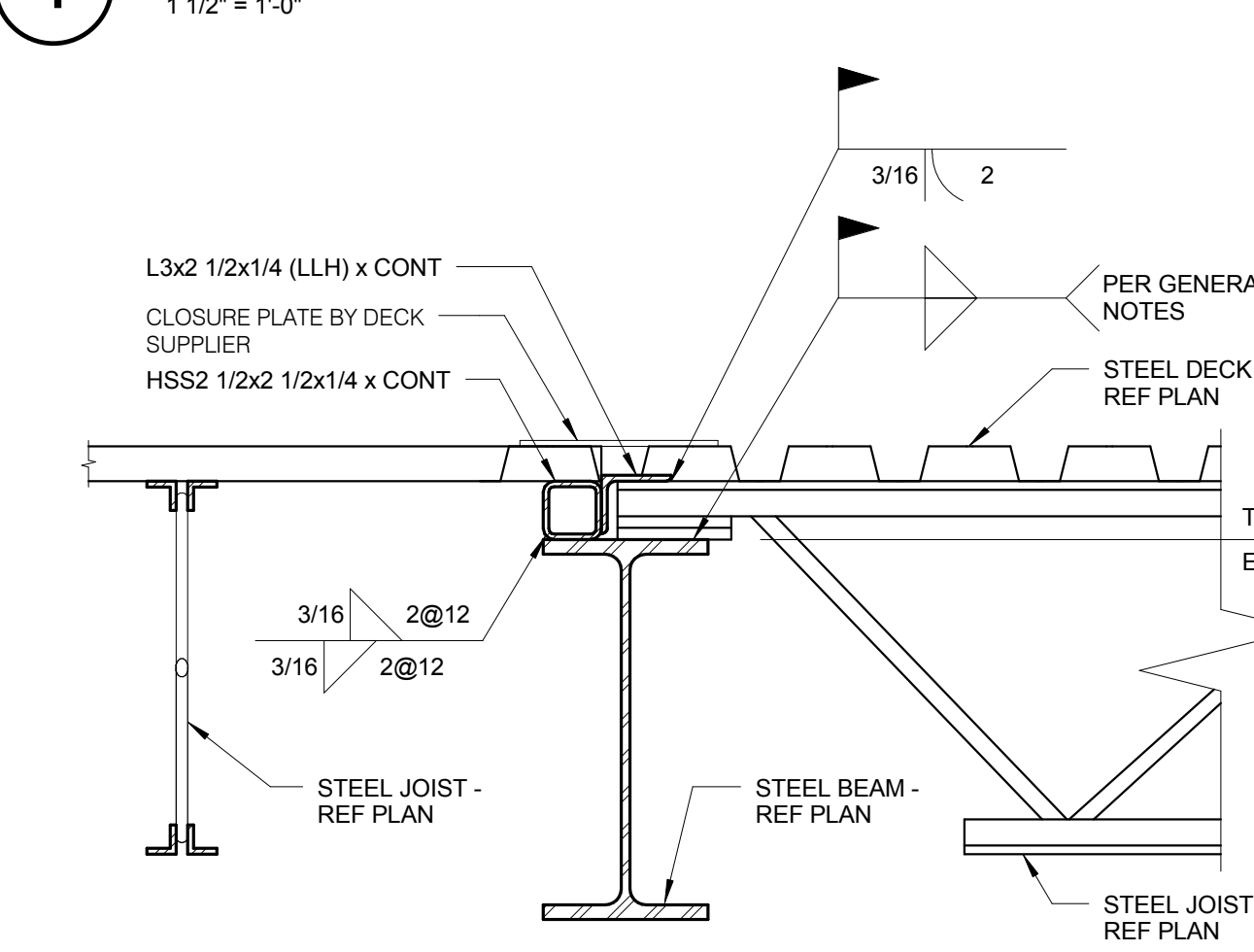
4 SECTION AT ROOF GIRDER
 1 1/2" = 1'-0"

3 TYPICAL JOIST BEARING DETAIL
 1 1/2" = 1'-0"

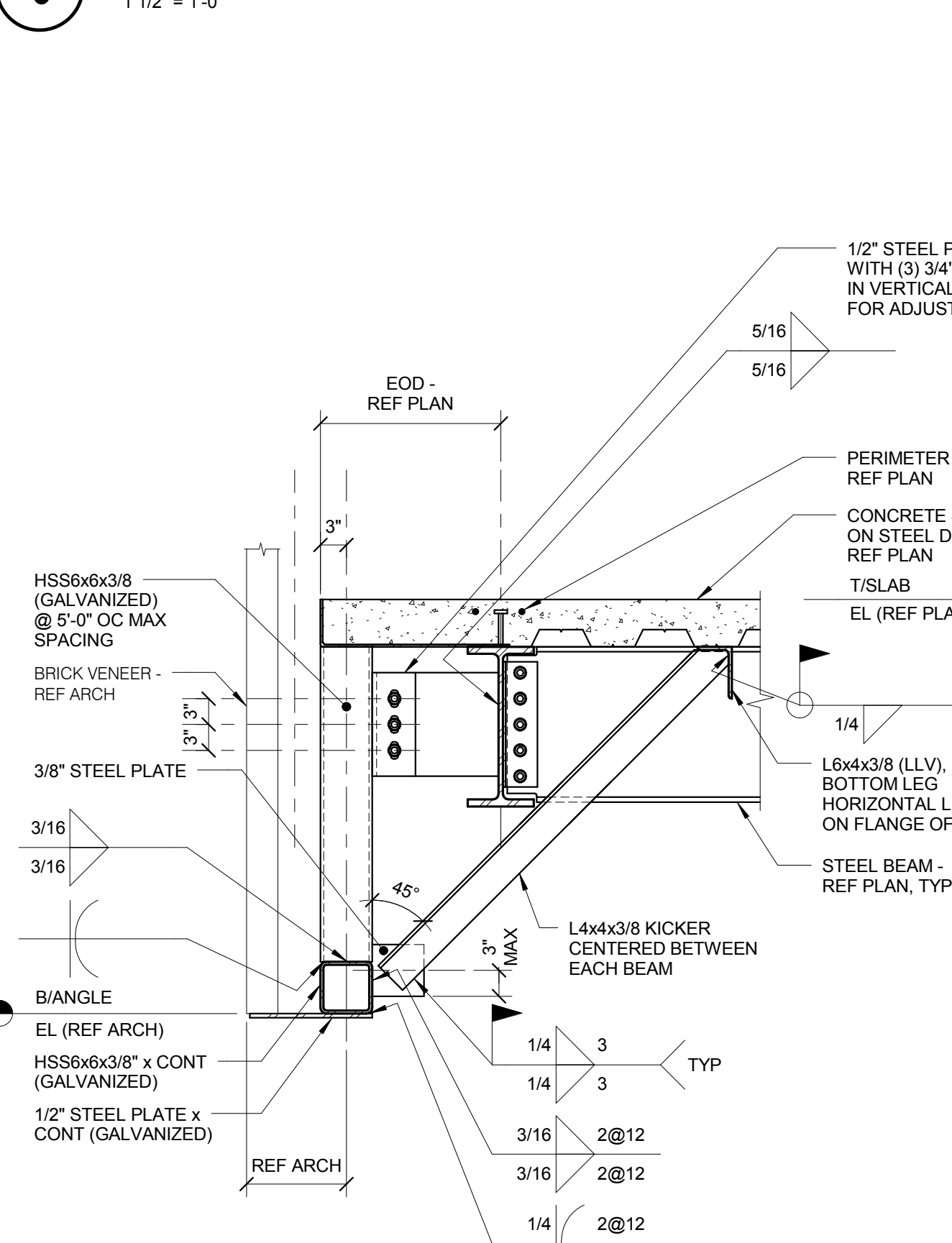
- NOTES:
 1. JOISTS AT OR IMMEDIATELY ADJACENT TO COLUMNS SHALL BE BOLTED WITH (2) BOLTS ON BEAM GAGE. REFER TO GENERAL NOTES FOR BOLT DIAMETER.

2 TYPICAL ROOF EDGE DETAIL
 1 1/2" = 1'-0"

1 TYPICAL CLOSURE PLATE DETAIL
 1 1/2" = 1'-0"

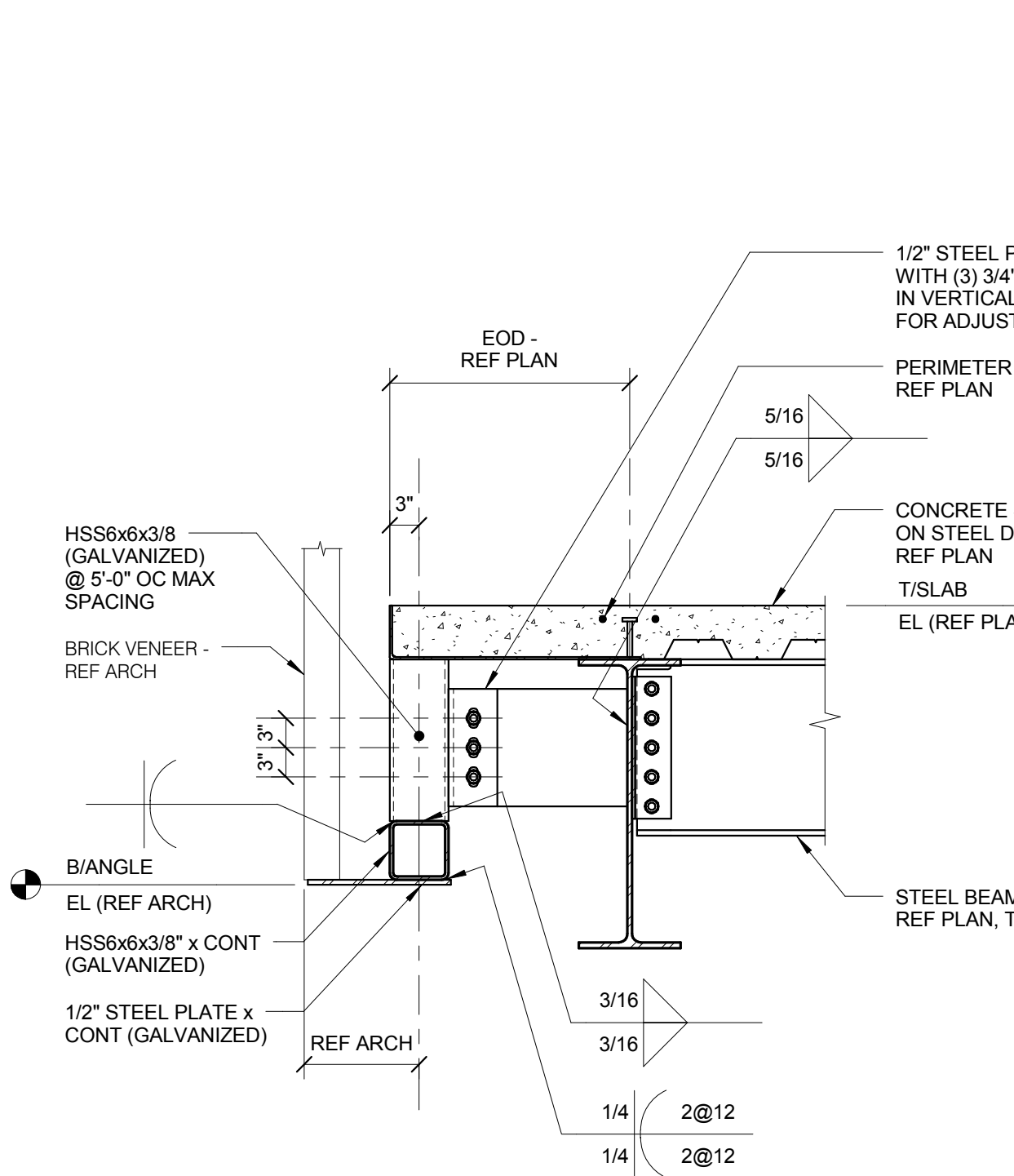


6 TYPICAL DECK DIRECTION CHANGE
 1 1/2" = 1'-0"



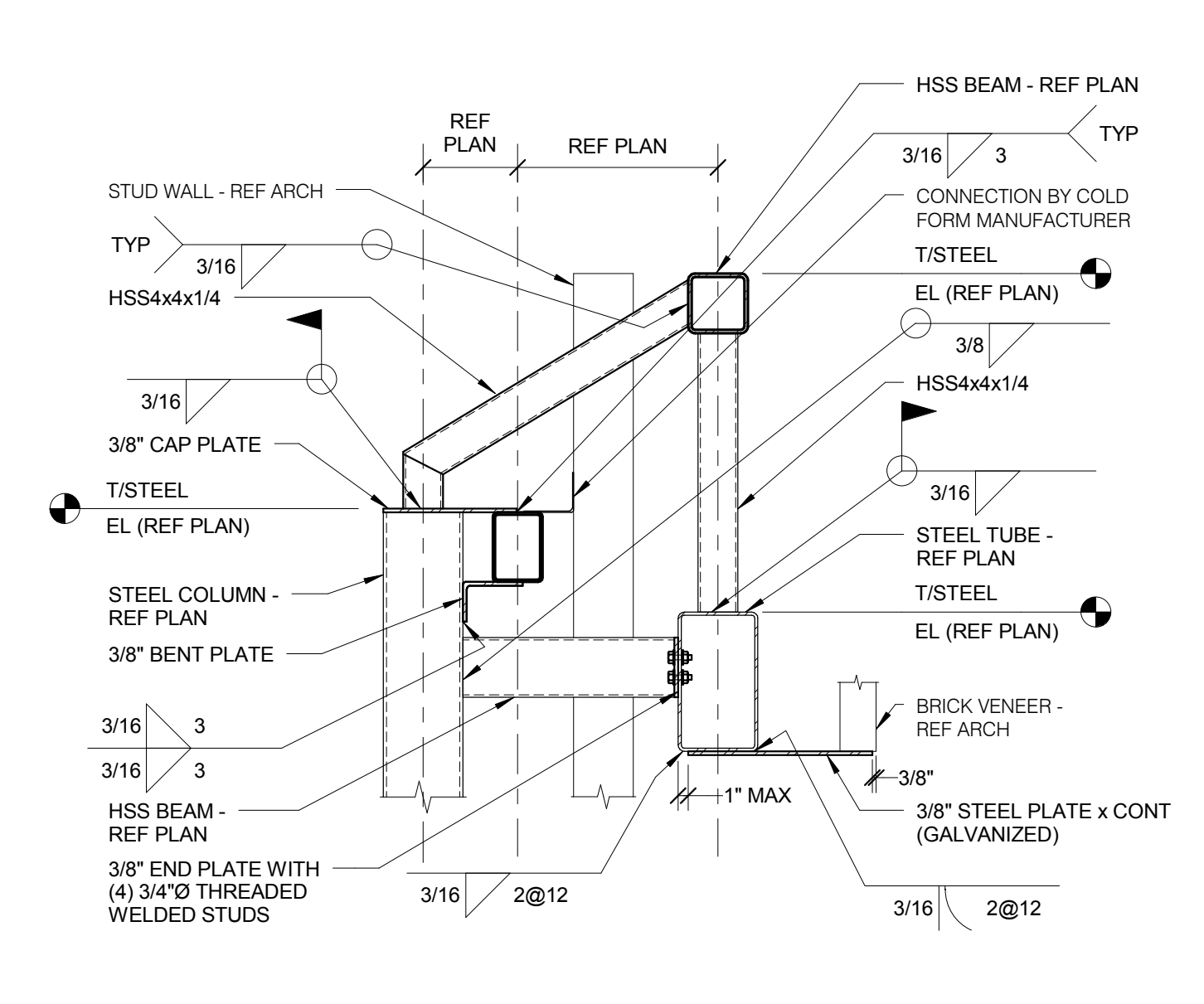
7 DECK OPENING FRAMING DETAIL
 3/4" = 1'-0"

- NOTES:
 1. USE ABOVE FRAMING AT ALL OPENINGS EXCEEDING 1'-0" UNO.
 2. REFERENCE ARCHITECTURAL AND MECHANICAL DRAWINGS FOR SIZE AND LOCATION OF ALL OPENINGS.
 3. ROOF OPENING FRAMING NOT REQUIRED AT SIDE DISCHARGE ROOF DRAINS. COORDINATE WITH MECHANICAL CONTRACTOR.



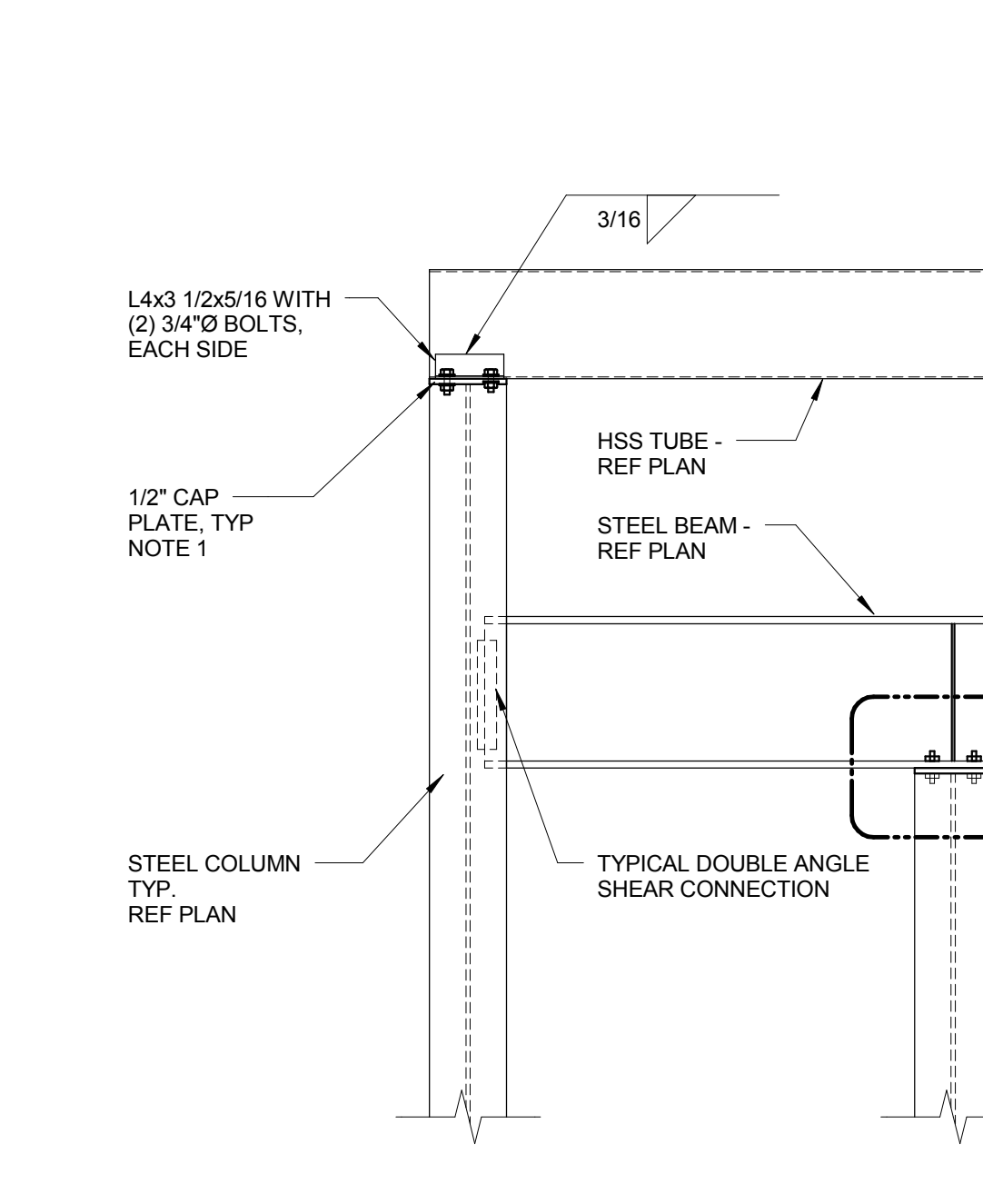
8 JOIST MODIFICATION DETAIL
 1 1/2" = 1'-0"

- NOTES:
 1. FOR ATTACHMENTS TO JOISTS THAT ARE CONCENTRICALLY LOADED ON THE JOIST, A MAXIMUM OF 100 POUNDS MAY BE ATTACHED TO THE JOIST WITHIN A CHORD PANEL WITHOUT AN ADDITIONAL ANGLE. FOR ATTACHMENTS TO JOIST THAT ARE ECCENTRICALLY LOADED, A MAXIMUM OF 25 POUNDS MAY BE ATTACHED TO THE JOIST WITHIN A CHORD PANEL WITHOUT AN ADDITIONAL ANGLE. MULTIPLE ATTACHMENTS ARE ALLOWED IN EACH CHORD PANEL AS LONG AS THE SUM OF THE LOADS DO NOT EXCEED THE MAXIMUM LOAD INDICATED.
 2. FOR LOADS BETWEEN 100 POUNDS AND 200 POUNDS, ADDITIONAL ANGLES ARE REQUIRED AND JOIST MUST BE CONCENTRICALLY LOADED.
 3. FOR LOADING CONDITIONS IN NOTES 1 AND 2 ABOVE, TOTAL SUM OF LOADS SHALL NOT EXCEED 200 LBS FOR AN 8 FOOT SEGMENT OF JOIST. FOR LOADS GREATER THAN 200 POUNDS AND NOT NOTED ON THE DRAWINGS, CONTACT ENGINEER PRIOR TO INSTALLATION.
 4. NO LOADS SHALL BE SUPPORTED FROM JOIST BRIDGING.



9 ROOF OVERHANG SUPPORT
 3/4" = 1'-0"

- NOTES:
 1. PROVIDE WELD AT EVERY OTHER HSS.
 2. COORDINATE TUBE LOCATIONS WITH FLUTES OF STEEL DECK.



13 HSS SCREEN WALL SUPPORT AT COLUMN
 3/4" = 1'-0"

- NOTES:
 1. CAP PLATE TO EXTEND OUT PAST COLUMN FLANGE AS NEEDED TO PICK UP TUBE AND BEAM.



12 HSS SCREEN WALL SUPPORT AT COLUMN
 3/4" = 1'-0"

- NOTES:
 1. AT SIM BEAM RUNS CONTINUOUS PAST HSS CANTILEVER. PROVIDE TYPICAL DOUBLE ANGLE CONNECTION OFF OF HSS CANTILEVER TO PICK UP BEAM.



11 SUSPENDED LINTEL DETAIL
 3/4" = 1'-0"

- NOTES:
 1. REFER TO 6/S3-00 FOR INFO NOT SHOWN.

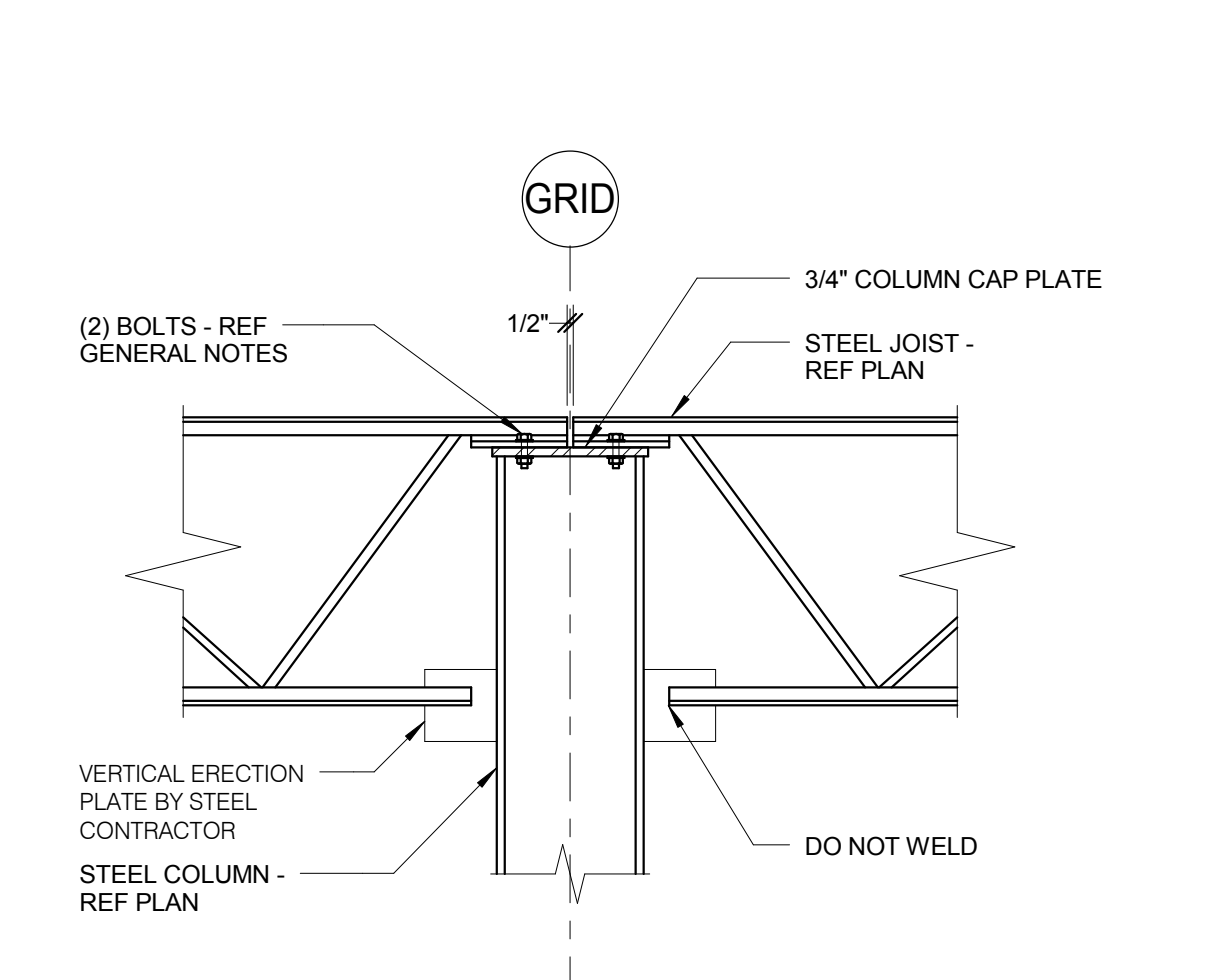
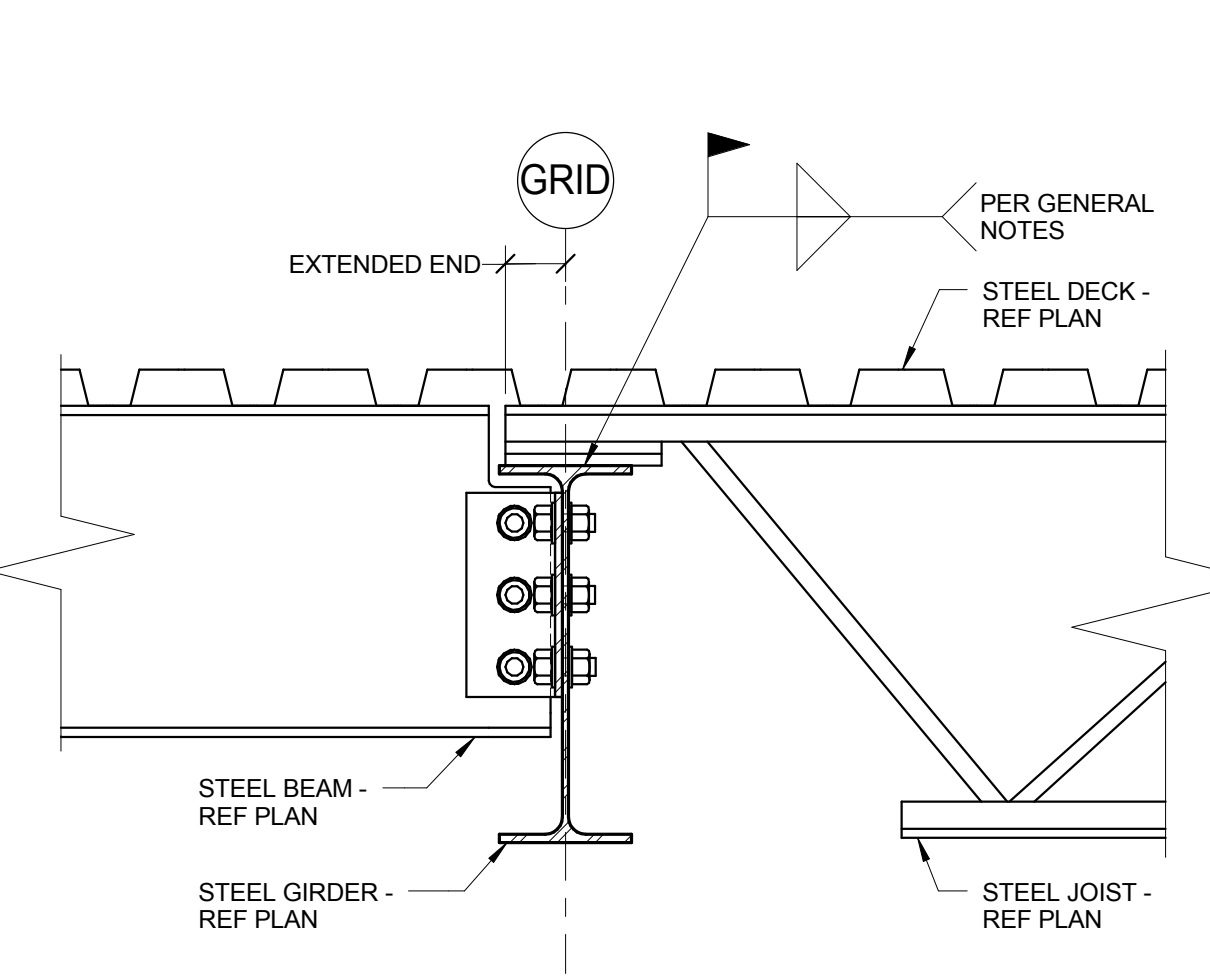
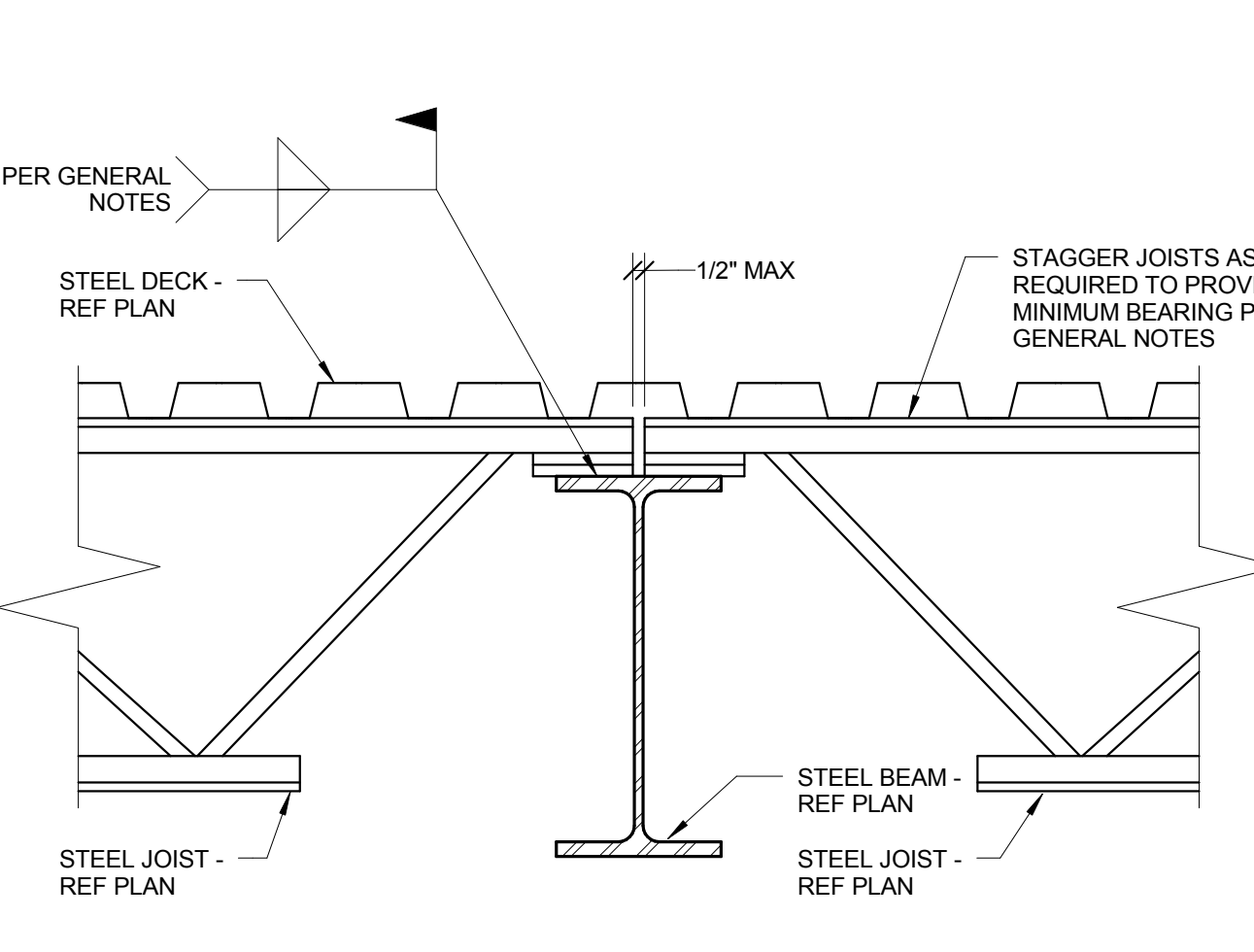
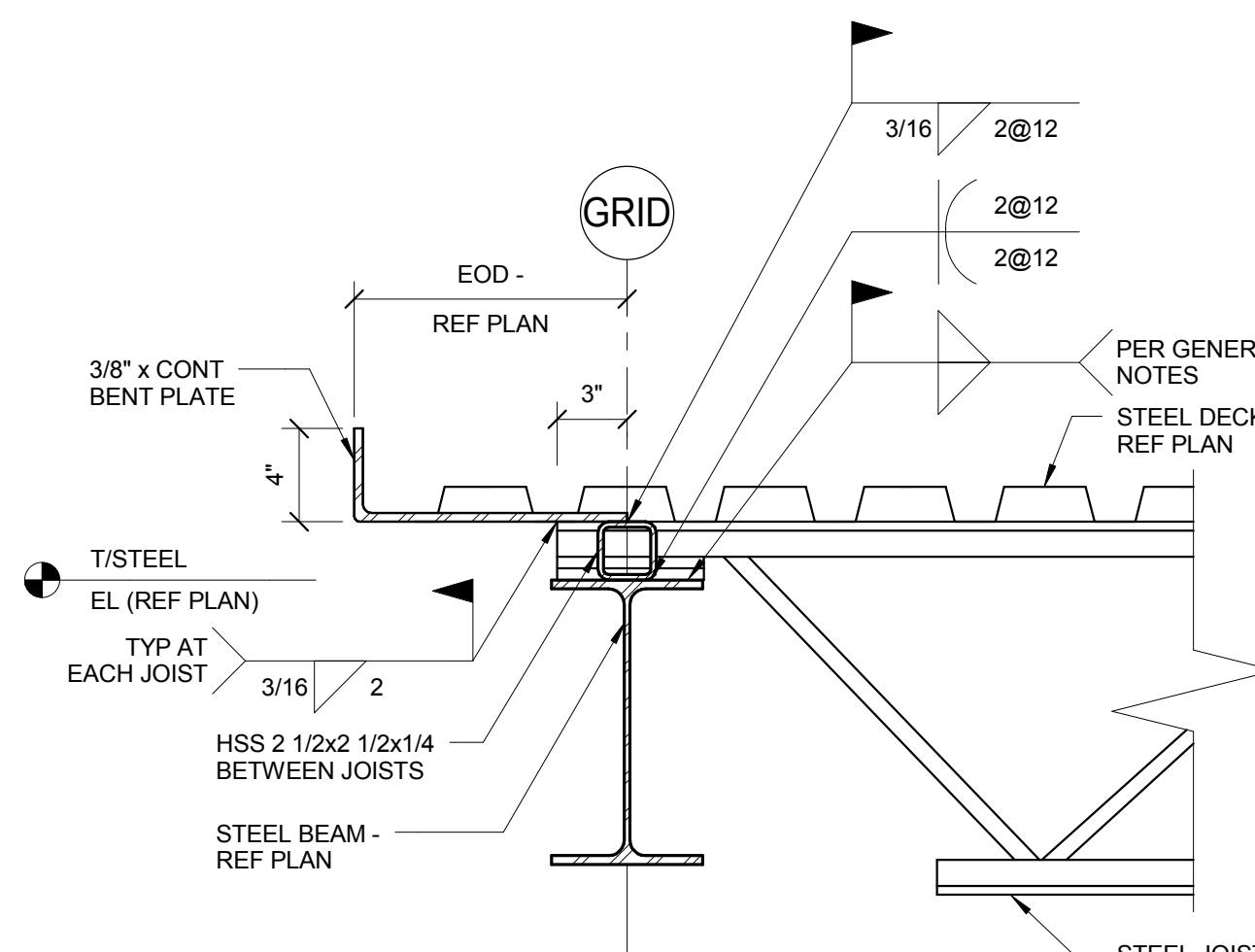
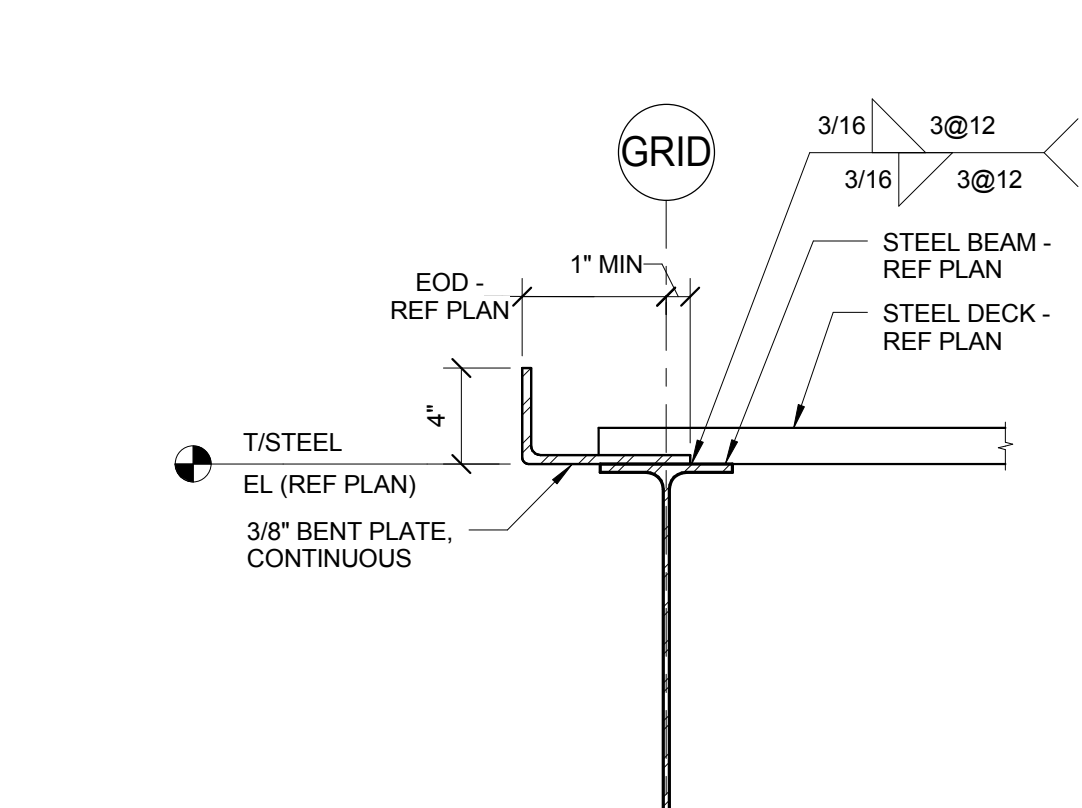
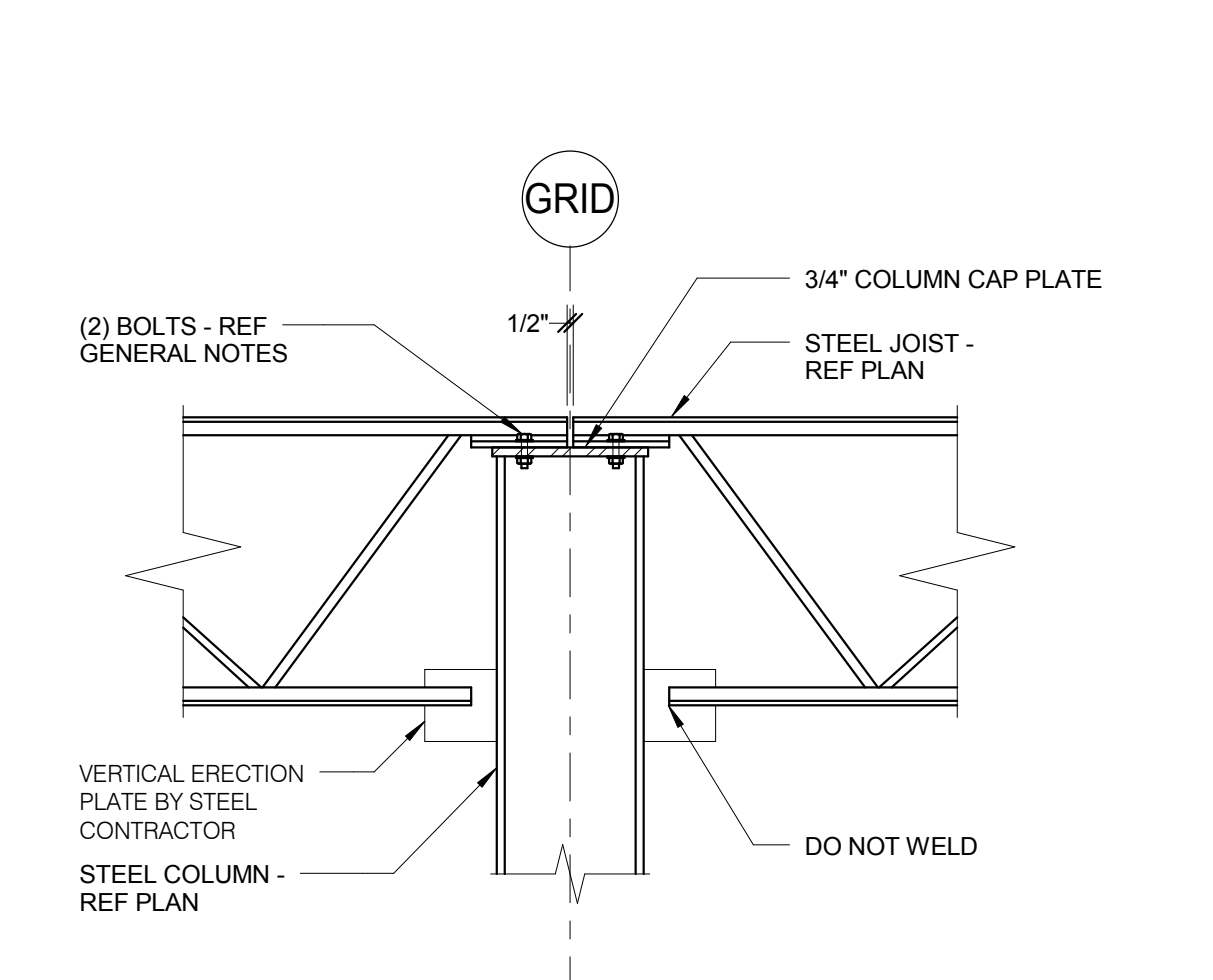
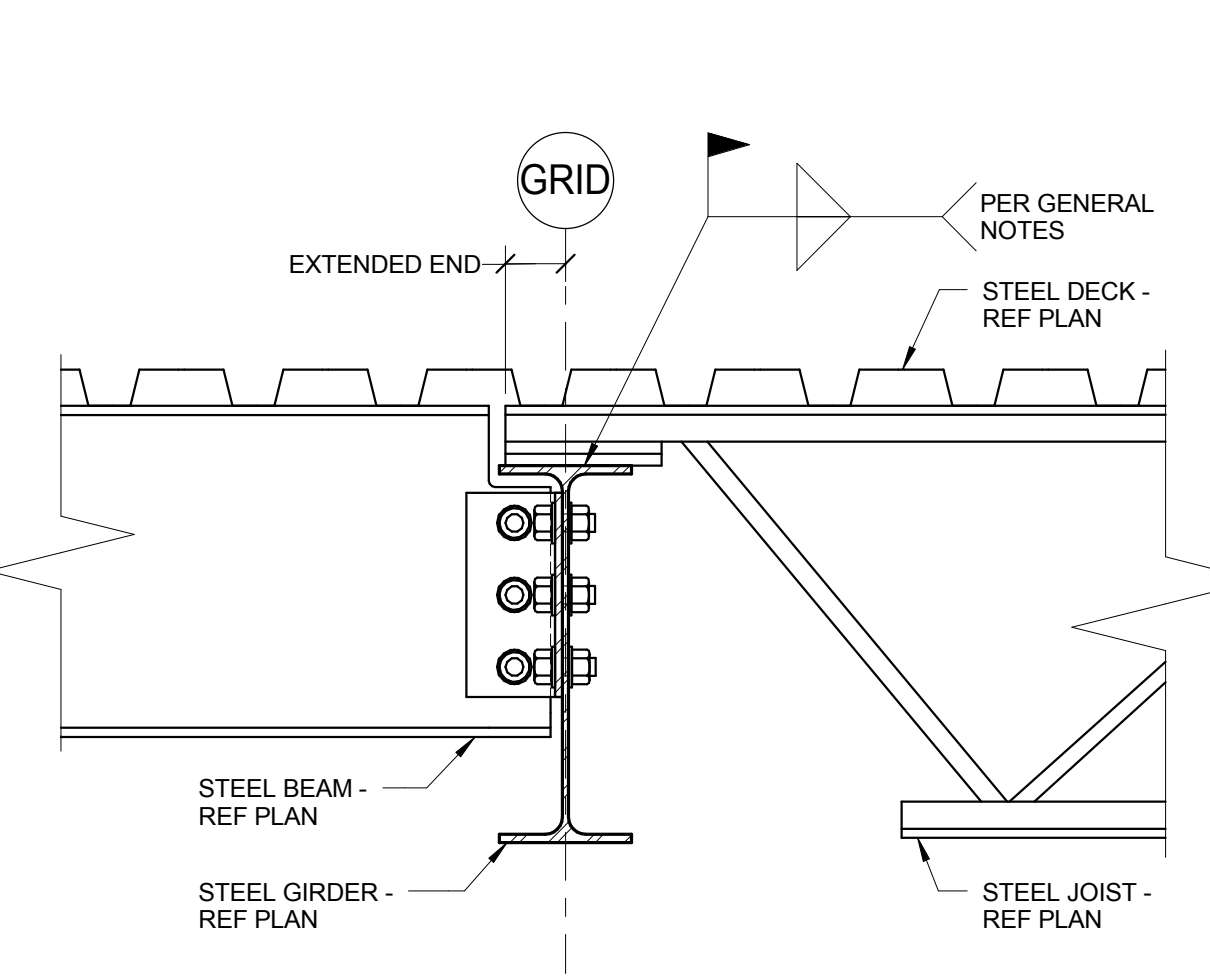
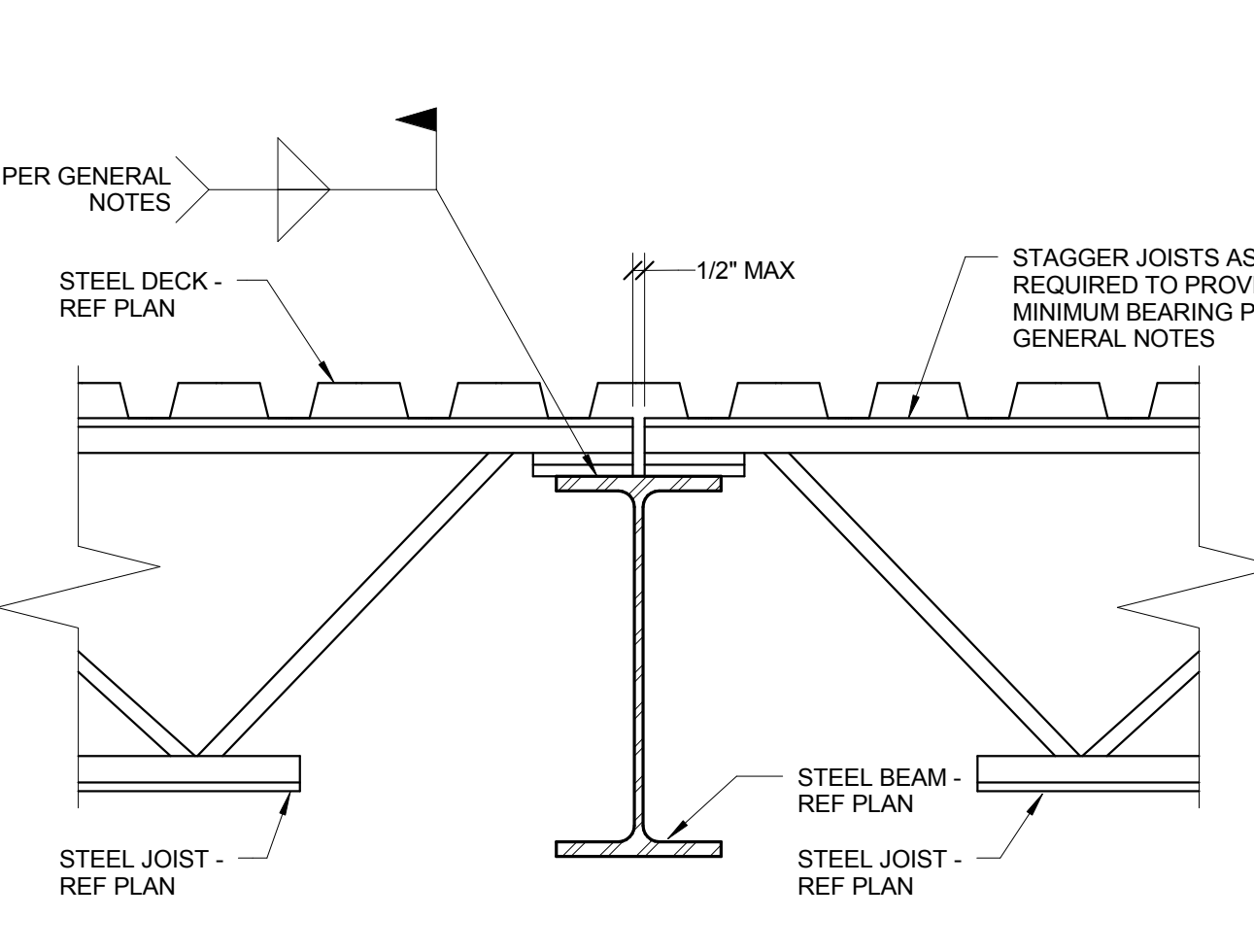
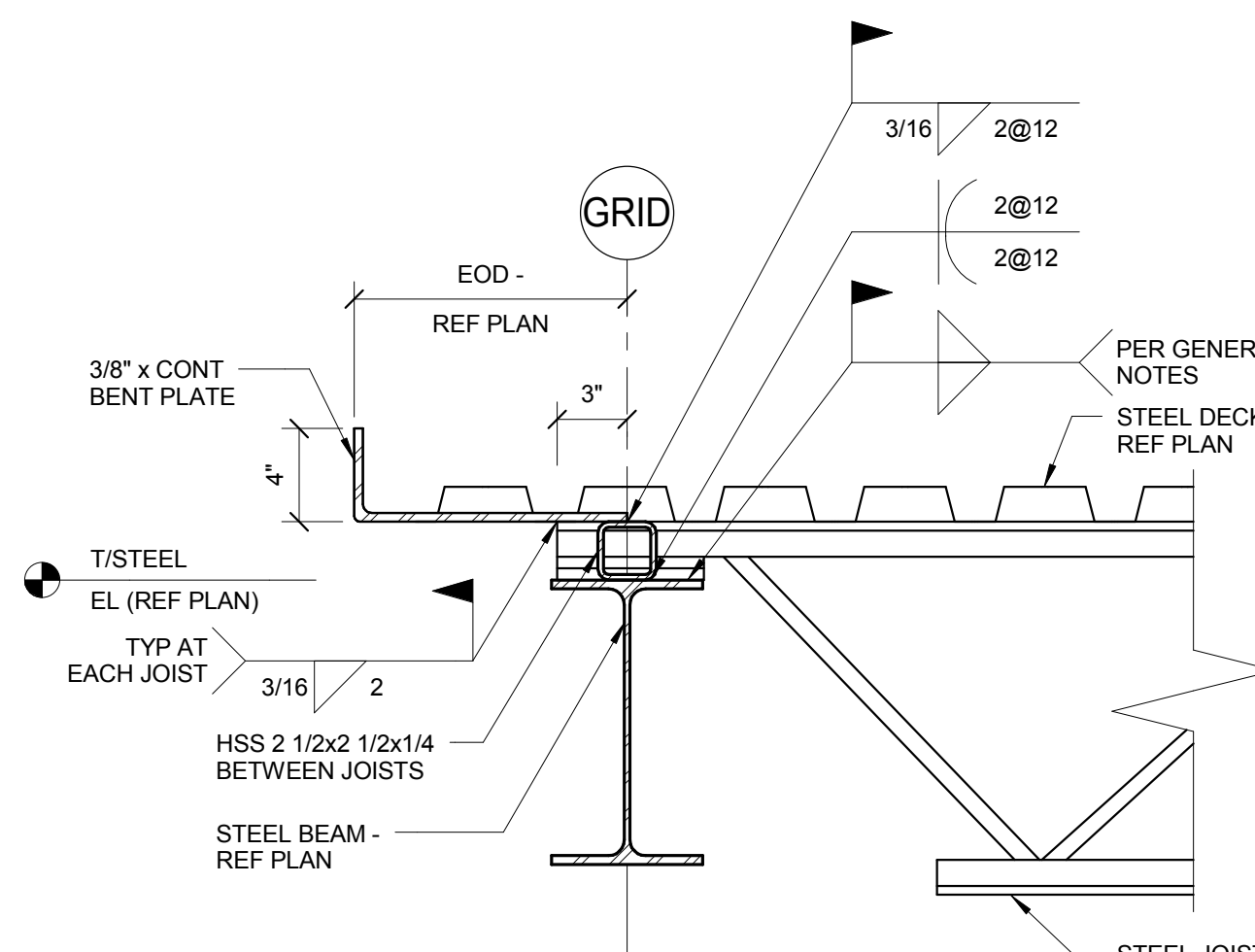
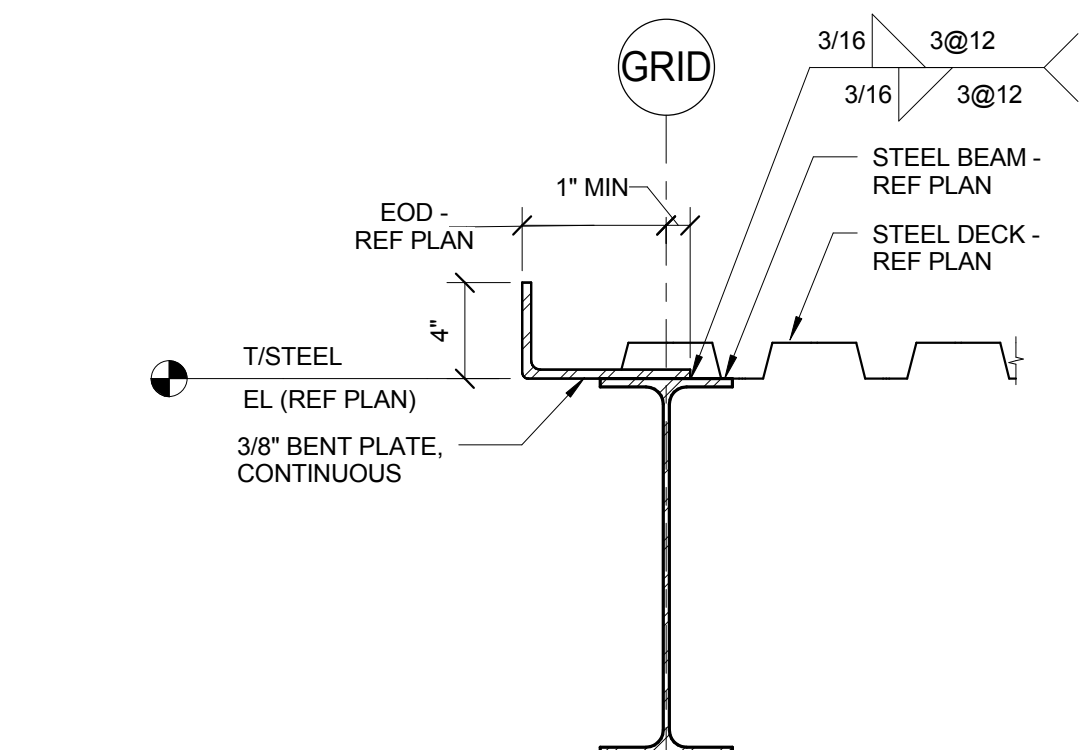
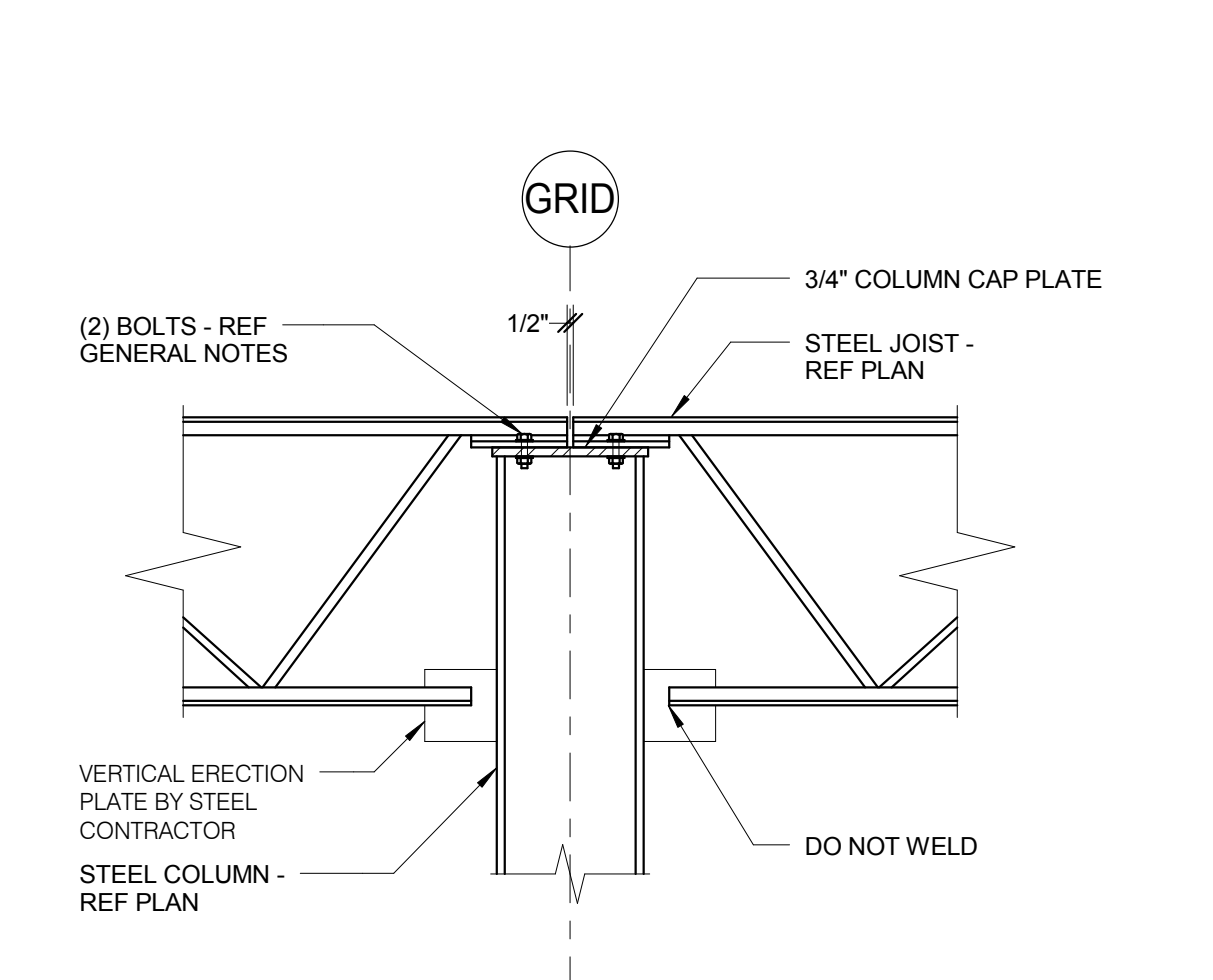
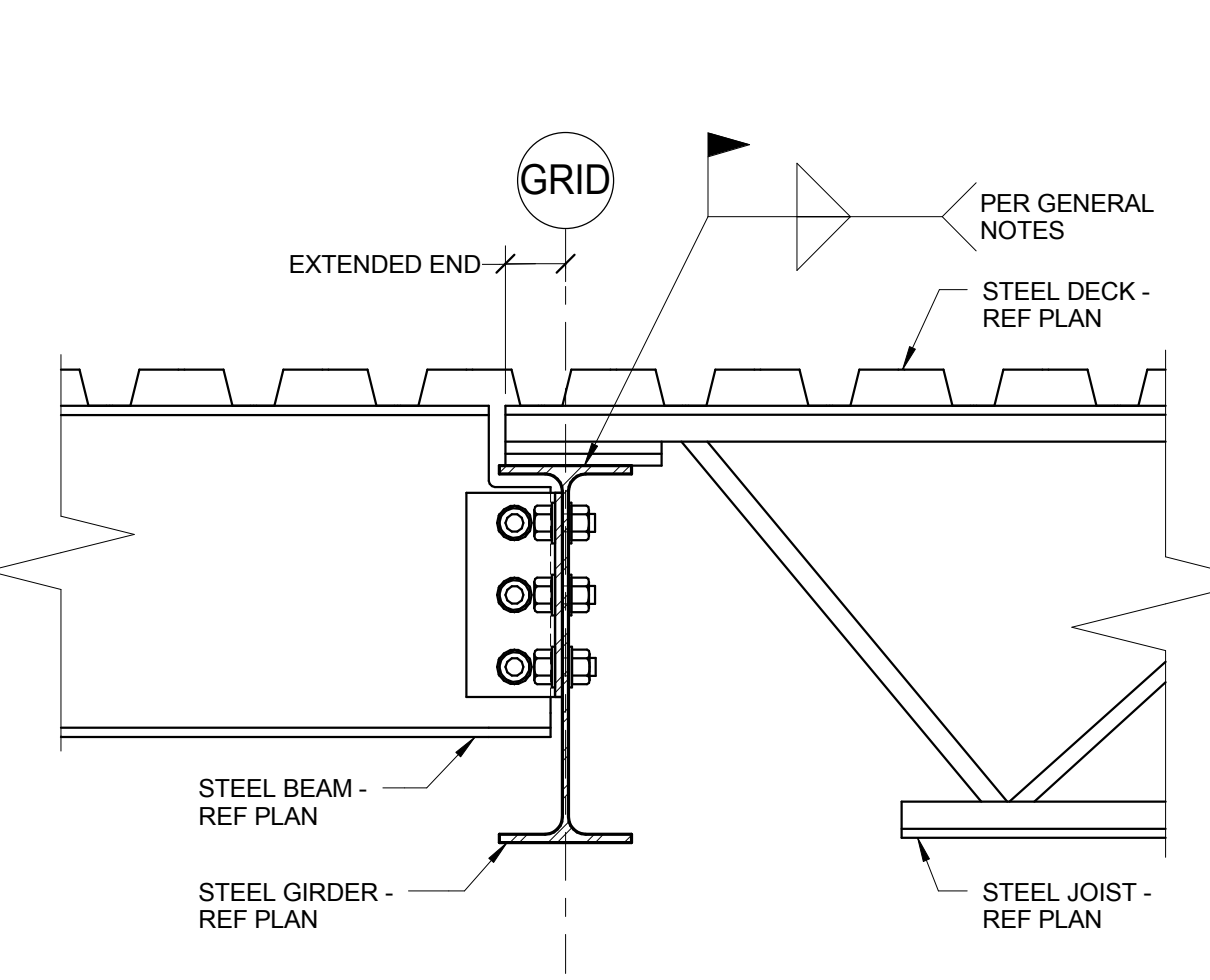
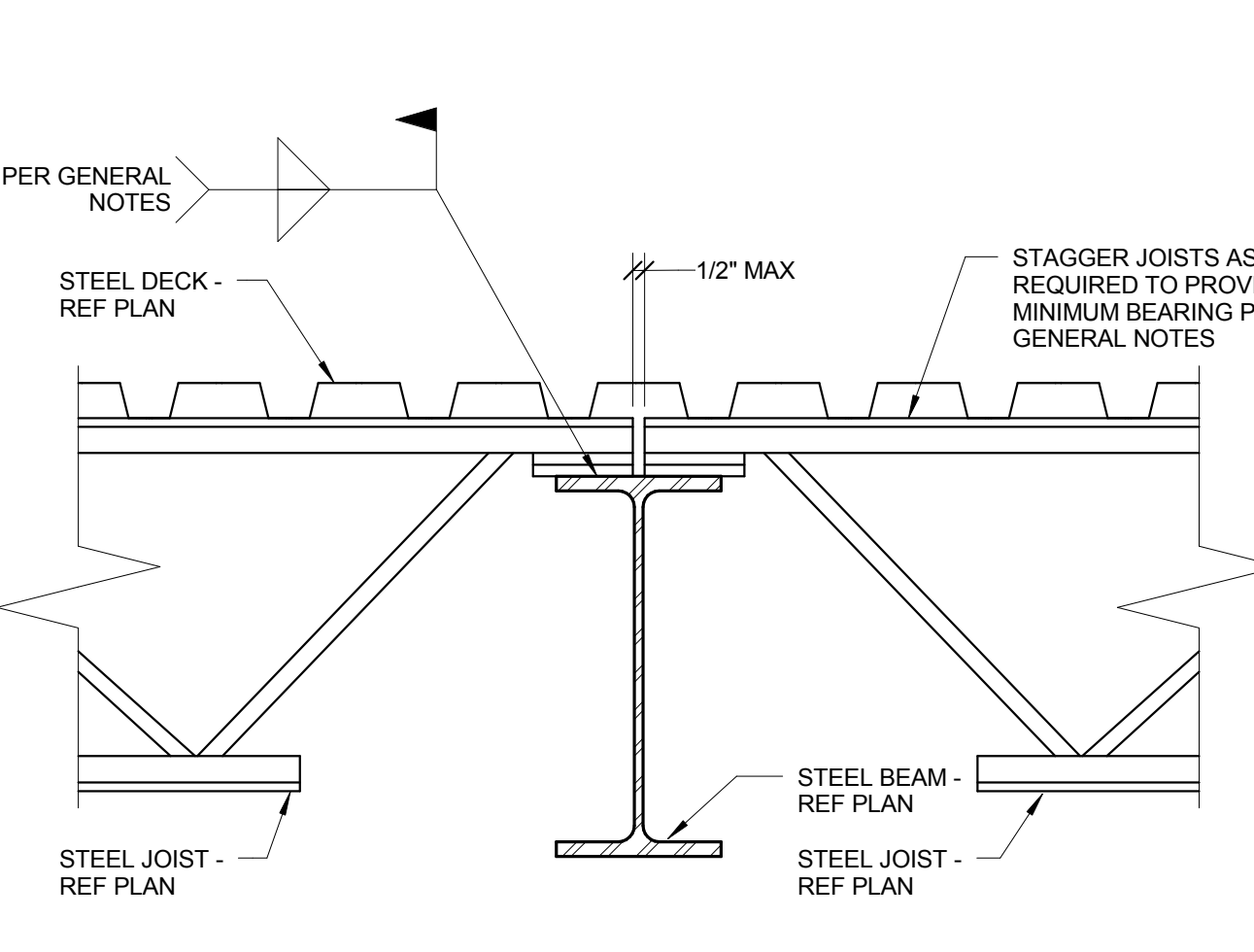
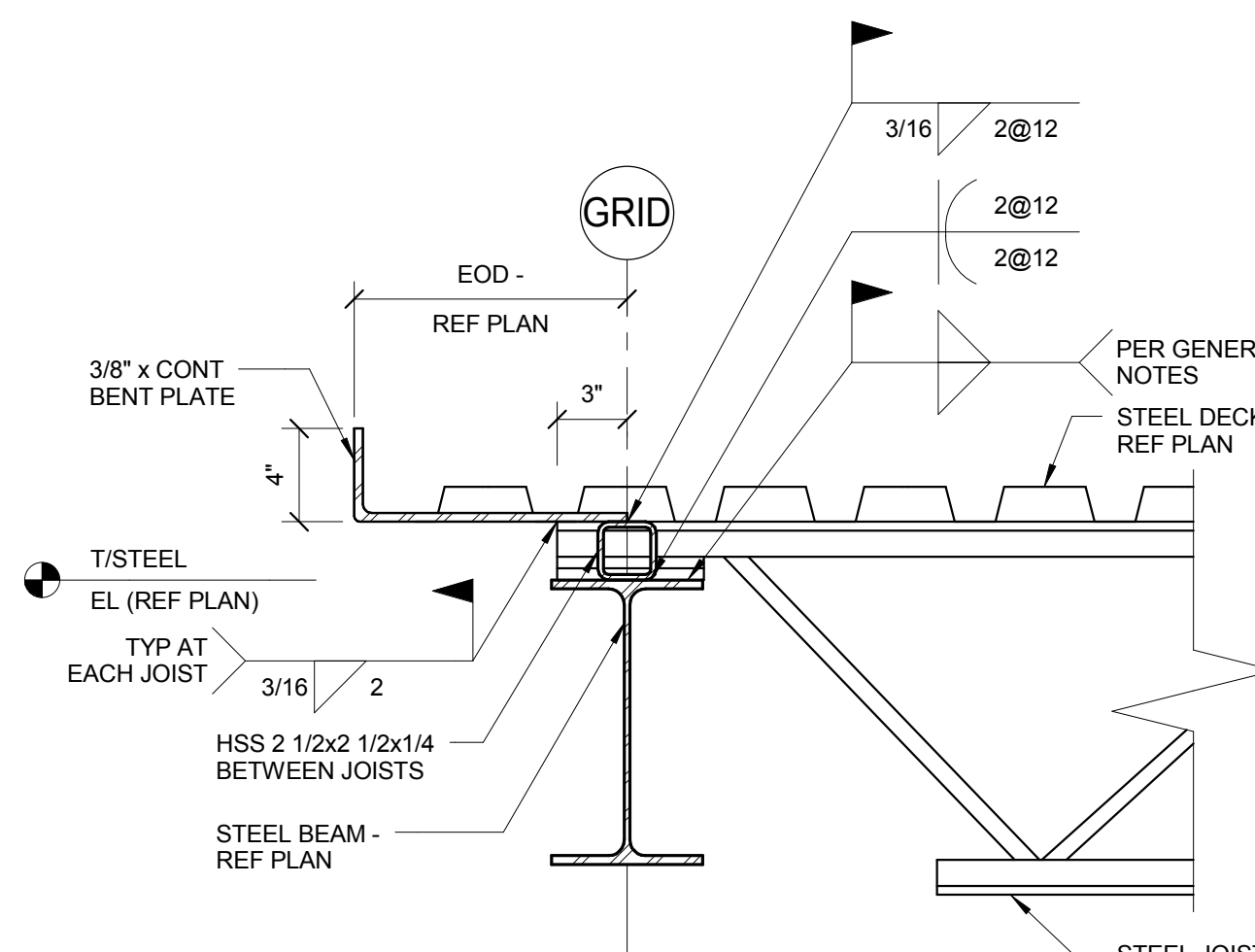
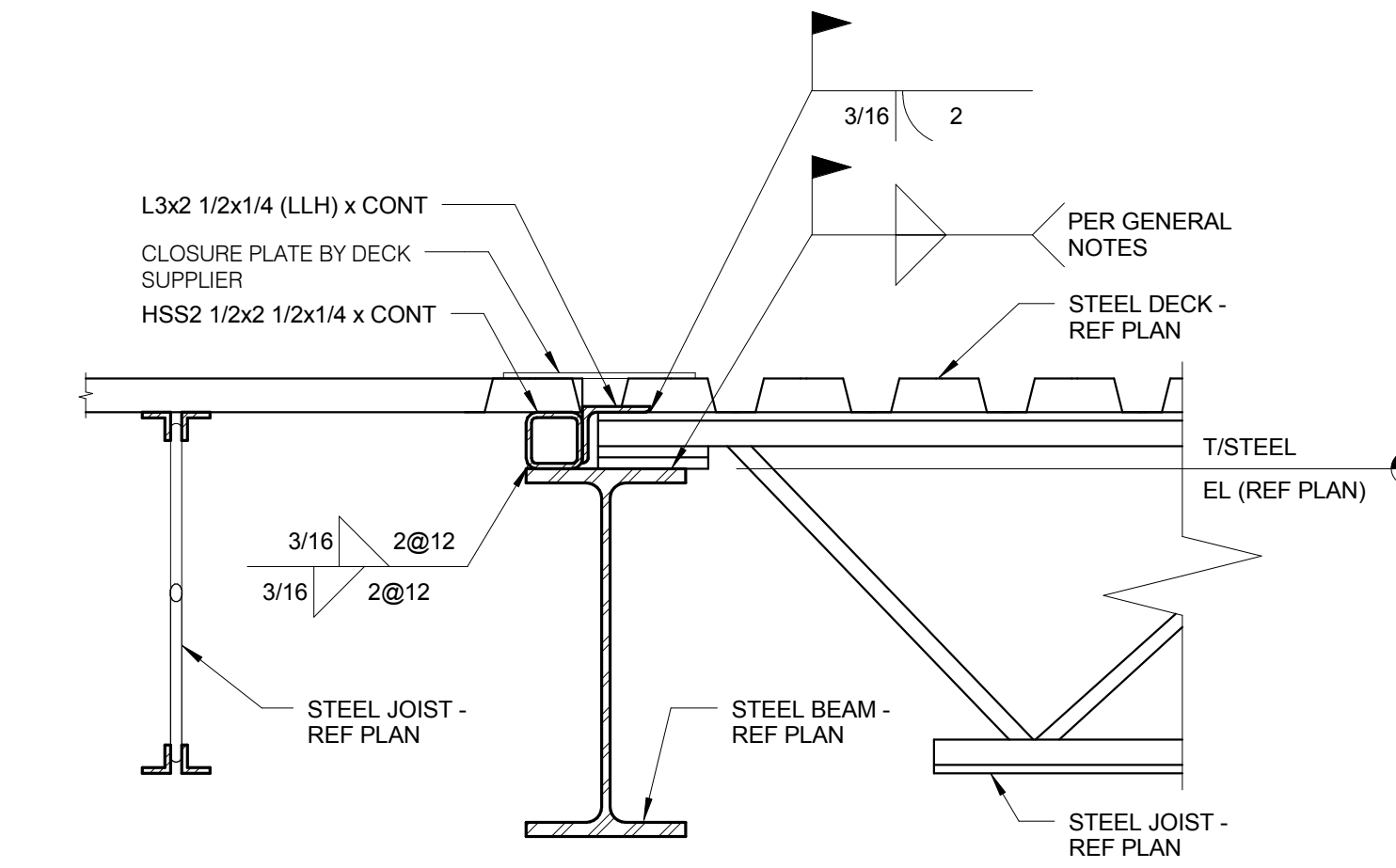
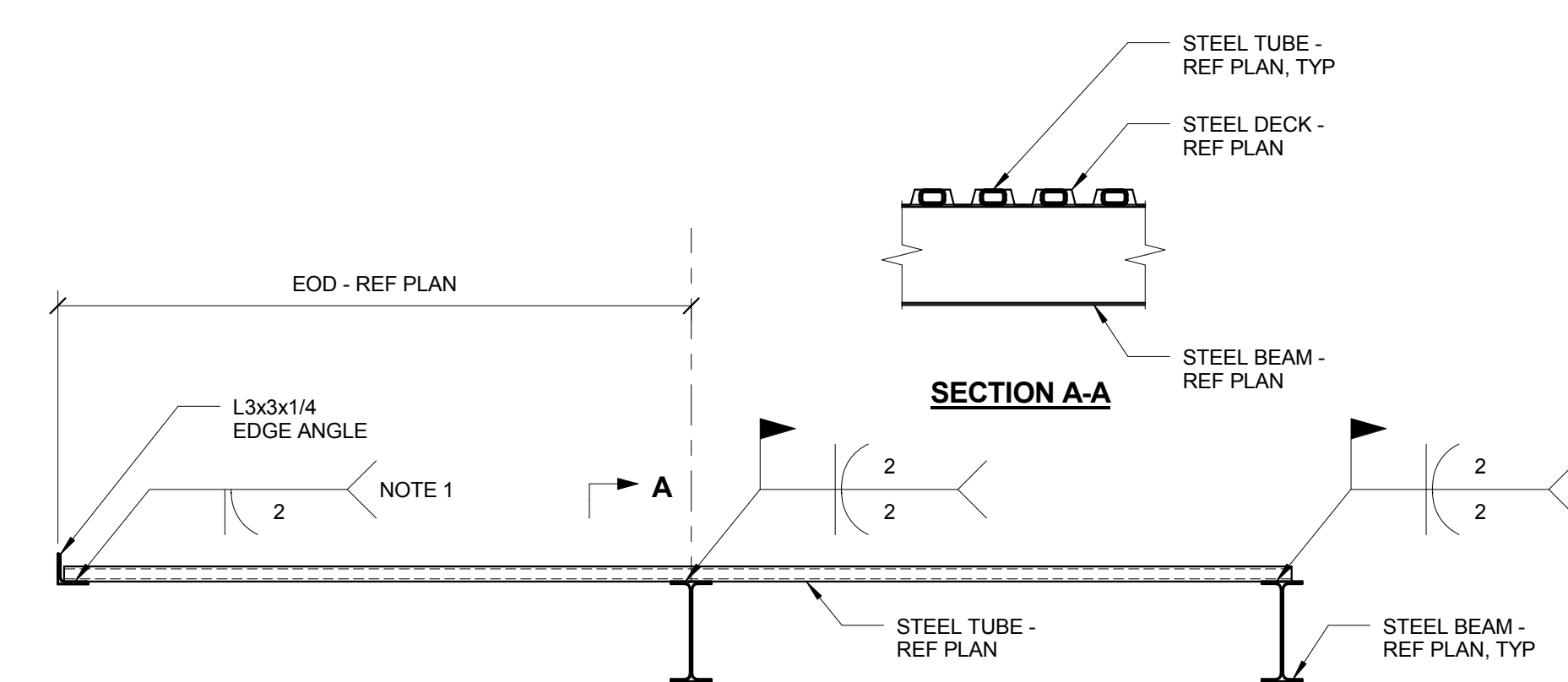
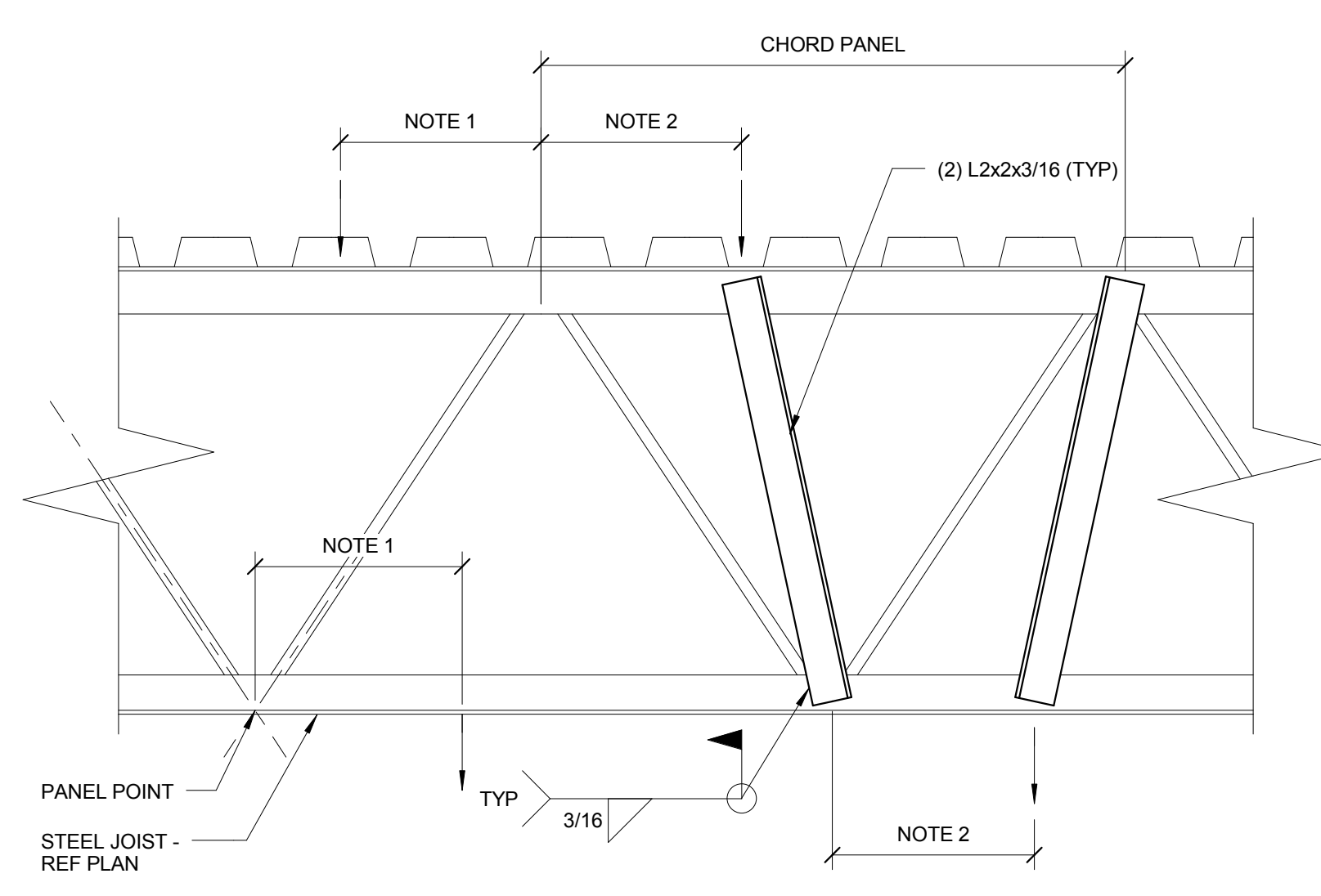
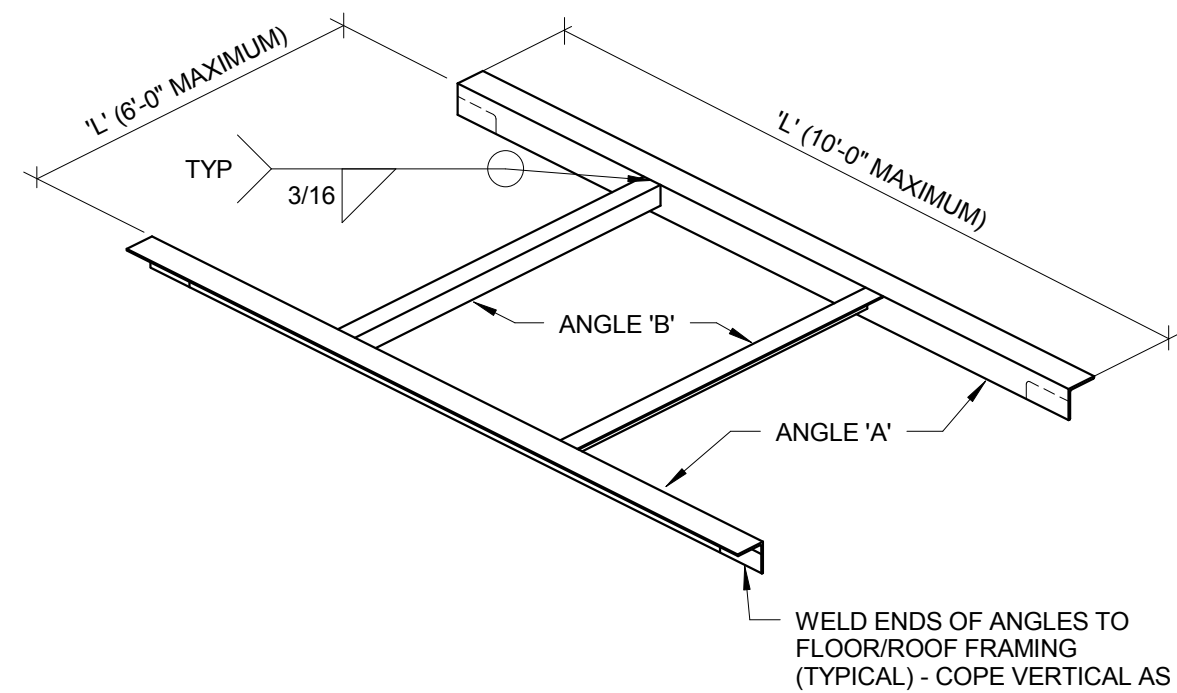


10 SUSPENDED LINTEL DETAIL
 3/4" = 1'-0"

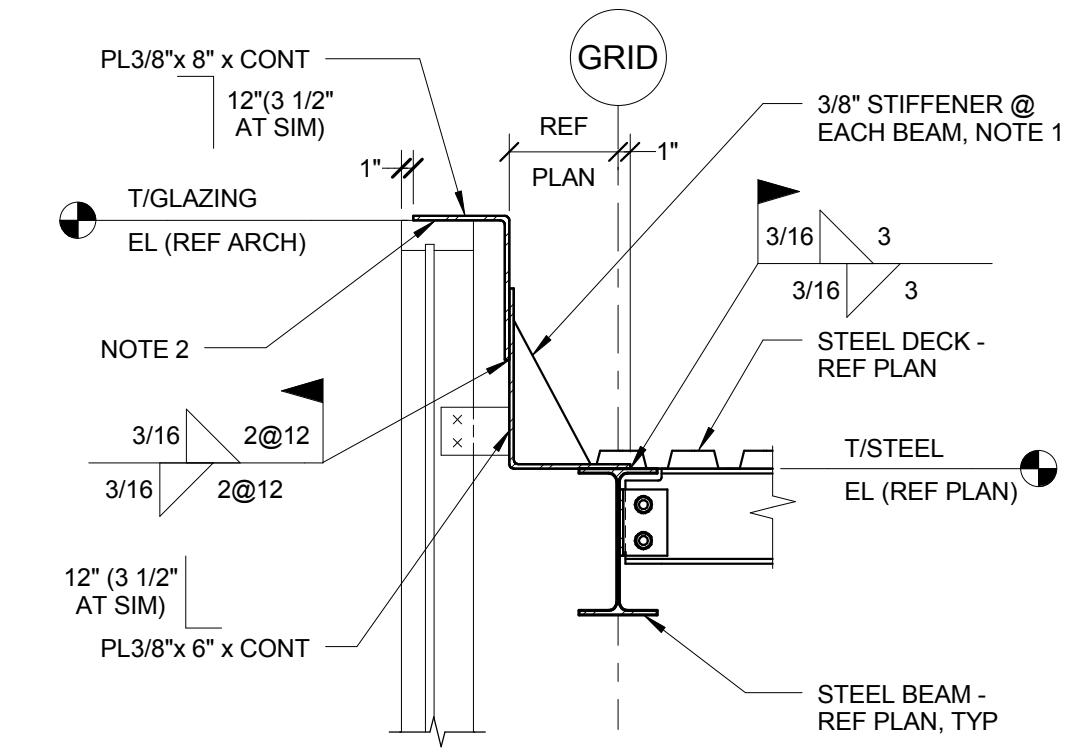
- NOTES:
 1. REFER TO 6/S3-00 FOR INFO NOT SHOWN.



'L'	ANGLE 'A'	ANGLE 'B'
UP TO 1'-0"	NONE - SLUMP PAN ONLY	NONE - SLUMP PAN ONLY
1'-1" TO 4'-6"	L4x4x1/4	L4x4x1/4
4'-7" TO 6'-0"	L4x4x5/16	L4x4x1/4
6'-1" TO 8'-0"	L4x4x3/8	-
8'-1" TO 10'-0"	L6x4x3/8 (LLV)	-

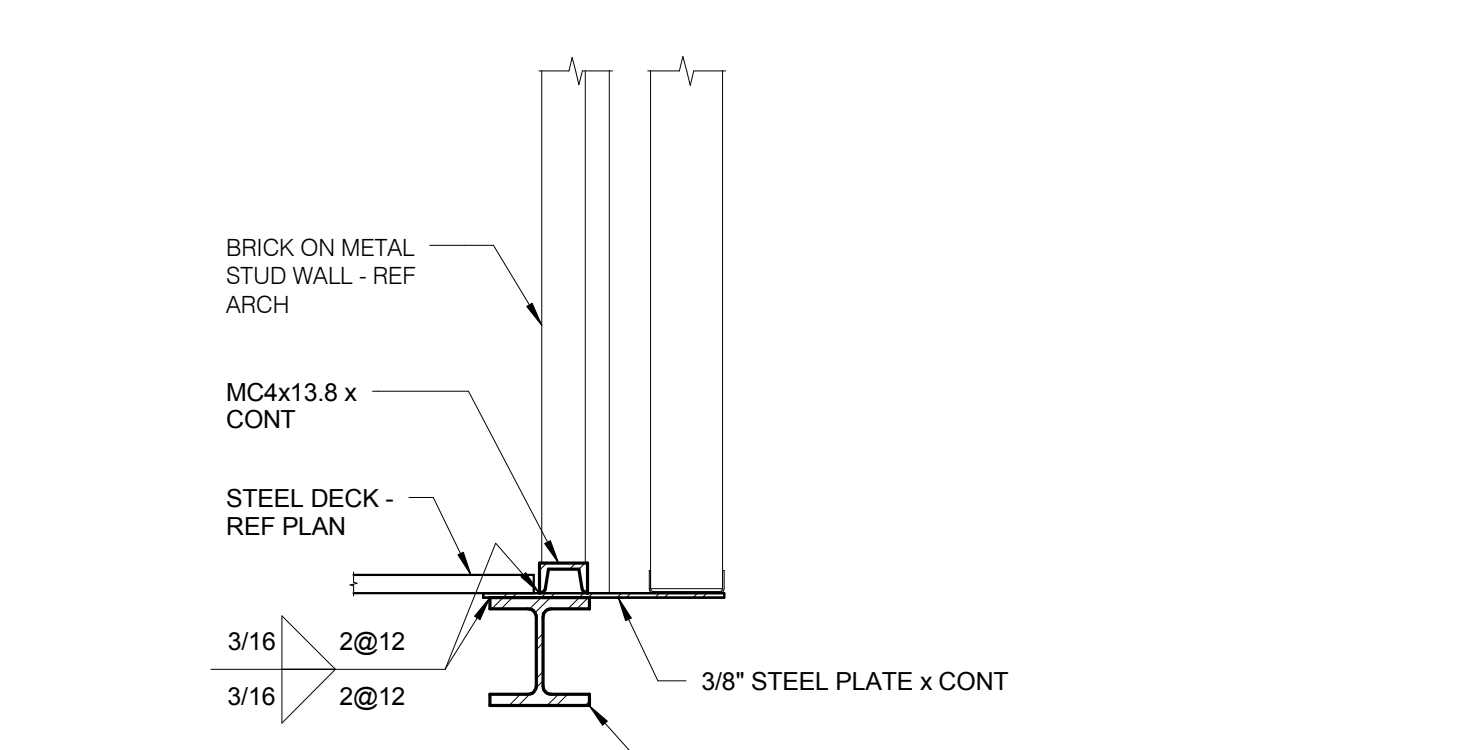


NO.	DESCRIPTION:	DATE:

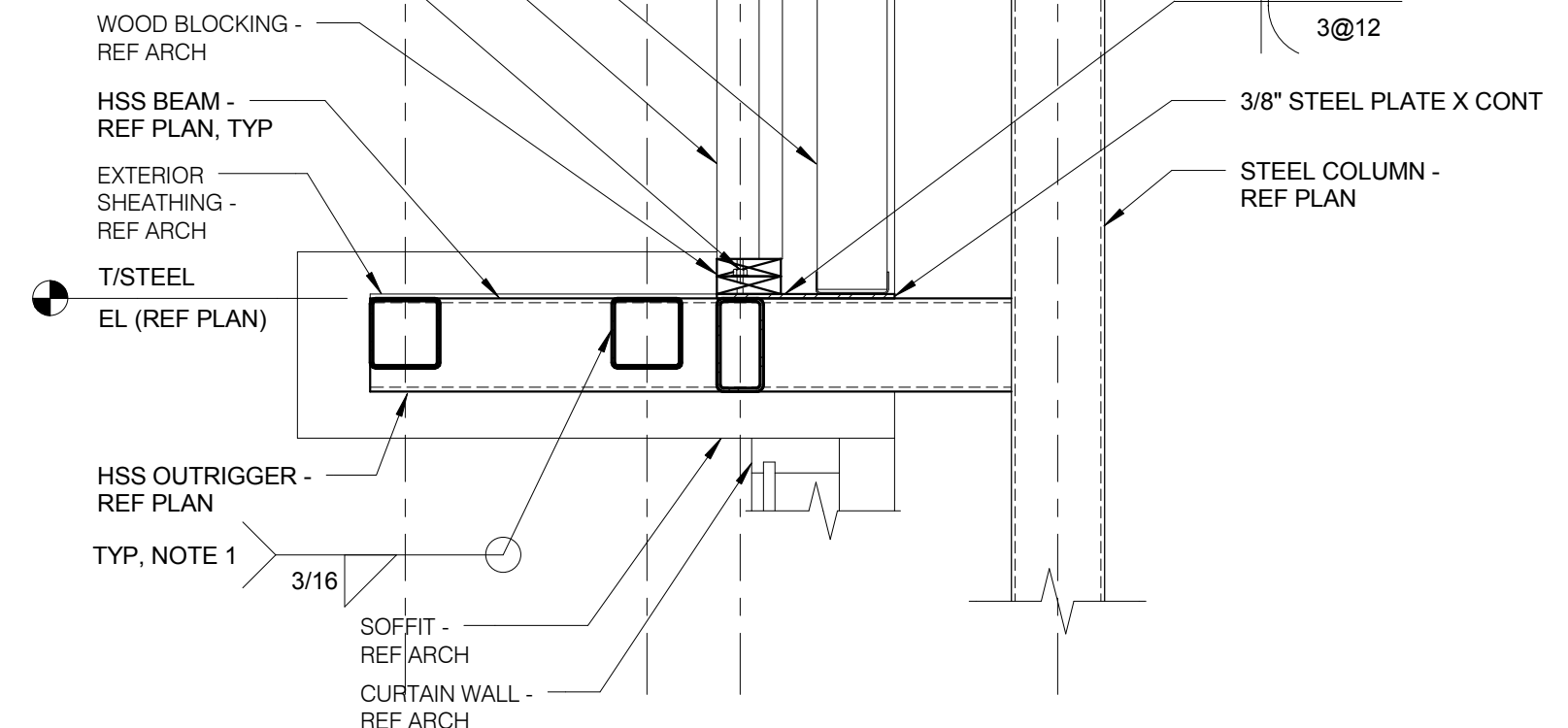


1 SECTION AT GLAZING
 3/4" = 1'-0"

- NOTES:
- WHERE BEAMS RUN PARALLEL TO BENT PLAT PROVIDE STIFFENERS @ 0'-0" OC.
 - GLAZING MANUFACTURER TO ALLOW FOR L360 LL DEFLECTION OF STEEL BEAM.

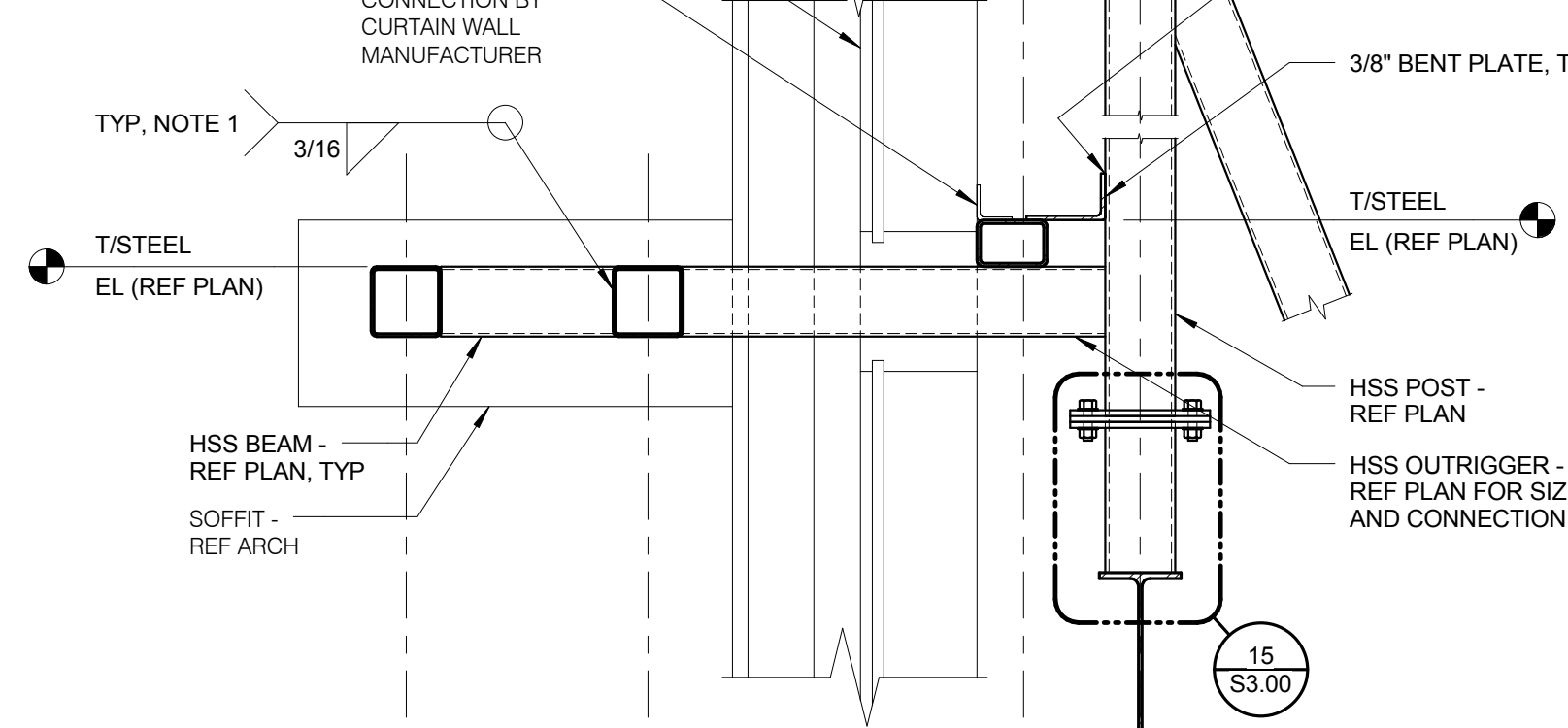


2 BRICK SUPPORT AT LOW ROOF
 3/4" = 1'-0"



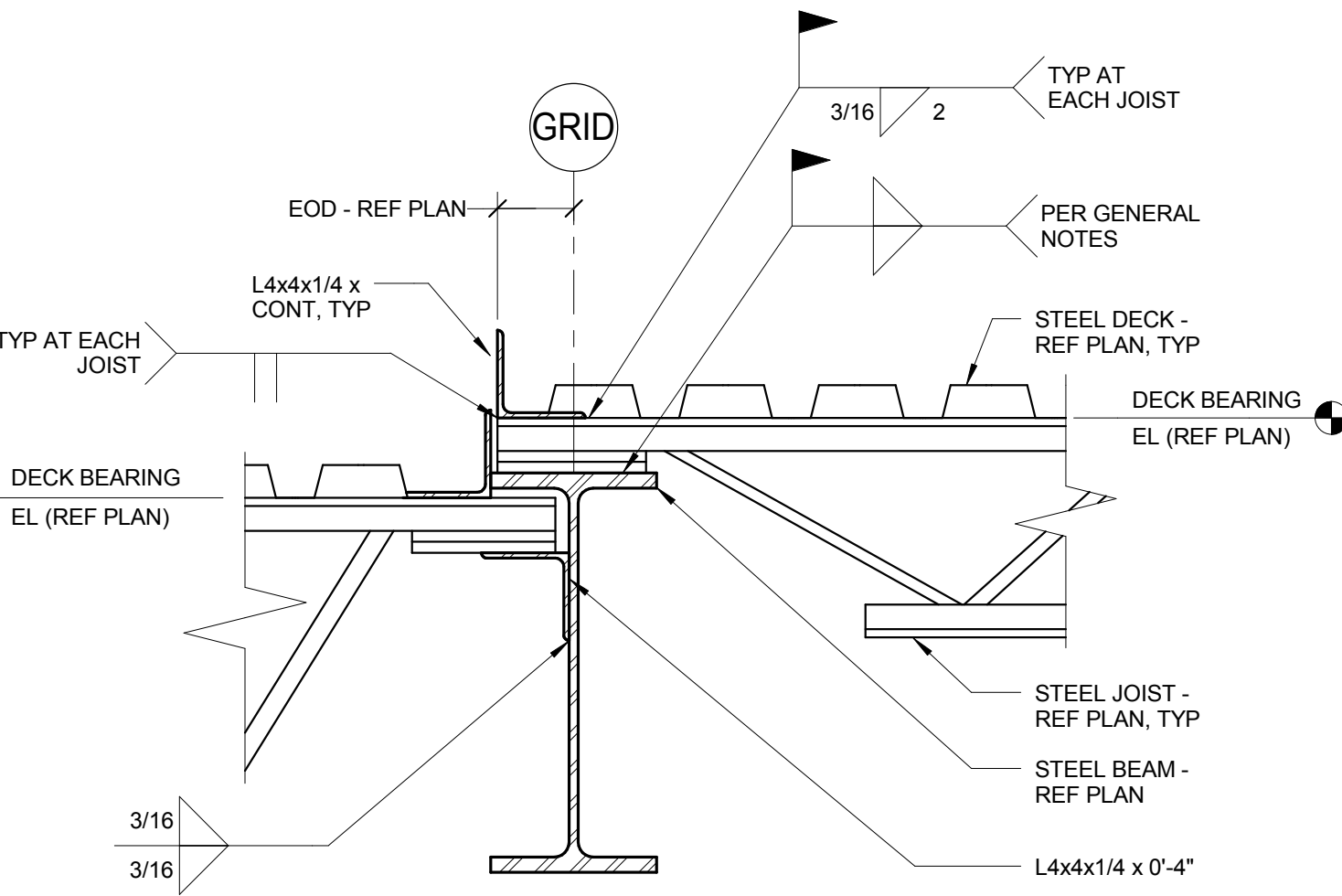
3 STONE SUPPORT AT CANOPY
 3/4" = 1'-0"

- NOTES:
- REFER TO PLAN FOR LOCATIONS OF HSS TUBE MOMENT CONNECTIONS AND CORRESPONDING WELD REQUIREMENTS.

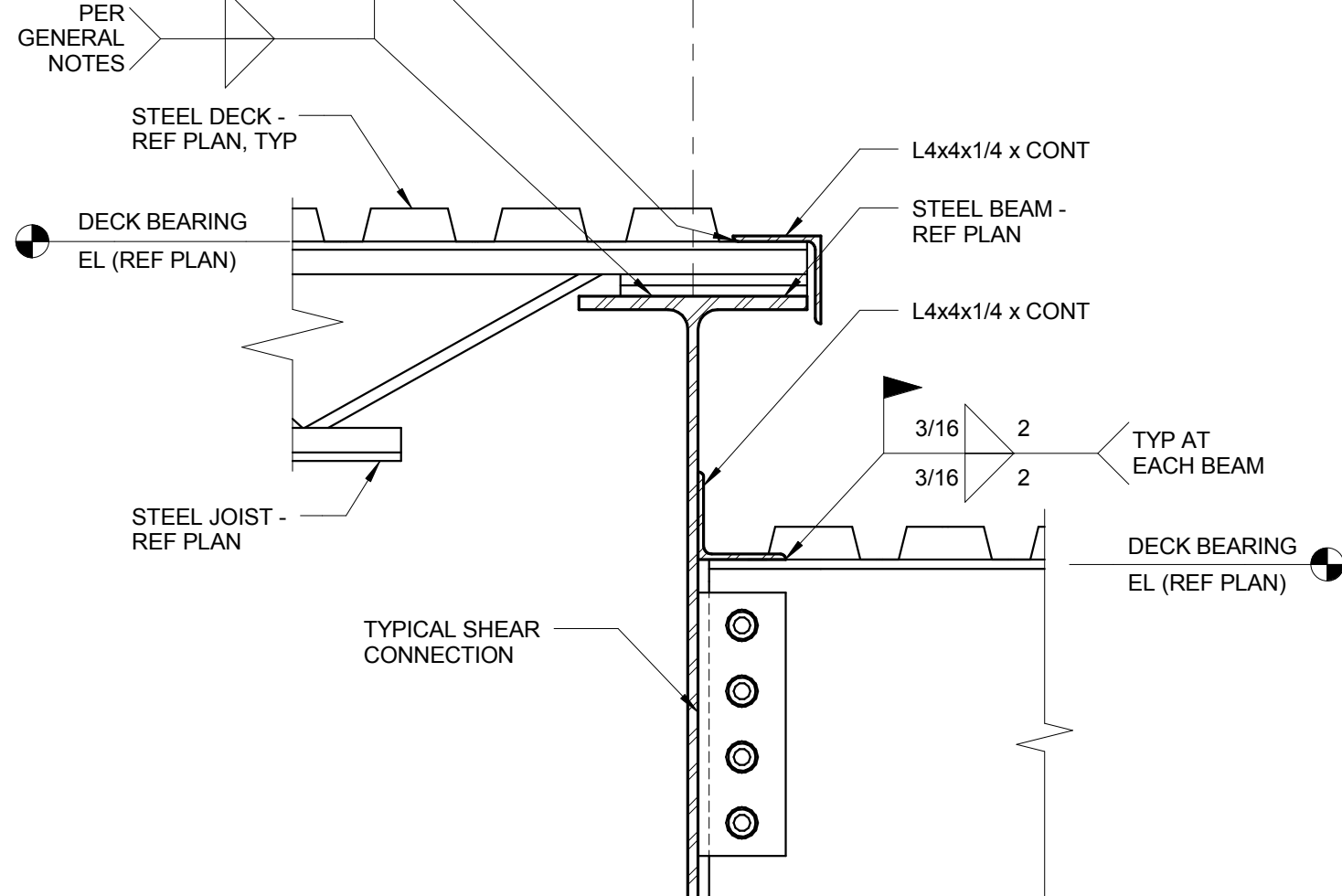


4 CANOPY DETAIL
 3/4" = 1'-0"

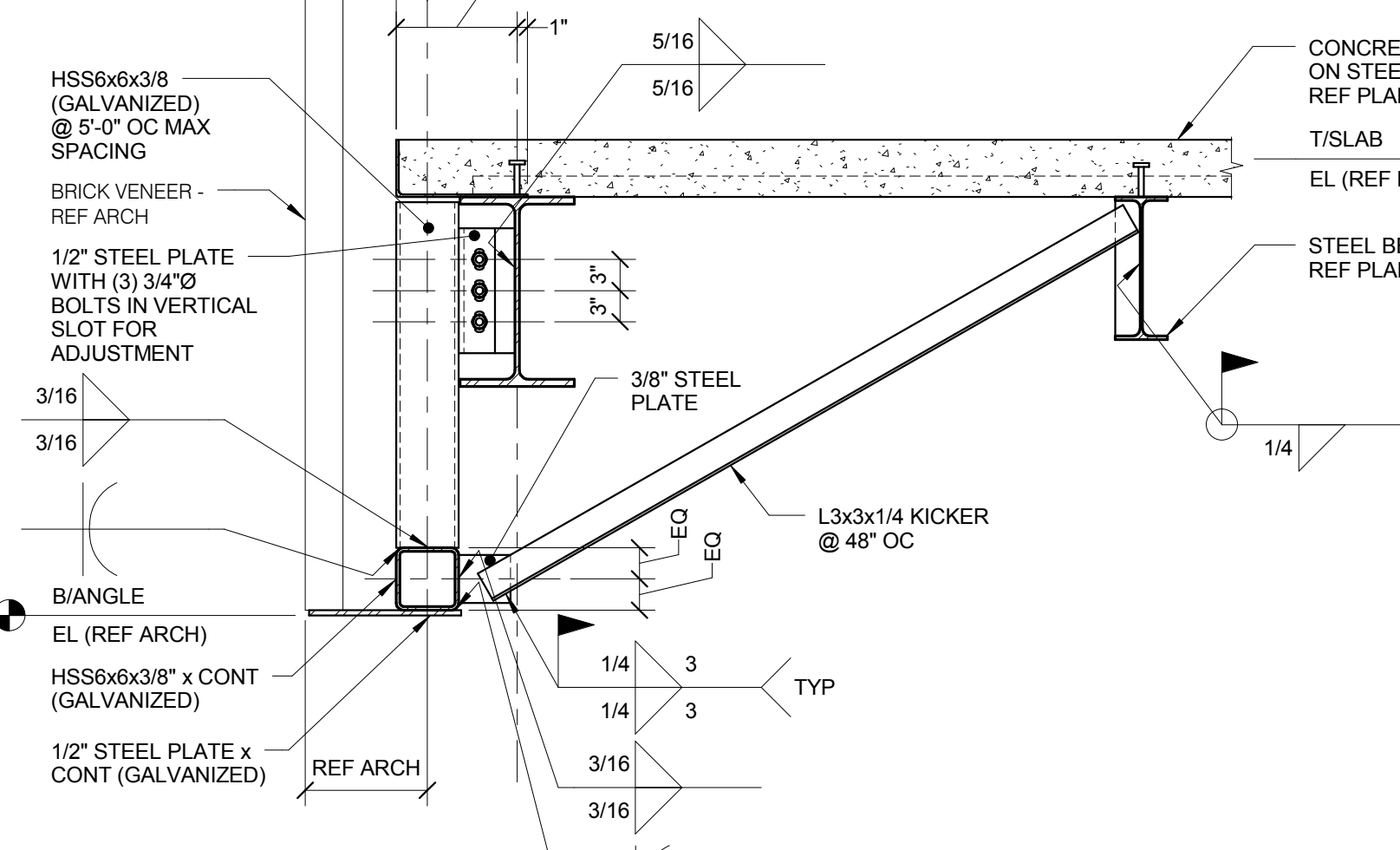
- NOTES:
- REFER TO PLAN FOR LOCATIONS OF HSS TUBE MOMENT CONNECTIONS AND CORRESPONDING WELD REQUIREMENTS.



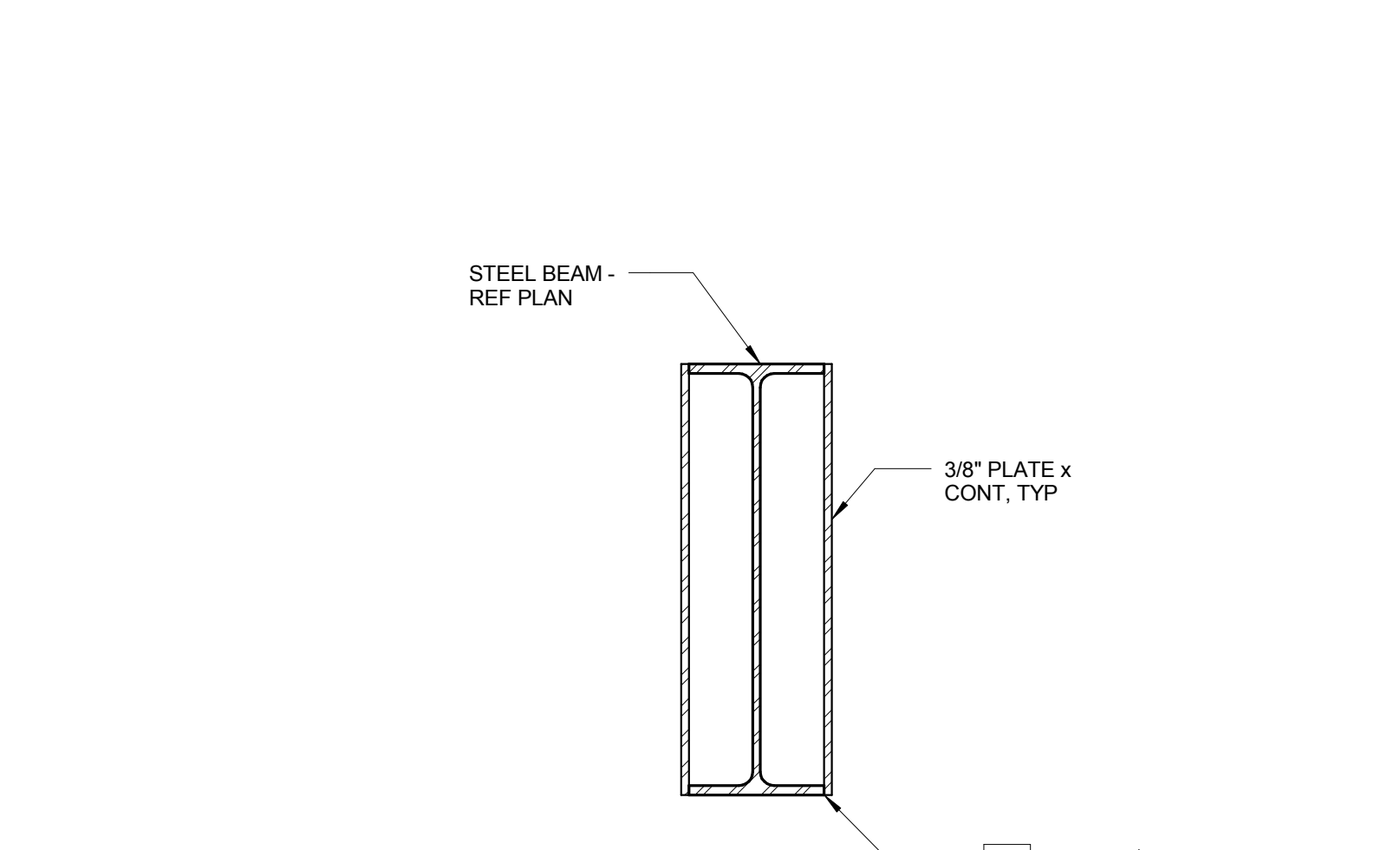
5 GIRDER AT ROOF AND HIGH ROOF
 1 1/2" = 1'-0"



6 GIRDER AT ROOF AND HIGH ROOF
 1 1/2" = 1'-0"

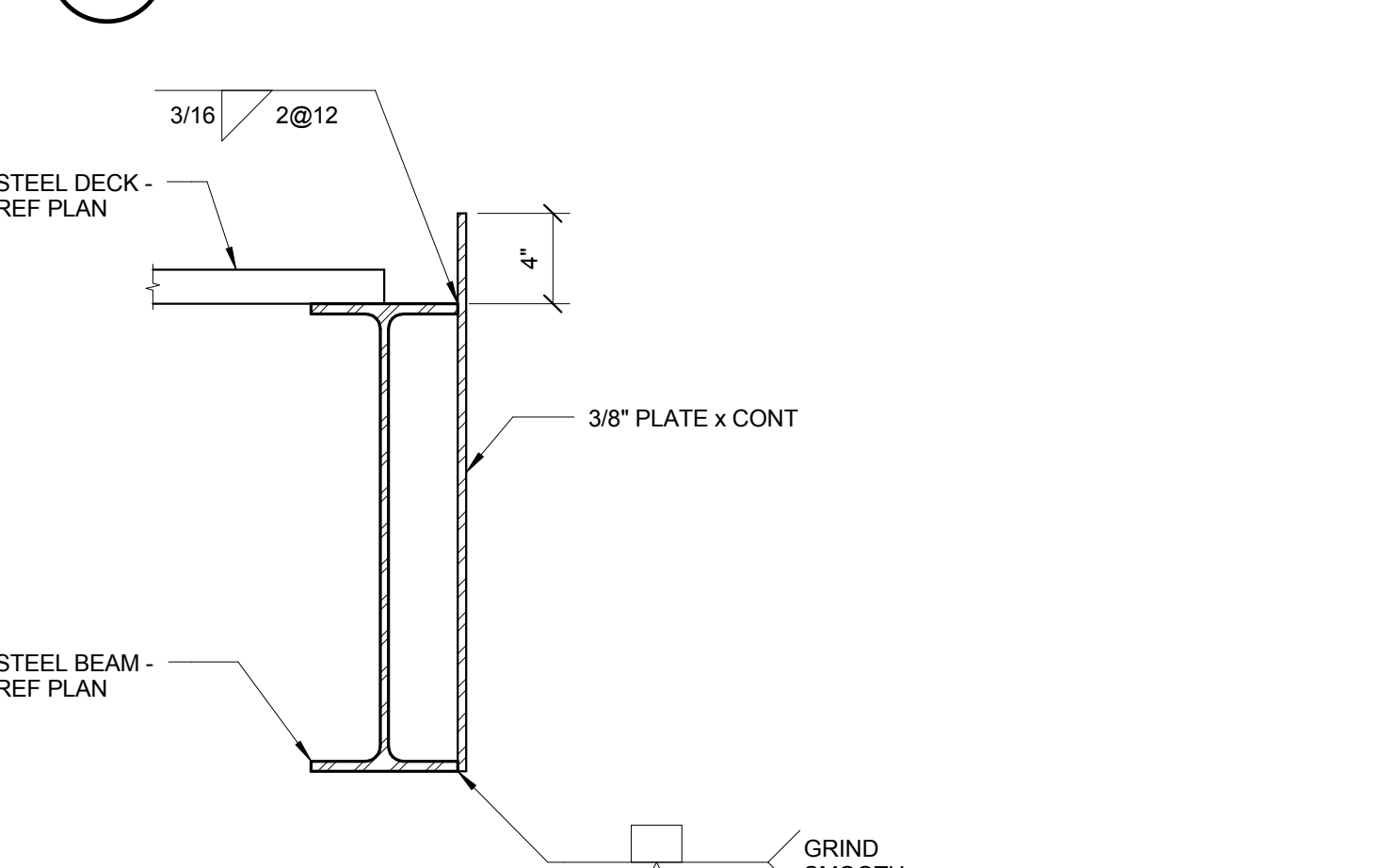


7 CLADDING SUPPORT DETAIL
 3/4" = 1'-0"



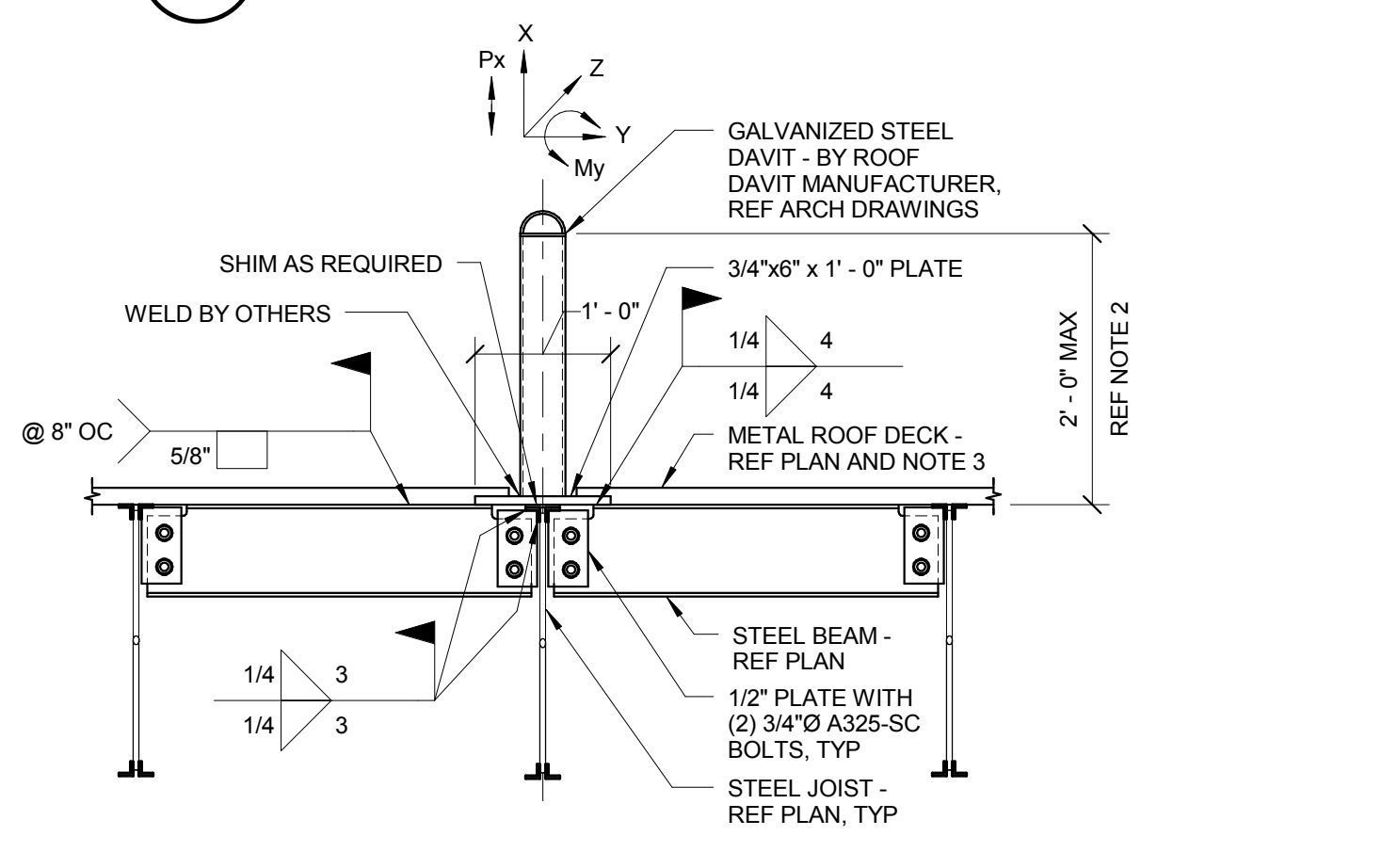
8 STEEL DETAIL
 1 1/2" = 1'-0"

- NOTES:
- AT COLUMNS, PLATES ARE TO BE SHOP FABRICATED ALONG THE LENGTH OF THE COLUMN FROM 2" BELOW FINISHED FLOOR ELEVATION TO 2" ABOVE CEILING. COORDINATE ELEVATIONS WITH ARCHITECTURAL DRAWINGS.



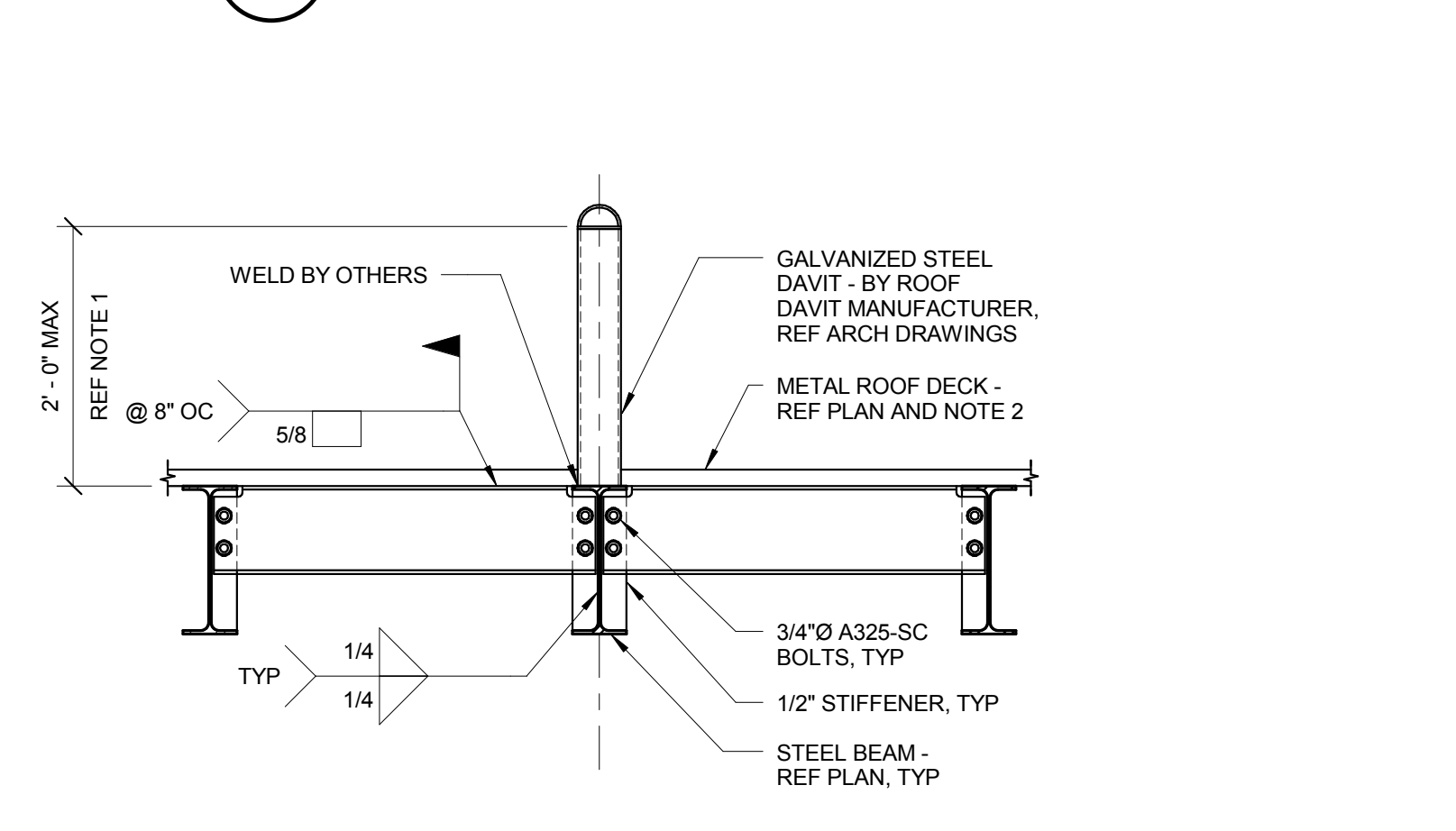
9 STEEL DETAIL
 1 1/2" = 1'-0"

- NOTES:
- PLATE IS TO BE SHOP FABRICATED ALONG THE LENGTH OF THE LEAVING 1'-0" AT EACH END OF THE BEAM FOR THE CONNECTION. AFTER THE BEAM IS IN PLACE, PLATES ARE TO BE FIELD WELDED AND THE WELDS GRIND SMOOTH.
 - AT SIM, PLATE DOES NOT EXTEND UP 4" ABOVE TOP FLANGE AND THERE IS NO DECK.



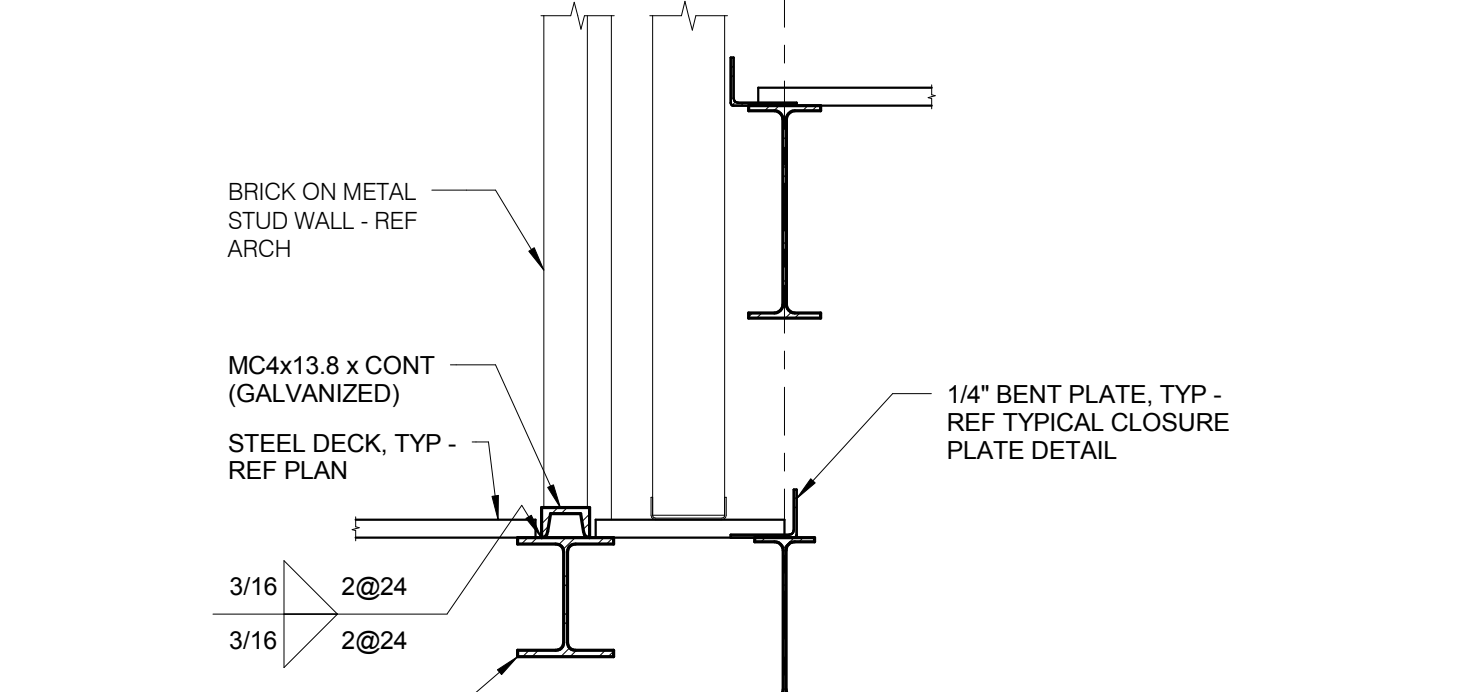
10 ROOF DAVIT DETAIL AT JOISTS
 3/4" = 1'-0"

- NOTES:
- DESIGN JOISTS FOR THE ADDITIONAL LIVE LOADS AT THE ROOF ANCHOR LOCATIONS. P = 5000 LBS. M = 10,000 LBS.-FT. MOMENT IS ALONG STRONG AXIS OF JOIST.
 - IF HEIGHT OF THE BACK EXCEEDS DIMENSION SHOWN, CONTACT STRUCTURAL ENGINEER AND JOIST MANUFACTURER.
 - DECK MANUFACTURER TO LAY OUT ROOF DECK SO BOTTOM OF FLUTE ALIGNS WITH W8 STEEL BEAM TO INSURE PUDDLE WELD CONNECTION BETWEEN BEAM AND DECK.

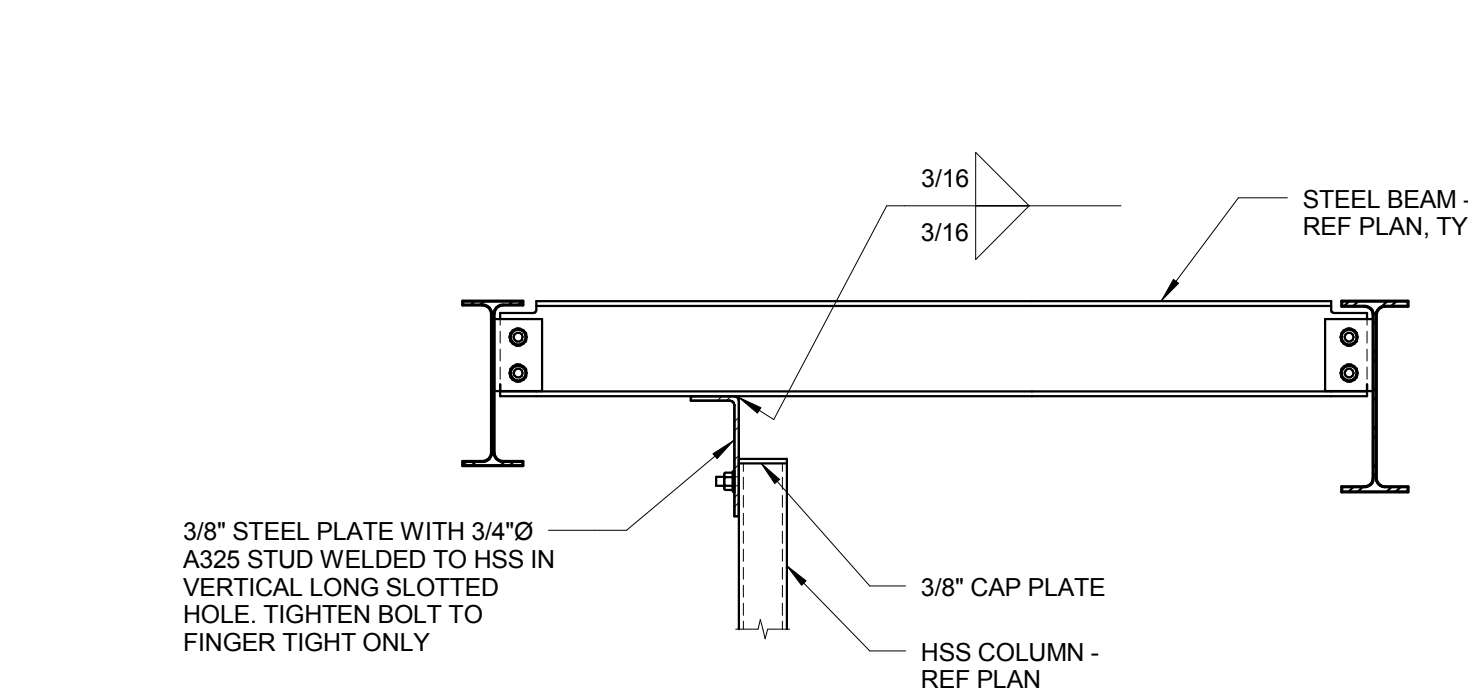


11 ROOF DAVIT DETAIL AT BEAM
 3/4" = 1'-0"

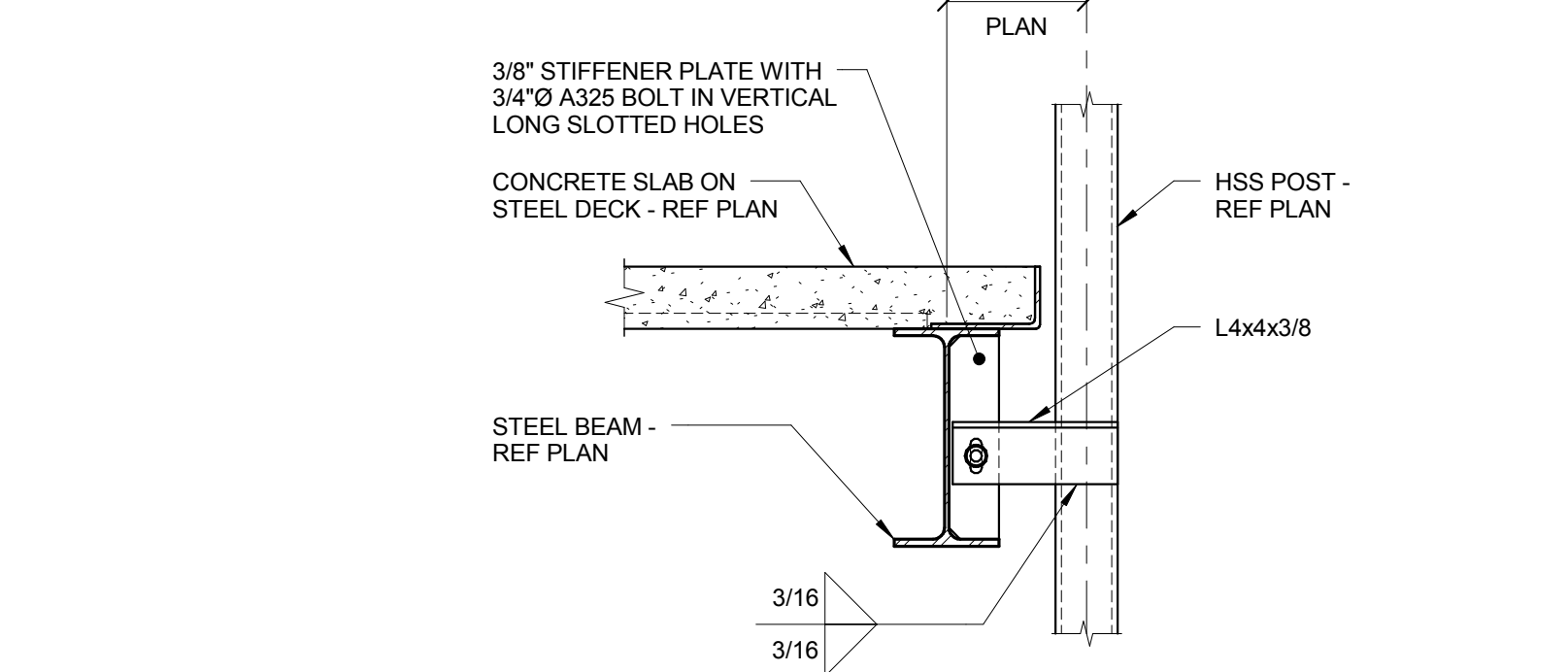
- NOTES:
- IF HEIGHT OF THE BACK EXCEEDS DIMENSION SHOWN, CONTACT STRUCTURAL ENGINEER AND JOIST MANUFACTURER.
 - DECK MANUFACTURER TO LAY OUT ROOF DECK SO BOTTOM OF FLUTE ALIGNS WITH W8 STEEL BEAM TO INSURE PUDDLE WELD CONNECTION BETWEEN BEAM AND DECK.



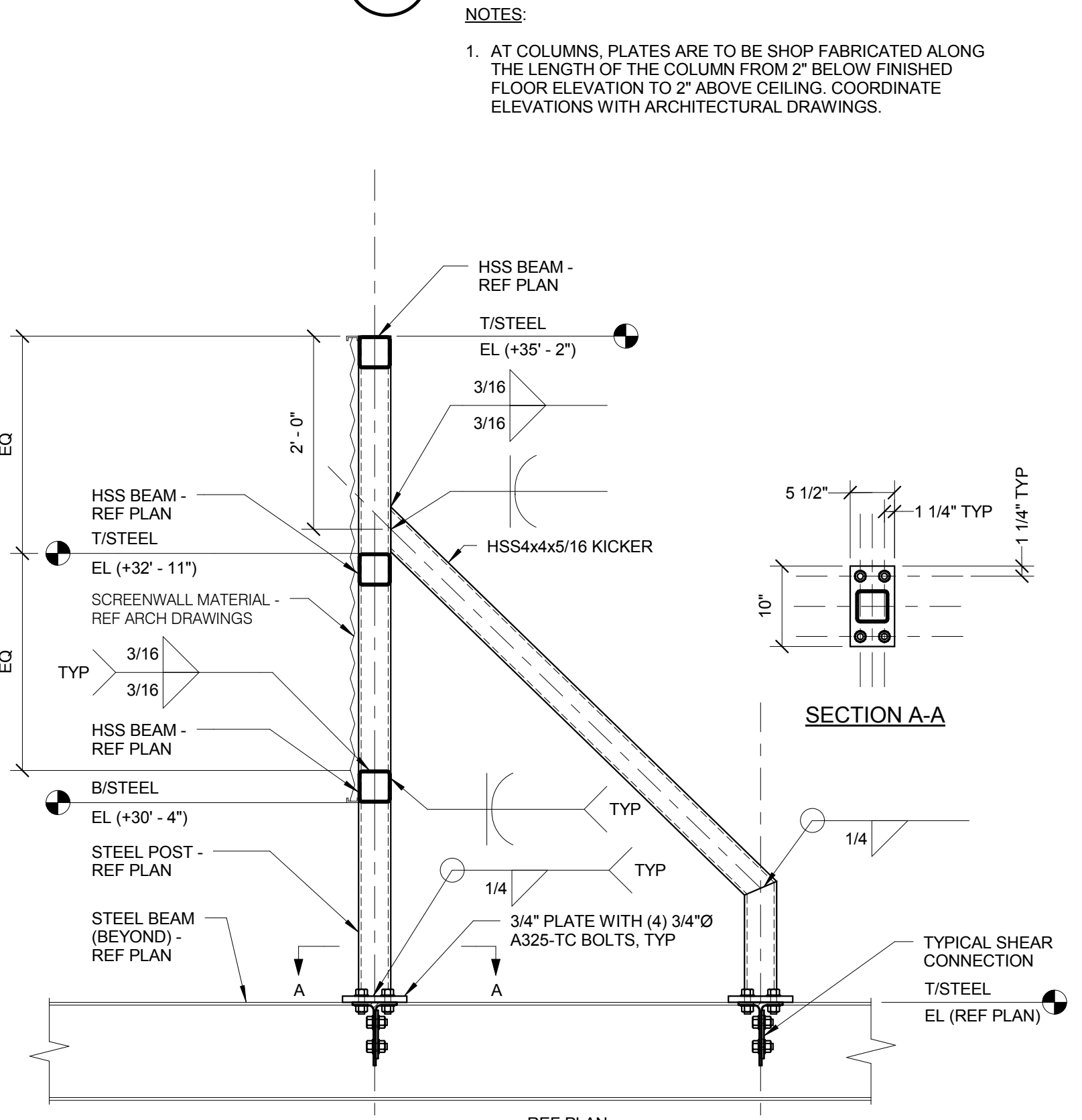
13 BRICK SUPPORT AT ROOF
 3/4" = 1'-0"



14 ELEVATOR RAIL SUPPORT DETAIL
 3/4" = 1'-0"



15 ELEVATOR RAIL SUPPORT DETAIL
 1" = 1'-0"



12 SCREEN WALL DETAIL
 3/4" = 1'-0"

- NOTES:
- ALL SCREEN WALL STEEL TO BE GALVANIZED.

KJWW ENGINEERING CONSULTANTS
 1100 WARRENVILLE ROAD, SUITE 400W
 NAPERVILLE, IL 60563
 630.527.2320 FAX: 630.527.2321
 WWW.KJWW.COM
 PROJECT # 14.043.00
 DESIGN FIRM REGISTRATION #14-00573

KJWW ENGINEERING RESERVES PROPRIETARY RIGHTS, INCLUDING COPYRIGHTS, TO THIS DRAWING AND THE DATA SHOWN THEREON. SUCH DRAWING AND/OR DATA ARE THE EXCLUSIVE PROPERTY OF KJWW ENGINEERING AND SHALL NOT BE USED OR REPRODUCED FOR ANY OTHER PROJECT WITHOUT THE EXPRESS WRITTEN APPROVAL AND PARTICIPATION OF KJWW ENGINEERING. © 2015 KJWW, P.C.

REFERENCE SCALE IN INCHES
 0 1 2 3



ARCHITECT OF RECORD
DEMIONA KEMPER ARCHITECTS
 125 N. HALSTED STREET, SUITE 301
 CHICAGO, IL 60661
 P: 312.496.0000

STRUCTURAL AND MEP/FP ENGINEERING
KJWW ENGINEERING CONSULTANTS
 1100 WARRENVILLE RD, SUITE 400W
 NAPERVILLE, IL 60563
 P: 630.527.2320

JOLIET JUNIOR COLLEGE
ROMEIOVILLE CAMPUS EXPANSION
 1125 135TH ST. ROMEIOVILLE, JOLIET, IL 60446
 DKA PROJECT NO: 14-005

KEY PLAN:

SHEET STATUS: 9/21/15

ISSUED FOR CONSTRUCTION

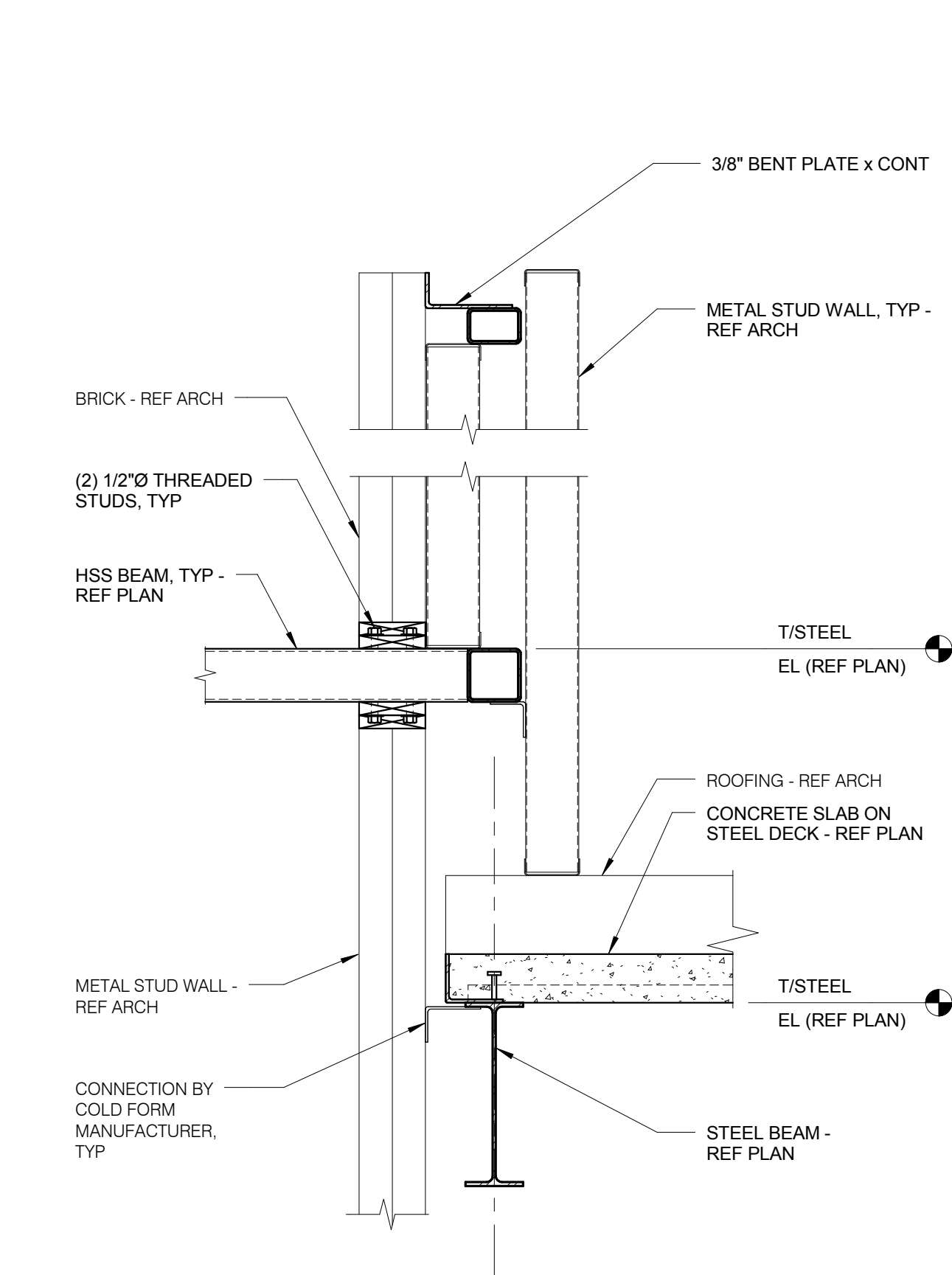
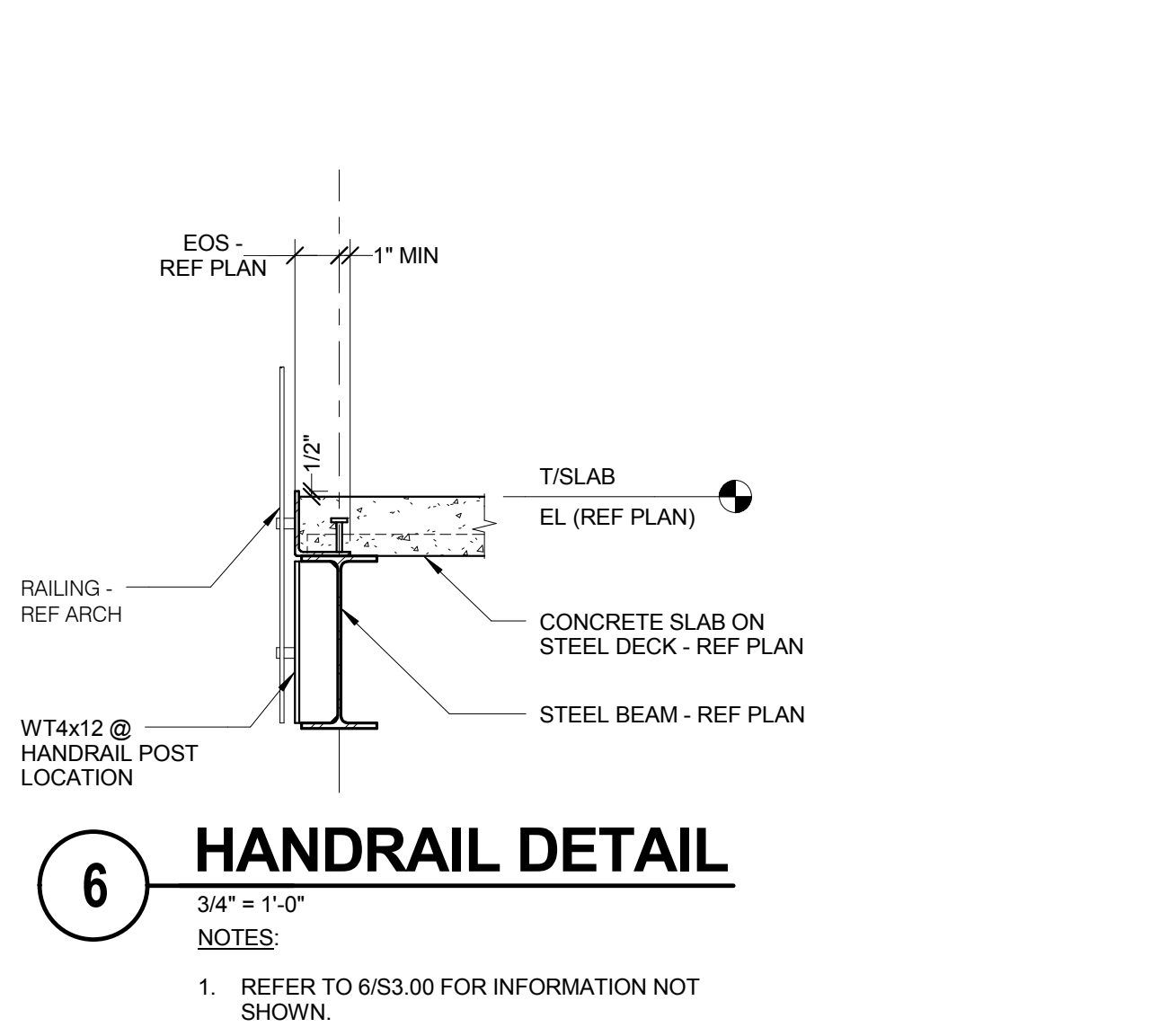
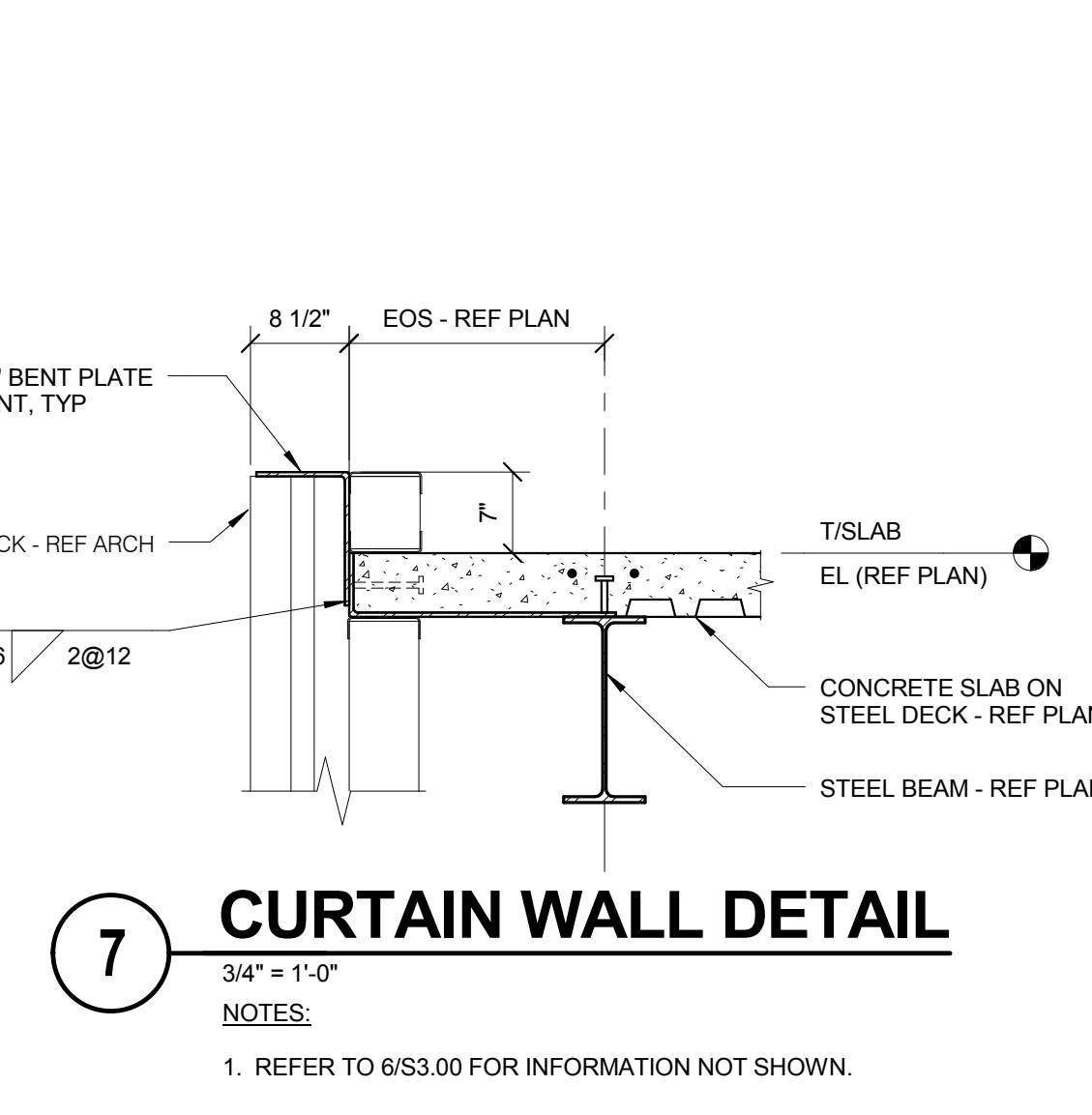
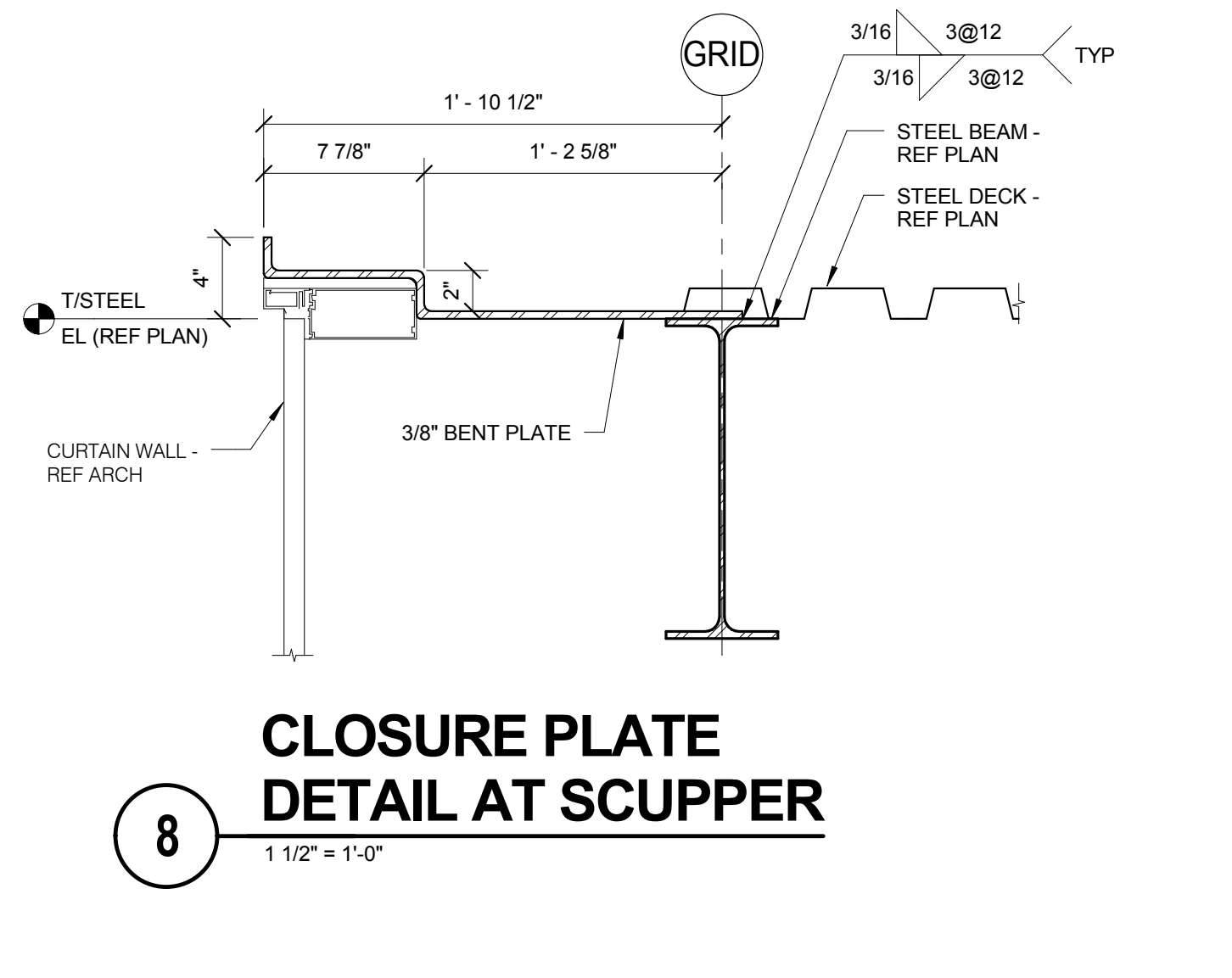
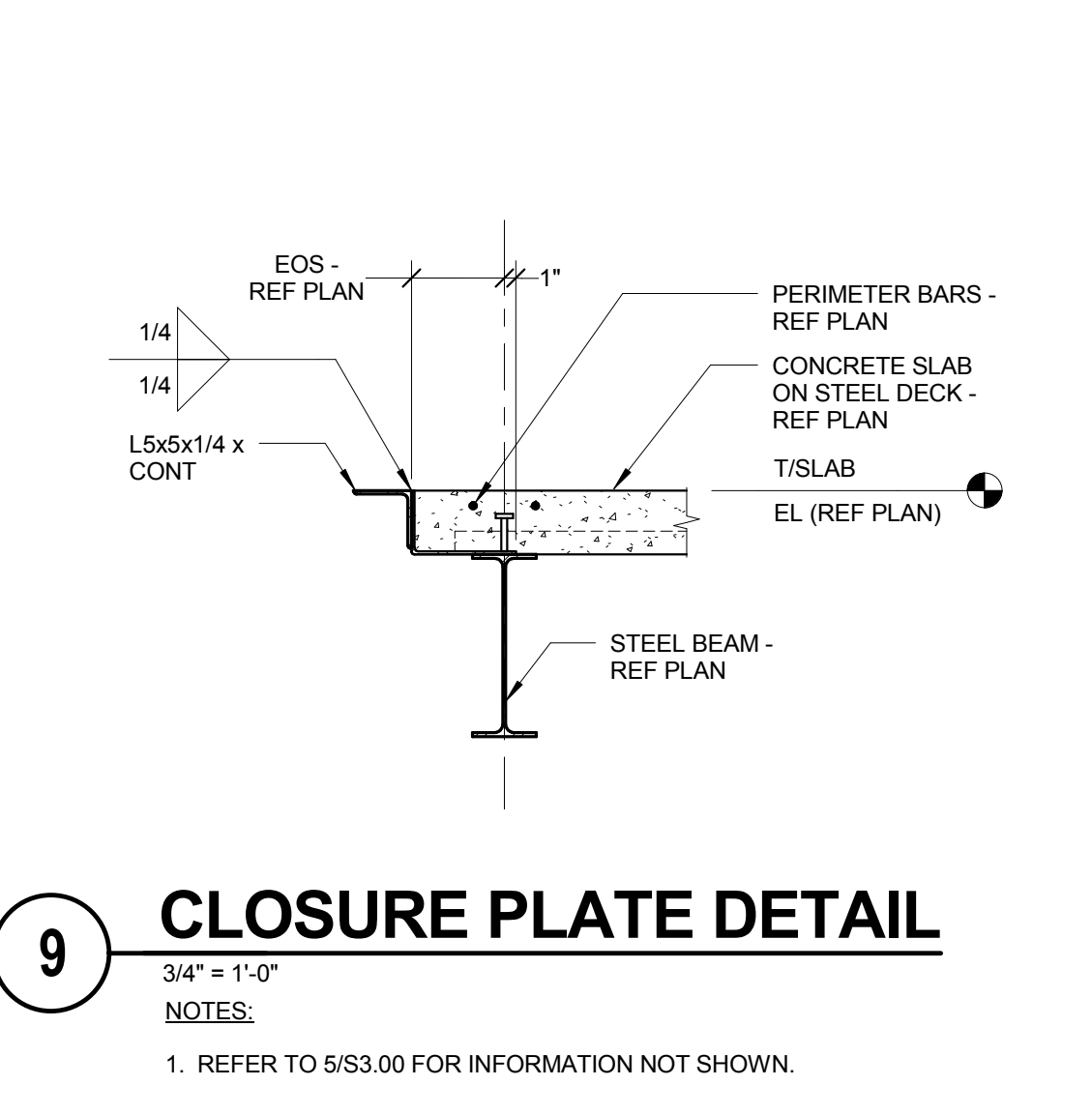
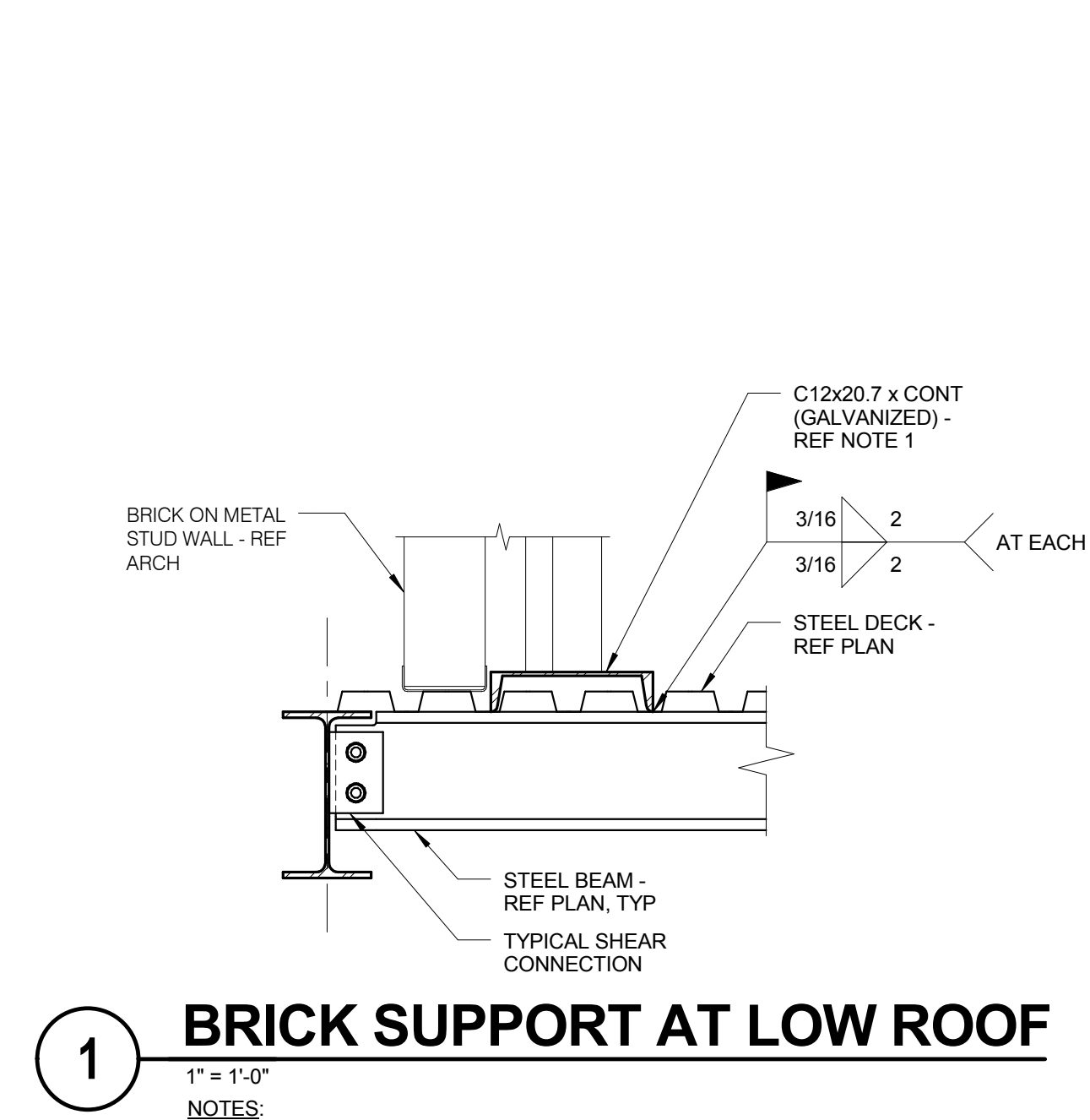
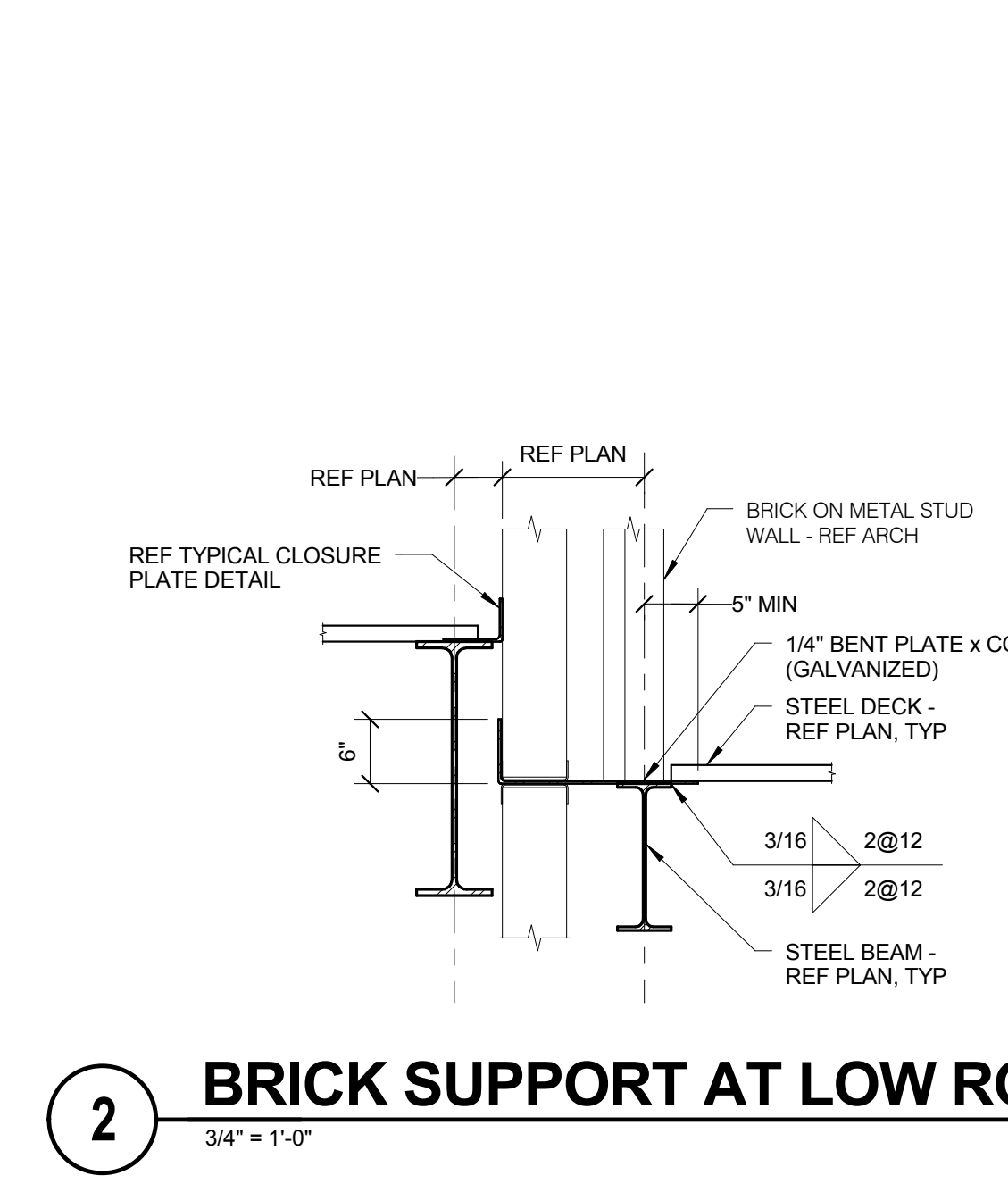
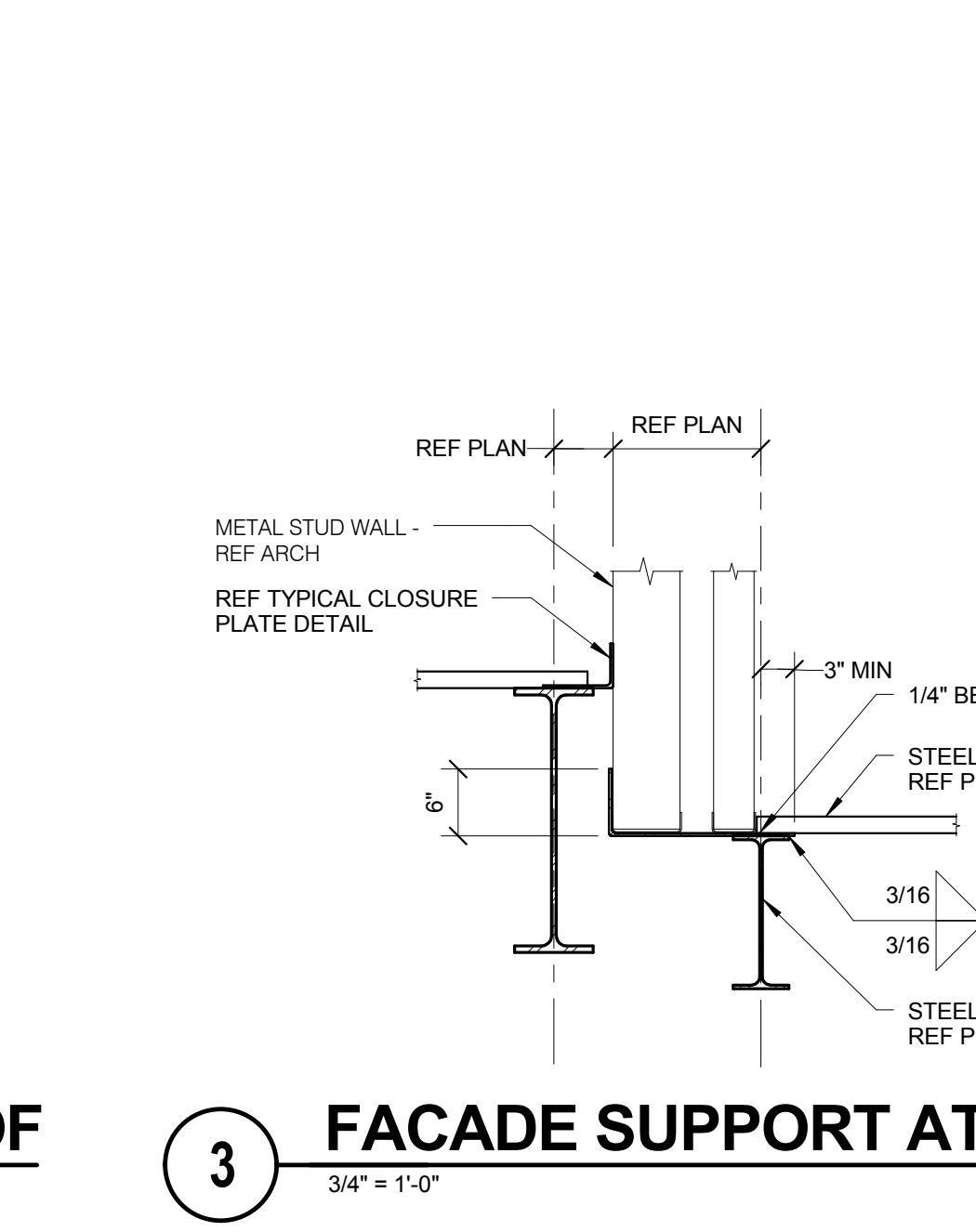
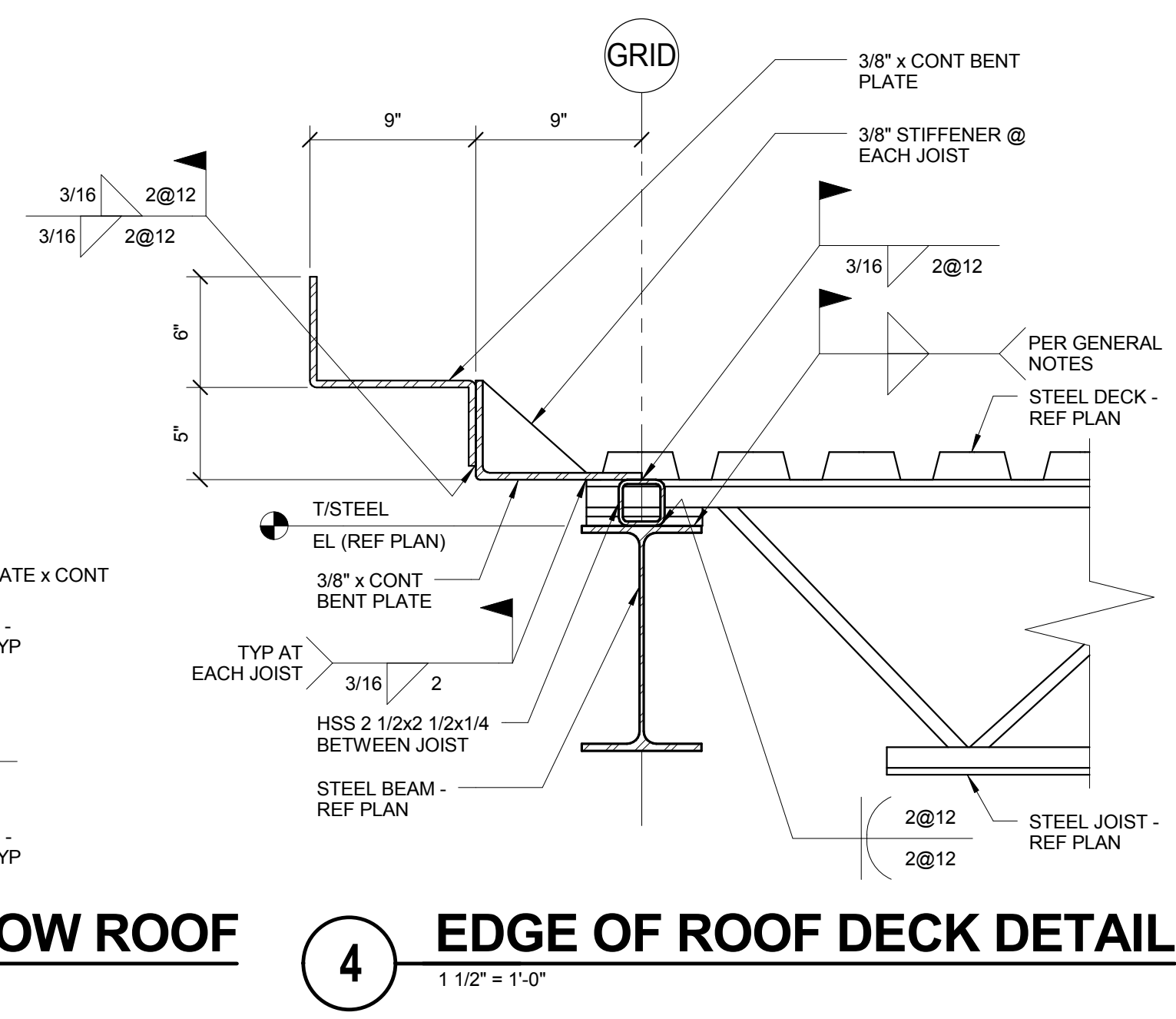
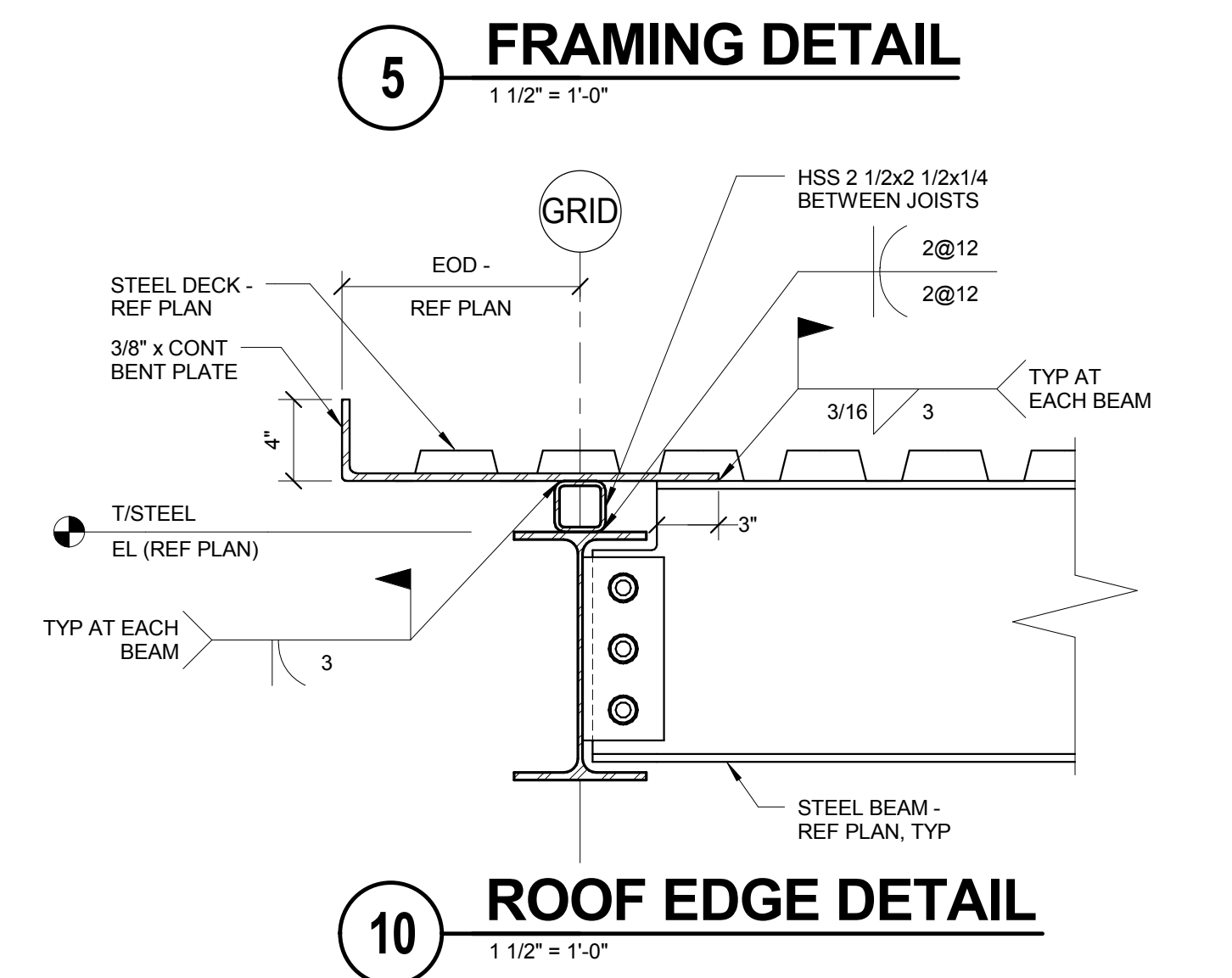
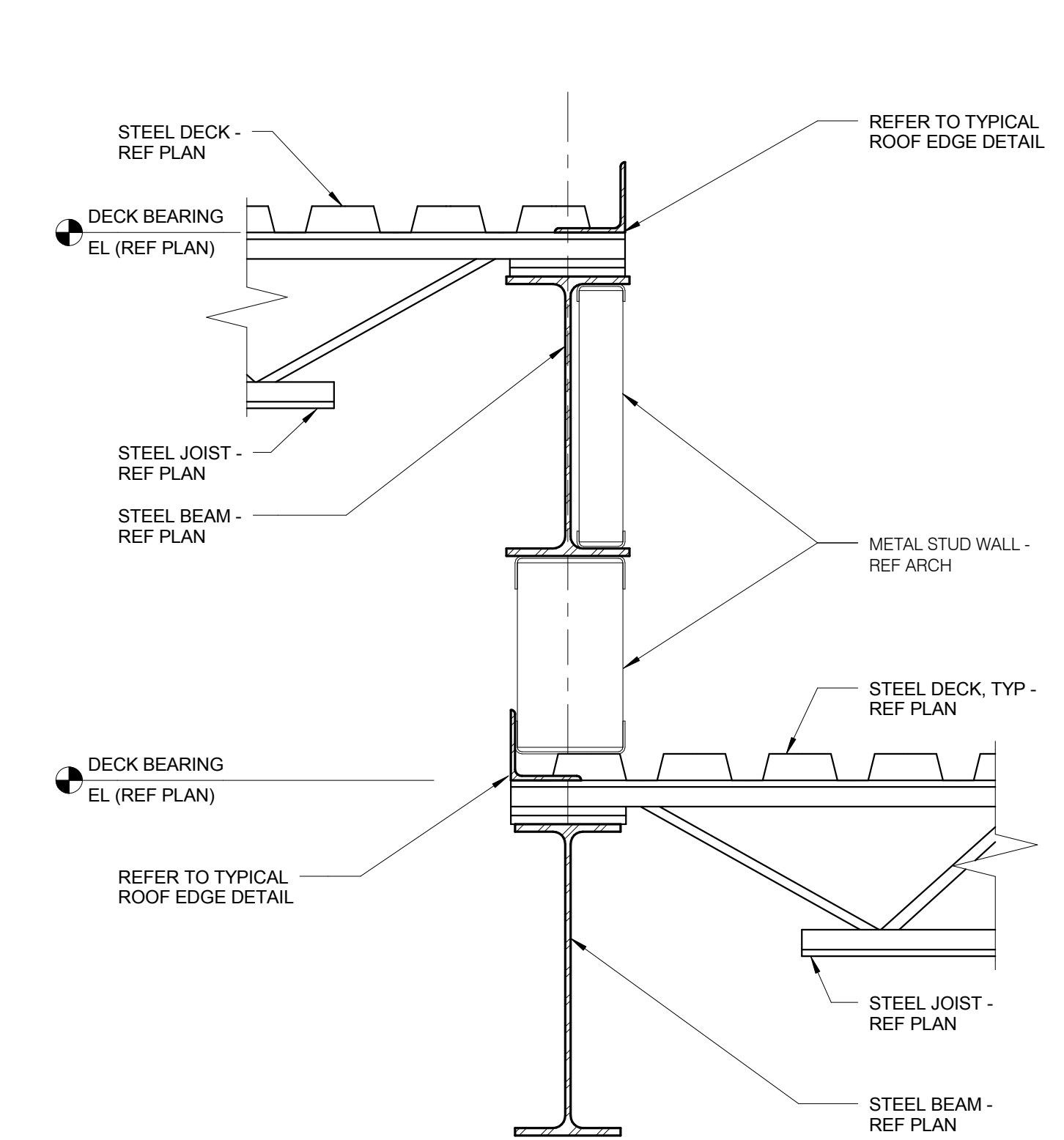
NO.	DESCRIPTION:	DATE:

SHEET TITLE:

STEEL DETAILS

SHEET NUMBER:

S3.03



KJWW ENGINEERING CONSULTANTS
 1100 WARRENVILLE ROAD, SUITE 400W
 NAPERVILLE, ILLINOIS 60563
 630.527.2320 FAX: 630.627.2321
 WWW.KJWW.COM
 PROJECT # 14-043.00
 BRICK DESIGN FIRM REGISTRATION #184-08973
 KJWW ENGINEERING RESERVES PROPRIETARY RIGHTS, INCLUDING COPYRIGHTS, TO THIS DRAWING AND THE DATA SHOWN THEREON. SAID DRAWING AND/OR DATA ARE THE EXCLUSIVE PROPERTY OF KJWW ENGINEERING AND SHALL NOT BE USED OR REPRODUCED FOR ANY OTHER PROJECT WITHOUT THE EXPRESS WRITTEN APPROVAL AND PARTICIPATION OF KJWW ENGINEERING. © 2015 KJWW, P.C.

REFERENCE SCALE IN INCHES
 0 1 2 3



ARCHITECT OF RECORD
DEMOMICA KEMPER ARCHITECTS
 125 N. HALSTED STREET, SUITE 301
 CHICAGO, IL 60661
 P: 312.496.0000

STRUCTURAL AND MEP/FP ENGINEERING
KJWW ENGINEERING CONSULTANTS
 1100 WARRENVILLE RD., SUITE 400W
 NAPERVILLE, IL 60563
 P: 630.527.2320

FOOD SERVICE CONSULTANT
CINI LITTLE INTERNATIONAL, INC.
 200 E. HOWARD AVE., SUITE 212
 DES PLAINES, IL 60018
 P: 847.298.0088

JOLIET JUNIOR COLLEGE
ROMEORVILLE CAMPUS EXPANSION
 1125 135th ST. ROMEORVILLE, IL 60446
 DKA PROJECT NO: 14-005

KEY PLAN:

SHEET STATUS: 9/21/15
ISSUED FOR CONSTRUCTION

NO.	DESCRIPTION:	DATE:

SHEET TITLE:
MECHANICAL COVER SHEET

SHEET NUMBER:

MO.00

CONTACT PERSONS:

DESCRIPTION:	PERSON:
PROJECT MANAGER	BRANDON FORTIER
MECHANICAL ENGINEER	BLAIR HAWN

MECHANICAL GENERAL NOTES:

- DRAWINGS SHOWING LOCATIONS OF EQUIPMENT, DUCTWORK, PIPING, ETC. ARE DIAGRAMMATIC AND MAY NOT ALWAYS REFLECT EXACT INSTALLATION CONDITIONS. DRAWINGS SHOW THE GENERAL ARRANGEMENT OF DUCTWORK, PIPING, EQUIPMENT, ETC., AND MAY NOT INCLUDE ALL OFFSETS AND FITTINGS REQUIRED FOR COMPLETE INSTALLATION. THE DRAWINGS SHALL BE FOLLOWED AS CLOSELY AS ACTUAL BUILDING CONSTRUCTION AND THE WORK OF OTHERS WILL PERMIT.
- DO NOT SCALE DRAWINGS. VERIFY ALL DIMENSIONS AND CLEARANCES FROM ARCHITECTURAL, STRUCTURAL, SUBMITTALS, AND OTHER APPROPRIATE DRAWINGS OR PHYSICALLY AT SITE. REVIEW ALL DRAWINGS, INCLUDING THOSE OF OTHER TRADES.
- COORDINATE ALL WORK WITH ALL OTHER TRADES PRIOR TO INSTALLATION TO PROVIDE CLEARANCES REQUIRED FOR OPERATION, MAINTENANCE, CODE COMPLIANCE, AND TO VERIFY NON-INTERFERENCE WITH OTHER WORK. DO NOT FABRICATE PRIOR TO VERIFICATION OF NECESSARY CLEARANCES FOR ALL TRADES. BRING ANY INTERFERENCES OR CONFLICTS TO THE ATTENTION OF THE ARCHITECT/ENGINEER BEFORE PROCEEDING WITH FABRICATION OR EQUIPMENT ORDERS.
- REVIEW SPACE REQUIREMENTS OF EQUIPMENT SPECIFIED OR SUBSTITUTED AND MAKE REASONABLE ACCOMMODATIONS IN LAYOUT AND POSITIONING TO PROVIDE PROPER ACCESS.
- ANY CHANGES REQUIRED TO ELIMINATE CONFLICTS OR THAT RESULT FROM A FAILURE TO COORDINATE SHALL BE MADE BY THE CONTRACTOR WITHOUT ADDITIONAL COST OR EXPENSE TO OTHERS.
- EACH CONTRACTOR IS RESPONSIBLE FOR ALL COSTS ASSOCIATED WITH ELECTRICAL CHANGES REQUIRED FOR EQUIPMENT PROPOSED THAT DIFFERS FROM THE BASIS OF DESIGN.
- REFER TO ARCHITECTURAL, REFLECTED CEILING PLAN, ELECTRICAL, TECHNOLOGY AUDIOVISUAL, AND OTHER MECHANICAL PLANS FOR EXACT LOCATIONS OF ALL CEILING MOUNTED DEVICES, OTHER THAN SPRINKLERS.
- IN AREAS WITH DRYWALL CEILINGS COORDINATE LOCATIONS OF ACCESS PANELS WITH THE GC FOR ACCESS TO VALVES, DUCTWORK ACCESSORIES, DAMPERS, ETC. COORDINATE PANEL TYPE AND COLOR WITH ARCHITECT. NOTIFY THE GC OF THE REQUIRED ACCESS PANELS PRIOR TO BIDDING.
- SEAL ALL FLOOR, WALL AND ROOF PENETRATIONS AIRTIGHT WHERE CONDUITS, PIPING, AND DUCTS PENETRATE. PENETRATIONS THROUGH EXTERIOR WALLS AND ROOF SHALL BE SEALED AIRTIGHT WITH WATERPROOFING MATERIALS RECOMMENDED BY MANUFACTURER FOR OUTDOOR USE.
- CAULK ALL PIPE AND DUCT PENETRATIONS OF FULL HEIGHT NON-FIRE RATED WALL, PARTITION, FLOOR, AND ROOF ASSEMBLIES. THIS IS ESSENTIAL TO PREVENT NOISE TRANSMISSION FROM ONE ROOM TO ANOTHER AND TO PROVIDE THE DESIRED NC LEVELS WITHIN ROOMS.
- WHERE PIPES AND DUCTS ARE SHOWN TO PENETRATE FLOORS, PROVIDE SLEEVED OPENINGS WITH THE TOP EDGE RAISED ABOVE FLOOR SURFACE IN ACCORDANCE WITH ALL RELEVANT SPEC SECTIONS. SEAL SLEEVE PERIMETER TO BE WATER TIGHT.
- EQUIPMENT SIZES AND SERVICE CLEARANCE REQUIREMENTS VARY BETWEEN DIFFERENT MANUFACTURERS. CONSULT APPROVED SHOP DRAWINGS FOR EQUIPMENT SIZES AND REQUIRED SERVICE CLEARANCES. COORDINATE WITH LAYOUT OF EQUIPMENT PADS, PIPING, DUCTWORK, ETC.
- DO NOT BLOCK EQUIPMENT SERVICE CLEARANCES.
- MAINTAIN MINIMUM 3'-6" CLEARANCE IN FRONT OF ALL ELECTRICAL PANELS, MOTOR STARTERS, SWITCHES, AND DISCONNECTS.
- PROVIDE CONCRETE EQUIPMENT PAD FOR ALL FLOOR MOUNTED EQUIPMENT. PAD SHALL EXTEND MINIMUM 6" BEYOND ALL SIDES OF EQUIPMENT.
- DO NOT SUPPORT EQUIPMENT, PIPING, OR DUCTWORK FROM METAL DECKING OR OTHER NON-STRUCTURAL BUILDING ELEMENTS. ANCHORS EMBEDDED IN CONCRETE SHALL BE CRACKED CONCRETE APPROVED IN ACCORDANCE WITH SPECIFICATIONS.

MECHANICAL ABBREVIATION KEY

ABBR:	DESCRIPTION:
AD	ACCESS DOOR
AFF	ABOVE FINISHED FLOOR
BFP	BACKFLOW PREVENTER
DPG (0-2')	DIFFERENTIAL PRESSURE GAUGE (RANGE)
DPS	DIFFERENTIAL PRESSURE SWITCH
EA	EXHAUST/RELIEF AIR
FD	FIRE DAMPER
MA	MIXED AIR
OA	OUTSIDE AIR
RA	RETURN AIR
SA	SUPPLY AIR
TAB	TERMINAL AIR BOX
TD	TRANSFER DUCT
TYP	TYPICAL

LINE TYPE KEY:

- NEW WORK BY THIS CONTRACTOR (DARK SOLID LINE)
- - - NEW WORK UNDER FLOOR OR UNDERGROUND BY THIS CONTRACTOR (DARK LONG DASHED LINE)
- NEW WORK BY OTHERS (LIGHT SOLID LINE)

FIRE BARRIER DESIGNATIONS

THE SYMBOLS SHOWN ARE FOR THE CONVENIENCE OF THE CONTRACTOR. THE CONTRACTOR SHALL VERIFY RATINGS WITH THE LATEST SET OF ARCHITECTURAL PLANS AND FURNISH ALL MATERIALS REQUIRED TO COMPLY WITH THOSE RATINGS WHETHER SHOWN OR NOT.

ALL FLOOR, FLOOR CEILING, AND ROOF CEILING ASSEMBLIES SHALL BE DESIGNATED AS 1 HOUR FIRE BARRIERS, UNLESS NOTED OTHERWISE ON THE PLANS. RATINGS WERE ACQUIRED FROM THE ARCHITECTURAL PLANS DATED 08/12/2015.

1 HOUR FIRE BARRIER	-----
---------------------	-------

MECHANICAL SHEET INDEX

M0.00	MECHANICAL COVER SHEET
M1.11	LEVEL 1 PLAN - WEST - VENTILATION
M1.12	LEVEL 1 PLAN - EAST - VENTILATION
M1.21	LEVEL 2 PLAN - WEST - VENTILATION
M1.22	LEVEL 2 PLAN - EAST - VENTILATION
M1.31	ROOF PLAN - WEST - VENTILATION
M1.32	ROOF PLAN - EAST - VENTILATION
M2.11	LEVEL 1 PLAN - WEST - PIPING
M2.12	LEVEL 1 PLAN - EAST - PIPING
M2.21	LEVEL 2 PLAN - WEST - PIPING
M2.22	LEVEL 2 PLAN - EAST - PIPING
M2.31	ROOF PLAN - WEST - PIPING
M2.32	ROOF PLAN - EAST - PIPING
M3.00	ENLARGED PLANS MECHANICAL
M4.00	MECHANICAL DETAILS
M4.01	MECHANICAL DETAILS
M4.02	MECHANICAL DETAILS
M4.03	MECHANICAL DETAILS
M5.00	MECHANICAL SCHEDULES
M5.01	MECHANICAL SCHEDULES
M5.02	MECHANICAL SCHEDULES
M6.00	HEATING WATER FLOW DIAGRAM
M7.00	CONTROL DIAGRAMS
M7.01	CONTROL DIAGRAMS
M7.02	CONTROL DIAGRAMS
M7.03	CONTROL DIAGRAMS

VENTILATION SYMBOL LIST

SYMBOL:	DESCRIPTION:
	DIRECTION OF AIR FLOW
	FLEXIBLE DUCT
	MANUAL VOLUME DAMPER
	RISE IN DIRECTION OF AIR FLOW
	DROP IN DIRECTION OF AIR FLOW
	DUCT CAP
	DUCT DOWN
	DUCT UP
	SUPPLY/OUTSIDE AIR DUCT SECTION
	RETURN AIR DUCT SECTION
	EXHAUST/RELIEF AIR DUCT SECTION
	4-WAY DIFFUSER WITH BLANKOFF IN ONE DIRECTION
	AIR TERMINAL PROPERTIES SYMBOL NECK SIZE/CFM
	TERMINAL AIR BOX (REFER TO SCHEDULE)
	TERMINAL AIR BOX w/REHEAT COIL (REFER TO SCHEDULE)
	OPPOSED BLADE DAMPER (REFER TO SCHEDULE)
	PARALLEL BLADE DAMPER (REFER TO SCHEDULE)
	DIFFERENTIAL PRESSURE SENSOR

PIPING SYMBOL LIST

SYMBOL:	DESCRIPTION:
	DRAIN
	NATURAL GAS
	GAS REGULATOR VENT
	HEATING WATER RETURN
	HEATING WATER SUPPLY
	REFRIGERANT LIQUID
	REFRIGERANT SUCTION
	LAB VACUUM
	PIPE CAP
	PIPE DOWN
	PIPE UP OR UP/DOWN
	PITCH PIPE IN DIRECTION
	DIRECTION OF FLOW IN PIPE
	DIELECTRIC CONNECTION
	UNION/FLANGE
	SHUTOFF VALVE NORMALLY OPEN
	SHUTOFF VALVE NORMALLY CLOSED
	SOLENOID VALVE
	BALANCING VALVE (NUMBER INDICATES GPM)
	CONTROL VALVE (THREE-WAY)
	CONTROL VALVE (TWO-WAY)
	CHECK VALVE
	SOLENOID VALVE
	SAFETY/RELIEF VALVE
	PRESSURE REDUCING VALVE (LIQUID/GAS)
	TRIPLE DUTY VALVE (IN-LINE TYPE)
	"WYE" - STRAINER
	"WYE" - STRAINER W/SHUTOFF VALVE AND HOSE CONNECTION WITH CAP
	FLEXIBLE CONNECTION
	PRESSURE/TEMPERATURE TEST PLUG
	REDUCER - REFERENCE SPECIFICATION FOR CONCENTRIC/ECCENTRIC AND FOOT/FOB
	PRESSURE GAUGE (FURNISHED WITH BALL VALVE)
	SUCTION DIFFUSER WITH SUPPORT FOOT
	AUTOMATIC AIR VENT
	MANUAL AIR VENT
	DRAIN VALVE WITH HOSE CONNECTION AND CAP
	TEMPERATURE SENSOR WITH WELL
	THERMOMETER WITH WELL (DIAL TYPE)
	THERMOMETER WITH WELL (FILLED TYPE)
	FLOW METER
	METER
	THERMOSTAT/SENSOR
	THERMOSTAT/SENSOR w/HEAVY DUTY ENCLOSURE
	CARBON DIOXIDE SENSOR

KJWW ENGINEERING CONSULTANTS
 1100 WARRENVILLE ROAD, SUITE 400W
 NAPERVILLE, ILLINOIS 60563
 630.527.2320 FAX: 630.527.2321
 WWW.KJWW.COM

Blank Design Firm Registration #14-005-0073
 PROJECT # 14-005-00

KJWW ENGINEERING RESERVES PROPRIETARY RIGHTS, INCLUDING COPYRIGHTS, TO THE DRAWING AND THE DATA SHOWN THEREON. SUCH DRAWING AND/OR DATA ARE THE EXCLUSIVE PROPERTY OF KJWW ENGINEERING AND SHALL NOT BE USED OR REPRODUCED FOR ANY OTHER PROJECT WITHOUT THE EXPRESS WRITTEN APPROVAL AND PARTICIPATION OF KJWW ENGINEERING. © 2015 KJWW, P.C.

REFERENCE SCALE IN INCHES
 0 1 2 3



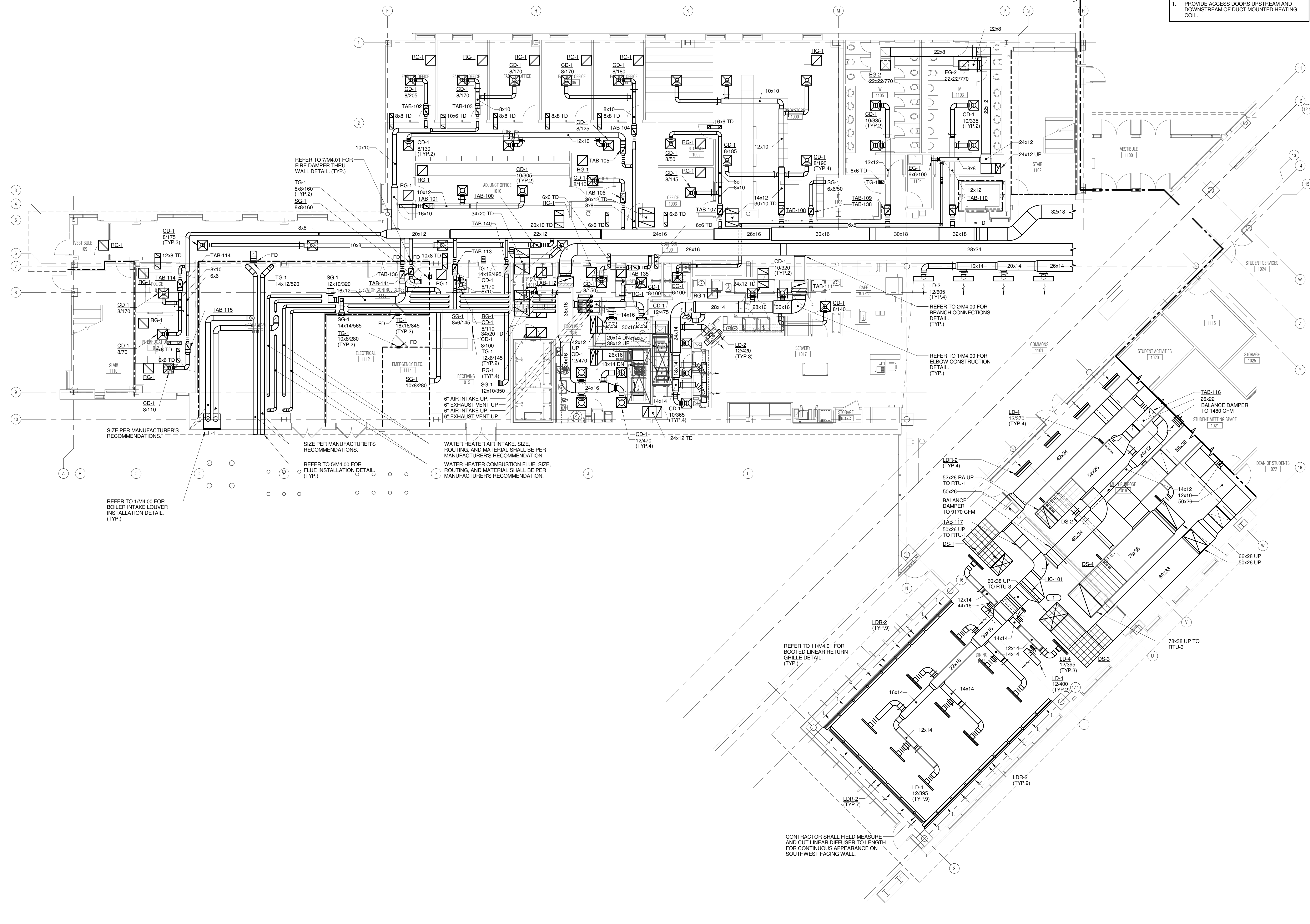
ARCHITECT OF RECORD
DEMONICA KEMPER ARCHITECTS
 125 N. HALSTED STREET, SUITE 301
 CHICAGO, IL 60661
 P: 312.496.0000

STRUCTURAL AND MEP/FP ENGINEERING
KJWW ENGINEERING CONSULTANTS
 1100 WARRENVILLE RD., SUITE 400W
 NAPERVILLE, IL 60563
 P: 630.527.2320

FOOD SERVICE CONSULTANT
CINI LITTLE INTERNATIONAL, INC.
 200 E. HOWARD AVE., SUITE 212
 DES PLAINES, IL 60018
 P: 847.298.0088

JOLIET JUNIOR COLLEGE
ROMEORVILLE CAMPUS EXPANSION
 1125 135th ST. ROMEORVILLE, IL 60446
 DKA PROJECT NO: 14-005

- GENERAL VENTILATION NOTES:**
1. THE SIZE OF EACH BRANCH DUCT TO A TERMINAL AIR BOX (TAB) SHALL MATCH THE TAB'S INLET SIZE UNLESS THE BRANCH IS GREATER THAN 6 FEET IN LENGTH, THEN THE BRANCH SHOULD BE INCREASED ONE DUCT SIZE, OR AS NOTED OTHERWISE. FLEXIBLE CONNECTIONS SHALL BE PROVIDED AND INSTALLED FOR ALL DUCT CONNECTIONS TO ROOFTOP UNITS.
- KEYNOTES: #**
1. PROVIDE ACCESS DOORS UPSTREAM AND DOWNSTREAM OF DUCT MOUNTED HEATING COIL.



1 LEVEL 1 PLAN - WEST - VENTILATION
 1/8" = 1'-0"

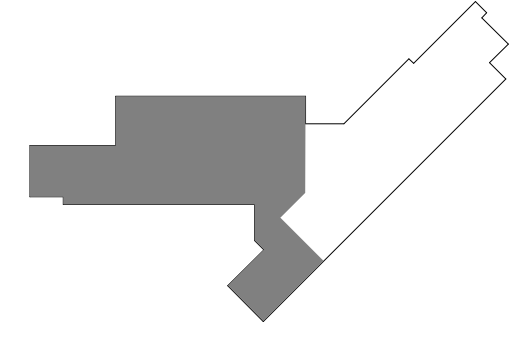
KJWW ENGINEERING CONSULTANTS
 1100 WARRENVILLE ROAD, SUITE 400W
 NAPERVILLE, ILLINOIS 60563
 P: 630.527.2320 FAX: 630.527.2321
 WWW.KJWW.COM

PROJECT # 14-005

KJWW ENGINEERING RESERVES PROPRIETARY RIGHTS, INCLUDING COPYRIGHTS, TO THIS DRAWING AND THE DATA SHOWN THEREON. SUCH DRAWING AND/OR DATA ARE THE EXCLUSIVE PROPERTY OF KJWW ENGINEERING AND SHALL NOT BE USED OR REPRODUCED FOR ANY OTHER PROJECT WITHOUT THE EXPRESS WRITTEN APPROVAL AND PARTICIPATION OF KJWW ENGINEERING. © 2015 KJWW, P.C.

REFERENCE SCALE IN INCHES

KEY PLAN:



SHEET STATUS: 9/21/15
ISSUED FOR CONSTRUCTION

NO.	DESCRIPTION:	DATE:

SHEET TITLE:
LEVEL 1 PLAN - WEST - VENTILATION

SHEET NUMBER:
M1.11



ARCHITECT OF RECORD
DEMONICA KEMPER ARCHITECTS
 125 N. HALSTED STREET, SUITE 301
 CHICAGO, IL 60661
 P: 312.496.0000

STRUCTURAL AND MEP/FP ENGINEERING
KJWW ENGINEERING CONSULTANTS
 1100 WARRENVILLE RD., SUITE 400W
 NAPERVILLE, IL 60563
 P: 630.527.2320

FOOD SERVICE CONSULTANT
CINI LITTLE INTERNATIONAL, INC.
 200 E. HOWARD AVE., SUITE 212
 DES PLAINES, IL 60018
 P: 847.298.0088

GENERAL VENTILATION NOTES:
 1. THE SIZE OF EACH BRANCH DUCT TO A TERMINAL AIR BOX (TAB) SHALL MATCH THE TAB'S INLET SIZE UNLESS THE BRANCH IS GREATER THAN 6 FEET IN LENGTH, THEN THE BRANCH SHOULD BE INCREASED ONE DUCT SIZE, OR AS NOTED OTHERWISE.

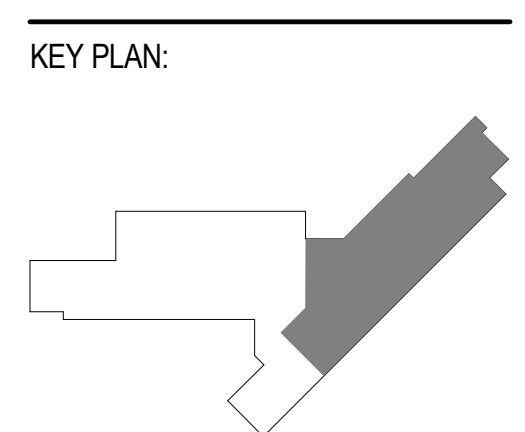
KEYNOTES: #
 1. REFER TO 2.M1.12 FOR ALTERNATE BID #1 SCOPE.



LEVEL 1 PLAN - ALT. BID 1 - VENTILATION
 1/8" = 1'-0"
 NOTES:
 1. ALTERNATE BID 1 IS NOT IN THE CONTRACT.

LEVEL 1 PLAN - EAST - VENTILATION
 1/8" = 1'-0"

JOLIET JUNIOR COLLEGE
ROMEORVILLE CAMPUS EXPANSION
 1125 135th ST. ROMEORVILLE, IL 60446
 DKA PROJECT NO: 14-005



SHEET STATUS: 9/21/15
ISSUED FOR CONSTRUCTION

NO.	DESCRIPTION:	DATE:

SHEET TITLE:
LEVEL 1 PLAN - EAST - VENTILATION

SHEET NUMBER:
M1.12

KJWW ENGINEERING CONSULTANTS
 1100 WARRENVILLE ROAD, SUITE 400W
 NAPERVILLE, IL 60563
 630.527.2320 FAX: 630.527.2321
 WWW.KJWW.COM
 PROJECT # 14-005.00
 DESIGN FIRM REGISTRATION #14-005-0075

KJWW ENGINEERING RESERVES PROPRIETARY RIGHTS, INCLUDING COPYRIGHTS, TO THIS DRAWING AND THE DATA SHOWN THEREON. SAID DRAWING AND/OR DATA ARE THE EXCLUSIVE PROPERTY OF KJWW ENGINEERING AND SHALL NOT BE USED OR REPRODUCED FOR ANY OTHER PROJECT WITHOUT THE EXPRESS WRITTEN APPROVAL AND PARTICIPATION OF KJWW ENGINEERING. © 2015 KJWW, P.C.

REFERENCE SCALE IN INCHES
 0 1 2 3

GENERAL VENTILATION NOTES:
 1. THE SIZE OF EACH BRANCH DUCT TO A TERMINAL AIR BOX (TAB) SHALL MATCH THE TAB'S INLET SIZE UNLESS THE BRANCH IS GREATER THAN 6 FEET IN LENGTH, THEN THE BRANCH SHOULD BE INCREASED ONE DUCT SIZE, OR AS NOTED OTHERWISE.

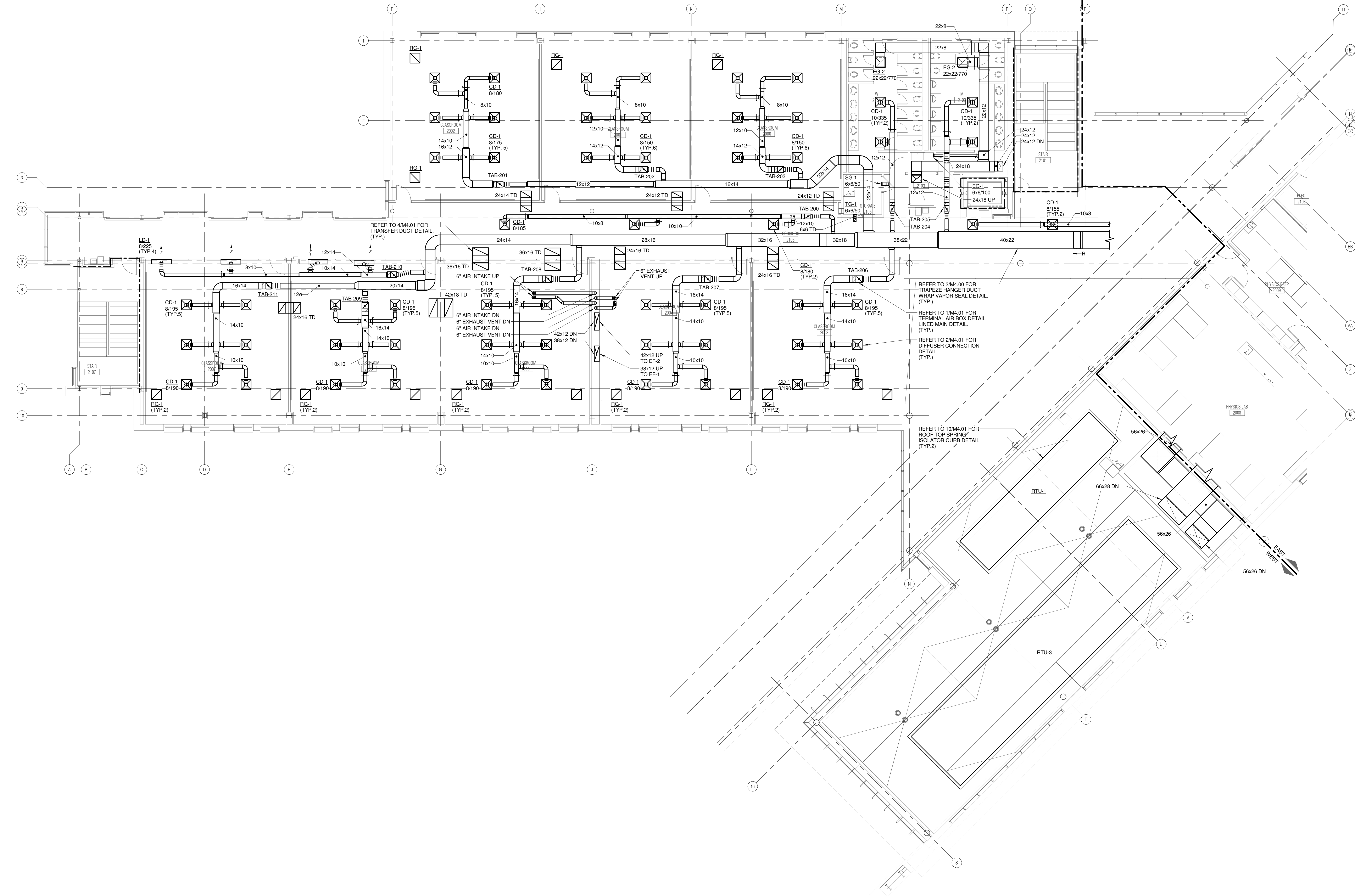


ARCHITECT OF RECORD
DEMONICA KEMPER ARCHITECTS
 125 N. HALSTED STREET, SUITE 301
 CHICAGO, IL 60661
 P: 312.496.0000

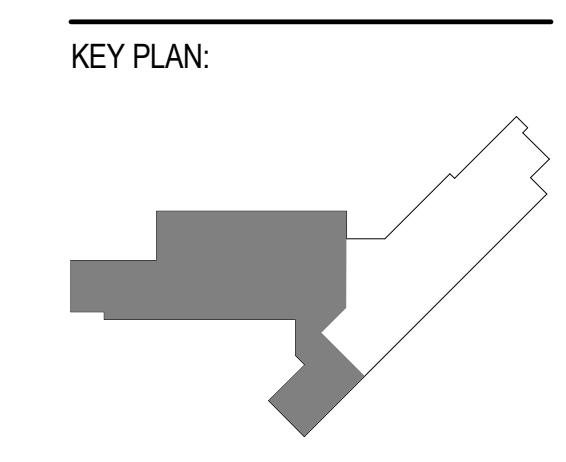
STRUCTURAL AND MEP/FP ENGINEERING
KJWW ENGINEERING CONSULTANTS
 1100 WARRENVILLE RD., SUITE 400W
 NAPERVILLE, IL 60563
 P: 630.527.2320

FOOD SERVICE CONSULTANT
CINI LITTLE INTERNATIONAL, INC.
 200 E. HOWARD AVE., SUITE 212
 DES PLAINES, IL 60018
 P: 847.298.0088

JOLIET JUNIOR COLLEGE
ROMEOVILLE CAMPUS EXPANSION
 1125 135th ST. ROMEOVILLE, IL 60446
 DKA PROJECT NO: 14-005



1 LEVEL 2 PLAN - WEST - VENTILATION
 1/8" = 1'-0"



SHEET STATUS: 9/21/15
ISSUED FOR CONSTRUCTION

NO.	DESCRIPTION:	DATE:

SHEET TITLE:
LEVEL 2 PLAN - WEST - VENTILATION

SHEET NUMBER:
M1.21

KJWW ENGINEERING CONSULTANTS
 1100 WARRENVILLE ROAD, SUITE 400W
 NAPERVILLE, IL 60563
 630.527.2320 FAX: 630.527.2321
 WWW.KJWW.COM
 PROJECT # 14-005-00
 DESIGN FIRM REGISTRATION #14-005-00

KJWW ENGINEERING RESERVES PROPRIETARY RIGHTS, INCLUDING COPYRIGHTS, TO THIS DRAWING AND THE DATA SHOWN THEREON. SUCH DRAWING AND/OR DATA ARE THE EXCLUSIVE PROPERTY OF KJWW ENGINEERING AND SHALL NOT BE USED OR REPRODUCED FOR ANY OTHER PROJECT WITHOUT THE EXPRESS WRITTEN APPROVAL AND PARTICIPATION OF KJWW ENGINEERING. © 2015 KJWW, P.C.

REFERENCE SCALE IN INCHES
 0 1 2 3



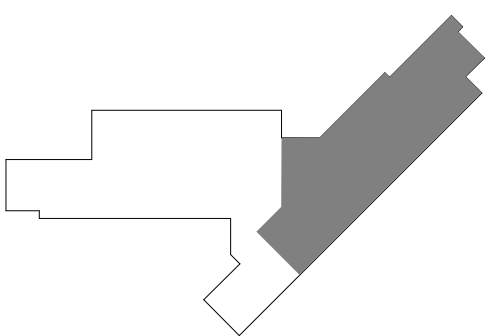
ARCHITECT OF RECORD
DEMONICA KEMPER ARCHITECTS
 125 N. HALSTED STREET, SUITE 301
 CHICAGO, IL 60661
 P: 312.496.0000

STRUCTURAL AND MEP/FP ENGINEERING
KJWW ENGINEERING CONSULTANTS
 1100 WARRENVILLE RD., SUITE 400W
 NAPERVILLE, IL 60563
 P: 630.527.2320

FOOD SERVICE CONSULTANT
CINI LITTLE INTERNATIONAL, INC.
 200 E. HOWARD AVE., SUITE 212
 DES PLAINES, IL 60018
 P: 847.298.0088

JOLIET JUNIOR COLLEGE
ROMEORVILLE CAMPUS EXPANSION
 1125 135th ST. ROMEORVILLE, IL 60446
 DKA PROJECT NO: 14-005

KEY PLAN:



SHEET STATUS: 9/21/15
ISSUED FOR CONSTRUCTION

NO.	DESCRIPTION:	DATE:

SHEET TITLE:
LEVEL 2 PLAN - EAST - VENTILATION

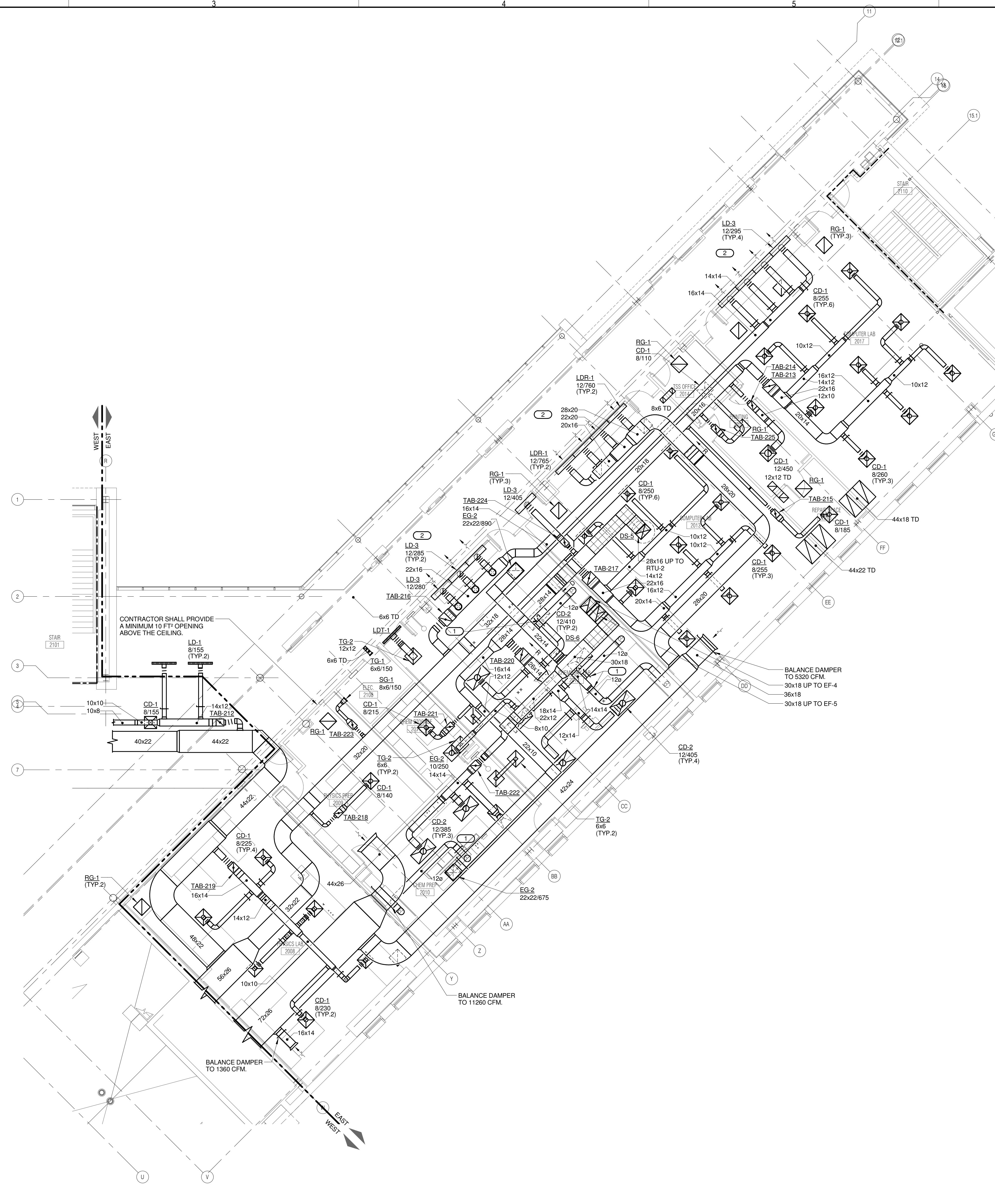
SHEET NUMBER:
M1.22

GENERAL VENTILATION NOTES:

1. THE SIZE OF EACH BRANCH DUCT TO A TERMINAL AIR BOX (TAB) SHALL MATCH THE TAB'S INLET SIZE UNLESS THE BRANCH IS GREATER THAN 6 FEET IN LENGTH. THEN THE BRANCH SHOULD BE INCREASED ONE DUCT SIZE, OR AS NOTED OTHERWISE. FLEXIBLE CONNECTIONS SHALL BE PROVIDED AND INSTALLED FOR ALL DUCT CONNECTIONS TO ROOFTOP UNITS.

KEYNOTES:

1. BALANCE TO 600 CFM
2. THE INTENT IS FOR THE LINEAR DIFFUSER TO BE THE SIDE-WALL HIDDEN FLANGE TYPE. THE LINEAR DIFFUSER IS TO HAVE A CONTINUOUS LOOK AND THE CONTRACTOR IS TO BLANK-OFF THE UNUSED PORTIONS OF THE LINEAR DIFFUSER. REFER TO THE ARCHITECTURAL PLANS FOR MORE INFORMATION REGARDING LENGTH AND ELEVATION.



LEVEL 2 PLAN - EAST - VENTILATION
 1/8" = 1'-0"

KJWW ENGINEERING CONSULTANTS
 1100 WARRENVILLE ROAD, SUITE 400W
 NAPERVILLE, IL 60563
 630.527.2320 FAX: 630.527.2321
 WWW.KJWW.COM
 PROJECT # 14-005-00

KJWW ENGINEERING RESERVES PROPRIETARY RIGHTS, INCLUDING COPYRIGHTS, TO THIS DRAWING AND THE DATA SHOWN THEREON. SAID DRAWING AND/OR DATA ARE THE EXCLUSIVE PROPERTY OF KJWW ENGINEERING AND SHALL NOT BE USED OR REPRODUCED FOR ANY OTHER PROJECT WITHOUT THE EXPRESS WRITTEN APPROVAL AND PARTICIPATION OF KJWW ENGINEERING. © 2015 KJWW, P.C.

REFERENCE SCALE IN INCHES



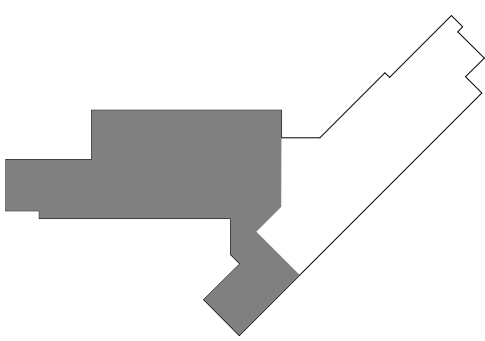
ARCHITECT OF RECORD
DEMONICA KEMPER ARCHITECTS
 125 N. HALSTED STREET, SUITE 301
 CHICAGO, IL 60661
 P: 312.496.0000

STRUCTURAL AND MEP/FP ENGINEERING
KJWW ENGINEERING CONSULTANTS
 1100 WARRENVILLE RD., SUITE 400W
 NAPERVILLE, IL 60563
 P: 630.527.2320

FOOD SERVICE CONSULTANT
CINI LITTLE INTERNATIONAL, INC.
 200 E. HOWARD AVE., SUITE 212
 DES PLAINES, IL 60018
 P: 847.298.0088

**JOLIET JUNIOR COLLEGE
 ROMEVILLE CAMPUS EXPANSION**
 1125 135th ST. ROMEVILLE, IL 60446
 DKA PROJECT NO: 14-005

KEY PLAN:



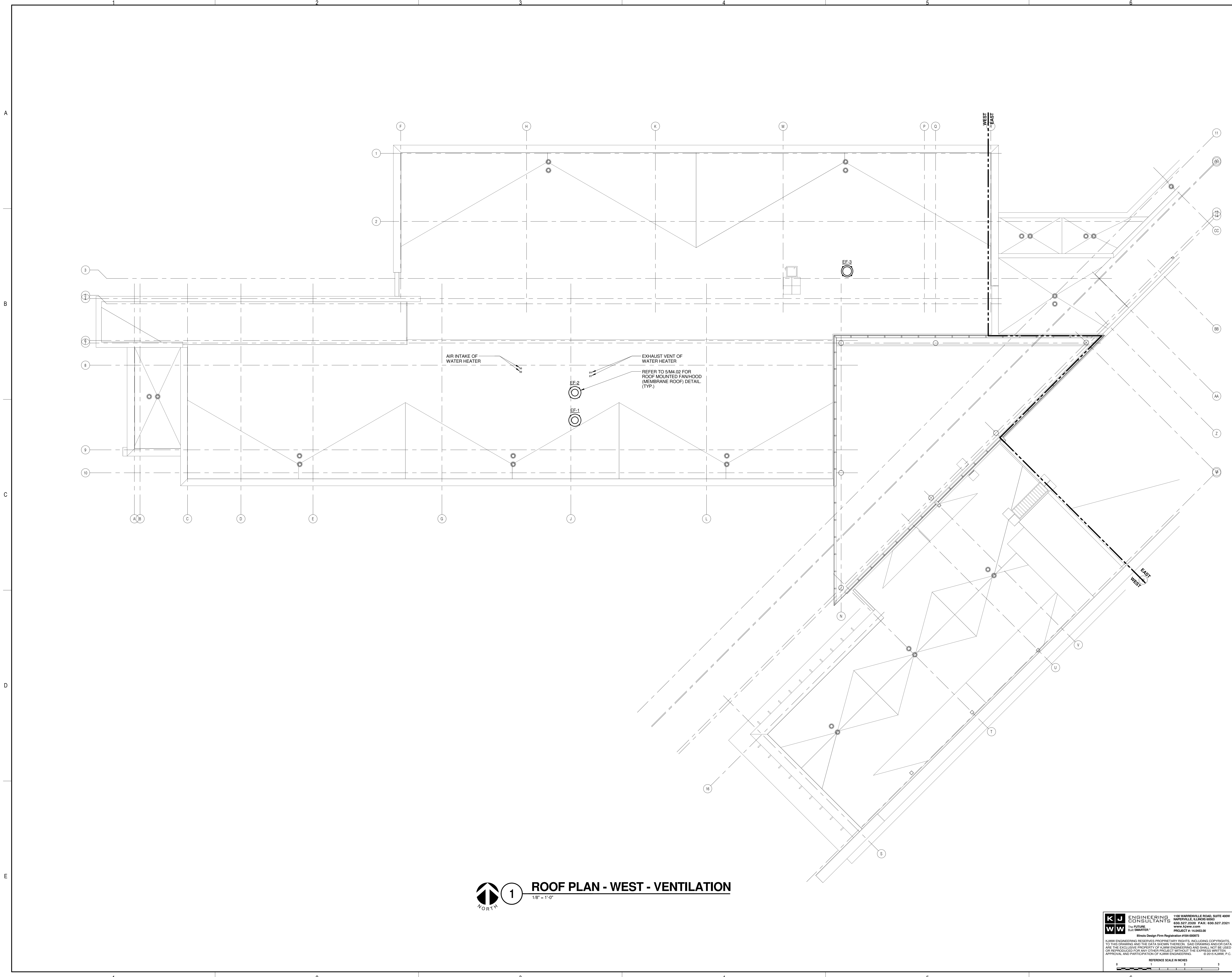
SHEET STATUS: 9/21/15
**ISSUED FOR
 CONSTRUCTION**

NO.	DESCRIPTION:	DATE:

SHEET TITLE:
**ROOF PLAN - WEST -
 VENTILATION**

SHEET NUMBER:

M1.31



1 ROOF PLAN - WEST - VENTILATION
 1/8" = 1'-0"

KJWW ENGINEERING CONSULTANTS
 1100 WARRENVILLE ROAD, SUITE 400W
 NAPERVILLE, IL 60563
 630.527.2320 FAX: 630.527.2321
 WWW.KJWW.COM
 PROJECT # 14-005-00

DESIGN
 KJWW ENGINEERING RESERVES PROPRIETARY RIGHTS, INCLUDING COPYRIGHTS, TO THIS DRAWING AND THE DATA SHOWN THEREON. SAID DRAWING AND/OR DATA ARE THE EXCLUSIVE PROPERTY OF KJWW ENGINEERING AND SHALL NOT BE USED OR REPRODUCED FOR ANY OTHER PROJECT WITHOUT THE EXPRESS WRITTEN APPROVAL AND PARTICIPATION OF KJWW ENGINEERING. © 2015 KJWW, P.C.

REFERENCE SCALE IN INCHES
 0 1 2 3



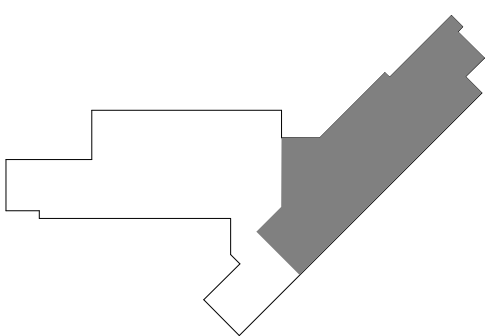
ARCHITECT OF RECORD
DEMONICA KEMPER ARCHITECTS
 125 N. HALSTED STREET, SUITE 301
 CHICAGO, IL 60661
 P: 312.496.0000

STRUCTURAL AND MEP/FP ENGINEERING
KJWW ENGINEERING CONSULTANTS
 1100 WARRENVILLE RD., SUITE 400W
 NAPERVILLE, IL 60563
 P: 630.527.2320

FOOD SERVICE CONSULTANT
CINI LITTLE INTERNATIONAL, INC.
 200 E. HOWARD AVE., SUITE 212
 DES PLAINES, IL 60018
 P: 847.298.0088

**JOLIET JUNIOR COLLEGE
 ROMEOVILLE CAMPUS EXPANSION**
 1125 135th ST. ROMEOVILLE, IL 60446
 DKA PROJECT NO: 14-005

KEY PLAN:



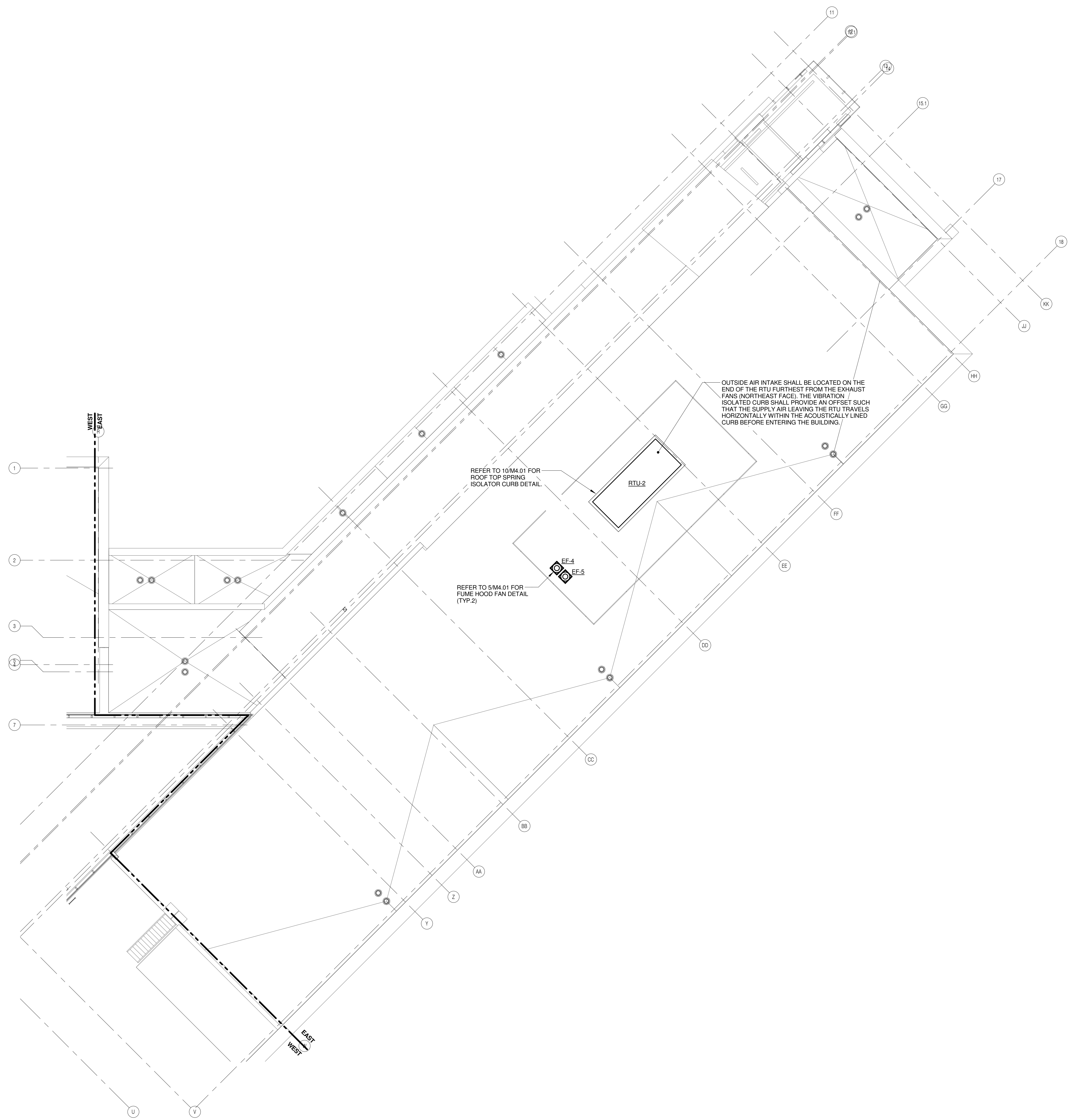
SHEET STATUS: 9/21/15
**ISSUED FOR
 CONSTRUCTION**

NO.	DESCRIPTION:	DATE:

SHEET TITLE:
**ROOF PLAN - EAST -
 VENTILATION**

SHEET NUMBER:

M1.32



1

ROOF PLAN - EAST - VENTILATION

1/8" = 1'-0"

KJWW ENGINEERING CONSULTANTS
 1100 WARRENVILLE ROAD, SUITE 400W
 NAPERVILLE, IL 60563
 630.527.2320 FAX: 630.527.2321
 WWW.KJWW.COM
 PROJECT # 14-005-00

KJWW ENGINEERING 1100 WARRENVILLE ROAD, SUITE 400W
 NAPERVILLE, IL 60563
 630.527.2320 FAX: 630.527.2321
 WWW.KJWW.COM
 PROJECT # 14-005-00

KJWW ENGINEERING RESERVES PROPRIETARY RIGHTS, INCLUDING COPYRIGHTS, TO THIS DRAWING AND THE DATA SHOWN THEREON. SAID DRAWING AND/OR DATA ARE THE EXCLUSIVE PROPERTY OF KJWW ENGINEERING AND SHALL NOT BE USED OR REPRODUCED FOR ANY OTHER PROJECT WITHOUT THE EXPRESS WRITTEN APPROVAL AND PARTICIPATION OF KJWW ENGINEERING. © 2015 KJWW, P.C.

REFERENCE SCALE IN INCHES
 0 1 2 3



ARCHITECT OF RECORD
DEMIONA KEMPER ARCHITECTS
 125 N. HALSTED STREET, SUITE 301
 CHICAGO, IL 60661
 P: 312.496.0000

STRUCTURAL AND MEP/FP ENGINEERING
KJWW ENGINEERING CONSULTANTS
 1100 WARRENVILLE RD., SUITE 400W
 NAPERVILLE, IL 60563
 P: 630.527.2320

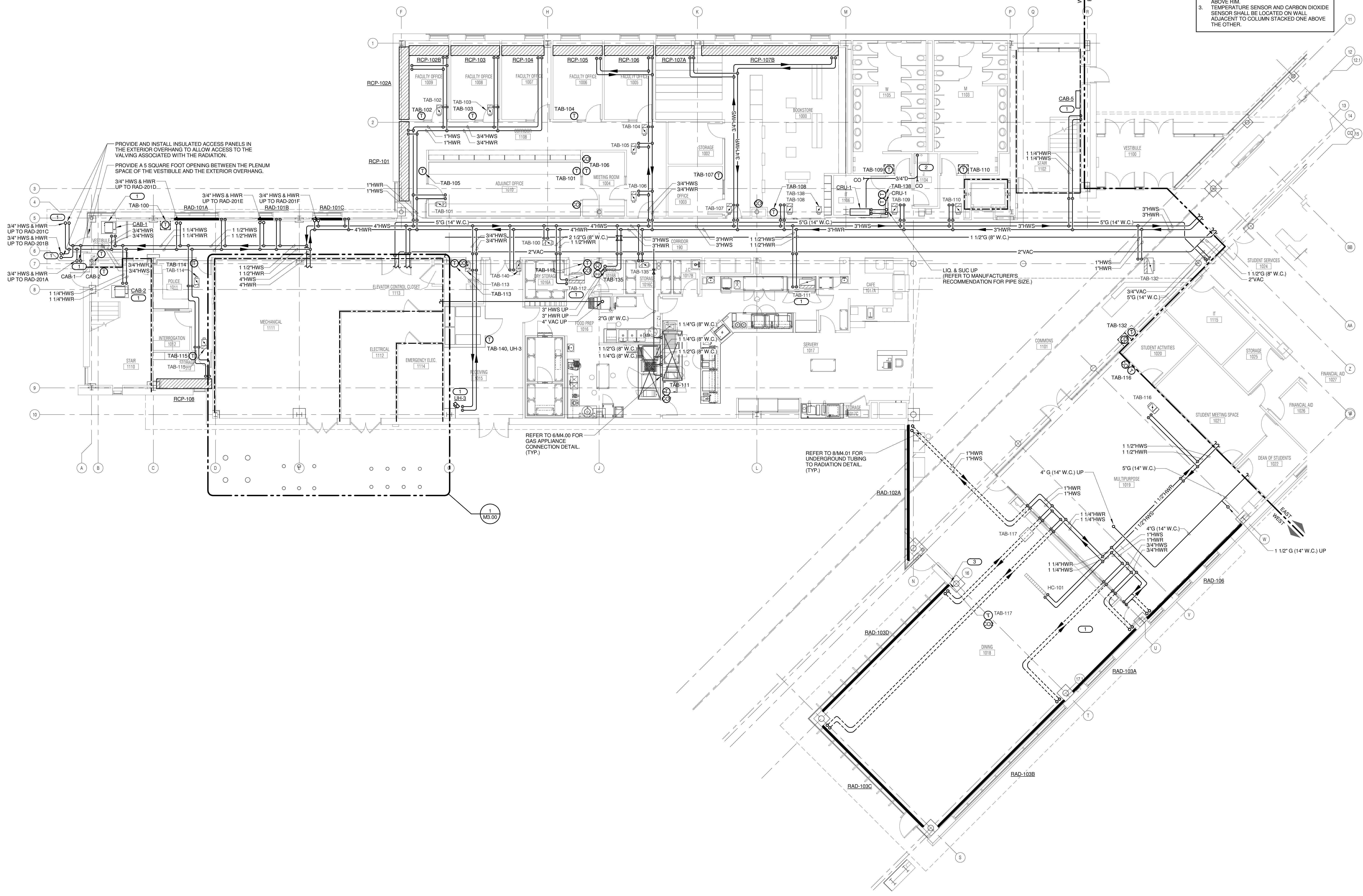
FOOD SERVICE CONSULTANT
CINI LITTLE INTERNATIONAL, INC.
 200 E. HOWARD AVE., SUITE 212
 DES PLAINES, IL 60018
 P: 847.298.0088

GENERAL HEATING NOTES :

1. THE SIZE OF BRANCH PIPING TO TERMINAL HEATING DEVICES AND COILS SHALL BE 3/4" UNLESS NOTED OTHERWISE.
2. INSTALL ALL REFRIGERANT LIQUID AND SUCTION PIPING AND SIZED PER EQUIPMENT MANUFACTURER RECOMMENDATIONS.

KEYNOTES:

1. LOCATION OF HWS/HWR 3-WAY CONTROL VALVE REFER TO M5.00 FOR MORE INFORMATION.
2. ROUTE 3/4"D TO MOP BASIN AND TERMINATE 6" ABOVE RIM.
3. TEMPERATURE SENSOR AND CARBON DIOXIDE SENSOR SHALL BE LOCATED ON WALL ADJACENT TO COLUMN STACKED ONE ABOVE THE OTHER.



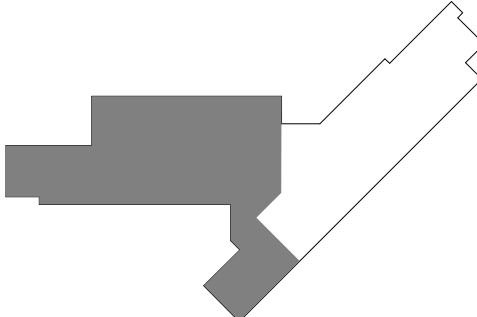
PROVIDE AND INSTALL INSULATED ACCESS PANELS IN THE EXTERIOR OVERHANG TO ALLOW ACCESS TO THE VALVING ASSOCIATED WITH THE RADIATION.

PROVIDE A 5 SQUARE FOOT OPENING BETWEEN THE PLENUM SPACE OF THE VESTIBULE AND THE EXTERIOR OVERHANG.

1 LEVEL 1 PLAN - WEST - PIPING
 1/8" = 1'-0"

JOLIET JUNIOR COLLEGE
ROMEORVILLE CAMPUS EXPANSION
 1125 135th ST. ROMEORVILLE, IL 60446
 DKA PROJECT NO: 14-005

KEY PLAN:



SHEET STATUS: 9/21/15
ISSUED FOR CONSTRUCTION

NO.	DESCRIPTION:	DATE:

SHEET TITLE:
LEVEL 1 PLAN - WEST - PIPING

SHEET NUMBER:
M2.11

KJWW ENGINEERING CONSULTANTS
 1100 WARRENVILLE ROAD, SUITE 400W
 NAPERVILLE, IL 60563
 630.527.2320 FAX: 630.527.2321
 WWW.KJWW.COM

THE REGISTERED PROFESSIONAL ENGINEER
 PROJECT # 14-0463.00
 DESIGN PROFESSIONAL REGISTRATION #14-00077

KJWW ENGINEERING RESERVES PROPRIETARY RIGHTS, INCLUDING COPYRIGHTS, TO THIS DRAWING AND THE DATA SHOWN THEREON. SAID DRAWING AND/OR DATA ARE THE EXCLUSIVE PROPERTY OF KJWW ENGINEERING AND SHALL NOT BE USED OR REPRODUCED FOR ANY OTHER PROJECT WITHOUT THE EXPRESS WRITTEN APPROVAL AND PARTICIPATION OF KJWW ENGINEERING. © 2015 KJWW, P.C.

REFERENCE SCALE IN INCHES
 0 1 2 3



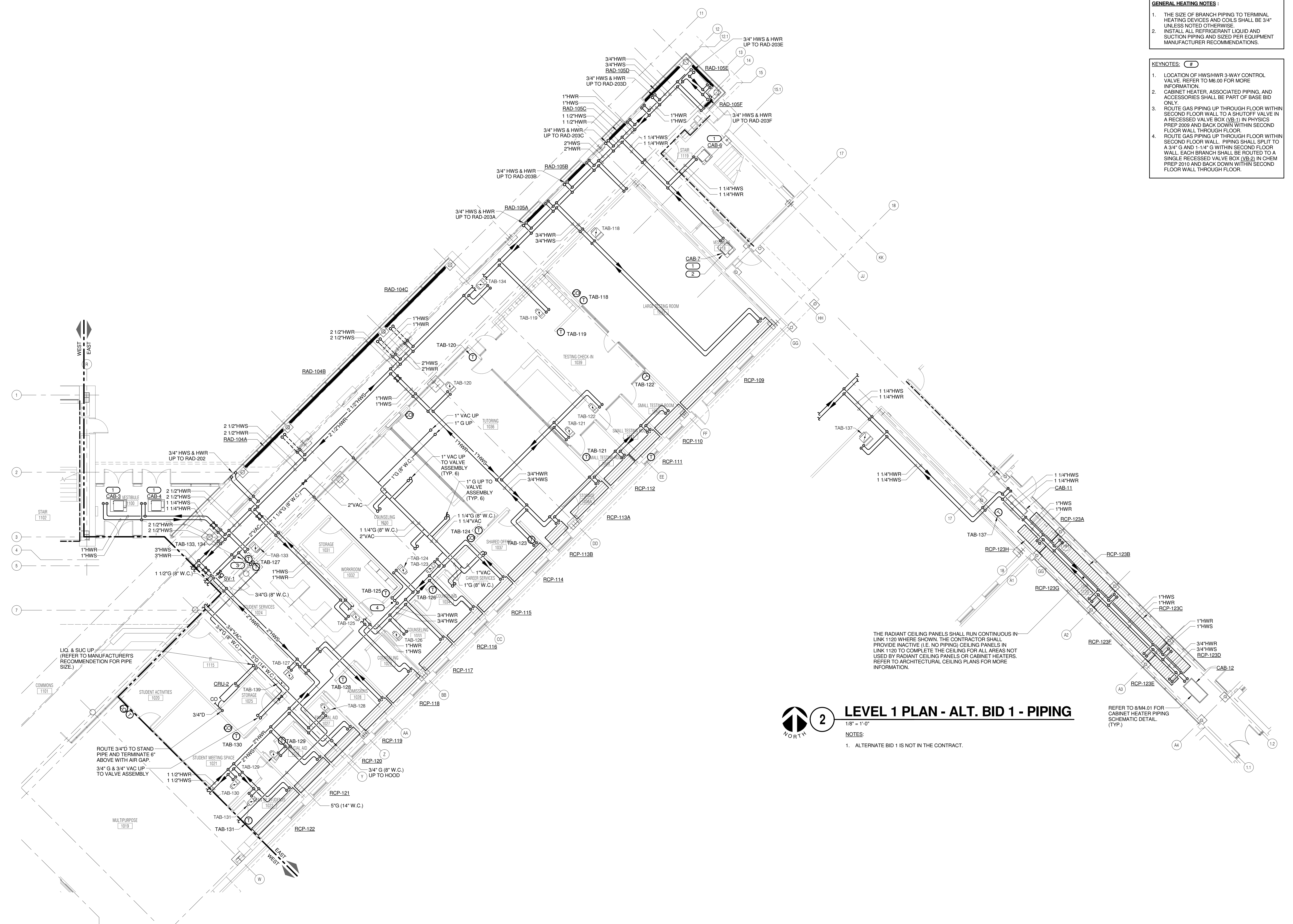
ARCHITECT OF RECORD
DEMONICA KEMPER ARCHITECTS
 125 N. HALSTED STREET, SUITE 301
 CHICAGO, IL 60661
 P: 312.496.0000

STRUCTURAL AND MEP/FP ENGINEERING
KJWW ENGINEERING CONSULTANTS
 1100 WARRENVILLE RD., SUITE 400W
 NAPERVILLE, IL 60563
 P: 630.527.2320

FOOD SERVICE CONSULTANT
CINI LITTLE INTERNATIONAL, INC.
 200 E. HOWARD AVE., SUITE 212
 DES PLAINES, IL 60018
 P: 847.298.0068

JOLIET JUNIOR COLLEGE
ROMEORVILLE CAMPUS EXPANSION
 1125 135th ST. ROMEORVILLE, IL 60446
 DKA PROJECT NO: 14-005

- GENERAL HEATING NOTES :**
1. THE SIZE OF BRANCH PIPING TO TERMINAL HEATING DEVICES AND COILS SHALL BE 3/4" UNLESS NOTED OTHERWISE.
 2. INSTALL ALL REFRIGERANT LIQUID AND SUCTION PIPING AND SIZED PER EQUIPMENT MANUFACTURER RECOMMENDATIONS.
- KEYNOTES: (#)**
1. LOCATION OF HWS/HWR 3-WAY CONTROL VALVE. REFER TO M8.00 FOR MORE INFORMATION.
 2. CABINET HEATER, ASSOCIATED PIPING, AND ACCESSORIES SHALL BE PART OF BASE BID ONLY.
 3. ROUTE GAS PIPING UP THROUGH FLOOR WITHIN SECOND FLOOR WALL TO A SHUTOFF VALVE IN A RECESSED VALVE BOX (VB-1) IN PHYSICS PREP 2009 AND BACK DOWN WITHIN SECOND FLOOR WALL THROUGH FLOOR.
 4. ROUTE GAS PIPING UP THROUGH FLOOR WITHIN SECOND FLOOR WALL. PIPING SHALL SPLIT TO A 3/4" G AND 1-1/4" G WITHIN SECOND FLOOR WALL. EACH BRANCH SHALL BE ROUTED TO A SINGLE RECESSED VALVE BOX (VB-2) IN CHEM PREP 2010 AND BACK DOWN WITHIN SECOND FLOOR WALL THROUGH FLOOR.



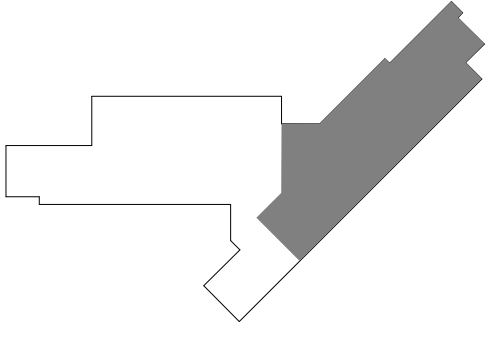
THE RADIANT CEILING PANELS SHALL RUN CONTINUOUS IN-LINK 1120 WHERE SHOWN. THE CONTRACTOR SHALL PROVIDE INACTIVE (I.E. NO PIPING) CEILING PANELS IN LINK 1120 TO COMPLETE THE CEILING FOR ALL AREAS NOT USED BY RADIANT CEILING PANELS OR CABINET HEATERS. REFER TO ARCHITECTURAL CEILING PLANS FOR MORE INFORMATION.

REFER TO 8/M.01 FOR CABINET HEATER PIPING SCHEMATIC DETAIL (TYP.)

2 LEVEL 1 PLAN - ALT. BID 1 - PIPING
 1/8" = 1'-0"
 NOTES:
 1. ALTERNATE BID 1 IS NOT IN THE CONTRACT.

1 LEVEL 1 PLAN - EAST - PIPING
 1/8" = 1'-0"

KEY PLAN:



SHEET STATUS: 9/21/15
ISSUED FOR CONSTRUCTION

NO.	DESCRIPTION:	DATE:

SHEET TITLE:
LEVEL 1 PLAN - EAST - PIPING

KJWW ENGINEERING CONSULTANTS
 1100 WARRENVILLE ROAD, SUITE 400W
 NAPERVILLE, ILLINOIS 60563
 630.527.2320 FAX: 630.527.2321
 WWW.KJWW.COM

PROJECT # 14-005-00

Block Design Firm Registration #14-005-0077

KJWW ENGINEERING RESERVES PROPRIETARY RIGHTS, INCLUDING COPYRIGHTS, TO THIS DRAWING AND THE DATA SHOWN THEREON. SUCH DRAWING AND/OR DATA ARE THE EXCLUSIVE PROPERTY OF KJWW ENGINEERING AND SHALL NOT BE USED OR REPRODUCED FOR ANY OTHER PROJECT WITHOUT THE EXPRESS WRITTEN APPROVAL AND PARTICIPATION OF KJWW ENGINEERING. © 2015 KJWW, P.C.

REFERENCE SCALE IN INCHES
 0 1 2 3

SHEET NUMBER:
M2.12



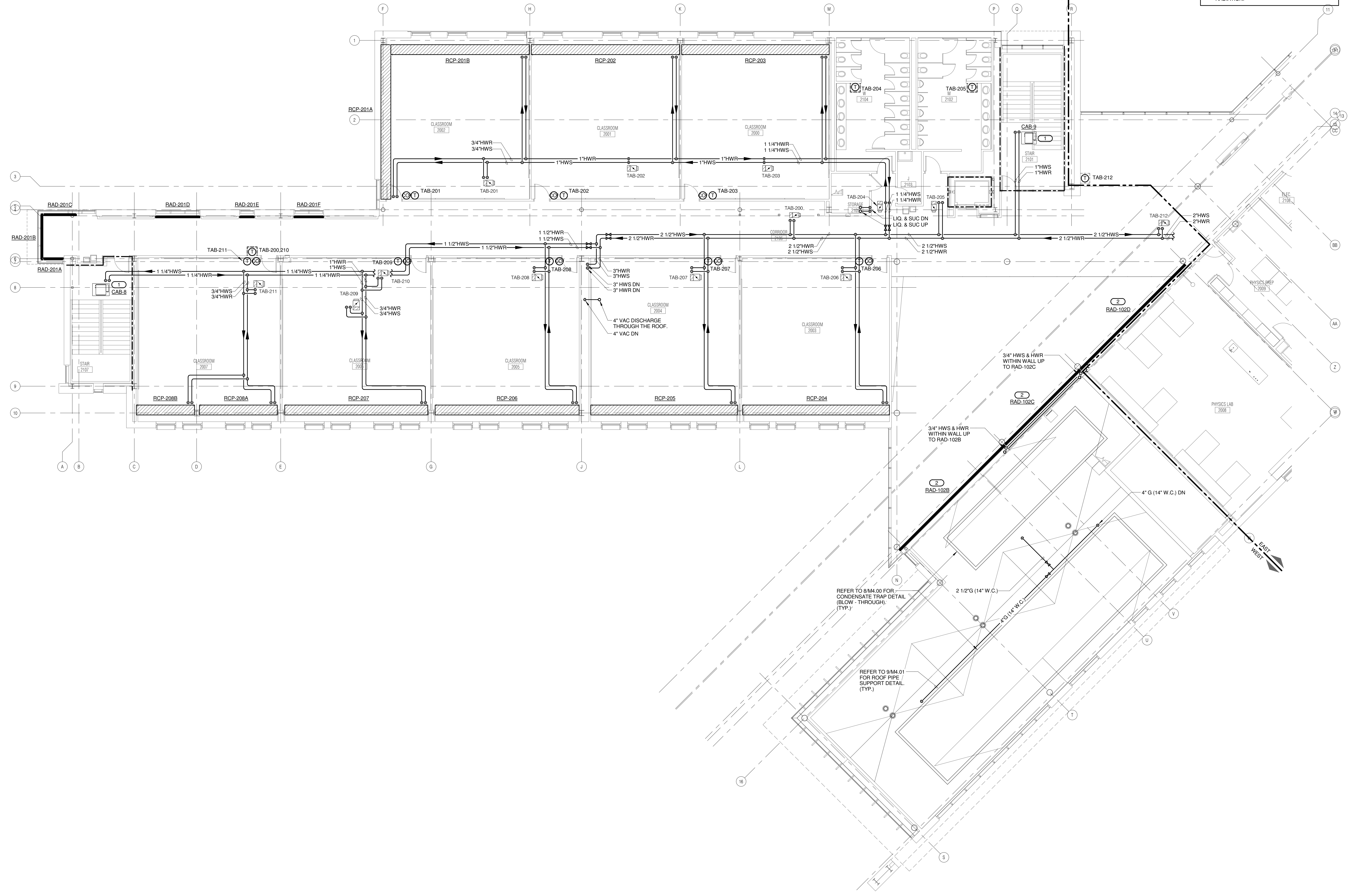
ARCHITECT OF RECORD
DEMONICA KEMPER ARCHITECTS
 125 N. HALSTED STREET, SUITE 301
 CHICAGO, IL 60661
 P: 312.496.0000

STRUCTURAL AND MEP/FP ENGINEERING
KJWW ENGINEERING CONSULTANTS
 1100 WARRENVILLE RD., SUITE 400W
 NAPERVILLE, IL 60563
 P: 630.527.2320

FOOD SERVICE CONSULTANT
CINI LITTLE INTERNATIONAL, INC.
 200 E. HOWARD AVE., SUITE 212
 DES PLAINES, IL 60018
 P: 847.298.0088

JOLIET JUNIOR COLLEGE
ROMEIOVILLE CAMPUS EXPANSION
 1125 135th ST. ROMEIOVILLE, IL 60446
 DKA PROJECT NO: 14-005

- GENERAL HEATING NOTES:**
1. THE SIZE OF BRANCH PIPING TO TERMINAL HEATING DEVICES AND COILS SHALL BE 3/4" UNLESS NOTED OTHERWISE.
 2. INSTALL ALL REFRIGERANT LIQUID AND SUCTION PIPING AND SIZED PER EQUIPMENT MANUFACTURER RECOMMENDATIONS.
- KEYNOTES: #**
1. LOCATION OF HW/SHWR 3-WAY CONTROL VALVE REFER TO M6.00 FOR MORE INFORMATION.
 2. REFER TO ARCHITECTURAL DRAWINGS FOR EXACT LOCATION/ELEVATION OF PANEL RADIATION.



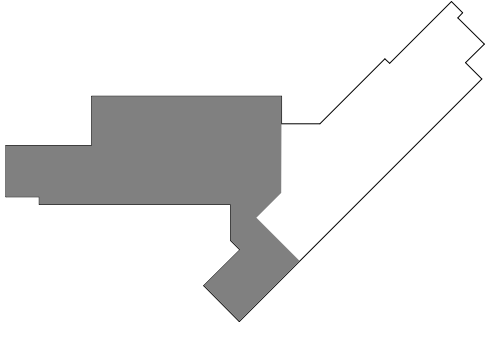
1 LEVEL 2 PLAN - WEST - PIPING
 1/8" = 1'-0"

KJWW ENGINEERING CONSULTANTS
 1100 WARRENVILLE ROAD, SUITE 400W
 NAPERVILLE, ILLINOIS 60563
 630.527.2320 FAX: 630.527.2321
 WWW.KJWW.COM
 PROJECT # 14-005-00
 DESIGN FIRM REGISTRATION #14-005-0073

KJWW ENGINEERING RESERVES PROPRIETARY RIGHTS, INCLUDING COPYRIGHTS, TO THIS DRAWING AND THE DATA SHOWN THEREON. SAID DRAWING AND/OR DATA ARE THE EXCLUSIVE PROPERTY OF KJWW ENGINEERING AND SHALL NOT BE USED OR REPRODUCED FOR ANY OTHER PROJECT WITHOUT THE EXPRESS WRITTEN APPROVAL AND PARTICIPATION OF KJWW ENGINEERING. © 2015 KJWW, P.C.

REFERENCE SCALE IN INCHES

KEY PLAN:



SHEET STATUS: 9/21/15
ISSUED FOR CONSTRUCTION

NO.	DESCRIPTION:	DATE:

SHEET TITLE:
LEVEL 2 PLAN - WEST - PIPING

SHEET NUMBER:
M2.21



ARCHITECT OF RECORD
DEMONICA KEMPER ARCHITECTS
 125 N. HALSTED STREET, SUITE 301
 CHICAGO, IL 60661
 P: 312.496.0000

STRUCTURAL AND MEP/FP ENGINEERING
KJWW ENGINEERING CONSULTANTS
 1100 WARRENVILLE RD., SUITE 400W
 NAPERVILLE, IL 60563
 P: 630.527.2320

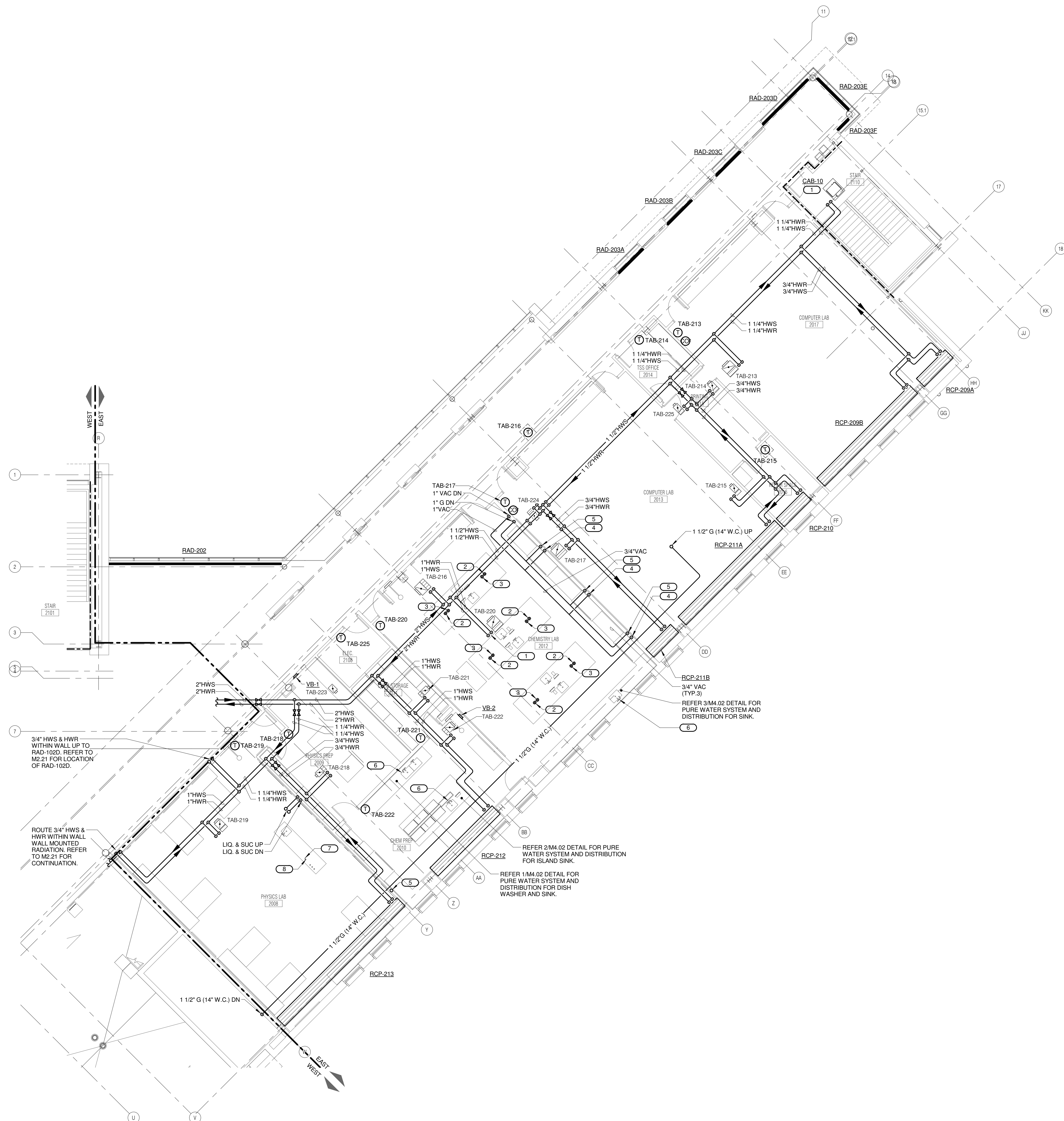
FOOD SERVICE CONSULTANT
CINI LITTLE INTERNATIONAL, INC.
 200 E. HOWARD AVE., SUITE 212
 DES PLAINES, IL 60018
 P: 847.298.0088

GENERAL HEATING NOTES:

1. THE SIZE OF BRANCH PIPING TO TERMINAL HEATING DEVICES AND COILS SHALL BE 3/4" UNLESS NOTED OTHERWISE.
2. INSTALL ALL REFRIGERANT LIQUID AND SUCTION PIPING AND SIZED PER EQUIPMENT MANUFACTURER RECOMMENDATIONS. CONTRACTOR SHALL PROVIDE AND INSTALL ALL PIPING REQUIRED TO CONNECT TO FUME HOOD FIXTURE INLET/OUTLET INCLUDING PIPING WITHIN FUME HOOD.

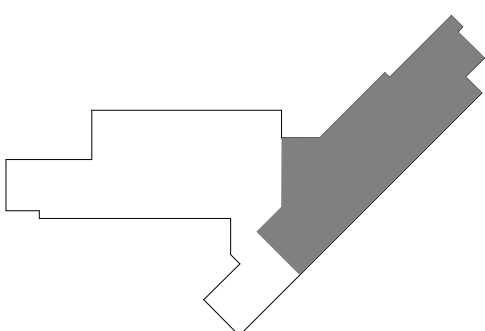
KEYNOTES: (#)

1. LOCATION OF HWS/HWR 3-WAY CONTROL VALVE. REFER TO M6.00 FOR MORE INFORMATION.
2. ROUTE 1" VAC PIPING AND MAKE FINAL CONNECTION TO VACUUM INLET FIXTURE (PROVIDED AND INSTALLED BY OTHERS).
3. ROUTE 1" G PIPING AND MAKE FINAL CONNECTION TO GAS OUTLET FIXTURE (PROVIDED AND INSTALLED BY OTHERS).
4. ROUTE 3/4" VAC PIPING AND MAKE FINAL CONNECTION TO FUME HOOD (PROVIDED AND INSTALLED BY OTHERS).
5. ROUTE 3/4" G PIPING AND MAKE FINAL CONNECTION TO FUME HOOD (PROVIDED AND INSTALLED BY OTHERS).
6. CONTRACTOR SHALL PROVIDE FINAL CONNECTION TO PURE WATER OUTLET. REFER TO ARCHITECTURAL PLANS FOR MORE INFORMATION.
7. ROUTE 3/4" VAC PIPING AND MAKE FINAL CONNECTION TO VACUUM INLET FIXTURE (PROVIDED AND INSTALLED BY OTHERS).
8. ROUTE 3/4" G PIPING AND MAKE FINAL CONNECTION TO GAS OUTLET FIXTURE (PROVIDED AND INSTALLED BY OTHERS).



JOLIET JUNIOR COLLEGE
ROMEOWILLE CAMPUS EXPANSION
 1125 135th ST. ROMEOWILLE, IL 60446
 DKA PROJECT NO: 14-005

KEY PLAN:

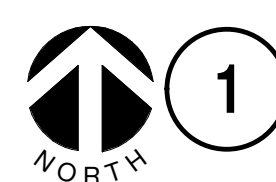


SHEET STATUS: 9/21/15
ISSUED FOR CONSTRUCTION

NO.	DESCRIPTION:	DATE:

SHEET TITLE:
LEVEL 2 PLAN - EAST - PIPING

SHEET NUMBER:
M2.22



LEVEL 2 PLAN - EAST - PIPING

1/8" = 1'-0"

KJWW ENGINEERING CONSULTANTS
 1100 WARRENVILLE ROAD, SUITE 400W
 NAPERVILLE, IL 60563
 630.527.2320 FAX: 630.527.2321
 WWW.KJWW.COM

THE REGISTERED PROFESSIONAL ENGINEER
 PROJECT # 14-005-00
 Illinois Design Firm Registration #18-00077

KJWW ENGINEERING RESERVES PROPRIETARY RIGHTS, INCLUDING COPYRIGHTS, TO THIS DRAWING AND THE DATA SHOWN THEREON. SUCH DRAWING AND/OR DATA ARE THE EXCLUSIVE PROPERTY OF KJWW ENGINEERING AND SHALL NOT BE USED OR REPRODUCED FOR ANY OTHER PROJECT WITHOUT THE EXPRESS WRITTEN APPROVAL AND PARTICIPATION OF KJWW ENGINEERING. © 2015 KJWW, P.C.

REFERENCE SCALE IN INCHES
 0 1 2 3



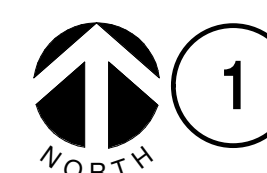
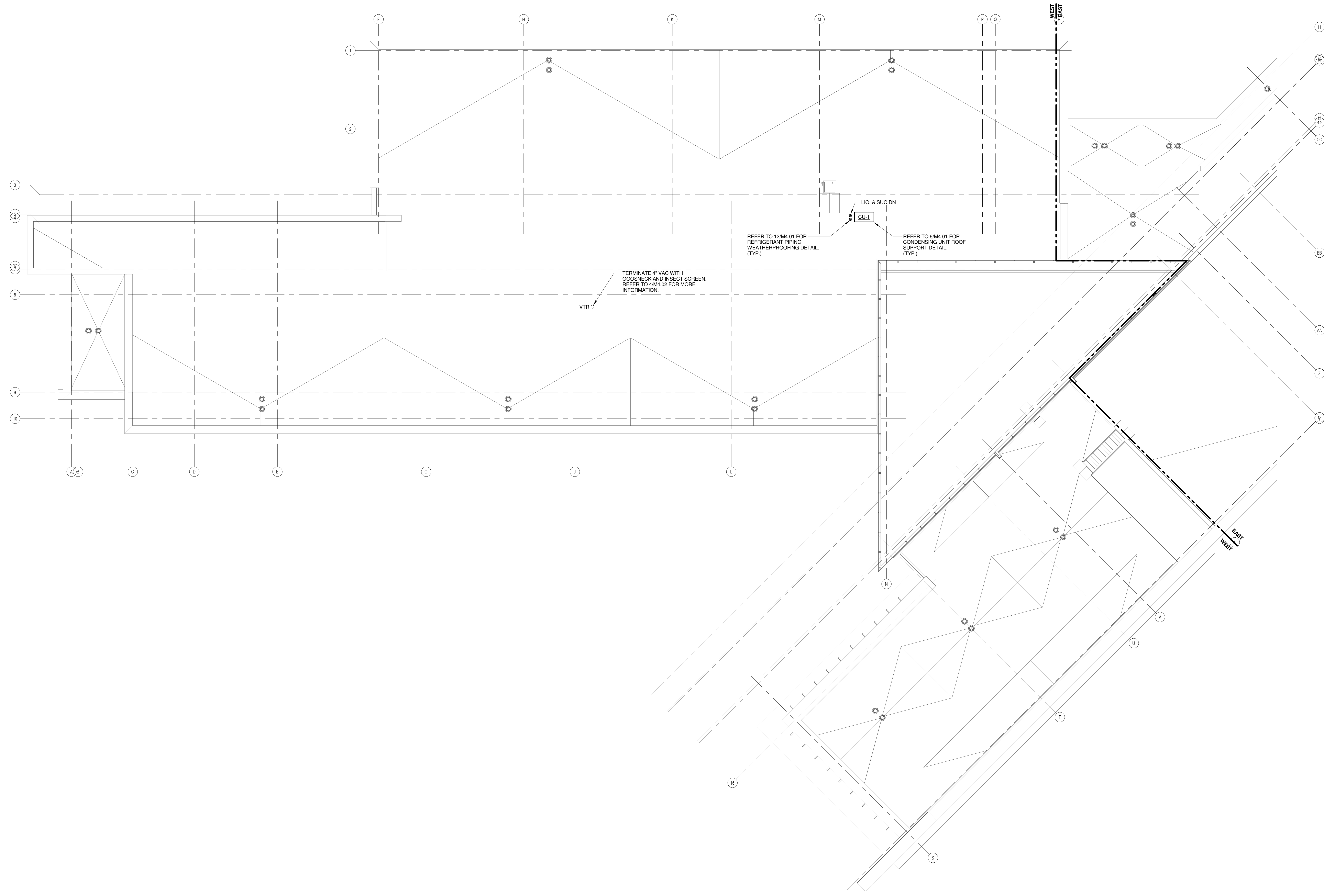
ARCHITECT OF RECORD
DEMONICA KEMPER ARCHITECTS
 125 N. HALSTED STREET, SUITE 301
 CHICAGO, IL 60661
 P: 312.496.0000

STRUCTURAL AND MEP/FP ENGINEERING
KJWW ENGINEERING CONSULTANTS
 1100 WARRENVILLE RD., SUITE 400W
 NAPERVILLE, IL 60563
 P: 630.527.2320

FOOD SERVICE CONSULTANT
CINI LITTLE INTERNATIONAL, INC.
 200 E. HOWARD AVE., SUITE 212
 DES PLAINES, IL 60018
 P: 847.298.0088

**JOLIET JUNIOR COLLEGE
 ROMEVILLE CAMPUS EXPANSION**
 1125 135th ST. ROMEVILLE, IL 60446
 DKA PROJECT NO: 14-005

GENERAL HEATING NOTES:
 1. INSTALL ALL REFRIGERANT LIQUID AND SUCTION
 PIPING AND SIZED PER EQUIPMENT
 MANUFACTURER RECOMMENDATIONS.



1 ROOF PLAN - WEST - PIPING

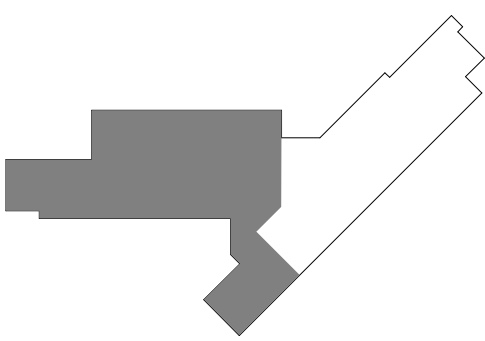
1/8" = 1'-0"

KJWW ENGINEERING CONSULTANTS
 1100 WARRENVILLE ROAD, SUITE 400W
 NAPERVILLE, IL 60563
 630.527.2320 FAX: 630.527.2321
 WWW.KJWW.COM
 PROJECT # 14-005-00
 DESIGN FIRM REGISTRATION #14-005-00

KJWW ENGINEERING RESERVES PROPRIETARY RIGHTS, INCLUDING COPYRIGHTS, TO THIS DRAWING AND THE DATA SHOWN THEREON. SAID DRAWING AND/OR DATA ARE THE EXCLUSIVE PROPERTY OF KJWW ENGINEERING AND SHALL NOT BE USED OR REPRODUCED FOR ANY OTHER PROJECT WITHOUT THE EXPRESS WRITTEN APPROVAL AND PARTICIPATION OF KJWW ENGINEERING. © 2015 KJWW, P.C.

REFERENCE SCALE IN INCHES
 0 1 2 3

KEY PLAN:



SHEET STATUS: 9/21/15
**ISSUED FOR
 CONSTRUCTION**

NO.	DESCRIPTION:	DATE:

SHEET TITLE:
**ROOF PLAN - WEST -
 PIPING**

SHEET NUMBER:
M2.31

GENERAL HEATING NOTES:
 1. INSTALL ALL REFRIGERANT LIQUID AND SUCTION PIPING AND SIZED PER EQUIPMENT MANUFACTURER RECOMMENDATIONS.



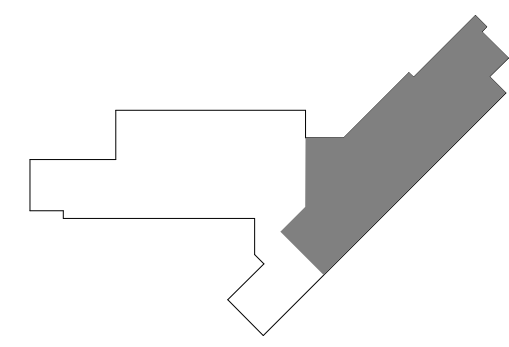
ARCHITECT OF RECORD
DEMONICA KEMPER ARCHITECTS
 125 N. HALSTED STREET, SUITE 301
 CHICAGO, IL 60661
 P: 312.496.0000

STRUCTURAL AND MEP/FP ENGINEERING
KJWW ENGINEERING CONSULTANTS
 1100 WARRENVILLE RD., SUITE 400W
 NAPERVILLE, IL 60563
 P: 630.527.2320

FOOD SERVICE CONSULTANT
CINI LITTLE INTERNATIONAL, INC.
 200 E. HOWARD AVE., SUITE 212
 DES PLAINES, IL 60018
 P: 847.298.0088

**JOLIET JUNIOR COLLEGE
 ROMEOVILLE CAMPUS EXPANSION**
 1125 135th ST. ROMEOVILLE, IL 60446
 DKA PROJECT NO: 14-005

KEY PLAN:



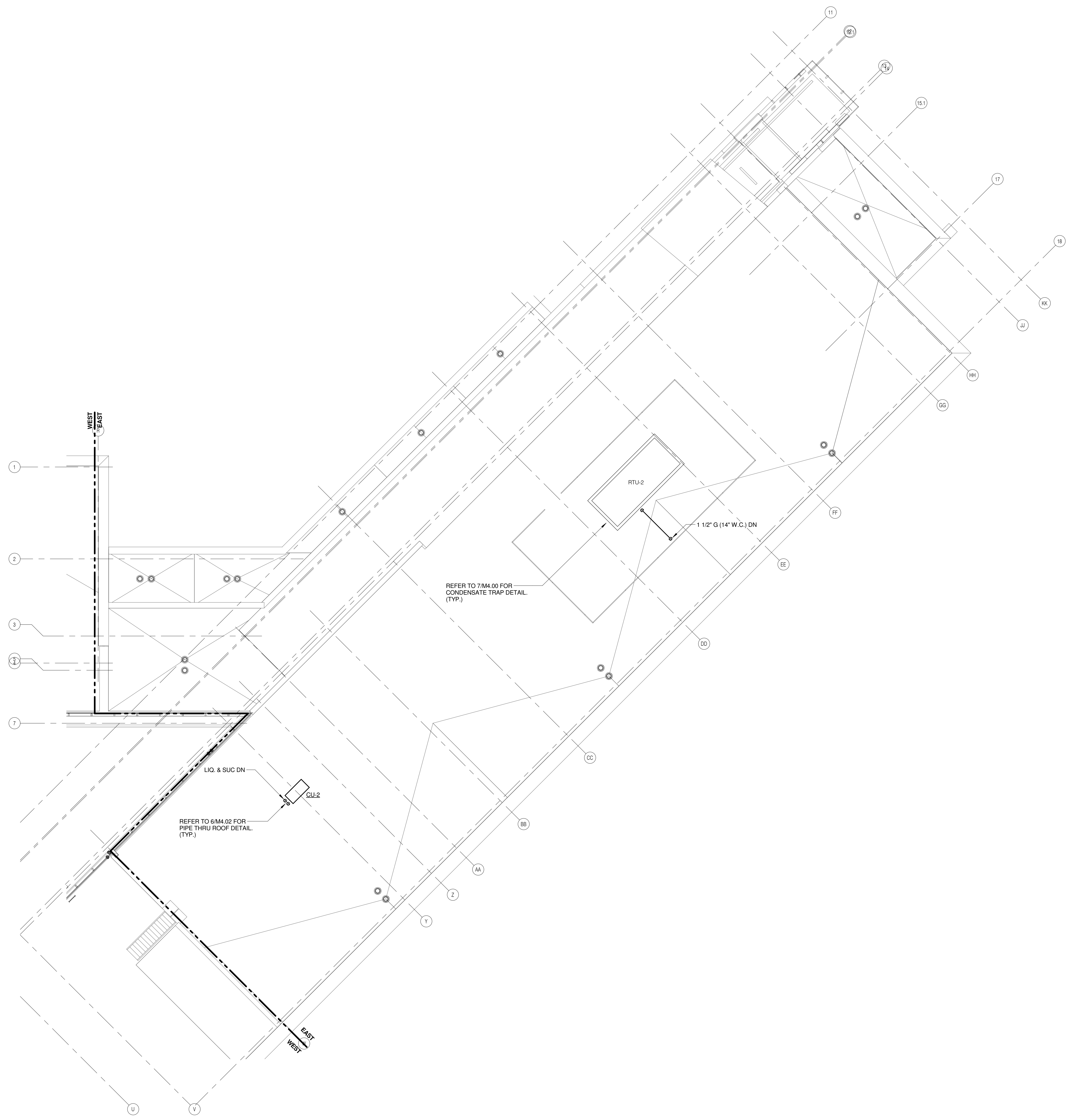
SHEET STATUS: 9/21/15
**ISSUED FOR
 CONSTRUCTION**

NO.	DESCRIPTION:	DATE:

SHEET TITLE:
**ROOF PLAN - EAST -
 PIPING**

SHEET NUMBER:

M2.32



1

ROOF PLAN - EAST - PIPING

1/8" = 1'-0"

KJWW ENGINEERING CONSULTANTS
 1100 WARRENVILLE ROAD, SUITE 400W
 NAPERVILLE, IL 60563
 630.527.2320 FAX: 630.527.2321
 WWW.KJWW.COM
 PROJECT # 14-005-00
 DESIGN FIRM REGISTRATION #14-005-0073

KJWW ENGINEERING RESERVES PROPRIETARY RIGHTS, INCLUDING COPYRIGHTS, TO THIS DRAWING AND THE DATA SHOWN THEREON. SAID DRAWING AND/OR DATA ARE THE EXCLUSIVE PROPERTY OF KJWW ENGINEERING AND SHALL NOT BE USED OR REPRODUCED FOR ANY OTHER PROJECT WITHOUT THE EXPRESS WRITTEN APPROVAL AND PARTICIPATION OF KJWW ENGINEERING. © 2015 KJWW, P.C.

REFERENCE SCALE IN INCHES
 0 1 2 3

KEYNOTES: **#**

1. LOCATION OF HWS/HWR 3-WAY CONTROL VALVE. REFER TO 1142.00 FOR MORE INFORMATION.
2. ROUTE RELIEF VENT FROM GAS REGULATOR TO THE ROOF PER MANUFACTURER'S RECOMMENDATIONS.



ARCHITECT OF RECORD
DEMONICA KEMPER ARCHITECTS
 125 N. HALSTED STREET, SUITE 301
 CHICAGO, IL 60661
 P: 312.496.0000

STRUCTURAL AND MEP/FP ENGINEERING
KJWW ENGINEERING CONSULTANTS
 1100 WARRENVILLE RD., SUITE 400W
 NAPERVILLE, IL 60563
 P: 630.527.2320

FOOD SERVICE CONSULTANT
CINI LITTLE INTERNATIONAL, INC.
 200 E. HOWARD AVE., SUITE 212
 DES PLAINES, IL 60018
 P: 847.298.0088

JOLIET JUNIOR COLLEGE
ROMEOWILLE CAMPUS EXPANSION
 1125 135th ST. ROMEOWILLE, IL 60446
 DKA PROJECT NO: 14-005

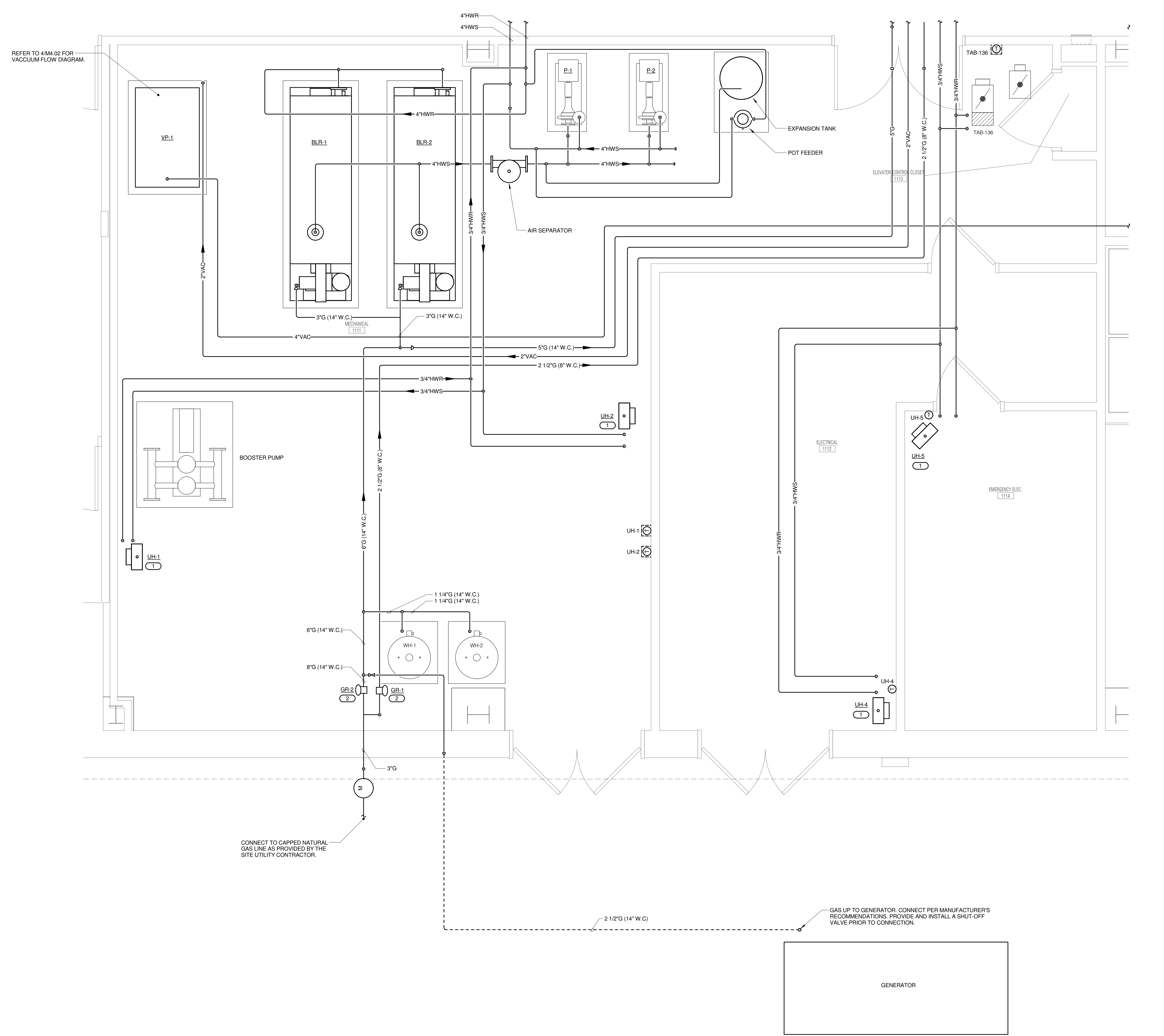
KEY PLAN:

SHEET STATUS: 9/21/15
ISSUED FOR CONSTRUCTION

NO.	DESCRIPTION:	DATE:

SHEET TITLE:
ENLARGED PLANS
MECHANICAL

SHEET NUMBER:
M3.00



REFER TO 4-M4.02 FOR VACUUM FLOW DIAGRAM.

CONNECT TO CAPPED NATURAL GAS LINE AS PROVIDED BY THE SITE UTILITY CONTRACTOR.

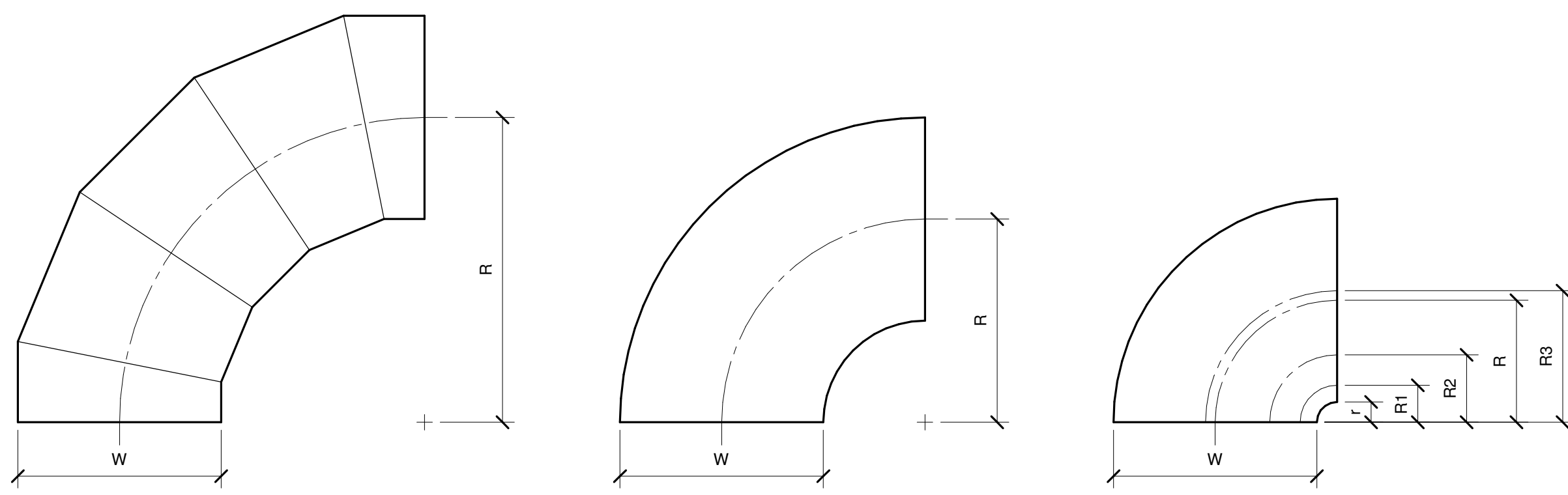
GAS UP TO GENERATOR. CONNECT PER MANUFACTURER'S RECOMMENDATIONS. PROVIDE AND INSTALL A SHUT-OFF VALVE PRIOR TO CONNECTION.

1 ENLARGED MECHANICAL PLAN - MECHANICAL ROOM
 1/2" = 1'-0"

KJWW ENGINEERING CONSULTANTS
 1100 WARRENVILLE ROAD, SUITE 400W
 NAPERVILLE, IL 60563
 630.527.2320 FAX: 630.527.2321
 WWW.KJWW.COM
 PROJECT # 14-005.00
 DESIGN: [Signature]
 CHECK: [Signature]
 DATE: 9/21/15

REFERENCE SCALE IN INCHES
 0 1 2 3

NO.	DESCRIPTION:	DATE:

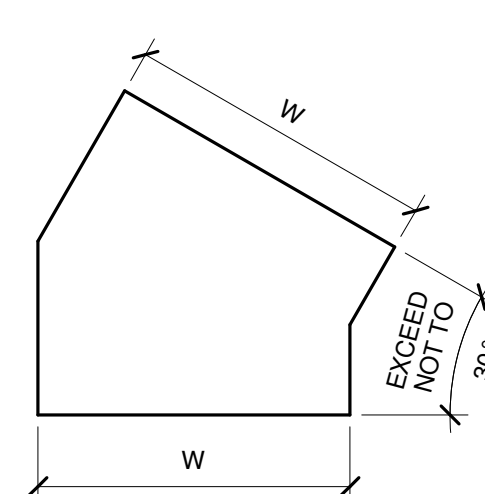


OVAL / ROUND RADIUS ELBOW
 SMOOTH OR 3/8 CORE (MINIMUM)
 R/W = 1.5 (MINIMUM)

RECTANGULAR RADIUS ELBOW
 TYPE RE1
 R/W = 1.0 (MINIMUM)
 R/W < 1.0 SHALL BE TYPE RE3

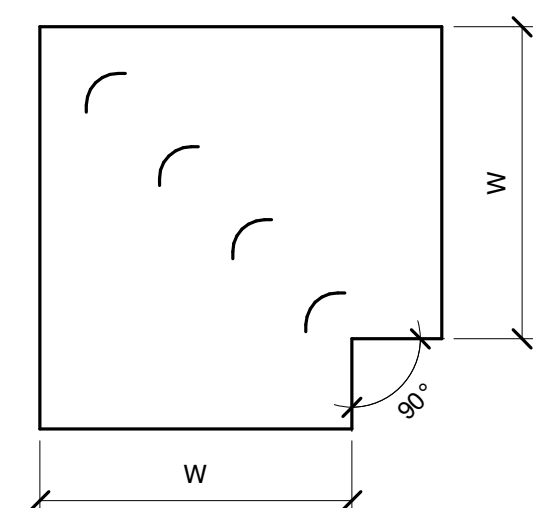
RECTANGULAR RADIUS ELBOW WITH VANES
 TYPE RE3

REFER TO SMACNA HVAC SYSTEMS DUCT DESIGN MANUAL, FOURTH EDITION, SECTION 5.14 "SPLITTER VANES" AND SMACNA HVAC DUCT CONSTRUCTION STANDARDS, THIRD EDITION, FIGURES 4-2 AND 4-9 AND CHARTS 4-1 AND 4-1M. ELBOW SHALL HAVE THREE SPLITTER VANES AND $R/W \geq 0.10$ ($R/W = 0.60$) UNLESS NOTED OTHERWISE.

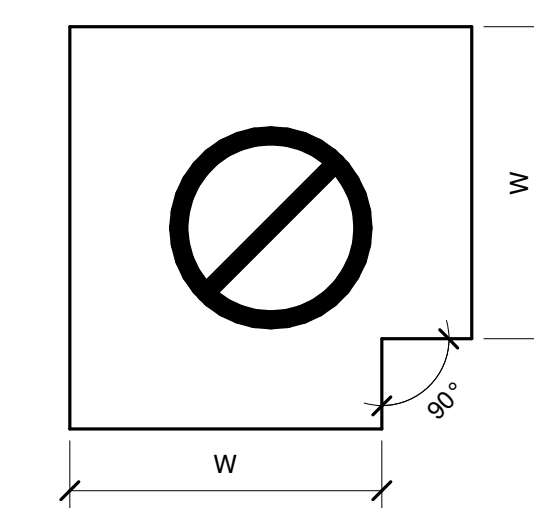


RECTANGULAR MITERED ELBOW
 TYPE RE6

USE ONLY AS PART OF OFFSETS AND TRANSITIONS PER FIGURE 4-7 TYPE 2 OR AS SHOWN ON DRAWINGS. OFFSETS ABOVE 30" SHALL BE TYPE RE1.

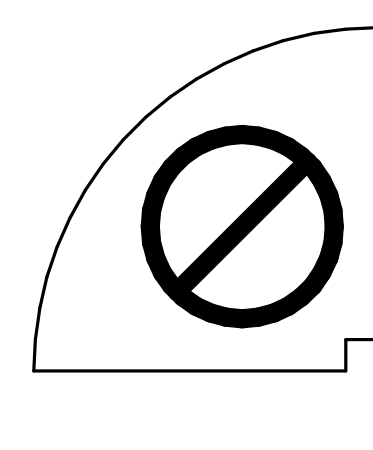


RECTANGULAR MITERED ELBOW WITH VANES
 TYPE RE2



RECTANGULAR / OVAL / ROUND MITERED ELBOW WITHOUT VANES
 TYPE RE4

NOT ALLOWED



RECTANGULAR RADIUS ELBOW WITH SQUARE THROAT
 TYPE RE4

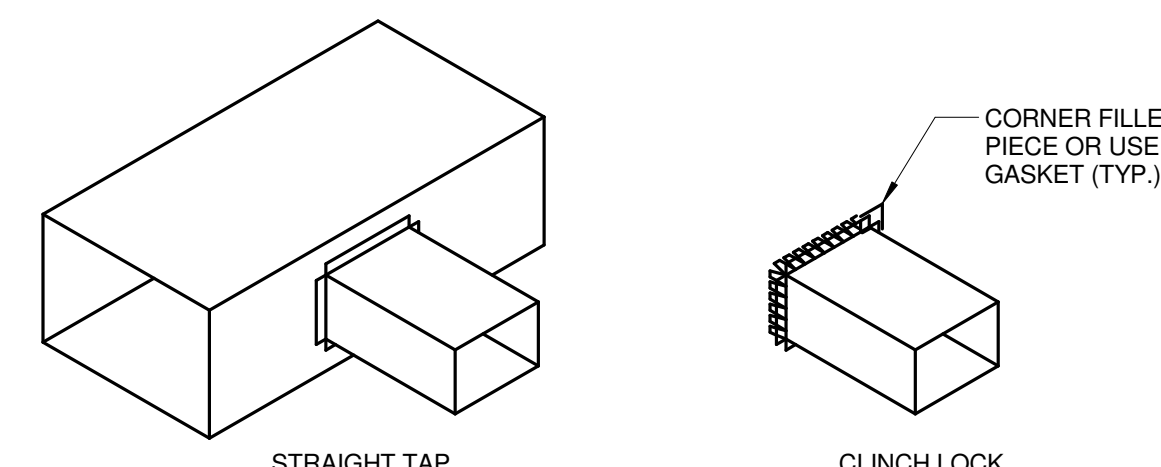
NOT ALLOWED

1 ELBOW CONSTRUCTION

NO SCALE

NOTES:

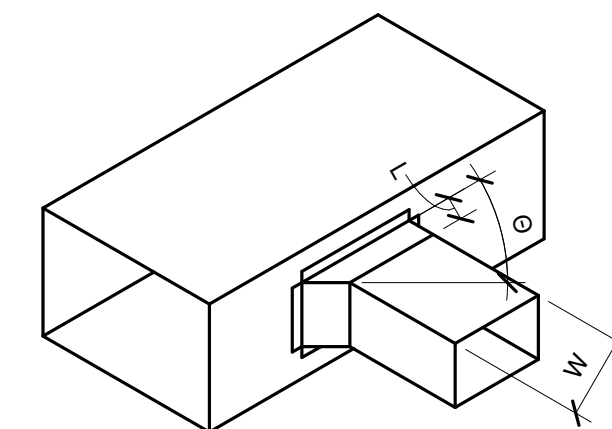
1. BEAD, CROSSBREAK, AND REINFORCE FLAT SURFACES AS IN STRAIGHT DUCT.
2. REFER TO SPECIFICATIONS FOR ADDITIONAL INFORMATION.
3. DEFAULT ELBOW SHALL BE TYPE "RE1".
4. ELBOW TYPES SHALL BE INSTALLED AS SHOWN AND NOT BE SUBSTITUTED WITHOUT PERMISSION. EXCEPTION: RE1 OR RE3 MAY BE SUBSTITUTED FOR RE2.



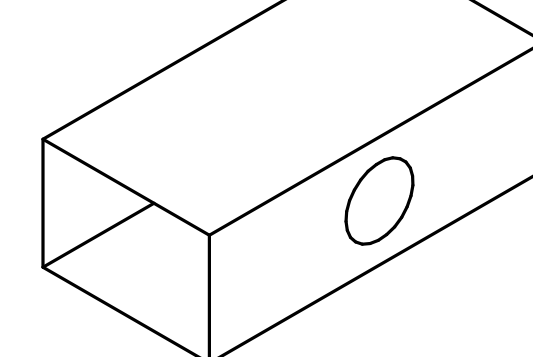
STRAIGHT TAP BUTT FLANGE

CLINCH LOCK

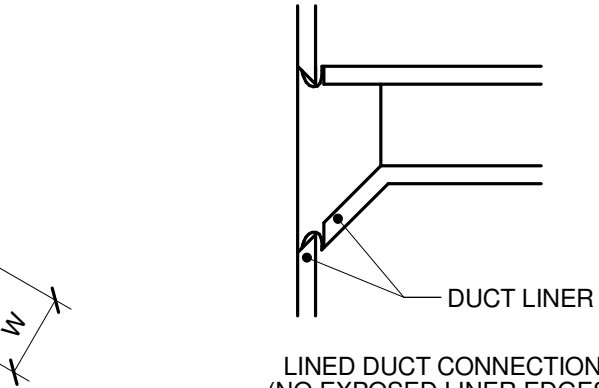
NOTE STRAIGHT TAP WITH BUTT FLANGE FOR BRANCH AND TEE CONNECTION IN RECTANGULAR DUCTS UNDER 1" PRESSURE CLASS ONLY.



45 DEGREE ENTRY @ 45°
 (L = 4" OR W/4; WHICHEVER IS LARGER)



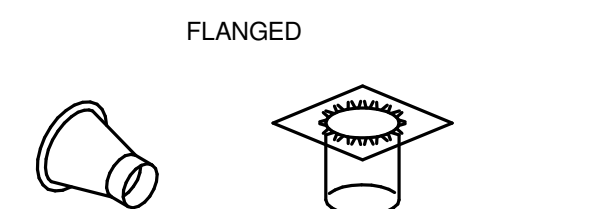
45 DEGREE ENTRY @ 45°



LINED DUCT CONNECTION (NO EXPOSED LINER EDGES)



45 DEGREE LEAD IN



CONICAL

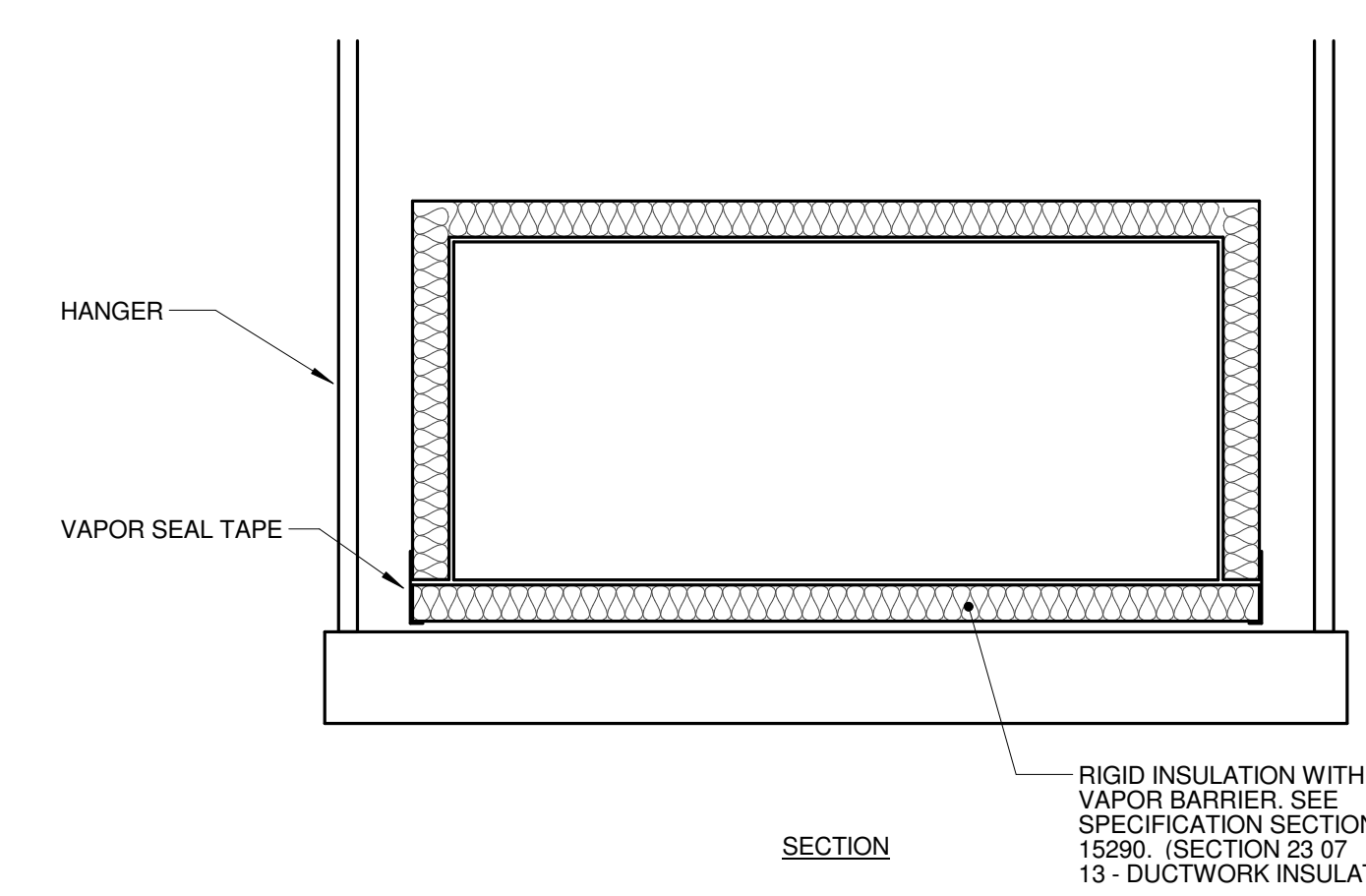
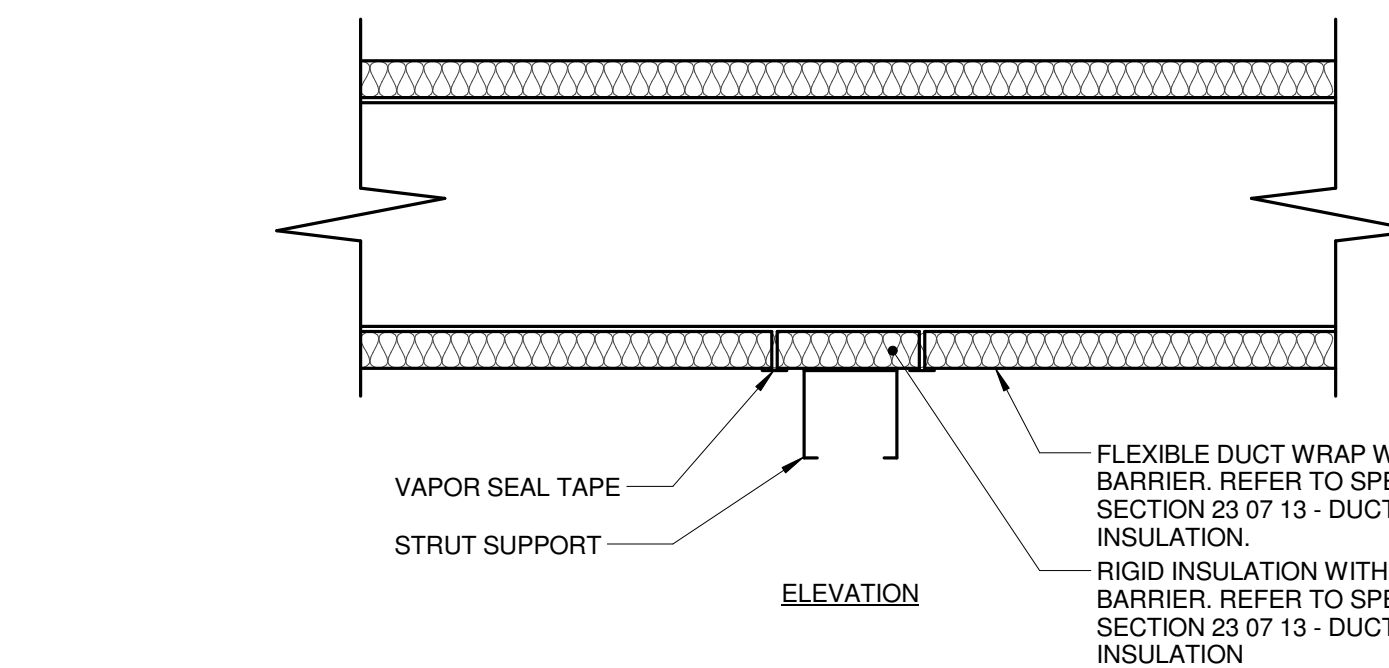
DOVETAIL JOINT

2 BRANCH CONNECTIONS

NO SCALE

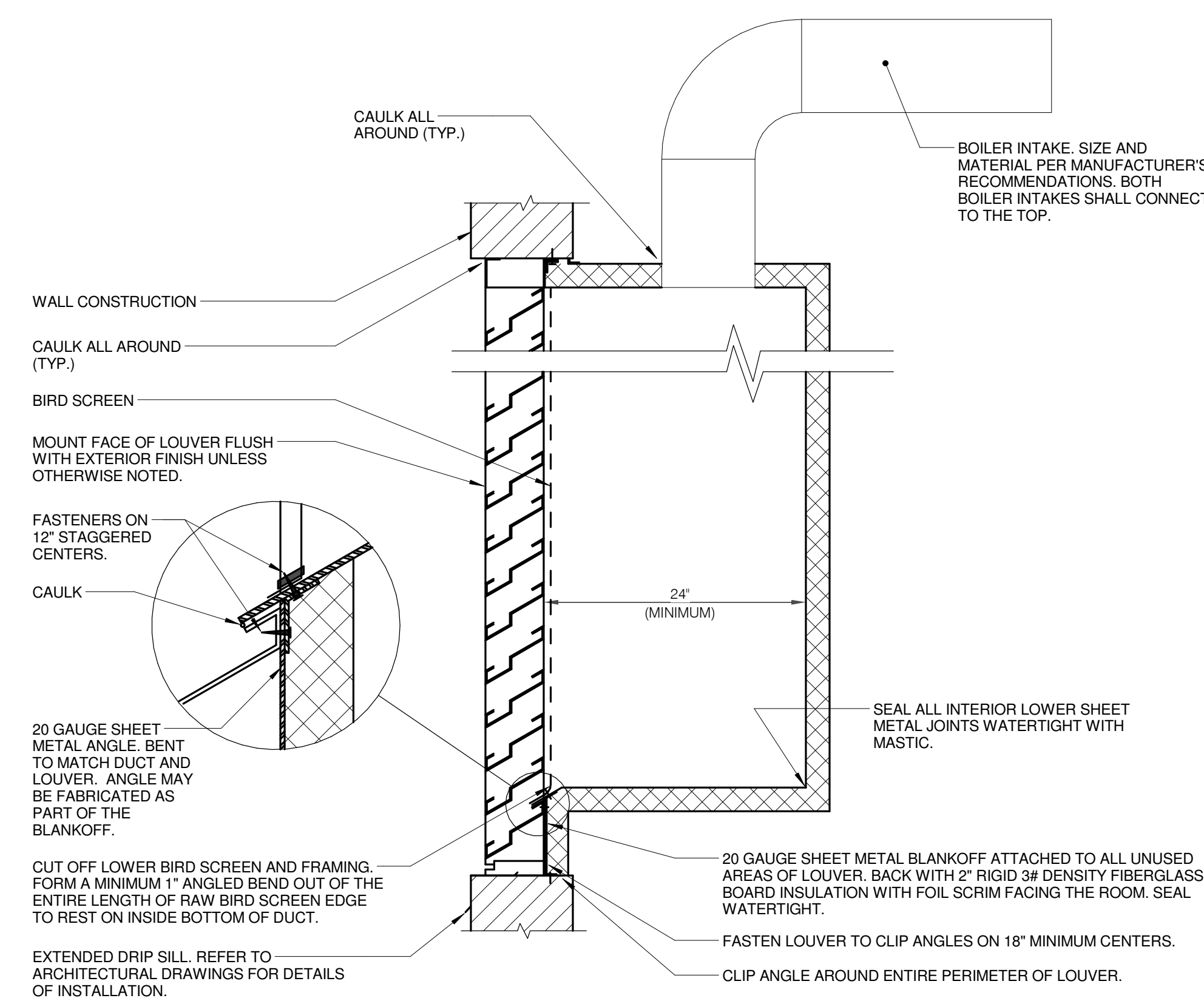
NOTES:

1. DO NOT USE CONNECTIONS WITH SCOOPS.
2. FIT ALL CONNECTIONS TO AVOID VISIBLE OPENINGS AND SECURE THEM SUITABLY FOR THE PRESSURE CLASS.
3. ADDITIONAL MECHANICAL FASTENERS ARE REQUIRED FOR 4"W.G. AND OVER.
4. REFER TO SPECIFICATIONS FOR ADDITIONAL INFORMATION.



3 TRAPEZE HANGER DUCT WRAP VAPOR SEAL

NO SCALE

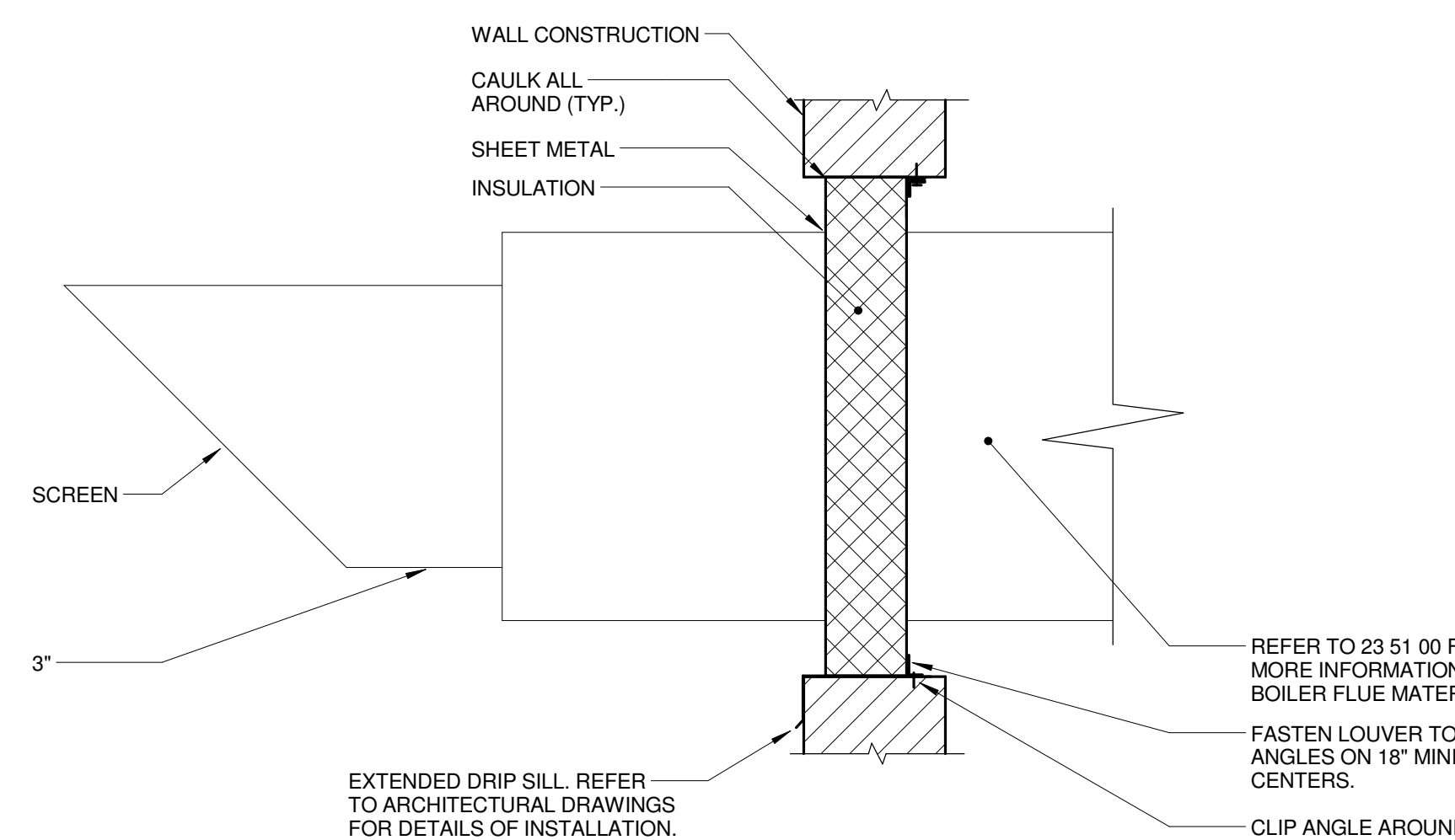


4 BOILER INTAKE LOUVER INSTALLATION DETAIL

NO SCALE

NOTES:

1. CAULK SHEETMETAL SCREWS WHERE THEY PENETRATE METAL.
2. REFER TO THE ARCHITECTURAL PLANS FOR MORE INFORMATION ON THE LOCATION.

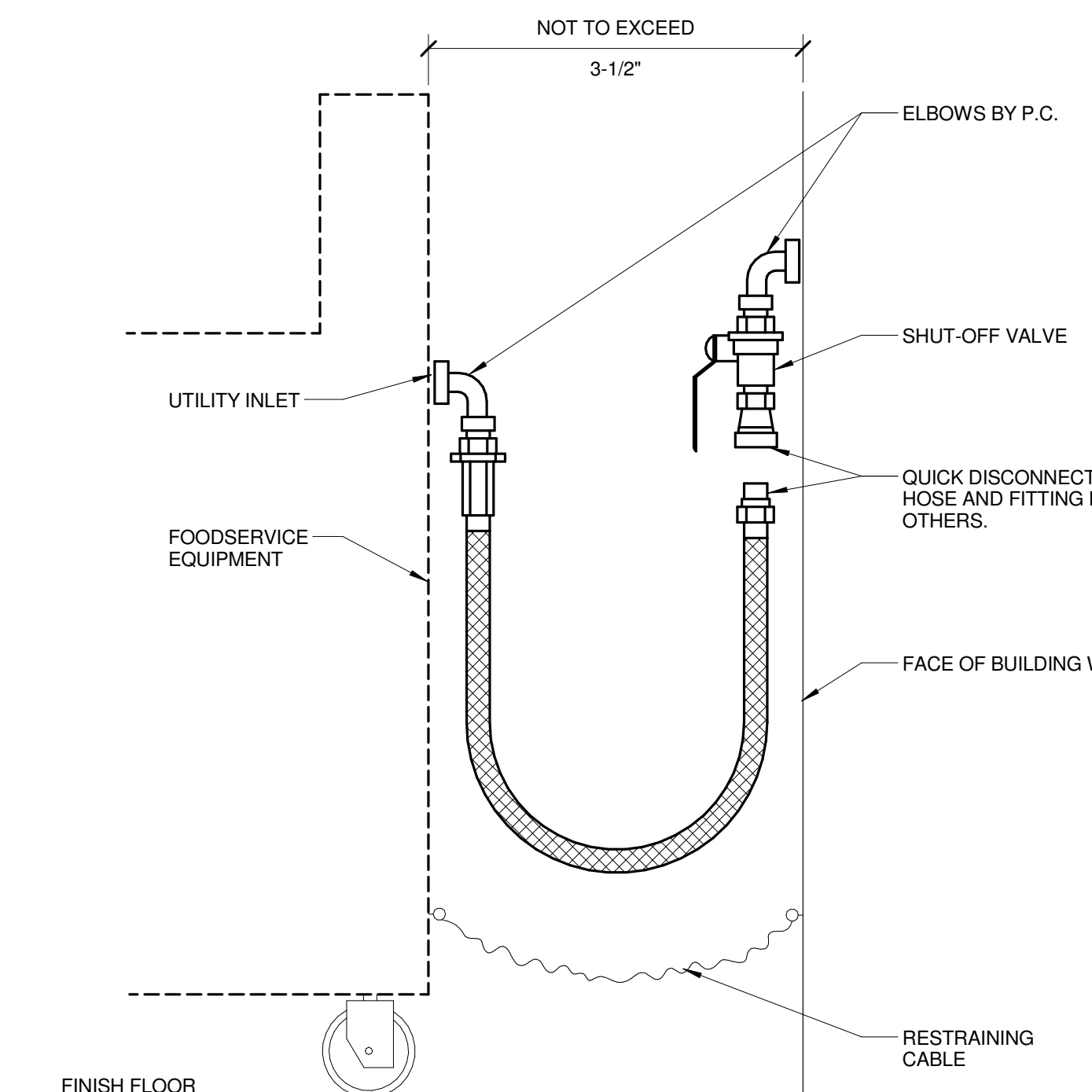


5 FLUE INSTALLATION DETAIL

NO SCALE

NOTES:

1. CAULK SHEETMETAL SCREWS WHERE THEY PENETRATE METAL.
2. EXTERIOR SHEET METAL SHALL MATCH THE FLUE MATERIAL. PLACE 2" RIGID 3# DENSITY FIBERGLASS BOARD INSULATION WITH FOIL SCRIM FACING THE ROOM.
3. ROUTE AND SIZE PER MANUFACTURER'S RECOMMENDATIONS.
4. FLUES SHALL BE INSTALLED SIDE-BY-SIDE. THERE SHALL BE 6" IN BETWEEN THE FLUES AND A MINIMUM OF 4" FROM EACH FLUE TO THE ADJACENT EDGE. THERE SHALL BE A MINIMUM OF 1" BETWEEN THE EACH FLUE AND THE TOP AND BOTTOM EDGE. INSTALL THE FLUES SO THEY ARE CENTERED IN THE OPENING. REFER TO THE ARCHITECTURAL PLANS FOR MORE INFORMATION ON LOCATION.

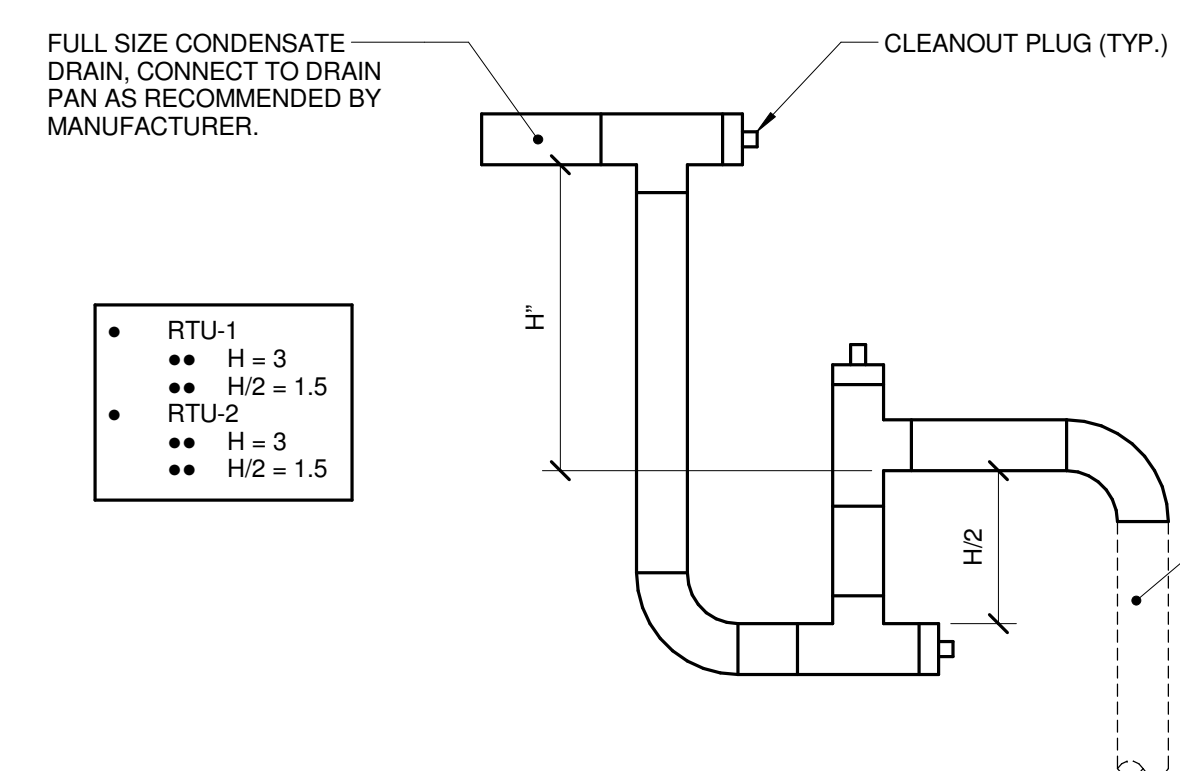


6 GAS APPLIANCE CONNECTION DETAIL

NO SCALE

NOTES:

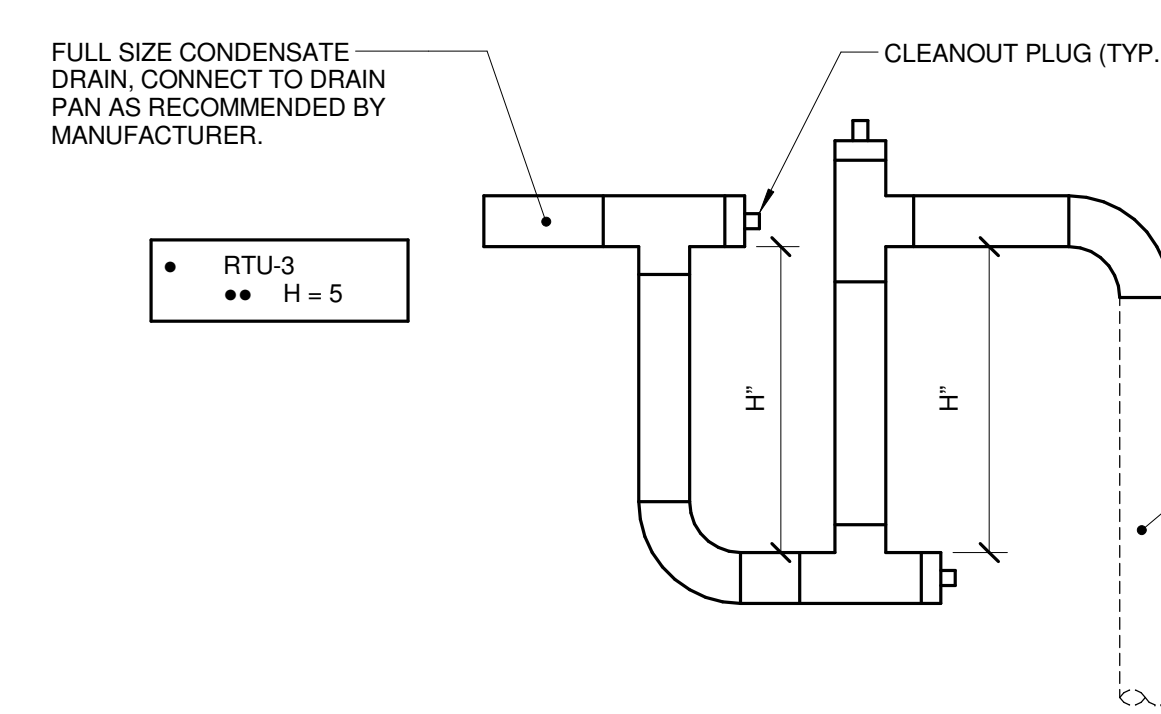
1. VERIFY UTILITY INLET LOCATION ON KITCHEN APPLIANCE AND EXTEND PIPING AS REQUIRED TO ABOVE CONFIGURATION.
2. INSTALL GAS PRESSURE REGULATOR (PROVIDE BY OTHERS) DOWNSTREAM OF SHUT-OFF VALVE IF REQUIRED BY MANUFACTURER. PIPE GAS VENTS TO EXTERIOR.



- RTU-1
 •• H2 = 1.5
 •• H3 = 3
 •• H4 = 3
 •• H2 = 1.5

7 CONDENSATE TRAP DETAIL (DRAW-THROUGH)

NO SCALE

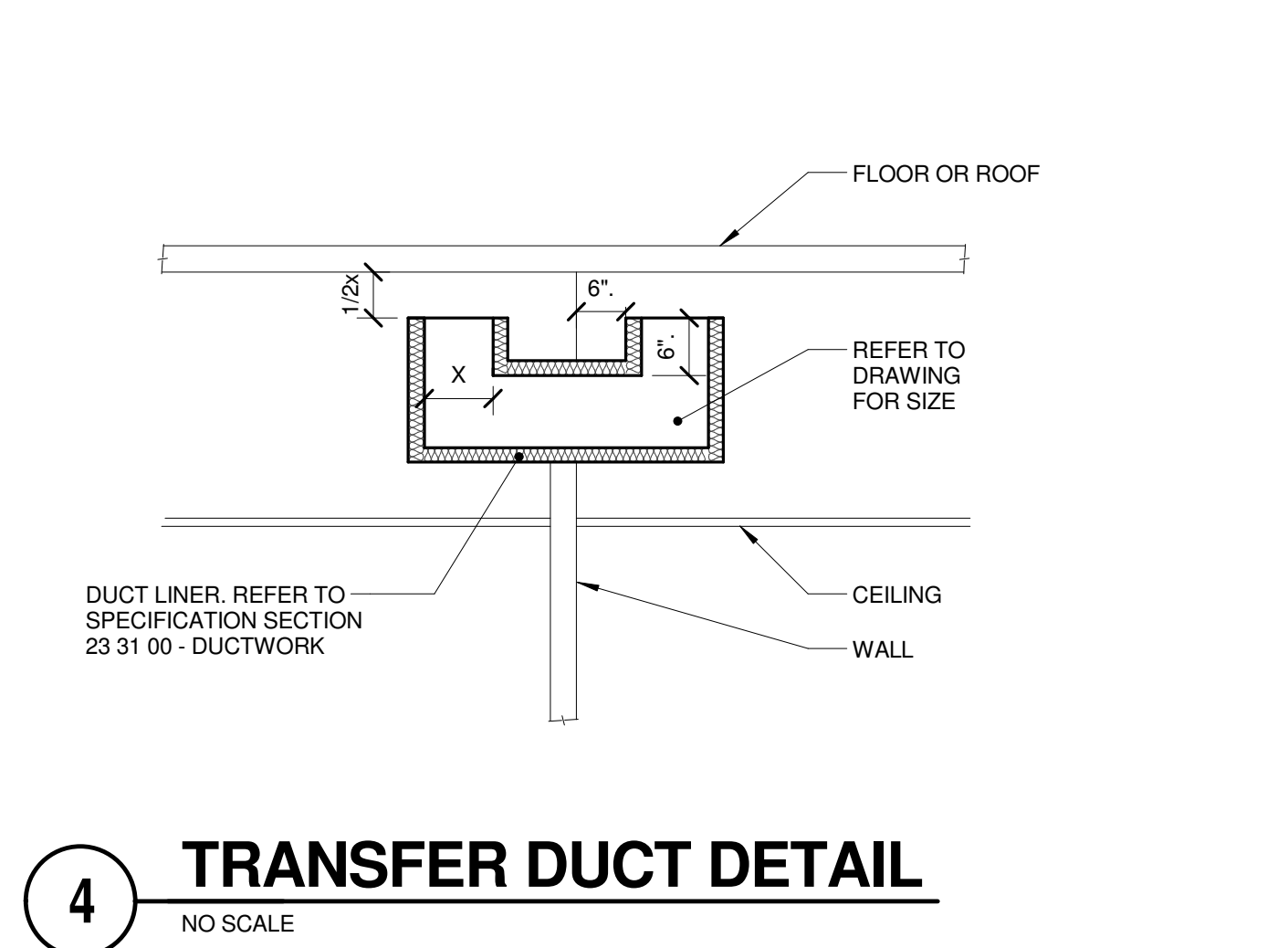


- RTU-3
 •• H = 5

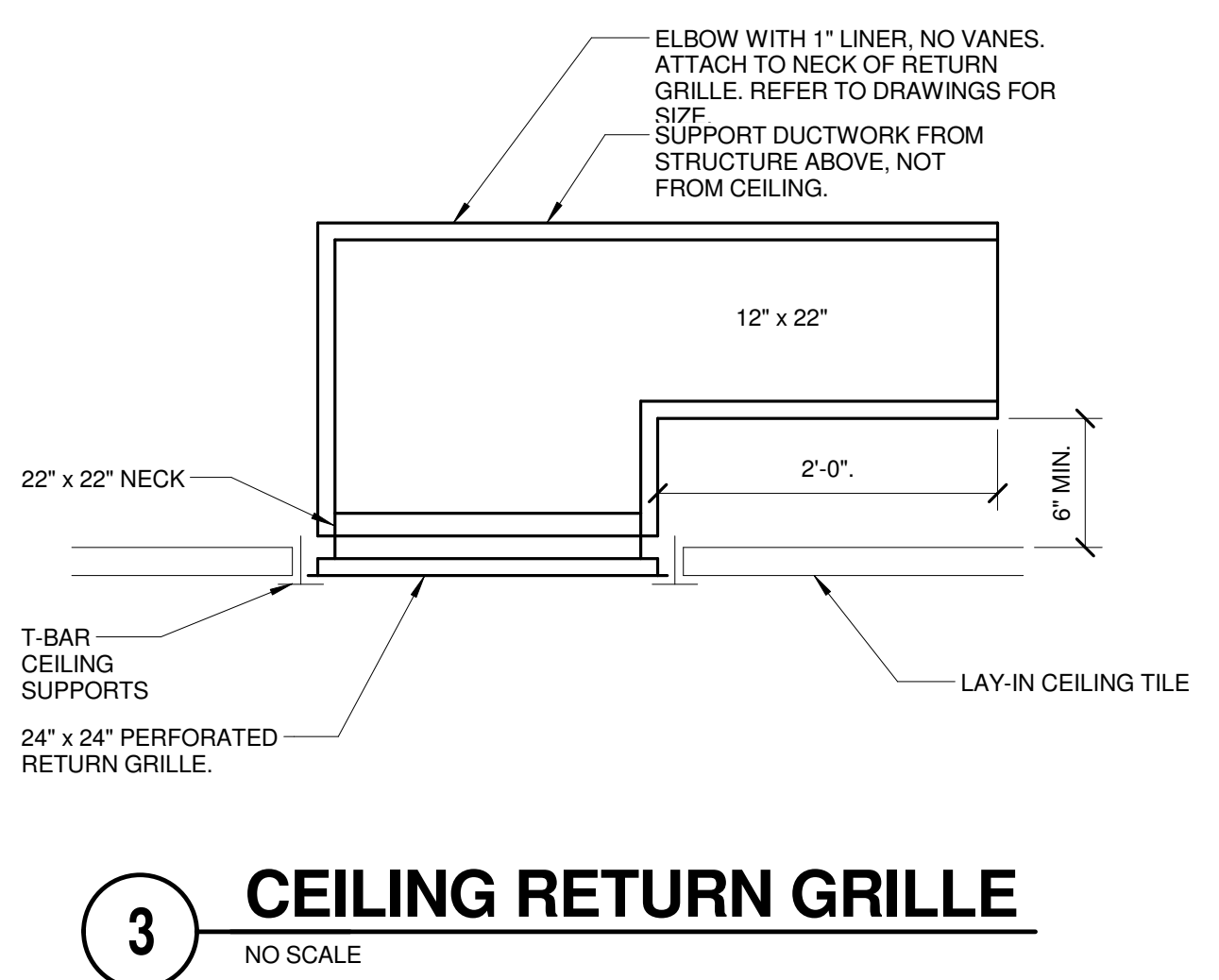
8 CONDENSATE TRAP DETAIL (BLOW-THROUGH)

NO SCALE

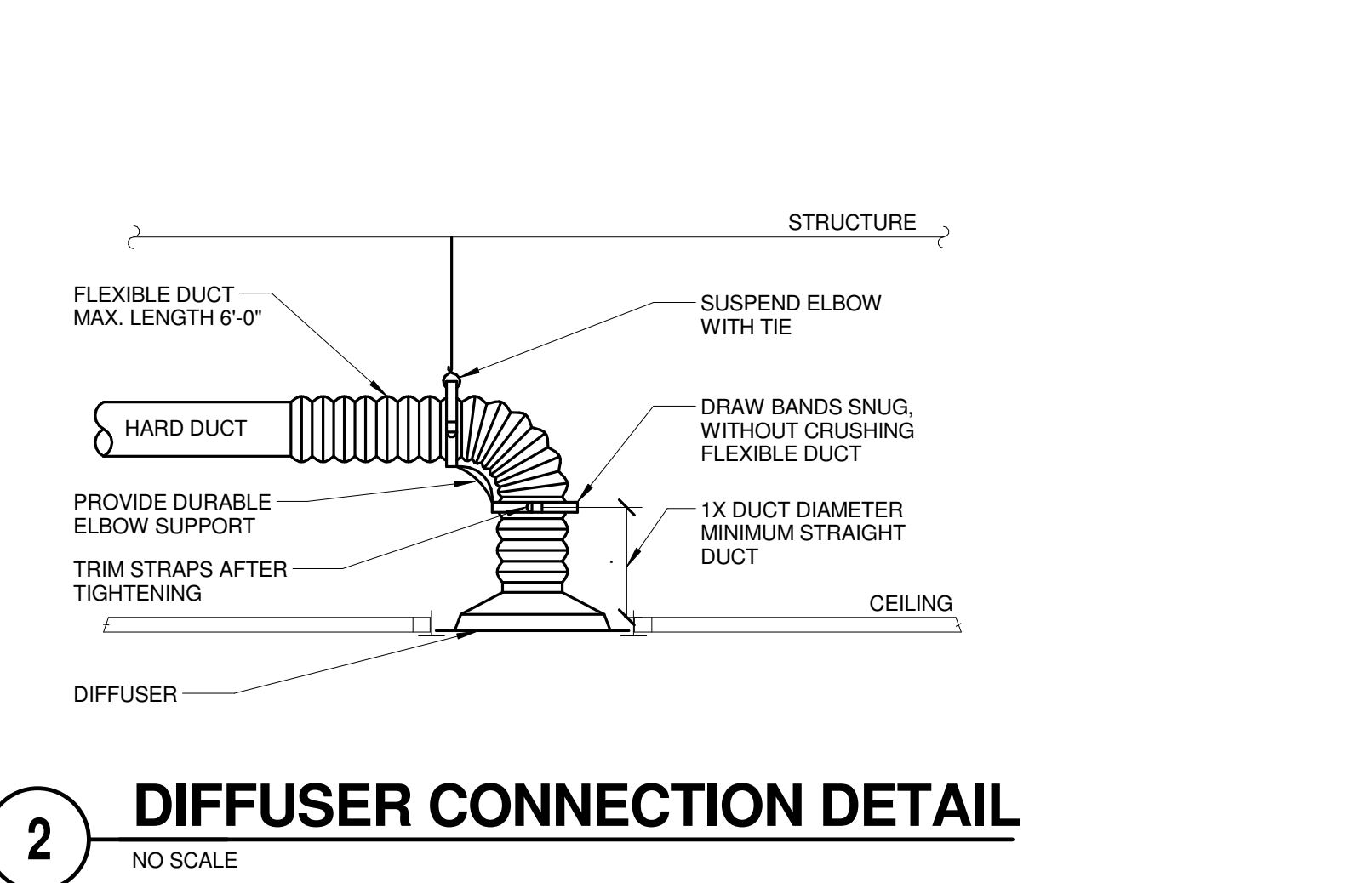
NO.	DESCRIPTION:	DATE:



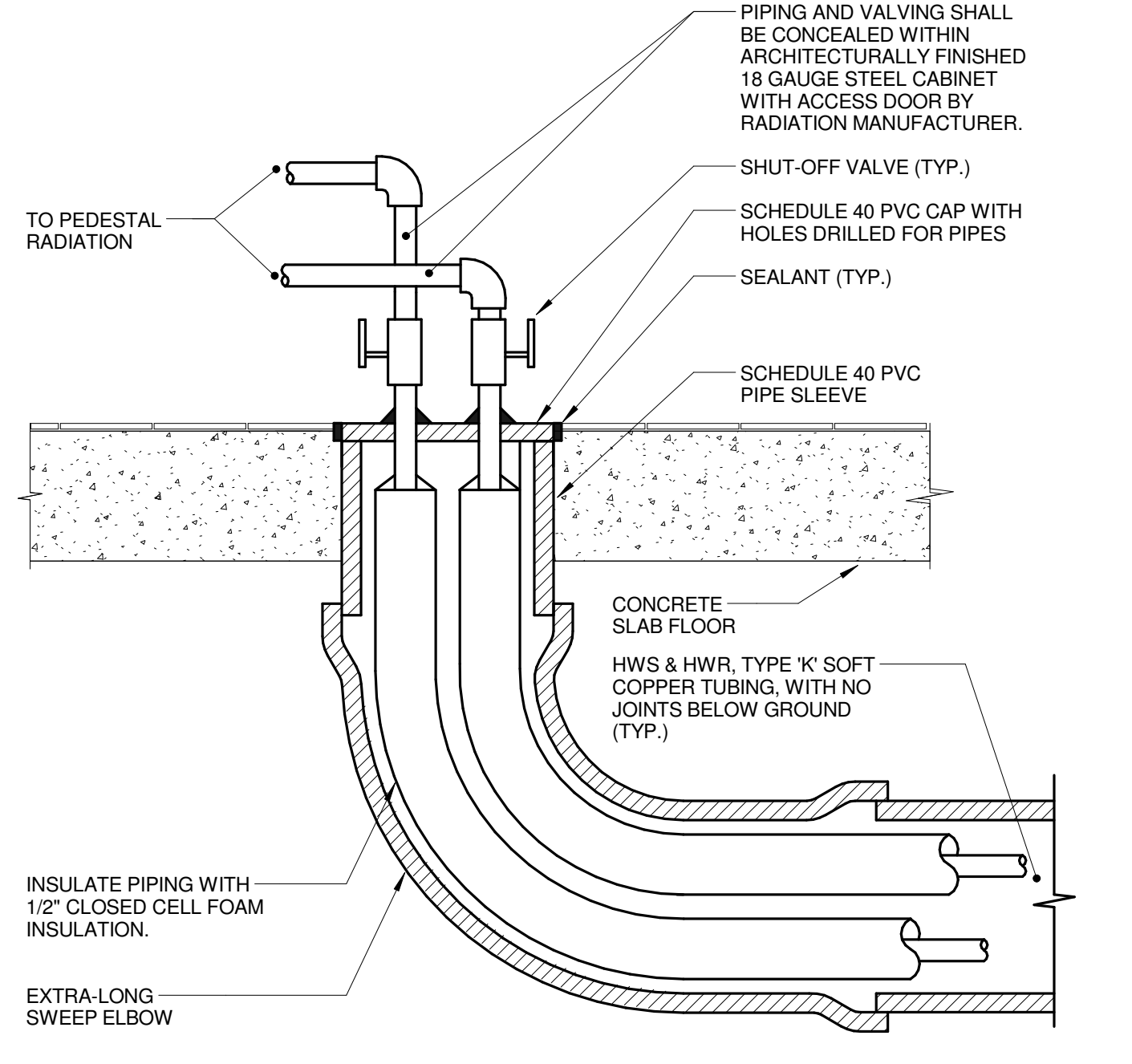
4 TRANSFER DUCT DETAIL
 NO SCALE



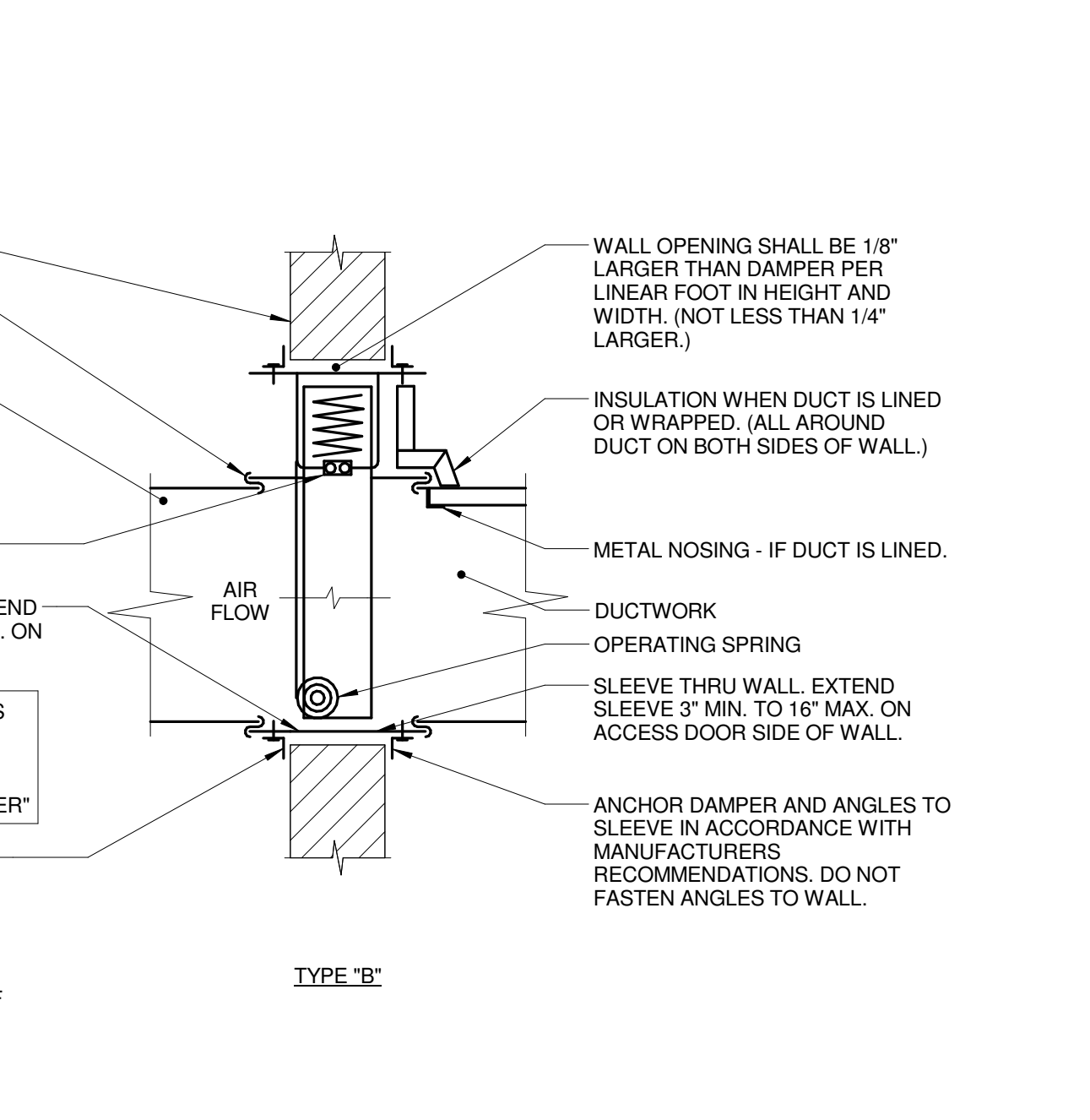
3 CEILING RETURN GRILLE
 NO SCALE



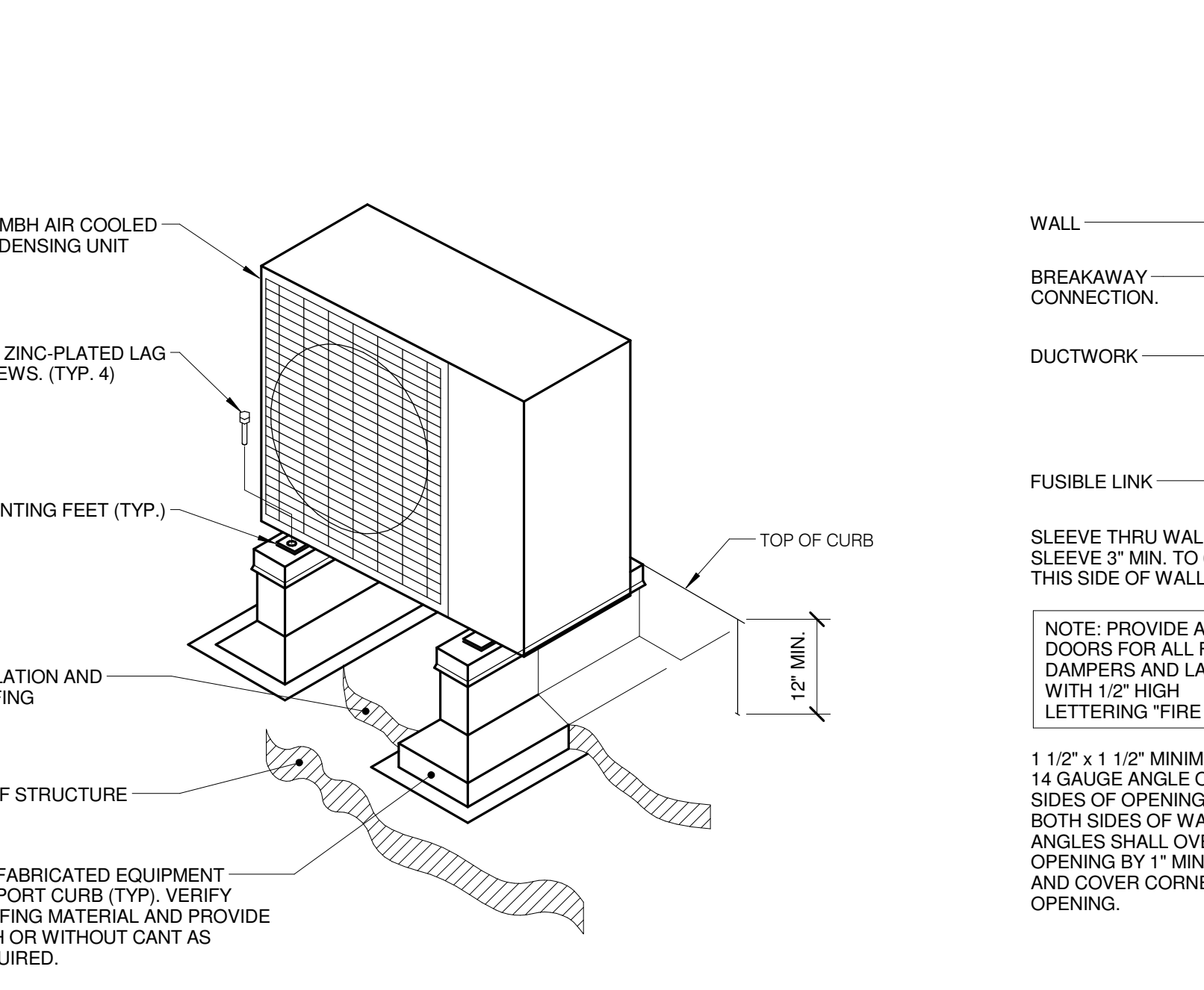
2 DIFFUSER CONNECTION DETAIL
 NO SCALE



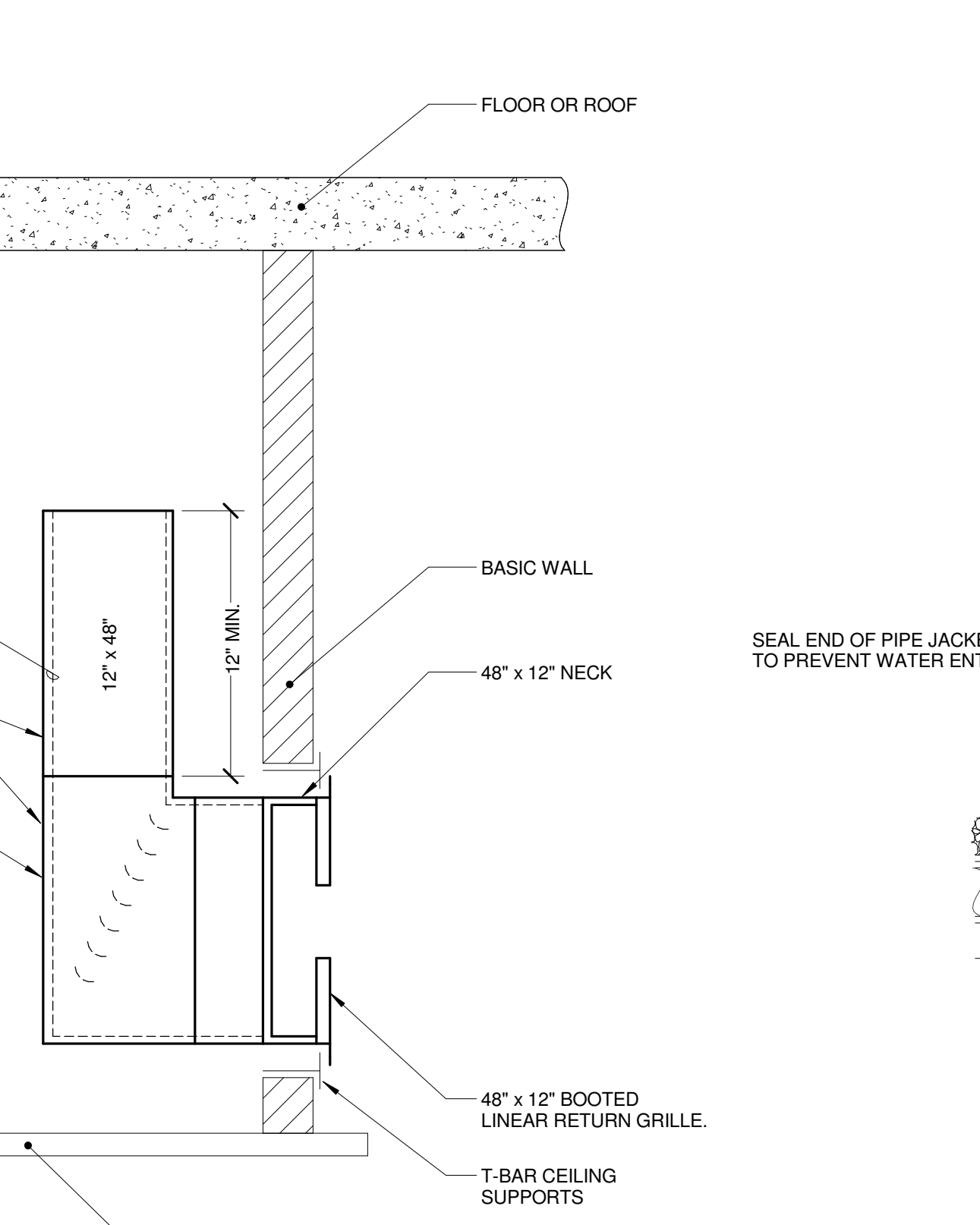
8 UNDERGROUND TUBING TO RADIATION
 NO SCALE



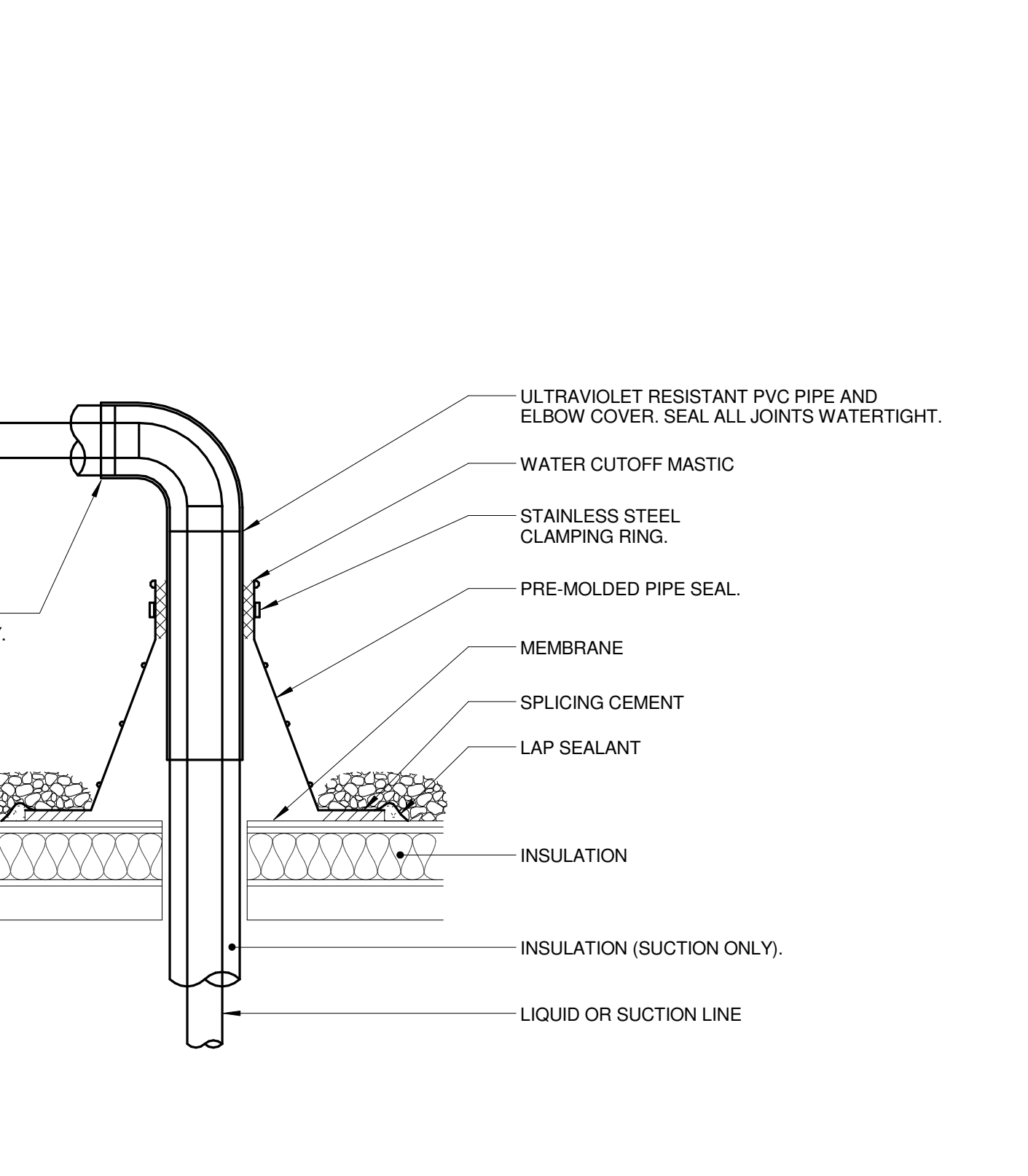
7 FIRE DAMPER THRU WALL DETAIL
 NO SCALE



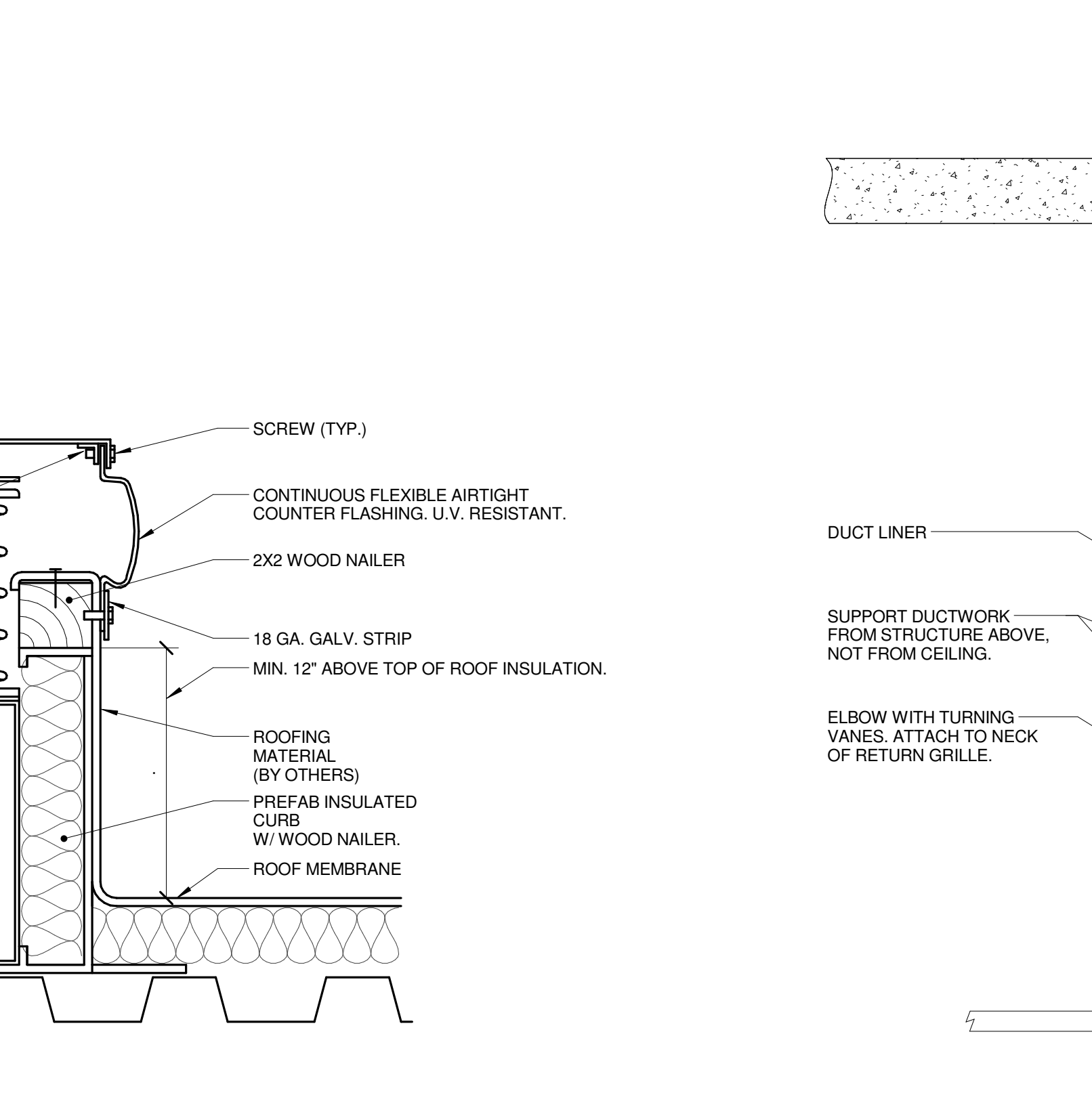
6 CONDENSING UNIT ROOF SUPPORT
 NO SCALE



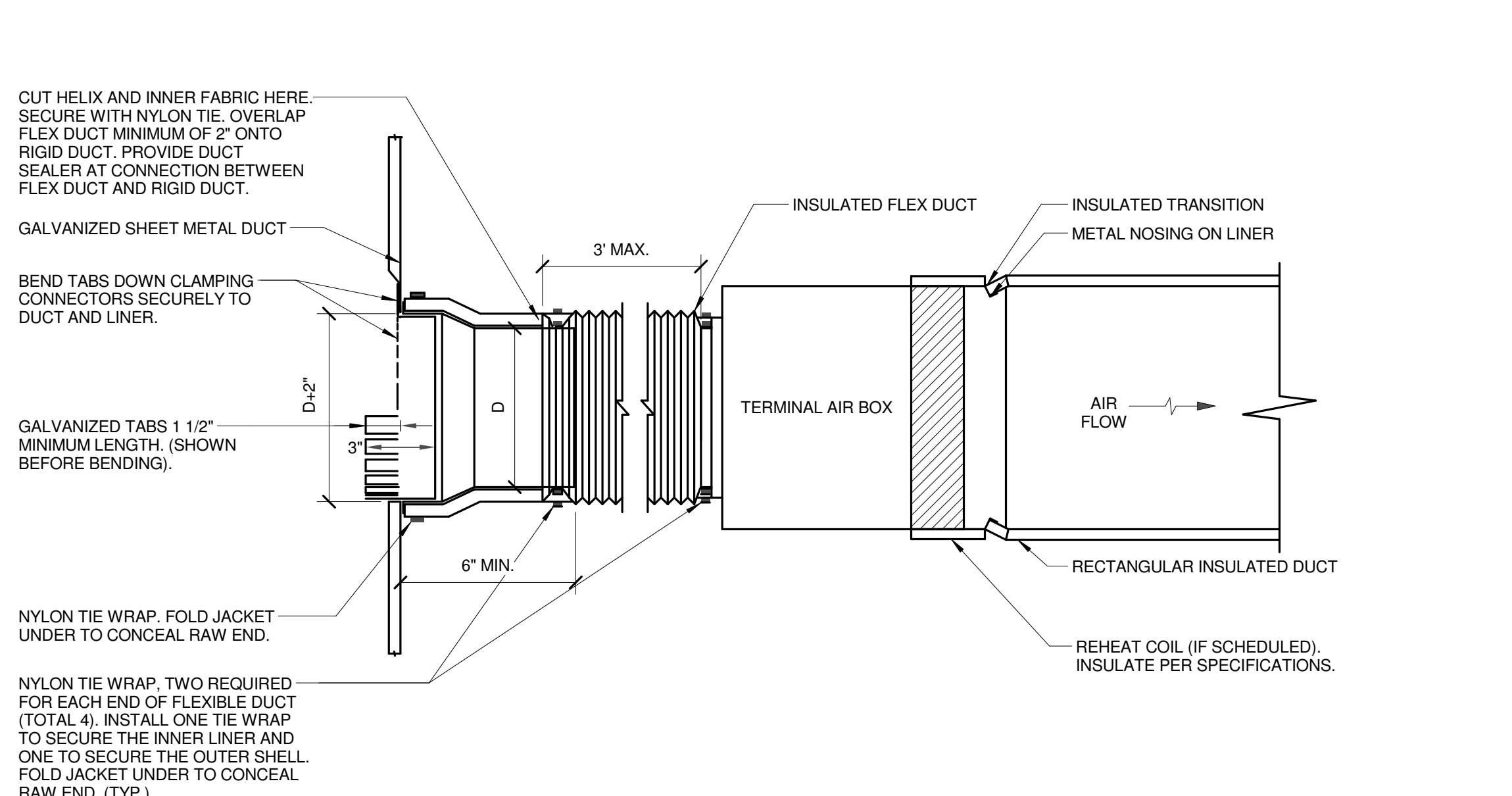
12 REFRIGERANT PIPING WEATHERPROOFING DETAIL
 NO SCALE



11 BOOTED LINEAR RETURN GRILLE
 NO SCALE

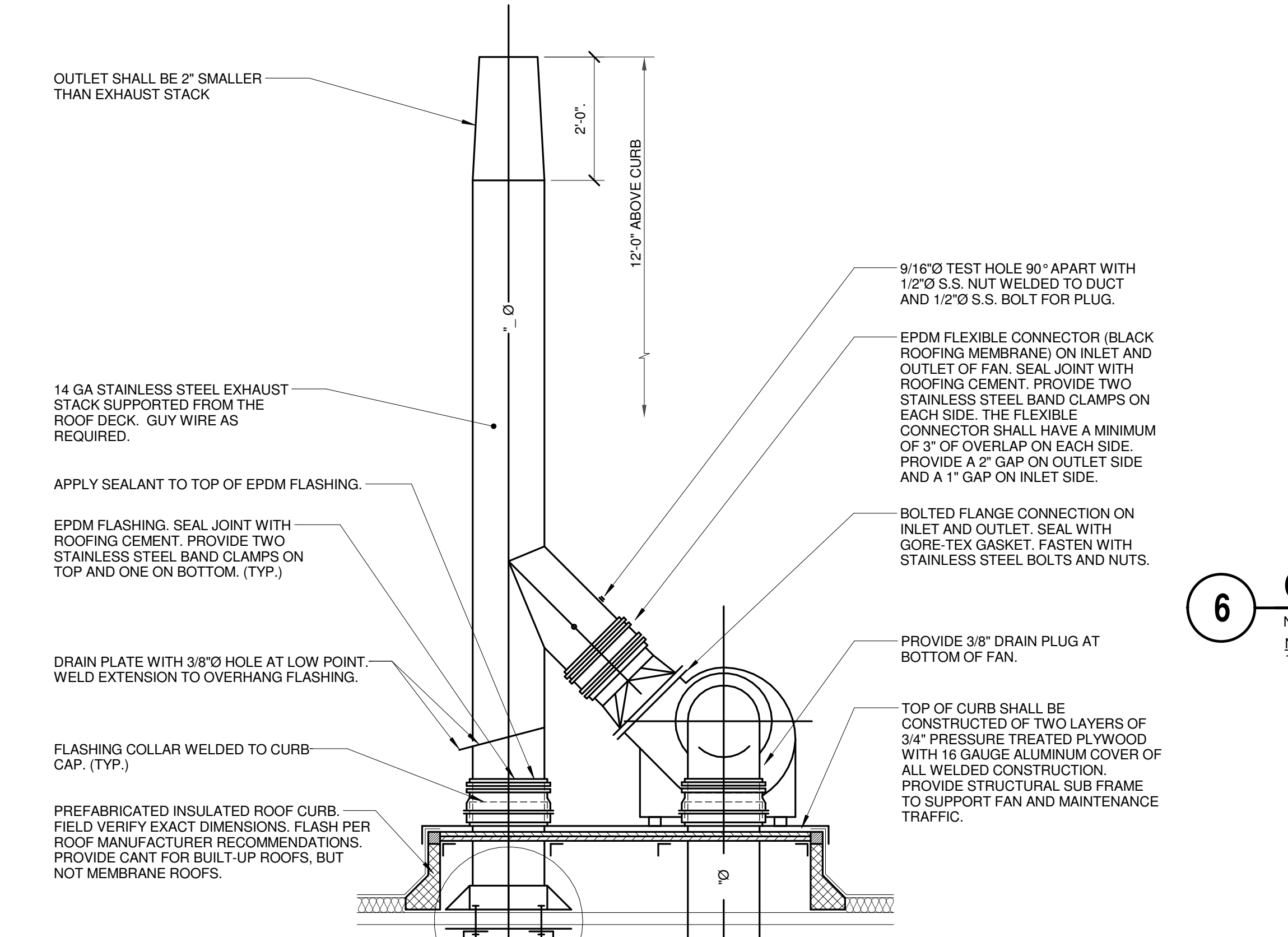


10 ROOF TOP SPRING ISOLATOR CURB DETAIL
 NO SCALE

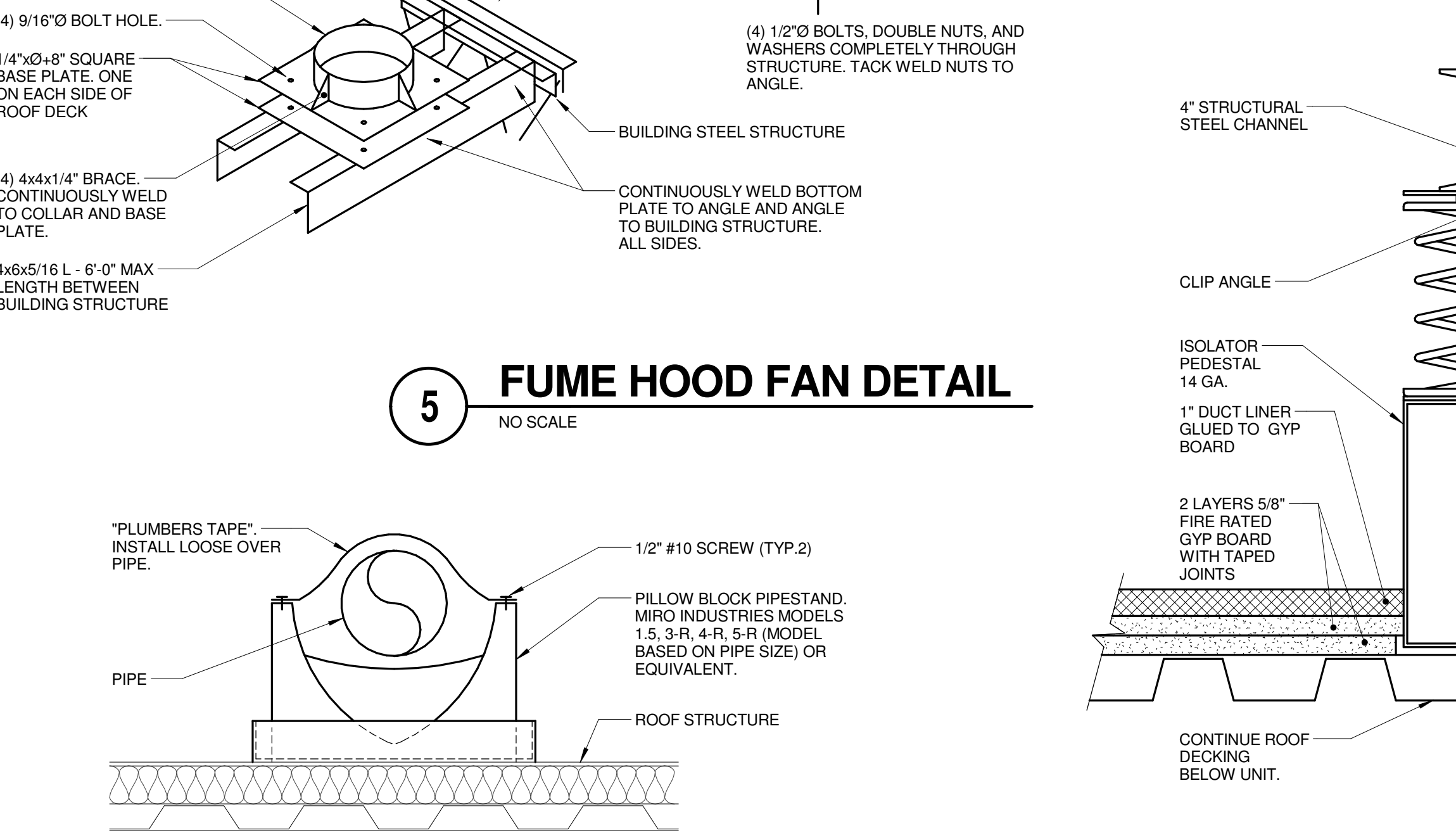


1 TERMINAL AIR BOX DETAIL LINED MAIN
 NO SCALE

NOTES:
 1. THIS DETAIL APPLIES ONLY TO TAPS OFF LINED DUCTS.
 2. THIS DETAIL APPLIES TO TERMINAL AIR BOXES WITH ROUND INLETS AND RECTANGULAR OUTLETS.
 3. DUCT LEADING TO TAB INLET MUST BE STRAIGHT FOR 1.5 DIAMETERS UPSTREAM.



5 FUME HOOD FAN DETAIL
 NO SCALE



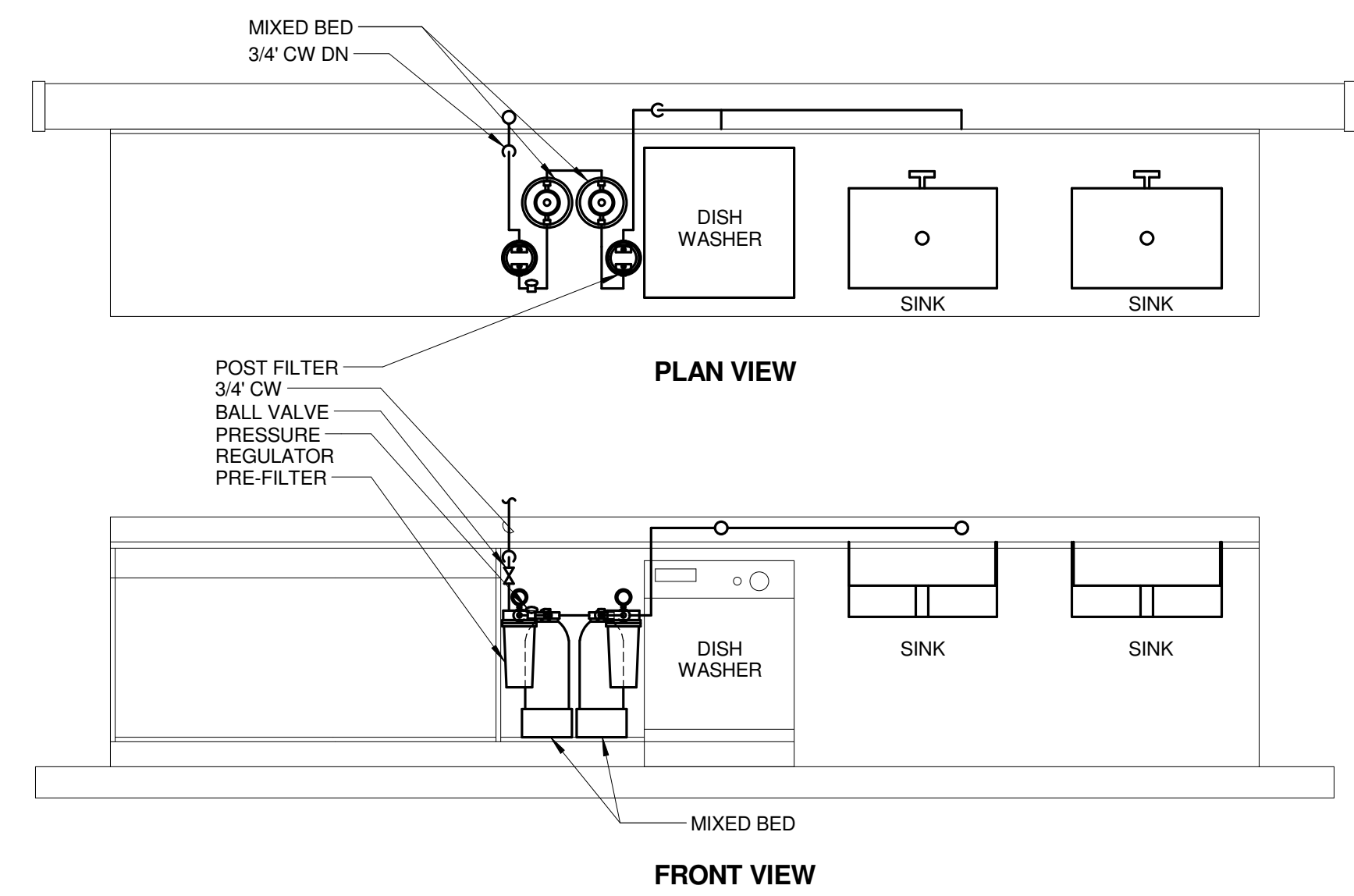
9 PIPE ROOF SUPPORT DETAIL
 NO SCALE

NOTES:
 1. SPACE STANDS AS REQUIRED TO MEET MANUFACTURERS RATED CAPACITIES.
 2. COORDINATE PIPESTAND LOCATIONS WITH G.C.
 3. PROVIDE EPDM PAD TO PROTECT ROOF IF REQUIRED BY ROOFING MANUFACTURER.
 4. MIRO INDUSTRIES (800)768-6978.

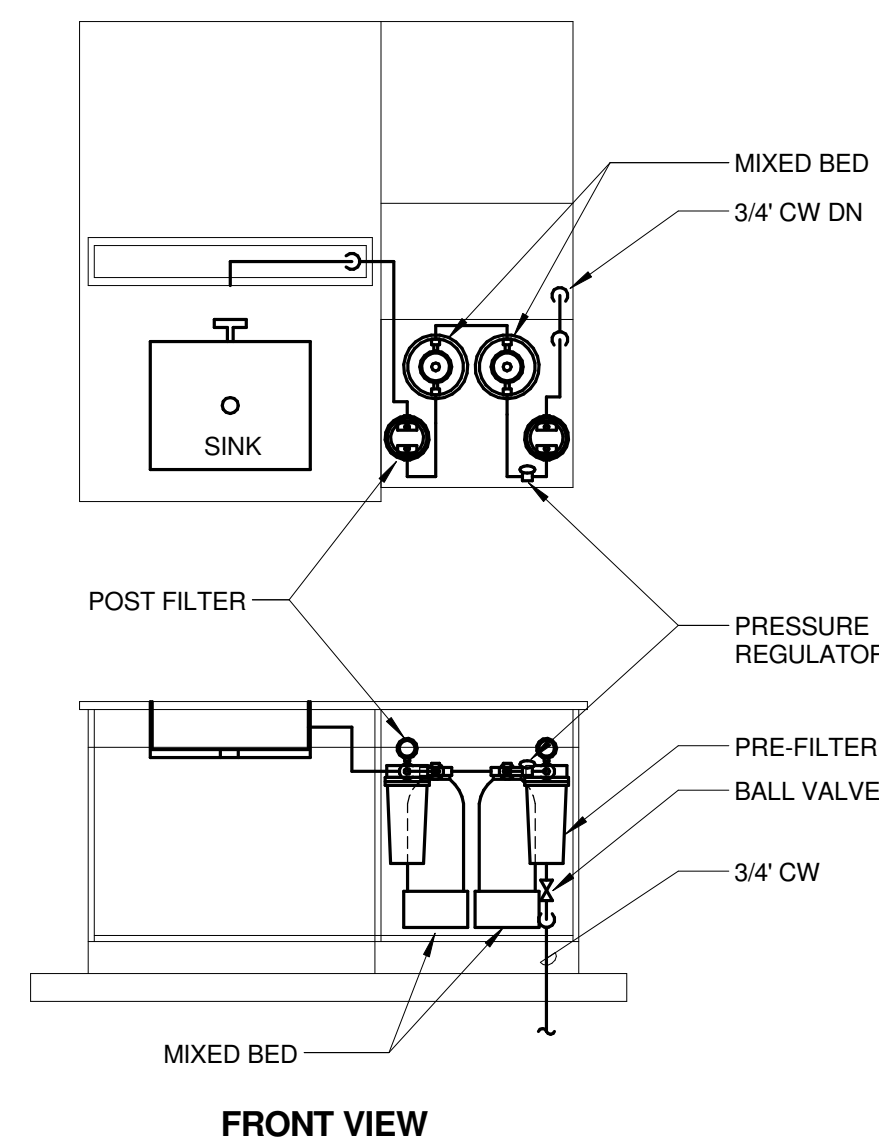
KJWW ENGINEERING CONSULTANTS
 1100 WARRENVILLE ROAD, SUITE 400W
 NAPERVILLE, ILLINOIS 60563
 630.527.2320 FAX: 630.527.2321
 WWW.KJWW.COM
 PROJECT # 14-005.00
 DESIGN FIRM REGISTRATION #18-00077

KJWW ENGINEERING RESERVES PROPRIETARY RIGHTS, INCLUDING COPYRIGHTS, TO THIS DRAWING AND THE DATA SHOWN THEREON. SUCH DRAWING AND/OR DATA ARE THE EXCLUSIVE PROPERTY OF KJWW ENGINEERING AND SHALL NOT BE USED OR REPRODUCED FOR ANY OTHER PROJECT WITHOUT THE EXPRESS WRITTEN APPROVAL AND PARTICIPATION OF KJWW ENGINEERING. © 2015 KJWW, P.C.

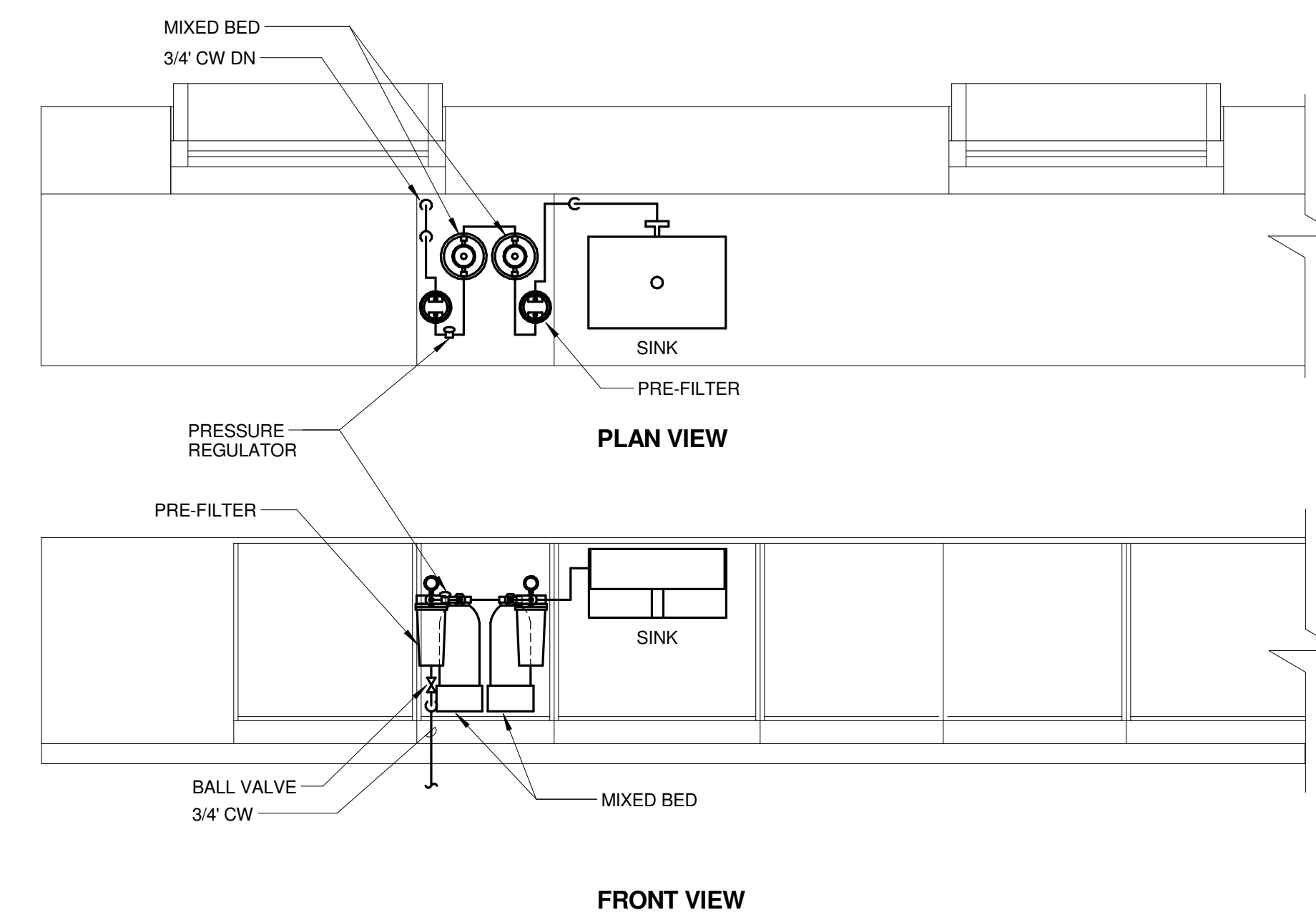
REFERENCE SCALE IN INCHES
 0 1 2 3



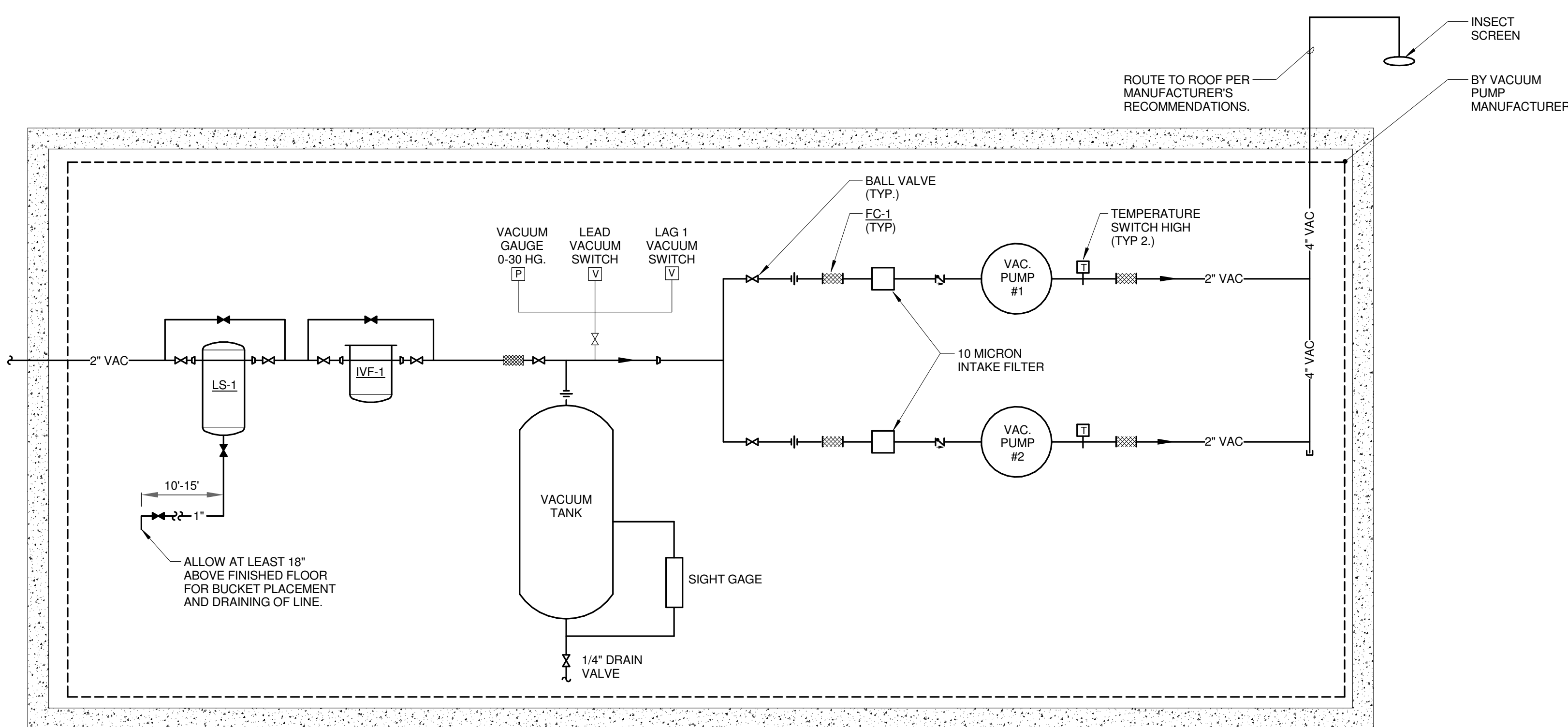
1 PURE WATER SYSTEM AND DISTRIBUTION - CHEM PREP 2010
 NO SCALE



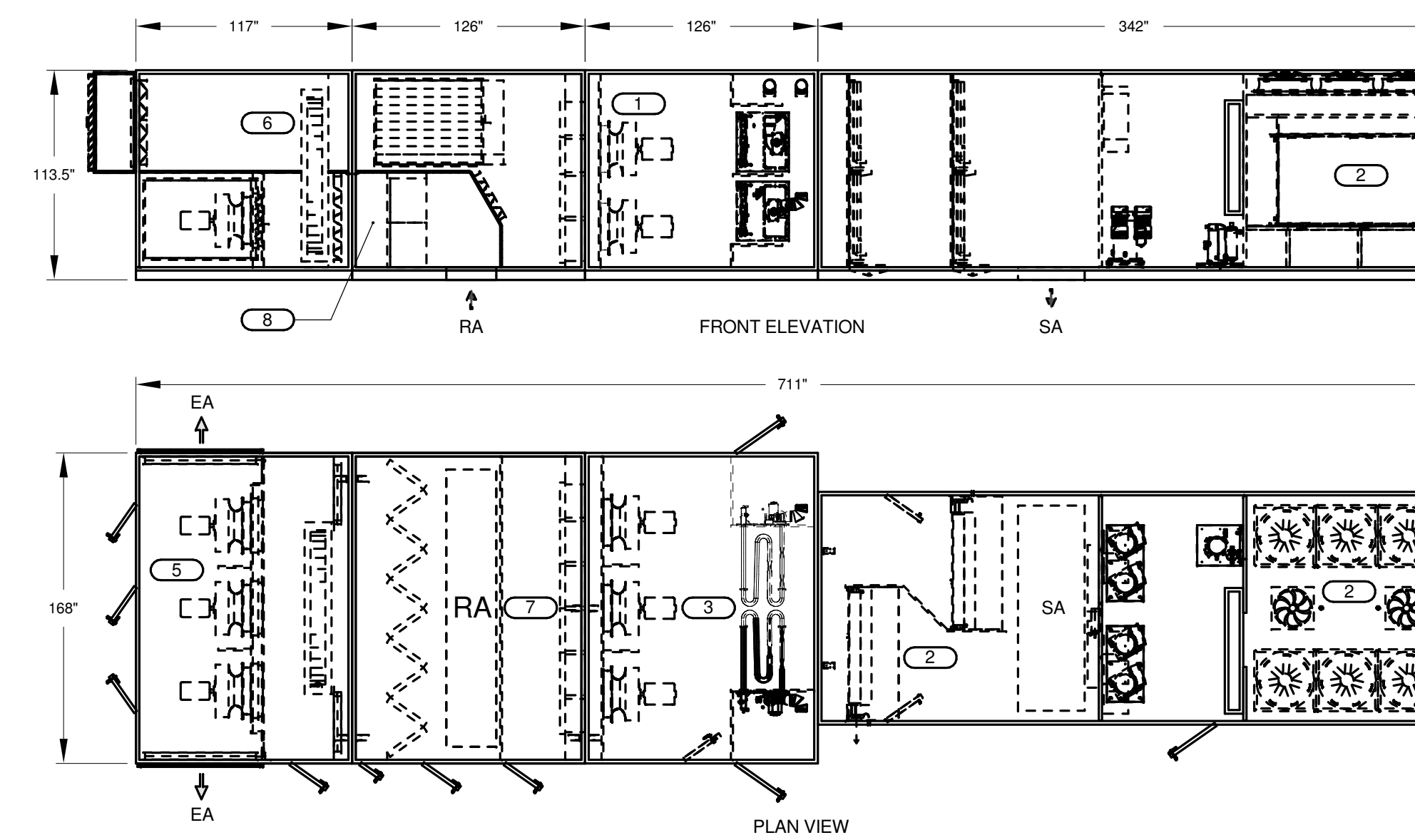
2 PURE WATER SYSTEM AND DISTRIBUTION - CHEM PREP 2010
 NO SCALE



3 PURE WATER SYSTEM AND DISTRIBUTION - CHEMISTRY LAB 2012
 NO SCALE

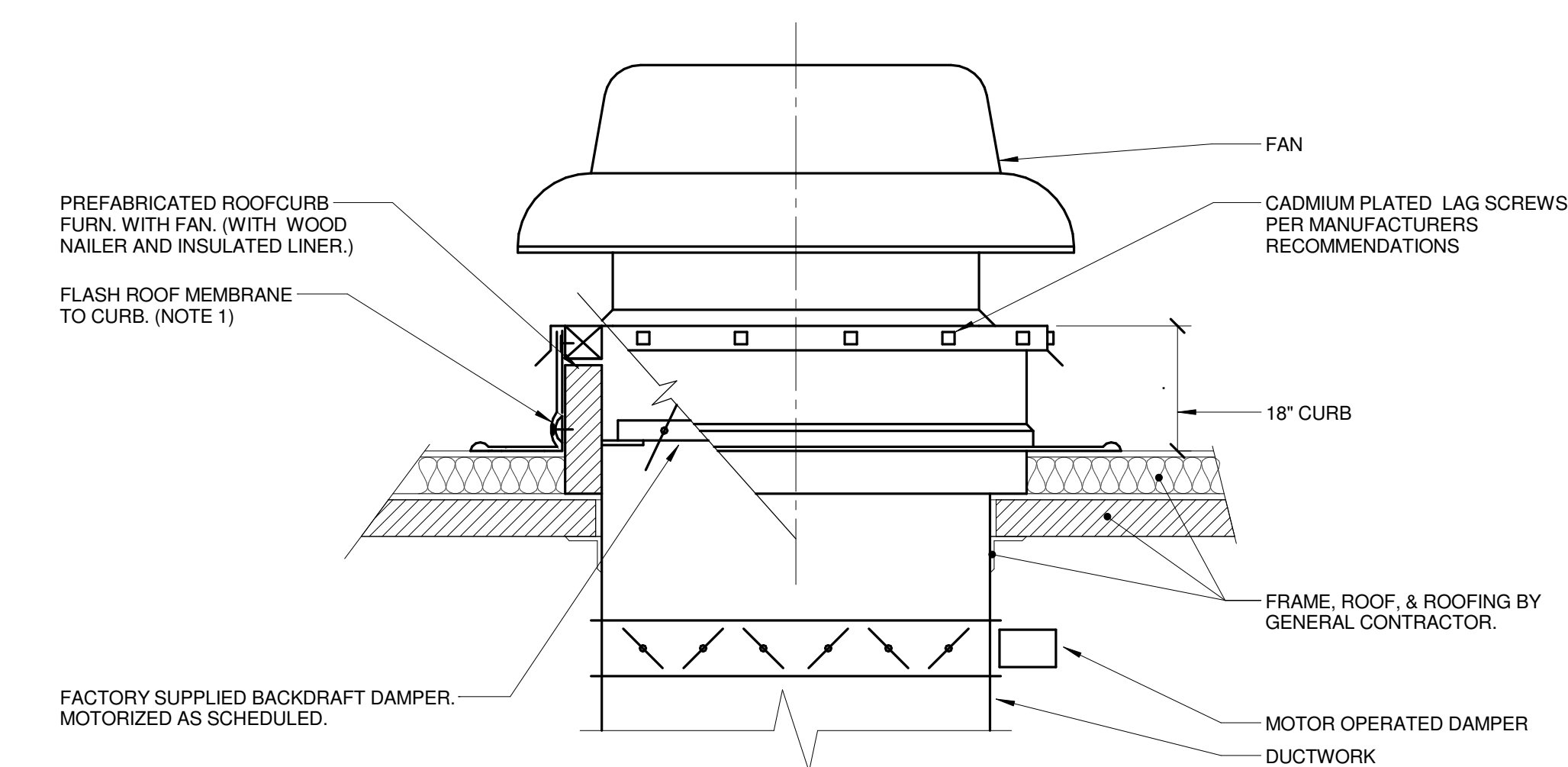


4 VACUUM FLOW DIAGRAM
 NO SCALE



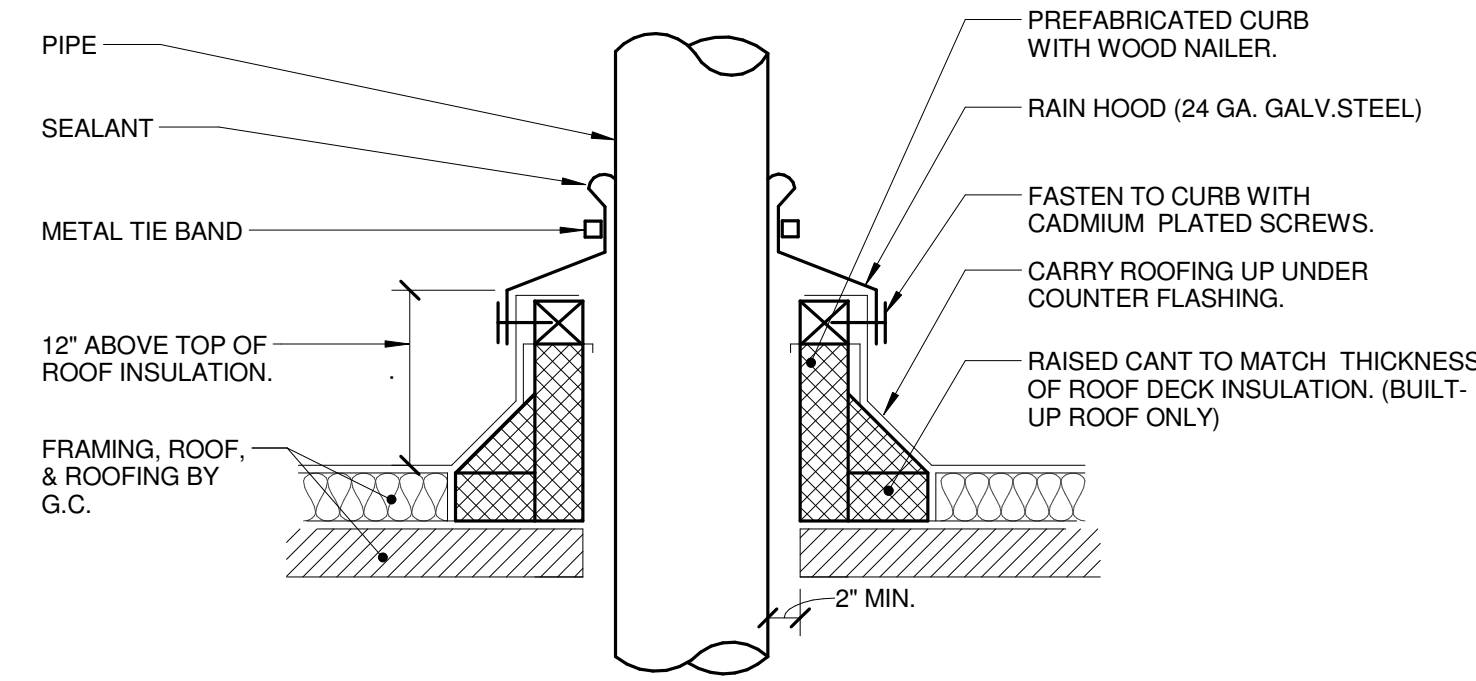
- 1 SUPPLY FANS (REFER TO SCHEDULE FOR QUANTITY)
- 2 COOLING COIL
- 3 HEATING COIL
- 4 CONDENSING UNIT
- 5 RETURN FANS (REFER TO SCHEDULE FOR QUANTITY)
- 6 ENTHALPY WHEEL
- 7 FINAL FILTER
- 8 PRE-FILTER

7 RTU-3 DETAIL
 NO SCALE



5 ROOF MOUNTED FAN (MEMBRANE ROOF)
 NO SCALE

NOTES:
 1. ALL ROOF FLASHING SHALL BE PER ROOFING MANUFACTURERS RECOMMENDATIONS.



6 PIPE THRU ROOF
 NO SCALE

NO.	DESCRIPTION:	DATE:



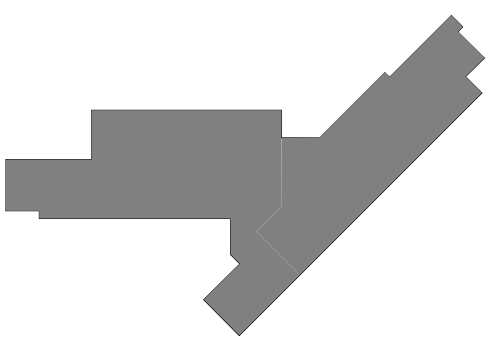
ARCHITECT OF RECORD
DEMONICA KEMPER ARCHITECTS
 125 N. HALSTED STREET, SUITE 301
 CHICAGO, IL 60661
 P: 312.496.0000

STRUCTURAL AND MEPFP ENGINEERING
KJWW ENGINEERING CONSULTANTS
 1100 WARRENVILLE RD., SUITE 400W
 NAPERVILLE, IL 60563
 P: 630.527.2320

FOOD SERVICE CONSULTANT
CINI LITTLE INTERNATIONAL, INC.
 200 E. HOWARD AVE., SUITE 212
 DES PLAINES, IL 60018
 P: 847.298.0088

JOLIET JUNIOR COLLEGE
ROMEORVILLE CAMPUS EXPANSION
 1125 135th ST. ROMEORVILLE, IL 60446
 DKA PROJECT NO: 14-005

KEY PLAN:



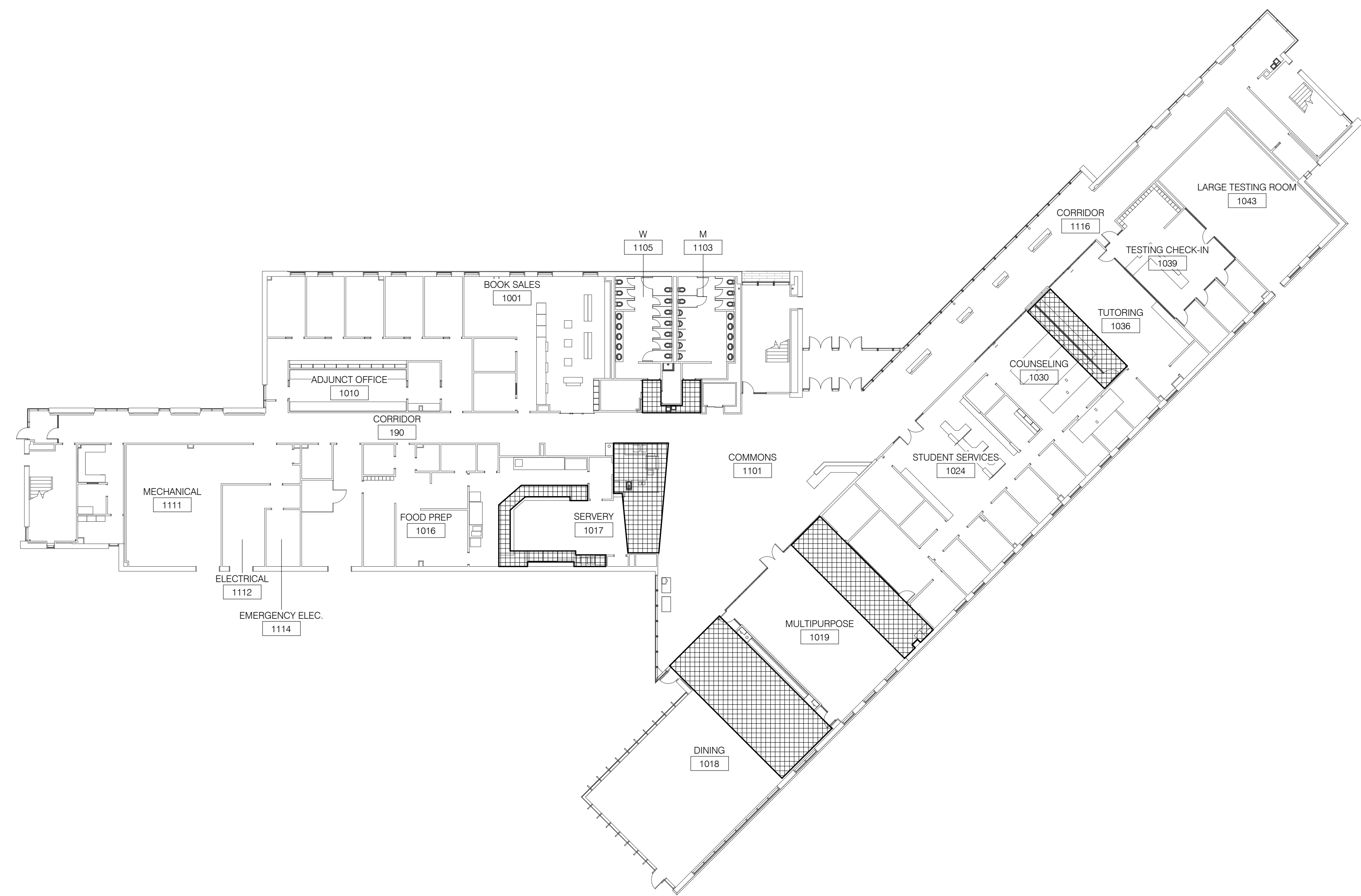
SHEET STATUS: 9/21/15
ISSUED FOR CONSTRUCTION

NO.	DESCRIPTION:	DATE:

SHEET TITLE:
MECHANICAL DETAILS

SHEET NUMBER:

M4.03

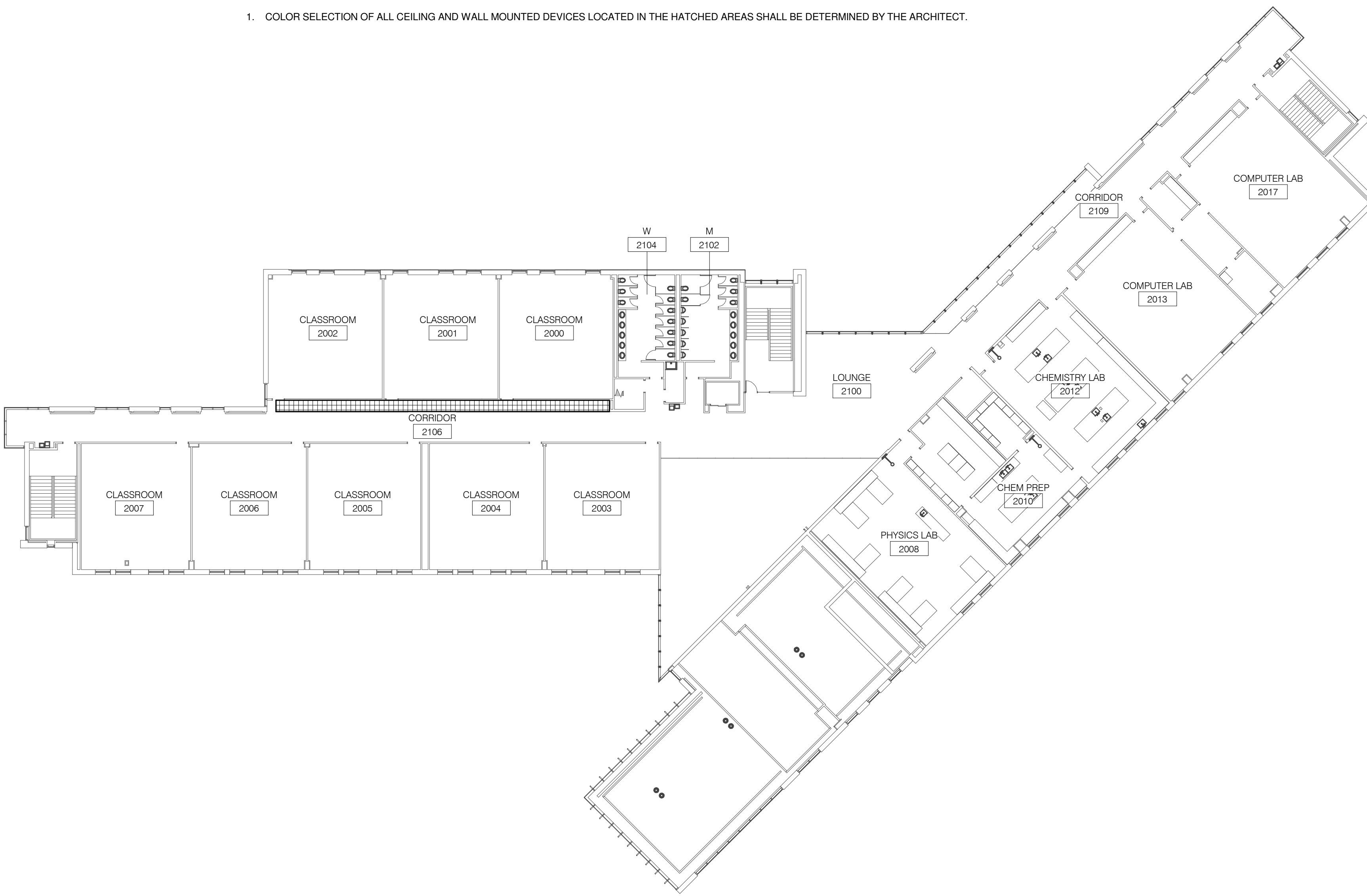


1 LEVEL 1 PLAN - AREAS REQUIRING CUSTOM COLOR DEVICES

NO SCALE

NOTES:

- COLOR SELECTION OF ALL CEILING AND WALL MOUNTED DEVICES LOCATED IN THE HATCHED AREAS SHALL BE DETERMINED BY THE ARCHITECT.

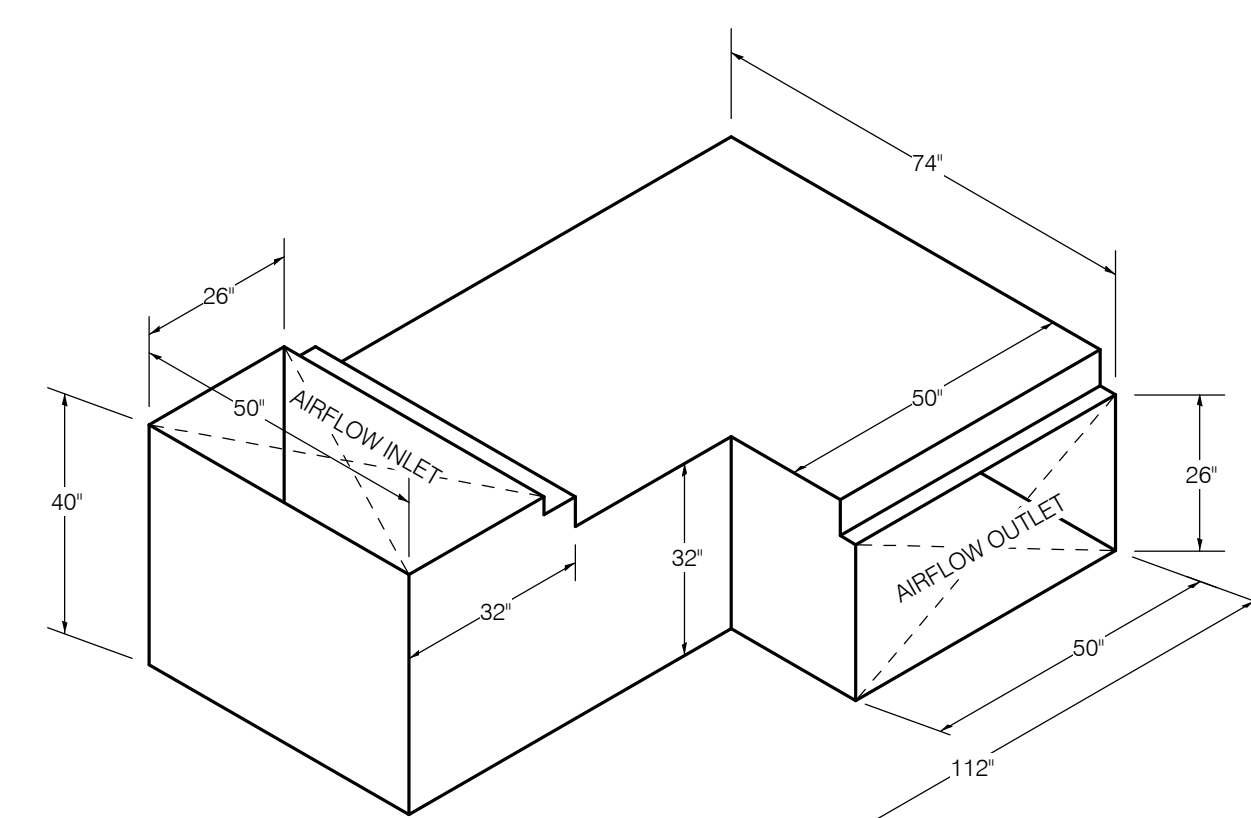


2 LEVEL 2 PLAN - AREAS REQUIRING CUSTOM COLOR DEVICES

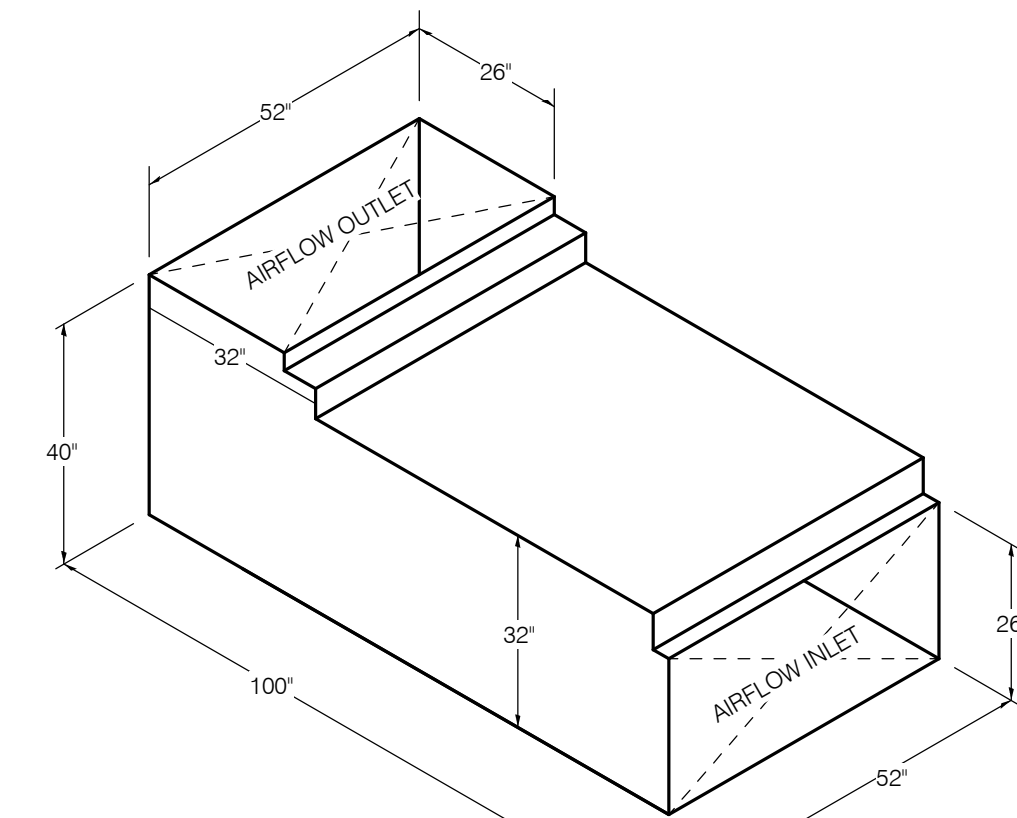
NO SCALE

NOTES:

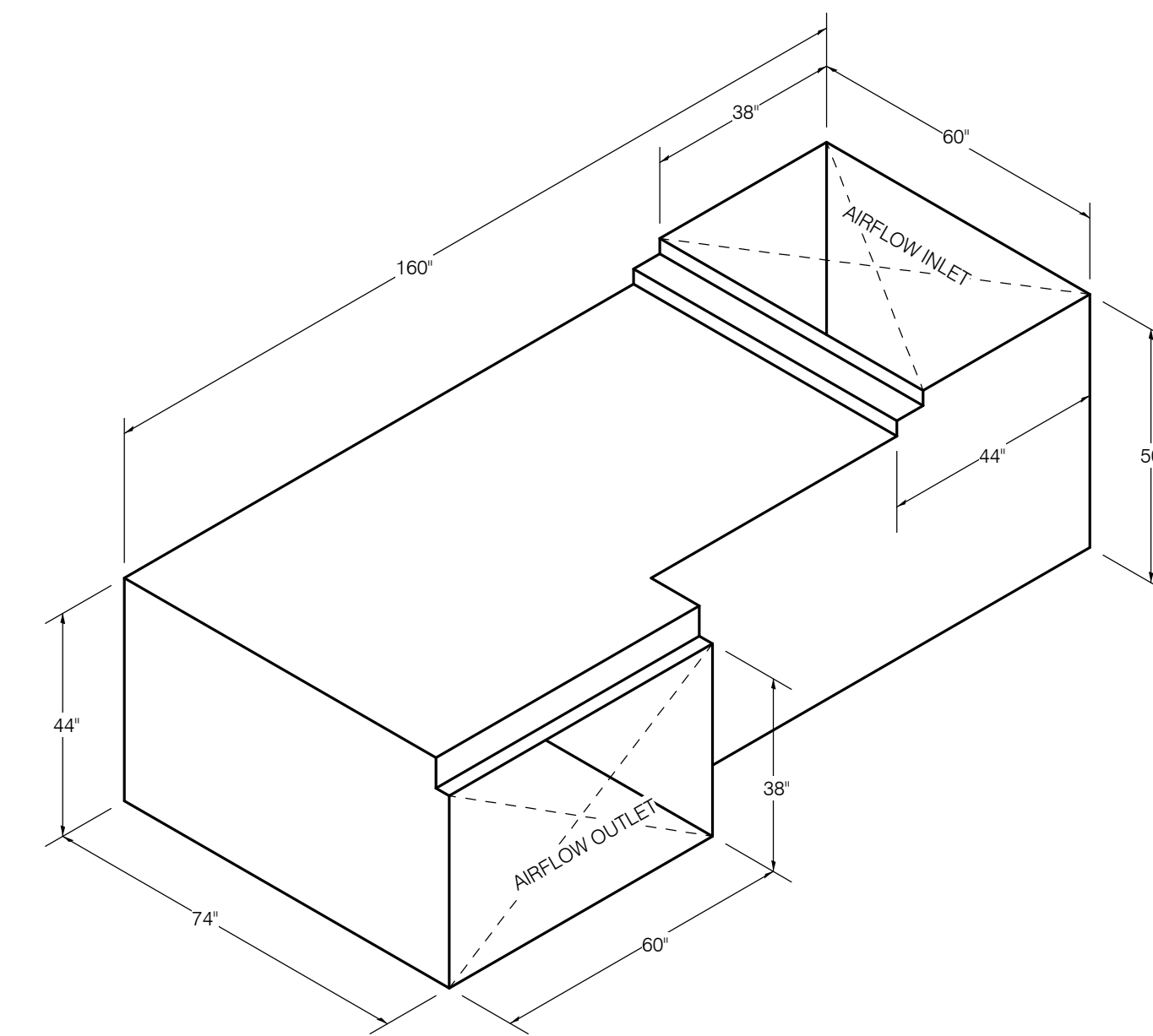
- COLOR SELECTION OF ALL CEILING AND WALL MOUNTED DEVICES LOCATED IN THE HATCHED AREAS SHALL BE DETERMINED BY THE ARCHITECT.



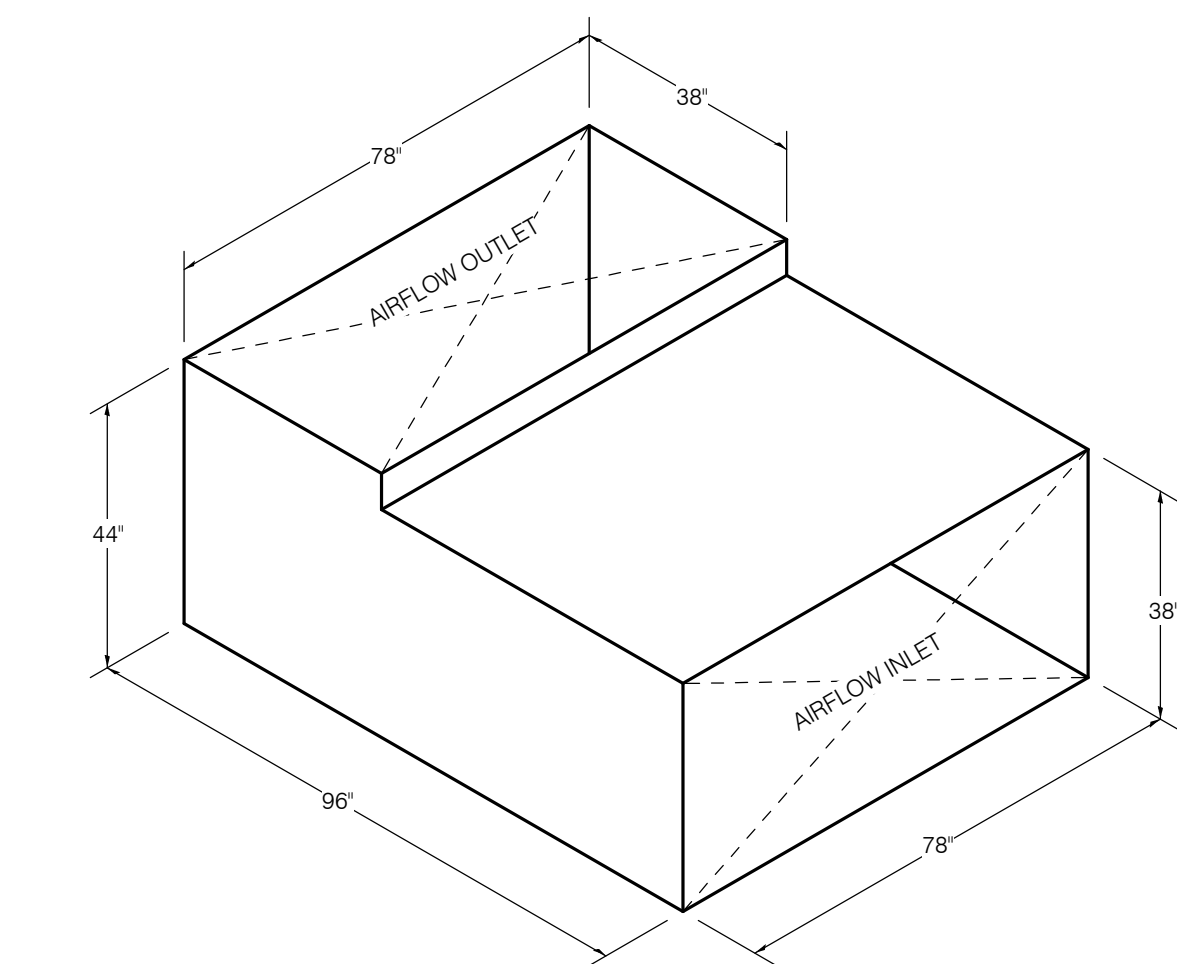
DS-1



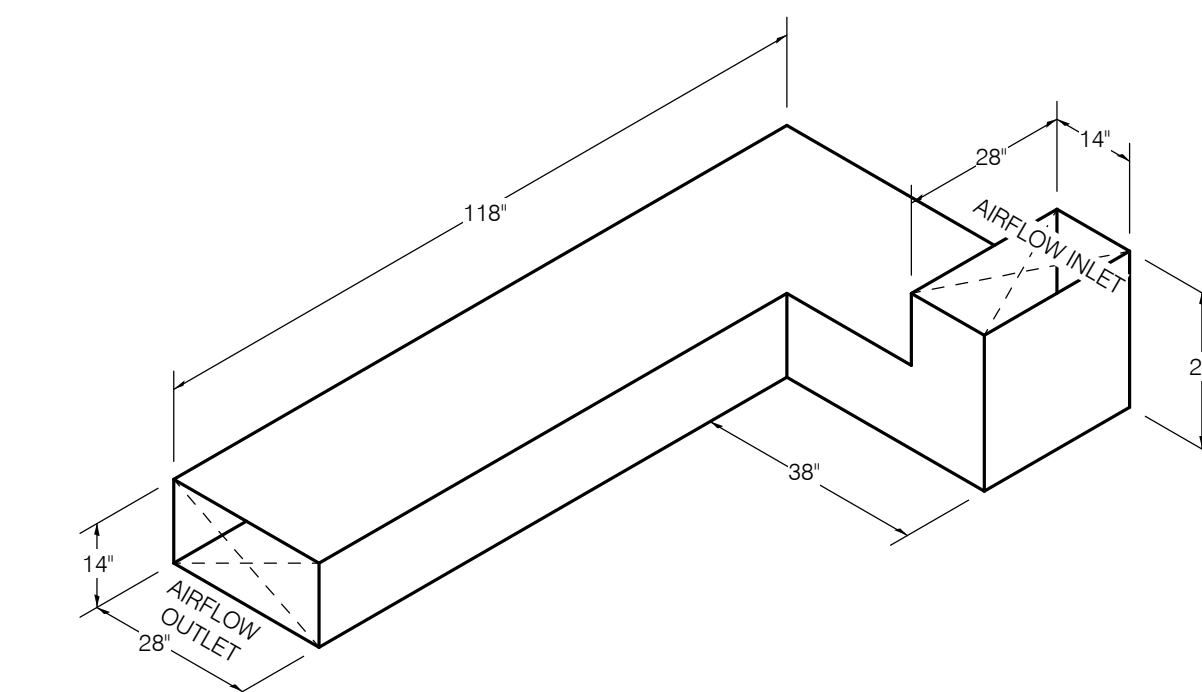
DS-2



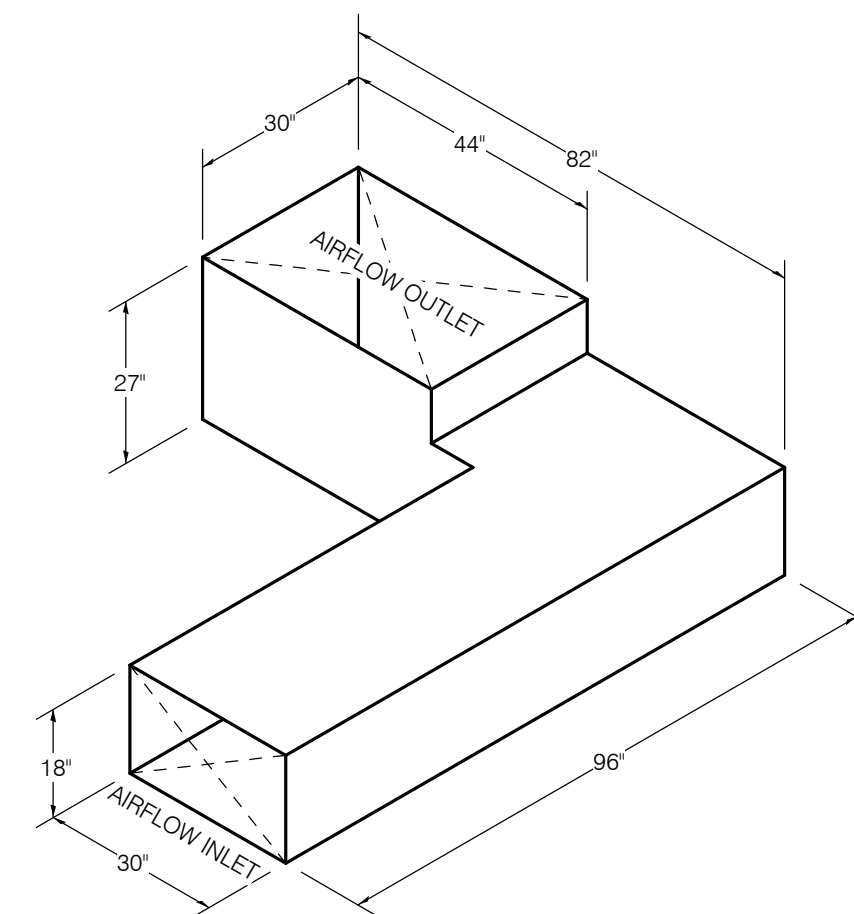
DS-3



DS-4



DS-5



DS-6

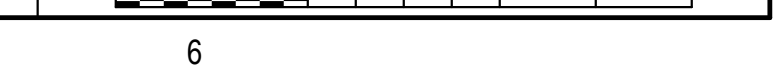
3 DUCT SILENCER DETAIL

NO SCALE

KJWW ENGINEERING CONSULTANTS
 1100 WARRENVILLE ROAD, SUITE 400W
 NAPERVILLE, IL 60563
 630.527.2320 FAX: 630.527.2321
 WWW.KJWW.COM
 PROJECT # 14-005-00
 DESIGN FIRM REGISTRATION #14-005-0077

KJWW ENGINEERING RESERVES PROPRIETARY RIGHTS, INCLUDING COPYRIGHTS, TO THIS DRAWING AND THE DATA SHOWN THEREON. SAID DRAWING AND/OR DATA ARE THE EXCLUSIVE PROPERTY OF KJWW ENGINEERING AND SHALL NOT BE USED OR REPRODUCED FOR ANY OTHER PROJECT WITHOUT THE EXPRESS WRITTEN APPROVAL AND PARTICIPATION OF KJWW ENGINEERING. © 2015 KJWW, P.C.

REFERENCE SCALE IN INCHES





ARCHITECT OF RECORD
DEMONICA KEMPER ARCHITECTS
 125 N. HALSTED STREET, SUITE 301
 CHICAGO, IL 60661
 P: 312.496.0000

STRUCTURAL AND MEP/FP ENGINEERING
KJWW ENGINEERING CONSULTANTS
 1100 WARRENVILLE RD., SUITE 400W
 NAPERVILLE, IL 60563
 P: 630.527.2320

FOOD SERVICE CONSULTANT
CINI LITTLE INTERNATIONAL, INC.
 200 E. HOWARD AVE., SUITE 212
 DES PLAINES, IL 60018
 P: 847.298.0088

JOLIET JUNIOR COLLEGE
ROMEORVILLE CAMPUS EXPANSION
 1125 135th ST. ROMEORVILLE, IL 60446
 DKA PROJECT NO: 14-005

KEY PLAN:

SHEET STATUS: 9/21/15
ISSUED FOR CONSTRUCTION

NO.	DESCRIPTION:	DATE:

SHEET TITLE:
MECHANICAL SCHEDULES

SHEET NUMBER:

M5.00

HOT WATER BOILER SCHEDULE

SYMBOL	NOMINAL BHP	FUEL	INLET FUEL PRESSURE	TURNDOWN RATIO	INPUT MBH	OUTPUT MBH	EWT °F	LWT °F	OPERATING PRESSURE	ELECTRICAL				MANUFACTURER	MODEL	REMARKS	
										AMPS	VOLT-PHASE	DISCONNECT					CONTROLLER/STARTER
												BY (NOTE A)	TYPE (NOTE B)				
BLR-1	51	NG	2 PSI	5:1	3,000	2,700	120	140	14"	6.5	480-3	E.C.	NF	MFR	FULTON	VANTAGE	NOTE 1
BLR-2	51	NG	2 PSI	5:1	3,000	2,700	120	140	14"	6.5	480-3	E.C.	NF	MFR	FULTON	VANTAGE	NOTE 1

NOTES:
 1. REFER TO 1.M7.03 FOR CONTROL DIAGRAM.

CABINET HEATER SCHEDULE - HOT WATER

SYMBOL	SERVICE	TYPE	NOMINAL CFM	MBH	GPM	EWT °F	LWT °F	MAX. W.P.D. FT. HEAD	CONTROL	CABINET			ELECTRICAL						MANUFACTURER	MODEL/ SIZE-COIL	REMARKS		
										L	W	H	MOTOR 1		MOTOR 2		VOLT PHASE/WIRE	DISCONNECT				CONTROLLER/STARTER	
													HP	RPM	HP	RPM		BY (NOTE A)					TYPE (NOTE B)
										BY (NOTE A)	TYPE (NOTE B)	BY (NOTE A)											
CAB-1	VESTIBULE 1109	HORIZONTAL RECESSED	305	26.36	2.63	180	160	7.75	TCC	47"	30"	11"	0.220	619	-	-	115-1	MFR	NF	MFR	TRANE	FFEB06 / 060-2HC	NOTE 1,2,5
CAB-2	STAIR 1110	HORIZONTAL RECESSED	673	76.16	7.61	180	160	9.55	TCC	75"	30"	11"	0.130	819	0.220	819	115-1	MFR	NF	MFR	TRANE	FFEB12 / 120-4HC	NOTE 1,2,5
CAB-3	VESTIBULE 1100	HORIZONTAL RECESSED	543	47.24	4.72	180	160	8.02	TCC	75"	30"	11"	0.130	606	0.220	690	115-1	MFR	NF	MFR	TRANE	FFEB10 / 100-2HC	NOTE 1,2,5
CAB-4	VESTIBULE 1100	HORIZONTAL RECESSED	543	47.24	4.72	180	160	8.02	TCC	75"	30"	11"	0.130	606	0.220	690	115-1	MFR	NF	MFR	TRANE	FFEB10 / 100-2HC	NOTE 1,2,5
CAB-5	STAIR 1102	VERTICAL WALL HUNG	673	76.16	7.61	180	160	9.55	TCC	75"	30"	11"	0.130	819	0.220	819	115-1	MFR	NF	MFR	TRANE	FFEB12 / 120-4HC	NOTE 1,2,6
CAB-6	STAIR 1119	HORIZONTAL RECESSED	673	76.16	7.61	180	160	9.55	TCC	75"	30"	11"	0.130	819	0.220	819	115-1	MFR	NF	MFR	TRANE	FFEB12 / 120-4HC	NOTE 1,2,5
CAB-7	VESTIBULE 1118	HORIZONTAL RECESSED	305	26.36	2.63	180	160	7.75	TCC	47"	30"	11"	0.220	619	-	-	115-1	MFR	NF	MFR	TRANE	FFEB06 / 060-2HC	NOTE 1,2,4,5
CAB-8	STAIR 2107	HORIZONTAL RECESSED	673	76.16	7.61	180	160	9.55	TCC	75"	30"	11"	0.130	819	0.220	819	115-1	MFR	NF	MFR	TRANE	FFEB12 / 120-4HC	NOTE 1,2,5
CAB-9	STAIR 2101	HORIZONTAL RECESSED	495	56.81	5.67	180	160	5.42	TCC	75"	30"	11"	0.130	632	0.220	625	115-1	MFR	NF	MFR	TRANE	FFEB10 / 100-4HC	NOTE 1,2,5
CAB-10	STAIR 2110	HORIZONTAL RECESSED	673	76.16	7.61	180	160	9.55	TCC	75"	30"	11"	0.130	819	0.220	819	115-1	MFR	NF	MFR	TRANE	FFEB12 / 120-4HC	NOTE 1,2,5
CAB-11	LINK 1120	HORIZONTAL RECESSED	203	20.30	2.03	180	160	4.78	TCC	33"	30"	11"	0.130	833	-	-	115-1	MFR	NF	MFR	TRANE	FFEB03 / 030-3HC	NOTE 1,2,3,5
CAB-12	LINK 1120	HORIZONTAL RECESSED	203	20.30	2.03	180	160	4.78	TCC	33"	30"	11"	0.130	833	-	-	115-1	MFR	NF	MFR	TRANE	FFEB03 / 030-3HC	NOTE 1,2,3,5

NOTES:
 1. COORDINATE COLOR SELECTION WITH ARCHITECT.
 2. REFER TO M FOR CABINET HEATER CONTROL.
 3. CABINET HEATER PART OF ALTERNATE BID # SCOPE ONLY.
 4. CABINET HEATER PART OF BASE BID SCOPE ONLY.
 5. BOTTOM STAMPED LOUVER INLET & OUTLET.
 6. BOTTOM & FRONT STAMPED LOUVER INLET, TOP BAR GRILLE OUTLET.

GRILLES REGISTERS & DIFFUSERS SCHEDULE

SYMBOL	MAT'L	TYPE	MARGIN (NOTE 1)	INLET SIZE (INCH)	FACE SIZE (INCH)	VOLUME DAMPER REQ'D	FINISH	MANUFACTURER	MODEL	REMARKS
CD-1	STEEL	PANEL FACE	LAY-IN	SEE DWG.	24x24	NO	NOTE 4	TITUS	OMNI	FLUSH FACE PANEL
CD-2	ALUMINUM	PERFORATED FACE	LAY-IN	SEE DWG.	24x48	NO	NOTE 4	PRICE	RFD	RADIAL FLOW DIFFUSER
SG-1	STEEL	DOUBLE DEFLECTION	1 1/4"	SEE DWG.	INLET +2	NO	NOTE 4	TITUS	300R	FRONT BLADES VERTICAL UNLESS NOTED OTHERWISE
RG-1	STEEL	PERFORATED FACE	LAY-IN	N/A	24x24	NO	NOTE 4	TITUS	PXP	FACE ONLY - NON DUCTED
RG-2	STEEL	PERFORATED FACE	LAY-IN	SEE DWG.	24x24	NO	NOTE 4	TITUS	PAR	DUCTED RETURN
RG-3	STEEL	PERFORATED FACE	LAY-IN	N/A	24x12	NO	NOTE 4	TITUS	PXP	FACE ONLY - NON DUCTED
EG-1	STEEL	35° DEFLECTION	1 1/4"	SEE DWG.	INLET +2	NO	NOTE 4	TITUS	350R	
EG-2	STEEL	PERFORATED FACE	LAY-IN	SEE DWG.	24X24	NO	NOTE 4	TITUS	PAR	DUCTED EXHAUST
TG-1	STEEL	35° DEFLECTION	1 1/4"	SEE DWG.	INLET +2	NO	NOTE 4	TITUS	350R	
TG-2	STEEL	PERFORATED FACE	LAY-IN	SEE DWG.	24X24	NO	NOTE 4	TITUS	PAR	

NOTES:
 1. CONTRACTOR SHALL DETERMINE PROPER MARGIN STYLE TO MATCH CEILING CONSTRUCTION.
 2. ALL RUN OUT DUCTWORK TO DIFFUSERS SHALL BE NECK SIZE UNLESS OTHERWISE NOTED.
 3. ALL ALUMINUM CONSTRUCTION FOR MR USE. NON FERROUS FASTENERS ARE REQUIRED.
 4. FINAL COLOR SELECTION SHALL BE DETERMINED BY ARCHITECT. VARIOUS COLORS MAY BE USED IN DIFFERENT LOCATIONS.

PUMP SCHEDULE

SYMBOL	SERVICE	GPM	PUMP FT. HEAD AT DESIGN	MINIMUM PUMP EFFICIENCY	INLET/MPREL. SIZE IN.	ELECTRICAL				MANUFACTURER	MODEL	REMARKS			
						HP (NOTE E)	RPM	VOLT-PHASE	DISCONNECT				CONTROLLER/STARTER		
									BY (NOTE A)					TYPE (NOTE B)	BY (NOTE A)
P-1	BUILDING	275	60	74.88	3 / 8.5	7.5	1,750	480-3	EC	VFD	EC	VFD	BELL & GOSSETT	E-1510 2.58B	NOTE 1
P-2	BUILDING	275	60	74.88	3 / 8.5	7.5	1,750	480-3	EC	VFD	EC	VFD	BELL & GOSSETT	E-1510 2.58B	NOTE 1

NOTES:
 1. PROVIDE SHAFT GROUNDING AS REQUIRED IN THE MOTOR SPECIFICATION 23 05 13.

FAN SCHEDULE

SYMBOL	SERVICE	CFM	S.P. IN. W.C.	WHEEL DIA. INCHES	FAN RPM (NOTE F)	DRIVE	MAX. AMCA SCORES	BACKDRAFT DAMPER	CURB TYPE (NOTE G)	ELECTRICAL						MANUFACTURER	MODEL	REMARKS	
										BHP (NOTE E)	MHP (NOTE E)	VOLT-PHASE	DISCONNECT		CONTROLLER/STARTER				
													BY (NOTE A)	TYPE (NOTE B)					BY (NOTE A)
										BY (NOTE A)	TYPE (NOTE B)	BY (NOTE A)							
EF-1	FOOD PREP	3,025	0.75	18.5	1,067	DIRECT	14.8	ELECTRIC	MFR	0.72	2.0	208-1	MFR	NF	TCC	FV	GREENHECK	CUE-180-VG	NOTE 3
EF-2	SERVERY	3,500	0.75	18.5	1,160	DIRECT	15.8	ELECTRIC	MFR	0.92	2.0	208-1	MFR	NF	TCC	FV	GREENHECK	CUE-180-VG	NOTE 3
EF-3	RESTROOM	3,380	0.75	18.5	1,067	DIRECT	13.8	ELECTRIC	MFR	0.82	2.0	208-1	MFR	NF	TCC	FV	GREENHECK	G-183-VG	NOTE 4
EF-4	CHEMISTRY LAB	4,215	1.389	24.0	834	BELT	12.9	ELECTRIC	MFR	1.36	1.5	208-1	MFR	NF	TCC	FV	GREENHECK	USF-324-10-BH-15	NOTE 1, 2, 5
EF-5	CHEMISTRY LAB	4,215	1.389	24.0	834	BELT	12.9	ELECTRIC	MFR	1.36	1.5	208-1	MFR	NF	TCC	FV	GREENHECK	USF-324-10-BH-15	NOTE 1, 2, 5

NOTES:
 1. ALL EXHAUST AIRFLOW CONTACT SURFACES SHALL BE EPOXY COATED.
 2. REFER TO 5.M4.01 FOR FUME HOOD FAN DETAIL.
 3. REFER TO 5.M7.02 FOR KITCHEN FAN CONTROL DIAGRAM.
 4. REFER TO 10.M7.03 FOR EXHAUST FAN CONTROL - AHU INTERLOCK CONTROL DIAGRAM.
 5. REFER TO 4.M7.01 LAB EXHAUST FAN CONTROL DIAGRAM.

SCHEDULE GENERAL NOTES:

A. DISCONNECT AND CONTROLLER STARTER FURNISHED AND INSTALLED BY:
 MFR = MANUFACTURER
 EC = ELECTRICAL CONTRACTOR.
 B. DISCONNECT TYPE:
 F = FUSED
 NF = NON-FUSED
 VFD = VARIABLE FREQUENCY DRIVE
 C. CONTROLLER STARTER TYPE:
 FV = FULL VOLTAGE
 VFD = VARIABLE FREQUENCY DRIVE
 D. FAN RPM SHALL NOT EXCEED 110% OF SCHEDULED VALUE WITH THE SCHEDULED WHEEL TYPE. SUBSTITUTION OF BI OR BIA FANS FOR FC IS ACCEPTABLE IF EFFICIENCY IS NOT LOWER.
 E. NO EQUIPMENT SHALL BE SELECTED ABOVE 90% OF MOTOR NAME PLATE RATING.
 F. MUST BE WITHIN +/- 10% OF SCHEDULED RPM.
 G. CURB TYPE:
 MFR = STANDARD CURB BY MANUFACTURER
 SAC = SOUND ATTENUATOR CURB

ROOFTOP AIR HANDLING UNIT SCHEDULE

SYMBOL	RTU-1	RTU-2	RTU-3
SERVICE	KITCHEN	CHEMISTRY	CLASS ROOMS
SUPPLY FAN			
CFM	17,325	4,215	41,170
EXTERNAL STATIC PRESSURE	2.1" WC	1.5" WC	3.8" WC
TYPE	AF DW/DI	SWSI AF	DD Plenum
FAN RPM (NOTE D)	1,047	1,102	1,931
BHP (NOTE E)	15.24	2.31	(6) @ 13.89
MHP (NOTE E)	20	3	(6) @ 20
RETURN / OUTSIDE / EXHAUST FAN			
CFM	13,555		40,570
EXTERNAL STATIC PRESSURE	1.00		1.60
TYPE	SWSI AF		DD Plenum
FAN RPM (NOTE D)	551	NA	1,948
BHP (NOTE E)	3.61		(3) @ 14.28
MHP (NOTE E)	5		(3) @ 20
MINIMUM OUTSIDE AIR CFM	3125 (NOTE 6)	3,810	13,015
HEATING COIL - GAS			
EAT °F	-10	-10	-10
LAT °F	55	90	55
TOTAL MBH	500.0	600.0	1,075.0
COOLING COIL - DX			
EAT °F DB	82.4	95	76.8
EAT °F WB	66.8	78	65
MAX. LAT °F DB	54.3	55	55
LAT °F WB	53.6	55	54
TOTAL MBH	820.0	345.0	1,355.0
ENTHALPY RECOVERY WHEEL			
SUMMER OA EAT °F DB/WB			95/75
SUMMER RA EAT °F DB/WB			75/63.5
SUMMER LAT °F DB/WB			80.3/67.7
WINTER OA EAT °F DB/WB			-10/-11
WINTER RA EAT °F DB/WB			70/52.8
WINTER LAT °F DB/WB			37.6/33.5
SUMMER EFFECTIVENESS			0.66
WINTER EFFECTIVENESS			0.60
MAX. COMBINED A.P.D. IN W.C. (SUPPLY/EXHAUST) WHEEL MOTOR			0.73/0.73
DISCONNECT BY (NOTE A)			MFR
DISCONNECT TYPE (NOTE B)			VFD
CONTROLLER/STARTER BY (NOTE A)			MFR
CONTROLLER/STARTER TYPE (NOTE C)			VFD
FILTER			
TYPE - PRE	2"-30%	2"-30%	2"-30%
TYPE - FINAL	12"-MERV14	4"-MERV13	12"-MERV13
VELOCITY (FPM)	433.1	156.1	210
A.P.D. IN W.C. FILTER CLEAN/DIRTY	0.76	0.12	0.1
ROOF CURB (NOTE G)	SAC BY MFR	SAC BY MFR	SAC BY MFR
ELECTRICAL			
VOLT-PHASE	460-3	460-3	460-3
FLA	162	50	395
MCA	175	57	404.00
MOCP AMPS	200	70	450
DISCONNECT BY (NOTE A)	MFR	MFR	MFR
DISCONNECT TYPE (NOTE B)	VFD	VFD	VFD
CONTROLLER/STARTER BY (NOTE A)	MFR	MFR	MFR
CONTROLLER/STARTER TYPE (NOTE C)	VFD	VFD	VFD
MINIMUM SCCR	10 kAIC	10 kAIC	10 kAIC
EERIEER	9.7/14.7	9.9/17.5	11.3/17.63
MANUFACTURER	DAIKIN	DAIKIN	ANNEX AIR
MODEL NUMBER	RPS074D	DPS028A	ERP
REMARKS	NOTE 1,2,3,4,7	NOTE 1,2,3,5,7	NOTE 1,2,3,4,7

NOTES:
 1. LAT LISTED IS AT DISCHARGE OF RTU.
 2. PROVIDE SHAFT GROUNDING AS REQUIRED IN THE MOTOR SPECIFICATION 23 05 13.
 3. THE CONDENSATE DRAIN ASSOCIATED WITH THE COOLING COIL AND GAS FURNACE SHALL BE HEAT TRACED.
 4. REFER TO M7.00 FOR ASSOCIATED CONTROL DIAGRAMS.
 5. REFER TO M7.01 FOR ASSOCIATED CONTROL DIAGRAMS.
 6. THE RTU SHALL BE CAPABLE OF ACCOMMODATING THE OA CFM

TERMINAL AIR BOX SCHEDULE - SINGLE DUCT REHEAT (FIRST FLOOR)

SYMBOL	AREA SERVED	CFM		HEATING COIL (NOTES 5 & 6)						MIN. INLET SIZE (IN)	CONTROL TYPE (NOTE 3)	SENSOR TYPE (NOTE 4)	MANUFACTURER	MODEL	REMARKS
		COOLING MAX.	HEATING MAX.	MIN.	EAT °F	LAT °F	EWT °F	MAX. GPM							
100	CORRIDOR 190	695	695	230	55	95	140	2.9	10	B	1	TITUS	DESV	NOTES 1, 2	
101	ADJUNCT OFFICE 1010	610	145	145	55	75	110	1.1	8	A	2	TITUS	DESV	NOTES 1, 2	
102	FACULTY OFFICE 1009	205	115	80	55	95	140	0.8	6	B	2	TITUS	DESV	NOTES 1, 2	
103	FACULTY OFFICE 1007 & 1008	340	160	80	55	95	140	0.8	6	B	2	TITUS	DESV	NOTES 1, 2	
104	FACULTY OFFICE 1005 & 1006	350	150	80	55	95	140	0.8	6	B	2	TITUS	DESV	NOTES 1, 2	
105	CORRIDOR 1108	385	225	80	55	95	140	0.8	6	B	1	TITUS	DESV	NOTES 1, 2	
106	MEETING ROOM 1004	110	80	80	55	75	110	0.6	6	A	2	TITUS	DESV	NOTES 1, 2	
107	OFFICE 1003 & STORAGE 1002	195	85	80	55	75	110	0.6	6	A	2	TITUS	DESV	NOTES 1, 2	
108	BOOKSTORE 1000	945	430	145	55	95	140	1.7	10	B	1	TITUS	DESV	NOTES 1, 2	
109	WOMEN 1105	670	670	670	55	95	140	2.9	8	A	1	TITUS	DESV	NOTES 1, 2	
110	MEN 1103	670	670	670	55	95	140	2.9	8	A	1	TITUS	DESV	NOTES 1, 2	
111	SERVERY 1017	3,500	3,500	1,400	55	95	140	15.1	24X16	C	1	TITUS	DESV	NOTES 1, 2	
112	FOOD PREP 1016	3,025	3,025	1,400	55	95	140	13.1	24X16	C	1	TITUS	DESV	NOTES 1, 2	
113	OFFICE 1014 & RECEIVING 1015	255	205	80	55	75	110	1.1	6	A	1	TITUS	DESV	NOTES 1, 2	
114	POLICE 1011 & INTERROGATION 1012	240	85	80	55	75	110	0.6	6	A	1	TITUS	DESV	NOTES 1, 2	
115	STORAGE 1013	110	80	80	55	95	140	0.8	6	B	1	TITUS	DESV	NOTES 1, 2	
116	MULTIPURPOSE 1019	1,480	595	450	55	95	140	2.1	14	B	1	TITUS	DESV	NOTES 1, 2	
117	DINING 1018	5,540	1,665	1,535	-	-	-	-	30X20	B	1	TITUS	DQCV	NOTES 1, 2	
118	LARGE TESTING ROOM 1043	1,690	630	630	55	95	140	2.3	14	B	1	TITUS	DESV	NOTES 1, 2	
119	TESTING CHECK-IN 1039	380	245	80	55	75	110	1.1	6	A	1	TITUS	DESV	NOTES 1, 2	
120	TUTORING 1036	1,050	365	230	55	95	140	1.3	12	B	1	TITUS	DESV	NOTES 1, 2	
121	SMALL TESTING ROOM 1040	110	80	80	55	95	140	0.8	6	B	1	TITUS	DESV	NOTES 1, 2	
122	SMALL TESTING ROOM 1041 & 1042	330	100	80	55	95	140	0.8	6	B	1	TITUS	DESV	NOTES 1, 2	
123	CAREER SERVICE 1035 & SHARED OFFICE 1037	350	105	80	55	95	140	0.8	6	B	2	TITUS	DESV	NOTES 1, 2	
124	COUNSELLING 1030	625	255	145	55	75	110	1.1	8	A	1	TITUS	DESV	NOTES 1, 2	
125	WORKROOM 1032 & STORAGE 1031	285	95	80	55	75	110	0.6	6	A	1	TITUS	DESV	NOTES 1, 2	
126	COUNSELLING 1033 & 1034	350	105	80	55	95	140	0.8	6	B	2	TITUS	DESV	NOTES 1, 2	
127	STUDENT SERVICES 1024	475	350	145	55	75	110	1.7	8	A	1	TITUS	DESV	NOTES 1, 2	
128	ADMISSION 1028 & COUNSELLING 1029	350	110	80	55	95	140	0.8	6	B	2	TITUS	DESV	NOTES 1, 2	
129	FINANCIAL 1026 & 1027	350	110	80	55	95	140	0.8	6	B	2	TITUS	DESV	NOTES 1, 2	
130	STUDENT MEETING SPACE 1021 & OFFICE SPACE 1020	500	165	145	55	75	110	1.1	8	A	2	TITUS	DESV	NOTES 1, 2	
131	STUDENT ACTIVITY 1022	185	80	80	55	95	140	0.8	6	A	2	TITUS	DESV	NOTES 1, 2	
132	COMMONS 1101	3,630	1,400	1,400	55	95	140	6	24X16	B	1	TITUS	DQSV	NOTES 1, 2	
133	CORRIDOR LEVEL 1-2 (EAST)	1,695	505	325	55	95	140	1.7	14	B	1	TITUS	DESV	NOTES 1, 2	
134	CORRIDOR (EAST)	1,420	900	325	55	95	140	2.1	14	B	1	TITUS	DESV	NOTES 1, 2	
135	OFFICE	150	80	80	55	95	140	0.8	6	A	1	TITUS	DESV	NOTES 1, 2	
136	MECHANICAL 1111	1,165	585	325	55	95	140	2.5	12	A	1	TITUS	DESV	NOTES 1, 2	
137	LINK 1120	2,340	705	145	55	95	140	2.8	16	B	1	TITUS	DESV	NOTES 1, 2	
138	IT 1106	50	-	50	55	55	-	-	6	D	1	TITUS	DESV	NOTES 1, 2	
139	IT 1115	50	-	50	55	55	-	-	6	D	1	TITUS	DESV	NOTES 1, 2	
140	RECEIVING 1015	350	50	50	55	95	140	0.5	6	A	1	TITUS	DESV	NOTES 1, 2	
141	ELEVATOR CONTROL CLOSET 1113	160	-	0	55	55	-	-	6	D	1	TITUS	DESV	NOTES 1, 2	

- NOTES:**
- NEITHER RADIATED NOR DISCHARGE SOUND LEVELS SHALL EXCEED NC 35 AT 1.5" INLET STATIC PRESSURE WHEN TESTED PER AHRI STANDARD 885-2008 USING 5/8" 20-LB DENSITY MINERAL FIBER CEILING TILE.
 - TOTAL AIR PRESSURE DROP OF TAB AND REHEAT COIL SHALL NOT EXCEED 0.50" WC.
 - SEE SPECIFICATION SECTION 23 09 00 AND 4/M7.03, 5/M7.03, 6/M7.03 & 7/M7.03 FOR DESCRIPTION OF CONTROL TYPES.
 - SENSOR TYPES: 1 - SENSOR ONLY; 2 - SENSOR WITH ADJUSTMENT
 - HEATING COILS BASED ON HEATING AIR FLOW. WATER PRESSURE DROP OF REHEAT COILS SHALL NOT EXCEED 5'. PROVIDE REHEAT COILS SEPARATE FROM BOXES IF REQUIRED TO MEET WATER PRESSURE DROP REQUIREMENTS.
 - HEATING COIL SELECTION SHALL BE BASED ON A FIXED LEAVING AIR TEMPERATURE AND VARIABLE FLOW (GPM). PROVIDE FINAL MAXIMUM FLOW RATE (GPM) TO TEST AND BALANCE & TEMPERATURE CONTROLS CONTRACTORS.

UNIT HEATER SCHEDULE - HOT WATER

SYMBOL	SERVICE	TYPE	CFM	MBH	GPM	EWT °F	LWT °F	W.P.D. FT. HEAD	ELECTRICAL						CONTROL	MANUFACTURER	MODEL	REMARKS
									HP	RPM	VOLT-PHASE	DISCONNECT		CONTROLLER/STARTER				
												BY (NOTE A)	BY (NOTE B)					
UH-1	MECHANICAL 1111	HORIZONTAL	395	7.45	0.8	140	120	0.010	0.02145	1,550	120-1	E.C.	NF	E.C.	TCC	VULCAN	HV-18	NOTE 1
UH-2	MECHANICAL 1111	HORIZONTAL	395	7.45	0.8	140	120	0.010	0.02145	1,550	120-1	E.C.	NF	E.C.	TCC	VULCAN	HV-18	NOTE 1
UH-3	RECEIVING 1015	HORIZONTAL	380	7.8	0.8	140	120	0.014	0.02145	1,350	120-1	E.C.	NF	E.C.	TCC	VULCAN	HV-24	NOTE 1
UH-4	ELECTRICAL 1112	HORIZONTAL	395	7.45	0.8	140	120	0.010	0.02145	1,550	120-1	E.C.	NF	E.C.	TCC	VULCAN	HV-18	NOTE 1
UH-5	EMERGENCY ELEC 1114	HORIZONTAL	395	7.45	0.8	140	120	0.010	0.02145	1,550	120-1	E.C.	NF	E.C.	TCC	VULCAN	HV-18	NOTE 1

- NOTES:**
- REFER TO 6/M7.01 FOR CONTROL DIAGRAM.
 - WALL MOUNTED.
 - INDOOR UNITS RECEIVE POWER FROM OUTDOOR UNITS THROUGH FIELD-SUPPLIED INTERCONNECTED WIRING.

COMPUTER ROOM UNIT SCHEDULE - DIRECT EXPANSION

SYMBOL	SERVICE	CFM	COIL TYPE & REFRIGERANT	REFRIGERANT COOLING COIL			MBH	SENSIBLE	TYPE	FILTERS	ELECTRICAL				MANUFACTURER	MODEL	REMARKS		
				EAT °F	FWB °F	TOTAL					VOLT-PHASE	FLA/FLA	MCA	DISCONNECT				CONTROLLER/STARTER	
				BY (NOTE A)	BY (NOTE B)	BY (NOTE A)								BY (NOTE B)					
CRU-1	IT 1106	399	R410A	80	67	9.0	7.38	MERV 8	208-1	0.76	1.0	MFR	MFR	MITSUBISHI	MSV-GE09NA	NOTE 1, 2			
CRU-2	IT 1115	533	R410A	80	67	14.0	11.2	MERV 8	208-1	0.76	1.0	MFR	MFR	MITSUBISHI	MSV-GE19NA	NOTE 1, 2			

- NOTES:**
- REFER TO 4/M7.01 FOR CONTROL DIAGRAM.
 - WALL MOUNTED.
 - INDOOR UNITS RECEIVE POWER FROM OUTDOOR UNITS THROUGH FIELD-SUPPLIED INTERCONNECTED WIRING.

CONDENSING UNIT SCHEDULE

SYMBOL	SERVICE	NOMINAL DESIGN TONS	REFRIGERANT	AMBIENT TEMP. °F	VOLT-PHASE	HP	FLA	ELECTRICAL		CONTROLLER/STARTER	MANUFACTURER	MODEL	REMARKS
								BY (NOTE A)	BY (NOTE B)				
								BY (NOTE A)	BY (NOTE B)				
CU-1	IT 1106	0.75	R410A	95	208-1	0.885	0.50	MFR	MFR	NOTE 1	MITSUBISHI	MUY-GE09NA	NOTE 1, 2
CU-2	IT 1115	1.5	R410A	95	208-1	1.448	0.50	MFR	MFR	NOTE 1	MITSUBISHI	MUY-GE19NA	NOTE 1, 2

- NOTES:**
- REFER TO 1/M7.02 AND SPECIFICATION SECTION 15785 FOR MORE INFORMATION.
 - PROVIDE WITH LOW AMBIENT KIT.

TERMINAL AIR BOX SCHEDULE - SINGLE DUCT REHEAT (SECOND FLOOR)

SYMBOL	AREA SERVED	CFM		HEATING COIL (NOTES 5 & 6)						MIN. INLET SIZE (IN)	CONTROL TYPE (NOTE 3)	SENSOR TYPE (NOTE 4)	MANUFACTURER	MODEL	REMARKS
		COOLING MAX.	HEATING MAX.	MIN.	EAT °F	LAT °F	EWT °F	MAX. GPM							
200	CORRIDOR 2106 (WEST)	545	405	230	55	75	110	1.7	8	B	1	TITUS	DESV	NOTES 1, 2	
201	CLASSROOM 2002	1,055	390	325	55	95	140	1.4	12	B	1	TITUS	DESV	NOTES 1, 2	
202	CLASSROOM 2001	900	390	230	55	95	140	1.7	10	B	1	TITUS	DESV	NOTES 1, 2	
203	CLASSROOM 2000	900	390	230	55	95	140	1.7	10	B	1	TITUS	DESV	NOTES 1, 2	
204	WOMEN 2104	720	720	720	55	95	140	3.1	10	A	1	TITUS	DESV	NOTES 1, 2	
205	MEN 2102	670	670	670	55	95	140	2.9	10	A	1	TITUS	DESV	NOTES 1, 2	
206	CLASSROOM 2003	1,165	400	325	55	95	140	1.5	12	B	1	TITUS	DESV	NOTES 1, 2	
207	CLASSROOM 2004	1,165	400	325	55	95	140	1.5	12	B	1	TITUS	DESV	NOTES 1, 2	
208	CLASSROOM 2005	1,165	400	325	55	95	140	1.5	12	B	1	TITUS	DESV	NOTES 1, 2	
209	CLASSROOM 2006	1,165	400	325	55	95	140	1.5	12	B	1	TITUS	DESV	NOTES 1, 2	
210	CORRIDOR 2106 (WEST)	900	405	230	55	95	140	1.7	10	B	1	TITUS	DESV	NOTES 1, 2	
211	CLASSROOM 2007	1,165	400	325	55	95	140	1.5	12	B	1	TITUS	DESV	NOTES 1, 2	
212	CORRIDOR 2106 (LOUNGE)	775	535	230	55	95	140	1.7	10	B	1	TITUS	DESV	NOTES 1, 2	
213	COMPUTER LAB 2017	2,310	695	580	55	95	140	2.7	16	B	1	TITUS	DESV	NOTES 1, 2	
214	TSS OFFICE 2014 & PRINTING 2015	450	140	95	55	75	110	0.60	8	A	1	TITUS	DESV	NOTES 1, 2	
215	REPAIR SPACE 2016	185	80	80	55	95	140	0.8	6	B	1	TITUS	DESV	NOTES 1, 2	
216	CORRIDOR 2106 (EAST)	2,030	730	580	55	95	140	3	16	B	1	TITUS	DESV	NOTES 1, 2	
217	COMPUTER LAB 2013	2,265	695	580	55	95	140	2.6	16	B	1	TITUS	DESV	NOTES 1, 2	
218	PHYSICS PREP 2009	140	140	80	55	75	110	1.1	6	A	1	TITUS	DESV	NOTES 1, 2	
219	PHYSICS LAB 2008	1,360	530	325	55	95	140	1.8	14	B	1	TITUS	DESV	NOTES 1, 2	
220	CHEMISTRY LAB 2012	2,440	2,440	2,440	55	95	140	7	16	A	1	TITUS	DESV	NOTES 1, 2	
221	CHEM STORAGE 2011	215	215	215	55	95	140	0.8	6	A	1	TITUS	DESV	NOTES 1, 2	
222	CHEM PREP 2010	1,155	1,155	1,155	55	95	140	3.2	14	B	1	TITUS	DESV	NOTES 1, 2	
223	ELEC 2108	150	-	50	55	55	-	-	6	D	1	TITUS	DESV	NOTES 1, 2	
224	CORRIDOR 2106 (EAST)	405	405	405	55	95	140	1.75	14	B	1	TITUS	DESV	NOTES 1, 2	
225	TSS OFFICE 2014	110	50	50	55	75	110	0.5	6	A	1	TITUS	DESV	NOTES 1, 2	



ARCHITECT OF RECORD
DEMIONA KEMPER ARCHITECTS
 125 N. HALSTED STREET, SUITE 301
 CHICAGO, IL 60661
 P: 312.496.0000

STRUCTURAL AND MEP/FP ENGINEERING
KJWW ENGINEERING CONSULTANTS
 1100 WARRENVILLE RD., SUITE 400W
 NAPERVILLE, IL 60563
 P: 630.527.2320

FOOD SERVICE CONSULTANT
CINI LITTLE INTERNATIONAL, INC.
 200 E. HOWARD AVE., SUITE 212
 DES PLAINES, IL 60018
 P: 847.298.0088

JOLIET JUNIOR COLLEGE
ROMEIOVILLE CAMPUS EXPANSION
 1125 135th ST. ROMEIOVILLE, IL 60446
 DKA PROJECT NO: 14-005

KEY PLAN:

SHEET STATUS: 9/21/15
ISSUED FOR CONSTRUCTION

NO.	DESCRIPTION:	DATE:

SHEET TITLE:
MECHANICAL SCHEDULES

SHEET NUMBER:
M5.02

SYMBOL	SERVICE	SIZE L x H (IN.)	COOLING CFM	HEATING CFM	FACE VELOCITY (FPM)	EAT	LAT	TOTAL MBH	A.P.D. IN. W.C. (NOTE 3)	EWT °F	LWT °F	GPM	W.P.D. FT. HEAD	CONTROL TYPE (NOTE 1)	SENSOR TYPE (NOTE 2)	REMARKS
HC-101	DINING 101B	58 x 30	5540	1665	500	55	95	71.9	0.5	140	120	2.9	10	B	1	NOTE 1, 2, 3

- NOTES:**
 1. REFER TO 5M7.02 FOR CONDENSING HOT WATER BOILER CONTROL DIAGRAM.
 2. SENSOR TYPE 1 - SENSOR ONLY.
 3. THE SCHEDULED AIR PRESSURE DROP LIMIT IS BASED ON COOLING CFM.

SYMBOL	SERVICE	MBH	GPM	CABINET (NOTE 5)			MOUNTING	AVERAGE WATER TEMP. °F	MANUFACTURER	MODEL	REMARKS	
				LENGTH (FT)	HEIGHT (IN)	DEPTH (IN)						
RAD-101A	CORRIDOR (WEST) FIRST FLOOR	6.9	0.7	812	9"	2.8	4.8	PEDESTAL	170	RUNTAL	R3F-1	NOTE 1,2,3,5
RAD-101B	CORRIDOR (WEST) FIRST FLOOR	3.1	0.5	1258	3"	5.7	4.8	PEDESTAL	170	RUNTAL	R3F-2	NOTE 1,2,3,5
RAD-101C	CORRIDOR (WEST) FIRST FLOOR	4.5	0.5	812	6"	2.8	4.8	PEDESTAL	170	RUNTAL	R3F-1	NOTE 1,2,3,5
RAD-102A	COMMONS 1101	38	3.8	1607	24"	8.6	4.8	PEDESTAL	170	RUNTAL	R3F-3	NOTE 1,2,3,5
RAD-102B	COMMONS 1101	23	2.3	780	29.5"	5.7	4.8	WALL	170	RUNTAL	R2F-2	NOTE 1,3
RAD-102C	COMMONS 1101	16	1.6	762	21.5"	5.7	4.8	WALL	170	RUNTAL	R2F-2	NOTE 1,3
RAD-102D	COMMONS 1101	23	2.3	780	29.5"	11.5	1.6	WALL	170	RUNTAL	UFLT-4	NOTE 1,3
RAD-103A	DINING 101B	14.0	1.5	812	17"11"	2.8	4.8	PEDESTAL	170	RUNTAL	R3F-1	NOTE 1,2,3,5
RAD-103B	DINING 1017	29.4	3.0	812	36"10"	2.8	4.8	PEDESTAL	170	RUNTAL	R3F-1	NOTE 1,2,3,5,7
RAD-103C	DINING 101B	19.3	2.0	812	27"	2.8	4.8	PEDESTAL	170	RUNTAL	R3F-1	NOTE 1,2,3,5
RAD-103D	DINING 101B	28.0	2.9	812	35"	2.8	4.8	PEDESTAL	170	RUNTAL	R3F-1	NOTE 1,2,3,5,7
RAD-104A	CORRIDOR (EAST) FIRST FLOOR	13.8	1.4	1258	11"8"	5.7	4.8	PEDESTAL	170	RUNTAL	R3F-2	NOTE 1,2,3,5
RAD-104B	CORRIDOR (EAST) FIRST FLOOR	32.6	3.3	1258	26"5"	5.7	4.8	PEDESTAL	170	RUNTAL	R3F-2	NOTE 1,2,3,5
RAD-104C	CORRIDOR (EAST) FIRST FLOOR	14.1	1.5	812	17"11"	2.8	4.8	PEDESTAL	170	RUNTAL	R3F-1	NOTE 1,2,3,5
RAD-105A	CORRIDOR (EAST) FIRST FLOOR	2.8	0.5	812	4"	2.8	4.8	PEDESTAL	170	RUNTAL	R3F-1	NOTE 1,2,3,5
RAD-105B	CORRIDOR (EAST) FIRST FLOOR	2.8	0.5	812	4"	2.8	4.8	PEDESTAL	170	RUNTAL	R3F-1	NOTE 1,2,3,5
RAD-105C	CORRIDOR (EAST) FIRST FLOOR	4.4	0.5	1258	4"	5.7	4.8	PEDESTAL	170	RUNTAL	R3F-2	NOTE 1,2,3,5
RAD-105D	CORRIDOR (EAST) FIRST FLOOR	12.8	1.3	1258	10"8"	5.7	4.8	PEDESTAL	170	RUNTAL	R3F-2	NOTE 1,2,3,5
RAD-105E	CORRIDOR (EAST) FIRST FLOOR	7.4	0.8	1258	6"5"	5.7	4.8	PEDESTAL	170	RUNTAL	R3F-2	NOTE 1,2,3,5
RAD-105F	CORRIDOR (EAST) FIRST FLOOR	1.5	0.5	812	2"5"	2.8	4.8	PEDESTAL	170	RUNTAL	R3F-1	NOTE 1,2,3
RAD-106	MULTIPURPOSE 1019	14.6	1.5	542	27"3"	5.7	1.6	PEDESTAL	170	RUNTAL	UFLT-2	NOTE 1,2,3
RAD-201A	CORRIDOR (WEST) SECOND FLOOR	2.8	0.5	812	4"	2.8	4.8	PEDESTAL	170	RUNTAL	R3F-1	NOTE 1,2,3,4,5
RAD-201B	CORRIDOR (WEST) SECOND FLOOR	7.3	0.8	812	9"9"	2.8	4.8	PEDESTAL	170	RUNTAL	R3F-1	NOTE 1,2,3,4,5
RAD-201C	CORRIDOR (WEST) SECOND FLOOR	5.0	0.6	812	6"10"	2.8	4.8	PEDESTAL	170	RUNTAL	R3F-1	NOTE 1,2,3,4,5
RAD-201D	CORRIDOR (WEST) SECOND FLOOR	6.9	0.7	812	9"	2.8	4.8	PEDESTAL	170	RUNTAL	R3F-1	NOTE 1,2,3,5
RAD-201E	CORRIDOR (WEST) SECOND FLOOR	2.0	0.5	812	3"	2.8	4.8	PEDESTAL	170	RUNTAL	R3F-1	NOTE 1,2,3,5
RAD-201F	CORRIDOR (WEST) SECOND FLOOR	6.9	0.7	1258	6"	5.7	4.8	PEDESTAL	170	RUNTAL	R3F-2	NOTE 1,2,3,5
RAD-202	CORRIDOR SECOND FLOOR (LOUNGE)	10.1	1.1	340	29.5"	2.8	1.6	PEDESTAL	170	RUNTAL	UFLT-1	NOTE 1,2,3
RAD-203A	CORRIDOR SECOND FLOOR (EAST)	8.8	0.9	1607	6"	8.6	4.8	PEDESTAL	170	RUNTAL	R3F-3	NOTE 1,2,3,5
RAD-203B	CORRIDOR SECOND FLOOR (EAST)	8.8	0.9	1607	6"	8.6	4.8	PEDESTAL	170	RUNTAL	R3F-3	NOTE 1,2,3,5
RAD-203C	CORRIDOR SECOND FLOOR (EAST)	8.8	0.9	1607	6"	8.6	4.8	PEDESTAL	170	RUNTAL	R3F-3	NOTE 1,2,3,5
RAD-203D	CORRIDOR SECOND FLOOR (EAST)	13.2	1.4	1258	11"2"	5.7	4.8	PEDESTAL	170	RUNTAL	R3F-2	NOTE 1,2,3,5
RAD-203E	CORRIDOR SECOND FLOOR (EAST)	9.3	1.0	1258	7"10"	5.7	4.8	PEDESTAL	170	RUNTAL	R3F-2	NOTE 1,2,3,5
RAD-203F	CORRIDOR SECOND FLOOR (EAST)	3.1	0.5	1258	3"	5.7	4.8	PEDESTAL	170	RUNTAL	R3F-2	NOTE 1,2,3,5

- NOTES:**
 1. REFER TO SPECIFICATION SECTION 23 09 00 AND 5M7.03 FOR DESCRIPTION OF CONTROL TYPE/SENSOR.
 2. HEIGHT DOES NOT INCLUDE PEDESTAL. PEDESTAL SHALL BE 3" TALL.
 3. COLOR SELECTION SHALL BE BY ARCHITECT.
 4. PROVIDE AND INSTALL TRIM PIECES BY MANUFACTURER FOR A SEAMLESS LOOK AT CONNECTIONS BETWEEN MULTIPLE RADIATION PANELS.
 5. PROVIDE MODEL R3F TYPE RADIATORS WITH WELDED ON FALSE BACK WITH IDENTICAL APPEARANCE AS FRONT OF RADIATOR (BY MANUFACTURER).
 6. ALL RADIATORS ARE TO BE PROVIDED AS ONE CONTINUOUS PIECE AS SCHEDULED EXCEPT WHERE NOTED OTHERWISE.
 7. RADIATOR SHALL BE MADE UP OF TWO CONTINUOUS PIECES OF EQUAL LENGTH CONNECTED BY A CENTER TRIM.

SYMBOL	SERVICE	FACE DIM. WxH (IN.)	CENTERLINE LENGTH (IN.)	TYPE	CFM	VELOCITY	MAX. S.P. DROP IN. W.C. (NOTE 1)	ACOUSTICAL PERFORMANCE AT +1000 FPM																MANUFACTURER	MODEL	REMARKS
								MINIMUM DYNAMIC INSERTION LOSS IN DB								MAXIMUM ALLOWABLE GENERATED NOISE IN DB RE 10 ⁻¹² WATTS										
								OCTAVE BAND CENTER FREQUENCY				OCTAVE BAND CENTER FREQUENCY				OCTAVE BAND CENTER FREQUENCY				OCTAVE BAND CENTER FREQUENCY						
DS-1	RTU-1 SUPPLY	50 x 26	144	NOTE 3	18,070	2,002	0.23	12	23	28	38	47	29	23	24	60	51	42	40	42	45	28	31	VIBROACOUSTICS	CUSTOM	NOTE 2, 4
DS-2	RTU-1 RETURN	52 x 26	108	NOTE 3	18,070	1,925	0.15	8	15	30	34	38	28	27	18	57	50	49	47	46	46	39	36	VIBROACOUSTICS	EXRED-XV-FX	NOTE 2, 4
DS-3	RTU-3 SUPPLY	60 x 38	180	NOTE 3	38,125	2,408	0.26	12	29	30	43	49	36	23	21	66	59	50	49	50	53	46	40	VIBROACOUSTICS	CUSTOM	NOTE 2, 4
DS-4	RTU-3 RETURN	78 x 38	102	NOTE 3	38,125	1,852	0.17	8	15	28	32	39	29	26	17	67	58	55	53	52	49	45	VIBROACOUSTICS	RED-XV-FX	NOTE 2, 4	
DS-5	RTU-2 SUPPLY	28 x 14	168	NOTE 3	3,845	1,412	0.21	12	26	31	49	50	32	23	18	57	41	32	30	32	33	15	21	VIBROACOUSTICS	CUSTOM	NOTE 2, 4
DS-6	EF-4 & 5	30 x 18	144	NOTE 3	4,215	1,124	0.10	14	21	34	30	20	18	16	15	49	33	30	27	37	28	<10	VIBROACOUSTICS	CUSTOM	NOTE 2, 5	

- NOTES:**
 1. PRESSURE DROP VALUES LISTED ARE PER ASTM E477-99 TEST PROCEDURE AND DO NOT INCLUDE SYSTEM EFFECTS. MAXIMUM PRESSURE DROP INCLUDING SYSTEM EFFECTS BASED ON LESS THAN IDEAL INLET AND OUTLET FLOW CONDITIONS SHALL BE 0.35.
 2. SILENCERS SHALL BE CONSTRUCTED TO OBTAIN A MAXIMUM MECHANICAL BACKGROUND NOISE OF NC50 WITHIN EACH SPACE.
 3. REFER TO 3M4.03 DUCT SILENCER DETAIL FOR MORE INFORMATION REGARDING DUCT SILENCER GEOMETRY AND DIMENSIONS.
 4. FIBERGLASS CLOTH SEPARATING MEDIA FROM AIRSTREAM.
 5. NO MEDIA "PACKLESS SILENCER."

SYMBOL	SERVICE	MBH	GPM	LENGTH (FT) (NOTE 2)	HEIGHT (IN)	WIDTH (IN)	BTU/FT (NOTE 5)	AVERAGE WATER TEMP. °F	MANUFACTURER	MODEL	REMARKS
RCP-102A	FACULTY OFFICE 1009	5.8	0.6	15	5	24	389	170	AIRTEX	HEF-2	NOTE 1, 3, 4
RCP-102B	FACULTY OFFICE 1009	3.1	0.5	8	5	24	389	170	AIRTEX	HEF-2	NOTE 1, 3, 4
RCP-103	FACULTY OFFICE 1008	3.9	0.5	10	5	24	389	170	AIRTEX	HEF-2	NOTE 1, 3, 4
RCP-104	FACULTY OFFICE 1007	3.5	0.5	9	5	24	389	170	AIRTEX	HEF-2	NOTE 1, 3, 4
RCP-105	FACULTY OFFICE 1006	3.9	0.5	10	5	24	389	170	AIRTEX	HEF-2	NOTE 1, 3, 4
RCP-106	FACULTY OFFICE 1005	3.9	0.5	10	5	24	389	170	AIRTEX	HEF-2	NOTE 1, 3, 4
RCP-107A	BOOKSTORE 1000	3.1	0.5	8	5	24	389	170	AIRTEX	HEF-2	NOTE 1, 3, 4
RCP-107B	BOOKSTORE 1000	11.5	1.2	29.5	5	24	389	170	AIRTEX	HEF-2	NOTE 1, 3, 4
RCP-108	STORAGE 1013	4.0	0.5	10.33	5	24	389	170	AIRTEX	HEF-2	NOTE 1, 3, 4
RCP-109	LARGE TESTING ROOM 1043	9.7	1.0	25	5	24	389	170	AIRTEX	HEF-2	NOTE 1, 3, 4
RCP-110	SMALL TESTING ROOM 1042	1.9	0.5	5	5	24	389	170	AIRTEX	HEF-2	NOTE 1, 3, 4
RCP-111	SMALL TESTING ROOM 1041	2.7	0.5	7	5	24	389	170	AIRTEX	HEF-2	NOTE 1, 3, 4
RCP-112	SMALL TESTING ROOM 1040	2.7	0.5	7	5	24	389	170	AIRTEX	HEF-2	NOTE 1, 3, 4
RCP-113A	TUTORING 1036	4.1	0.5	10.5	5	24	389	170	AIRTEX	HEF-2	NOTE 1, 3, 4
RCP-113B	TUTORING 1036	2.3	0.5	6	5	24	389	170	AIRTEX	HEF-2	NOTE 1, 3, 4
RCP-114	SHARED OFFICE 1037	3.7	0.5	9.5	5	24	389	170	AIRTEX	HEF-2	NOTE 1, 3, 4
RCP-115	CARRIER SERVICES 1035	3.3	0.5	8.5	5	24	389	170	AIRTEX	HEF-2	NOTE 1, 3, 4
RCP-116	COUNSELLING 1034	3.3	0.5	8.5	5	24	389	170	AIRTEX	HEF-2	NOTE 1, 3, 4
RCP-117	COUNSELLING 1033	3.1	0.5	8	5	24	389	170	AIRTEX	HEF-2	NOTE 1, 3, 4
RCP-118	COUNSELLING 1029	3.1	0.5	8	5	24	389	170	AIRTEX	HEF-2	NOTE 1, 3, 4
RCP-119	ADMISSION 1028	3.1	0.5	8	5	24	389	170	AIRTEX	HEF-2	NOTE 1, 3, 4
RCP-120	FINANCIAL AID 1027	3.1	0.5	8	5	24	389	170	AIRTEX	HEF-2	NOTE 1, 3, 4
RCP-121	FINANCIAL AID 1026	3.3	0.5	8.5	5	24	389	170	AIRTEX	HEF-2	NOTE 1, 3, 4
RCP-122	STUDENT ACTIVITY 1022	4.7	0.5	12	5	24	389	170	AIRTEX	HEF-2	NOTE 1, 3, 4
RCP-123A	LINK 1120	2.1	0.5	5.5	5	24	389	170	AIRTEX	HEF-2	NOTE 1, 3, 4, 6
RCP-123B	LINK 1120	5.5	0.6	14.25	5	24	389	170	AIRTEX	HEF-2	NOTE 1, 3, 4, 6
RCP-123C	LINK 1120	5.5	0.6	14.25	5	24	389	170	AIRTEX	HEF-2	NOTE 1, 3, 4, 6
RCP-123D	LINK 1120	2.3	0.5	6	5	24	389	170	AIRTEX	HEF-2	NOTE 1, 3, 4, 6
RCP-123E	LINK 1120	2.3	0.5	6	5	24	389	170	AIRTEX	HEF-2	NOTE 1, 3, 4, 6
RCP-123F	LINK 1120	5.5	0.6	14.25	5	24	389	170	AIRTEX	HEF-2	NOTE 1, 3, 4, 6
RCP-123G	LINK 1120	5.5	0.6	14.25	5	24	389	170	AIRTEX	HEF-2	NOTE 1, 3, 4, 6
RCP-123H	LINK 1120	2.1	0.5	5.5	5	24	389	170	AIRTEX	HEF-2	NOTE 1, 3, 4, 6

- NOTES:**
 1. SEE SPECIFICATION SECTION 23 82 00 FOR ADDITIONAL INFORMATION.
 2. EXACT LENGTH TO BE FIELD VERIFIED IN FIELD TO PROVIDE WALL-TO-WALL RADIATION. PROVIDE MANUFACTURER BLANKS AT ALL LOCATIONS WHERE A COLUMN OR OTHER ARCH



ARCHITECT OF RECORD
DEMONICA KEMPER ARCHITECTS
 125 N. HALSTED STREET, SUITE 301
 CHICAGO, IL 60661
 P: 312.496.0000

STRUCTURAL AND MEP/FP ENGINEERING
KJWW ENGINEERING CONSULTANTS
 1100 WARRENVILLE RD., SUITE 400W
 NAPERVILLE, IL 60563
 P: 630.527.2320

FOOD SERVICE CONSULTANT
CINI LITTLE INTERNATIONAL, INC.
 200 E. HOWARD AVE., SUITE 212
 DES PLAINES, IL 60018
 P: 847.298.0088

JOLIET JUNIOR COLLEGE
ROMEORVILLE CAMPUS EXPANSION
 1125 135th ST. ROMEORVILLE, IL 60446
 DKA PROJECT NO: 14-005

KEY PLAN:

SHEET STATUS: 9/21/15
ISSUED FOR CONSTRUCTION

NO.	DESCRIPTION:	DATE:

SHEET TITLE:
HEATING WATER FLOW DIAGRAM

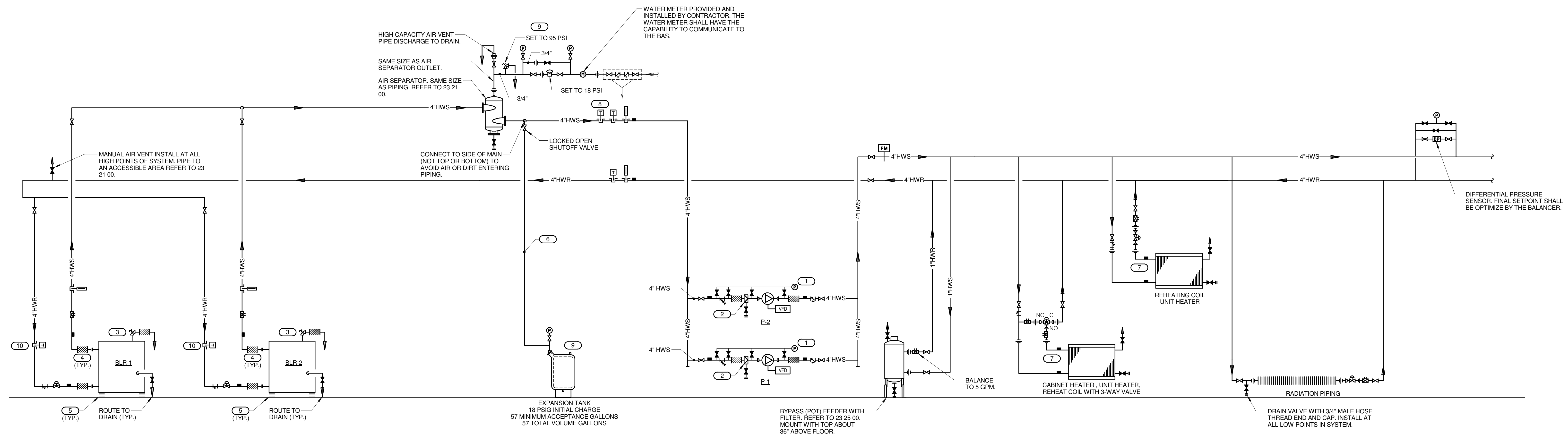
SHEET NUMBER:
M6.00

HEATING WATER FLOW DIAGRAM SYMBOL LIST

SYMBOL:	DESCRIPTION:
	HEATING WATER RETURN
	HEATING WATER SUPPLY
	COLD WATER - POTABLE
	PITCH PIPE IN DIRECTION
	DIRECTION OF FLOW IN PIPE
	FLEXIBLE CONNECTION
	PRESSURE/TEMPERATURE TEST PLUG
	REDUCER - REFERENCE SPECIFICATION FOR CONCENTRIC/ECCENTRIC AND FOT/FOB
	METER
	SUCTION DIFFUSER (FURNISHED WITH BALL VALVE)
	AUTOMATIC AIR VENT
	MANUAL AIR VENT
	DRAIN VALVE WITH HOSE CONNECTION AND CAP
	TEMPERATURE SENSOR WITH WELL
	THERMOMETER WITH WELL (FILLED TYPE)
	UNION/FLANGE
	SHUTOFF VALVE NORMALLY OPEN
	SHUTOFF VALVE NORMALLY CLOSED
	BALANCING VALVE
	CONTROL VALVE (TWO-WAY)
	CONTROL VALVE (THREE-WAY)
	CHECK VALVE
	SAFETY/RELIEF VALVE
	PRESSURE REDUCING VALVE (LIQUID/GAS)
	'WYE' - STRAINER
	'WYE' - STRAINER W/SHUTOFF VALVE AND HOSE CONNECTION WITH CAP

KEYNOTES

- PRESSURE GAUGE WITH SNUBBER PER SECTION 23 09 13. INSTALL WITH MOUNTING ON WALL, STAND, OR VIBRATION-FREE PIPE ABOVE BRACKET PUMP FLEXIBLE CONNECTOR. INSTALL FLEXIBLE COPPER TUBING TO PIPING CONNECTIONS TO AVOID VIBRATION DAMAGE TO THE GAUGE. PREFERRED CONNECTION LOCATIONS ARE:
 (a) JUST UPSTREAM OF STRAINER
 (b) GAUGE PORT ON SUCTION DIFFUSER OR BETWEEN STRAINER AND PUMP INLET
 (c) GAUGE TAPPING ON PUMP INLET FLANGE
 (d) GAUGE TAPPING ON PUMP OUTLET FLANGE
- REMOVE & RETAIN TEMPORARY STRAINER FROM SUCTION DIFFUSER AT END OF CONSTRUCTION. PROVIDE SUPPORT LEG AS REQUIRED BY MANUFACTURER.
- INSTALL SAFETY RELIEF VALVE PROVIDED BY BOILER MANUFACTURER. PIPE TO DRAIN. SUPPORT SOLIDLY AND INSTALL F02 TO AVOID STRAIN ON THE RELIEF VALVE.
- INSTALL FLEXIBLE CONNECTOR PROVIDED BY BOILER MANUFACTURER. (IF RECOMMENDED BY BOILER MANUFACTURER).
- INSTALL VIBRATION ISOLATORS PROVIDED BY BOILER MANUFACTURER. (IF RECOMMENDED BY MANUFACTURER)
- SIZE PER BLADDER TANK MANUFACTURERS RECOMMENDATIONS BUT NOT SMALLER THAN CONNECTION TO TANK.
- ARRANGE PIPING SO COILS CAN BE REMOVED WITHOUT REMOVING PIPING ABOVE THE UNIONS OR FLANGES.
- TEMPERATURE SENSOR PROVIDED BY BOILER MANUFACTURER, WIRED TO BOILER/BOILER CONTROL PANEL.
- EXPANSION TANK AND RELIEF VALVE ARE SIZED BASED ON THE LOWEST MAX OPERATING PRESSURE OF THE ACCEPTABLE BOILER MANUFACTURERS. IF THE BASIS OF DESIGN BOILER IS SELECTED, COORDINATE THE REVISED SIZING WITH THE ENGINEER.
- PROVIDED BY THE BOILER MANUFACTURER, INSTALLED BY THE CONTRACTOR.



KJWW ENGINEERING CONSULTANTS
 1100 WARRENVILLE ROAD, SUITE 400W
 NAPERVILLE, ILLINOIS 60563
 630.527.2320 FAX: 630.527.2321
 WWW.KJWW.COM
 PROJECT # 14-005-00

KJWW ENGINEERING DESIGN FIRM REGISTRATION #18-08073

KJWW ENGINEERING RESERVES PROPRIETARY RIGHTS, INCLUDING COPYRIGHTS, TO THIS DRAWING AND THE DATA SHOWN THEREON. SAID DRAWING AND/OR DATA ARE THE EXCLUSIVE PROPERTY OF KJWW ENGINEERING AND SHALL NOT BE USED OR REPRODUCED FOR ANY OTHER PROJECT WITHOUT THE EXPRESS WRITTEN APPROVAL AND PARTICIPATION OF KJWW ENGINEERING. © 2015 KJWW, P.C.

REFERENCE SCALE IN INCHES
 0 1 2 3



ARCHITECT OF RECORD
DEMIONA KEMPER ARCHITECTS
 125 N. HALSTED STREET, SUITE 301
 CHICAGO, IL 60661
 P: 312.496.0000

STRUCTURAL AND MEP/FP ENGINEERING
KJWW ENGINEERING CONSULTANTS
 1100 WARRENVILLE RD., SUITE 400W
 NAPERVILLE, IL 60563
 P: 630.527.2320

FOOD SERVICE CONSULTANT
CINI LITTLE INTERNATIONAL, INC.
 200 E. HOWARD AVE., SUITE 212
 DES PLAINES, IL 60018
 P: 847.298.0088

JOLIET JUNIOR COLLEGE
ROMEORVILLE CAMPUS EXPANSION
 1125 135th ST. ROMEORVILLE, IL 60446
 DKA PROJECT NO: 14-005

KEY PLAN:

SHEET STATUS: 9/21/15
ISSUED FOR CONSTRUCTION

NO.	DESCRIPTION:	DATE:

SHEET TITLE:
CONTROL DIAGRAMS

SHEET NUMBER:
M7.01

FAN INTERLOCK SCHEDULE

SYSTEM	INTERLOCKED EXHAUST FANS	REMARKS
RTU-1	NONE	NOTE 1
RTU-2	EF-4, EF-5	NOTE 1
RTU-3	EF-3	NOTE 1

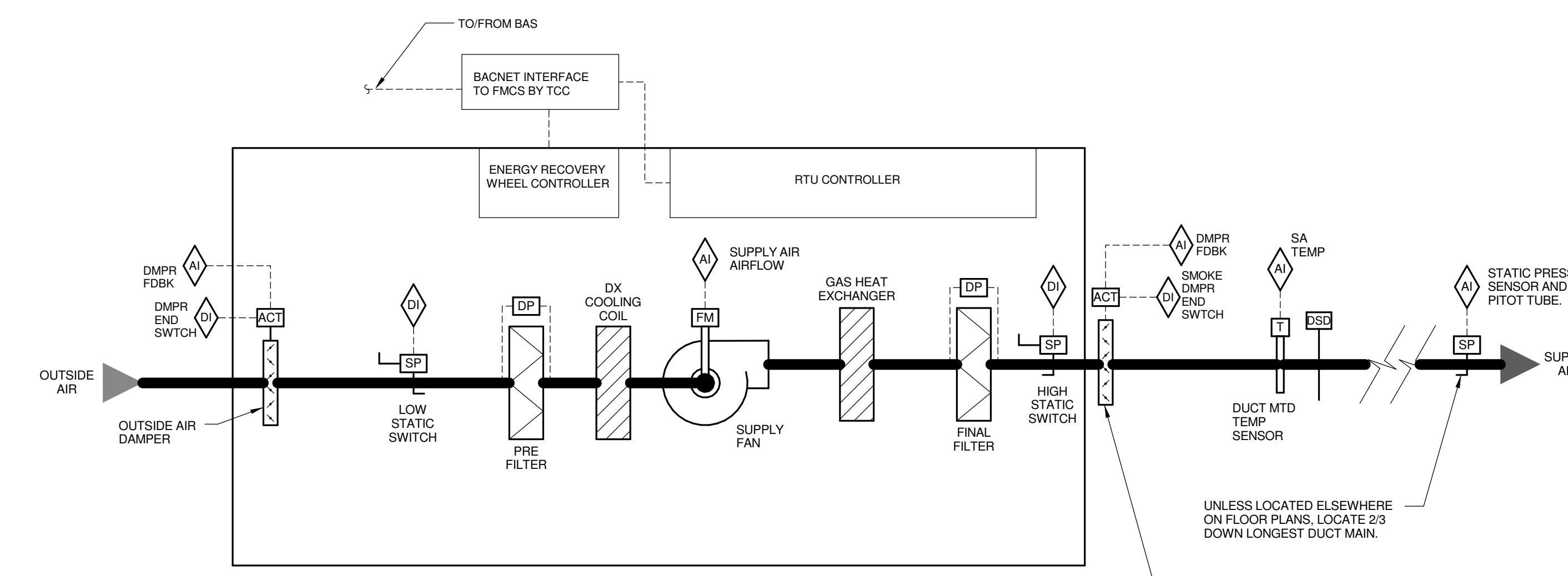
DDC SHALL COMMUNICATE THE FOLLOWING TO THE RTU CONTROLLER:

- DIFFERENTIAL STATIC PRESSURE SETPOINT (SUPPLY) (W.C.)
- DISCHARGE AIR TEMPERATURE SETPOINT (°F)
- BUILDING OCCUPANCY SCHEDULE
- OUTSIDE AIR TEMPERATURE (°F)
- OUTSIDE AIR HUMIDITY (%RH)
- DIRTY FILTER SETPOINT (W.C.)

RTU CONTROLLER SHALL COMMUNICATE THE FOLLOWING TO THE DDC:

- DISCHARGE AIR TEMPERATURE (°F)
- SUPPLY FAN STATUS
- SUPPLY FAN VFD OUTPUT (%)
- SUPPLY AIRFLOW (CFM)
- DIRTY FILTER
- COMPRESSOR STATUS (ON/OFF FOR EACH COMPRESSOR)
- COMPRESSOR RUN TIME (HRS)
- GAS FIRING RATE (%)
- GENERAL ALARM

NOTES:
 1. INTERLOCK EXHAUST FAN OPERATION THROUGH THE BAS WITH RESPECTIVE RTU IN ACCORDANCE WITH RTU SEQUENCE OF OPERATION.



PACKAGE ROOFTOP UNIT SYSTEM DESCRIPTION:
SEQUENCE OF OPERATION:
 THE TCC SHALL EXTEND THE BUILDING AUTOMATION SYSTEM (BAS) NETWORK TO THE RTU UNITARY CONTROLLER PER THE PROTOCOL SPECIFIED IN SECTION 23 09 00. THE TCC SHALL PROVIDE ALL ADDITIONAL CONTROL COMPONENTS REQUIRED TO ACCOMPLISH THE SEQUENCE OF OPERATION LISTED BELOW.

WHEN RTU IS INJECTED TO RUN THE FOLLOWING SHALL OCCUR:

- SMOKE DAMPERS SHALL OPEN.
- AFTER A 30 SECOND DELAY TO ALLOW FOR THE SMOKE DAMPERS OPEN, THE SUPPLY FAN SHALL BE ENABLED TO RUN.
- WHEN THE SUPPLY FAN HAS STARTED THE INTERLOCKED FUME EXHAUST FAN SHALL START AS SHOWN IN THE FAN INTERLOCK SCHEDULE.

BUILDING OCCUPANCY SCHEDULING:
 BAS SHALL BE PROGRAMMED WITH THE FOLLOWING ADJUSTABLE OCCUPANCY SCHEDULE:

MORNING START-UP MODE:	MONDAY THROUGH FRIDAY	5:01AM-6:00AM (ADJ.)
	SATURDAY	7:01AM-8:00AM (ADJ.)
OCCUPIED MODE:	MONDAY THROUGH FRIDAY	6:01AM-9:00PM (ADJ.)
	SATURDAY	8:01AM-12:00PM (ADJ.)
UNOCCUPIED MODE:	MONDAY THROUGH FRIDAY	9:01PM-5:00AM (ADJ.)
	SATURDAY	12:01PM-7:00AM (ADJ.)
	SUNDAY	12:00AM-12:00PM (ADJ.)

SUPPLY FAN CONTROL:
 RTU CONTROLLER SHALL MODULATE THE SIGNAL TO THE SUPPLY FAN VFD AS REQUIRED TO MAINTAIN DUCT STATIC PRESSURE AS MEASURED BY THE STATIC PRESSURE TRANSDUCER. RESET SUPPLY DUCT STATIC PRESSURE SETPOINT AS REQUIRED TO MAINTAIN AT LEAST ONE SUPPLY FAN DAMPER 95% (ADJ.) OPEN. BAS SHALL UTILIZE COMMAND TO ALL SUPPLY TERMINAL AIR BOX POSITIONS TO RESET THE SUPPLY DUCT DIFFERENTIAL STATIC PRESSURE.

DISCHARGE AIR TEMPERATURE CONTROL:
 DISCHARGE AIR TEMPERATURE SHALL BE 55°F (ADJ.). IF THE DISCHARGE AIR TEMPERATURE IS MORE THAN 5°F (ADJ.) ABOVE OR BELOW THE SETPOINT, AND ALARM SHALL BE SENT TO THE OPERATOR INTERFACE.

WHENEVER THE DISCHARGE AIR TEMPERATURE IS ABOVE SETPOINT, THE RTU SHALL ENABLE THE COMPRESSORS AND CYCLE THE COOLING TO MAINTAIN THE DISCHARGE AIR SETPOINT.

WHENEVER THE DISCHARGE AIR TEMPERATURE IS BELOW SETPOINT, THE RTU SHALL ENABLE THE GAS HEATING SYSTEM TO MAINTAIN SETPOINT.

ALARMS, INTERLOCKS AND SAFETIES:
 THE FOLLOWING SAFETIES SHALL BE INSTALLED IN THE FIELD.

- HIGH STATIC SWITCH (WIRED TO SUPPLY FAN)
- LOW STATIC SWITCH (WIRED TO SUPPLY FAN)
- FIRE ALARM RELAY (WIRED TO ALL FANS)
- SUPPLY DUCT SMOKE DETECTOR

SEND AN ALARM TO THE BAS FOR THE FOLLOWING:

- SUPPLY FAN VFD FAULT
- DIRTY FILTERS (WHEN FILTER PRESSURE DROP EXCEEDS 0.6" W.C. (ADJ.))
- IF DISCHARGE AIR TEMPERATURE IS MORE THAN 5°F (ADJ.) ABOVE OR BELOW SETPOINT.
- IF THE OUTSIDE AIRFLOW FALLS 10% BELOW THE SCHEDULED VALUE.
- IF THE FIRE ALARM SYSTEM IS ACTIVATED
- EMERGENCY STOP

WHENEVER RTU IS SHUTDOWN THE BAS SHALL COMMAND THE FOLLOWING TO OCCUR:

- SUPPLY FAN SHALL STOP
- OUTSIDE AIR AND SUPPLY AIR DAMPERS SHALL FULLY CLOSE.
- HEATING AND COOLING SHALL BE DISABLED.

MORNING START-UP OPERATION:

- THE BAS SHALL MEASURE EACH OF THE SPACE TEMPERATURES AND OUTSIDE AIR TEMPERATURE TO DETERMINE THE MINIMUM RUNTIME TO WARM THE SPACES TO THEIR SETPOINT.
- WHEN THE COMPUTED START TIME IS REACHED THE BAS SHALL ENABLE THE RTU.
- RESET ALL SPACE TEMP SETPOINTS TO OCCUPIED SPACE TEMPERATURE SETPOINTS.
- THE RTU SHALL BE DISABLED TO MAINTAIN OCCUPIED SETPOINTS AS DESCRIBED ABOVE.

UNOCCUPIED MODE OPERATION:

- RTU SHALL BE DISABLED. THE BAS SHALL CHANGE ALL OF THE SPACE SETPOINTS TO THE UNOCCUPIED SETPOINTS INDICATED BELOW, AND THE SUPPLY FAN SHALL BE ENABLED TO OPERATE INTERMITTENTLY TO MAINTAIN UNOCCUPIED SETPOINTS.
- WHEN OA TEMP IS >55°F (ADJ.), SETPOINT SHALL BE 85°F (ADJ.).
- WHEN OA TEMP IS <55°F (ADJ.) OR BELOW, THE SETPOINT SHALL BE 55°F (ADJ.).

AIR REPORT GENERATION:
 DDC FMCS SHALL MONITOR THE FOLLOWING POINTS ON 10 MINUTE (ADJ.) INTERVALS WITHIN A SINGLE TREND. THE TREND SHALL RUN FOR A 14 DAY (ADJ.) DURATION AT WHICH POINT THE NEWEST VALUES SHALL AUTOMATICALLY OVERWRITE THE OLDEST VALUES:

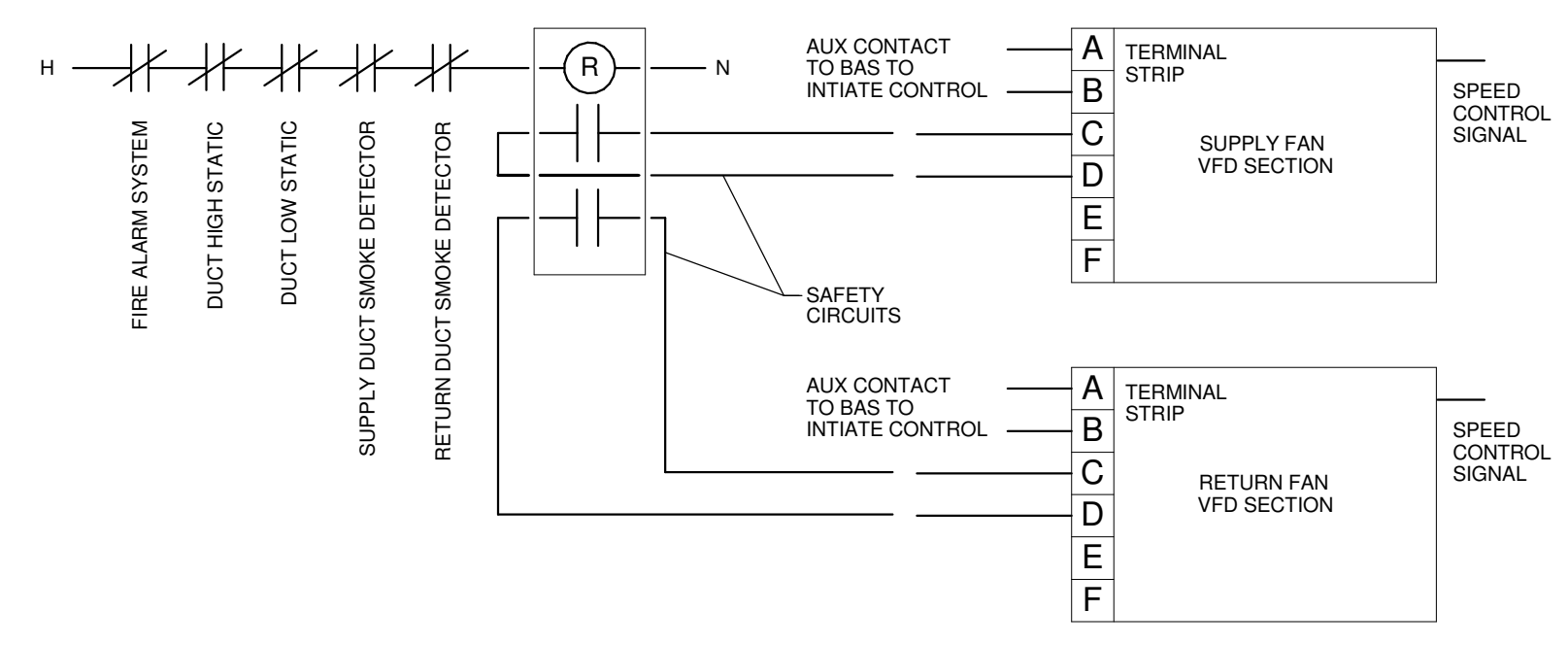
- DATE
- TIME
- GLOBAL OUTSIDE AIR TEMP (°F)
- GLOBAL OUTSIDE AIR DEWPOINT (°F)
- GLOBAL OUTSIDE AIR HUMIDITY (%RH)
- SUPPLY AIRFLOW (CFM)
- SUPPLY AIR TEMP (°F)
- SUPPLY AIR RELATIVE HUMIDITY (%RH)
- FILTER LOADING (INCHES W.C.)
- SUPPLY FAN VFD OUTPUT (% FULL SPEED)
- OUTSIDE AIR DAMPER POSITION (% OPEN)
- COMPRESSOR RUN TIME (EACH) (HRS)

THIS INFORMATION SHALL BE ACCESSIBLE TO VIEW IN EITHER TABULAR OR GRAPHICAL FORM ON THE FMCS OPERATOR WORKSTATION.

ONCE PER MONTH, THE DDC FMCS SHALL RECORD THE LARGEST RTU AIRFLOW WHICH OCCURRED DURING THAT MONTH. THE DATE, TIME, OUTSIDE AIR TEMP (AND ALL OTHER VALUES LISTED ABOVE) THAT COINCIDED WITH THAT EVENT SHALL ALSO BE RECORDED. THIS INFORMATION SHALL BE STORED TO A MEMORY LOCATION ON THE FMCS OPERATOR WORKSTATION THAT IS MAINTAINED (NOT AUTOMATICALLY OVERRITTEN).

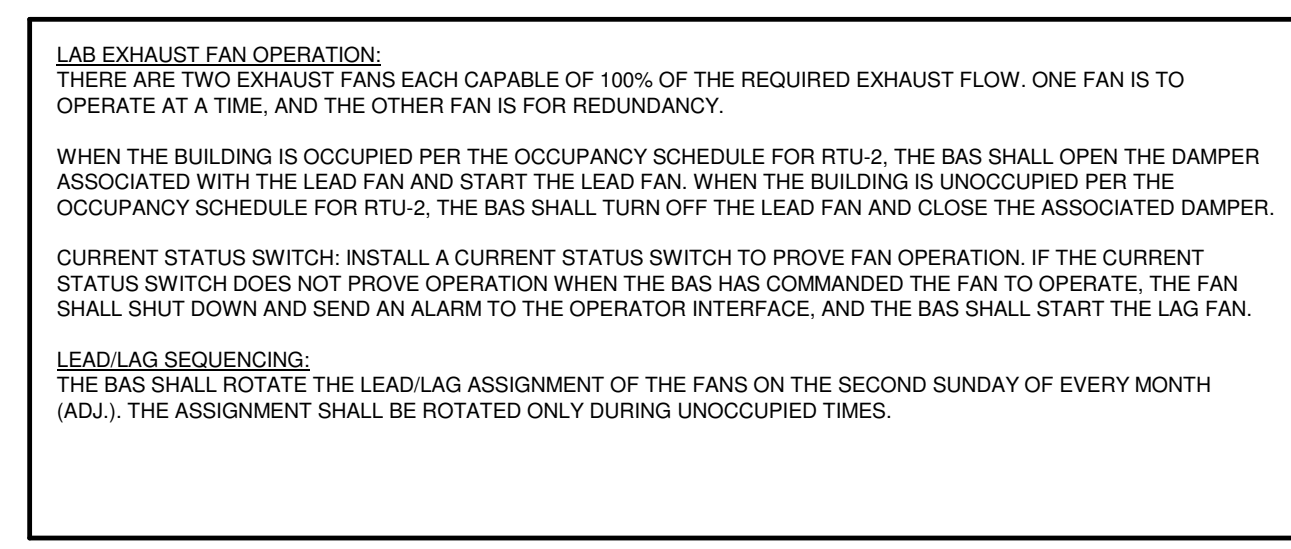
1 ROOFTOP UNIT CONTROL - RTU-2
 NO SCALE

2 ROOFTOP UNIT REPORT GENERATION
 TYPICAL FOR AHU-1



3 SUPPLY & RETURN/EXHAUST FAN VFD CONTROL
 NO SCALE

4 LAB EXHAUST FAN CONTROL
 NO SCALE

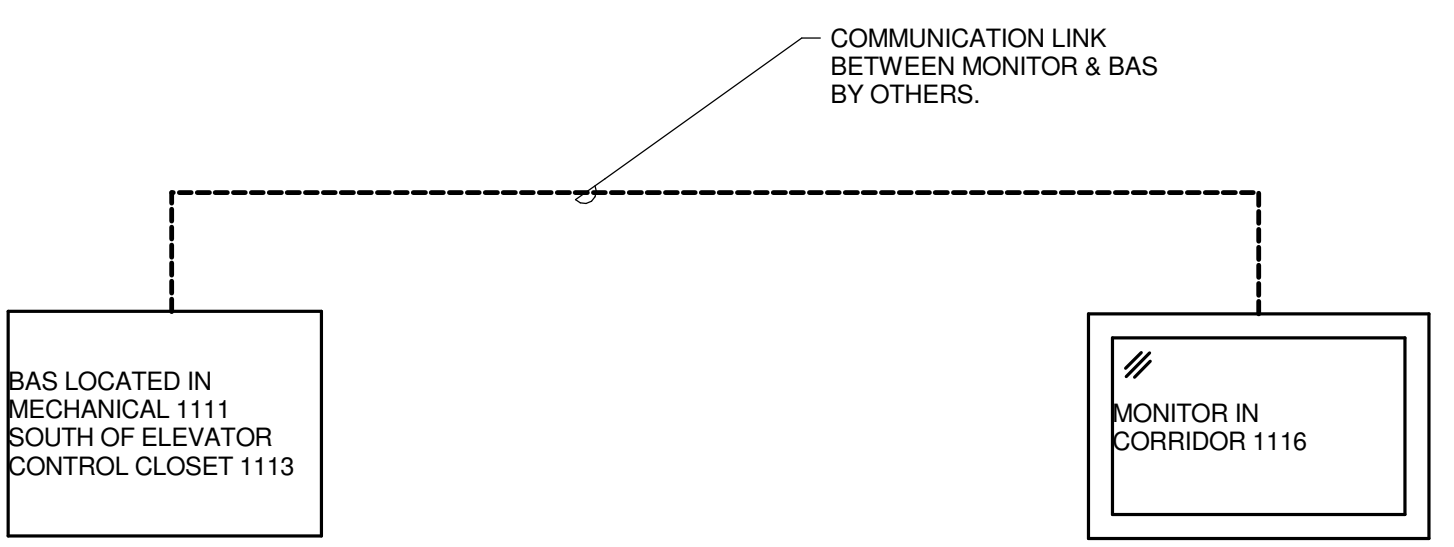


LAB EXHAUST FAN OPERATION:
 THERE ARE TWO EXHAUST FANS EACH CAPABLE OF 100% OF THE REQUIRED EXHAUST FLOW. ONE FAN IS TO OPERATE AT A TIME, AND THE OTHER FAN IS FOR REDUNDANCY.

WHEN THE BUILDING IS OCCUPIED PER THE OCCUPANCY SCHEDULE FOR RTU-2, THE BAS SHALL OPEN THE DAMPER ASSOCIATED WITH THE LEAD FAN AND START THE LEAD FAN. WHEN THE BUILDING IS UNOCCUPIED PER THE OCCUPANCY SCHEDULE FOR RTU-2, THE BAS SHALL TURN OFF THE LEAD FAN AND CLOSE THE ASSOCIATED DAMPER.

CURRENT STATUS SWITCH: INSTALL A CURRENT STATUS SWITCH TO PROVE FAN OPERATION. IF THE CURRENT STATUS SWITCH DOES NOT PROVE OPERATION WHEN THE BAS HAS COMMANDED THE FAN TO OPERATE, THE FAN SHALL SHUT DOWN AND SEND AN ALARM TO THE OPERATOR INTERFACE, AND THE BAS SHALL START THE LAG FAN.

LEADLAG SEQUENCING:
 THE BAS SHALL ROTATE THE LEADLAG ASSIGNMENT OF THE FANS ON THE SECOND SUNDAY OF EVERY MONTH (ADJ.). THE ASSIGNMENT SHALL BE ROTATED ONLY DURING UNOCCUPIED TIMES.



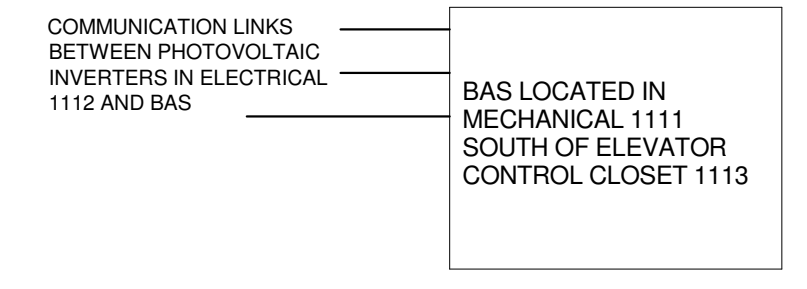
5 SUSTAINABILITY ON DISPLAY
 NO SCALE

THE CONTRACTOR SHALL OUTPUT THE INFORMATION SHOWN BELOW (REFER #7/M7.02 METER MONITORING FOR MORE INFORMATION) SO THAT IT CAN BE SHOWN ON THE DISPLAYS IN CORRIDOR 1116. COORDINATE LOCATION OF THE MONITORS WITH THE ARCHITECTURAL PLANS. COORDINATE ALL MONITOR GRAPHICS WITH OWNER.

- THE FOLLOWING ITEMS SHALL BE DISPLAYED AS REAL-TIME VALUES :
- TOTAL WATER USE (GAL): SUM ALL WATER METERS
 - ELECTRICAL: ELECTRICAL UTILITY METER
 - CURRENT (A)
 - VOLTAGE (V)
 - DEMAND (KW)
 - CONSUMPTION (KWH)
 - PHOTOVOLTAIC SYSTEM:
 - POWER (KW)
 - TOTAL KWH (KWH)
 - KWH TO UTILITY TODAY (KWH)
 - TOTAL KWH TO UTILITY (KWH)
 - TOTAL GAS CONSUMPTION (THERMS): GAS METER
 - TOTAL HEATING WATER CONSUMPTION (MBH): BTU METER
 - TOTAL ENERGY RECOVERED (MBH)
- THIS SHALL BE DISPLAYED FOR RTU-3.
- THE CONTRACTOR SHALL USE THE AIRFLOW AS DETERMINED FROM THE AIRFLOW MEASURING STATION, TEMPERATURE DIFFERENCE ACROSS THE ENERGY RECOVERY DEVICE, AND ENTHALPY DIFFERENCE ACROSS THE ENERGY RECOVERY DEVICE TO DETERMINE THE RECOVERED ENERGY.

- THE BAS SHALL DISPLAY THE MONTHLY CONSUMPTION FOR THE ITEMS LISTED BELOW. THE DISPLAY SHALL SHOW THE PREVIOUS 12 MONTH (ADJ.) CONSUMPTION VALUES.
- TOTAL WATER USE (GAL): SUM ALL WATER METERS
 - ELECTRICAL: ELECTRICAL UTILITY METER
 - CONSUMPTION (KWH)
 - POWER (KW)
 - TOTAL KWH (KWH)
 - TOTAL KWH TO UTILITY (KWH)
 - TOTAL GAS CONSUMPTION (THERMS): GAS METER
 - TOTAL HEATING WATER CONSUMPTION (MBH): BTU METER
 - TOTAL ENERGY RECOVERED (MBH)

6 PHOTOVOLTAIC SYSTEM MONITORING
 TYPICAL FOR AHU-1



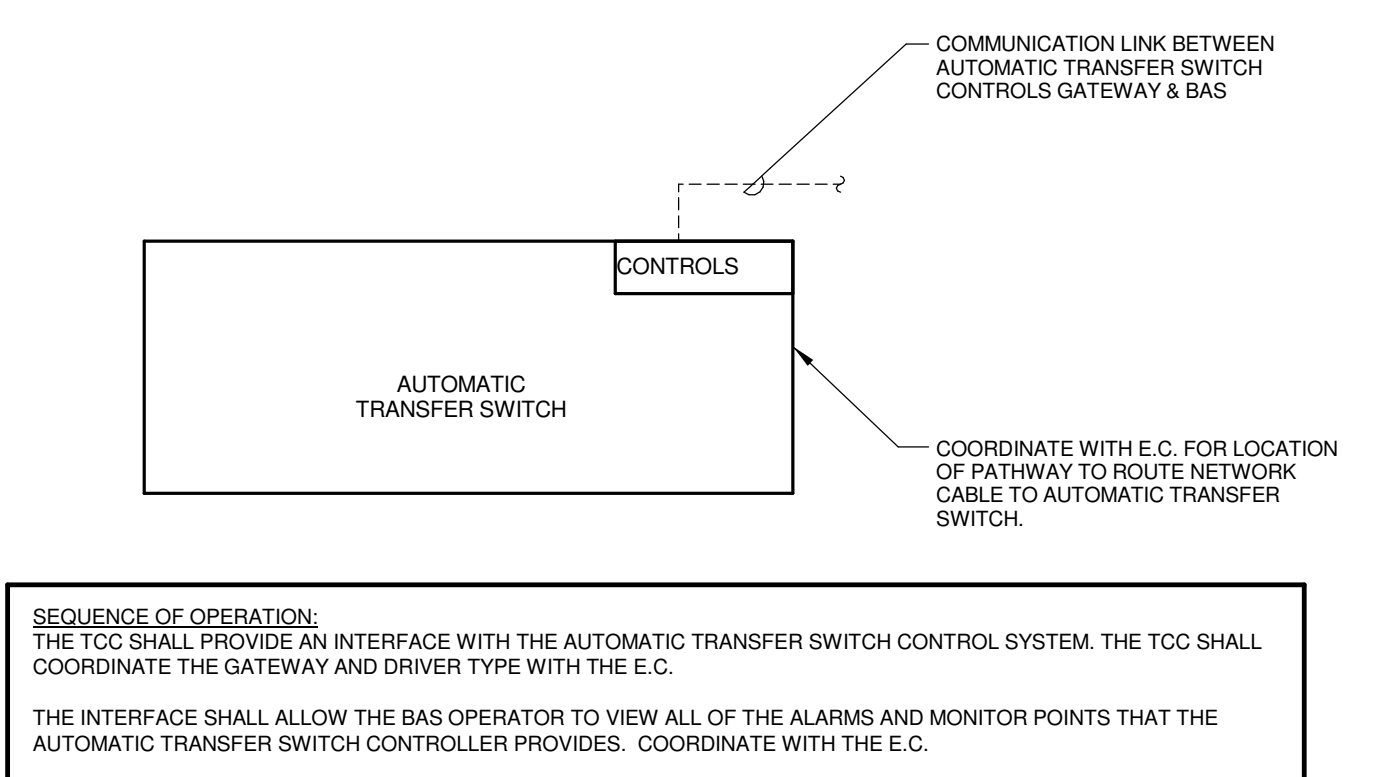
PHOTOVOLTAIC SYSTEM REPORT GENERATION:
 DDC FMCS SHALL MONITOR THE FOLLOWING POINTS ON 10 MINUTE (ADJ.) INTERVALS WITHIN A SINGLE TREND. THE TREND SHALL RUN FOR A 14 DAY (ADJ.) DURATION AT WHICH POINT THE NEWEST VALUES SHALL AUTOMATICALLY OVERRWRITE THE OLDEST VALUES:

- DATE
- TIME
- POWER (KW)
- KWH TODAY (KWH)
- TOTAL KWH (KWH)
- KWH TO UTILITY TODAY (KWH)
- TOTAL KWH TO UTILITY (KWH)

THIS INFORMATION SHALL BE ACCESSIBLE TO VIEW IN EITHER TABULAR OR GRAPHICAL FORM ON THE FMCS OPERATOR WORKSTATION.

ONCE PER MONTH, THE DDC FMCS SHALL RECORD THE LARGEST KWH TODAY WHICH OCCURRED DURING THAT MONTH. THE DATE AND TIME THAT COINCIDED WITH THAT EVENT SHALL ALSO BE RECORDED. THIS INFORMATION SHALL BE STORED TO A MEMORY LOCATION ON THE FMCS OPERATOR WORKSTATION THAT IS MAINTAINED (NOT AUTOMATICALLY OVERRITTEN).

7 AUTOMATIC TRANSFER SWITCH INTERFACE
 NO SCALE



SEQUENCE OF OPERATION:
 THE TCC SHALL PROVIDE AN INTERFACE WITH THE AUTOMATIC TRANSFER SWITCH CONTROL SYSTEM. THE TCC SHALL COORDINATE THE GATEWAY AND DRIVER TYPE WITH THE E.C.

THE INTERFACE SHALL ALLOW THE BAS OPERATOR TO VIEW ALL OF THE ALARMS AND MONITOR POINTS THAT THE AUTOMATIC TRANSFER SWITCH CONTROLLER PROVIDES. COORDINATE WITH THE E.C.

KJWW ENGINEERING CONSULTANTS
 1100 WARRENVILLE ROAD, SUITE 400W
 NAPERVILLE, ILLINOIS 60563
 630.527.2320 FAX: 630.527.2321
 WWW.KJWW.COM

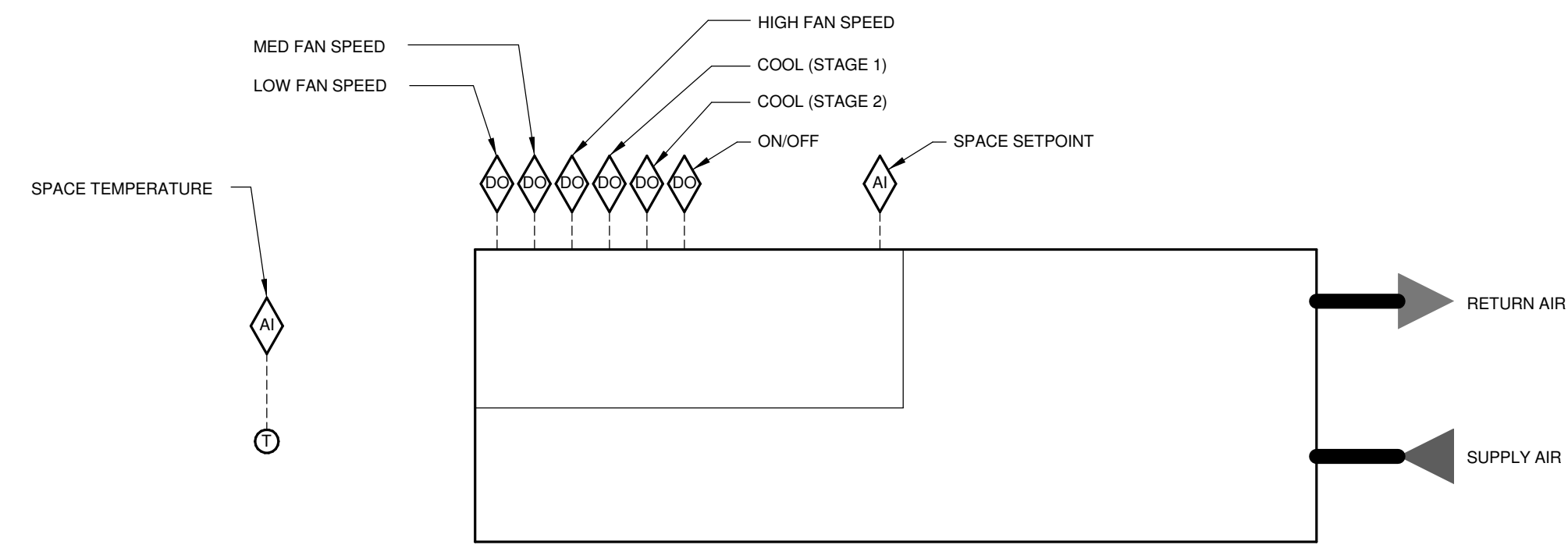
KJWW ENGINEERING CONSULTANTS
 1100 WARRENVILLE ROAD, SUITE 400W
 NAPERVILLE, ILLINOIS 60563
 630.527.2320 FAX: 630.527.2321
 WWW.KJWW.COM

Block Design Firm Registration #18-08073

KJWW ENGINEERING RESERVES PROPRIETARY RIGHTS, INCLUDING COPYRIGHTS, TO THE DRAWINGS AND THE DATA SHOWN THEREON. SAID DRAWINGS AND/OR DATA ARE THE EXCLUSIVE PROPERTY OF KJWW ENGINEERING AND SHALL NOT BE USED OR REPRODUCED FOR ANY OTHER PROJECT WITHOUT THE EXPRESS WRITTEN APPROVAL AND PARTICIPATION OF KJWW ENGINEERING. © 2015 KJWW, P.C.

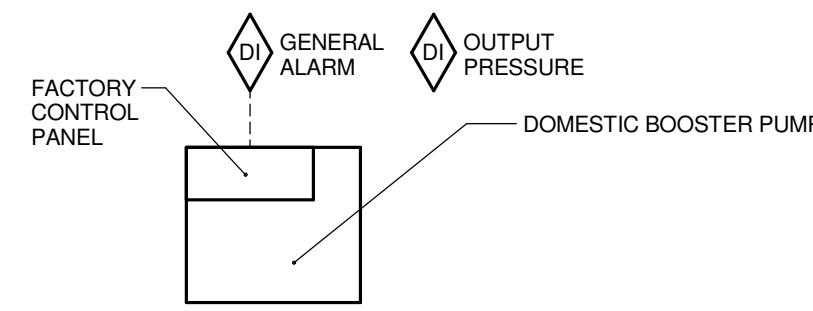
REFERENCE SCALE IN INCHES
 0 1 2 3

NO.	DESCRIPTION:	DATE:



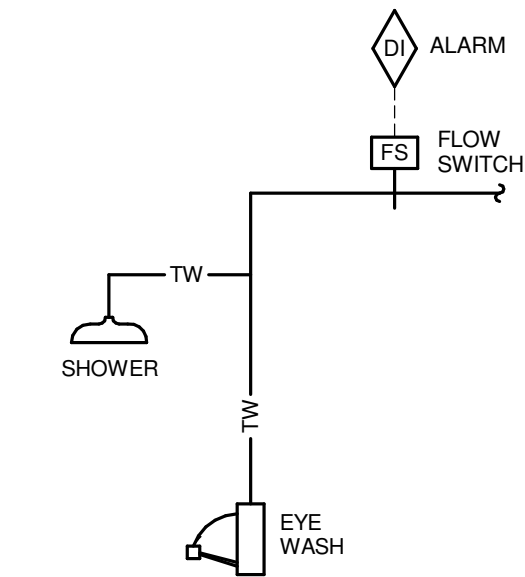
CRU SEQUENCE OF OPERATION GENERAL: (CONTROLS PROVIDED WITH UNIT)
 THE CRU SHALL BE PROVIDED WITH A CONTROL ACCESSORY TO ALLOW THE BAS TO CONTROL THE CRU AS DESCRIBED BELOW.
 THE BAS SHALL SEND THE CRU THE SPACE SETPOINT OF 75°F (ADJ.). THE CRU CONTROLS SHALL MODULATE ITS COOLING STAGES AS REQUIRED TO MAINTAIN THIS SETPOINT.
ALARMS, INTERLOCKS, AND SAFETIES:
 ACTIVATE AN ALARM AT THE OPERATOR WORKSTATION UPON THE OCCURRENCE OF ANY OF THE FOLLOWING CONDITIONS:
 • HIGH TEMPERATURE (80°F (ADJ.))
 • LOW TEMPERATURE (65°F (ADJ.))

1 COMPUTER ROOM UNIT CONTROL
 NO SCALE



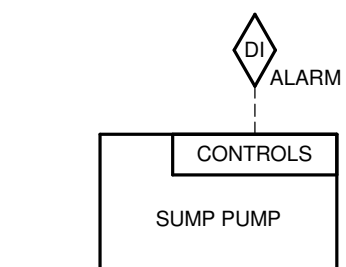
SEQUENCE OF OPERATION:
 BAS SHALL MONITOR THE OUTPUT PRESSURE OF THE DOMESTIC WATER BOOSTER PUMPS.
 BAS SHALL MONITOR AND RECORD THE FOLLOWING INFORMATION FROM THE DOMESTIC WATER BOOSTER PUMP:
 • DISPLAY THE PRESSURE ONCE EVERY 5 MINUTE (ADJ.) TIME INTERVAL AND RECORD IN A TREND THAT MAINTAINS DATA FOR A 7 DAY (ADJ.) PERIOD. AT THE END OF THE 7 DAY (ADJ.) PERIOD THE TREND SHALL AUTOMATICALLY OVERWRITE THE EARLIEST RECORDED DATA. TREND DATA SHALL INCLUDE DATE AND TIME STAMPS. THIS INFORMATION SHALL BE ACCESSIBLE TO VIEW IN EITHER TABULAR OR GRAPHICAL FORM ON THE BAS OPERATOR WORKSTATION.
 • ONCE PER MONTH, THE BAS SHALL RECORD THE FOLLOWING INFORMATION TO A MEMORY LOCATION ON THE BAS OPERATOR WORKSTATION THAT IS MAINTAINED (NOT AUTOMATICALLY OVERWRITTEN):
 - HIGHEST OUTPUT PRESSURE
 - LOWEST OUTPUT PRESSURE
ALARMS, INTERLOCKS & SAFETIES:
 BAS SHALL INDICATE AN ALARM TO THE BAS OPERATOR WORKSTATION IN THE EVENT THE FOLLOWING OCCUR:
 • THE CONTROLLER INDICATES AN ALARM CONDITION.

2 DOMESTIC WATER BOOSTER PUMP MONITORING
 NO SCALE



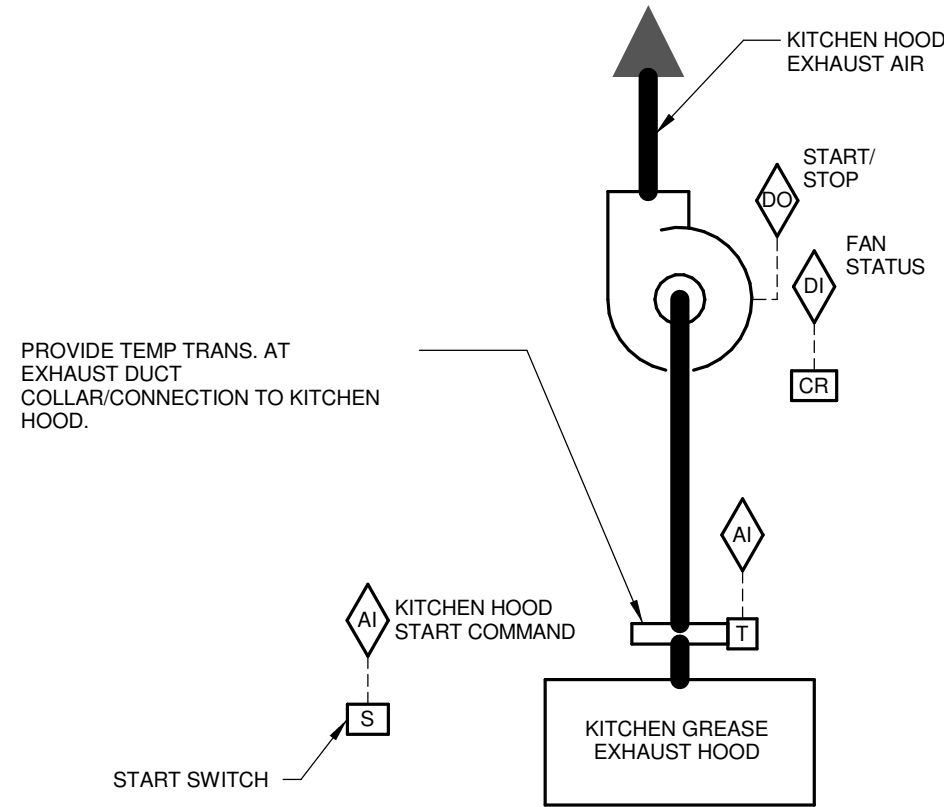
ALARMS, INTERLOCKS & SAFETIES:
 BAS SHALL INDICATE AN ALARM TO THE BAS OPERATOR WORKSTATION IN THE EVENT THE FLOW SWITCH DETECTS FLOW. THE FLOW SWITCH SHALL BE LOCATED SUCH THAT IT WILL DETECT FLOW TO BOTH THE SHOWER AND EYEWASH STATION.
 BAS SHALL MONITOR AND RECORD EACH OPERATION.
 REFER TO DRAWINGS FOR QUANTITY.

3 EMERGENCY SHOWER/EYEWASH MONITORING
 NO SCALE



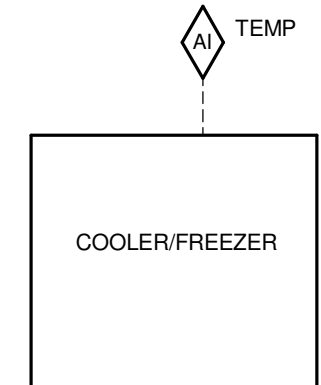
ALARMS, INTERLOCKS & SAFETIES:
 BAS SHALL INDICATE AN ALARM TO THE BAS OPERATOR WORKSTATION IN THE EVENT THE FOLLOWING OCCUR:
 • HIGH WATER CONDITION
 • THE CONTROLLER INDICATES AN ALARM CONDITION.
 • THE PUMP IS OPERATING.

4 SUMP PUMP MONITORING - ELEVATOR
 NO SCALE



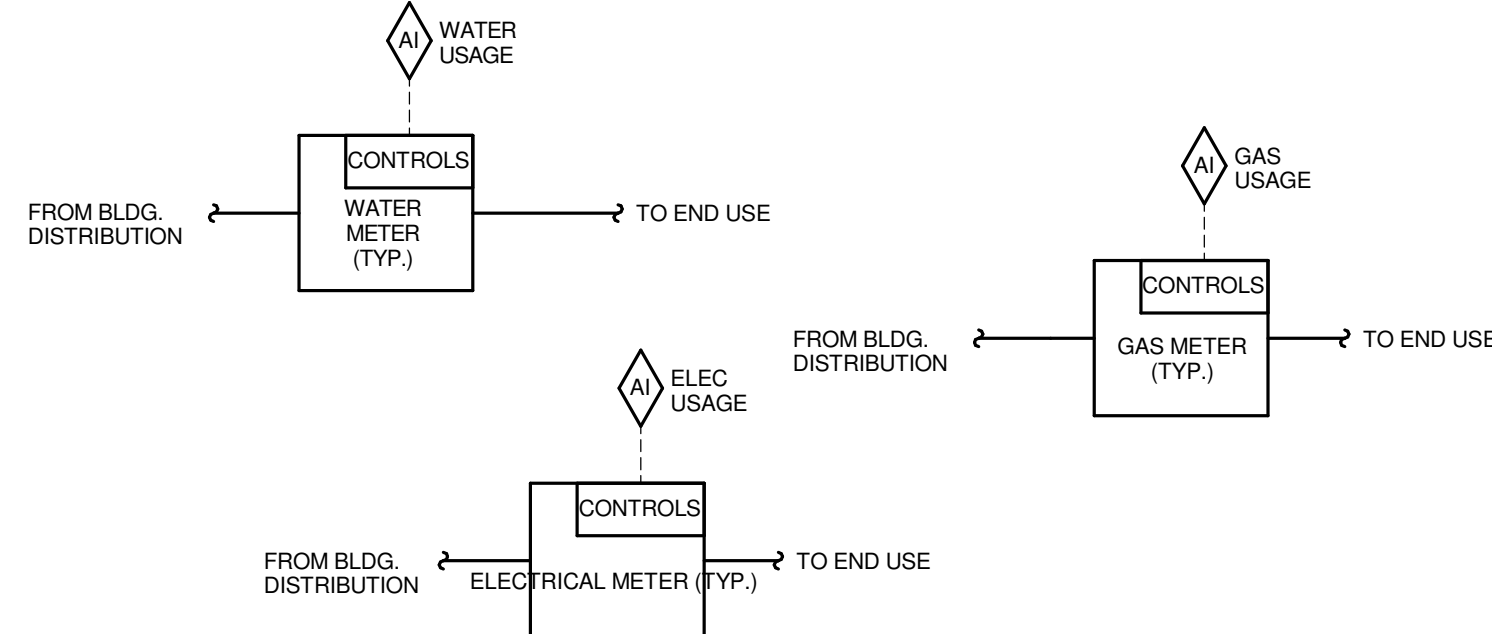
KITCHEN HOOD EXHAUST FAN OPERATION:
 KITCHEN HOOD EXHAUST FAN SHALL START FROM EITHER OF THE TWO FOLLOWING INPUTS:
 • SWITCH ON KITCHEN HOOD TURNED TO ON POSITION.
 • EXHAUST DUCT MOUNTED TEMP TRANSMITTER DETECTS AIR ABOVE SETPOINT (100°F ADJ.).
 ONCE THE EXHAUST FAN IS ENERGIZED, RTU 1 SHALL MODULATE THE SIGNAL TO THE RETURN FAN TO ACCOUNT FOR THE OPERATING KITCHEN EXHAUST FAN. REFER TO RTU 1 CONTROL DIAGRAM.
 ONCE THE KITCHEN HOOD EXHAUST FAN IS ENERGIZED, VIA ANY INPUT, THE EXHAUST FAN SHALL CONTINUE TO OPERATE FOR A MIN. 20 MINUTE (ADJ.) TIME DURATION TO PREVENT SHORT CYCLING.
ALARMS, INTERLOCKS AND SAFETIES:
 THE BAS SHALL MONITOR THE WALL SWITCH AND GENERATE AN ALARM AT THE BAS OPERATOR WORKSTATION IN THE EVENT THE SWITCH COMMANDS THE EXHAUST FAN TO OPERATE AND THE CURRENT SENSING RELAY DETECTS INSUFFICIENT CURRENT DRAW.
 THE BAS SHALL GENERATE AN ALARM AT THE BAS OPERATOR WORKSTATION IN THE EVENT THE TEMP TRANSMITTER COMMANDS THE EXHAUST FAN TO OPERATE AND THE CURRENT SENSING RELAY DETECTS INSUFFICIENT CURRENT DRAW.

5 KITCHEN FAN CONTROL
 NO SCALE



SEQUENCE OF OPERATION:
 PROVIDE A JELLY TYPE TEMP SENSOR IN ALL WALK-IN COOLERS AND FREEZERS IN THE KITCHEN (QTY. 2).
 THE BAS SHALL SEND AN ALARM TO THE BAS OPERATOR IF THE TEMPERATURE SENSOR INDICATES THE INTERNAL COOLER/FREEZER TEMPERATURE IS 5°F (ADJ.) BELOW THE COOLER/FREEZER SETTING. COORDINATE THE COOLER/FREEZER SETTING WITH THE OWNER.

6 COOLER/FREEZER MONITOR
 NO SCALE



CONNECT TO, MONITOR, AND GENERATE REPORTS FOR THE FOLLOWING METERS. (REFER TO DRAWINGS FOR METER LOCATIONS AND QUANTITIES)
 • GAS MAIN SERVICE (THERMS)
 • WATER MAIN SERVICE (GAL)
 • ELECTRICAL (REFER TO ELECTRICAL DRAWINGS FOR METER LOCATIONS AND QUANTITIES)
 • MAIN SERVICE (KWH)

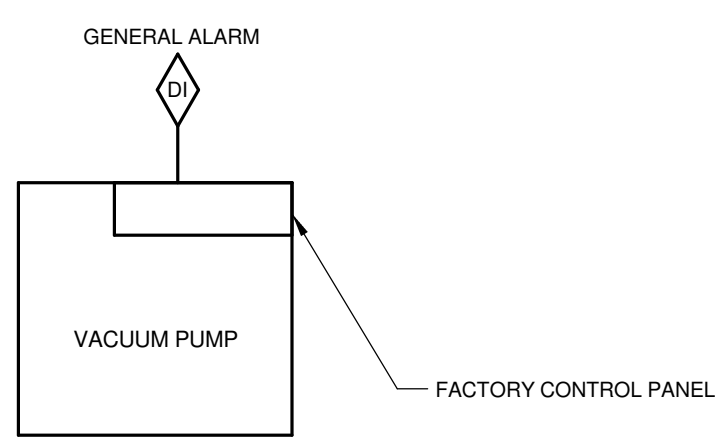
REPORT GENERATION:
 THE DDC SYSTEM SHALL MONITOR THE METERS LISTED ABOVE ON 15 MIN (ADJ.) INTERVALS WITHIN A SINGLE TREND. THE TREND SHALL RUN FOR A 14 DAY (ADJ.) DURATION AT WHICH POINT THE NEWEST VALUES SHALL OVERWRITE THE OLDEST VALUES. ONCE PER DAY (ADJ.), THE DDC SYSTEM SHALL SUM THE TOTAL CONSUMPTION OF EACH METER FOR THE PREVIOUS 24 HOUR PERIOD AND RECORD IT IN A MEMORY LOCATION ON THE DDC SERVER THAT IS MAINTAINED (NOT AUTOMATICALLY OVERWRITTEN).
 ONCE PER MONTH (1ST DAY OF EACH MONTH (ADJ.)) THE DDC SYSTEM SHALL UTILIZE THE STORED DAILY INFORMATION TO GENERATE A MONTHLY REPORT THAT SUMS CONSUMPTION INFORMATION INTO THE BELOW CATEGORIES. THE REPORT SHALL INCLUDE A GRAPHICAL REPRESENTATION (BAR CHART OR OTHER) INDICATING THE RELATIVE CONSUMPTION OF ENERGY BY EACH END USE. THE DATA AND REPORT SHALL BE RECORDED IN A MEMORY LOCATION ON THE DDC SERVER THAT IS MAINTAINED (NOT AUTOMATICALLY OVERWRITTEN).

- TOTAL WATER USE (GAL): SUM ALL WATER METERS
- TOTAL ELECTRICITY CONSUMPTION (KWH): MAIN ELECTRICAL UTILITY METER
- TOTAL NATURAL GAS CONSUMPTION (THERMS): MAIN GAS UTILITY METER

ONCE PER YEAR (1ST DAY OF EACH CALENDAR YEAR (ADJ.)) THE DDC SYSTEM SHALL SUM THE STORED MONTHLY INFORMATION TO GENERATE A YEARLY REPORT THAT SUMS THE CONSUMPTION INFORMATION FOR ALL CATEGORIES LISTED IN THE MONTHLY REPORT. THE REPORT SHALL INCLUDE A GRAPHICAL REPRESENTATION (BAR CHART OR OTHER) INDICATING THE RELATIVE CONSUMPTION OF ENERGY BY EACH END USE. THE DATA AND REPORT SHALL BE RECORDED IN A MEMORY LOCATION ON THE DDC SERVER THAT IS MAINTAINED (NOT AUTOMATICALLY OVERWRITTEN).

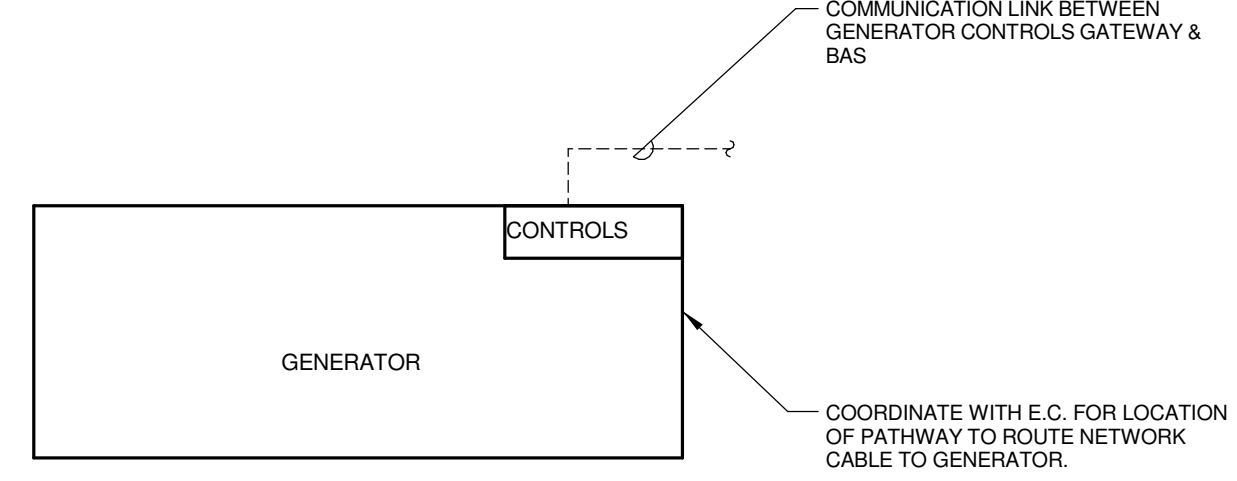
7 METER MONITORING
 NO SCALE

NOTES:
 1. METERS SHOWN AS TYPICAL TO DETERMINE METER QUANTITIES AND LOCATION. REFER TO DRAWINGS FOR EACH TRADE.



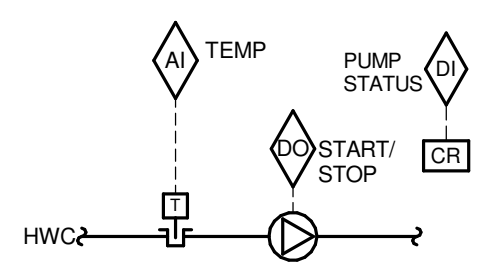
SEQUENCE OF OPERATION:
 THE VACUUM PUMP CONTROLLER SHALL OPERATE THE SYSTEM TO MAINTAIN THE SPECIFIED PRESSURE.
ALARMS, INTERLOCKS, AND SAFETIES:
 SEND AN ALARM TO THE BAS OPERATOR INTERFACE IF THE VACUUM PUMP CONTROLLER INDICATES AN ALARM.

8 VACUUM PUMP CONTROL DIAGRAM
 NO SCALE



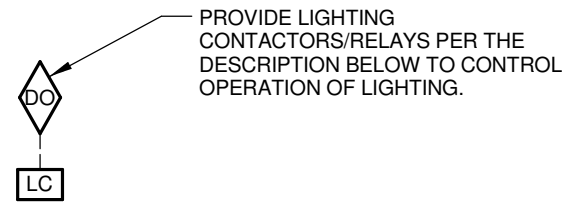
SEQUENCE OF OPERATION:
 THE TCC SHALL PROVIDE AN INTERFACE WITH THE GENERATOR CONTROL SYSTEM. THE TCC SHALL COORDINATE THE GATEWAY AND DRIVER TYPE WITH THE E.C.
 THE INTERFACE SHALL ALLOW THE BAS OPERATOR TO VIEW ALL OF THE ALARMS AND MONITOR POINTS THAT THE GENERATOR CONTROLLER PROVIDES. COORDINATE WITH THE E.C.

9 GENERATOR INTERFACE
 NO SCALE



SEQUENCE OF OPERATION:
 BAS SHALL MONITOR THE TEMPERATURE AT THE CIRCULATION PUMP. THE BAS SHALL TURN THE CIRCULATION PUMP ON WHEN THE TEMPERATURE FALLS BELOW 8°F (ADJ.) THE HOT WATER SETPOINT AND SHALL TURN OFF WHEN THE TEMPERATURE EQUALS THE HOT WATER SETPOINT.
 BAS SHALL MONITOR AND RECORD THE FOLLOWING INFORMATION FROM THE CIRCULATION PUMPS:
 • TOTAL RUN TIME ON EACH PUMP SHOWN IN THE DIAGRAM. COORDINATE FINAL RECORDING, DISPLAY, AND ARCHIVING REQUIREMENTS WITH THE OWNER.
 OPERATOR WORKSTATION SHALL DISPLAY PUMP CURRENT STATUS AND ALLOW OPERATOR TO ENABLE/DISABLE THE CIRCULATION PUMP FOR EACH SYSTEM.
ALARMS, INTERLOCKS, AND SAFETIES:
 AN ALARM SHALL BE GENERATED AT THE OPERATOR WORKSTATION IN THE EVENT THE BAS COMMANDS A CIRCULATION PUMP TO OPERATE AND THE CURRENT SENSING RELAY DETECTS INSUFFICIENT CURRENT DRAW.

10 DOMESTIC HOT WATER CIRCULATION PUMP CONTROL (QTY. 2)
 NO SCALE



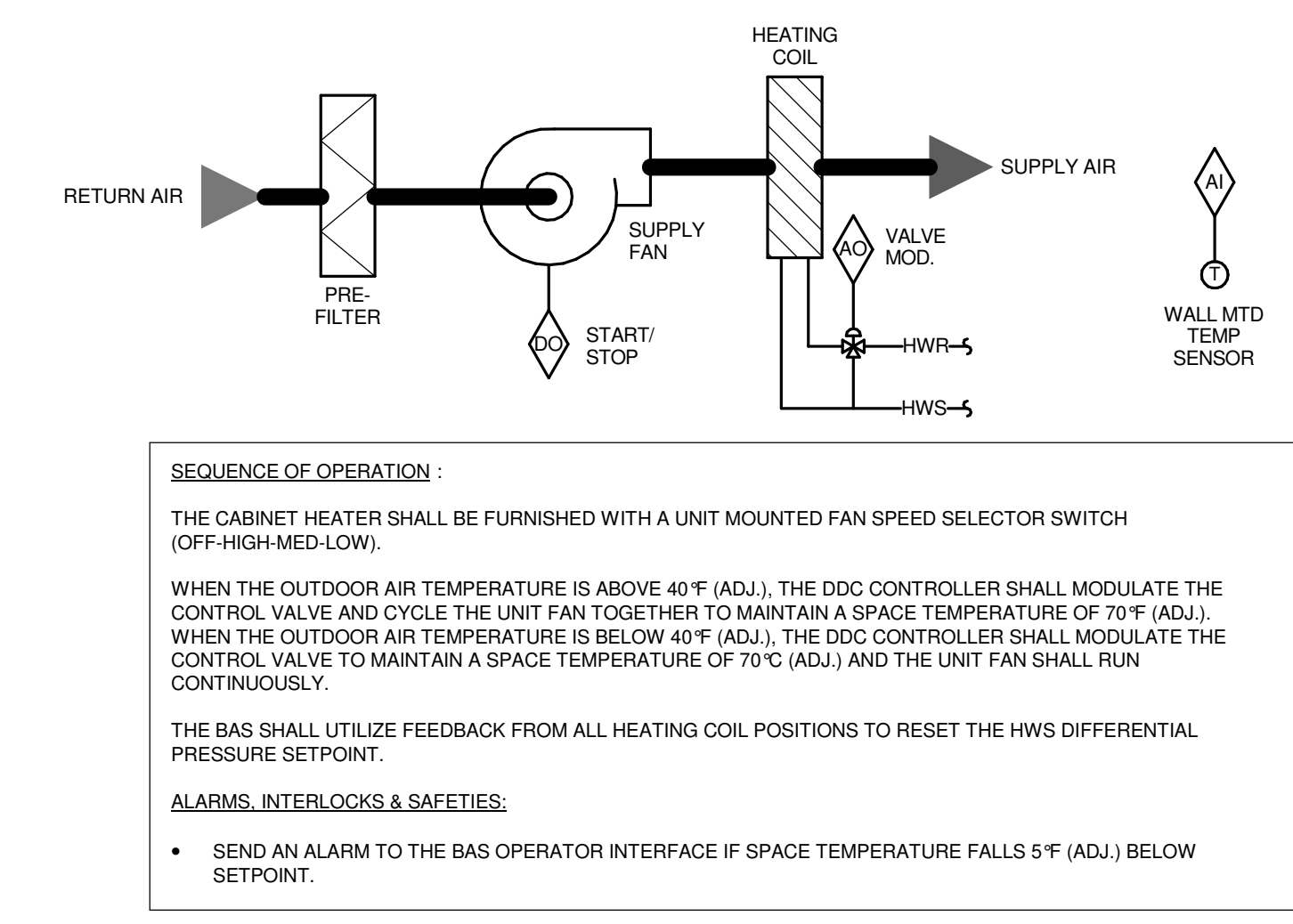
LIGHTING CONTROL:
 • BAS SHALL OPEN/CLOSE THE FOLLOWING LIGHTING ZONE RELAYS BASED ON A TIME OF DAY (TOD) SCHEDULE:
 • TOTAL OF (6) LIGHTING ZONES
 • EXTERIOR SITE LIGHTING - PARKING - RELAY LOCATED IN ROOM 1112
 • EXTERIOR SITE LIGHTING - RING ROAD - RELAY LOCATED IN ROOM 1112
 • EXTERIOR BUILDING SIGNAGE - RELAY LOCATED IN ROOM 1112
 • FLAG POLE LIGHTING - RELAY LOCATED IN ROOM 1112
 • FIRST FLOOR CORRIDOR LIGHTING - RELAY LOCATED IN ROOM 1112
 • SECOND FLOOR CORRIDOR LIGHTING - RELAY LOCATED IN ROOM 2108
 PROVIDE A TOD SCHEDULE AND GRAPHICS FOR EACH LIGHTING ZONE. THE SCHEDULE SHALL BE ADJUSTABLE THROUGH THE BAS.
 BAS SHALL CONTROL ALL THE LIGHTING ZONES LISTED ABOVE. REFER TO THE ELECTRICAL DRAWINGS AND SPECIFICATIONS FOR ADDITIONAL INFORMATION.

11 LIGHTING CONTROLS
 NO SCALE

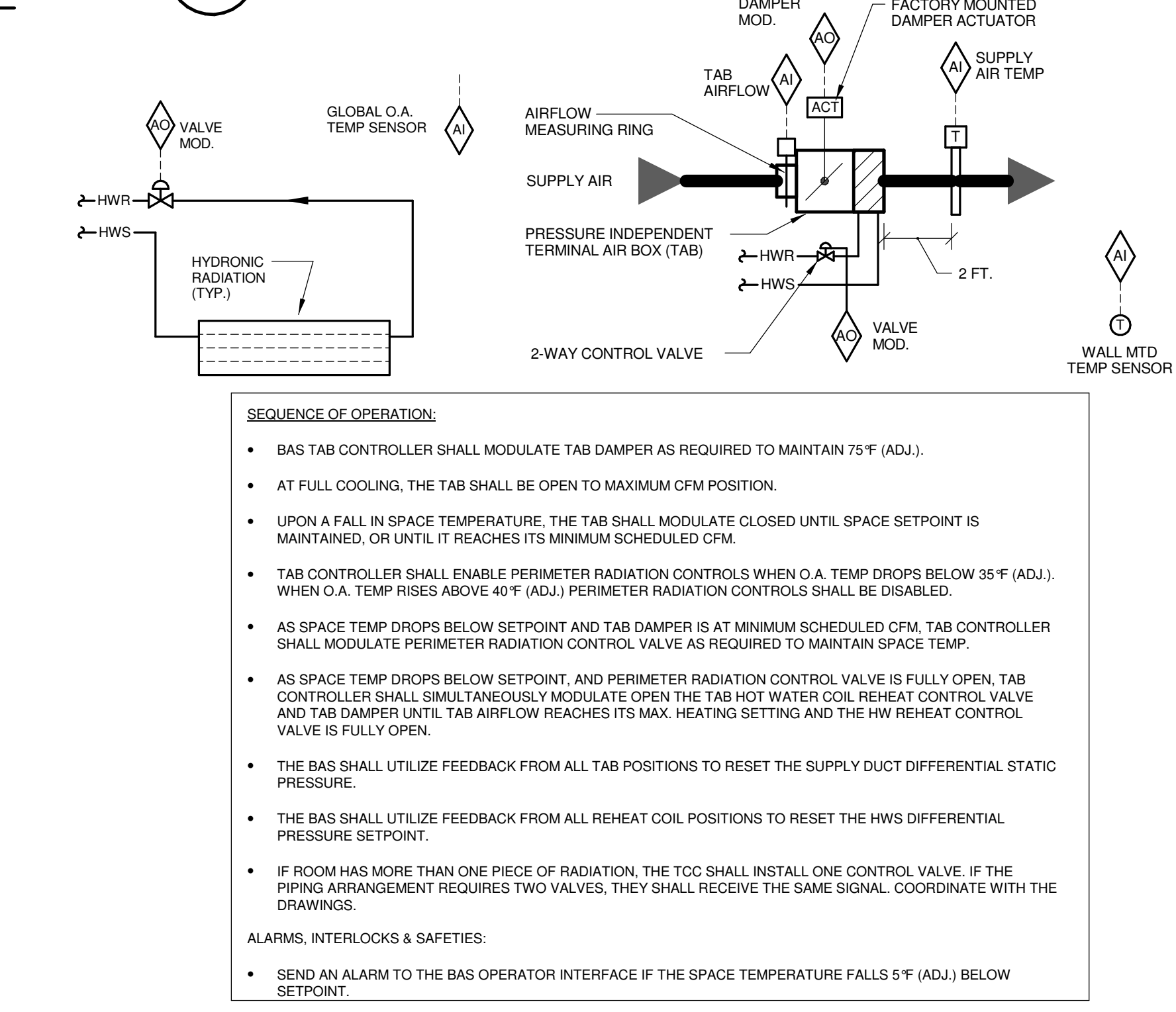
MAKE-UP WATER METER:
 • THE METER LOCATED ON THE MAKE-UP WATER SYSTEM SHALL BE CONNECTED TO THE BAS. THE METER SHALL REPORT WATER USAGE IN GALLONS, AND THE OPERATOR SHALL BE CAPABLE OF ZEROING OUT THE VALUE.
 • AN ALARM SHALL BE SENT TO THE OPERATOR WORKSTATION IN THE EVENT THAT THE METER TOTALS 5 GALLONS (ADJ.) SINCE THE PREVIOUS ALARM ACKNOWLEDGEMENT OR THE PREVIOUS ZEROING OUT.

12 MAKE-UP METER MONITORING
 NO SCALE

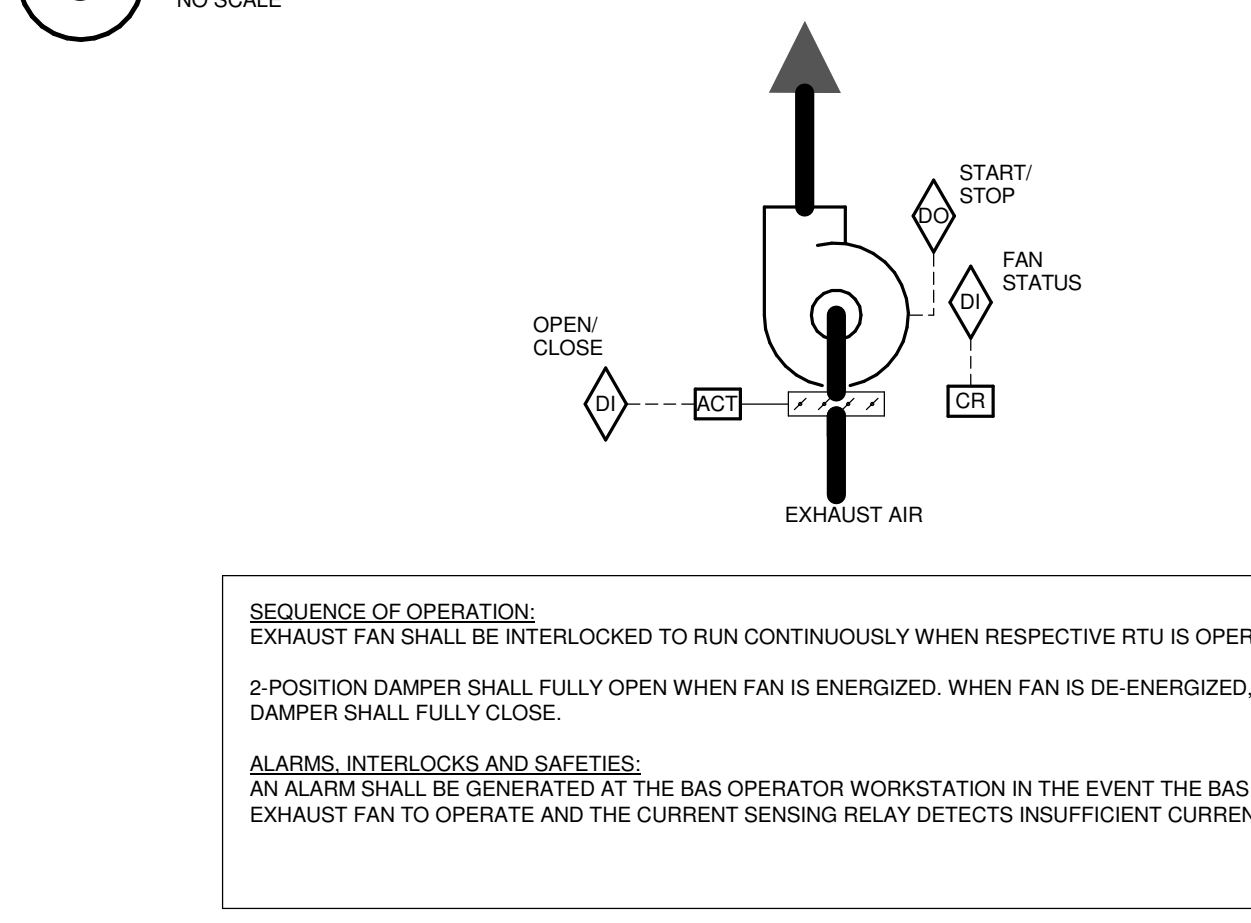
NO.	DESCRIPTION:	DATE:



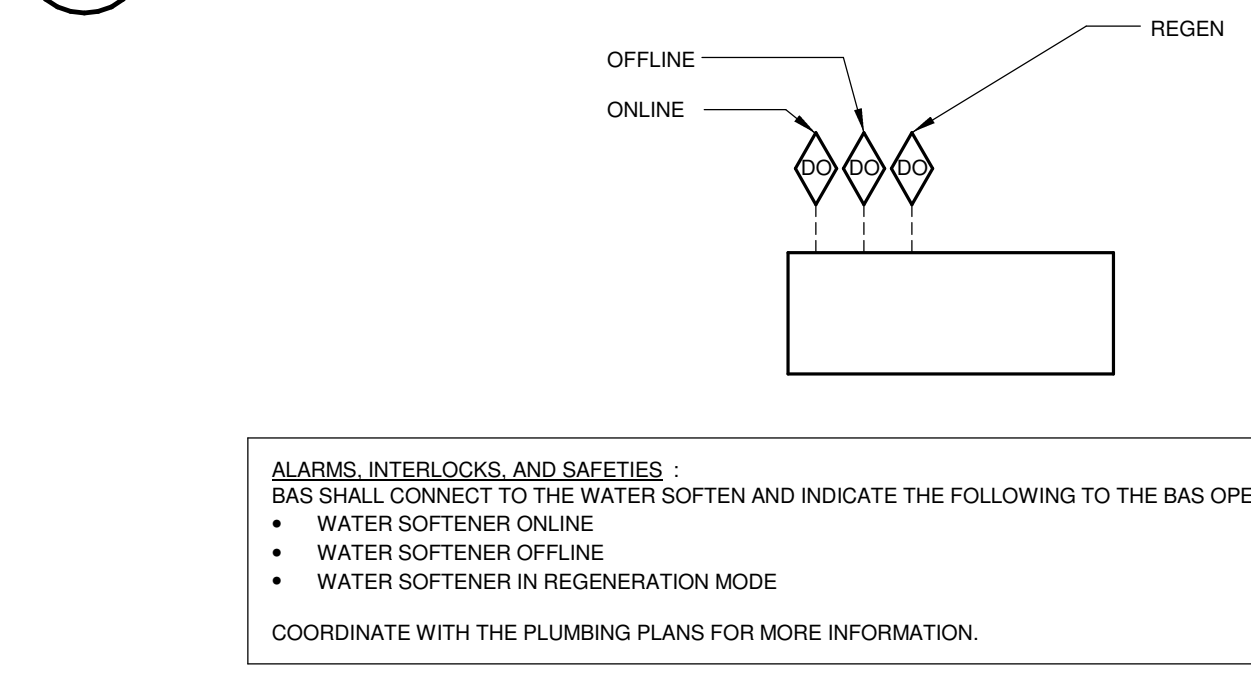
3 CABINET HEATER CONTROL
 NO SCALE



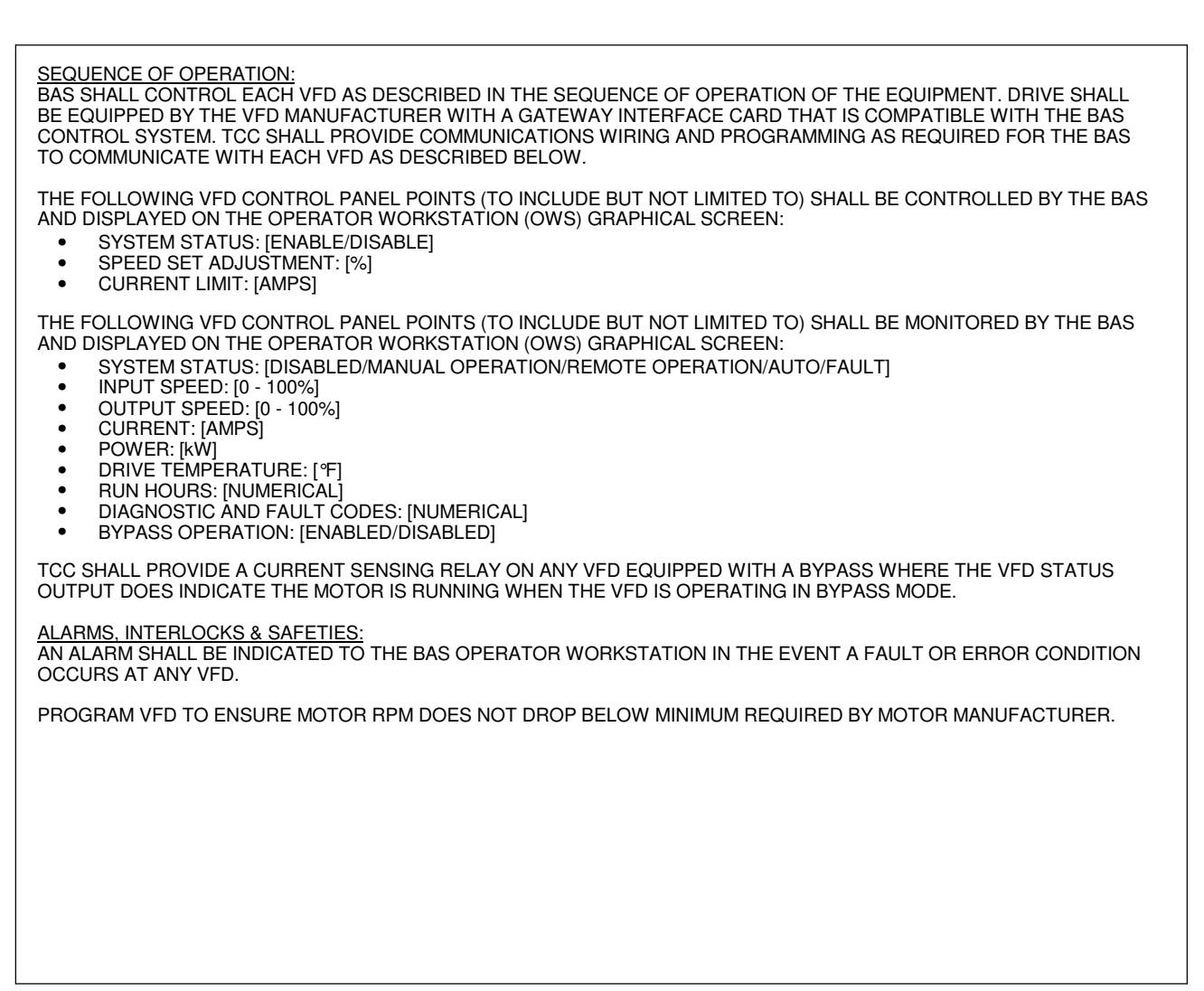
5 TAB CONTROL W/ HOT WATER REHEAT AND PERIMETER RADIATION (TYPE B)
 NO SCALE



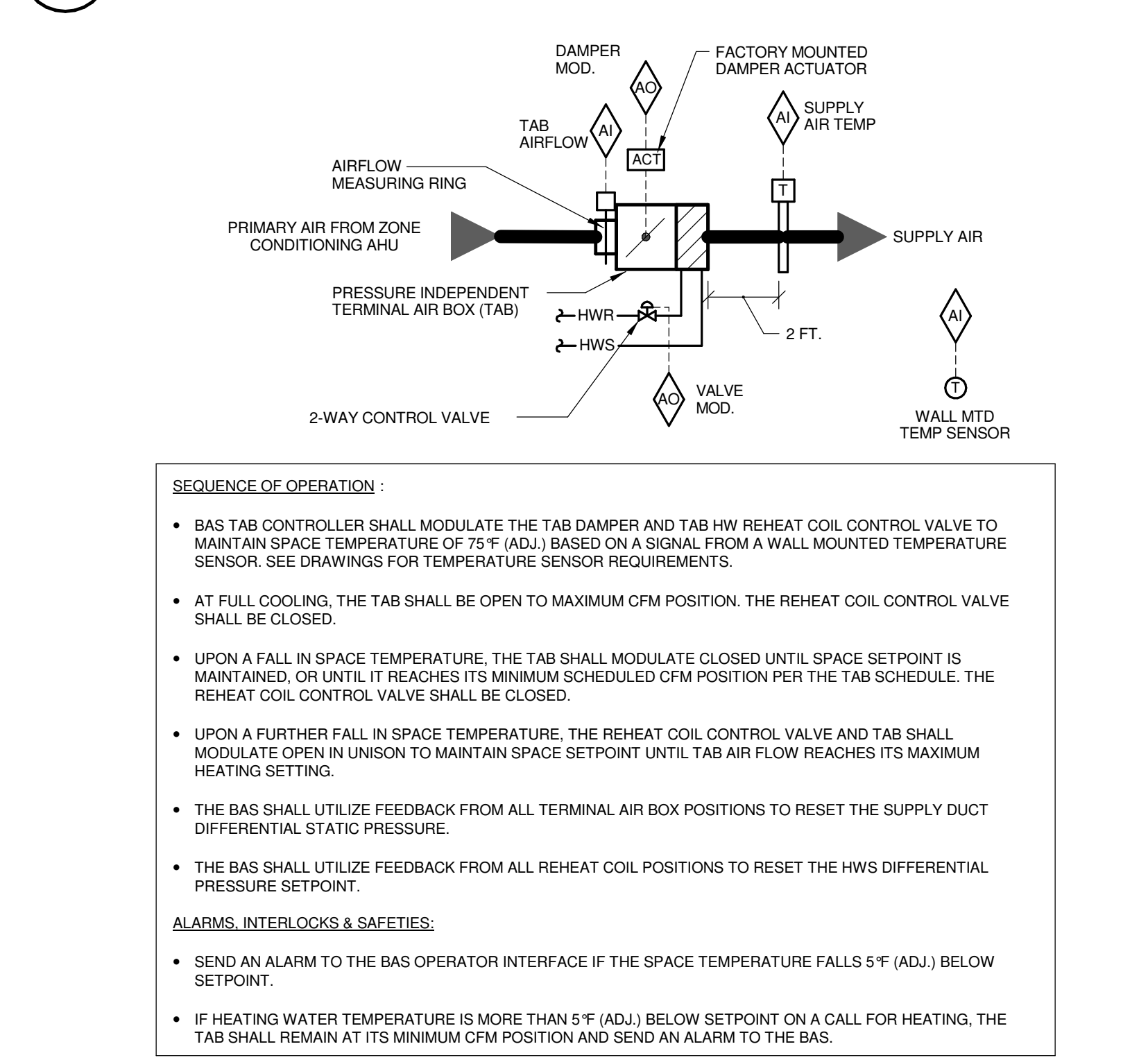
10 EXHAUST FAN CONTROL - AHU INTERLOCK
 NO SCALE



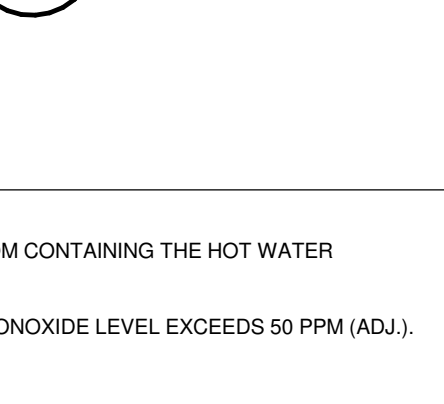
12 WATER SOFTENER MONITORING
 NO SCALE



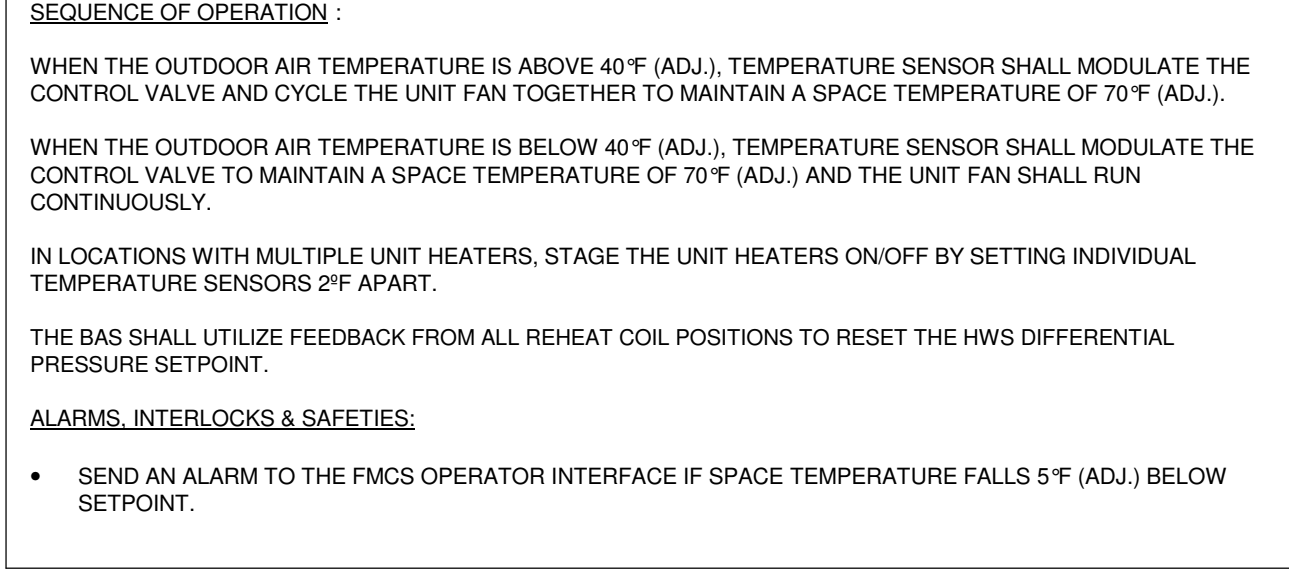
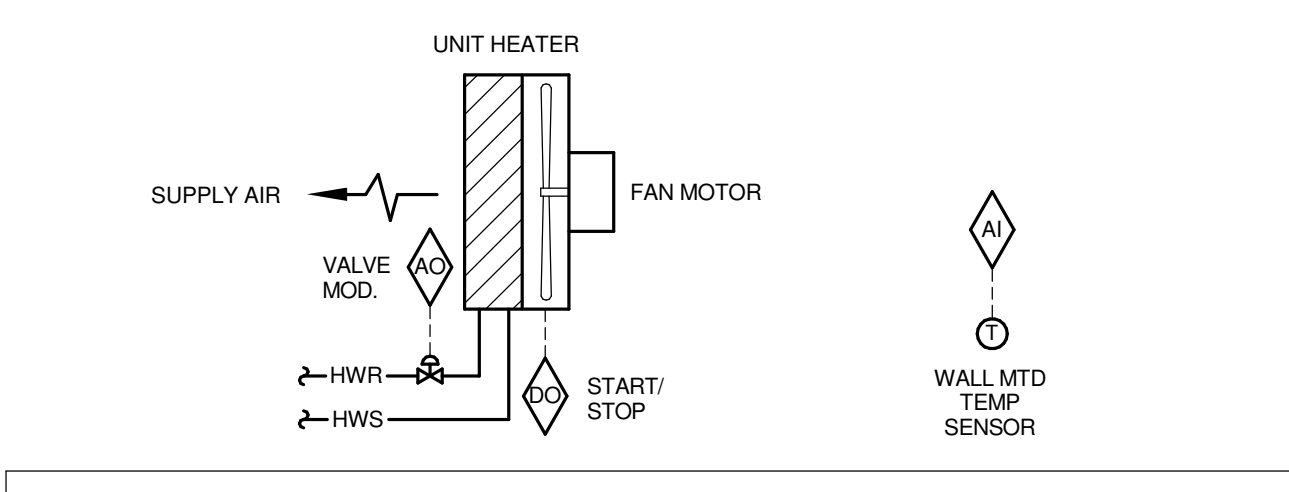
2 VARIABLE FREQUENCY DRIVE CONTROL - P-1 & P-2
 NO SCALE



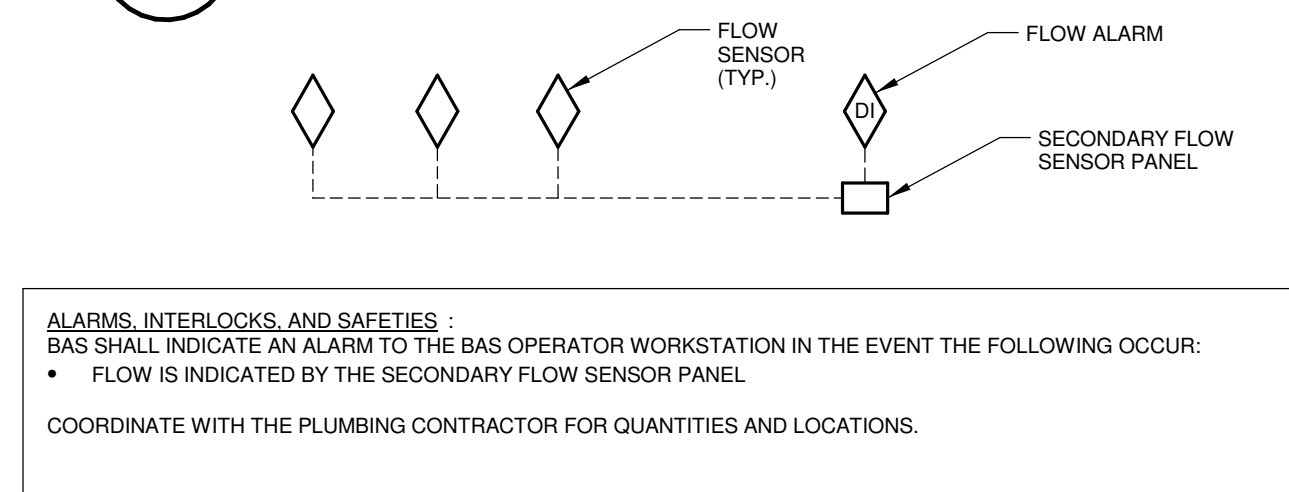
4 TAB CONTROL W/ HOT WATER REHEAT (TYPE A)
 NO SCALE



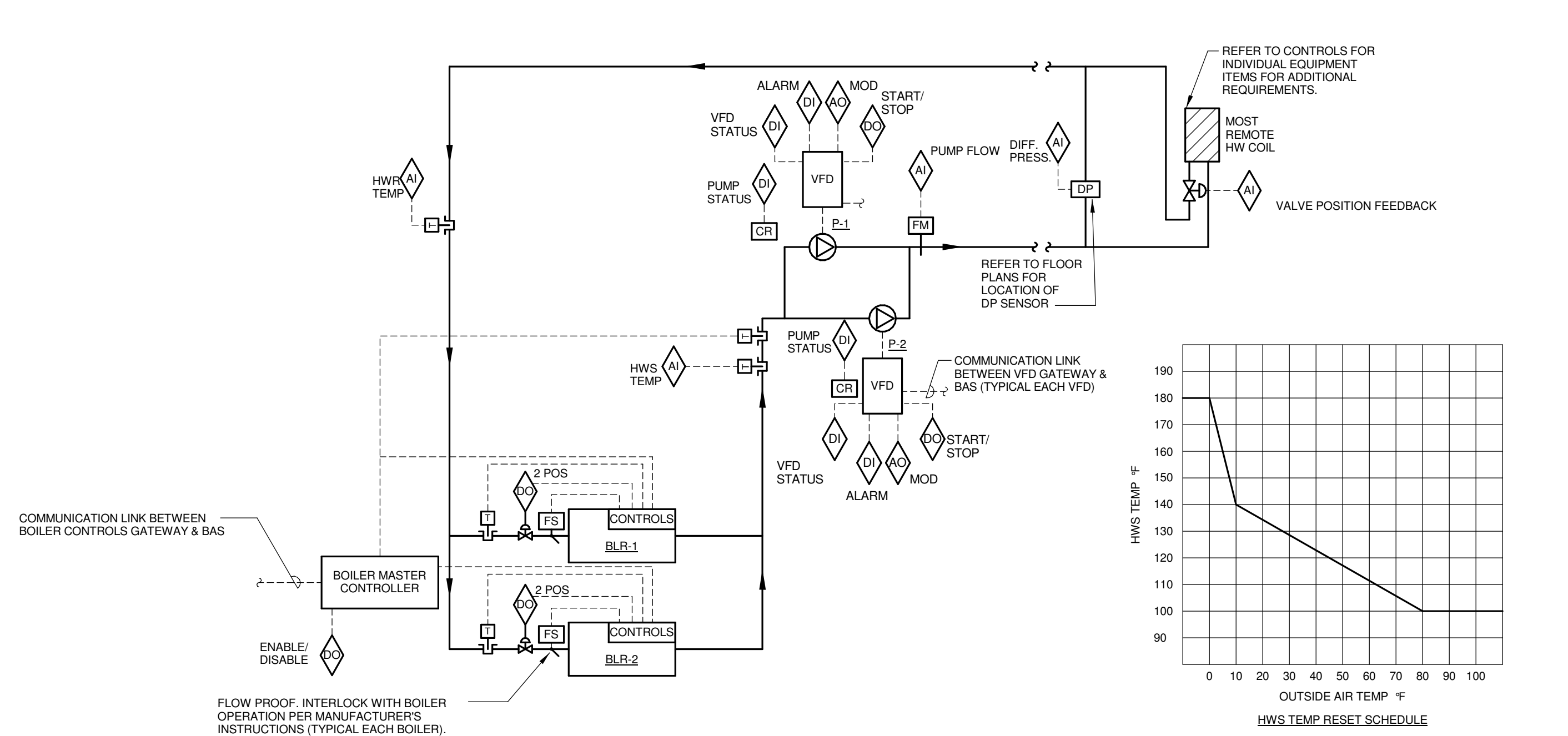
8 CARBON MONOXIDE MONITORING
 NO SCALE



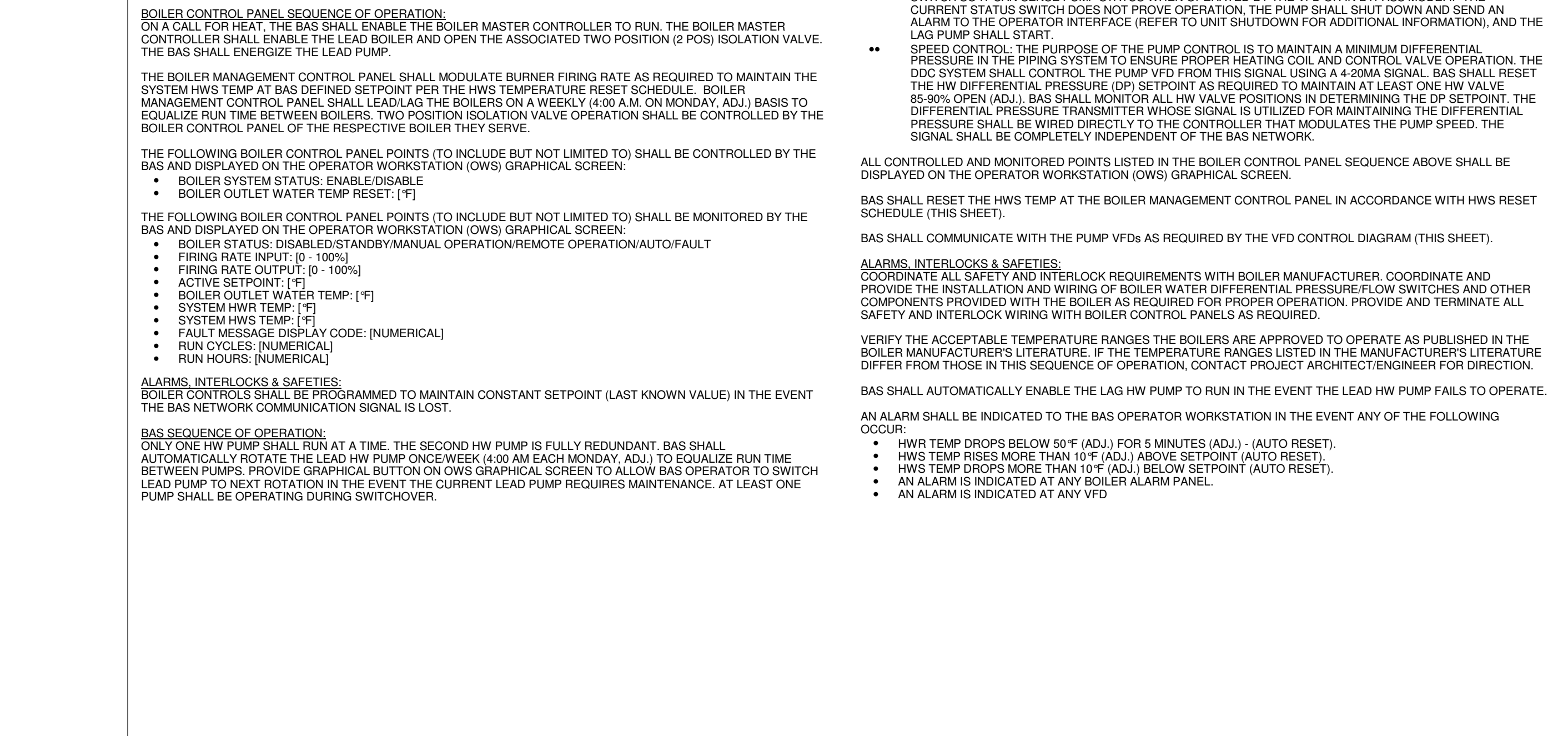
9 UNIT HEATER CONTROL
 NO SCALE



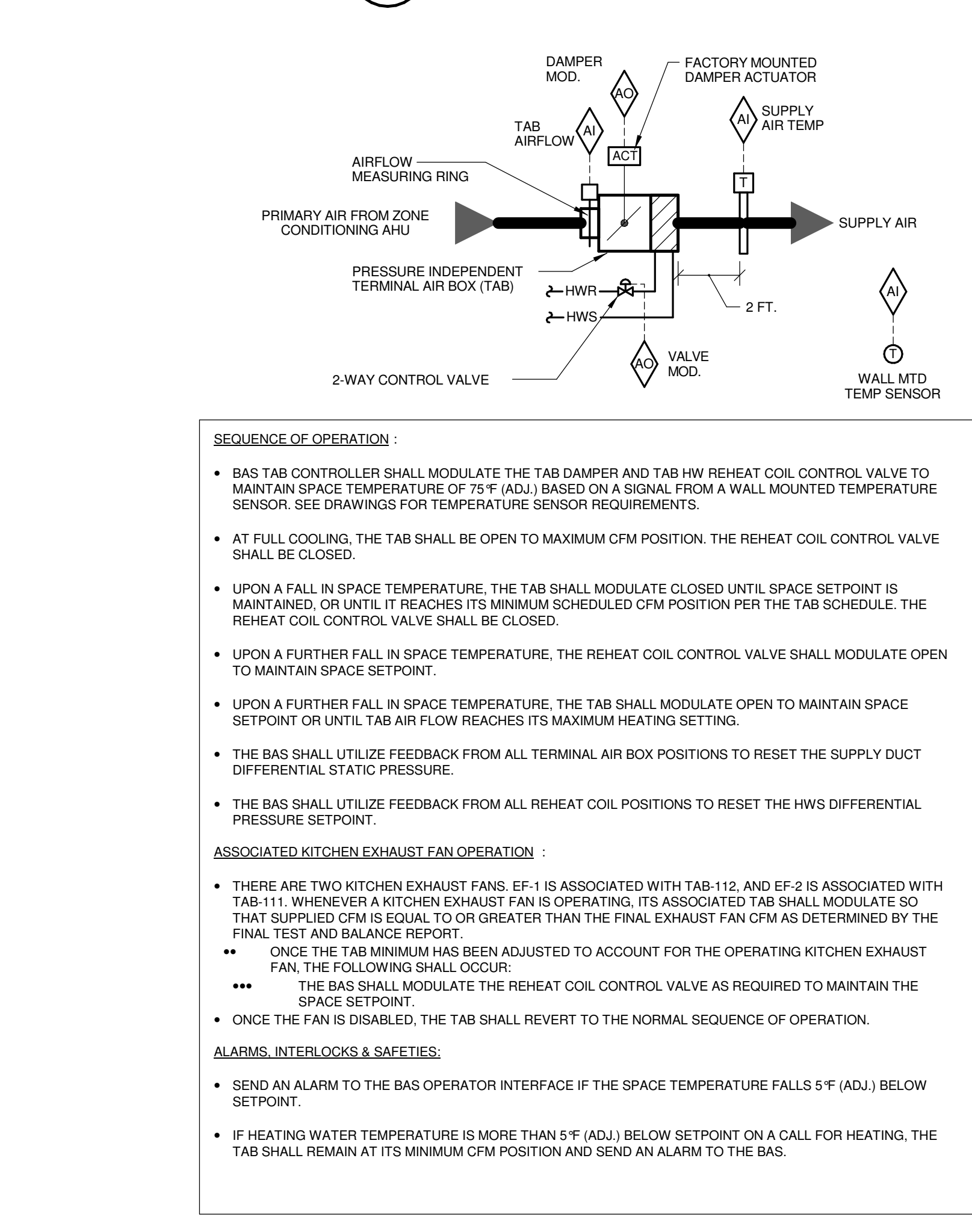
11 SECONDARY STORM MONITORING
 NO SCALE



1 CONDENSING HOT WATER BOILER CONTROL
 NO SCALE



6 TAB CONTROL W/ HOT WATER REHEAT (TYPE C)
 NO SCALE



7 TAB CONTROL W/ HOT WATER REHEAT (TYPE D)
 NO SCALE

6 TAB CONTROL W/ HOT WATER REHEAT (TYPE C)
 NO SCALE

PLUMBING FIXTURE ROUGH-IN SCHEDULE					
FIXTURE DESCRIPTION	DOMESTIC CW (NOTE 3)	DOMESTIC HW (NOTE 3)	SANITARY (NOTE 3)	VENT (NOTE 3)	NOTES
WATER CLOSET	1"	-	4"	2"	(FLUSH VALVE)
URINAL	3/4"	-	2"	1 1/2"	(FLUSH VALVE - WASHDOWN)
LAVATORY	1/2"	1/2"	1 1/4"	1 1/4"	NOTE 1 & 2
KITCHEN SINK	3/4"	3/4"	1 1/2"	1 1/2"	NOTE 1 (COMMERCIAL KITCHEN)
MOP BASIN	3/4"	3/4"	3"	1 1/2"	-
DRINKING FOUNTAIN	1/2"	-	1 1/2"	1 1/4"	NOTE 1 & 2
FLOOR DRAIN/FLOOR SINK	-	-	4"	2"	-
HOSE BIBB	3/4"	-	-	-	-

- NOTES:
- SANITARY RISER UP IN WALL TO FIXTURE SHALL BE A MINIMUM OF 2".
 - 1/2" CW AND HW APPLIES TO THE FINAL VERTICAL RISE/DROP TO EACH FIXTURE. BRANCH PIPING TO VERTICAL RISE/DROP SHALL BE A MINIMUM OF 3/4" UNLESS NOTED OTHERWISE.
 - SIZES SHOWN ARE MINIMUMS. SIZES SHOWN ON THE DRAWING THAT ARE LARGER THAN THE SIZES LISTED IN THE SCHEDULE SHALL DICTATE THE ROUGH-IN SIZE.

CONTACT PERSONS:	
DESCRIPTION:	PERSON:
PROJECT MANAGER	BRANDON FORTIER
MECHANICAL ENGINEER	BLAIR HAWN

- PLUMBING GENERAL NOTES:**
- DRAWINGS SHOWING LOCATIONS OF EQUIPMENT AND PIPING, ETC. ARE DIAGRAMMATIC AND MAY NOT ALWAYS REFLECT EXACT INSTALLATION CONDITIONS. DRAWINGS SHOW THE GENERAL ARRANGEMENT OF PIPING AND EQUIPMENT, ETC., AND MAY NOT INCLUDE ALL OFFSETS AND FITTINGS REQUIRED FOR COMPLETE INSTALLATION. THE DRAWINGS SHALL BE FOLLOWED AS CLOSELY AS ACTUAL BUILDING CONSTRUCTION AND THE WORK OF OTHERS WILL PERMIT.
 - DO NOT SCALE DRAWINGS. VERIFY ALL DIMENSIONS AND CLEARANCES FROM ARCHITECTURAL, STRUCTURAL, SUBMITTALS, AND OTHER APPROPRIATE DRAWINGS OR PHYSICALLY AT SITE. REVIEW ALL DRAWINGS, INCLUDING THOSE OF OTHER TRADES, BEFORE PROCEEDING WITH FABRICATION OR EQUIPMENT ORDERS.
 - COORDINATE ALL WORK WITH ALL OTHER TRADES PRIOR TO INSTALLATION TO PROVIDE CLEARANCES REQUIRED FOR OPERATION, MAINTENANCE, CODE COMPLIANCE, AND TO VERIFY NON-INTERFERENCE WITH OTHER WORK. DO NOT FABRICATE PRIOR TO VERIFICATION OF NECESSARY CLEARANCES FOR ALL TRADES. BRING ANY INTERFERENCES OR CONFLICTS TO THE ATTENTION OF THE ARCHITECT/ENGINEER BEFORE PROCEEDING WITH FABRICATION OR EQUIPMENT ORDERS.
 - REVIEW SPACE REQUIREMENTS OF EQUIPMENT SPECIFIED OR SUBSTITUTED AND MAKE REASONABLE ACCOMMODATIONS IN LAYOUT AND POSITIONING TO PROVIDE PROPER ACCESS.
 - ANY CHANGES REQUIRED TO ELIMINATE CONFLICTS OR THAT RESULT FROM A FAILURE TO COORDINATE SHALL BE MADE BY THE CONTRACTOR WITHOUT ADDITIONAL COST OR EXPENSE TO OTHERS.
 - EACH CONTRACTOR IS RESPONSIBLE FOR ALL COSTS ASSOCIATED WITH ELECTRICAL CHANGES REQUIRED FOR EQUIPMENT PROPOSED THAT DIFFERS FROM THE BASIS OF DESIGN.
 - REFER TO ARCHITECTURAL REFLECTED CEILING PLAN, ELECTRICAL, TECHNOLOGY AUDIOVISUAL, AND OTHER MECHANICAL PLANS FOR EXACT LOCATIONS OF ALL CEILING MOUNTED DEVICES.
 - IN AREAS WITH DRYWALL, CEILINGS COORDINATE LOCATIONS OF ACCESS PANELS WITH THE GC FOR ACCESS TO VALVES, DUCTWORK ACCESSORIES, DAMPERS, ETC. COORDINATE PANEL TYPE AND COLOR WITH ARCHITECT. NOTIFY THE GC OF THE REQUIRED ACCESS PANELS PRIOR TO BIDDING.
 - SEAL ALL FLOOR, WALL, AND ROOF PENETRATIONS AIRTIGHT WHERE PIPING PENETRATES. PENETRATIONS THROUGH EXTERIOR WALLS AND ROOF SHALL BE SEALED AIRTIGHT WITH WATERPROOFING MATERIALS RECOMMENDED BY MANUFACTURER FOR OUTDOOR USE.
 - CAULK ALL PIPE AND DUCT PENETRATIONS OF FULL HEIGHT NON-FIRE RATED WALL, PARTITION, FLOOR, AND ROOF ASSEMBLIES. THIS IS ESSENTIAL TO PREVENT NOISE TRANSMISSION FROM ONE ROOM TO ANOTHER AND TO PROVIDE THE DESIRED NC LEVELS WITHIN ROOMS.
 - WHERE PIPES ARE SHOWN TO PENETRATE FLOORS, PROVIDE SLEEVED OPENINGS WITH THE TOP EDGE RAISED ABOVE FLOOR SURFACE IN ACCORDANCE WITH ALL RELEVANT SPEC SECTIONS. SEAL SLEEVE PERIMETER TO BE WATERTIGHT.
 - EQUIPMENT SIZES AND SERVICE CLEARANCE REQUIREMENTS VARY BETWEEN DIFFERENT MANUFACTURERS. CONSULT APPROVED SHOP DRAWINGS FOR EQUIPMENT SIZES AND REQUIRED SERVICE CLEARANCES. COORDINATE WITH LAYOUT OF EQUIPMENT PADS, PIPING, DUCTWORK, ETC.
 - DO NOT BLOCK EQUIPMENT SERVICE CLEARANCES.
 - MAINTAIN MINIMUM 3" CLEARANCE IN FRONT OF ALL ELECTRICAL PANELS, MOTOR STARTERS, SWITCHES, AND DISCONNECTS.
 - PROVIDE CONCRETE EQUIPMENT PAD FOR ALL FLOOR MOUNTED EQUIPMENT. PAD SHALL EXTEND MINIMUM 6" BEYOND ALL SIDES OF EQUIPMENT.
 - DO NOT SUPPORT EQUIPMENT, PIPING, OR DUCTWORK FROM METAL DECKING OR OTHER NON-STRUCTURAL BUILDING ELEMENTS. ANCHORS EMBEDDED IN CONCRETE SHALL BE CRACKED CONCRETE APPROVED IN ACCORDANCE WITH SPECIFICATIONS.
 - VERIFY UNDERGROUND PIPE INVERT ELEVATIONS AND LOCATIONS PRIOR TO BEGINNING ANY WORK.
 - REFER TO THE PLUMBING ROUGH-IN SCHEDULE FOR THE SIZES OF BRANCH PIPES TO PLUMBING FIXTURES. ALL OTHER PIPING SHALL BE 3/4" UNLESS OTHERWISE NOTED.
 - FOR CLARITY, NOT ALL VALVES HAVE BEEN SHOWN. PROVIDE SHUTOFF VALVES IN DOMESTIC WATER PIPING SERVING EACH ROOM WITH FIXTURES. ANGLE STOPS SHALL NOT BE CONSIDERED SHUTOFF VALVES.

PLUMBING SYMBOL LIST	
SYMBOL:	DESCRIPTION:
	COLD WATER - POTABLE
	SANITARY DRAINAGE (GREASE LADEN)
	HOT WATER - POTABLE
	HOT WATER CIRCULATING - POTABLE
	HOT WATER - POTABLE NUMBER INDICATES TEMP
	HOT WATER CIRC. - POTABLE NUMBER INDICATES TEMP
	PUMPED DISCHARGE
	SANITARY DRAINAGE
	STORM DRAINAGE (ROOF SQUARE FOOTAGE)
	STORM DRAINAGE (SECONDARY)
	VENT
	SERVICE WATER - POTABLE
	PIPE CAP
	PIPE DOWN
	PIPE UP OR UP/DOWN
	PIPE SERVING FIXTURE ON FLOOR ABOVE (EXAMPLE: FD = FLOOR DRAIN)
	UNDERFLOOR PIPING (LONG DASHES)
	PITCH PIPE IN DIRECTION
	DIRECTION OF FLOW IN PIPE
	ROOF DRAIN PROPERTIES SYMBOL SIZE (ROOF SQ. FT.)
	NEW
	DIELECTRIC CONNECTION
	UNION/FLANGE
	SHUTOFF VALVE NORMALLY OPEN
	SHUTOFF VALVE NORMALLY CLOSED
	BALANCING VALVE (NUMBER INDICATES GPM)
	CHECK VALVE
	REDUCER - REFERENCE SPECIFICATION FOR CONCENTRIC/ECCENTRIC AND FOT:FOB
	FLOW SENSOR FOR SECONDARY STORM
	METER

PLUMBING ABBREVIATION KEY	
ABBR:	DESCRIPTION:
AD	ACCESS DOOR
AFF	ABOVE FINISHED FLOOR
BFP	BACKFLOW PREVENTER
CO	CLEANOUT
DF	DRINKING FOUNTAIN
FCO	FLOOR CLEANOUT
FD	FLOOR DRAIN
FFD	FUNNEL FLOOR DRAIN
FS	FLOOR SINK
GI	GREASE INTERCEPTOR
HB	HOSE BIBB
I.E.	INVERT ELEVATION (FOR REFERENCE ONLY)
LAV	LAVATORY
MB	MOP BASIN
MV	MIXING VALVE
RD	ROOF DRAIN
SCW	SOFT COLD WATER
SK	SINK
UR	URINAL
VTR	VENT THROUGH ROOF
WC	WATER CLOSET
WCO	WALL CLEANOUT
WH	WATER HEATER
WHA	WATER HAMMER ARRESTOR
YCO	YARD CLEANOUT

FIRE BARRIER DESIGNATIONS

THE SYMBOLS SHOWN ARE FOR THE CONVENIENCE OF THE CONTRACTOR. THE CONTRACTOR SHALL VERIFY RATINGS WITH THE LATEST SET OF ARCHITECTURAL PLANS AND FURNISH ALL MATERIALS REQUIRED TO COMPLY WITH THOSE RATINGS WHETHER SHOWN OR NOT.

ALL FLOOR, FLOOR CEILING, AND ROOF CEILING ASSEMBLIES SHALL BE DESIGNATED AS 1 HOUR FIRE BARRIERS, UNLESS NOTED OTHERWISE ON THE PLANS. RATINGS WERE ACQUIRED FROM THE ARCHITECTURAL PLANS DATED 08/12/2015.

1 HOUR FIRE BARRIER	-----
---------------------	-------

VIEW KEY

LINE TYPE KEY:

- NEW WORK BY THIS CONTRACTOR (DARK SOLID LINE)
- NEW WORK UNDERFLOOR OR UNDERGROUND BY THIS CONTRACTOR (DARK LONG DASHED LINE)
- NEW WORK BY OTHERS AND/OR EXISTING TO REMAIN (LIGHT SOLID LINE)
- EXISTING TO BE REMOVED BY THIS CONTRACTOR (DARK SHORT DASHED LINE)

PLUMBING SHEET INDEX	
P0.00	PLUMBING COVER SHEET
P1.01	UNDER FLOOR PLAN - WEST - PLUMBING
P1.02	UNDER FLOOR PLAN - EAST - PLUMBING
P1.11	LEVEL 1 PLAN - WEST - PLUMBING
P1.12	LEVEL 1 PLAN - EAST - PLUMBING
P1.21	LEVEL 2 PLAN - WEST - PLUMBING
P1.22	LEVEL 2 PLAN - EAST - PLUMBING
P1.31	ROOF PLAN - WEST - PLUMBING
P1.32	ROOF PLAN - EAST - PLUMBING
P3.00	ENLARGED PLANS - PLUMBING
P3.01	ENLARGED PLANS - PLUMBING
P3.02	ENLARGED PLANS - PLUMBING
P3.03	ENLARGED PLANS - PLUMBING
P4.00	PLUMBING DETAILS
P4.01	PLUMBING DETAILS
P4.02	PLUMBING DETAILS
P5.00	PLUMBING MATERIAL LIST

KJW ENGINEERING CONSULTANTS
 1125 WARRENVILLE ROAD, SUITE 400W
 NAPERVILLE, ILLINOIS 60563
 630.527.2320 FAX: 630.527.2321
 WWW.KJW.COM
 PROJECT # 14-043.00
 SHEET DESIGN FIRM REGISTRATION #18-08073

KJW ENGINEERING RESERVES PROPRIETARY RIGHTS, INCLUDING COPYRIGHTS, TO THIS DRAWING AND THE DATA SHOWN THEREON. THIS DRAWING AND/OR DATA ARE THE EXCLUSIVE PROPERTY OF KJW ENGINEERING AND SHALL NOT BE USED OR REPRODUCED FOR ANY OTHER PROJECT WITHOUT THE EXPRESS WRITTEN APPROVAL AND PARTICIPATION OF KJW ENGINEERING. © 2015 KJW, P.C.

REFERENCE SCALE IN INCHES
 0 1 2 3



ARCHITECT OF RECORD
DEMONICA KEMPER ARCHITECTS
 125 N. HALSTED STREET, SUITE 301
 CHICAGO, IL 60661
 P: 312.496.0000

STRUCTURAL AND MEP/FP ENGINEERING
KJWW ENGINEERING CONSULTANTS
 1100 WARRENVILLE RD., SUITE 400W
 NAPERVILLE, IL 60563
 P: 630.527.2320

FOOD SERVICE CONSULTANT
CINI LITTLE INTERNATIONAL, INC.
 200 E. HOWARD AVE., SUITE 212
 DES PLAINES, IL 60018
 P: 847.298.0088

JOLIET JUNIOR COLLEGE
ROMEIOVILLE CAMPUS EXPANSION
 1125 135th ST. ROMEIOVILLE, IL 60446
 DKA PROJECT NO: 14-005

KEY PLAN:

SHEET STATUS: 9/21/15
ISSUED FOR CONSTRUCTION

NO.	DESCRIPTION:	DATE:

SHEET TITLE:
PLUMBING COVER SHEET

SHEET NUMBER:

P0.00

KEYNOTES: **#**
 1. PROVIDE MANHOLE AT 5' OUTSIDE OF THE BUILDING. REFER TO SPECIFICATION 22.10.30 FOR MORE INFORMATION.



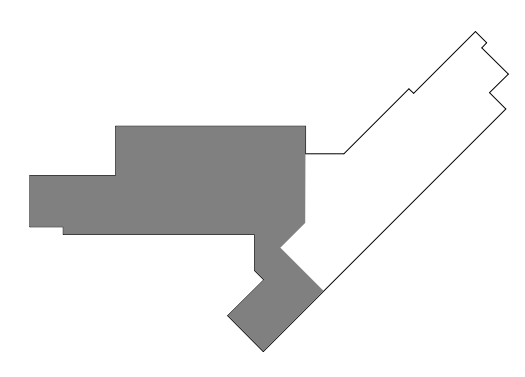
ARCHITECT OF RECORD
DEMONICA KEMPER ARCHITECTS
 125 N. HALSTED STREET, SUITE 301
 CHICAGO, IL 60661
 P: 312.496.0000

STRUCTURAL AND MEP/FP ENGINEERING
KJWW ENGINEERING CONSULTANTS
 1100 WARRENVILLE RD., SUITE 400W
 NAPERVILLE, IL 60563
 P: 630.527.2320

FOOD SERVICE CONSULTANT
CINI LITTLE INTERNATIONAL, INC.
 200 E. HOWARD AVE., SUITE 212
 DES PLAINES, IL 60018
 P: 847.298.0068

JOLIET JUNIOR COLLEGE
ROMEORVILLE CAMPUS EXPANSION
 1125 135th ST. ROMEORVILLE, IL 60446
 DKA PROJECT NO: 14-005

KEY PLAN:



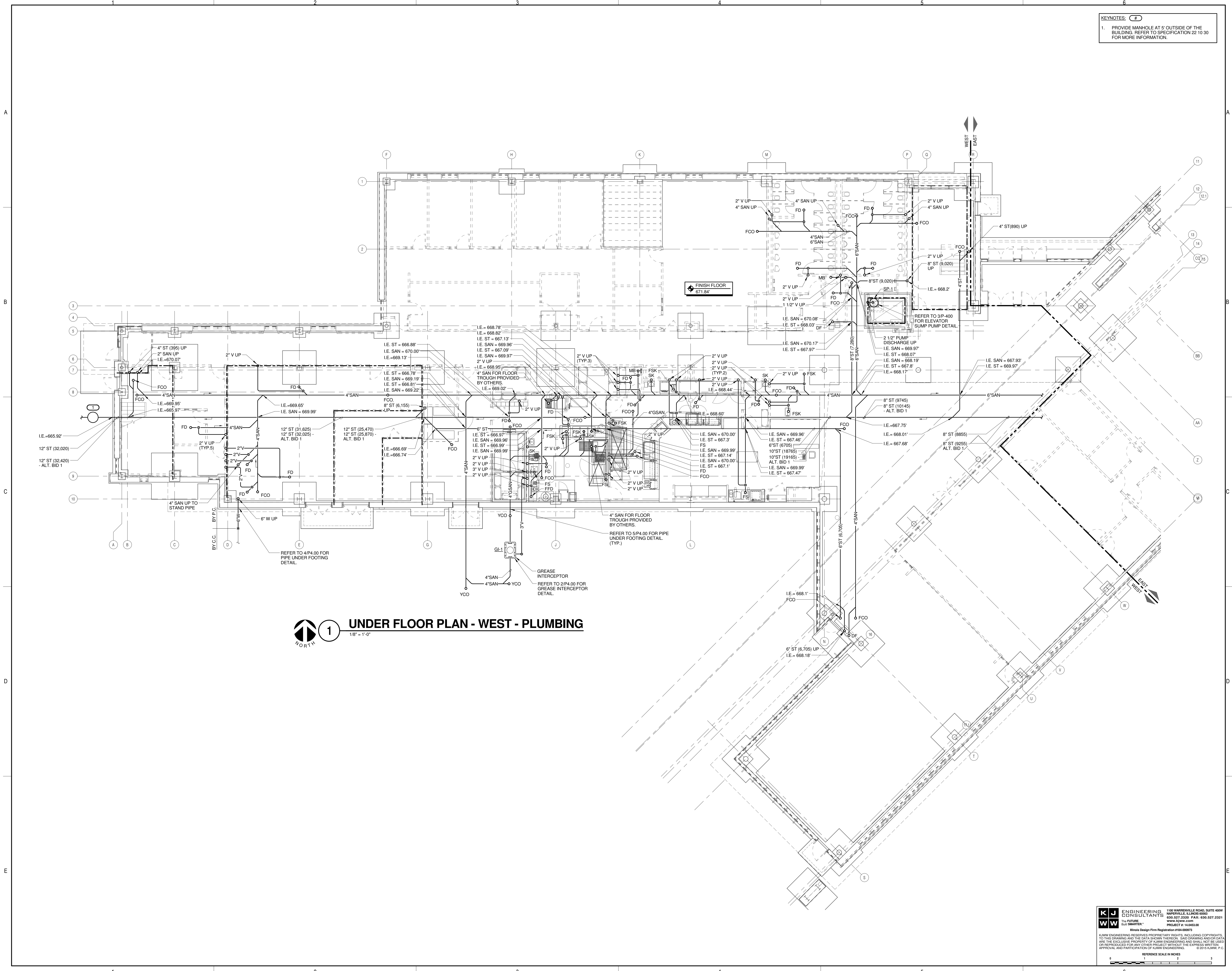
SHEET STATUS: 9/21/15
ISSUED FOR CONSTRUCTION

NO.	DESCRIPTION:	DATE:

SHEET TITLE:
UNDER FLOOR PLAN - WEST - PLUMBING

SHEET NUMBER:

P1.01



1 UNDER FLOOR PLAN - WEST - PLUMBING
 1/8" = 1'-0"

KJWW ENGINEERING CONSULTANTS
 1100 WARRENVILLE ROAD, SUITE 400W
 NAPERVILLE, IL 60563
 630.527.2320 FAX: 630.527.2321
 WWW.KJWW.COM
 PROJECT # 14-005-00
 DESIGN FIRM REGISTRATION #18-06073
 KJWW ENGINEERING RESERVES PROPRIETARY RIGHTS, INCLUDING COPYRIGHTS, TO THIS DRAWING AND THE DATA SHOWN THEREON. SAID DRAWING AND/OR DATA ARE THE EXCLUSIVE PROPERTY OF KJWW ENGINEERING AND SHALL NOT BE USED OR REPRODUCED FOR ANY OTHER PROJECT WITHOUT THE EXPRESS WRITTEN APPROVAL AND PARTICIPATION OF KJWW ENGINEERING. © 2015 KJWW, P.C.

REFERENCE SCALE IN INCHES
 0 1 2 3



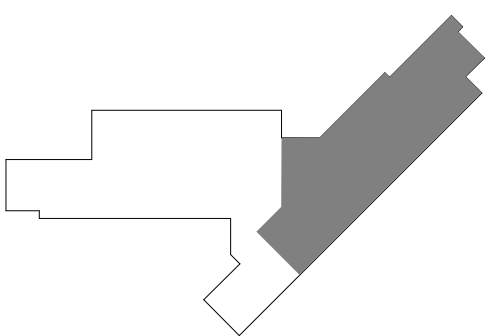
ARCHITECT OF RECORD
DEMONICA KEMPER ARCHITECTS
 125 N. HALSTED STREET, SUITE 301
 CHICAGO, IL 60661
 P: 312.496.0000

STRUCTURAL AND MEP/FP ENGINEERING
KJWW ENGINEERING CONSULTANTS
 1100 WARRENVILLE RD., SUITE 400W
 NAPERVILLE, IL 60563
 P: 630.527.2320

FOOD SERVICE CONSULTANT
CINI LITTLE INTERNATIONAL, INC.
 200 E. HOWARD AVE., SUITE 212
 DES PLAINES, IL 60018
 P: 847.238.0088

**JOLIET JUNIOR COLLEGE
 ROMEOVILLE CAMPUS EXPANSION**
 1125 135th ST. ROMEOVILLE, IL 60446
 DKA PROJECT NO: 14-005

KEY PLAN:

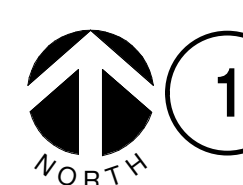
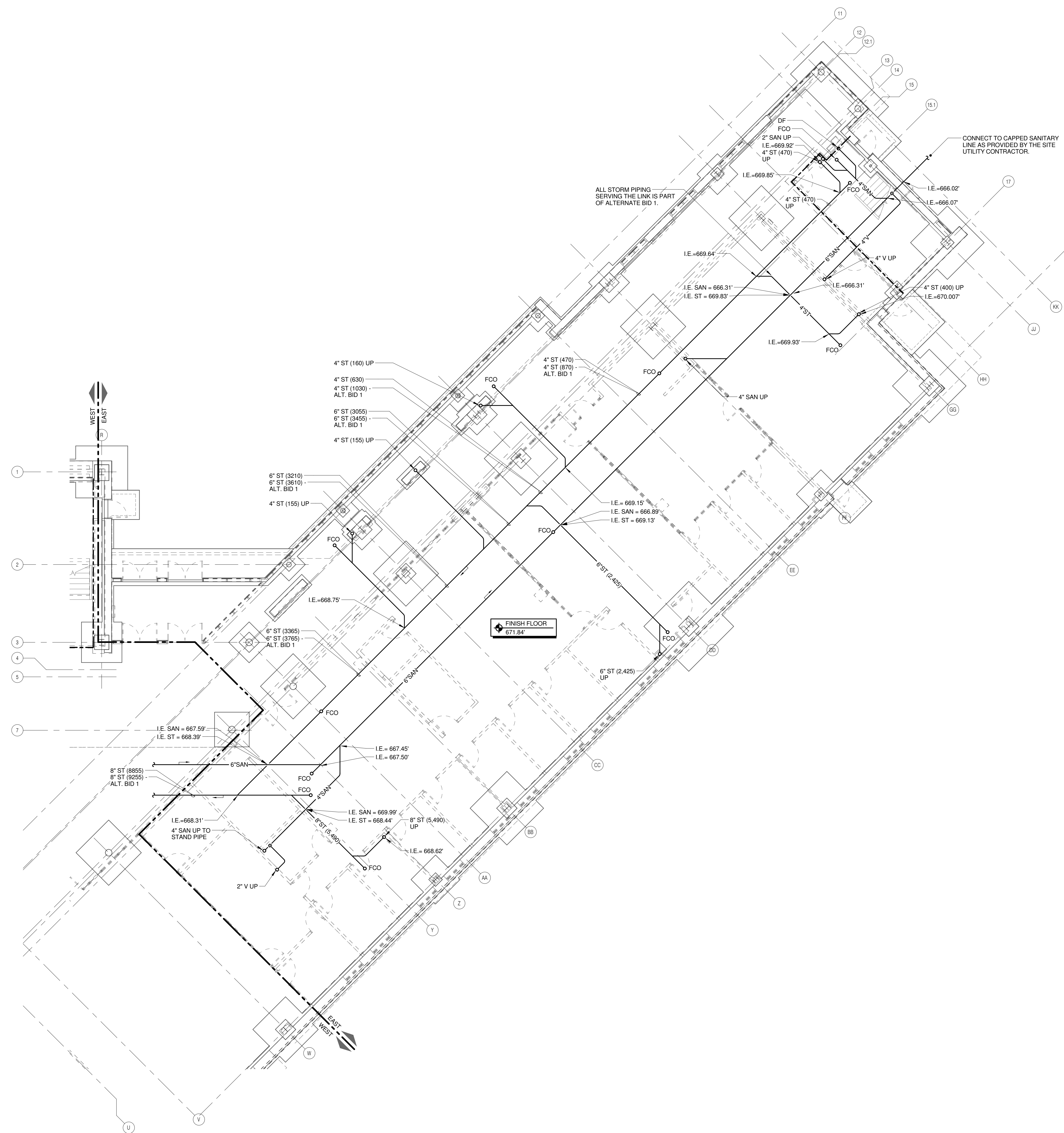


SHEET STATUS: 9/21/15
**ISSUED FOR
 CONSTRUCTION**

NO.	DESCRIPTION:	DATE:

SHEET TITLE:
**UNDER FLOOR PLAN
 - EAST - PLUMBING**

SHEET NUMBER:
P1.02



1 UNDER FLOOR PLAN - EAST - PLUMBING
 1/8" = 1'-0"

KJWW ENGINEERING CONSULTANTS
 1100 WARRENVILLE ROAD, SUITE 400W
 NAPERVILLE, IL 60563
 630.527.2320 FAX: 630.527.2321
 WWW.KJWW.COM
 PROJECT # 14-005-00

KJWW ENGINEERING RESERVES PROPRIETARY RIGHTS, INCLUDING COPYRIGHTS, TO THIS DRAWING AND THE DATA SHOWN THEREON. SAID DRAWING AND/OR DATA ARE THE EXCLUSIVE PROPERTY OF KJWW ENGINEERING AND SHALL NOT BE USED OR REPRODUCED FOR ANY OTHER PROJECT WITHOUT THE EXPRESS WRITTEN APPROVAL AND PARTICIPATION OF KJWW ENGINEERING. © 2015 KJWW, P.C.

REFERENCE SCALE IN INCHES
 0 1 2 3



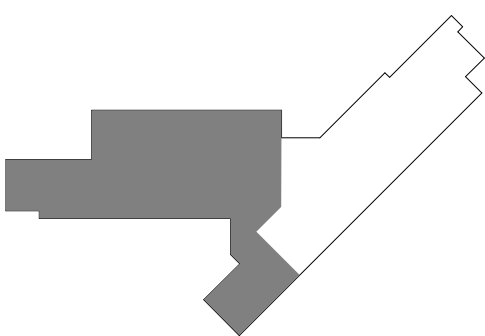
ARCHITECT OF RECORD
DEMONICA KEMPER ARCHITECTS
 125 N. HALSTED STREET, SUITE 301
 CHICAGO, IL 60661
 P: 312.496.0000

STRUCTURAL AND MEP/FP ENGINEERING
KJWW ENGINEERING CONSULTANTS
 1100 WARRENVILLE RD., SUITE 400W
 NAPERVILLE, IL 60563
 P: 630.527.2320

FOOD SERVICE CONSULTANT
CINI LITTLE INTERNATIONAL, INC.
 200 E. HOWARD AVE., SUITE 212
 DES PLAINES, IL 60018
 P: 847.298.0088

**JOLIET JUNIOR COLLEGE
 ROMEVILLE CAMPUS EXPANSION**
 1125 135th ST. ROMEVILLE, IL 60446
 DKA PROJECT NO: 14-005

KEY PLAN:



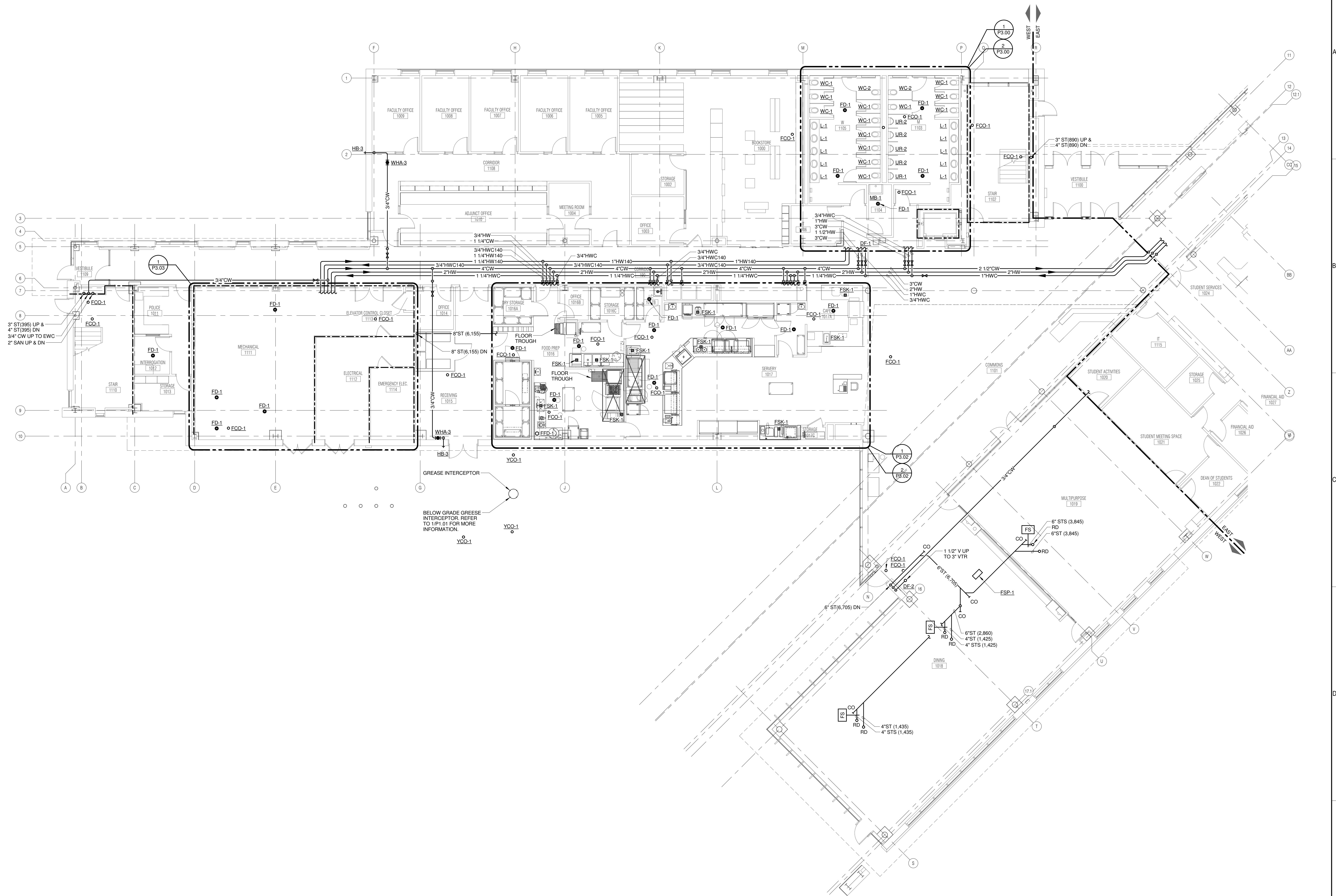
SHEET STATUS: 9/21/15
**ISSUED FOR
 CONSTRUCTION**

NO.	DESCRIPTION:	DATE:

SHEET TITLE:
**LEVEL 1 PLAN - WEST
 - PLUMBING**

SHEET NUMBER:

P1.11



1 LEVEL 1 PLAN - WEST - PLUMBING
 1/8" = 1'-0"

KJWW ENGINEERING CONSULTANTS
 1100 WARRENVILLE ROAD, SUITE 400W
 NAPERVILLE, IL 60563
 630.527.2320 FAX: 630.527.2321
 WWW.KJWW.COM

DESIGNER: DEMONICA KEMPER ARCHITECTS
 125 N. HALSTED STREET, SUITE 301
 CHICAGO, IL 60661
 312.496.0000

PROJECT # 14-005

KJWW ENGINEERING RESERVES PROPRIETARY RIGHTS, INCLUDING COPYRIGHTS, TO THIS DRAWING AND THE DATA SHOWN THEREON. SAID DRAWING AND/OR DATA ARE THE EXCLUSIVE PROPERTY OF KJWW ENGINEERING AND SHALL NOT BE USED OR REPRODUCED FOR ANY OTHER PROJECT WITHOUT THE EXPRESS WRITTEN APPROVAL AND PARTICIPATION OF KJWW ENGINEERING. © 2015 KJWW, P.C.

REFERENCE SCALE IN INCHES

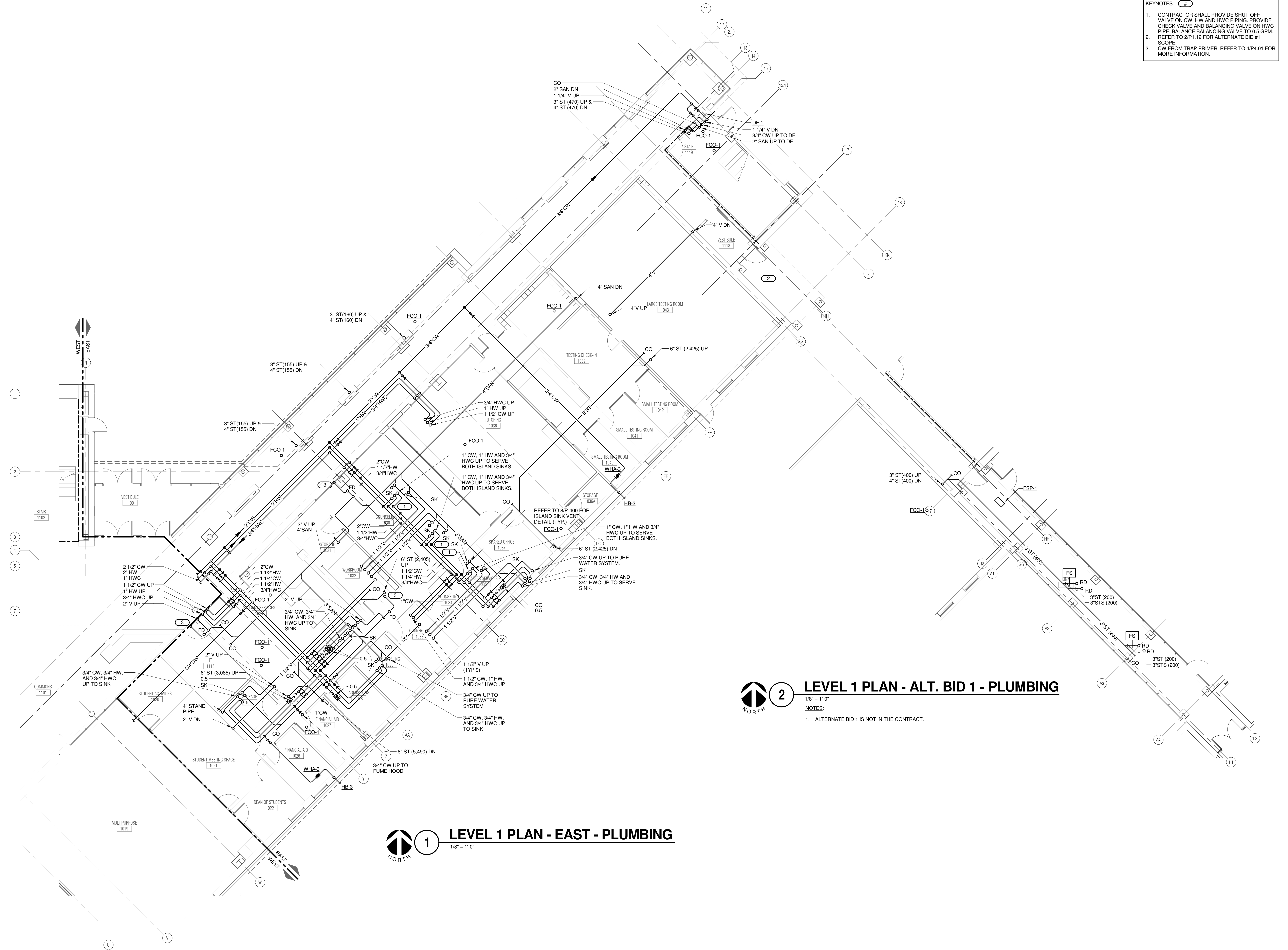


ARCHITECT OF RECORD
DEMONICA KEMPER ARCHITECTS
 125 N. HALSTED STREET, SUITE 301
 CHICAGO, IL 60661
 P: 312.496.0000

STRUCTURAL AND MEP/FP ENGINEERING
KJWW ENGINEERING CONSULTANTS
 1100 WARRENVILLE RD., SUITE 400W
 NAPERVILLE, IL 60563
 P: 630.527.2320

FOOD SERVICE CONSULTANT
CINI LITTLE INTERNATIONAL, INC.
 200 E. HOWARD AVE., SUITE 212
 DES PLAINES, IL 60018
 P: 847.238.0088

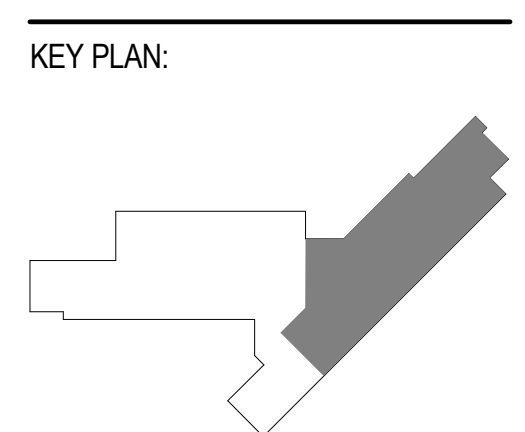
- KEYNOTES:**
- CONTRACTOR SHALL PROVIDE SHUT-OFF VALVE ON CW, HW AND HWC PIPING. PROVIDE CHECK VALVE AND BALANCING VALVE ON HWC PIPE. BALANCE BALANCING VALVE TO 0.5 GPM. REFER TO 2/P1.12 FOR ALTERNATE BID #1 SCOPE.
 - CW FROM TRAP PRIMER. REFER TO 4/P4.01 FOR MORE INFORMATION.



2 LEVEL 1 PLAN - ALT. BID 1 - PLUMBING
 1/8" = 1'-0"
 NOTES:
 1. ALTERNATE BID 1 IS NOT IN THE CONTRACT.

1 LEVEL 1 PLAN - EAST - PLUMBING
 1/8" = 1'-0"

JOLIET JUNIOR COLLEGE
ROMEORVILLE CAMPUS EXPANSION
 1125 135th ST. ROMEORVILLE, IL 60446
 DKA PROJECT NO: 14-005



SHEET STATUS: 9/21/15
ISSUED FOR CONSTRUCTION

NO.	DESCRIPTION:	DATE:

SHEET TITLE:
LEVEL 1 PLAN - EAST - PLUMBING

SHEET NUMBER:

P1.12

KJWW ENGINEERING CONSULTANTS
 1100 WARRENVILLE ROAD, SUITE 400W
 NAPERVILLE, IL 60563
 630.527.2320 FAX: 630.527.2321
 WWW.KJWW.COM

WJW ENGINEERING CONSULTANTS
 1100 WARRENVILLE ROAD, SUITE 400W
 NAPERVILLE, IL 60563
 630.527.2320 FAX: 630.527.2321
 WWW.WJW.COM

Block Design Firm Registration #14-005-0075
 PROJECT # 14-005-00

KJWW ENGINEERING RESERVES PROPRIETARY RIGHTS, INCLUDING COPYRIGHTS, TO THIS DRAWING AND THE DATA SHOWN THEREON. SUCH DRAWING AND/OR DATA ARE THE EXCLUSIVE PROPERTY OF KJWW ENGINEERING AND SHALL NOT BE USED OR REPRODUCED FOR ANY OTHER PROJECT WITHOUT THE EXPRESS WRITTEN APPROVAL AND PARTICIPATION OF KJWW ENGINEERING. © 2015 KJWW, P.C.

REFERENCE SCALE IN INCHES
 0 1 2 3



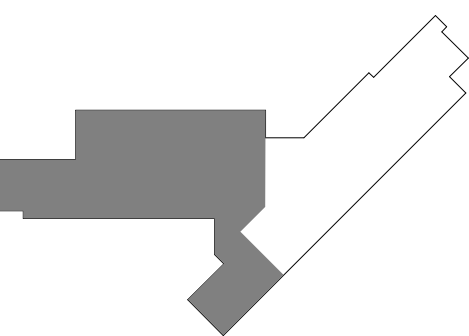
ARCHITECT OF RECORD
DEMONICA KEMPER ARCHITECTS
 125 N. HALSTED STREET, SUITE 301
 CHICAGO, IL 60661
 P: 312.496.0000

STRUCTURAL AND MEPFP ENGINEERING
KJWW ENGINEERING CONSULTANTS
 1100 WARRENVILLE RD., SUITE 400W
 NAPERVILLE, IL 60563
 P: 630.527.2320

FOOD SERVICE CONSULTANT
CINI LITTLE INTERNATIONAL, INC.
 200 E. HOWARD AVE., SUITE 212
 DES PLAINES, IL 60018
 P: 847.288.0088

**JOLIET JUNIOR COLLEGE
 ROMEOVILLE CAMPUS EXPANSION**
 1125 135th ST. ROMEOVILLE, IL 60446
 DKA PROJECT NO: 14-005

KEY PLAN:



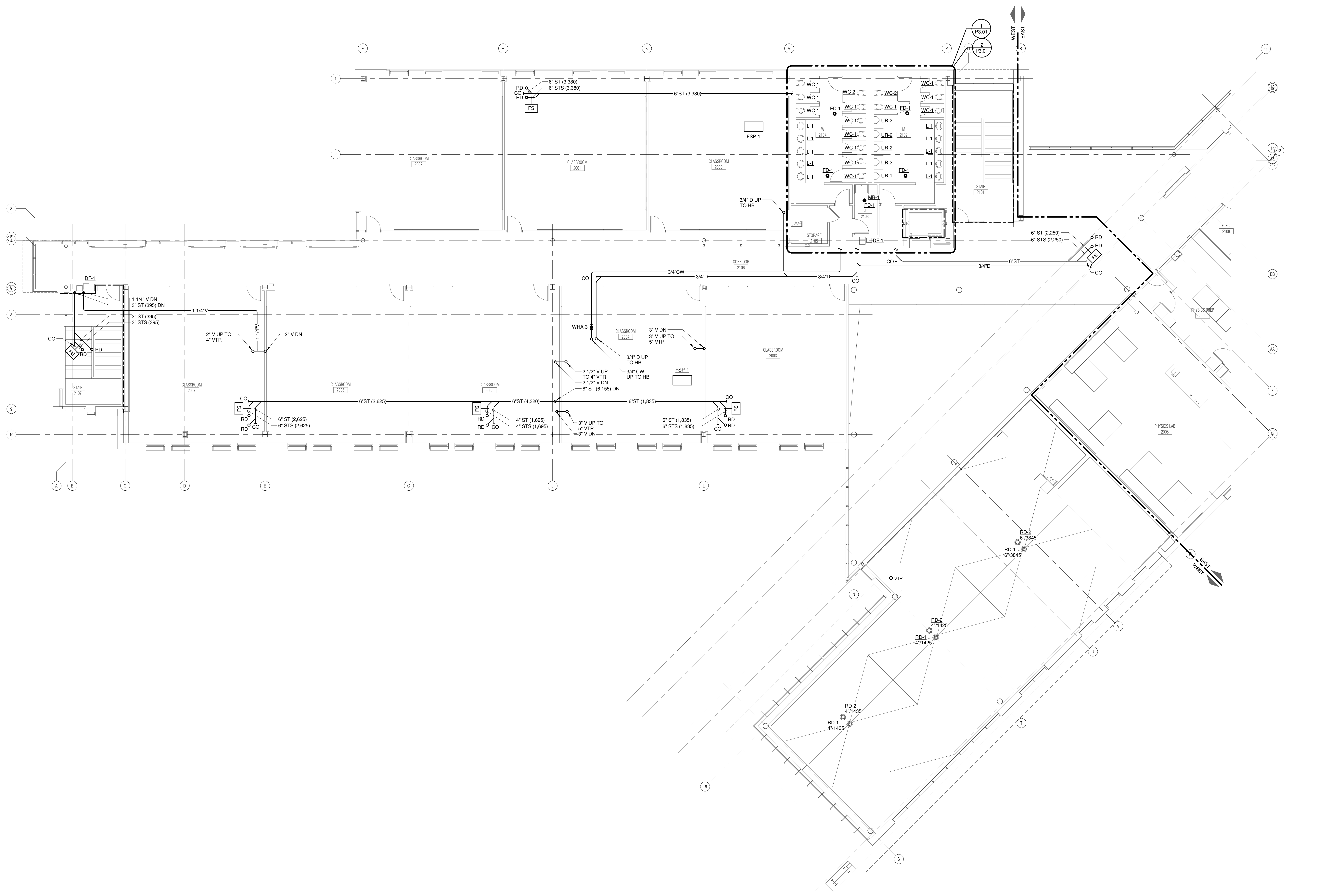
SHEET STATUS: 9/21/15
**ISSUED FOR
 CONSTRUCTION**

NO.	DESCRIPTION:	DATE:

SHEET TITLE:
**LEVEL 2 PLAN - WEST
 - PLUMBING**

SHEET NUMBER:

P1.21



1 LEVEL 2 PLAN - WEST - PLUMBING
 1/8" = 1'-0"

KJWW ENGINEERING CONSULTANTS
 1100 WARRENVILLE ROAD, SUITE 400W
 NAPERVILLE, IL 60563
 630.527.2320 FAX: 630.527.2321
 WWW.KJWW.COM

THE REGISTERED PROFESSIONAL ENGINEER
 PROJECT # 14-005-00

Illinois Design Firm Registration #18-000773

KJWW ENGINEERING RESERVES PROPRIETARY RIGHTS, INCLUDING COPYRIGHTS, TO THIS DRAWING AND THE DATA SHOWN THEREON. SUCH DRAWING AND/OR DATA ARE THE EXCLUSIVE PROPERTY OF KJWW ENGINEERING AND SHALL NOT BE USED OR REPRODUCED FOR ANY OTHER PROJECT WITHOUT THE EXPRESS WRITTEN APPROVAL AND PARTICIPATION OF KJWW ENGINEERING. © 2015 KJWW, P.C.

REFERENCE SCALE IN INCHES
 0 1 2 3

- KEYNOTES:**
- CONTRACTOR SHALL PROVIDE SHUT-OFF VALVE ON CW, HW AND HWC PIPING. PROVIDE CHECK VALVE AND BALANCING VALVE ON HWC PIPE. BALANCE BALANCING VALVE TO 0.5 GPM. PROVIDE AND INSTALL RECYCLE NEUTRALIZATION TANK NT-1. PROVIDE ACID WASTE PIPE BETWEEN DRAIN AND NEUTRALIZATION TANK. REFER TO 22 10 00 FOR ACID WASTE PIPE REQUIREMENTS.
 - ROUTE 3/4" CW PIPING AND MAKE FINAL CONNECTION TO FUME HOOD (PROVIDED AND INSTALLED BY OTHERS).

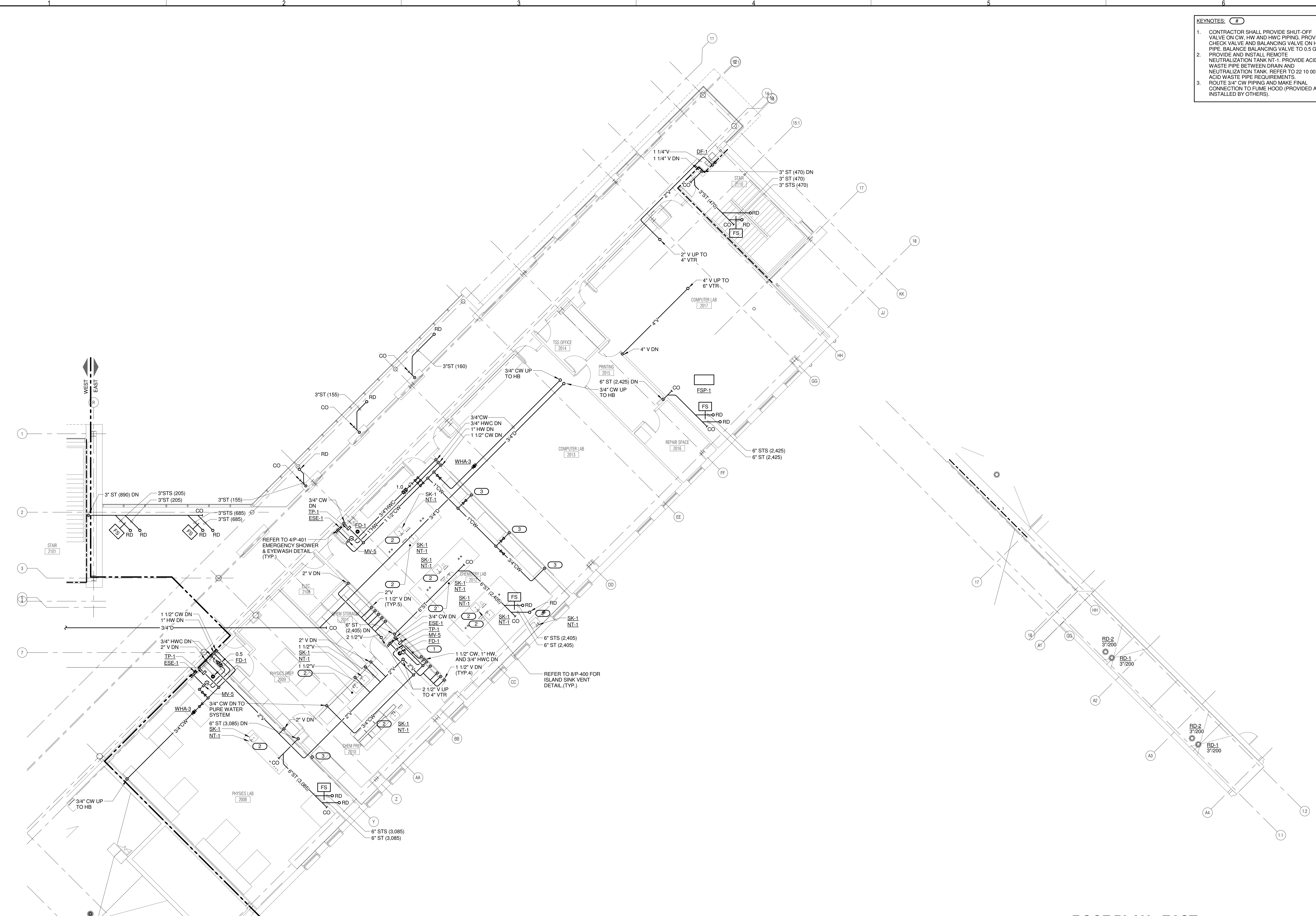


ARCHITECT OF RECORD
DEMONICA KEMPER ARCHITECTS
 125 N. HALSTED STREET, SUITE 301
 CHICAGO, IL 60661
 P: 312.496.0000

STRUCTURAL AND MEP/FP ENGINEERING
KJWW ENGINEERING CONSULTANTS
 1100 WARRENVILLE RD., SUITE 400W
 NAPERVILLE, IL 60563
 P: 630.527.2320

FOOD SERVICE CONSULTANT
CINI LITTLE INTERNATIONAL, INC.
 200 E. HOWARD AVE., SUITE 212
 DES PLAINES, IL 60018
 P: 847.298.0088

JOLIET JUNIOR COLLEGE
ROMEORVILLE CAMPUS EXPANSION
 1125 135th ST. ROMEORVILLE, IL 60446
 DKA PROJECT NO: 14-005



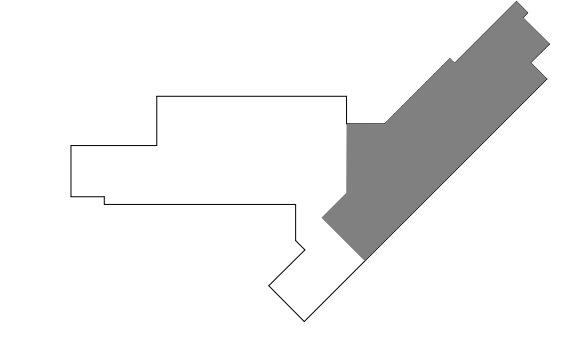
1 LEVEL 2 PLAN - EAST - PLUMBING
 1/8" = 1'-0"

2 ROOF PLAN - EAST - PLUMBING - ALT BID 1
 1/8" = 1'-0"

ROOF PLAN - EAST - PLUMBING - ALT BID 1

- NOTES:
 1. ALTERNATE BID 1 IS NOT IN THE CONTRACT.

KEY PLAN:



SHEET STATUS: 9/21/15
ISSUED FOR CONSTRUCTION

NO.	DESCRIPTION:	DATE:
3	ADDENDUM 3	09/03/15

SHEET TITLE:
LEVEL 2 PLAN - EAST - PLUMBING

SHEET NUMBER:
P1.22

KJWW ENGINEERING CONSULTANTS
 1100 WARRENVILLE ROAD, SUITE 400W
 NAPERVILLE, IL 60563
 630.527.2320 FAX: 630.527.2321
 WWW.KJWW.COM

W W ENGINEERING CONSULTANTS
 1100 WARRENVILLE ROAD, SUITE 400W
 NAPERVILLE, IL 60563
 630.527.2320 FAX: 630.527.2321
 WWW.KJWW.COM

Project # 14-005-00
 Design Firm Registration #14-005-00

KJWW ENGINEERING RESERVES PROPRIETARY RIGHTS, INCLUDING COPYRIGHTS, TO THIS DRAWING AND THE DATA SHOWN THEREON. SAID DRAWING AND/OR DATA ARE THE EXCLUSIVE PROPERTY OF KJWW ENGINEERING AND SHALL NOT BE USED OR REPRODUCED FOR ANY OTHER PROJECT WITHOUT THE EXPRESS WRITTEN APPROVAL AND PARTICIPATION OF KJWW ENGINEERING. © 2015 KJWW, P.C.

REFERENCE SCALE IN INCHES
 0 1 2 3



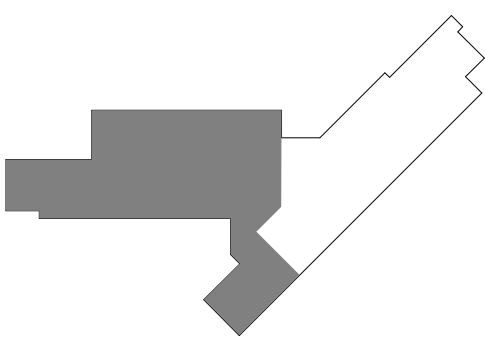
ARCHITECT OF RECORD
DEMONICA KEMPER ARCHITECTS
 125 N. HALSTED STREET, SUITE 301
 CHICAGO, IL 60661
 P: 312.496.0000

STRUCTURAL AND MEP/FP ENGINEERING
KJWW ENGINEERING CONSULTANTS
 1100 WARRENVILLE RD., SUITE 400W
 NAPERVILLE, IL 60563
 P: 630.527.2320

FOOD SERVICE CONSULTANT
CINI LITTLE INTERNATIONAL, INC.
 200 E. HOWARD AVE., SUITE 212
 DES PLAINES, IL 60018
 P: 847.288.0088

JOLIET JUNIOR COLLEGE
ROMEORVILLE CAMPUS EXPANSION
 1125 135th ST. ROMEORVILLE, IL 60446
 DKA PROJECT NO: 14-005

KEY PLAN:



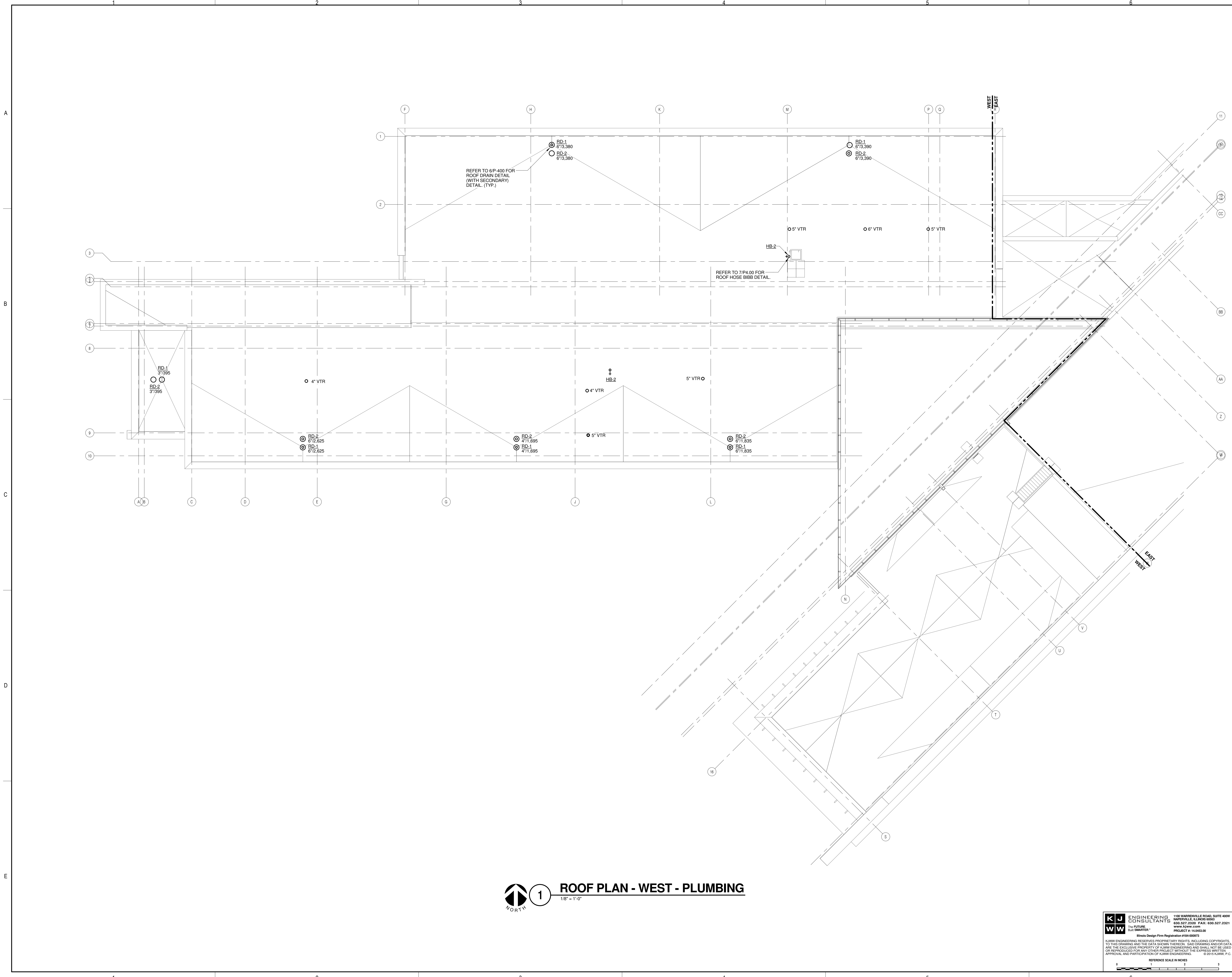
SHEET STATUS: 9/21/15
ISSUED FOR CONSTRUCTION

NO.	DESCRIPTION:	DATE:

SHEET TITLE:
ROOF PLAN - WEST - PLUMBING

SHEET NUMBER:

P1.31



1 ROOF PLAN - WEST - PLUMBING
 1/8" = 1'-0"

KJWW ENGINEERING CONSULTANTS
 1100 WARRENVILLE ROAD, SUITE 400W
 NAPERVILLE, IL 60563
 630.527.2320 FAX: 630.527.2321
 WWW.KJWW.COM
 PROJECT # 14-005-00

KJWW ENGINEERING RESERVES PROPRIETARY RIGHTS, INCLUDING COPYRIGHTS, TO THIS DRAWING AND THE DATA SHOWN THEREON. SAID DRAWING AND/OR DATA ARE THE EXCLUSIVE PROPERTY OF KJWW ENGINEERING AND SHALL NOT BE USED OR REPRODUCED FOR ANY OTHER PROJECT WITHOUT THE EXPRESS WRITTEN APPROVAL AND PARTICIPATION OF KJWW ENGINEERING. © 2015 KJWW, P.C.

REFERENCE SCALE IN INCHES
 0 1 2 3



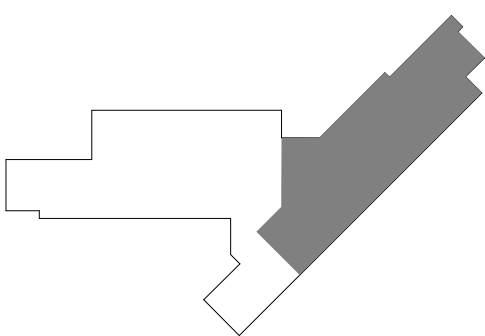
ARCHITECT OF RECORD
DEMONICA KEMPER ARCHITECTS
 125 N. HALSTED STREET, SUITE 301
 CHICAGO, IL 60661
 P: 312.496.0000

STRUCTURAL AND MEP/FP ENGINEERING
KJWW ENGINEERING CONSULTANTS
 1100 WARRENVILLE RD., SUITE 400W
 NAPERVILLE, IL 60563
 P: 630.527.2320

FOOD SERVICE CONSULTANT
CINI LITTLE INTERNATIONAL, INC.
 200 E. HOWARD AVE., SUITE 212
 DES PLAINES, IL 60018
 P: 847.298.0088

JOLIET JUNIOR COLLEGE
ROMEIOVILLE CAMPUS EXPANSION
 1125 135th ST. ROMEIOVILLE, IL 60446
 DKA PROJECT NO: 14-005

KEY PLAN:



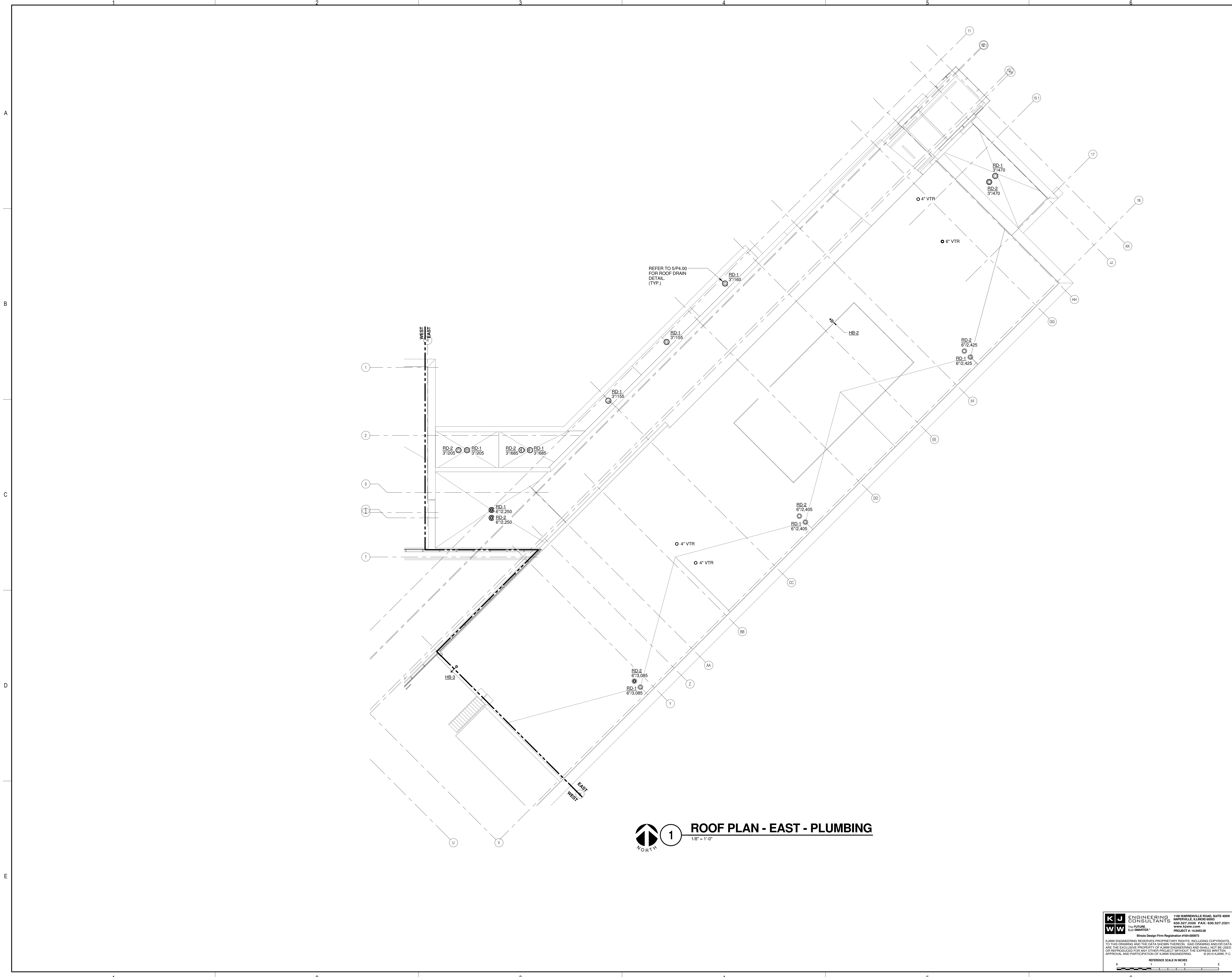
SHEET STATUS: 9/21/15
ISSUED FOR CONSTRUCTION

NO.	DESCRIPTION:	DATE:

SHEET TITLE:
ROOF PLAN - EAST - PLUMBING

SHEET NUMBER:

P1.32



1 ROOF PLAN - EAST - PLUMBING
 1/8" = 1'-0"

KJWW ENGINEERING CONSULTANTS
 1100 WARRENVILLE ROAD, SUITE 400W
 NAPERVILLE, IL 60563
 630.527.2320 FAX: 630.527.2321
 WWW.KJWW.COM

THE REGISTERED PROFESSIONAL ENGINEER
 PROJECT # 14-043.00
 Illinois Design Firm Registration #18-00873

KJWW ENGINEERING RESERVES PROPRIETARY RIGHTS, INCLUDING COPYRIGHTS, TO THIS DRAWING AND THE DATA SHOWN THEREON. SAID DRAWING AND/OR DATA ARE THE EXCLUSIVE PROPERTY OF KJWW ENGINEERING AND SHALL NOT BE USED OR REPRODUCED FOR ANY OTHER PROJECT WITHOUT THE EXPRESS WRITTEN APPROVAL AND PARTICIPATION OF KJWW ENGINEERING. © 2015 KJWW, P.C.

REFERENCE SCALE IN INCHES
 0 1 2 3



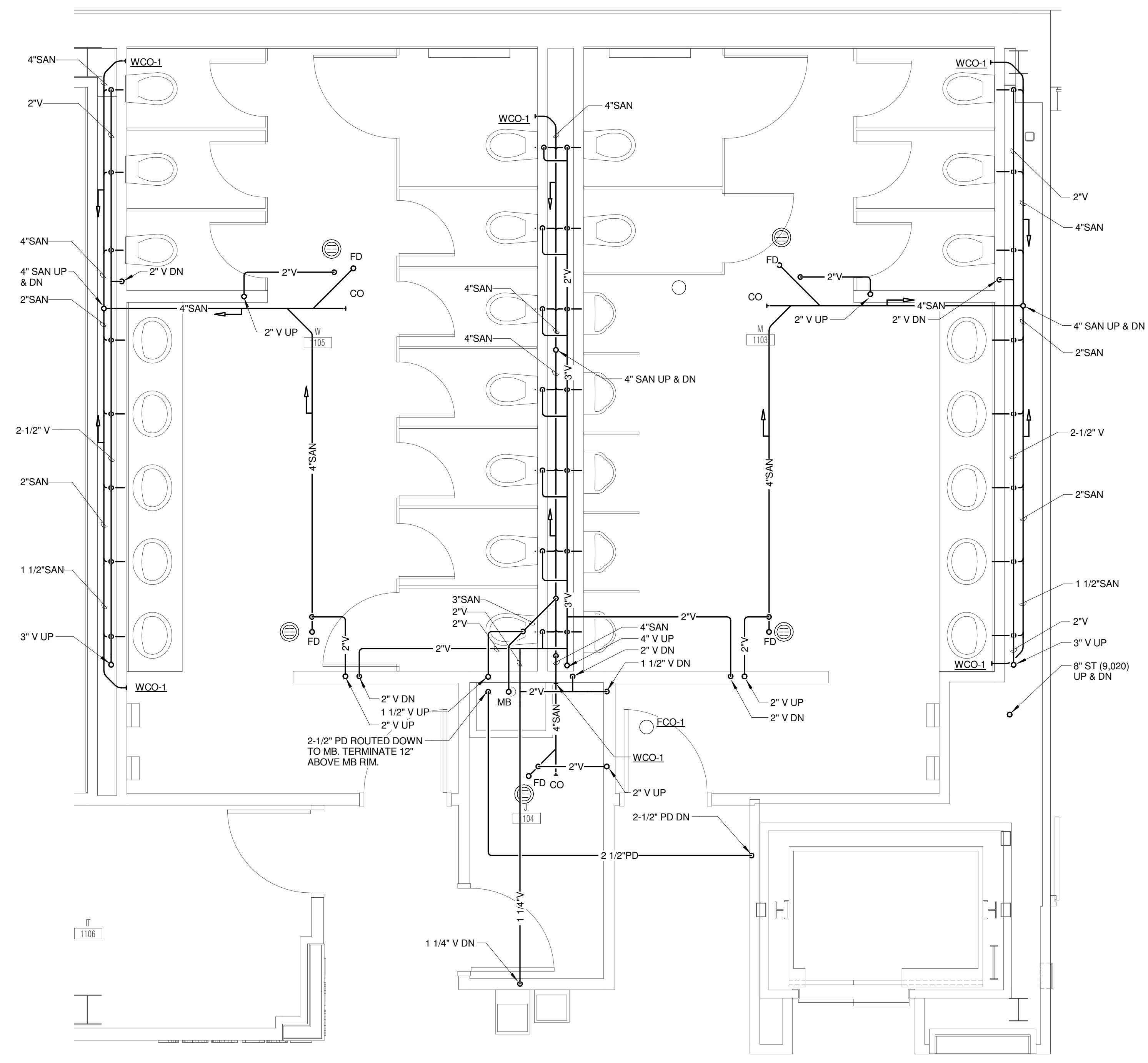
ARCHITECT OF RECORD
DEMONICA KEMPER ARCHITECTS
 125 N. HALSTED STREET, SUITE 301
 CHICAGO, IL 60661
 P: 312.496.0000

STRUCTURAL AND MEP/FP ENGINEERING
KJWW ENGINEERING CONSULTANTS
 1100 WARRENVILLE RD., SUITE 400W
 NAPERVILLE, IL 60563
 P: 630.527.2320

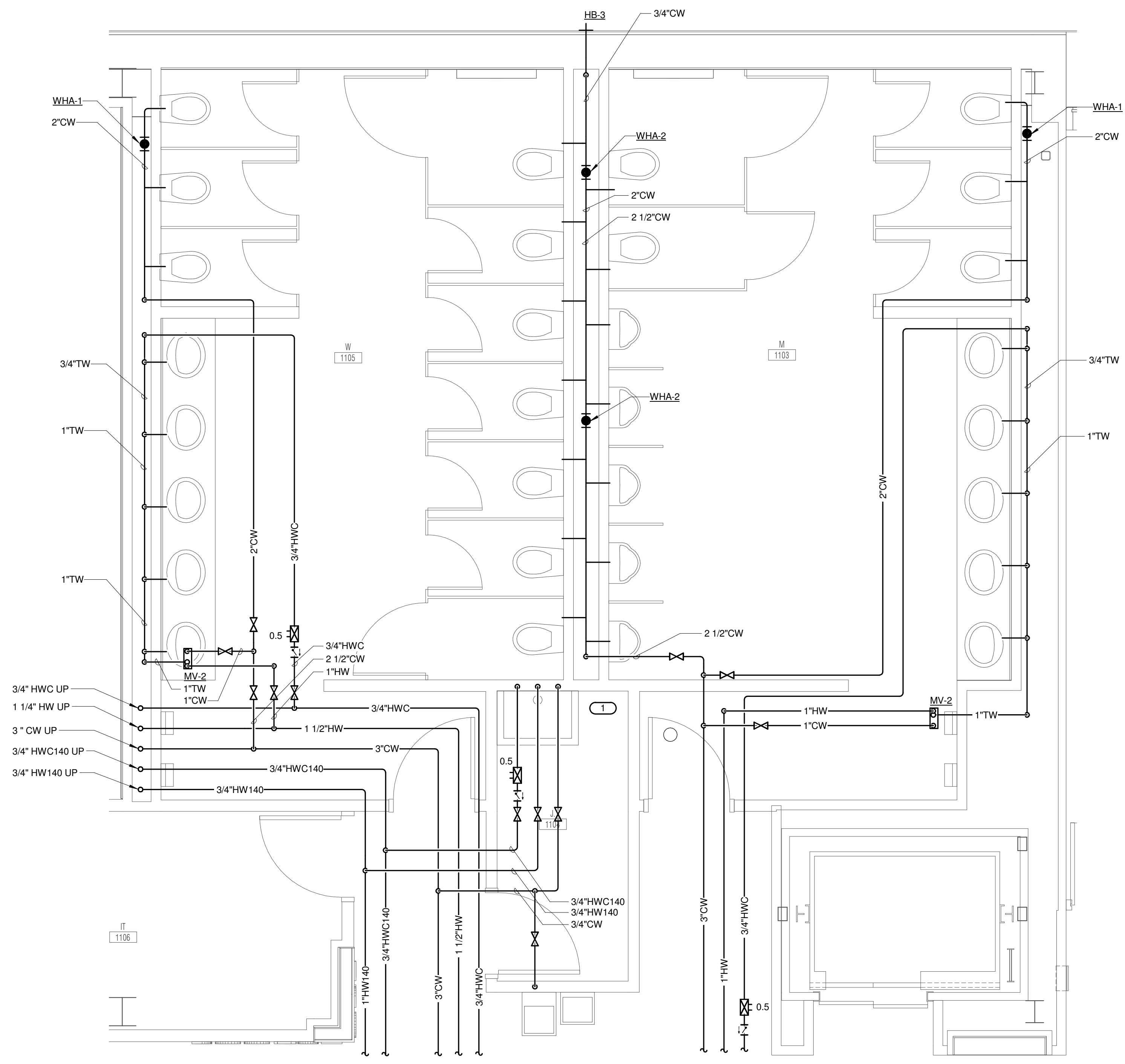
FOOD SERVICE CONSULTANT
CINI LITTLE INTERNATIONAL, INC.
 200 E. HOWARD AVE., SUITE 212
 DES PLAINES, IL 60018
 P: 847.298.0088

KEYNOTES:

1. EXTEND 3/4" CW & 3/4" HW140 PIPING TO SERVE MV-3. CONNECT 3/4" HWC140 TO HW140 PIPING WITHIN 3 FT OF THE MIXING VALVE. PROVIDE MANUAL BALANCING VALVE SET TO 0.5 GPM ON HWC140 BRANCH. EXTEND TW PIPING FROM MIXING VALVE TO BEP-1. DRAIN PIPING FROM BFP SHALL BE ROUTED TO MOP BASIN AND TERMINATE 6" ABOVE RIM. ROUTE TW FROM BFP TO BEP-1 FOR FUTURE CONNECTION TO CHEMICAL MIXING STATION (PROVIDED BY OTHERS). MV-3, BEP-1 AND BEP-1 SHALL ALL BE LOCATED ON THE WALL ADJACENT TO THE MOP BASIN IN AN ACCESSIBLE LOCATION (5'-0" AFF MAX). COORDINATE EXACT LOCATION WITH FUTURE CHEMICAL MIXING STATION.



1 ENLARGED PLUMBING PLAN - M 1103, W 1105 - SAN/VENT
 3/8" = 1'-0"



2 ENLARGED PLUMBING PLAN - M 1103, W 1105 - DOMESTIC
 3/8" = 1'-0"

KJWW ENGINEERING CONSULTANTS
 1100 WARRENVILLE ROAD, SUITE 400W
 NAPERVILLE, ILLINOIS 60563
 630.527.2320 FAX: 630.527.2321
 WWW.KJWW.COM
 PROJECT # 14-043.00
 Illinois Design Firm Registration #18-08073

KJWW ENGINEERING RESERVES PROPRIETARY RIGHTS, INCLUDING COPYRIGHTS, TO THIS DRAWING AND THE DATA SHOWN THEREON. SUCH DRAWING AND/OR DATA ARE THE EXCLUSIVE PROPERTY OF KJWW ENGINEERING AND SHALL NOT BE USED OR REPRODUCED FOR ANY OTHER PROJECT WITHOUT THE EXPRESS WRITTEN APPROVAL AND PARTICIPATION OF KJWW ENGINEERING. © 2015 KJWW, P.C.

REFERENCE SCALE IN INCHES
 0 1 2 3

**JOLIET JUNIOR COLLEGE
 ROMEOVILLE CAMPUS EXPANSION**
 1125 135th ST. ROMEOVILLE, IL 60446
 DKA PROJECT NO: 14-005

KEY PLAN:

SHEET STATUS: 9/21/15
ISSUED FOR CONSTRUCTION

NO.	DESCRIPTION:	DATE:

SHEET TITLE:
ENLARGED PLANS - PLUMBING

SHEET NUMBER:

P3.00



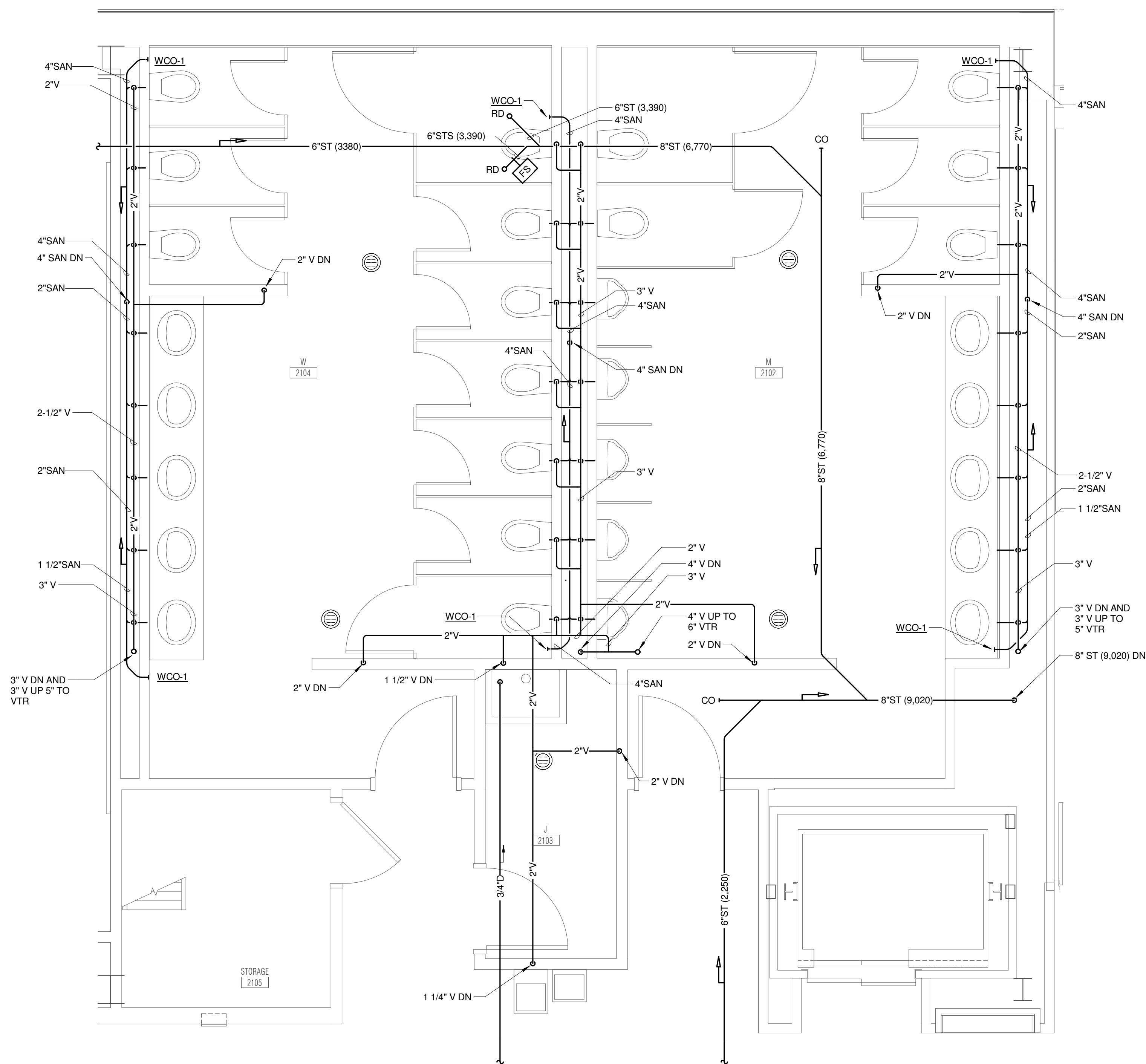
ARCHITECT OF RECORD
DEMONICA KEMPER ARCHITECTS
 125 N. HALSTED STREET, SUITE 301
 CHICAGO, IL 60661
 P: 312.496.0000

STRUCTURAL AND MEP/FP ENGINEERING
KJWW ENGINEERING CONSULTANTS
 1100 WARRENVILLE RD., SUITE 400W
 NAPERVILLE, IL 60563
 P: 630.527.2320

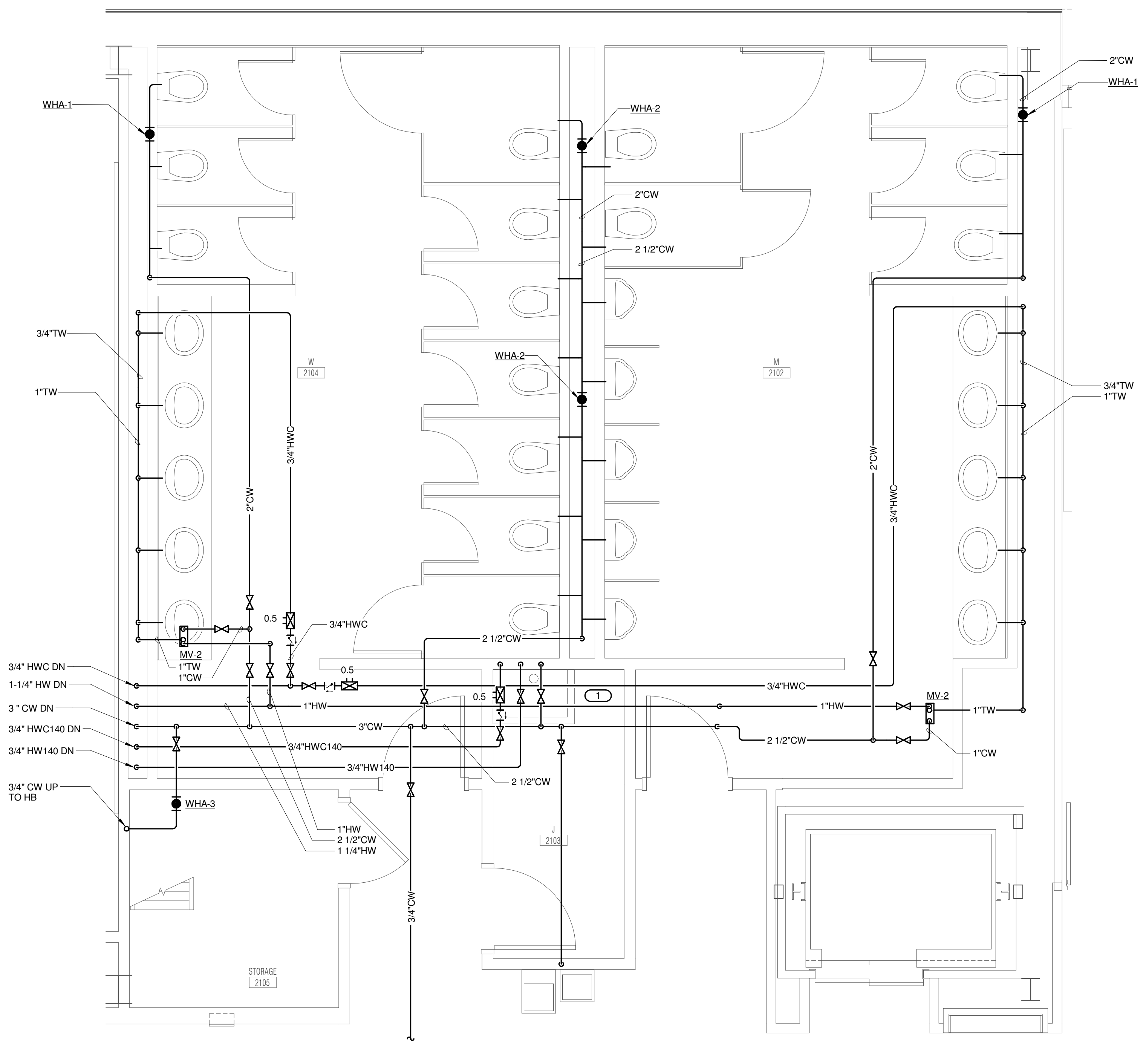
FOOD SERVICE CONSULTANT
CINI LITTLE INTERNATIONAL, INC.
 200 E. HOWARD AVE., SUITE 212
 DES PLAINES, IL 60018
 P: 847.298.0088

KEYNOTES: **#**

1. EXTEND 3/4" CW & 3/4" HW140 PIPING TO SERVE MV-3. CONNECT 3/4" HWC140 TO HW140 PIPING WITHIN 9 FT OF THE MIXING VALVE. PROVIDE MANUAL BALANCING VALVE SET TO 0.5 GPM ON HWC140 BRANCH. EXTEND TW PIPING FROM MIXING VALVE TO BEP-1. DRAIN PIPING FROM BEP SHALL BE ROUTED TO MOP BASIN AND TERMINATE 6" ABOVE RIM. ROUTE TW FROM BEP TO HB-1 FOR FUTURE CONNECTION TO CHEMICAL MIXING STATION (PROVIDED BY OTHERS). MV-3, BEP-1 AND HB-1 SHALL ALL BE LOCATED ON THE WALL ADJACENT TO THE MOP BASIN IN AN ACCESSIBLE LOCATION (5'-0" AFF MAX). COORDINATE EXACT LOCATION WITH FUTURE CHEMICAL MIXING STATION.



1 ENLARGED PLUMBING PLAN - M 2102, W 2104 - SAN/VENT
 3/8" = 1'-0"



2 ENLARGED PLUMBING PLAN - M 2102, W 2104 - DOMESTIC
 3/8" = 1'-0"

JOLIET JUNIOR COLLEGE
ROMEOVILLE CAMPUS EXPANSION
 1125 135th ST. ROMEOVILLE, IL 60446
 DKA PROJECT NO: 14-005

KEY PLAN:

SHEET STATUS: 9/21/15
ISSUED FOR CONSTRUCTION

NO.	DESCRIPTION:	DATE:

SHEET TITLE:
ENLARGED PLANS - PLUMBING

SHEET NUMBER:

P3.01

KJWW ENGINEERING CONSULTANTS
 1100 WARRENVILLE ROAD, SUITE 400W
 NAPERVILLE, IL 60563
 630.527.2320 FAX: 630.527.2321
 WWW.KJWW.COM

KJWW ENGINEERING CONSULTANTS
 1100 WARRENVILLE ROAD, SUITE 400W
 NAPERVILLE, IL 60563
 630.527.2320 FAX: 630.527.2321
 WWW.KJWW.COM

Project # 14-003.00
 © 2015 KJWW, P.C.

REFERENCE SCALE IN INCHES
 0 1 2 3



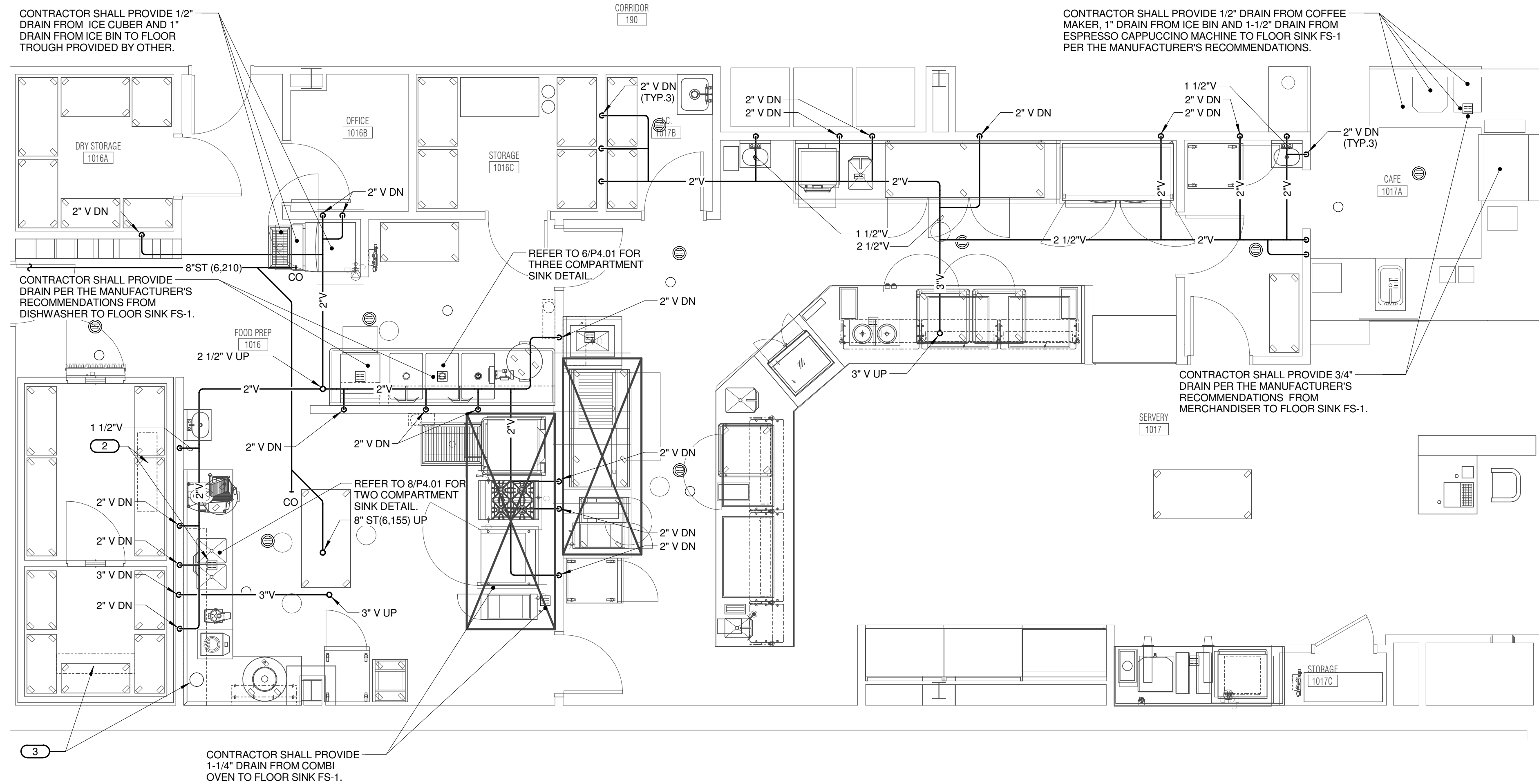
ARCHITECT OF RECORD
DEMIONA KEMPER ARCHITECTS
 125 N. HALSTED STREET, SUITE 301
 CHICAGO, IL 60661
 P: 312.496.0000

STRUCTURAL AND MEP/FP ENGINEERING
KJWW ENGINEERING CONSULTANTS
 1100 WARRENVILLE RD., SUITE 400W
 NAPERVILLE, IL 60563
 P: 630.527.2320

FOOD SERVICE CONSULTANT
CINI LITTLE INTERNATIONAL, INC.
 200 E. HOWARD AVE., SUITE 212
 DES PLAINES, IL 60018
 P: 847.298.0088

JOLIET JUNIOR COLLEGE
ROMEORVILLE CAMPUS EXPANSION
 1125 135th ST. ROMEORVILLE, IL 60446
 DKA PROJECT NO: 14-005

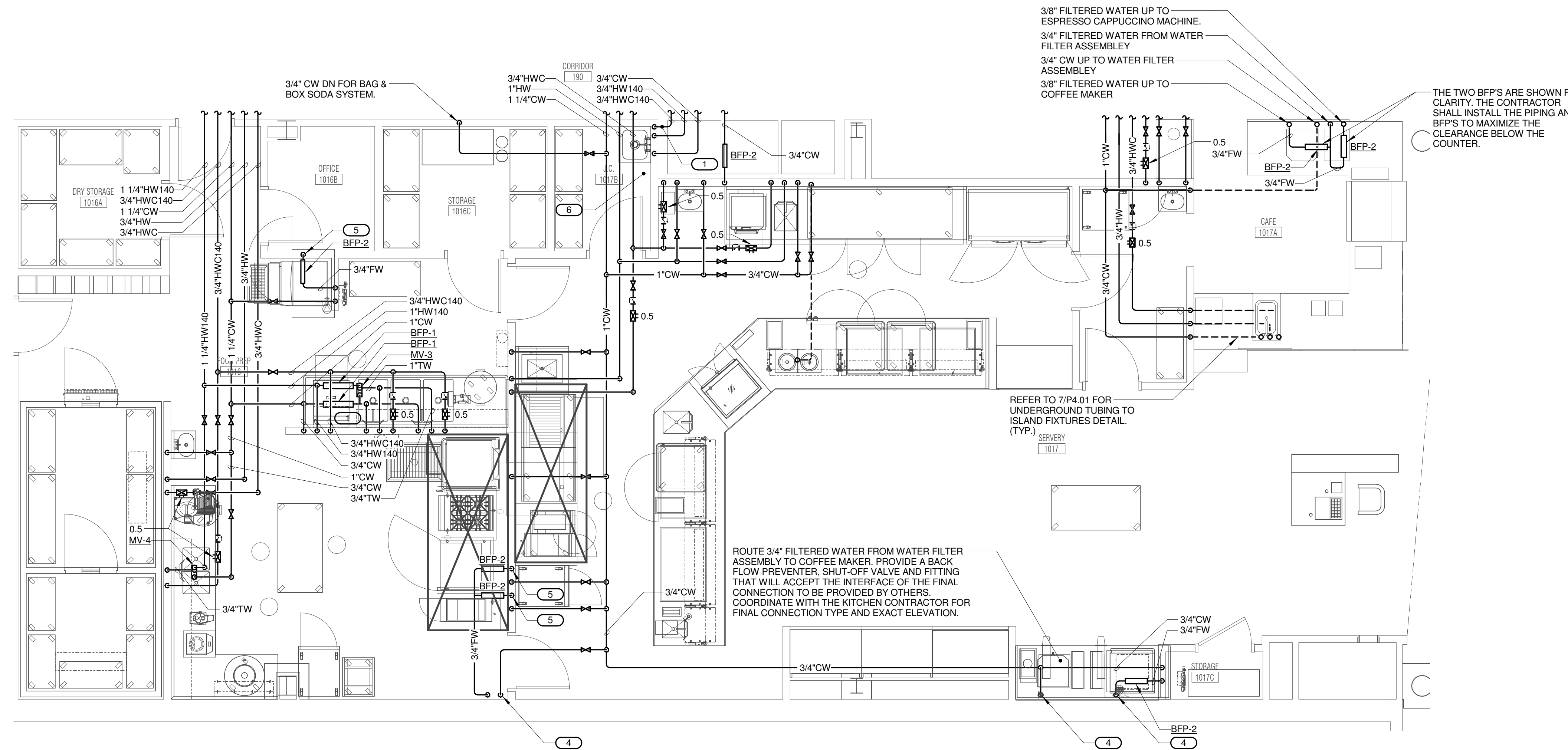
- KEYNOTES:**
- CONTRACTOR SHALL PROVIDE SHUT-OFF VALVE ON CW, HW AND HWC PIPING. PROVIDE CHECK VALVE AND BALANCING VALVE ON HWC PIPE. BALANCE BALANCING VALVE TO 0.5 GPM.
 - CONTRACTOR SHALL ROUTE 1/2" DRAIN LINE FROM EVAPORATED AND TERMINATE WITH AN INDIRECT CONNECTION AT THE FLOOR SINK LOCATED HERE. THE CONTRACTOR SHALL SEAL THE WALL PENETRATION PER THE MANUFACTURER'S RECOMMENDATIONS.
 - CONTRACTOR SHALL ROUTE 1/2" DRAIN LINE FROM EVAPORATED AND TERMINATE WITH AN INDIRECT CONNECTION AT THE FUNNEL FLOOR DRAIN LOCATED HERE. THE CONTRACTOR SHALL SEAL THE WALL PENETRATION PER THE MANUFACTURER'S RECOMMENDATIONS.
 - ROUTE EXPOSED 3/4" CW DOWN WALL AND CONNECT TO WATER FILTER PROVIDED BY OTHERS.
 - ROUTE 3/4" FILTERED WATER DOWN WITHIN WALL. PENETRATE WALL AND PROVIDE A SHUT-OFF VALVE AND FITTING THAT WILL ACCEPT THE INTERFACE OF THE FINAL CONNECTION TO BE PROVIDED BY OTHERS. COORDINATE WITH THE KITCHEN CONTRACTOR FOR FINAL CONNECTION TYPE AND EXACT ELEVATION.
 - EXTEND 1/2" CW & 3/4" HW/140 PIPING TO SERVE MV-3. CONNECT 1/2" HWC140 TO HW140 PIPING WITHIN 3 FT OF THE MIXING VALVE. PROVIDE MANUAL BALANCING VALVE SET TO 0.5 GPM ON HWC140 BRANCH. EXTEND TW PIPING FROM MIXING VALVE TO BEP-1. DRAIN PIPING FROM BEP SHALL BE ROUTED TO MOP BASIN AND TERMINATE 6" ABOVE RIM. ROUTE TW FROM BEP TO HBI FOR FUTURE CONNECTION TO CHEMICAL MIXING STATION (PROVIDED BY OTHERS). MV-3, BEP-1 AND HBI SHALL ALL BE LOCATED ON THE WALL ADJACENT TO THE MOP BASIN IN AN ACCESSIBLE LOCATION (5'-0" AFF MAX). COORDINATE EXACT LOCATION WITH FUTURE CHEMICAL MIXING STATION.



1

ENLARGED PLUMBING PLAN - FOOD PREP/SERVERY - SAN/VENT

1/4" = 1'-0"



2

ENLARGED PLUMBING PLAN - FOOD PREP/SERVERY - DOMESTIC

1/4" = 1'-0"

KJWW ENGINEERING CONSULTANTS
 1100 WARRENVILLE ROAD, SUITE 400W
 NAPERVILLE, ILLINOIS 60563
 630.527.2320 FAX: 630.527.2321
 WWW.KJWW.COM
 PROJECT # 14-005-00
 DESIGN FIRM REGISTRATION #14-005-0077

KJWW ENGINEERING RESERVES PROPRIETARY RIGHTS, INCLUDING COPYRIGHTS, TO THIS DRAWING AND THE DATA THEREON. THIS DRAWING AND/OR DATA ARE THE EXCLUSIVE PROPERTY OF KJWW ENGINEERING AND SHALL NOT BE USED OR REPRODUCED FOR ANY OTHER PROJECT WITHOUT THE EXPRESS WRITTEN APPROVAL AND PARTICIPATION OF KJWW ENGINEERING. © 2015 KJWW, P.C.

REFERENCE SCALE IN INCHES

KEY PLAN:

SHEET STATUS: 9/21/15
ISSUED FOR CONSTRUCTION

NO.	DESCRIPTION:	DATE:

SHEET TITLE:
ENLARGED PLANS - PLUMBING

SHEET NUMBER:

P3.02

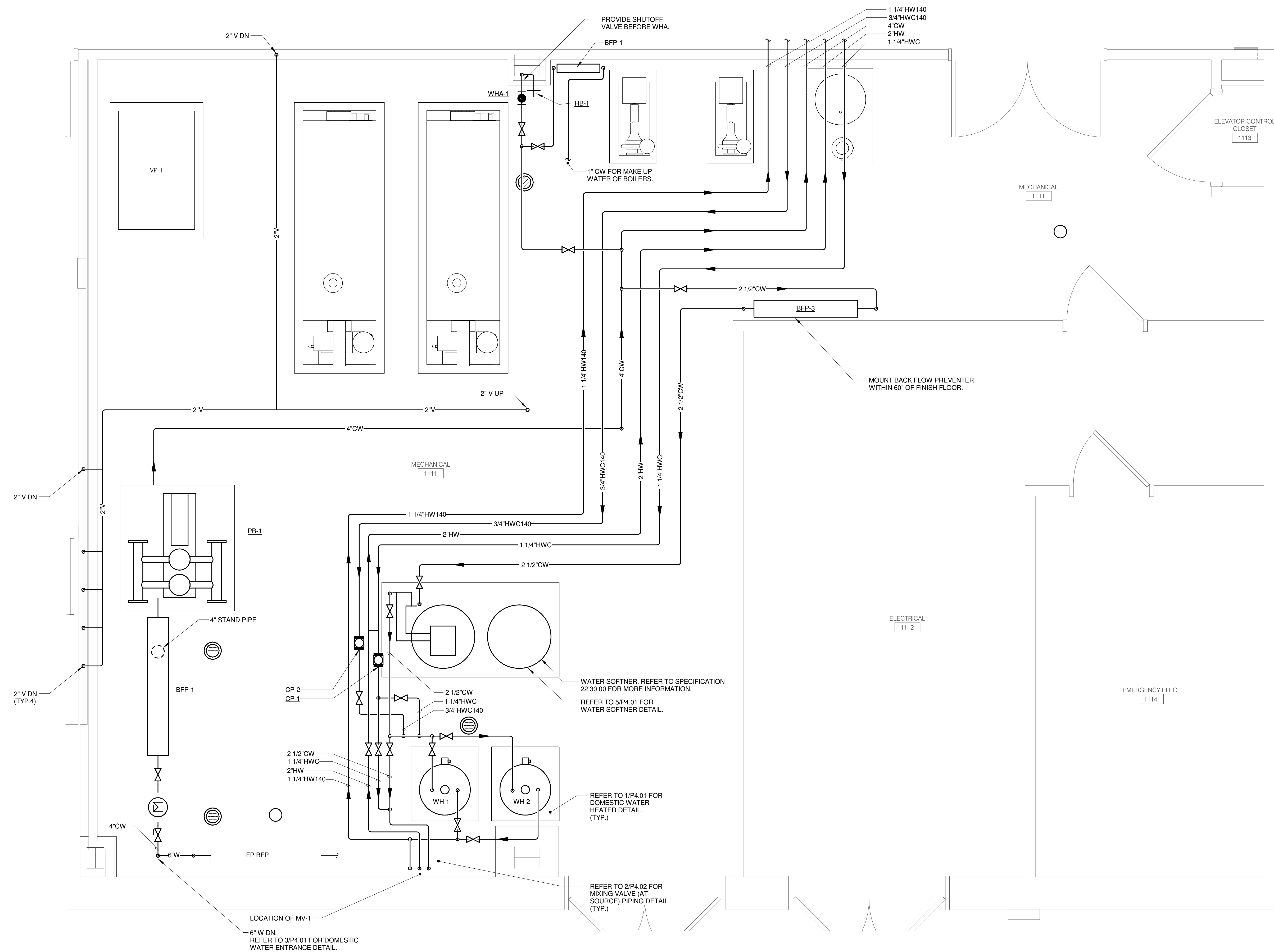


ARCHITECT OF RECORD
DEMONICA KEMPER ARCHITECTS
 125 N. HALSTED STREET, SUITE 301
 CHICAGO, IL 60661
 P: 312.496.0000

STRUCTURAL AND MEP/FP ENGINEERING
KJWW ENGINEERING CONSULTANTS
 1100 WARRENVILLE RD., SUITE 400W
 NAPERVILLE, IL 60563
 P: 630.527.2320

FOOD SERVICE CONSULTANT
CINI LITTLE INTERNATIONAL, INC.
 200 E. HOWARD AVE., SUITE 212
 DES PLAINES, IL 60018
 P: 847.298.0088

**JOLIET JUNIOR COLLEGE
 ROMEOVILLE CAMPUS EXPANSION**
 1125 135th ST. ROMEOVILLE, IL 60446
 DKA PROJECT NO: 14-005



1 ENLARGED PLUMBING PLAN - MECHANICAL ROOM
 1/2" = 1'-0"

KEY PLAN:

SHEET STATUS: 9/21/15
**ISSUED FOR
 CONSTRUCTION**

NO.	DESCRIPTION:	DATE:

SHEET TITLE:
**ENLARGED PLANS -
 PLUMBING**

SHEET NUMBER:

P3.03

KJWW ENGINEERING CONSULTANTS
 1100 WARRENVILLE ROAD, SUITE 400W
 NAPERVILLE, ILLINOIS 60563
 630.527.2320 FAX: 630.527.2321
 WWW.KJWW.COM
 PROJECT # 14-005-00
 DESIGN FIRM REGISTRATION #14-005-0073

KJWW ENGINEERING RESERVES PROPRIETARY RIGHTS, INCLUDING COPYRIGHTS, TO THIS DRAWING AND THE DATA SHOWN THEREON. SAID DRAWING AND/OR DATA ARE THE EXCLUSIVE PROPERTY OF KJWW ENGINEERING AND SHALL NOT BE USED OR REPRODUCED FOR ANY OTHER PROJECT WITHOUT THE EXPRESS WRITTEN APPROVAL AND PARTICIPATION OF KJWW ENGINEERING. © 2015 KJWW, P.C.

REFERENCE SCALE IN INCHES
 0 1 2 3



ARCHITECT OF RECORD
DEMONICA KEMPER ARCHITECTS
 125 N. HALSTED STREET, SUITE 301
 CHICAGO, IL 60661
 P: 312.496.0000

STRUCTURAL AND MEP/FP ENGINEERING
KJWW ENGINEERING CONSULTANTS
 1100 WARRENVILLE RD., SUITE 400W
 NAPERVILLE, IL 60563
 P: 630.527.2320

FOOD SERVICE CONSULTANT
CINI LITTLE INTERNATIONAL, INC.
 200 E. HOWARD AVE., SUITE 212
 DES PLAINES, IL 60018
 P: 847.298.0088

JOLIET JUNIOR COLLEGE
ROMEIOVILLE CAMPUS EXPANSION
 1125 135th ST. ROMEIOVILLE, IL 60446
 DKA PROJECT NO: 14-005

KEY PLAN:

SHEET STATUS: 9/21/15
ISSUED FOR CONSTRUCTION

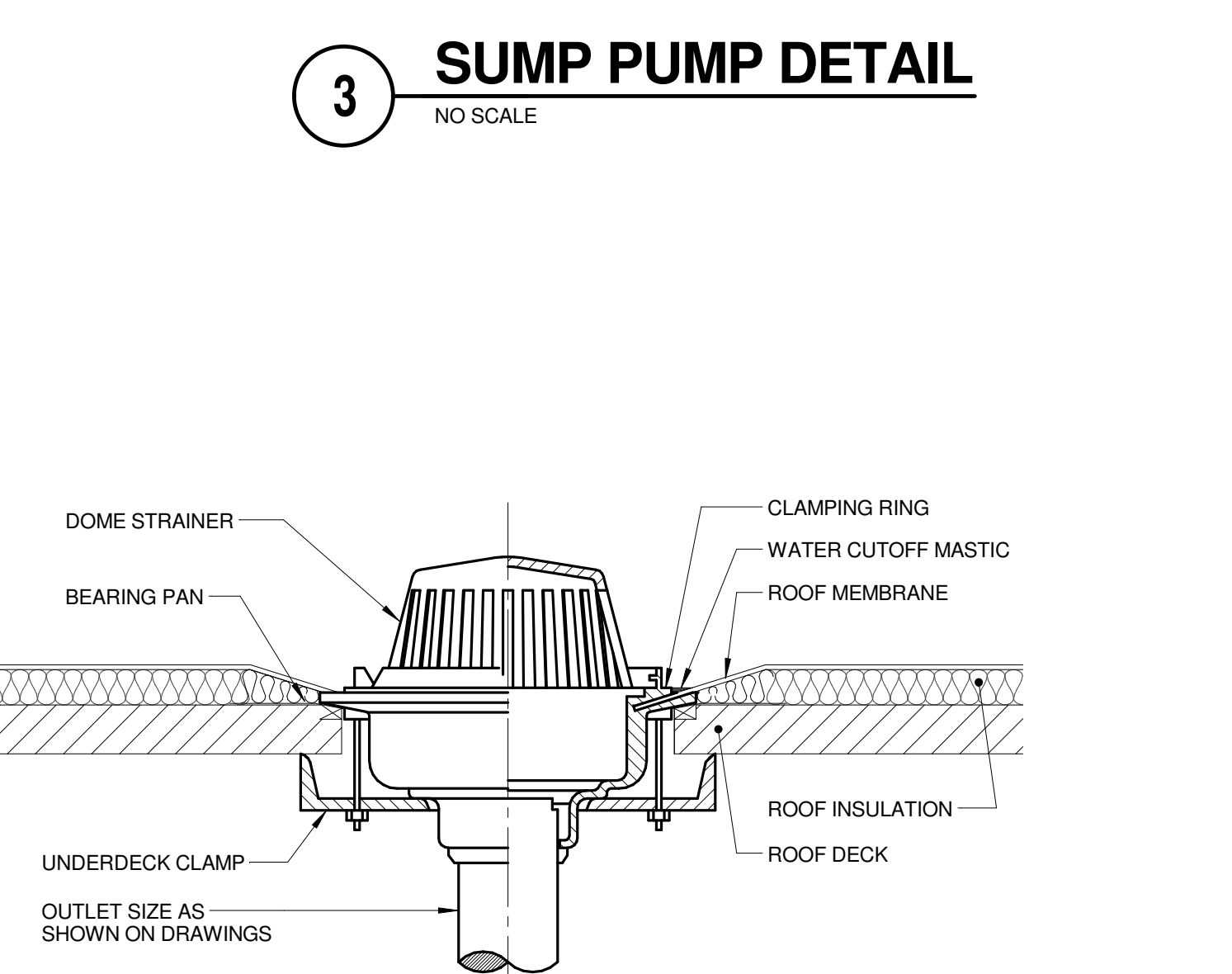
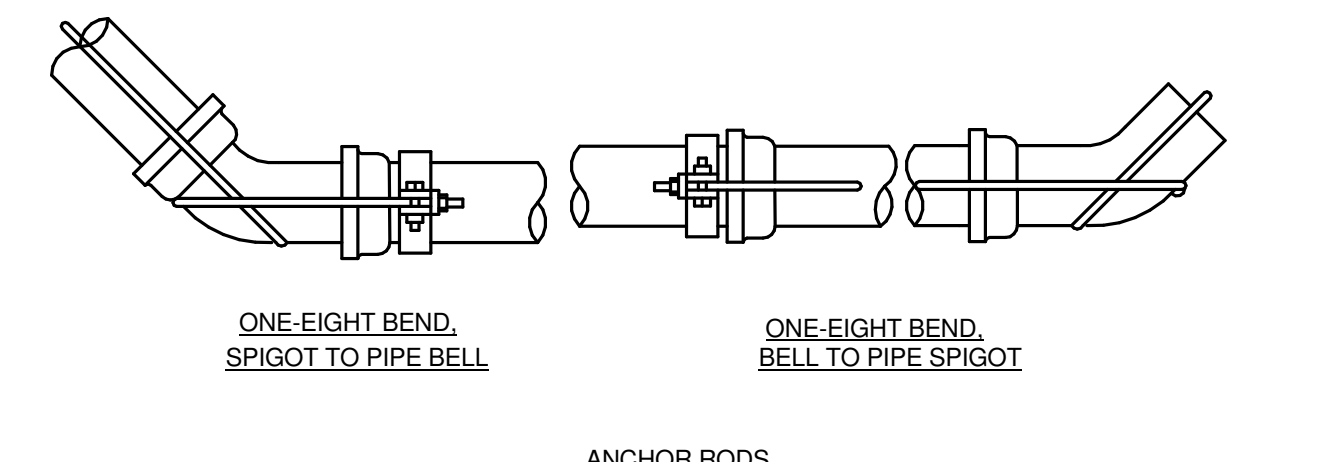
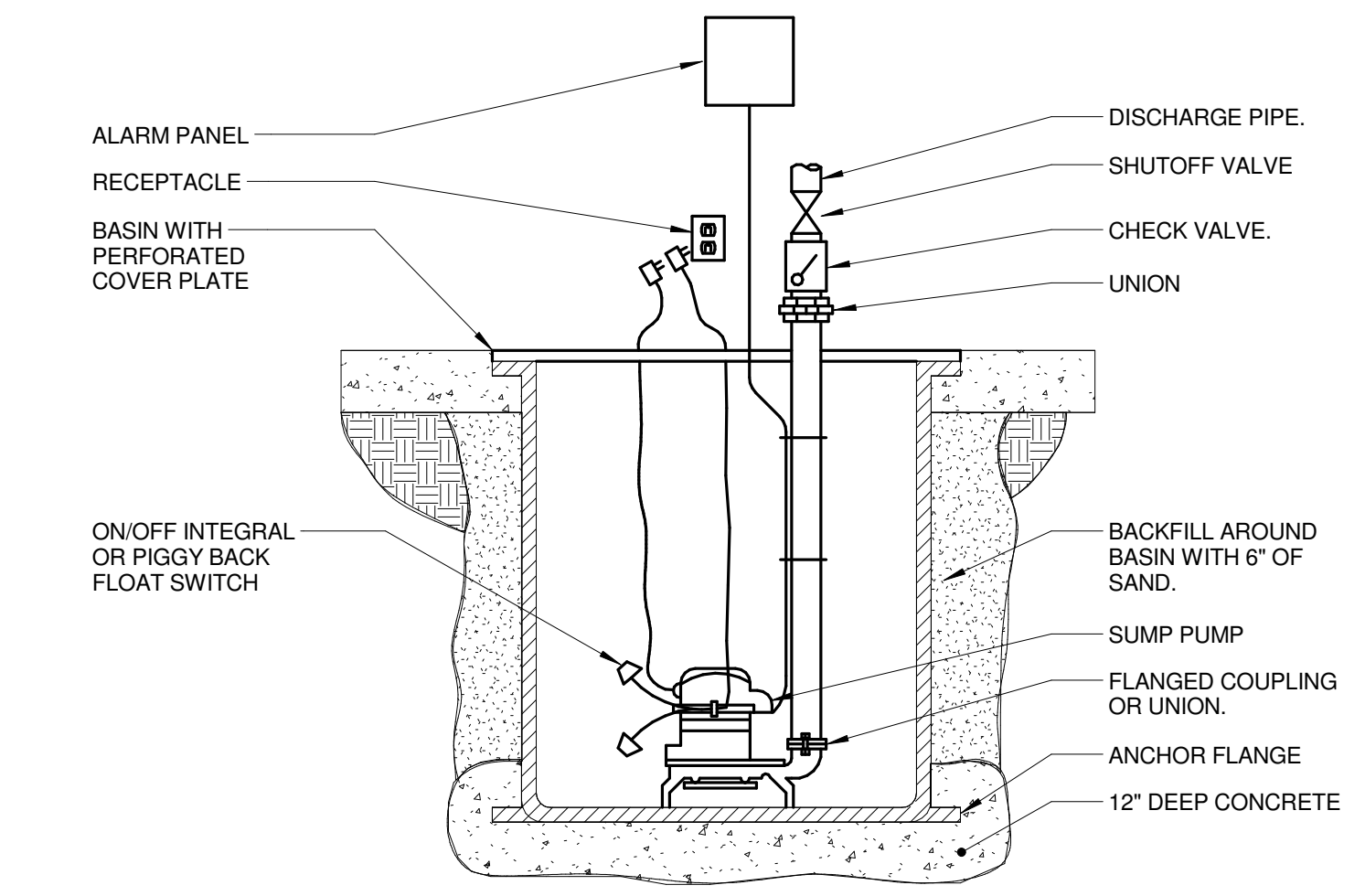
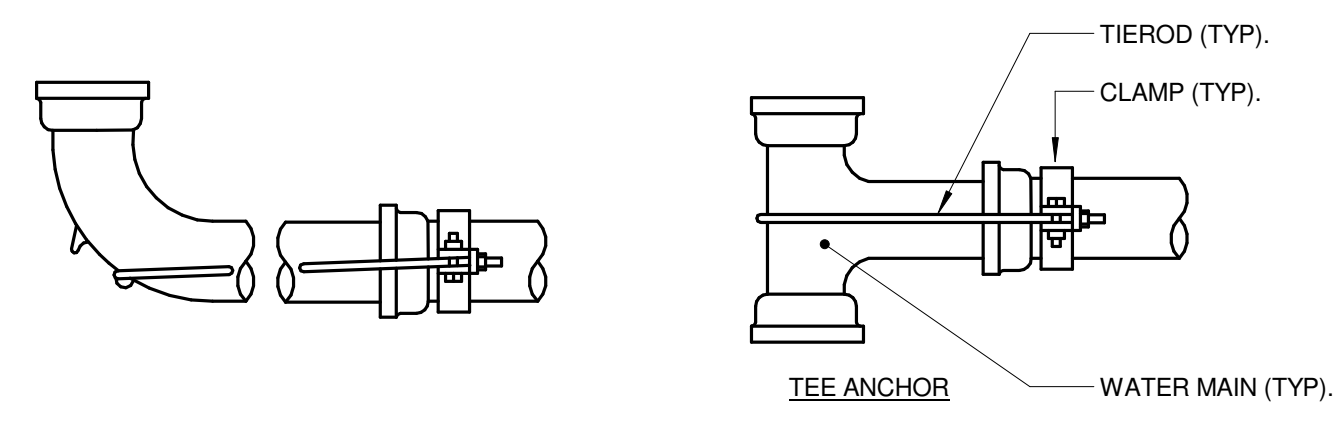
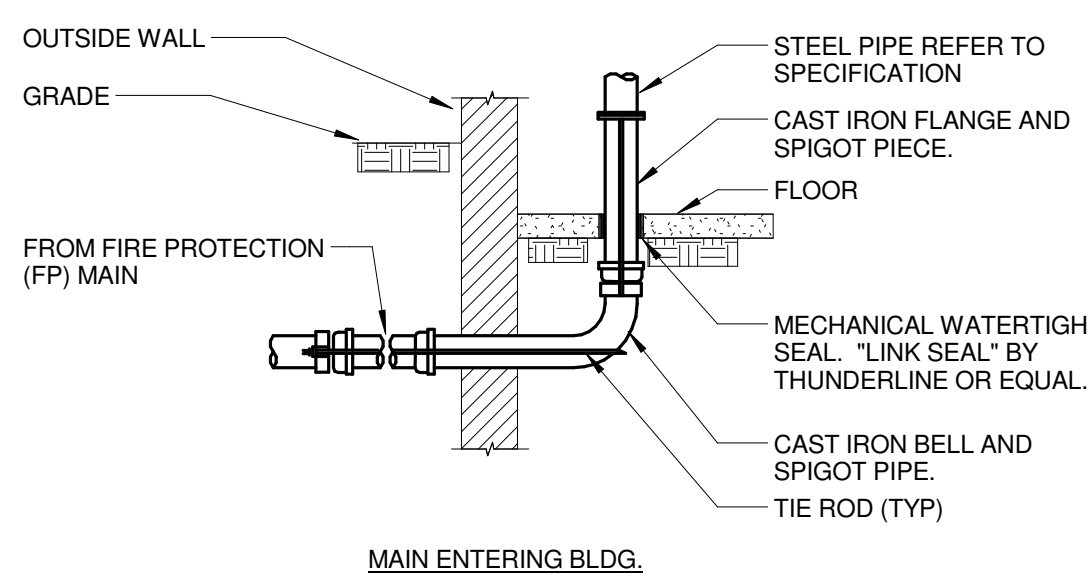
NO.	DESCRIPTION:	DATE:

SHEET TITLE:

PLUMBING DETAILS

SHEET NUMBER:

P4.00



ROD AND CLAMP ANCHORAGE

PIPING NOMINAL SIZE (IN.)	CLAMP SIZE (IN.)	BOLT SIZE (IN.)	WASHER (IN.)	NUMBER OF RODS AND ROD SIZE (IN.) FOR ROD AND CLAMP ANCHORAGE							
				MECHANICAL JOINT				PUSH ON JOINT			
				CAST IRON	STEEL	90° 1/4 BEND	45° 1/8 BEND	TEE, HYDRANT CAP, PLUG	90° 1/4 BEND	45° 1/8 BEND	TEE, HYDRANT CAP, PLUG
4	1 1/2	5/8	5/8x3	2	2	2	2	2	2	2	2
6	2	3/4	3/4x3	2	2	2	2	2	2	2	2

THRUST BLOCKS

PIPING NOMINAL SIZE (IN.)	MIN. SQ. FT. AREA OF BEARING FACE OF CONCRETE THRUST BLOCKS		
	1/4 BEND	1/8 BEND	TEES, PLUGS, CAPS, HYDRANTS
4	3	2	3
6	7	4	5

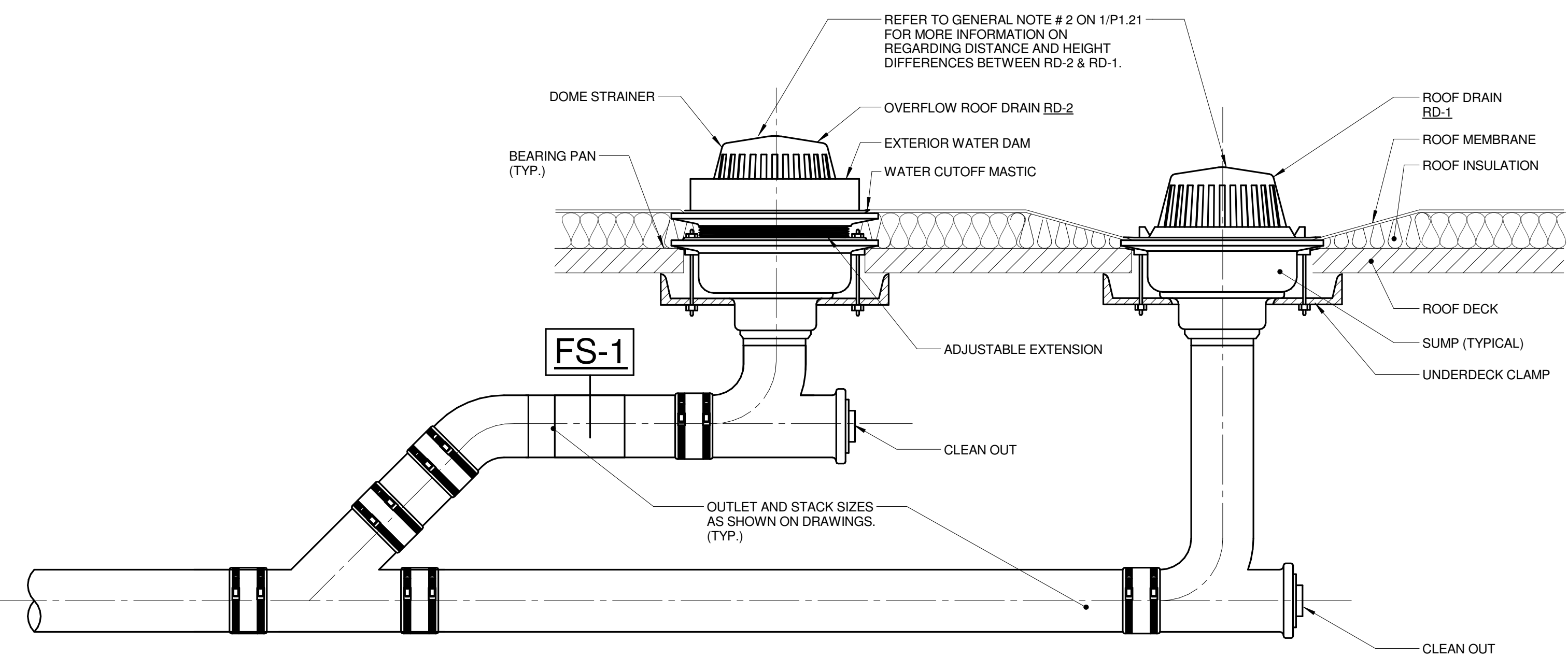
NOTES:
 1. AFTER INSTALLATION, PROTECT THE RODS, BOLTS, NUTS, WASHERS AND CLAMPS AGAINST CORROSION WITH A HEAVY COAT OF ASPHALT MATERIAL.
 2. THE LENGTH OF THE ROD REQUIRED WILL VARY WITH THE PIPE FITTING, AND MUST BE DETERMINED BY FIELD MEASUREMENT. IF THE DISTANCE BETWEEN THE JOINTS IS LESS THAN 12 FEET, EXTEND THE ANCHORAGE TO THE SECOND BELL.

NOTES:
 BASIS: 2,000 LB./SQ. FT. SOIL RESISTANCE.
 250 PSI WATER PRESSURE
 CORRECTION FACTORS FOR OTHER SOILS:
 SOFT CLAY.....0.4
 SAND.....0.2
 SAND&GRAVELL.....1.33
 SHALE.....0.4

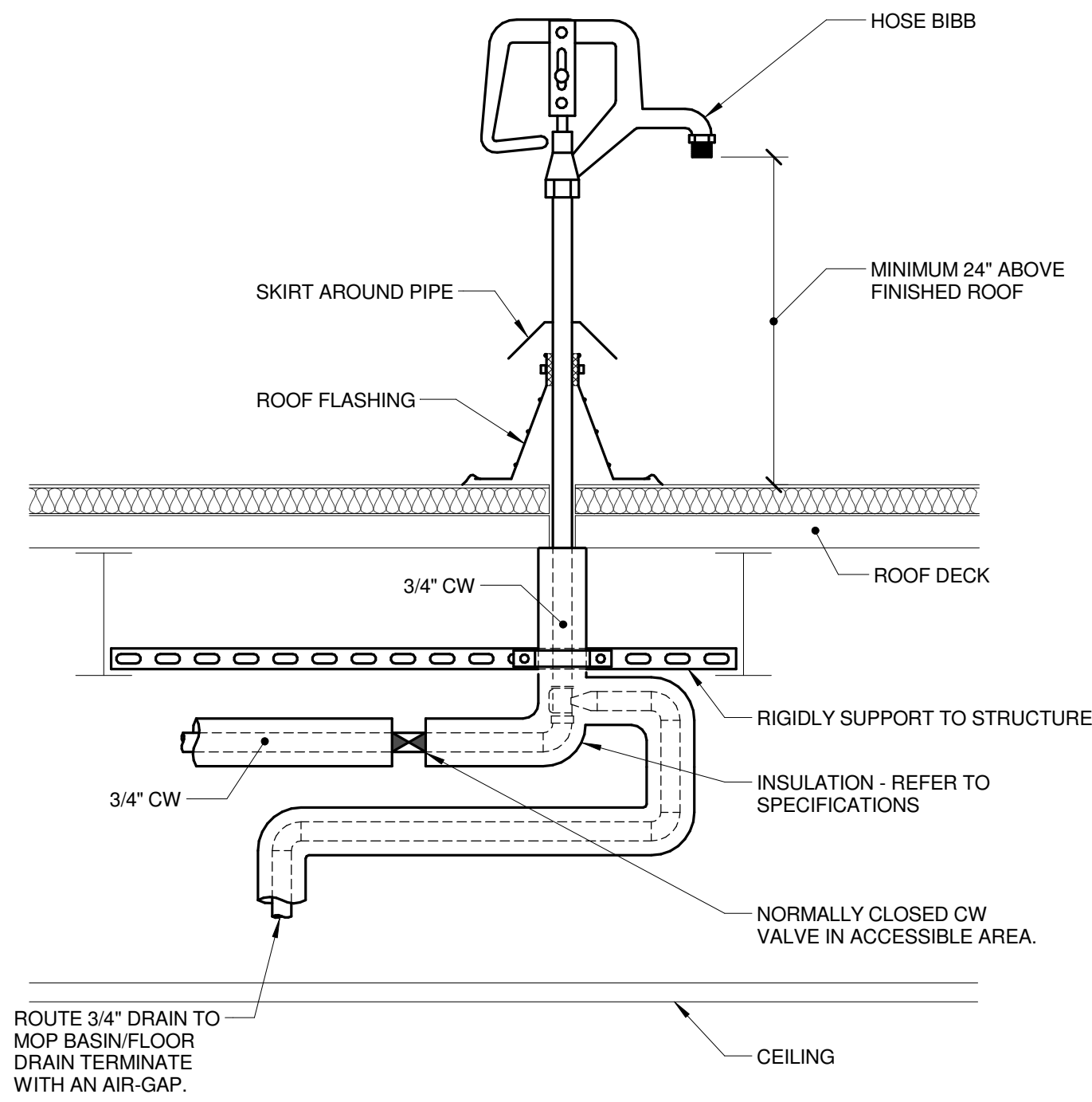
1 UNDERGROUND WATER MAIN ANCHORING DETAIL
 NO SCALE
NOTES:
 1. BOTH THRUST BLOCKING AND ANCHOR RODS ARE REQUIRED.
 2. REFER TO THE GOVERNING CODE AND NFPA 24 FOR ADDITIONAL REQUIREMENTS.

4 PIPE UNDER FOOTING DETAIL
 NO SCALE
NOTES:
 1. STEP FOOTING DOWN AS REQUIRED TO MAINTAIN 8\"/>

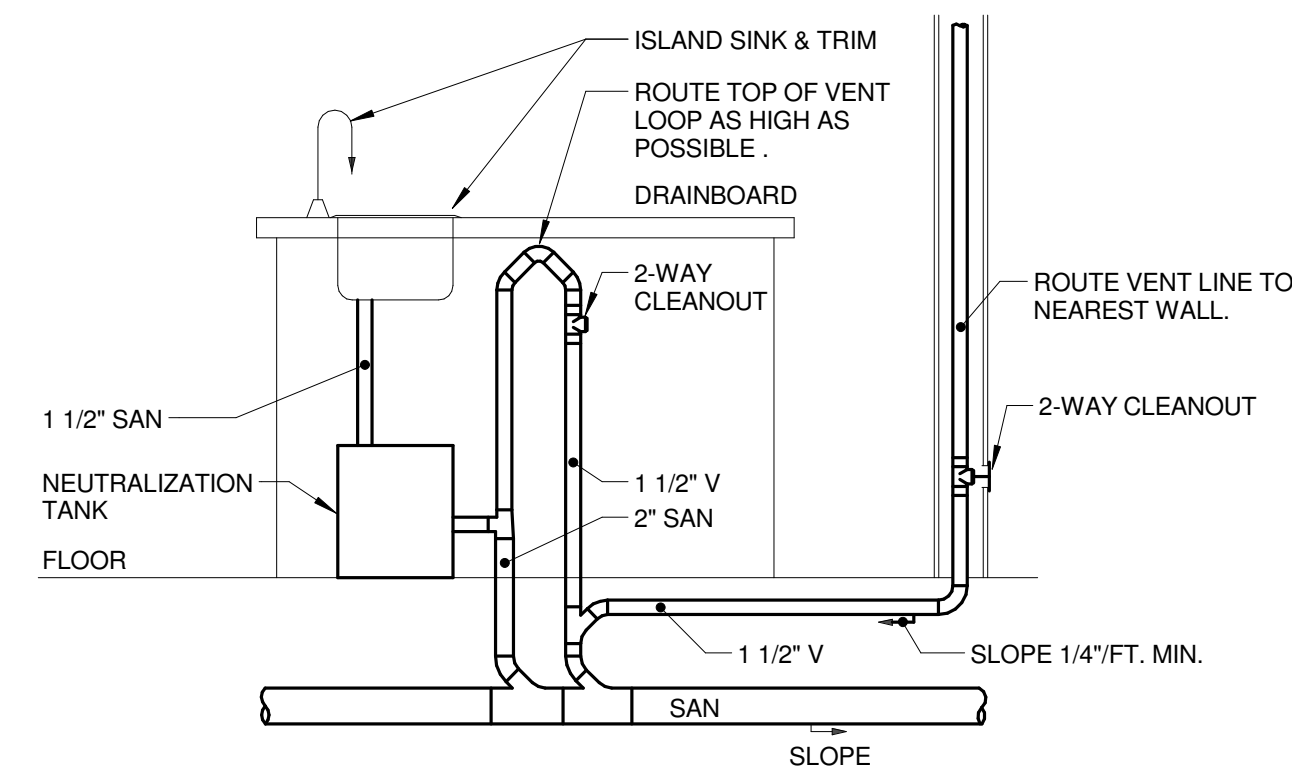
5 ROOF DRAIN DETAIL
 NO SCALE



6 ROOF DRAIN DETAIL (WITH SECONDARY)
 NO SCALE



7 ROOF HOSE BIBB DETAIL
 NO SCALE



8 ISLAND SINK VENT DETAIL
 NO SCALE

KJWW ENGINEERING CONSULTANTS
 1100 WARRENVILLE ROAD, SUITE 400W
 NAPERVILLE, IL 60563
 630.527.2320 FAX: 630.527.2321
 WWW.KJWW.COM
 PROJECT # 14-005-00
 Block Design Firm Registration #18-08073

KJWW ENGINEERING RESERVES PROPRIETARY RIGHTS, INCLUDING COPYRIGHTS, TO THIS DRAWING AND THE DATA SHOWN THEREON. SAID DRAWING AND/OR DATA ARE THE EXCLUSIVE PROPERTY OF KJWW ENGINEERING AND SHALL NOT BE USED OR REPRODUCED FOR ANY OTHER PROJECT WITHOUT THE EXPRESS WRITTEN APPROVAL AND PARTICIPATION OF KJWW ENGINEERING. © 2015 KJWW, P.C.

REFERENCE SCALE IN INCHES



ARCHITECT OF RECORD
DEMONICA KEMPER ARCHITECTS
 125 N. HALSTED STREET, SUITE 301
 CHICAGO, IL 60661
 P: 312.496.0000

STRUCTURAL AND MEP/FP ENGINEERING
KJWW ENGINEERING CONSULTANTS
 1100 WARRENVILLE RD., SUITE 400W
 NAPERVILLE, IL 60563
 P: 630.527.2320

FOOD SERVICE CONSULTANT
CINI LITTLE INTERNATIONAL, INC.
 200 E. HOWARD AVE., SUITE 212
 DES PLAINES, IL 60018
 P: 847.298.0088

**JOLIET JUNIOR COLLEGE
 ROMEOVILLE CAMPUS EXPANSION**
 1125 135th ST. ROMEOVILLE, IL 60446
 DKA PROJECT NO: 14-005

KEY PLAN:

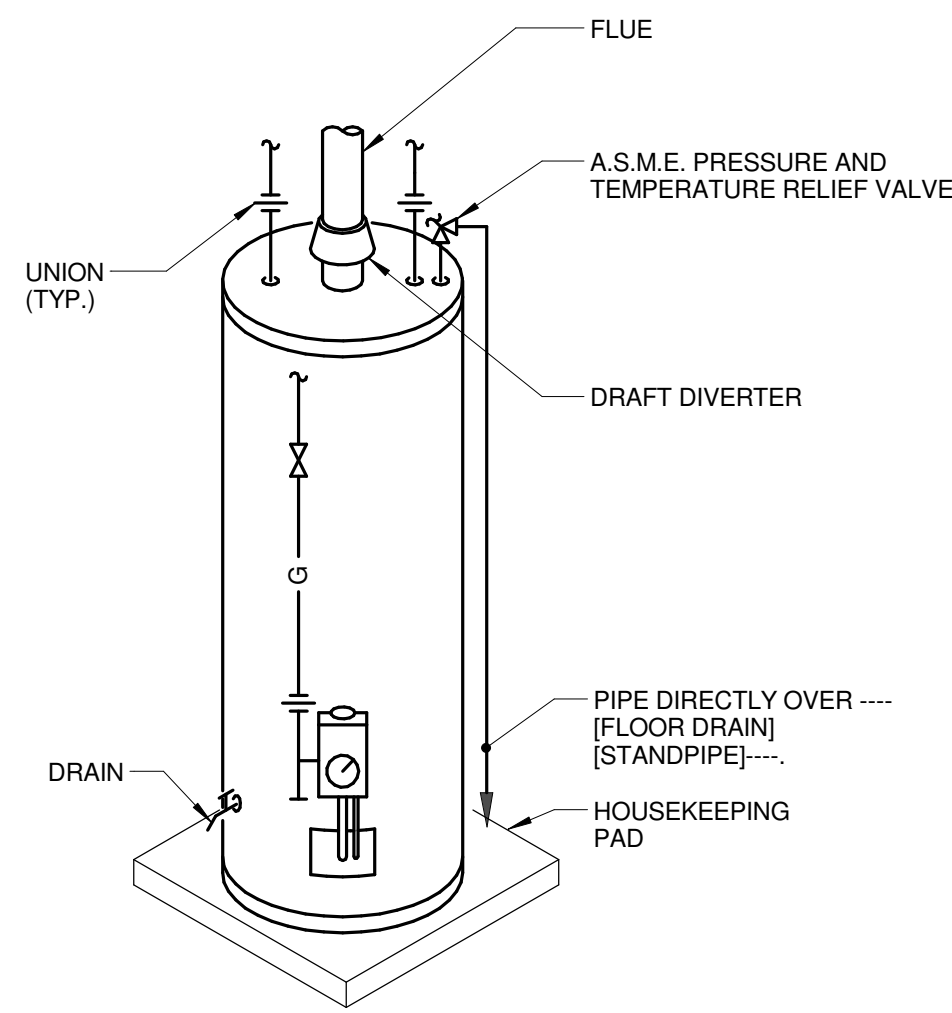
SHEET STATUS: 9/21/15
**ISSUED FOR
 CONSTRUCTION**

NO.	DESCRIPTION:	DATE:

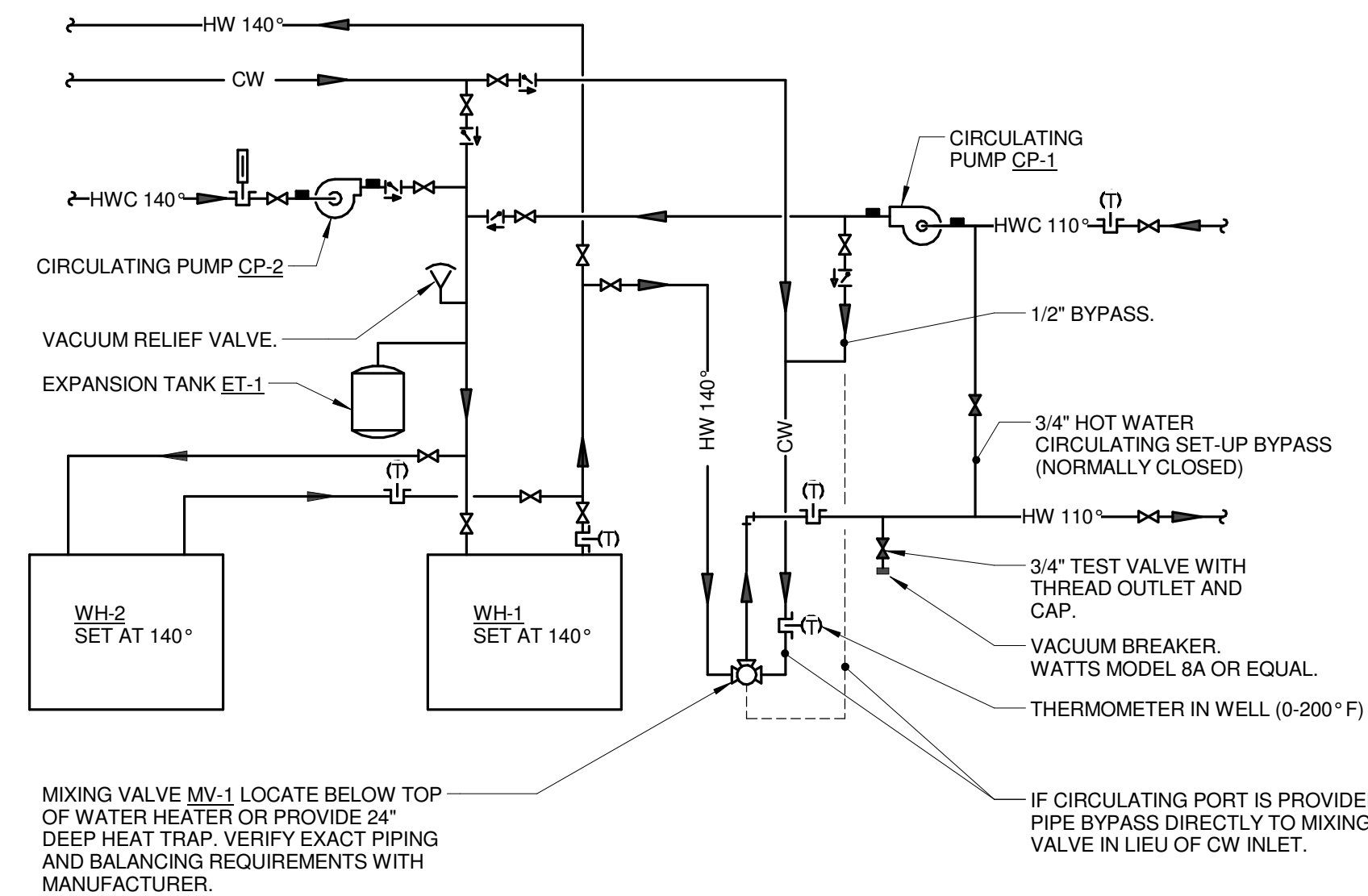
SHEET TITLE:
PLUMBING DETAILS

SHEET NUMBER:

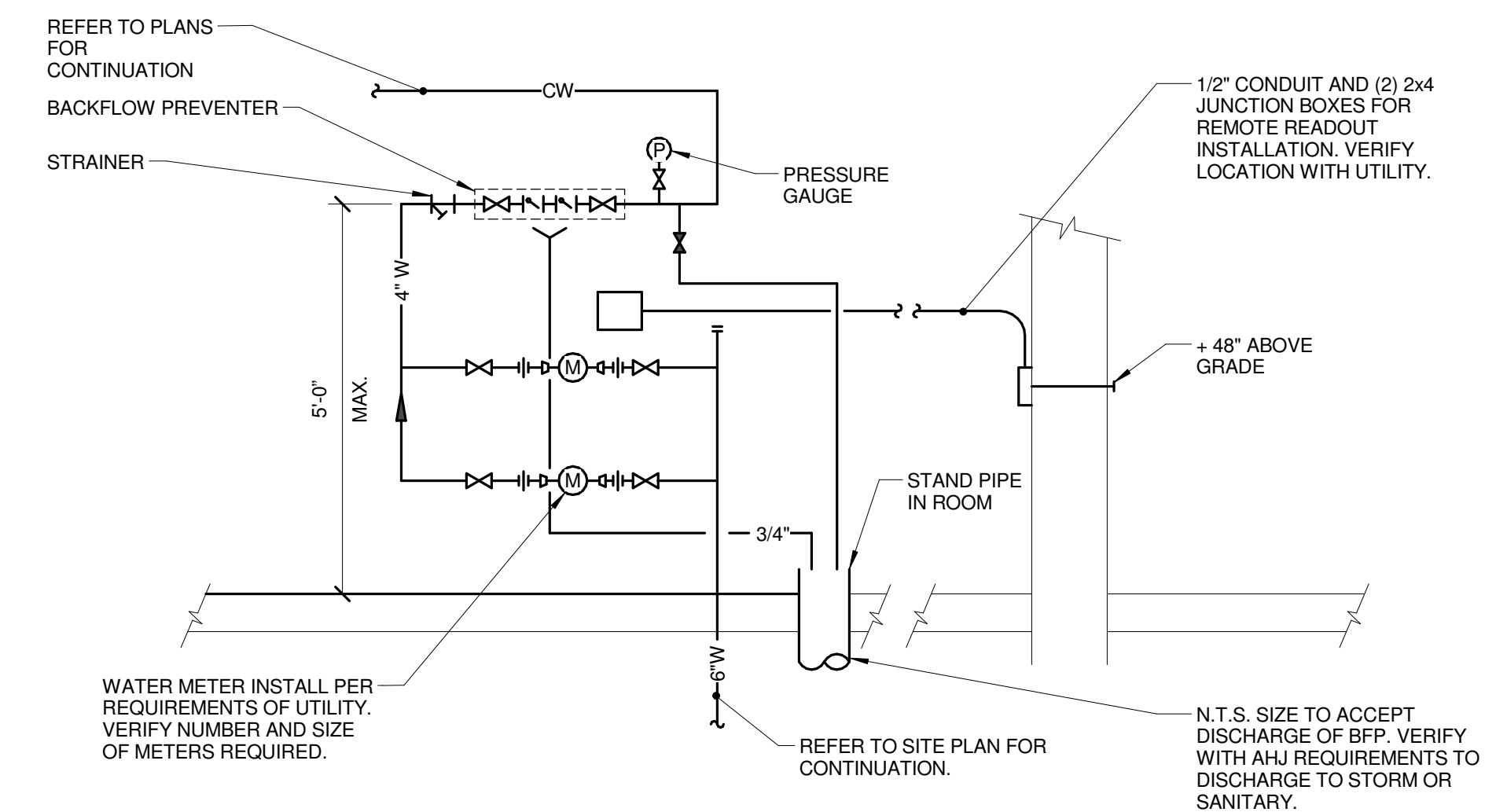
P4.01



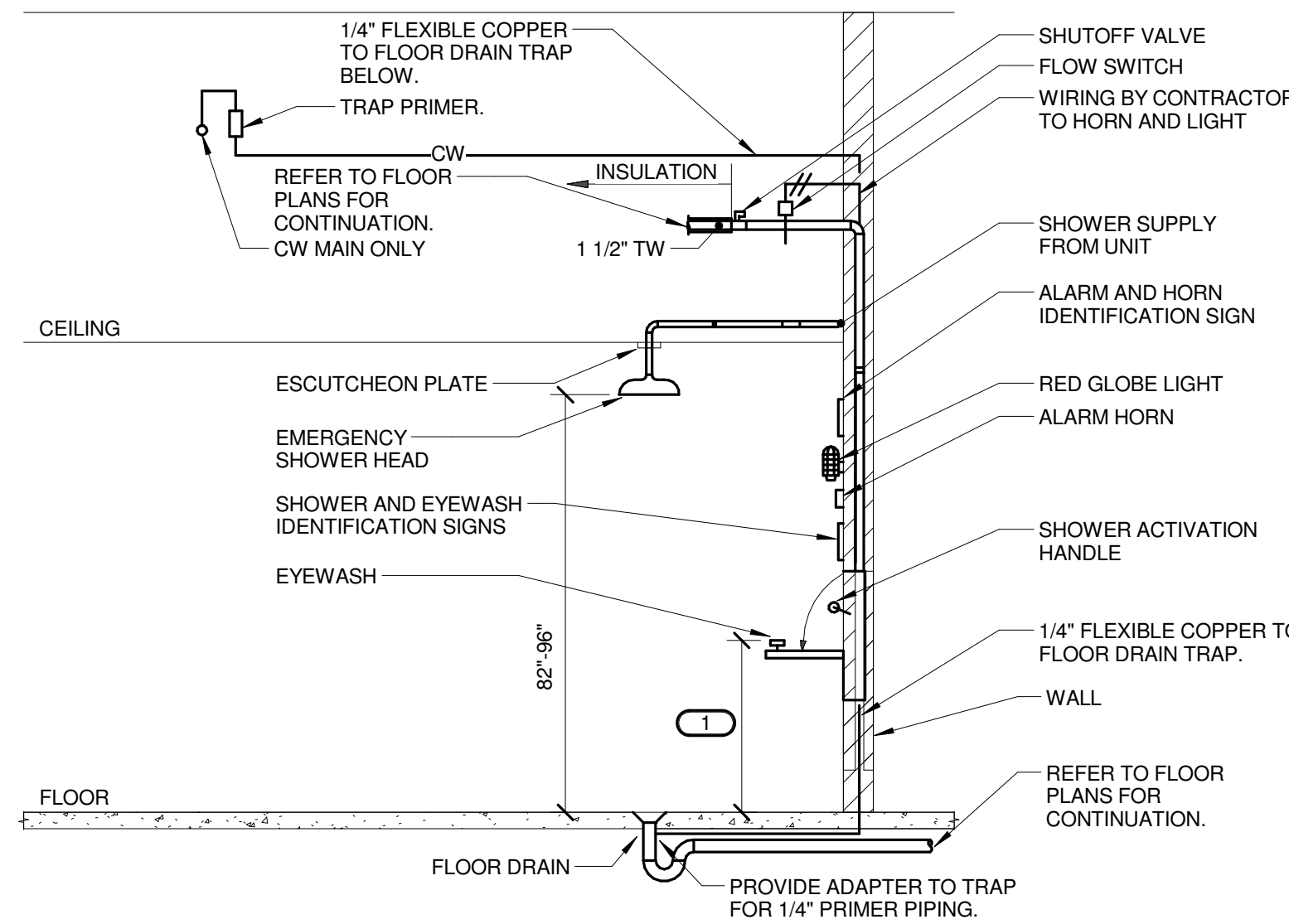
1 WATER HEATER (GAS) DETAIL
 NO SCALE



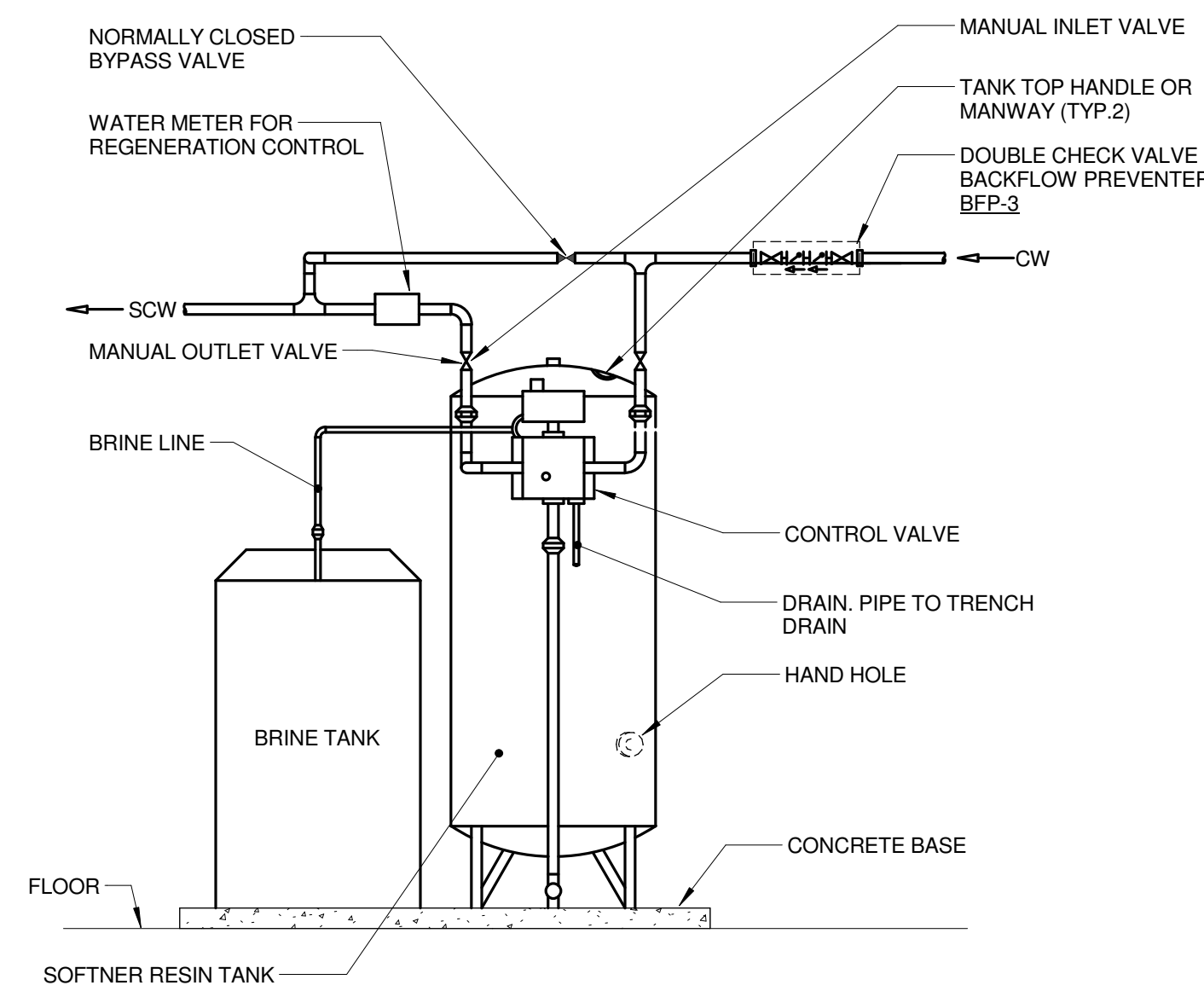
2 MIXING VALVE(AT SOURCE) PIPING DETAIL
 NO SCALE



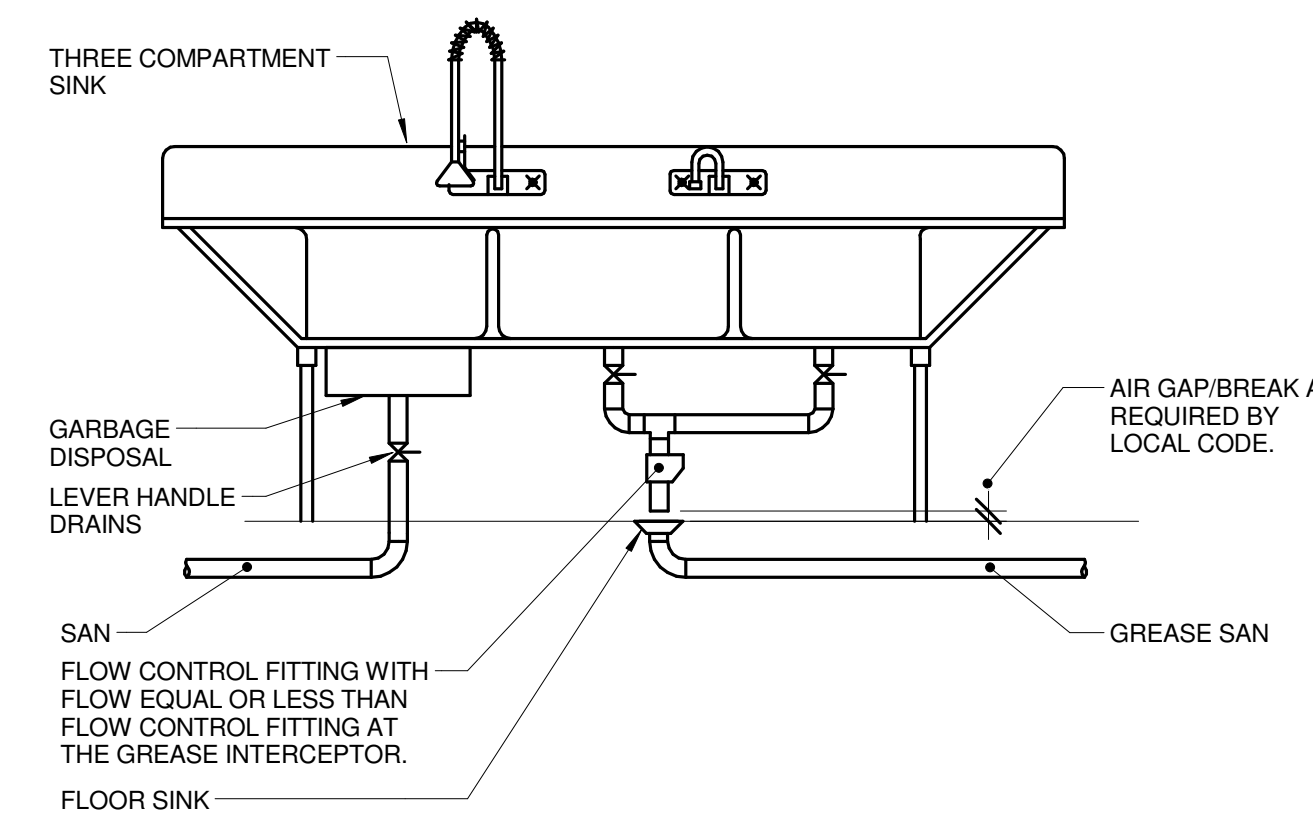
3 DOMESTIC WATER ENTRANCE
 NO SCALE



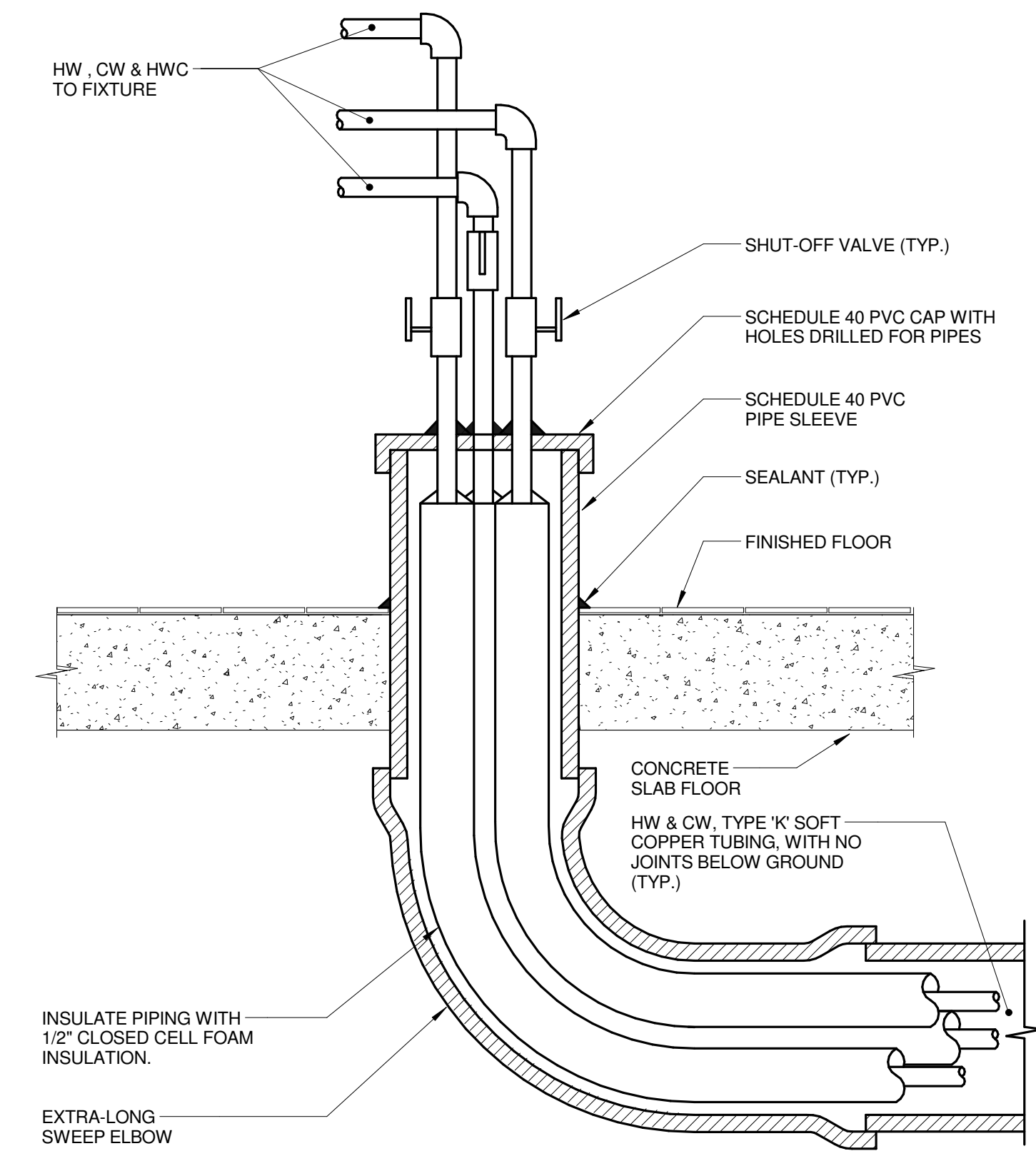
4 EMERGENCY SHOWER & EYEWASH DETAIL
 NO SCALE
 NOTES:
 1. MOUNT SHOWER HEAD, SHOWER ACTIVATION HANDLE, AND EYE/FACEWASH OUTLET HEADS IN COMPLIANCE WITH LATEST A.D.A AND ANSI 117.1 STANDARDS.



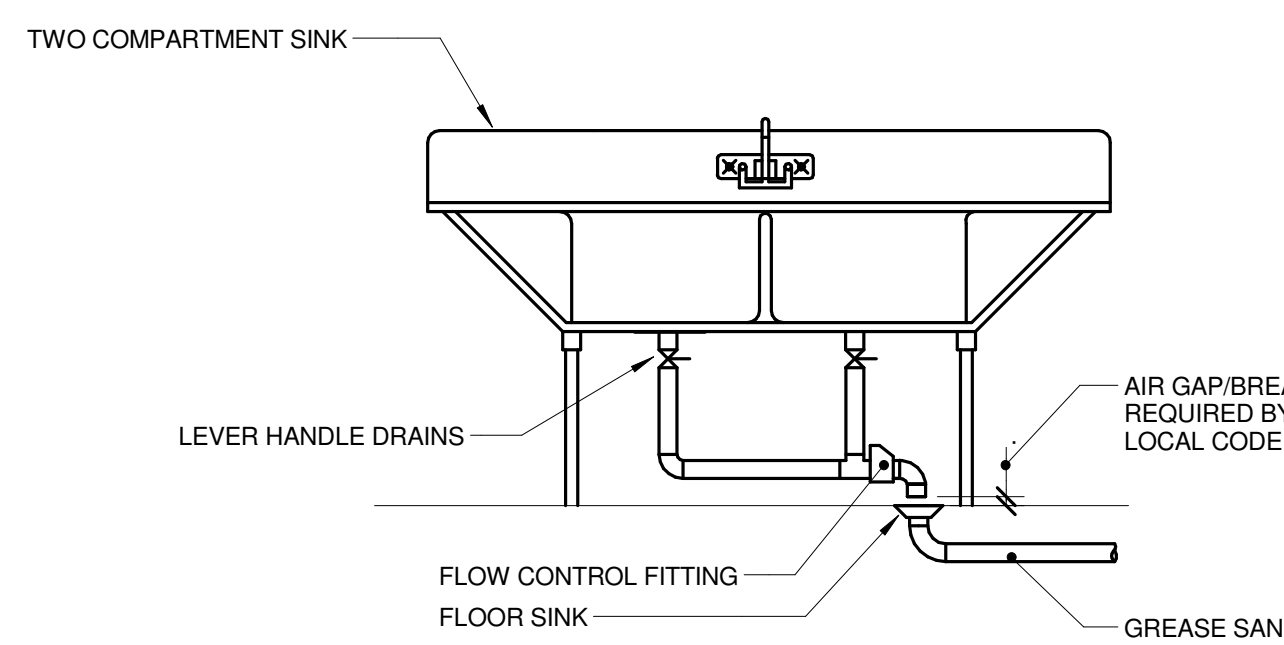
5 WATER SOFTENER DETAIL
 NO SCALE



6 THREE COMPARTMENT SINK DETAIL
 NO SCALE



7 UNDERGROUND TUBING TO ISLAND FIXTURES
 NO SCALE



8 TWO COMPARTMENT SINK DETAIL
 NO SCALE

KJWW ENGINEERING CONSULTANTS
 1100 WARRENVILLE ROAD, SUITE 400W
 NAPERVILLE, ILLINOIS 60563
 P: 630.527.2320 FAX: 630.527.2321
 WWW.KJWW.COM

W W ENGINEERING CONSULTANTS
 1100 WARRENVILLE ROAD, SUITE 400W
 NAPERVILLE, ILLINOIS 60563
 P: 630.527.2320 FAX: 630.527.2321
 WWW.KJWW.COM

Block Design Firm Registration #18-08073
 PROJECT # 14-003.00
 © 2015 KJWW, P.C.
 KJWW ENGINEERING RESERVES PROPRIETARY RIGHTS, INCLUDING COPYRIGHTS, TO THIS DRAWING AND THE DATA SHOWN THEREON. SAID DRAWING AND/OR DATA ARE THE EXCLUSIVE PROPERTY OF KJWW ENGINEERING AND SHALL NOT BE USED OR REPRODUCED FOR ANY OTHER PROJECT WITHOUT THE EXPRESS WRITTEN APPROVAL AND PARTICIPATION OF KJWW ENGINEERING.

REFERENCE SCALE IN INCHES
 0 1 2 3

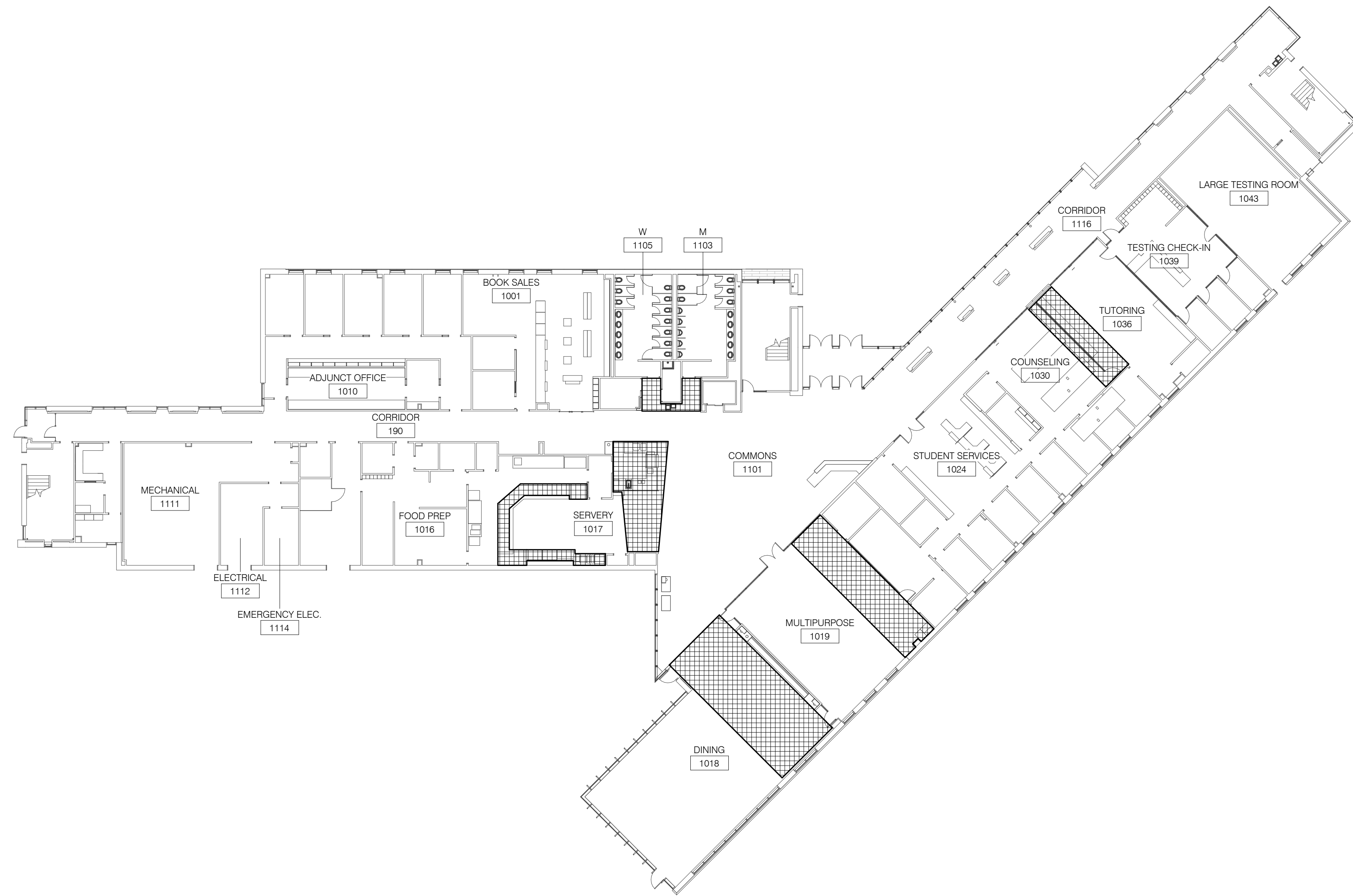


ARCHITECT OF RECORD
DEMONICA KEMPER ARCHITECTS
 125 N. HALSTED STREET, SUITE 301
 CHICAGO, IL 60661
 P: 312.496.0000

STRUCTURAL AND MEP/FP ENGINEERING
KJWW ENGINEERING CONSULTANTS
 1100 WARRENVILLE RD., SUITE 400W
 NAPERVILLE, IL 60563
 P: 630.527.2320

FOOD SERVICE CONSULTANT
CINI LITTLE INTERNATIONAL, INC.
 200 E. HOWARD AVE., SUITE 212
 DES PLAINES, IL 60018
 P: 847.298.0088

JOLIET JUNIOR COLLEGE
ROMEIOVILLE CAMPUS EXPANSION
 1125 135th ST. ROMEIOVILLE, IL 60446
 DKA PROJECT NO: 14-005



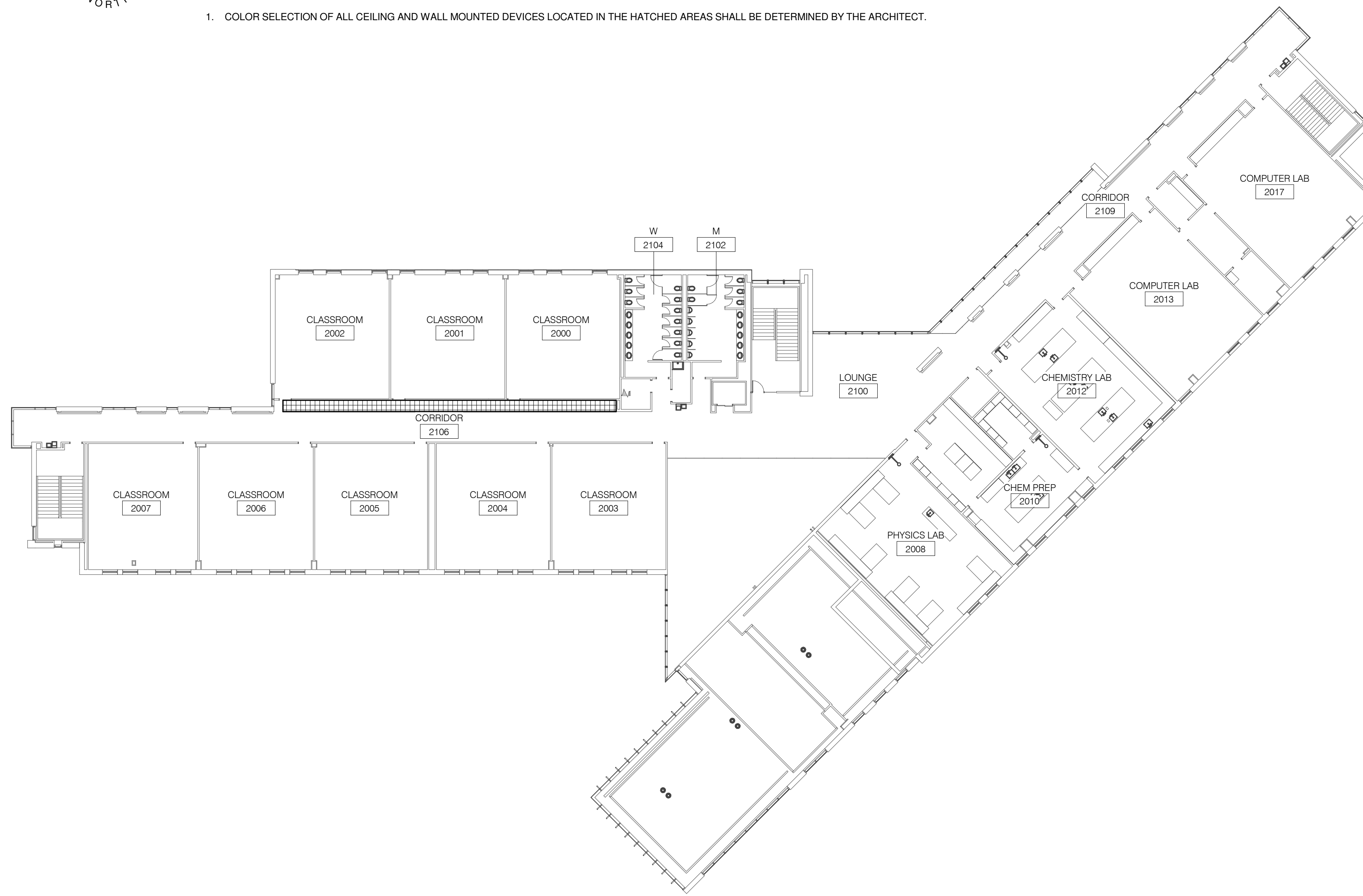
1

LEVEL 1 PLAN - AREAS REQUIRING CUSTOM COLOR DEVICES

1" = 20'-0"

NOTES:

- COLOR SELECTION OF ALL CEILING AND WALL MOUNTED DEVICES LOCATED IN THE HATCHED AREAS SHALL BE DETERMINED BY THE ARCHITECT.



2

LEVEL 2 PLAN - AREAS REQUIRING CUSTOM COLOR DEVICES

1" = 20'-0"

NOTES:

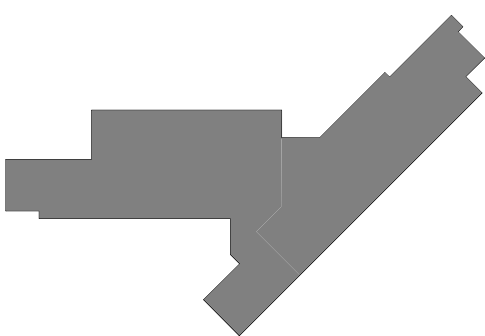
- COLOR SELECTION OF ALL CEILING AND WALL MOUNTED DEVICES LOCATED IN THE HATCHED AREAS SHALL BE DETERMINED BY THE ARCHITECT.

KJWW ENGINEERING CONSULTANTS
 1100 WARRENVILLE ROAD, SUITE 400W
 NAPERVILLE, IL 60563
 630.527.2320 FAX: 630.527.2321
 WWW.KJWW.COM
 PROJECT # 14-005-00
 DESIGN FIRM REGISTRATION #18-00073

KJWW ENGINEERING RESERVES PROPRIETARY RIGHTS, INCLUDING COPYRIGHTS, TO THIS DRAWING AND THE DATA SHOWN THEREON. SAID DRAWING AND/OR DATA ARE THE EXCLUSIVE PROPERTY OF KJWW ENGINEERING AND SHALL NOT BE USED OR REPRODUCED FOR ANY OTHER PROJECT WITHOUT THE EXPRESS WRITTEN APPROVAL AND PARTICIPATION OF KJWW ENGINEERING. © 2015 KJWW, P.C.

REFERENCE SCALE IN INCHES
 0 1 2 3

KEY PLAN:



SHEET STATUS: 9/21/15

ISSUED FOR CONSTRUCTION

NO: DESCRIPTION: DATE:

NO:	DESCRIPTION:	DATE:

SHEET TITLE:

PLUMBING DETAILS

SHEET NUMBER:

P4.02



ARCHITECT OF RECORD
DEMONICA KEMPER ARCHITECTS
 125 N. HALSTED STREET, SUITE 301
 CHICAGO, IL 60661
 P: 312.496.0000

STRUCTURAL AND MEP/FP ENGINEERING
KJWW ENGINEERING CONSULTANTS
 1100 WARRENVILLE RD., SUITE 400W
 NAPERVILLE, IL 60563
 P: 630.527.2320

FOOD SERVICE CONSULTANT
CINI LITTLE INTERNATIONAL, INC.
 200 E. HOWARD AVE., SUITE 212
 DES PLAINES, IL 60018
 P: 815.238.0088

JOLIET JUNIOR COLLEGE
ROMEIOVILLE CAMPUS EXPANSION
 1125 135th ST. ROMEIOVILLE, IL 60446
 DKA PROJECT NO: 14-005

CONTACT PERSONS:

DESCRIPTION:	PERSON:
PROJECT MANAGER	BRANDON FORTIER
MECHANICAL ENGINEER	BLAIR HAWN

FIRE HYDRANT FLOW TEST DATA

TEST DATE:	JUNE 11, 2015 (2:35 PM)
PORT SIZE:	4.5"
STATIC PRESSURE:	55 PSI
RESIDUAL PRESSURE:	53 PSI
FLOW PRESSURE:	32 PSI
TOTAL FLOW:	2563 GPM

GENERAL FIRE PROTECTION NOTES:

- DRAWINGS SHOWING LOCATIONS OF EQUIPMENT, PIPING, ETC. ARE DIAGRAMMATIC AND MAY NOT ALWAYS REFLECT EXACT INSTALLATION CONDITIONS. DRAWINGS SHOW THE GENERAL ARRANGEMENT OF PIPING, EQUIPMENT, ETC. AND MAY NOT INCLUDE ALL OFFSETS AND FITTINGS REQUIRED FOR COMPLETE INSTALLATION. THE DRAWINGS SHALL BE FOLLOWED AS CLOSELY AS ACTUAL BUILDING CONSTRUCTION AND THE WORK OF OTHERS WILL PERMIT. DO NOT SCALE DRAWINGS. VERIFY ALL DIMENSIONS AND CLEARANCES FROM ARCHITECTURAL, STRUCTURAL, SUBMITTALS, AND OTHER APPROPRIATE DRAWINGS OR PHYSICALLY AT SITE. REVIEW ALL DRAWINGS, INCLUDING THOSE OF OTHER TRADES.
- COORDINATE ALL WORK WITH ALL OTHER TRADES PRIOR TO INSTALLATION TO PROVIDE CLEARANCES REQUIRED FOR OPERATION, MAINTENANCE, CODE COMPLIANCE, AND TO VERIFY NON-INTERFERENCE WITH OTHER WORK. DO NOT FABRICATE PRIOR TO VERIFICATION OF NECESSARY CLEARANCES FOR ALL TRADES. BRING ANY INTERFERENCES OR CONFLICTS TO THE ATTENTION OF THE ARCHITECT/ENGINEER BEFORE PROCEEDING WITH FABRICATION OR EQUIPMENT ORDERS.
- REVIEW SPACE REQUIREMENTS OF EQUIPMENT SPECIFIED OR SUBSTITUTED AND MAKE REASONABLE ACCOMMODATIONS IN LAYOUT AND POSITIONING TO PROVIDE PROPER ACCESS. ANY CHANGES REQUIRED TO ELIMINATE CONFLICTS OR THAT RESULT FROM A FAILURE TO COORDINATE SHALL BE MADE BY THE CONTRACTOR WITHOUT ADDITIONAL COST OR EXPENSE TO OTHERS.
- EACH CONTRACTOR IS RESPONSIBLE FOR ALL COSTS ASSOCIATED WITH ELECTRICAL CHANGES REQUIRED FOR EQUIPMENT PROPOSED THAT DIFFERS FROM THE BASIS OF DESIGN. REFER TO ARCHITECTURAL, REFLECTED CEILING PLAN, ELECTRICAL, TECHNOLOGY AUDIOVISUAL, AND OTHER MECHANICAL PLANS FOR EXACT LOCATIONS OF ALL CEILING MOUNTED DEVICES, OTHER THAN SPRINKLERS.
- EACH CONTRACTOR IS RESPONSIBLE FOR DAMAGE CAUSED BY THEIR ACTIONS TO WALLS, FLOORS, CEILINGS, AND ROOFS. THE CONTRACTOR WHOSE WORK CAUSES DAMAGE IS RESPONSIBLE FOR PATCHING TO MATCH ORIGINAL CONSTRUCTION, FIRE RATING, AND FINISH.
- IN AREAS WITH DRYWALL CEILINGS COORDINATE LOCATIONS OF ACCESS PANELS WITH THE GC FOR ACCESS TO VALVES, ETC. COORDINATE PANEL TYPE AND COLOR WITH ARCHITECT. NOTIFY THE GC OF THE REQUIRED ACCESS PANELS PRIOR TO BIDDING.
- SEAL ALL FLOOR AND WALL PENETRATIONS AIRTIGHT WHERE PIPING PENETRATE. PENETRATIONS THROUGH EXTERIOR WALLS AND ROOF SHALL BE SEALED AIRTIGHT WITH WATERPROOFING MATERIALS RECOMMENDED BY MANUFACTURER FOR OUTDOOR USE.
- CAULK ALL PIPE PENETRATIONS OF FULL HEIGHT NON-FIRE RATED WALL, PARTITION, FLOOR, AND ROOF ASSEMBLIES. THIS IS ESSENTIAL TO PREVENT NOISE TRANSMISSION FROM ONE ROOM TO ANOTHER AND TO PROVIDE THE DESIRED NC LEVELS WITHIN ROOMS.
- WHERE PIPES ARE SHOWN TO PENETRATE FLOORS, PROVIDE SLEEVED OPENINGS WITH THE TOP EDGE RAISED ABOVE FLOOR SURFACE IN ACCORDANCE WITH ALL RELEVANT SPEC SECTIONS. SEAL SLEEVE PERIMETER TO BE WATERTIGHT.
- EQUIPMENT SIZES AND SERVICE CLEARANCE REQUIREMENTS VARY BETWEEN DIFFERENT MANUFACTURERS. CONSULT APPROVED SHOP DRAWINGS FOR EQUIPMENT SIZES AND REQUIRED SERVICE CLEARANCES. COORDINATE WITH LAYOUT OF EQUIPMENT PADS, PIPING, DUCTWORK, ETC.
- DO NOT BLOCK EQUIPMENT SERVICE CLEARANCES.
- MAINTAIN MINIMUM 3'-6" CLEARANCE IN FRONT OF ALL ELECTRICAL PANELS, MOTOR STARTERS, SWITCHES, AND DISCONNECTS.
- PROVIDE CONCRETE EQUIPMENT PAD FOR ALL FLOOR MOUNTED EQUIPMENT. PAD SHALL EXTEND MINIMUM 6" BEYOND ALL SIDES OF EQUIPMENT.
- DO NOT SUPPORT EQUIPMENT OR PIPING FROM METAL DECKING OR OTHER NON-STRUCTURAL BUILDING ELEMENTS. ANCHORS EMBEDDED IN CONCRETE SHALL BE CRACKED CONCRETE APPROVED IN ACCORDANCE WITH SPECIFICATIONS.

FIRE PROTECTION SYMBOL LIST

SYMBOL:	DESCRIPTION:
	DRAIN
	FIRE PROTECTION
	SERVICE WATER - POTABLE
	PIPE CAP
	PIPE DOWN
	PIPE UP OR UP/DOWN
	DIRECTION OF FLOW IN PIPE
	UNION / FLANGE
	SHUTOFF VALVE NORMALLY OPEN
	SHUTOFF VALVE NORMALLY CLOSED
	AUTOMATIC DRAIN VALVE
	ANGLE VALVE
	BUTTERFLY VALVE WITH MONITOR SWITCH
	CHECK VALVE
	INSPECTOR TEST AND DRAIN VALVE
	OS&Y GATE VALVE WITH MONITOR SWITCH
	FLOW SWITCH
	PRESSURE GAUGE (FURNISHED WITH BALL VALVE)
	NO HATCH
	ORDINARY GROUP 1
	ORDINARY GROUP 2
	SPRINKLER - WALL MOUNTED
	SPRINKLER - UPRIGHT

FIRE PROTECTION ABBREVIATION KEY

ABBR:	DESCRIPTION:
BFP	BACKFLOW PREVENTER
NC	NEW CONNECTION
TYP	TYPICAL

FIRE BARRIER DESIGNATIONS

THE SYMBOLS SHOWN ARE FOR THE CONVENIENCE OF THE CONTRACTOR. THE CONTRACTOR SHALL VERIFY RATINGS WITH THE LATEST SET OF ARCHITECTURAL PLANS AND FURNISH ALL MATERIALS REQUIRED TO COMPLY WITH THOSE RATINGS WHETHER SHOWN OR NOT.

ALL FLOOR, FLOOR CEILING, AND ROOF CEILING ASSEMBLIES SHALL BE DESIGNATED AS 1 HOUR FIRE BARRIERS, UNLESS NOTED OTHERWISE ON THE PLANS. RATINGS WERE ACQUIRED FROM THE ARCHITECTURAL PLANS DATED 08/12/2015.

1 HOUR FIRE BARRIER	-----
---------------------	-------

FIRE PROTECTION SHEET INDEX

FP0.00	FIRE PROTECTION COVER SHEET
FP1.10	LEVEL 1 PLAN - FIRE PROTECTION
FP1.20	LEVEL 2 PLAN - FIRE PROTECTION
FP2.00	FIRE PROTECTION RISER DIAGRAM, DETAILS & MATERIAL LIST
FP2.01	FIRE PROTECTION DETAILS

KJWW ENGINEERING CONSULTANTS
 1100 WARRENVILLE ROAD, SUITE 400W
 NAPERVILLE, ILLINOIS 60563
 630.527.2320 FAX: 630.527.2321
 WWW.KJWW.COM
 PROJECT # 14-005-00
 DESIGN FIRM REGISTRATION #14-005-0077

KJWW ENGINEERING RESERVES PROPRIETARY RIGHTS, INCLUDING COPYRIGHTS, TO THE DRAWING AND THE DATA SHOWN THEREON. SUCH DRAWING AND/OR DATA ARE THE EXCLUSIVE PROPERTY OF KJWW ENGINEERING AND SHALL NOT BE USED OR REPRODUCED FOR ANY OTHER PROJECT WITHOUT THE EXPRESS WRITTEN APPROVAL AND PARTICIPATION OF KJWW ENGINEERING. © 2015 KJWW, P.C.

REFERENCE SCALE IN INCHES
 0 1 2 3

SHEET STATUS: 9/21/15

ISSUED FOR CONSTRUCTION

NO:	DESCRIPTION:	DATE:

SHEET TITLE:
FIRE PROTECTION COVER SHEET

SHEET NUMBER:

FP0.00



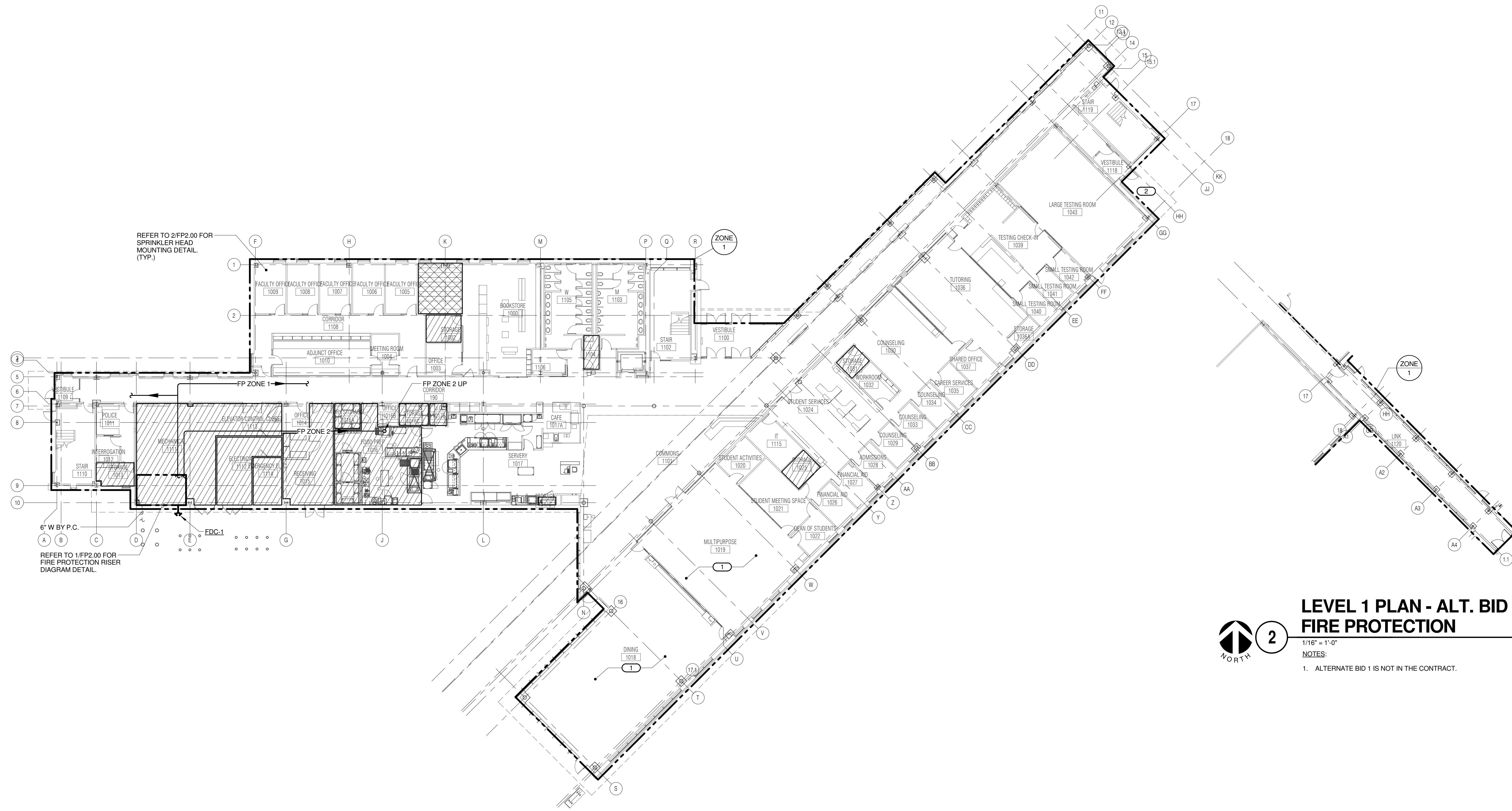
ARCHITECT OF RECORD
DEMONICA KEMPER ARCHITECTS
 125 N. HALSTED STREET, SUITE 301
 CHICAGO, IL 60661
 P: 312.496.0000

STRUCTURAL AND MEP/FP ENGINEERING
KJWW ENGINEERING CONSULTANTS
 1100 WARRENVILLE RD., SUITE 400W
 NAPERVILLE, IL 60563
 P: 630.527.2320

FOOD SERVICE CONSULTANT
CINI LITTLE INTERNATIONAL, INC.
 200 E. HOWARD AVE., SUITE 212
 DES PLAINES, IL 60018
 P: 847.298.0088

- GENERAL FIRE PROTECTION NOTES :**
1. FIRE PROTECTION PIPE ROUTING IS SHOWN FOR GENERAL LAYOUT. DETERMINE EXACT NUMBER OF SPRINKLERS, PIPE SIZING, AND PIPE ROUTING.
 2. CENTER SPRINKLERS IN CEILING TILES IN BOTH DIRECTIONS IN ALL AREAS. IN AREAS WITH 2'x4' CEILING TILES CENTERING USING A 2'x2' CEILING PATTERN IS ACCEPTABLE.
 3. SPRINKLERS SHALL BE QUICK RESPONSE TYPE, UNLESS OTHERWISE NOTED. CONTRACTOR SHALL NOT MIX STANDARD RESPONSE SPRINKLERS WITH QUICK RESPONSE SPRINKLERS IN UNPARTITIONED SPACES.
 4. PROVIDE COVERAGE ABOVE AND BELOW ALL DUCTWORK GREATER THAN 48" WIDE.
 5. SPRINKLERS INSTALLED IN STAIR 1119, STAIR 1102, VESTIBULE 1100, VESTIBULE 1118 AND LOCATED NEAR HEAT SOURCES SHALL BE INSTALLED PER NFPA 13.

- KEYNOTES: (#)**
1. SPRINKLE ABOVE AND BELOW WOOD CEILING AS REQUIRED PER NFPA 13. COORDINATE EXACT LOCATION WITH ARCHITECTURAL DRAWINGS.
 2. REFER TO 2:FP1.10 FOR ALTERNATE BID #1 SCOPE.



REFER TO 2:FP2.00 FOR SPRINKLER HEAD MOUNTING DETAIL. (TYP.)

REFER TO 1:FP2.00 FOR FIRE PROTECTION RISER DIAGRAM DETAIL.

6" W BY P.C.

FDC-1



LEVEL 1 PLAN - ALT. BID 1 - FIRE PROTECTION

1/16" = 1'-0"

- NOTES:
1. ALTERNATE BID 1 IS NOT IN THE CONTRACT.

LEVEL 1 PLAN - FIRE PROTECTION

1/16" = 1'-0"

KJWW ENGINEERING CONSULTANTS
 1100 WARRENVILLE ROAD, SUITE 400W
 NAPERVILLE, ILLINOIS 60563
 630.527.2320 FAX: 630.527.2321
 WWW.KJWW.COM

WJW ENGINEERING
 1100 WARRENVILLE ROAD, SUITE 400W
 NAPERVILLE, ILLINOIS 60563
 630.527.2320 FAX: 630.527.2321
 WWW.WJW.COM

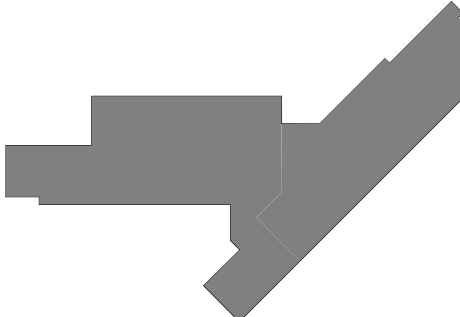
Block Design Firm Registration #18-08073

KJWW ENGINEERING RESERVES PROPRIETARY RIGHTS, INCLUDING COPYRIGHTS, TO THIS DRAWING AND THE DATA SHOWN THEREON. SUCH DRAWING AND/OR DATA ARE THE EXCLUSIVE PROPERTY OF KJWW ENGINEERING AND SHALL NOT BE USED OR REPRODUCED FOR ANY OTHER PROJECT WITHOUT THE EXPRESS WRITTEN APPROVAL AND PARTICIPATION OF KJWW ENGINEERING. © 2015 KJWW, P.C.

REFERENCE SCALE IN INCHES

**JOLIET JUNIOR COLLEGE
 ROMEOVILLE CAMPUS EXPANSION**
 1125 135th ST. ROMEOVILLE, IL 60446
 DKA PROJECT NO: 14-005

KEY PLAN:



SHEET STATUS: 9/21/15
ISSUED FOR CONSTRUCTION

NO.	DESCRIPTION:	DATE:

SHEET TITLE:
LEVEL 1 PLAN - FIRE PROTECTION

SHEET NUMBER:
FP1.10



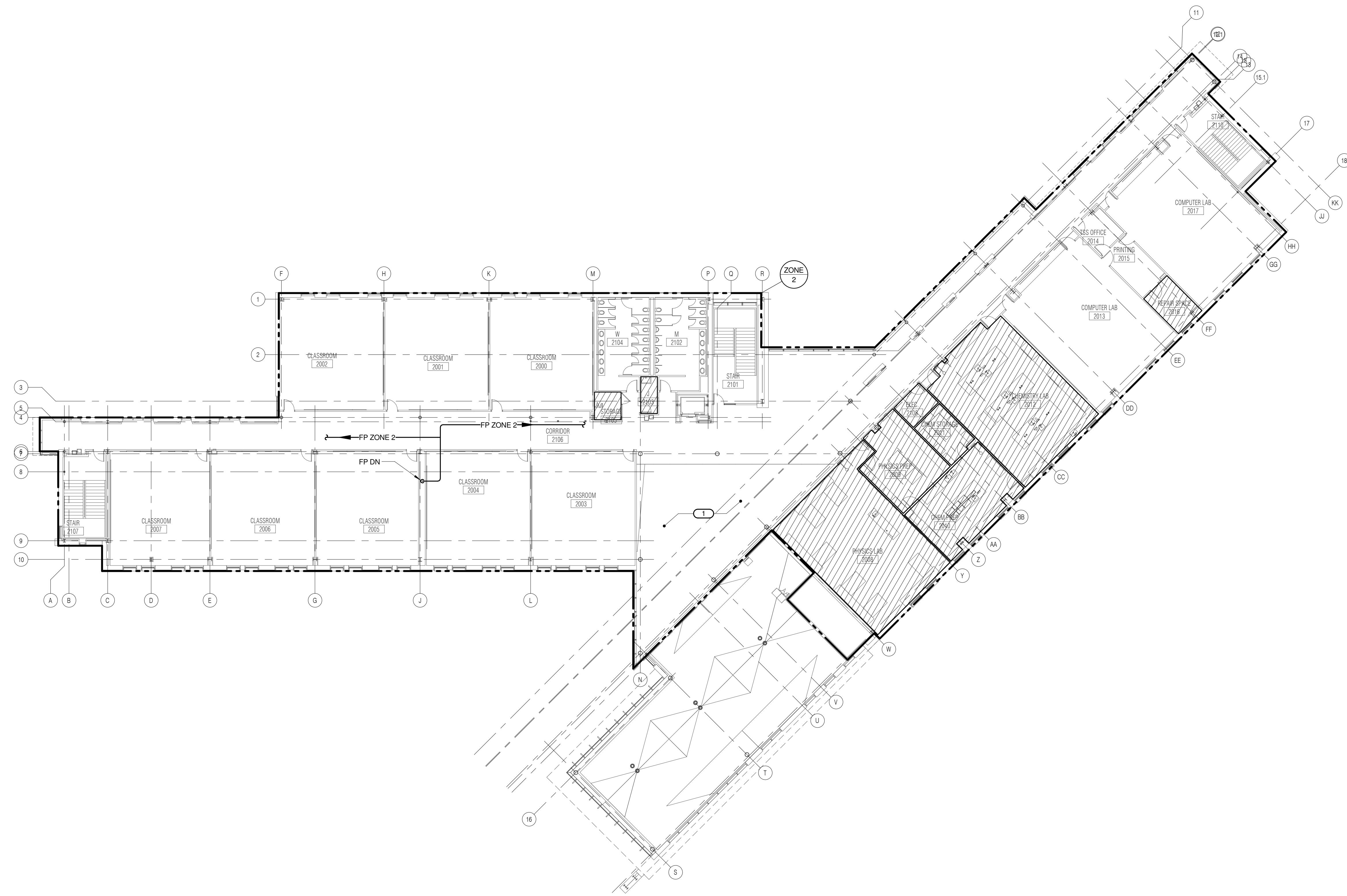
ARCHITECT OF RECORD
DEMONICA KEMPER ARCHITECTS
 125 N. HALSTED STREET, SUITE 301
 CHICAGO, IL 60661
 P: 312.496.0000

STRUCTURAL AND MEP/FP ENGINEERING
KJWW ENGINEERING CONSULTANTS
 1100 WARRENVILLE RD., SUITE 400W
 NAPERVILLE, IL 60563
 P: 630.527.2320

FOOD SERVICE CONSULTANT
CINI LITTLE INTERNATIONAL, INC.
 200 E. HOWARD AVE., SUITE 212
 DES PLAINES, IL 60018
 P: 847.298.0088

- GENERAL FIRE PROTECTION NOTES :**
1. FIRE PROTECTION PIPE ROUTING IS SHOWN FOR GENERAL LAYOUT. DETERMINE EXACT NUMBER OF SPRINKLERS, PIPE SIZING, AND PIPE ROUTING.
 2. CENTER SPRINKLERS IN CEILING TILES IN BOTH DIRECTIONS IN ALL AREAS. IN AREAS WITH 2'x4' CEILING TILES CENTERING USING A 2'x2' CEILING PATTERN IS ACCEPTABLE.
 3. SPRINKLERS SHALL BE QUICK RESPONSE TYPE, UNLESS OTHERWISE NOTED. CONTRACTOR SHALL NOT MIX STANDARD RESPONSE SPRINKLERS WITH QUICK RESPONSE SPRINKLERS IN UNPARTITIONED SPACES.
 4. PROVIDE COVERAGE ABOVE AND BELOW ALL DUCTWORK GREATER THAN 48" WIDE.
 5. SPRINKLERS INSTALLED IN STAIR 2110, STAIR 2101 AND LOCATED NEAR HEAT SOURCES SHALL BE INSTALLED PER NFPA 13.

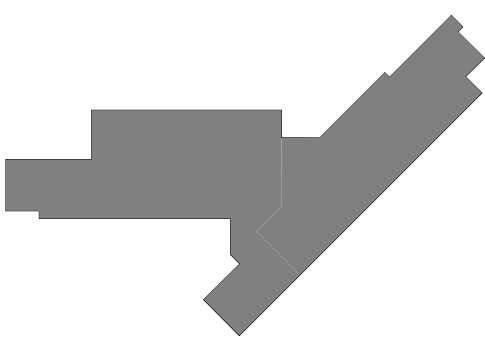
- KEYNOTES: (#)**
1. PROVIDE COVERAGE ABOVE AND BELOW FLOATING CEILINGS. ALL FP PIPING IN THIS AREA SHALL BE HIDDEN FROM VIEW AND PAINTED. REFER TO ARCHITECTURAL PLANS FOR EXACT LOCATIONS. PAINT COLOR SELECTION SHALL BE BY ARCHITECT.



1 LEVEL 2 PLAN - FIRE PROTECTION
 1/16" = 1'-0"

JOLIET JUNIOR COLLEGE
ROMEIOVILLE CAMPUS EXPANSION
 1125 135th ST. ROMEIOVILLE, IL 60446
 DKA PROJECT NO: 14-005

KEY PLAN:



SHEET STATUS: 9/21/15
ISSUED FOR CONSTRUCTION

NO.	DESCRIPTION:	DATE:

SHEET TITLE:
LEVEL 2 PLAN - FIRE PROTECTION

SHEET NUMBER:

FP1.20

KJWW ENGINEERING CONSULTANTS
 1100 WARRENVILLE ROAD, SUITE 400W
 NAPERVILLE, IL 60563
 630.527.2320 FAX: 630.527.2321
 WWW.KJWW.COM

WJW ENGINEERING CONSULTANTS
 1100 WARRENVILLE ROAD, SUITE 400W
 NAPERVILLE, IL 60563
 630.527.2320 FAX: 630.527.2321
 WWW.WJW.COM

Block Design Firm Registration #14-005-0075
 PROJECT # 14-0433-00

KJWW ENGINEERING RESERVES PROPRIETARY RIGHTS, INCLUDING COPYRIGHTS, TO THIS DRAWING AND THE DATA SHOWN THEREON. SUCH DRAWING AND/OR DATA ARE THE EXCLUSIVE PROPERTY OF KJWW ENGINEERING AND SHALL NOT BE USED OR REPRODUCED FOR ANY OTHER PROJECT WITHOUT THE EXPRESS WRITTEN APPROVAL AND PARTICIPATION OF KJWW ENGINEERING. © 2015 KJWW, P.C.

REFERENCE SCALE IN INCHES
 0 1 2 3



ARCHITECT OF RECORD
DEMONICA KEMPER ARCHITECTS
 125 N. HALSTED STREET, SUITE 301
 CHICAGO, IL 60661
 P: 312.496.0000

STRUCTURAL AND MEP/FI ENGINEERING
KJWW ENGINEERING CONSULTANTS
 1100 WARRENVILLE RD., SUITE 400W
 NAPERVILLE, IL 60563
 P: 630.527.2320

FOOD SERVICE CONSULTANT
CINI LITTLE INTERNATIONAL, INC.
 200 E. HOWARD AVE., SUITE 212
 DES PLAINES, IL 60018
 P: 847.298.0088

JOLIET JUNIOR COLLEGE
ROMEORVILLE CAMPUS EXPANSION
 1125 135th ST. ROMEORVILLE, IL 60446
 DKA PROJECT NO: 14-005

KEY PLAN:

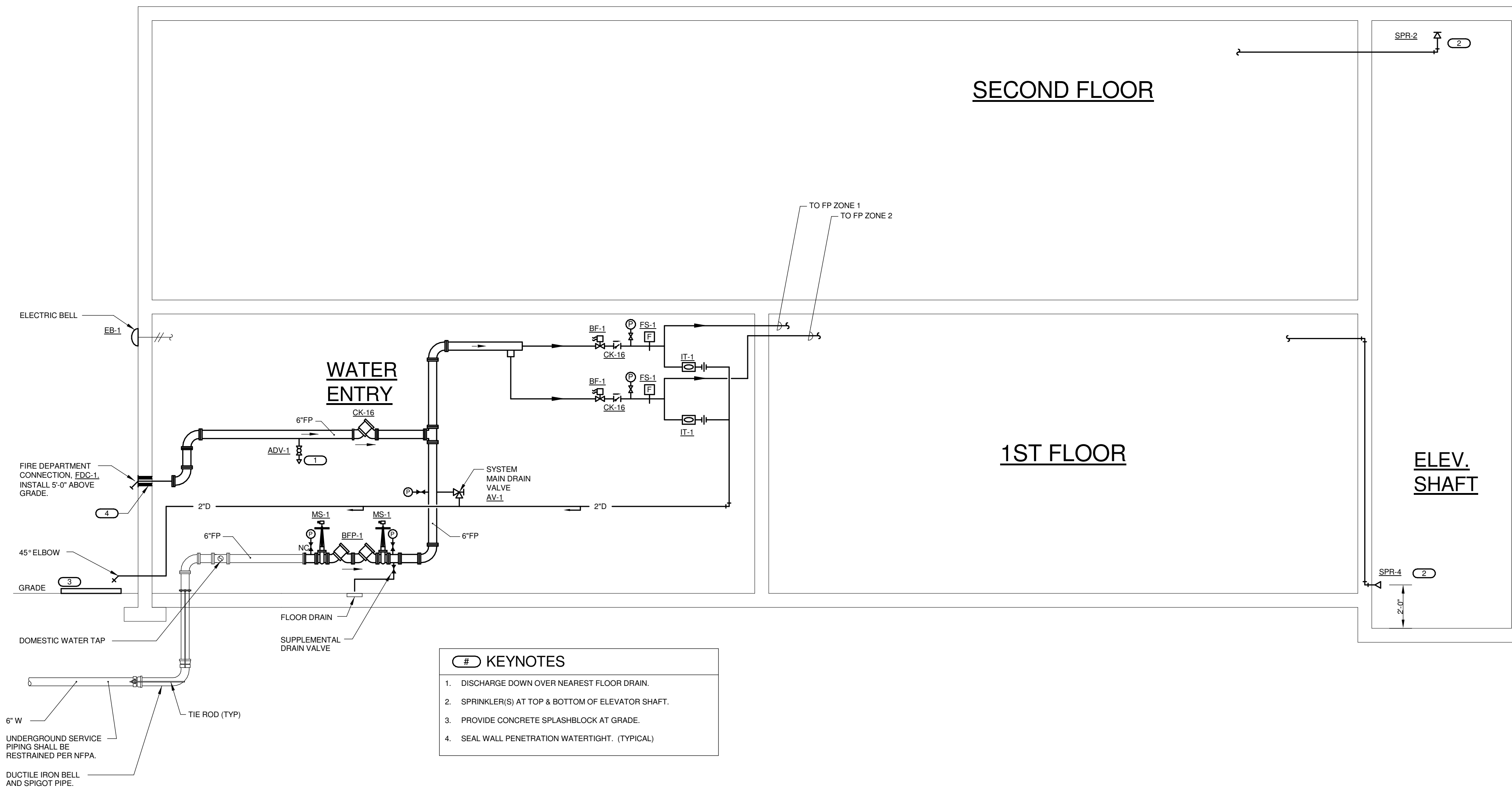
SHEET STATUS: 9/21/15
ISSUED FOR CONSTRUCTION

NO.	DESCRIPTION	DATE

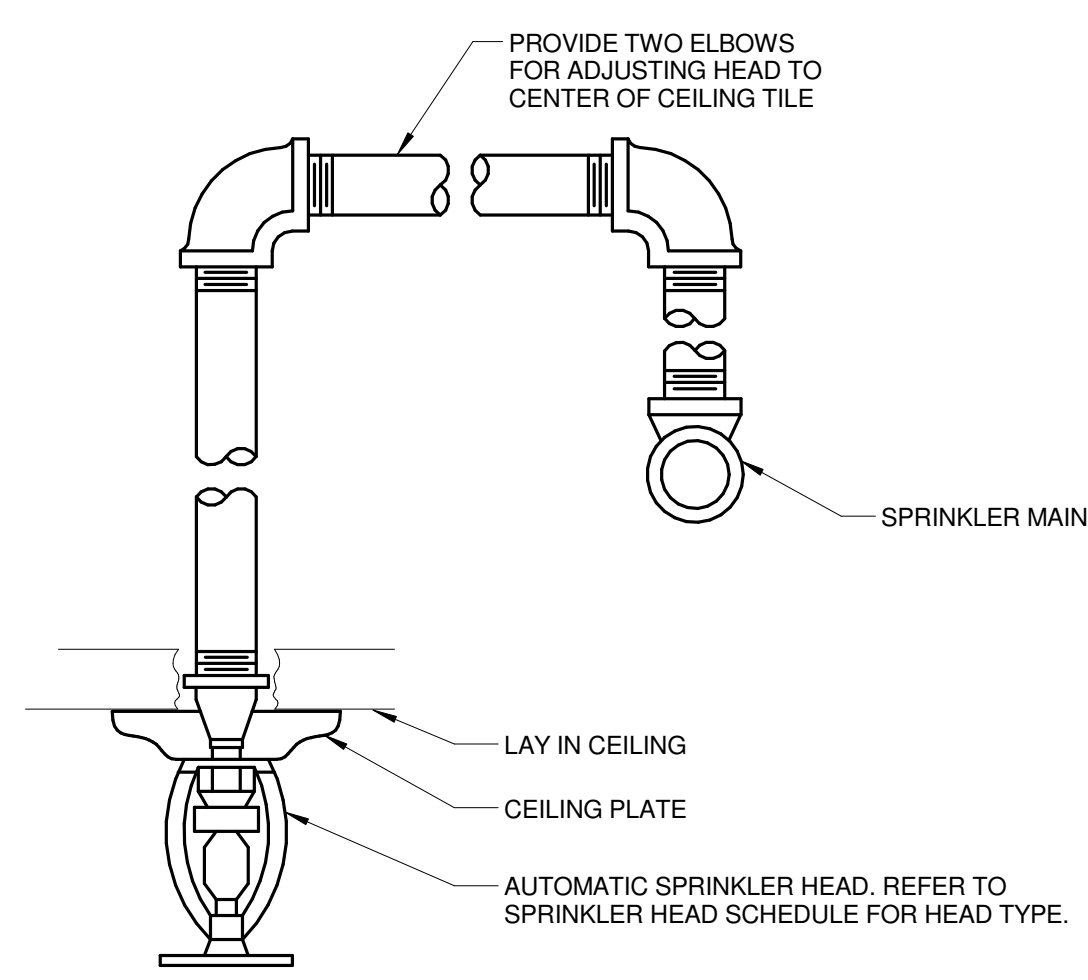
SHEET TITLE:
FIRE PROTECTION RISER DIAGRAM, DETAILS & MATERIAL LIST

SHEET NUMBER:
FP2.00

FIRE PROTECTION MATERIAL LIST	
THE SYMBOLS AND THE MATERIAL LIST ARE FOR THE CONVENIENCE OF THE CONTRACTOR. CONTRACTOR SHALL VERIFY QUANTITIES AND FURNISH ALL MATERIALS REQUIRED FOR FULLY OPERATIONAL SYSTEMS, WHETHER SPECIFIED OR NOT.	
CATALOG NUMBERS SHALL NOT BE CONSIDERED COMPLETE, BUT ARE GIVEN AS AN AID TO THE CONTRACTOR AND TO INDICATE THE QUALITY REQUIRED. CONTRACTOR IS RESPONSIBLE FOR COMPLETE DESCRIPTION OF MATERIAL ON THESE DRAWINGS AND IN THE SPECIFICATIONS BEFORE ORDERING. THE DESCRIPTION OF THE MATERIAL TAKES PRECEDENCE OVER THE CATALOG NUMBER. THE FIRST LISTED MANUFACTURER IS THE BASIS OF DESIGN.	
AD-1	DESCRIPTION: AUTOMATIC DRIP VALVE, 175 PSI WP, BRASS BAR, STAINLESS STEEL SPRING AND RETAINING RING, CLOSING PRESSURE 13.5 PSI WITH INCREASING PRESSURE, OPENING PRESSURE 12.5 PSI WITH DECREASING PRESSURE, 1/2" NPT INLET AND 1/4" NPT DRAIN OUTLET. MANUFACTURER & CATALOG NO.: VIKING B-1, TYCO AD-1, RELIABLE C.
AV-1	DESCRIPTION: ANGLE VALVE, 1/2" TO 2", 175 PSI BRONZE BODY, INTEGRAL SEAT, SOFT DISC, HANDWHEEL, THREADED, UL. MANUFACTURER & CATALOG NO.: UNITED 1265 UL, NIBCO K7-47-UL / T-301-W, KENNEDY 98 50, FPPI.
BF-1	DESCRIPTION: 2" TO 12" BUTTERFLY VALVE, 175 PSI WP, LUGGED OR GROOVED TYPE, IRON BODY, ALUMINUM BRONZE OR EPDM COATED IRON DISC, STAINLESS STEEL STEM AND SCREWS, EPDM SEAT, INTEGRAL MONITOR SWITCH, RATED FOR DEAD END SERVICE, UL/FM. MANUFACTURER & CATALOG NO.: GEM 8000FP, TYCO BFV, KENNEDY 01, NIBCO LD5510-B, GD-4768-IN, VICTAULIC 705-W, KENNEDY DESCRIPTION: 1" TO 2 1/2" SLOW CLOSE BUTTERFLY VALVE, 175 PSI WP, BRONZE BODY, TYPE 304 STAINLESS STEEL ELASTOMER COATED DISC, SLOW CLOSE MANUAL OPERATOR WITH INTEGRAL TAMPER SWITCH, GROOVED OR THREADED ENDS, UL/FM. MANUFACTURER & CATALOG NO.: MILWAUKEE BB-SCS OR APPROVED EQUAL.
BEP-1	DESCRIPTION: DOUBLE CHECK BACKFLOW PREVENTER WITH SPRING LOADED VALVES, CAST IRON CONSTRUCTION, WITH BRONZE, PLASTIC OR STAINLESS STEEL INTERNAL PARTS AND STAINLESS STEEL SPRINGS, OS & Y RISING STEM SHUT-OFF VALVES ON BOTH SIDES OF CHECK VALVES, UNITS SHALL INCLUDE FOUR TEST COCKS WITH SHUT-OFF VALVES AND SHALL BE BACKFLOW TESTED AT THE FACTORY, RATED FOR 175 PSI AT 33 DEGREES F, TO 140 DEGREES F, MAXIMUM PRESSURE DROP 8 PSI AT 10 FPS REGARDLESS OF SIZE, FLOW PRESSURE DROP CURVES SHALL BE SUBMITTED, ALL PARTS TO BE SERVICEABLE WITHOUT REMOVING UNIT FROM LINE, APPROVED BY USC FCCC & HR, AWWA C510-92, ASSE 1015, IAPMO AND SBCCI LISTED, UL/FM. MANUFACTURER & CATALOG NO.: WATTS SERIES 007 & 709, CONBRACO SERIES 40-100, FEBCO 850, WILKINS 900XL & 950.
CK-16	DESCRIPTION: 2 1/2" TO 12" SWING CHECK VALVE, 175 PSI WP, FLANGED OR GROOVED, IRON BODY, BRONZE MOUNTED, BRONZE SEAT RING AND RUBBER CLAPPER FACING, SWING TYPE, UL/FM. MANUFACTURER & CATALOG NO.: VIKING D-1G-1, TYCO CV-1F, RELIABLE D OR G, KENNEDY 126A OR 426, ANVIL/STAR 78FP DESCRIPTION: 1 1/2" TO 2" CHECK VALVE, 250 PSI WP, THREADED OR GROOVED, BRASS BODY, BRASS SEAT AND RUBBER CLAPPER FACING, SPRING LOADED IN LINE TYPE, UL/FM. MANUFACTURER & CATALOG NO.: VIKING L-1K-1.
EB-1	DESCRIPTION: ELECTRIC BELL, 10" GONG SIZE, MINIMUM UL SPHERICAL 4B MEASUREMENT OF 81, 120 VOLT AC, STEEL GONG, DIECAST ALUMINUM BASE, WIRED FINISH. MANUFACTURER & CATALOG NO.: POTTER PB412, JOHNSON FIRE & SPECIALTIES, FARR-LARM SERIES 3300.
EDC-1	DESCRIPTION: EXPOSED FIRE DEPT. 5" LOCKING STORZ INLET CONNECTION, POLISHED CHROME PLATED SINGLE INLET BODY WITH POLISHED CHROME PLATED WALL PLATE LABELED "AUTO. SPR." 5" UL, THREADS TO MATCH LOCAL FIRE DEPARTMENT, PROVIDE WITH A 30 DEGREE ELBOW TOWARDS GRADE. MANUFACTURER & CATALOG NO.: POTTER-ROEMER, CROKER, GUARDIAN, ELKHART.
ES-1	DESCRIPTION: FLOW SWITCH - VANE TYPE FOR USE ON WET PIPE SPRINKLER SYSTEM TO DETECT A MINIMUM FLOW OF 10 GPM, TWO SINGLE POLE DOUBLE THROW SWITCHES WITH PNEUMATIC RETARD-ADJUSTABLE FROM 0-90 SECONDS WITH AUTOMATIC RESET, TAMPER RESISTANT METAL HOUSING, UL/FM. MANUFACTURER & CATALOG NO.: SYSTEM SENSOR WFD SERIES, POTTER ELECTRIC VSR-F.
IT-1	DESCRIPTION: 1" INSPECTOR'S TEST AND DRAIN VALVE WITH INTEGRAL SIGHT GLASS, BALL VALVE WITH INTEGRAL LABELED PLATE SHOWING GFI TEST DRAIN POSITIONS, FURNISHED WITH TEST ORIFICE GIVING FLOW EQUIVALENT TO ONE SPRINKLER OF A TYPE HAVING THE SMALLEST ORIFICE INSTALLED ON THE SYSTEM, UL. MANUFACTURER & CATALOG NO.: RELIABLE B W1" BALL VALVE, TYCO F350, AGF MODEL 1000.
MS-1	DESCRIPTION: MONITOR SWITCH - ELECTRIC, ONE SINGLE POLE, DOUBLE THROW CONTACT, CAST ALUMINUM HOUSING WITH CORROSION RESISTANT PARTS, WITH JUNCTIONS FOR MOUNTING, UL/FM, VERIFY ELECTRICAL CHARACTERISTICS WITH ELECTRICAL CONTRACTOR PRIOR TO PURCHASE. MANUFACTURER & CATALOG NO.: POTTER ELECTRIC OSYSU-1, SYSTEM SENSOR OSY2.



1 FIRE PROTECTION RISER DIAGRAM
 NO SCALE



2 SPRINKLER HEAD MOUNTING DETAIL
 NO SCALE

AREA		SPRINKLER					MANUFACTURER & MODEL	REMARKS
AREA TYPE (NOTE 1 & 5)	AREA HAZARD	SYMBOL (NOTES 3 & 4)	TYPE	RESPONSE	FINISH	TEMPERATURE °F		
AREAS WITHOUT CEILINGS	REFER TO PLANS	SPR-1	UPRIGHT	QUICK	ROUGH BRASS	155	VIKING VK, RELIABLE F1FR, TYCO TY-FRB, VICTAULIC V2704	NOTE 2
MECHANICAL SPACES, TOP OF ELEVATOR SHAFT	REFER TO PLANS	SPR-2	UPRIGHT	QUICK	ROUGH BRASS	175	VIKING VK, RELIABLE F1FR, TYCO TY-FRB, VICTAULIC V2704	NOTE 2
OCCUPIED SPACES WITH CEILINGS	REFER TO PLANS	SPR-3	CONCEALED	QUICK	ROUGH BRASS	155	VIKING VK, RELIABLE GA, TYCO REI, VICTAULIC V3602	NOTE 2, 7
BOTTOM OF ELEVATOR PIT, ELECTRICAL ROOMS, IT CLOSETS	REFER TO PLANS	SPR-4	SIDEWALL	QUICK	ROUGH BRASS	175	VIKING VK, RELIABLE F1FR, TYCO TY-FRB, VICTAULIC V2710	NOTE 2, 8
WALK-IN COOLERS	REFER TO PLANS	SPR-5	DRY PENDENT	QUICK	ROUGH BRASS	155	VIKING VK, RELIABLE F3OR, TYCO DS, VICTAULIC V3606	NOTE 2, 6

- NOTES:
- REFER TO FLOOR PLANS FOR ZONING REQUIREMENTS.
 - ALL SPRINKLERS SHALL BE UL LISTED.
 - CONTRACTOR TO VERIFY SPRINKLER REQUIREMENTS BASED ON ACTUAL INSTALLATION, USAGE, ARCHITECTURAL CEILING PLAN AND NFPA 13 REQUIREMENTS.
 - SYMBOL IS PRIMARILY FOR IDENTIFYING SPRINKLERS IN SUBMITTALS. IT MAY OR MAY NOT BE FOUND ELSEWHERE ON THE DRAWINGS. CONTRACTOR TO SUBMIT ALL SPRINKLER TYPES TO BE USED.
 - AREAS ARE GENERAL IN NATURE. CONTRACTOR TO MATCH UNSCHEDULED AREAS TO SIMILAR SPACES.
 - SPRINKLERS SHALL HAVE A 3mm QUICK RESPONSE BULB.
 - COLOR VARIES BY SPRINKLER LOCATION. COORDINATE COLOR OF ALL SPRINKLER COVERS WITH ARCHITECT.
 - NO FIRE PROTECTION PIPING SHALL BE ROUTED IN OR THROUGH ELECTRICAL OR IT ROOMS.

KJWW ENGINEERING CONSULTANTS
 1100 WARRENVILLE ROAD, SUITE 400W
 NAPERVILLE, IL 60563
 630.527.2320 FAX: 630.527.2321
 WWW.KJWW.COM

PROJECT # 14-005-00

DESIGN FIRM REGISTRATION # 08-0073

KJWW ENGINEERING RESERVES PROPRIETARY RIGHTS, INCLUDING COPYRIGHTS, TO THE DRAWING AND THE DATA SHOWN THEREON. THIS DRAWING AND/OR DATA ARE THE EXCLUSIVE PROPERTY OF KJWW ENGINEERING AND SHALL NOT BE USED OR REPRODUCED FOR ANY OTHER PROJECT WITHOUT THE EXPRESS WRITTEN APPROVAL AND PARTICIPATION OF KJWW ENGINEERING. © 2015 KJWW, P.C.

REFERENCE SCALE IN INCHES
 0 1 2 3

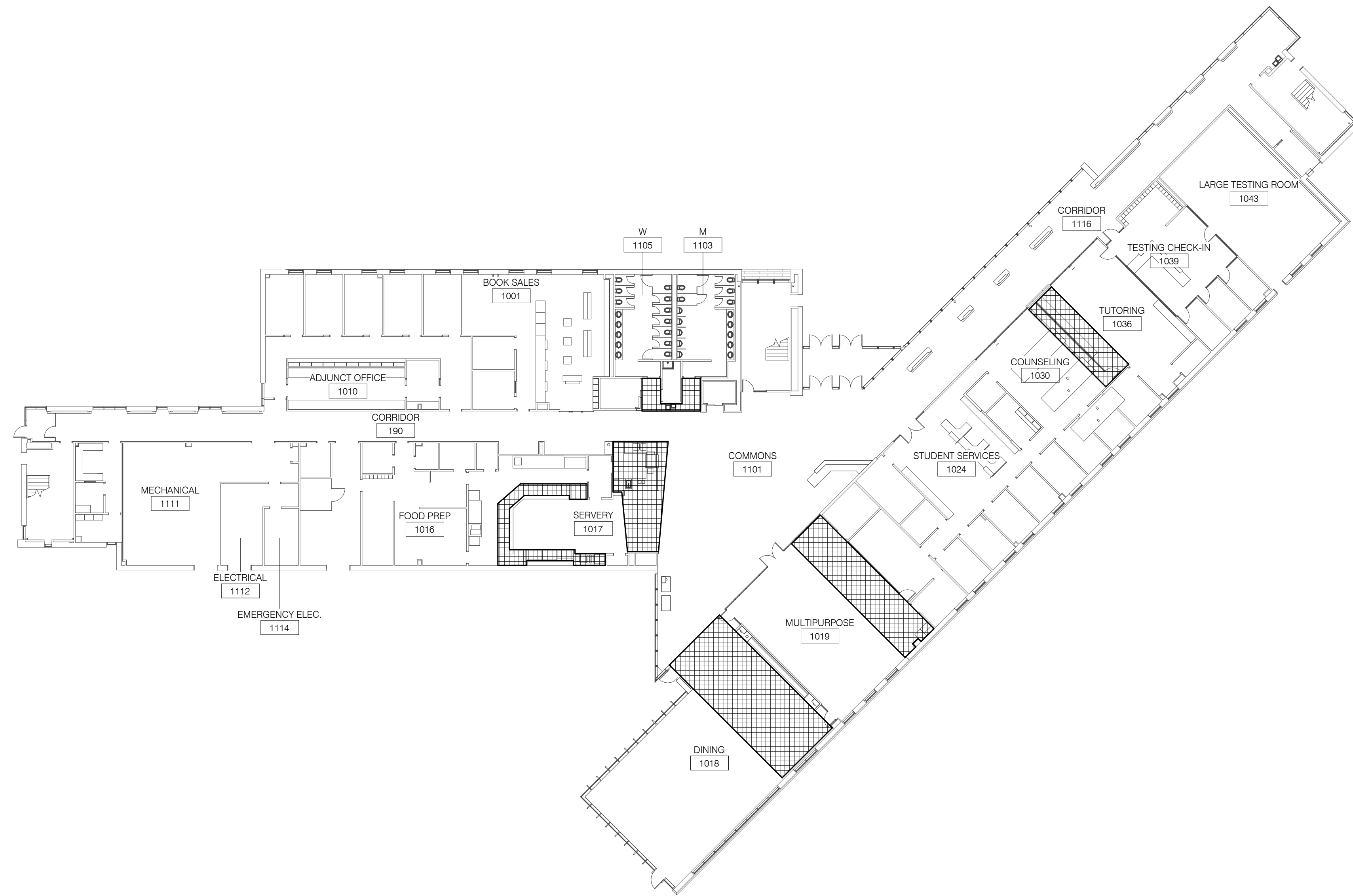


ARCHITECT OF RECORD
DEMONICA KEMPER ARCHITECTS
 125 N. HALSTED STREET, SUITE 301
 CHICAGO, IL 60661
 P: 312.496.0000

STRUCTURAL AND MEP/FP ENGINEERING
KJWW ENGINEERING CONSULTANTS
 1100 WARRENVILLE RD., SUITE 400W
 NAPERVILLE, IL 60563
 P: 630.527.2320

FOOD SERVICE CONSULTANT
CINI LITTLE INTERNATIONAL, INC.
 200 E. HOWARD AVE., SUITE 212
 DES PLAINES, IL 60018
 P: 847.298.0088

JOLIET JUNIOR COLLEGE
ROMEIOVILLE CAMPUS EXPANSION
 1125 135th ST. ROMEIOVILLE, IL 60446
 DKA PROJECT NO: 14-005

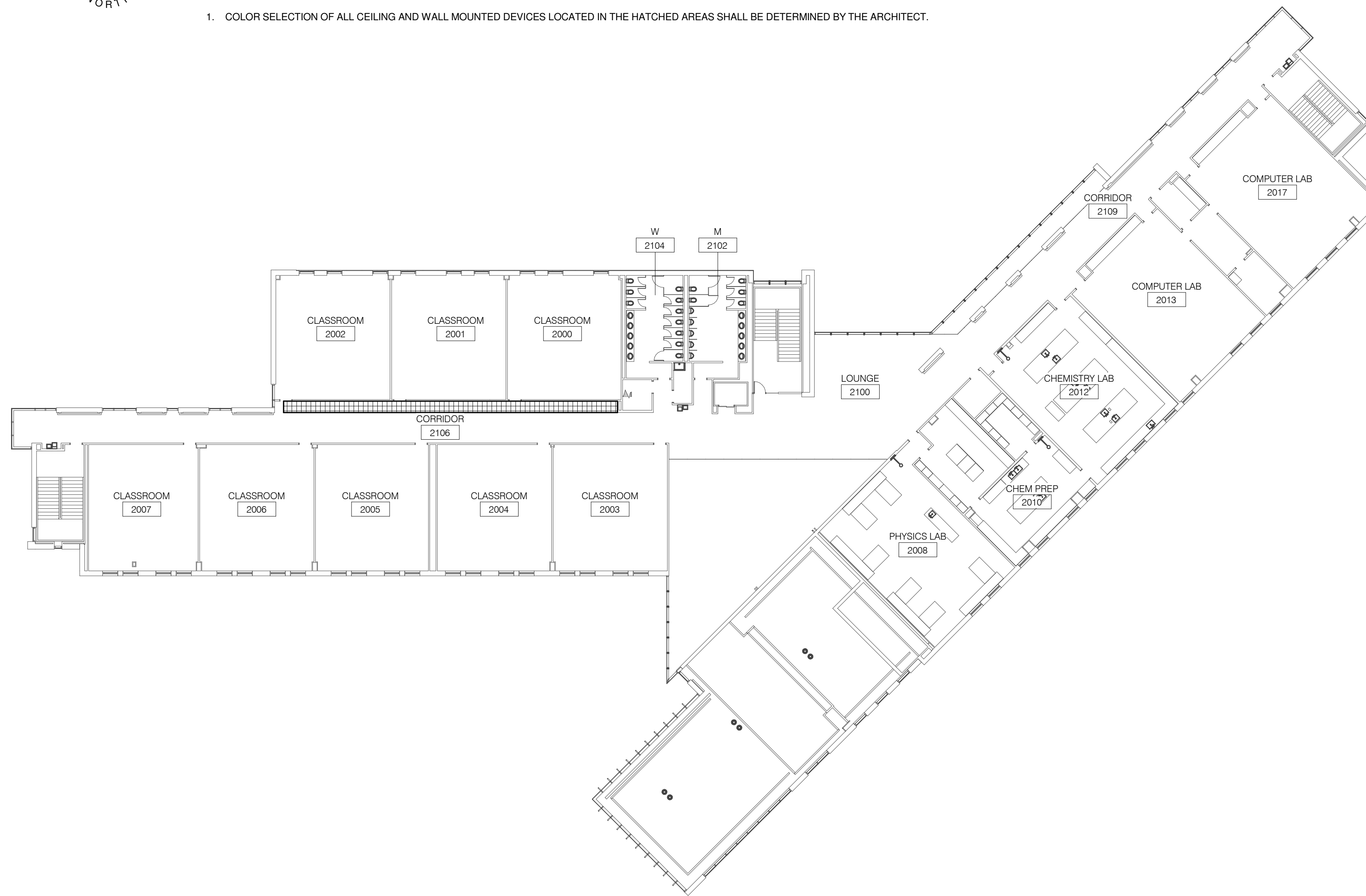


1 LEVEL 1 PLAN - AREAS REQUIRING CUSTOM COLOR DEVICES

1" = 20'-0"

NOTES:

- COLOR SELECTION OF ALL CEILING AND WALL MOUNTED DEVICES LOCATED IN THE HATCHED AREAS SHALL BE DETERMINED BY THE ARCHITECT.



2 LEVEL 2 PLAN - AREAS REQUIRING CUSTOM COLOR DEVICES

1" = 20'-0"

NOTES:

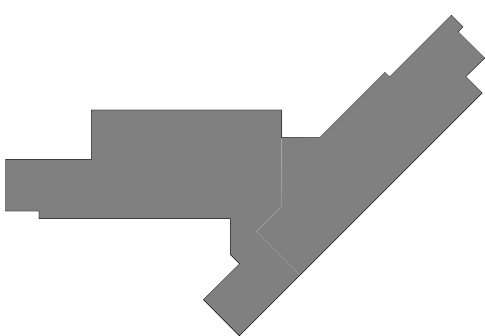
- COLOR SELECTION OF ALL CEILING AND WALL MOUNTED DEVICES LOCATED IN THE HATCHED AREAS SHALL BE DETERMINED BY THE ARCHITECT.

KJWW ENGINEERING CONSULTANTS
 1100 WARRENVILLE ROAD, SUITE 400W
 NAPERVILLE, IL 60563
 630.527.2320 FAX: 630.527.2321
 WWW.KJWW.COM
 PROJECT # 14-005-00
 DESIGN FIRM REGISTRATION #18-000773

KJWW ENGINEERING RESERVES PROPRIETARY RIGHTS, INCLUDING COPYRIGHTS, TO THIS DRAWING AND THE DATA SHOWN THEREON. SAID DRAWING AND/OR DATA ARE THE EXCLUSIVE PROPERTY OF KJWW ENGINEERING AND SHALL NOT BE USED OR REPRODUCED FOR ANY OTHER PROJECT WITHOUT THE EXPRESS WRITTEN APPROVAL AND PARTICIPATION OF KJWW ENGINEERING. © 2015 KJWW, P.C.

REFERENCE SCALE IN INCHES

KEY PLAN:



SHEET STATUS: 9/21/15
ISSUED FOR CONSTRUCTION

NO.	DESCRIPTION:	DATE:

SHEET TITLE:
FIRE PROTECTION DETAILS

SHEET NUMBER:

FP2.01



ARCHITECT OF RECORD
DEMONICA KEMPER ARCHITECTS
 125 N. HALSTED STREET, SUITE 301
 CHICAGO, IL 60661
 P: 312.496.0000

STRUCTURAL AND MEP/FP ENGINEERING
KJWW ENGINEERING CONSULTANTS
 1100 WARRENVILLE RD., SUITE 400W
 NAPERVILLE, IL 60563
 P: 630.527.2320

FOOD SERVICE CONSULTANT
CINI LITTLE INTERNATIONAL, INC.
 200 E. HOWARD AVE., SUITE 212
 DES PLAINES, IL 60018
 P: 847.288.0088

JOLIET JUNIOR COLLEGE
ROMEORVILLE CAMPUS EXPANSION
 1125 135th ST. ROMEORVILLE, IL 60446
 DKA PROJECT NO: 14-005

KEY PLAN:

SHEET STATUS: 9/21/15
ISSUED FOR CONSTRUCTION

NO.	DESCRIPTION:	DATE:

SHEET TITLE:
ELECTRICAL COVER SHEET

SHEET NUMBER:
E0.00

KJWW ENGINEERING CONSULTANTS
 1100 WARRENVILLE ROAD, SUITE 400W
 NAPERVILLE, ILLINOIS 60563
 630.527.2320 FAX: 630.527.2321
 WWW.KJWW.COM
 PROJECT # 14-005-00
 DESIGNER: [Signature]
 DATE: 09/12/2015

KJWW ENGINEERING RESERVES PROPRIETARY RIGHTS, INCLUDING COPYRIGHTS, TO THE DRAWING AND THE DATA SHOWN THEREON. SUCH DRAWINGS AND/OR DATA ARE THE EXCLUSIVE PROPERTY OF KJWW ENGINEERING AND SHALL NOT BE USED OR REPRODUCED FOR ANY OTHER PROJECT WITHOUT THE EXPRESS WRITTEN APPROVAL AND PARTICIPATION OF KJWW ENGINEERING. © 2015 KJWW, P.C.

ELECTRICAL INSTALLATION NOTES		
1.	THE COMPLETE INSTALLATION SHALL BE IN ACCORDANCE WITH THE ADAAG (AMERICANS WITH DISABILITIES ACT ACCESSIBILITY GUIDELINES) AND THE ILLINOIS ACCESSIBILITY CODE.	
2.	CIRCUIT NUMBERS ARE SHOWN FOR CIRCUIT IDENTIFICATION. CIRCUITING SHALL AGREE WITH NUMBERING ON THE PANEL PROVIDED. COMMON NEUTRALS MAY NOT BE USED FOR BRANCH CIRCUITS. BALANCE THE LOAD ON PANEL AS EVENLY AS POSSIBLE BETWEEN EACH PHASE.	
3.	CIRCUITS SERVING EMERGENCY AND EXIT LUMINAIRES WILL BE RUN IN SEPARATE RACEWAY FROM ALL OTHER CIRCUITS.	
4.	FLUSH MOUNT ALL LIGHTING CONTROL DEVICES AT +42" FROM FLOOR (CENTERLINE DIMENSION), EXCEPT WHERE OTHERWISE NOTED. LIGHTING CONTROL DEVICES MAY BE SURFACE MOUNTED WHEN CONDUIT IS SPECIFIED EXPOSED.	
5.	FLUSH MOUNT ALL RECEPTACLES AND TELECOMMUNICATION OUTLETS AT +18" FROM FLOOR (CENTERLINE DIMENSION), EXCEPT WHERE OTHERWISE NOTED. RECEPTACLES AND OUTLETS MAY BE SURFACE MOUNTED WHEN CONDUIT IS SPECIFIED EXPOSED.	
6.	MOUNT ALL FIRE ALARM PULL STATIONS AT +42" FROM FLOOR (CENTERLINE DIMENSION) EXCEPT WHERE OTHERWISE NOTED.	
7.	INSTALL ALL WALL MOUNTED FIRE ALARM NOTIFICATION DEVICES AT 30" ABOVE FINISHED FLOOR OR 6" BELOW THE CEILING, WHICHEVER IS LOWER EXCEPT WHERE OTHERWISE NOTED. HEIGHT SHALL BE MEASURED TO THE TOP OF THE DEVICE.	
8.	CONTRACTOR SHALL COORDINATE THE LOCATION OF ALL DETECTORS AND/OR SPEAKERS WITH LUMINAIRES, SPRINKLER, AND CEILING DIFFUSERS. CENTER ALL DEVICES IN CEILING TILE PATTERN. SMOKE DETECTORS SHALL BE LOCATED NO CLOSER THAN 3 FEET TO AN AIR SUPPLY DIFFUSER OR RETURN GRILLE.	
9.	CONTRACTOR SHALL VERIFY ALL FURNITURE, MODULAR FURNITURE AND EQUIPMENT LOCATIONS WITH ARCHITECTURAL PLANS, ELEVATIONS AND REVISIONS SHOWN ON DRAWINGS. PRIOR TO MAKING THE ACTUAL ELECTRICAL INSTALLATION THIS CONTRACTOR SHALL ADJUST RECEPTACLES, OUTLETS OR CONNECTION LOCATIONS TO ACCOMMODATE FURNITURE AND/OR EQUIPMENT.	
10.	ELECTRICAL AND TELECOMMUNICATIONS EQUIPMENT SHALL BE MOUNTED TO AVOID IMPEDANCE OF OPERATION OF AND/OR ACCESS TO ELECTRICAL AND MECHANICAL EQUIPMENT. ALL MOUNTING OF ELECTRICAL AND TELECOMMUNICATIONS EQUIPMENT OR EQUIPMENT SUPPLIED BY ANOTHER CONTRACTOR, SHALL BE APPROVED IN ADVANCE BY THE OTHER CONTRACTOR.	
11.	CONTRACTOR SHALL BE RESPONSIBLE FOR ALL OPENINGS REQUIRED IN WALLS. ALL OPENINGS SHALL BE REPAIRED TO MATCH EXISTING BY A QUALIFIED CONTRACTOR AT THE EXPENSE OF THIS CONTRACTOR. ALL CONDUITS THROUGH WALLS SHALL BE GROUTED OR SEALED INTO OPENINGS.	
12.	ALL WELDING SHALL BE ACCORDING TO AMERICAN WELDING SOCIETY STANDARDS. CONTRACTOR SHALL FURNISH TO THE ARCHITECT/ENGINEER CERTIFICATES QUALIFYING EACH WELDER. PRIOR TO START OF WORK, THE ARCHITECT/ENGINEER RESERVES THE RIGHT TO REQUIRE QUALIFYING DEMONSTRATION AT THE CONTRACTOR'S EXPENSE, OF ANY WELDERS ASSIGNED TO THE JOB.	
13.	CONTRACTOR SHALL REMOVE AND REINSTALL ALL CEILING TILES AS REQUIRED FOR THE EXECUTION OF ELECTRICAL WORK THAT IS OUTSIDE THE CONTRACT LIMITS OF CONSTRUCTION. CONTRACTOR SHALL REPLACE CEILING TILES WITH IDENTICAL MATERIAL WHERE DAMAGED BY THIS CONTRACTOR.	

ELECTRICAL EQUIPMENT TAGS		
TAG:	DESCRIPTION:	RELATED SPECIFICATION:
ATS#	AUTOMATIC TRANSFER SWITCH, REFER TO TRANSFER SWITCH SCHEDULE	26 36 00
CP#	GENERAL PURPOSE CONTACTOR	26 28 21
DP#	DISTRIBUTION PANEL	26 24 16
DS#	DISCONNECT SWITCH, REFER TO DISCONNECT AND STARTER SCHEDULE	26 28 16
FAS#	FIRE ALARM - ANNUNCIATOR	26 31 00
FAP#	FIRE ALARM - CONTROL PANEL	26 31 00
FB#	FLOOR BOX	26 05 33
FDS#	FUSIBLE DISCONNECT SWITCH, REFER TO DISCONNECT AND STARTER SCHEDULE	26 28 16
GAP#	GENERATOR ANNUNCIATOR PANEL	26 32 13
GCP#	GENERATOR CONTROL PANEL	26 32 13
GEN#	GENERATOR	26 32 13
H#	HANDHOLE	26 05 33
HT#	HEAT TAPE	26 05 17
LC#	LIGHTING CONTACTOR, REFER TO CONTACTOR SCHEDULE	26 28 21
MS#	MANUAL STARTER, REFER TO DISCONNECT AND STARTER SCHEDULE	26 14 19
MS#	MANUAL SWITCH, REFER TO DISCONNECT AND STARTER SCHEDULE	26 14 19
SPD#	SURGE PROTECTION DEVICE	26 43 00
TR#	TRANSFORMER - DRY TYPE, REFER TO TRANSFORMER SCHEDULE	26 22 00
VCC#	FIRE ALARM - VOICE COMMAND CENTER	26 31 00
VFD#	VARIABLE FREQUENCY DRIVE - REFER TO VFD SCHEDULE	26 29 23
WW#	WIREWAY	26 05 35

ELECTRICAL SYMBOL LIST	
SYMBOL:	DESCRIPTION:
	NORMAL BRANCH LUMINAIRE
	EMERGENCY BRANCH LUMINAIRE
	LIFE SAFETY BRANCH LUMINAIRE

ELECTRICAL SYMBOL LIST			
SYMBOL:	TAG:	SPEC SECTION:	DESCRIPTION:
	FAP#	26 31 00	FIRE ALARM CONTROL PANEL
	FA-120	26 31 00	FIRE ALARM SMOKE DETECTOR - CEILING MOUNTED
	FA-122	26 31 00	FIRE ALARM DUCT SMOKE DETECTOR
	FA-130	26 31 00	FIRE ALARM MANUAL PULL STATION
	FA-140	26 31 00	FIRE ALARM HEAT DETECTOR
	FA-160	26 31 00	FIRE ALARM ADDRESSABLE MONITOR MODULE
	FA-161	26 31 00	FIRE ALARM ADDRESSABLE RELAY
	FA-200	26 31 00	FIRE ALARM VISUAL NOTIFICATION DEVICE - WALL MOUNTED
	FA-201	26 31 00	FIRE ALARM VISUAL NOTIFICATION DEVICE - CEILING MOUNTED
	FA-201	26 31 00	FIRE ALARM VISUAL NOTIFICATION DEVICE - CEILING MOUNTED
	FA-210	26 31 00	FIRE ALARM AUDIO NOTIFICATION DEVICE - WALL MOUNTED
	FA-211	26 31 00	FIRE ALARM AUDIO/VISUAL NOTIFICATION DEVICE - WALL MOUNTED
	FA-212	26 31 00	FIRE ALARM AUDIO/VISUAL NOTIFICATION DEVICE - WALL MOUNTED - WEATHERPROOF
	FA-230	26 31 00	FIRE ALARM AUDIO NOTIFICATION DEVICE - CEILING MOUNTED
	FA-231	26 31 00	FIRE ALARM AUDIO/VISUAL NOTIFICATION DEVICE - CEILING MOUNTED
	FA-241	26 31 00	FIRE ALARM REMOTE INDICATOR
	FA-250	26 31 00	FIRE ALARM SMOKE DAMPER - WALL MOUNTED
	FA-251	26 31 00	SMOKE OR FIRE DAMPER CONTROLLER
	FA-260	26 31 00	FIRE ALARM FLOW SWITCH TO MONITOR FIRE PROTECTION SYSTEM
	FA-261	26 31 00	FIRE ALARM MONITOR SWITCH TO MONITOR FIRE PROTECTION SYSTEM
	FA-263	26 31 00	FIRE ALARM ELECTRONIC BELL FOR SPRINKLER SYSTEM
	PP	ARCH	PUSH PAD
	ES	26 09 18	EMERGENCY STOP, N.C. CONTACT
	EPO	26 09 18	EMERGENCY STOP, N.O. CONTACT

ELECTRICAL ABBREVIATIONS	
ABBREVIATION:	DESCRIPTION:
E.C.	ELECTRICAL CONTRACTOR
F.P.C.	FIRE PROTECTION CONTRACTOR
G.C.	GENERAL CONTRACTOR
H.C.	HEATING CONTRACTOR
M.C.	MECHANICAL CONTRACTOR
P.C.	PLUMBING CONTRACTOR
T.C.C.	TEMPERATURE CONTROLS CONTRACTOR
T.C.	TELECOMMUNICATIONS CONTRACTOR
V.C.	VENTILATION CONTRACTOR
AFF	ABOVE FINISHED FLOOR
BAS	BUILDING AUTOMATION SYSTEM
CTs	CURRENT TRANSFORMERS
N.C.	NORMALLY CLOSED
N.I.C.	NOT IN CONTRACT
N.O.	NORMALLY OPEN
NC	NEW CONNECTION
SV	SOLENOID VALVE
#"	MOUNTING HEIGHT FROM FINISHED FLOOR TO CENTERLINE

ELECTRICAL SHEET INDEX	
E0.00	ELECTRICAL COVER SHEET
E0.01	ELECTRICAL SITE PLAN - CENTRAL UTILITY
E0.02	SITE LIGHTING ELECTRICAL
E0.03	SITE LIGHTING PHOTOMETRIC
E1.11	LEVEL 1 PLAN - WEST - LIGHTING
E1.12	LEVEL 1 PLAN - EAST - LIGHTING
E1.21	LEVEL 2 PLAN - WEST - LIGHTING
E1.22	LEVEL 2 PLAN - EAST - LIGHTING
E2.11	LEVEL 1 PLAN - WEST - POWER
E2.12	LEVEL 1 PLAN - EAST - POWER
E2.21	LEVEL 2 PLAN - WEST - POWER
E2.22	LEVEL 2 PLAN - EAST - POWER
E2.30	OVERALL ROOF PLAN - ELECTRICAL
E3.11	LEVEL 1 PLAN - WEST - SYSTEMS
E3.12	LEVEL 1 PLAN - EAST - SYSTEMS
E3.21	LEVEL 2 PLAN - WEST - SYSTEMS
E3.22	LEVEL 2 PLAN - EAST - SYSTEMS
E4.00	ELECTRICAL DETAILS
E4.01	ELECTRICAL DETAILS
E4.02	ELECTRICAL DETAILS
E4.03	ELECTRICAL DETAILS
E4.04	ELECTRICAL DETAILS
E4.05	ELECTRICAL DETAILS
E4.06	ELECTRICAL DETAILS
E4.10	ELECTRICAL ENLARGED PLANS
E5.00	ELECTRICAL SCHEDULES
E5.01	ELECTRICAL SCHEDULES
E5.02	ELECTRICAL SCHEDULES
E5.10	ELECTRICAL PANEL SCHEDULES
E5.11	ELECTRICAL PANEL SCHEDULES
E5.12	ELECTRICAL PANEL SCHEDULES
E6.00	ELECTRICAL ONE LINE DIAGRAM-NORMAL
E6.01	ELECTRICAL ONE LINE DIAGRAM-EMERGENCY

ELECTRICAL GENERAL NOTES	
1.	"1/4"00" INDICATES DETAIL NUMBER/SHEET NUMBER.
2.	DS-30 INDICATES ELECTRICAL EQUIPMENT DEFINED IN ELECTRICAL SCHEDULES OR SPECIFICATION. REFER TO DRAWINGS CONTAINING ELECTRICAL SCHEDULES. PERMANENT NAMEPLATE SHALL MATCH FINAL EQUIPMENT NOMENCLATURE, NOT ELECTRICAL EQUIPMENT TAG NAME. REFER TO SPECIFICATIONS.
3.	# INDICATES KEYED NOTE USED TO DESCRIBE ADDITIONAL INFORMATION OF WORK REQUIRED, SPECIFIC TO THE SHEET AND/OR DETAIL IT IS SHOWN WITH.
4.	"NL" INDICATES LUMINAIRE IS CONNECTED TO A LIFE SAFETY BRANCH CIRCUIT AND IS UNSWITCHED FOR NIGHT LIGHT OPERATION.
5.	"SE" INDICATES LUMINAIRE IS SWITCHED DURING NORMAL OPERATION. UPON LOSS OF POWER A LOCAL TRANSFER DEVICE SWITCHES THE LUMINAIRE POWER SOURCE TO AN EMERGENCY BRANCH CIRCUIT. REFER TO 4EA-03 FOR GENERATOR TRANSFER DEVICE WIRING DIAGRAM.
6.	SHADED LUMINAIRE OR DEVICE INDICATES LUMINAIRE OR DEVICE IS CONNECTED TO AN EMERGENCY CIRCUIT.
7.	LUMINAIRE KEY: F1 = FIXTURE TAG 1 = CIRCUIT NUMBER a = SWITCH NUMBER LUMINAIRE NL = SUBSCRIPT (IF APPLICABLE) *F LABEL IS ORIENTED HORIZONTALLY A / WILL SEPARATE THIS INFORMATION. EX: F1 / 1 / A / NL
8.	DEVICE KEY: A = MOUNTING (IF APPLICABLE) 1 = CIRCUIT NUMBER *F LABEL IS ORIENTED HORIZONTALLY A / WILL SEPARATE THIS INFORMATION. EX: A / 1
9.	MOUNTING SUBSCRIPT KEY: RECEPTACLES AND TELECOMMUNICATIONS OUTLETS: A MOUNT ABOVE COUNTER (+6" TO CENTERLINE ABOVE COUNTER OR BACKSPLASH) L MOUNT WITHIN LAB MILLWORK, COVER PLATE SHALL BE BLACK. H MOUNT DEVICE IN A HORIZONTAL ORIENTATION TV COORDINATE EXACT LOCATION WITH ARCHITECTURAL DRAWINGS. S COVER PLATE SHALL BE STAINLESS STEEL. B COVER PLATE SHALL BE BLACK. C CEILING MOUNTED
10.	A SLASH IS USED BETWEEN TWO SUBSCRIPTS IN: AH REFER TO SPECIFICATIONS FOR FULL DESCRIPTIONS AND MANUFACTURERS OF ALL DEVICES.
11.	LINE TYPE KEY: NEW WORK BY THIS CONTRACTOR (DARK SOLID LINE) NEW WORK UNDER FLOOR OR UNDERGROUND BY THIS CONTRACTOR (DARK LONG DASHED LINE) NEW WORK BY OTHERS AND/OR EXISTING TO REMAIN (LIGHT SOLID LINE) EXISTING TO BE REMOVED BY THIS CONTRACTOR (DARK SHORT DASHED LINE)

FIRE BARRIER DESIGNATIONS	
THE SYMBOLS SHOWN ARE FOR THE CONVENIENCE OF THE CONTRACTOR. THE CONTRACTOR SHALL VERIFY RATINGS WITH THE LATEST SET OF ARCHITECTURAL PLANS AND FURNISH ALL MATERIALS REQUIRED TO COMPLY WITH THOSE RATINGS WHETHER SHOWN OR NOT.	
ALL FLOOR, FLOOR CEILING, AND ROOF CEILING ASSEMBLIES SHALL BE DESIGNATED AS 1 HOUR FIRE BARRIERS, UNLESS NOTED OTHERWISE ON THE PLANS. RATINGS WERE ACQUIRED FROM THE ARCHITECTURAL PLANS DATED 09/12/2015.	
1 HOUR FIRE BARRIER	

ELECTRICAL SYMBOL LIST			
SYMBOL:	TAG:	SPEC SECTION:	DESCRIPTION:
	SW-1P	26 27 26	SWITCH - SINGLE POLE
	SW-1P-ADJ	26 27 26	SWITCH - LOCAL TIMER - USER ADJUSTABLE
	SW-1P-K	26 27 26	SWITCH - SINGLE POLE - KEY LOCK
	SW-1P-M	26 27 26	SWITCH - MOMENTARY CONTACT
	SW-1P-PL	26 27 26	SWITCH - PILOT LIGHT
	SW-3W	26 27 26	SWITCH - THREE WAY
	SW-LS	26 27 26 / 26 09 33	DAYLIGHT LEVEL SENSOR
	SW-LS-LV	26 27 26	DAYLIGHT CONTROLLER - LINE VOLTAGE
	SW-LS-PC	26 27 26 / 26 09 33	PHOTOCELL
	SW-OC-D	26 27 26	OCCUPANCY SENSOR - DUAL TECHNOLOGY
	SW-VS-D	26 27 26	VACANCY SENSOR - DUAL TECHNOLOGY
	SW-OC-P-0	26 27 26	SWITCH - OCCUPANCY SENSOR WALL SWITCH
	SW-VS-P-0	26 27 26	SWITCH - VACANCY SENSOR WALL SWITCH
	SW-CS-1B	26 27 26	CONTROL STATION (LMSW-101)
	SW-CS-2B	26 27 26	CONTROL STATION (LMSW-102)
	SW-CS-D	26 27 26	DIMMER CONTROL STATION (LMDM-101)
	SW-CS-D-SB	26 27 26	DIMMER CONTROL STATION (LMDM-105)
	F#	26 51 00	LINEAR LUMINAIRES
	F#	26 51 00	TROFFER
	F#	26 51 00	DOWNLIGHT LUMINAIRE
	F#	26 51 00	WALL SCONCE LUMINAIRE
	F#	26 51 00	DOWNLIGHT LUMINAIRE
	F#	26 51 00	AIMABLE OR WALL WASH LUMINAIRE
	S#	26 51 00	POLE MOUNTED LUMINAIRE
	X#/#	26 51 00	SINGLE FACE EXIT/AREA OF RESCUE ASSISTANCE SIGN
	X#	26 51 00	DOUBLE FACE EXIT SIGN
	SW-GTD	26 27 26	EMERGENCY TRANSFER DEVICE

SUGGESTED MATRIX OF SCOPE RESPONSIBILITY				
ITEM:	SHOWN ON:	FURNISHED BY:	INSTALLED BY:	NOTES:
TECHNOLOGY ROUGH-IN, REFER TO GENERAL TECHNOLOGY EQUIPMENT SCHEDULE AND SPECIFICATIONS FOR DEFINITION	T-SERIES	E.C.	E.C.	3, 4.
FIRE PROTECTION CONTRACTOR INFORMATION OUTLET FACEPLATES, JACKS, AND TERMINATIONS	T-SERIES	T.C.	T.C.	
CONDUIT SLEEVES (WHEN SHOWN ON DRAWINGS)	T-SERIES	E.C.	E.C.	
CONDUIT SLEEVES (NOT SHOWN BUT REQUIRED FOR PROPER INSTALLATION OF SYSTEM)	N/A	T.C.	T.C.	2, 4.
TELECOMMUNICATION SYSTEMS ROUGH-IN	T-SERIES	T.C.	E.C.	1.
TELECOMMUNICATION EQUIPMENT, CABLING, AND TERMINATIONS	T-SERIES	T.C.	E.C.	
CABLE TRAY (INCLUDING WIRE BASKET TRAY) REFER TO SPECIFICATION SECTION 27 05 28 FOR DEFINITION	T-SERIES	E.C.	E.C.	
LADDER RACK	T-SERIES	T.C.	T.C.	5.
GROUNDING LUGS ON TECHNOLOGY EQUIPMENT	T-SERIES	T.C.	E.C.	6.
BONDING SYSTEM FOR TECHNOLOGY SYSTEM, REFER TO SPECIFICATION SECTION 27 05 26 FOR DEFINITION	T-SERIES	E.C.	E.C.	7, 8.
CONNECTION OF TECHNOLOGY BONDING SYSTEM TO THE ELECTRICAL GROUND SYSTEM	T-SERIES	E.C.	E.C.	
LINE VOLTAGE POWER (+120V OR GREATER)	E-SERIES	E.C.	E.C.	
LINE VOLTAGE POWER (NOT SHOWN BUT REQUIRED FOR PROPER INSTALLATION OF SYSTEM)	N/A	T.C.	E.C.	2, 4.
LINE VOLTAGE POWER FOR DOOR HARDWARE POWER SUPPLIES	ARCH SPEC	E.C.	E.C.	
LOW VOLTAGE CABLING FOR TECHNOLOGY SYSTEMS	T-SERIES	T.C.	T.C.	
CABLE HANGERS AND SUPPORTS OR OTHER CABLE ROUTING METHODS (OTHER THAN CONDUIT AND CABLE TRAY)	T-SERIES	T.C.	T.C.	5.
TECHNOLOGY SERVICE ENTRANCE CONDUITS, HANDHOLES, AND MANHOLES	E-SERIES	E.C.	E.C.	
FLOOR BOX (ROUGH-IN)	T & E-SERIES	E.C.	E.C.	

SUGGESTED MATRIX OF SCOPE RESPONSIBILITY NOTES	
1.	LOCATIONS OF TELECOMMUNICATIONS ROUGH-INS SHALL BE INDICATED BY THE INFORMATION OUTLET SYMBOLS ON THE CONTRACT DOCUMENTS. REFER TO THE TECHNOLOGY SYMBOL LIST FOR ADDITIONAL INFORMATION.
2.	BASED ON THE INHERENT DIFFERENCES IN PRODUCTS FROM VARIOUS MANUFACTURERS, ALL REQUIRED EQUIPMENT MAY NOT BE SHOWN ON THE DRAWINGS FOR ALL ACCEPTABLE MANUFACTURERS.
3.	INCLUDES BACKBOXES AND CONDUIT REQUIRED FOR THE TECHNOLOGY SYSTEMS INSTALLATION. THE E.C. SHALL BASE THE BID ON THE BASIS OF DESIGN SHOWN ON THE CONTRACT DOCUMENTS.
4.	ALL CHANGES TO THE SLEEVES, BACKBOXES, CONDUITS, AND POWER REQUIRED BECAUSE OF THE T.C.'S SELECTION OF AN ALTERNATE ACCEPTABLE MANUFACTURER (OR FROM SYSTEM CONFIGURATIONS THAT ARE LEFT TO THE CHOICE OF THE CONTRACTOR) SHALL BE INCLUDED IN THE T.C.'S BID. THIS BID SHALL INCLUDE INSTALLATION BY A LICENSED ELECTRICIAN.
5.	UNLESS TRADE RULES DICTATE OTHERWISE.
6.	FURNISHED AS PART OF THE EQUIPMENT WHEN POSSIBLE, OR FURNISHED TO THE E.C. FOR INSTALLATION IN THE FIELD.
7.	INCLUDES ALL CONDUCTORS, GROUND BARS, AND TERMINATIONS FOR THE COMPLETE BONDING SYSTEM REQUIRED BY THE SPECIFICATIONS.
8.	REFER TO ELECTRICAL DRAWINGS FOR LOCATIONS OF PANELS AND SWITCHBOARDS SHOWN IN THE TECHNOLOGY BONDING RISER DIAGRAM AND TYPICAL TELECOM ROOM BONDING FLOW DIAGRAM.

ELECTRICAL SYMBOL LIST			
SYMBOL:	TAG:	SPEC SECTION:	DESCRIPTION:
	IBT	26 05 26	INTERSYSTEM BONDING TERMINATION
	ECONN	26 05 33	ELECTRICAL CONNECTION
	JB	26 05 33	JUNCTION BOX
	FB-1	26 05 33	FLOOR BOX - DUPLEX RECEPTACLE
	FB-2	26 05 33	FLOOR BOX - DUAL COMPARTMENT
	FB-3	26 05 33	FLOOR BOX - POKE THRU, 125V
	HH#	26 05 33	HAND HOLE
	WW#	26 05 35	ELECTRICAL WIREWAY w/ DEVICES SHOWN
	DPM	26 09 13	DIGITAL POWER METER
	KWM	26 09 13	METER
	ST	26 09 16	SHUNT TRIP
	PANEL '###'	26 24 16	PANELBOARD - SURFACE MOUNT
	MX#MS-#FCS#	26 24 19	MANUAL SWITCH / STARTER / COMBINATION STARTER
	DS#	26 28 16	DISCONNECT
	TR#	26 22 00	TRANSFORMER
	REC-DUP	26 27 26	DUPLEX RECEPTACLE, 125V
	REC-DUP-GFI	26 27 26	DUPLEX GFI RECEPTACLE, 125V
	REC-DUP-WP	26 27 26	DUPLEX GFI WEATHERPROOF RECEPTACLE, 125V
	REC-USB	26 27 26	DUPLEX RECEPTACLE, TAMPERPROOF, USB CHARGING
	REC-SIM-615R	26 27 26	RECEPTACLE, 6-15R, 250V
	REC-SIM-630R	26 27 26	RECEPTACLE, 6-30R, 250V
	REC-SIM-520R	26 27 26	RECEPTACLE, 5-15R, 125V
	REC-SIM-L530R	26 27 26	RECEPTACLE, LOCKING TYPE, L5-30R, 125V
	REC-SIM-L630R	26 27 26	RECEPTACLE, LOCKING L6-30R, 250V
	REC-TAMP	26 27 26	DUPLEX RECEPTACLE, TAMPERPROOF, 125V
	REC-QUAD	26 27 26	QUAD RECEPTACLE, 125V
	REC-QUAD-GFI	26 27 26	QUAD GFI RECEPTACLE, 125V
	REC-		

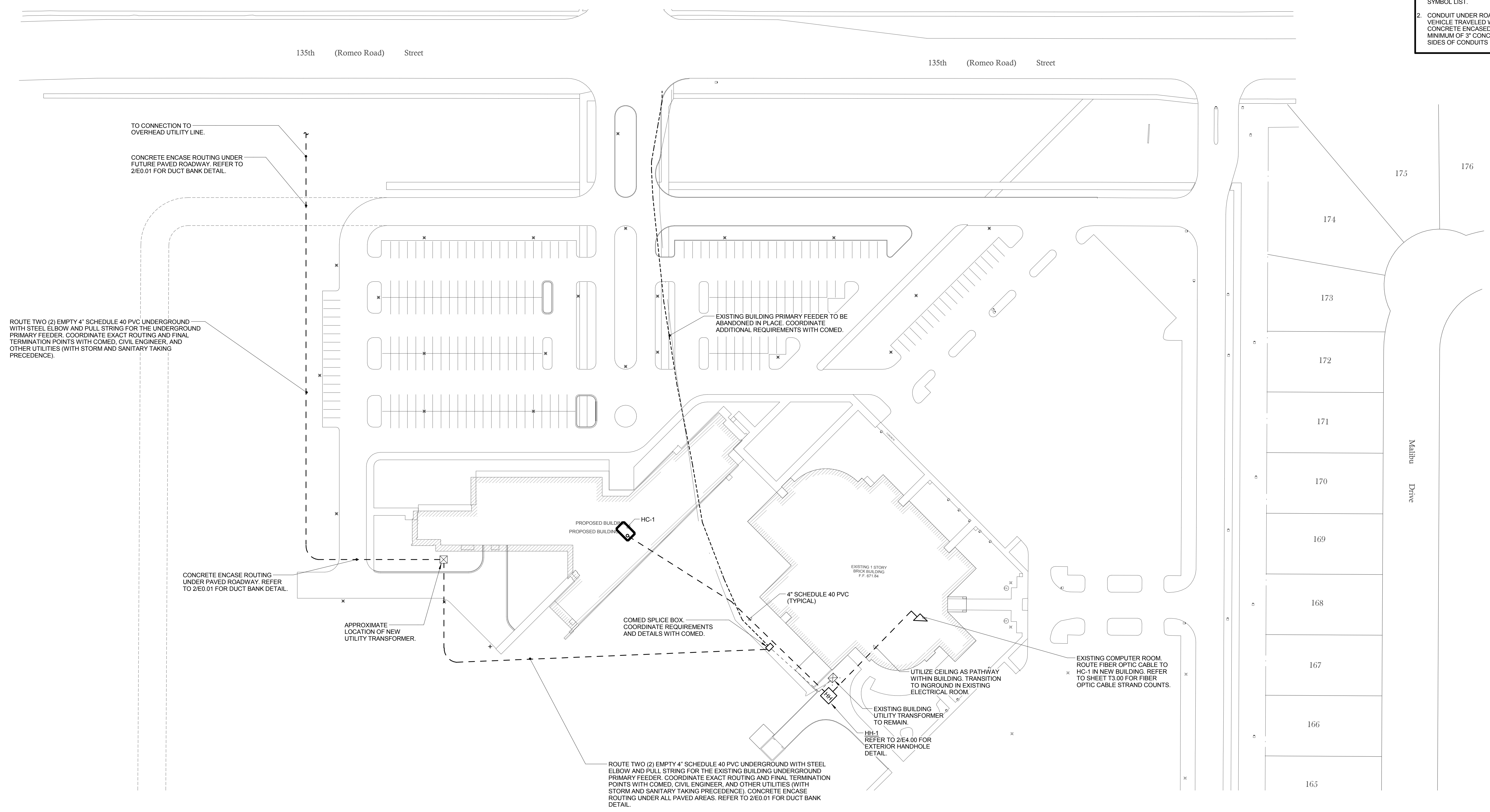


ARCHITECT OF RECORD
DEMONICA KEMPER ARCHITECTS
 125 N. HALSTED STREET, SUITE 301
 CHICAGO, IL 60661
 P: 312.496.0000

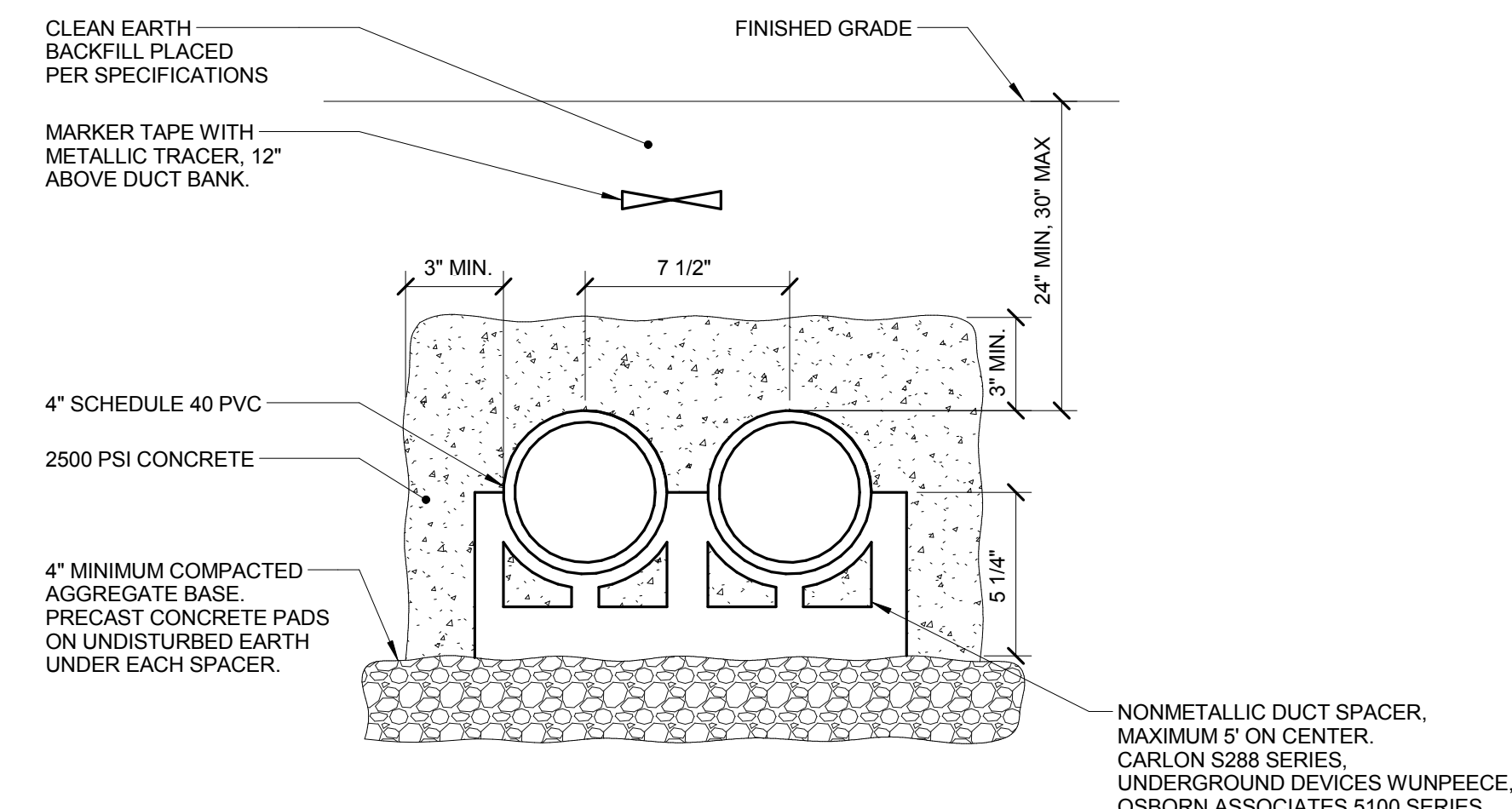
STRUCTURAL AND MEP/FP ENGINEERING
KJWW ENGINEERING CONSULTANTS
 1100 WARRENVILLE RD., SUITE 400W
 NAPERVILLE, IL 60563
 P: 630.527.2320

FOOD SERVICE CONSULTANT
CINI LITTLE INTERNATIONAL, INC.
 200 E. HOWARD AVE., SUITE 212
 DES PLAINES, IL 60018
 P: 847.298.0088

- GENERAL SHEET NOTES**
- REFER TO SHEET E0.00 FOR GENERAL ELECTRICAL NOTES, ELECTRICAL INSTALLATION NOTES AND ELECTRICAL SYMBOL LIST.
 - CONDUIT UNDER ROADS, DRIVES, AND VEHICLE TRAVELED WAYS SHALL BE CONCRETE ENCASED PVC WITH A MINIMUM OF 3" CONCRETE COVER ON ALL SIDES OF CONDUITS



1 ELECTRICAL SITE PLAN - CENTRAL UTILITY
 1" = 50'-0"



2 DUCT BANK DETAIL (1x2)

- NO SCALE
 NOTES:
 1. INSTALL 2000 LB TENSILE STRENGTH BRAIDED POLYPROPYLENE PULL CORD IN ALL CONDUITS.
 2. TRENCHING AND BACKFILL ACCORDING TO SPECIFICATIONS.

KJWW ENGINEERING CONSULTANTS
 1100 WARRENVILLE ROAD, SUITE 400W
 NAPERVILLE, ILLINOIS 60563
 630.527.2320 FAX: 630.627.2321
 WWW.KJWW.COM

WJW ENGINEERING
 1100 WARRENVILLE ROAD, SUITE 400W
 NAPERVILLE, ILLINOIS 60563
 630.527.2320 FAX: 630.627.2321
 WWW.WJW.COM

Block Design Firm Registration #184-08973
 PROJECT # 14.0443.00

KJWW ENGINEERING RESERVES PROPRIETARY RIGHTS, INCLUDING COPYRIGHTS, TO THIS DRAWING AND THE DATA SHOWN THEREON. SUCH DRAWING AND/OR DATA ARE THE EXCLUSIVE PROPERTY OF KJWW ENGINEERING AND SHALL NOT BE USED OR REPRODUCED FOR ANY OTHER PROJECT WITHOUT THE EXPRESS WRITTEN APPROVAL AND PARTICIPATION OF KJWW ENGINEERING. © 2015 KJWW, P.C.

REFERENCE SCALE IN INCHES
 0 1 2 3

**JOLIET JUNIOR COLLEGE
 ROMEOVILLE CAMPUS EXPANSION**
 1125 135th ST. ROMEOVILLE, IL 60446
 DKA PROJECT NO: 14-005

KEY PLAN:

SHEET STATUS: 9/21/15
ISSUED FOR CONSTRUCTION

NO.	DESCRIPTION:	DATE:

SHEET TITLE:
ELECTRICAL SITE PLAN - CENTRAL UTILITY

SHEET NUMBER:

E0.01



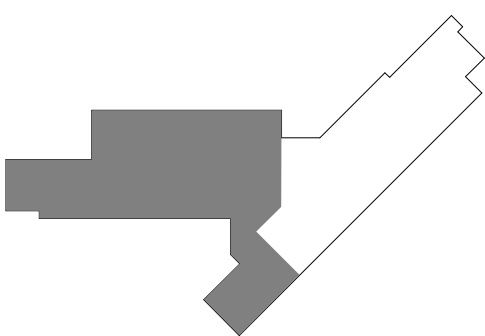
ARCHITECT OF RECORD
DEMIONA KEMPER ARCHITECTS
 125 N. HALSTED STREET, SUITE 301
 CHICAGO, IL 60661
 P: 312.496.0000

STRUCTURAL AND MEP/FP ENGINEERING
KJWW ENGINEERING CONSULTANTS
 1100 WARRENVILLE RD., SUITE 400W
 NAPERVILLE, IL 60563
 P: 630.527.2320

FOOD SERVICE CONSULTANT
CINI LITTLE INTERNATIONAL, INC.
 200 E. HOWARD AVE., SUITE 212
 DES PLAINES, IL 60018
 P: 847.298.0088

JOLIET JUNIOR COLLEGE
ROMEORVILLE CAMPUS EXPANSION
 1125 135th ST. ROMEORVILLE, IL 60446
 DKA PROJECT NO: 14-005

KEY PLAN:



SHEET STATUS: 9/21/15
ISSUED FOR CONSTRUCTION

NO.	DESCRIPTION:	DATE:

SHEET TITLE:
LEVEL 1 PLAN - WEST - LIGHTING

SHEET NUMBER:
E1.11

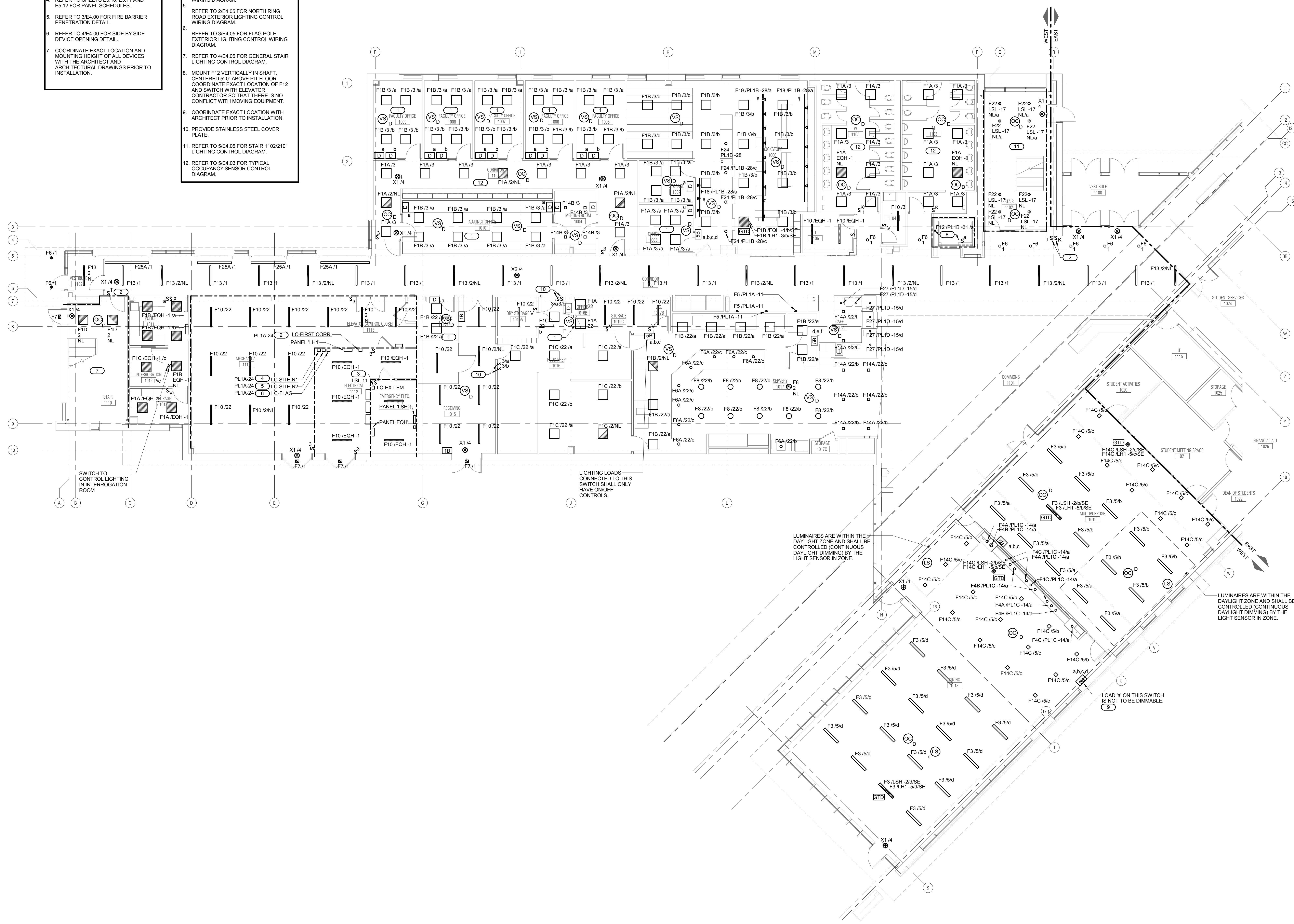
GENERAL SHEET NOTES

- REFER TO SHEET E0.00 FOR ELECTRICAL GENERAL NOTES, ELECTRICAL INSTALLATION NOTES AND ELECTRICAL SYMBOL LIST.
- REFER TO SHEET E5.00 FOR LUMINAIRE SCHEDULE.
- REFER TO 1/E4.04 FOR GENERAL OCCUPANCY/VACANCY SENSOR LIGHTING CONTROL DIAGRAM.
- REFER TO SHEETS E5.10, E5.11 AND E5.12 FOR PANEL SCHEDULES.
- REFER TO 3/E4.00 FOR FIRE BARRIER PENETRATION DETAIL.
- REFER TO 4/E4.00 FOR SIDE BY SIDE DEVICE OPENING DETAIL.
- COORDINATE EXACT LOCATION AND MOUNTING HEIGHT OF ALL DEVICES WITH THE ARCHITECT AND ARCHITECTURAL DRAWINGS PRIOR TO INSTALLATION.

KEYNOTES

- REFER TO 1/E4.03 FOR OFFICE/OPEN OFFICE LIGHTING CONTROL DIAGRAM.
- REFER TO 2/E4.04 FOR FIRST FLOOR CORRIDOR LIGHTING CONTROL DIAGRAM.
- REFER TO 5/E4.03 FOR EXTERIOR LIFE SAFETY LIGHTING CONTROL DIAGRAM.
- REFER TO 1/E4.05 FOR NORTH PARKING LOT EXTERIOR LIGHTING CONTROL WIRING DIAGRAM.
- REFER TO 2/E4.05 FOR NORTH RING ROAD EXTERIOR LIGHTING CONTROL WIRING DIAGRAM.
- REFER TO 3/E4.05 FOR FLAG POLE EXTERIOR LIGHTING CONTROL WIRING DIAGRAM.
- REFER TO 4/E4.05 FOR GENERAL STAIR LIGHTING CONTROL DIAGRAM.
- MOUNT F12 VERTICALLY IN SHAFT, CENTERED 5'-0" ABOVE PIT FLOOR. COORDINATE EXACT LOCATION OF F12 AND SWITCH WITH ELEVATOR CONTRACTOR SO THAT THERE IS NO CONFLICT WITH MOVING EQUIPMENT.
- COORDINATE EXACT LOCATION WITH ARCHITECT PRIOR TO INSTALLATION.
- PROVIDE STAINLESS STEEL COVER PLATE.
- REFER TO 5/E4.05 FOR STAIR 1102/2101 LIGHTING CONTROL DIAGRAM.
- REFER TO 5/E4.03 FOR TYPICAL OCCUPANCY SENSOR CONTROL DIAGRAM.

ALL NORMAL LIGHTING WITHIN THIS AREA SHALL BE CIRCUITED TO PANEL 'LH1', UNLESS NOTED OTHERWISE.
 ALL LIFE SAFETY LIGHTING WITHIN THIS AREA SHALL BE CIRCUITED TO PANEL 'LSH', UNLESS NOTED OTHERWISE.



LEVEL 1 PLAN - WEST - LIGHTING
 1/8" = 1'-0"

KJWW ENGINEERING CONSULTANTS
 1100 WARRENVILLE ROAD, SUITE 400W
 NAPERVILLE, IL 60563
 630.527.2320 FAX: 630.527.2321
 WWW.KJWW.COM

THE SMARTER
 DESIGN FIRM REGISTRATION #14-000773
 PROJECT # 14-003.00

KJWW ENGINEERING RESERVES PROPRIETARY RIGHTS, INCLUDING COPYRIGHTS, TO THIS DRAWING AND THE DATA SHOWN THEREON. SUCH DRAWING AND/OR DATA ARE THE EXCLUSIVE PROPERTY OF KJWW ENGINEERING AND SHALL NOT BE USED OR REPRODUCED FOR ANY OTHER PROJECT WITHOUT THE EXPRESS WRITTEN APPROVAL AND PARTICIPATION OF KJWW ENGINEERING. © 2015 KJWW, P.C.

REFERENCE SCALE IN INCHES
 0 1 2 3



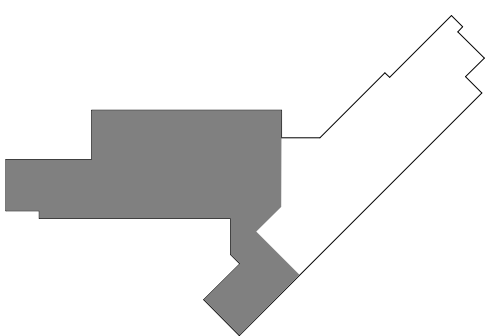
ARCHITECT OF RECORD
DEMONICA KEMPER ARCHITECTS
 125 N. HALSTED STREET, SUITE 301
 CHICAGO, IL 60661
 P: 312.496.0000

STRUCTURAL AND MEP/FP ENGINEERING
KJWW ENGINEERING CONSULTANTS
 1100 WARRENVILLE RD., SUITE 400W
 NAPERVILLE, IL 60563
 P: 630.527.2320

FOOD SERVICE CONSULTANT
CINI LITTLE INTERNATIONAL, INC.
 200 E. HOWARD AVE., SUITE 212
 DES PLAINES, IL 60018
 P: 847.298.0088

**JOLIET JUNIOR COLLEGE
 ROMEOVILLE CAMPUS EXPANSION**
 1125 135th ST. ROMEOVILLE, IL 60446
 DKA PROJECT NO: 14-005

KEY PLAN:



SHEET STATUS: 9/21/15
**ISSUED FOR
 CONSTRUCTION**

NO.	DESCRIPTION:	DATE:

SHEET TITLE:
**LEVEL 2 PLAN - WEST
 - LIGHTING**

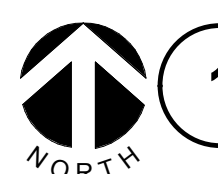
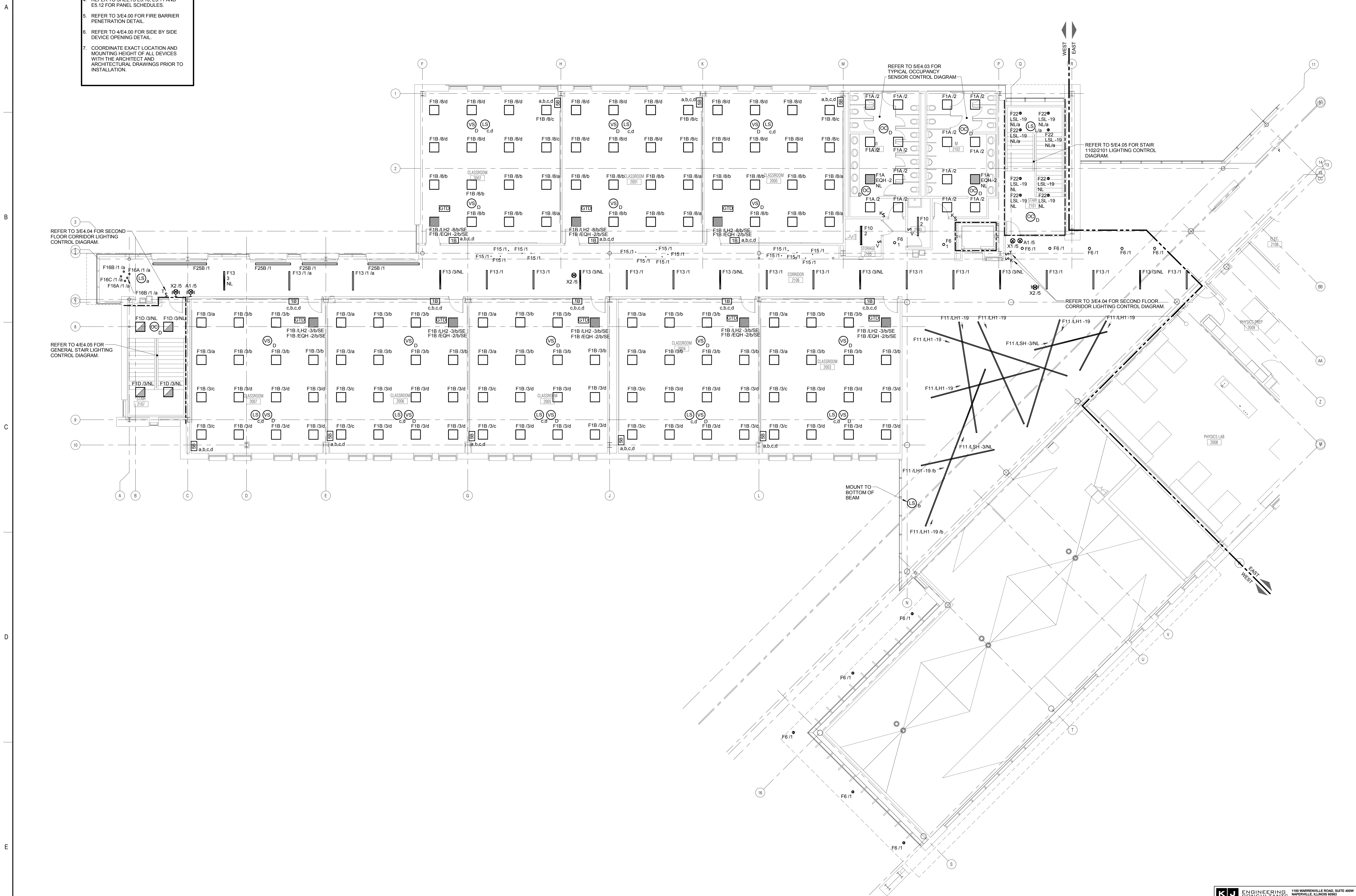
SHEET NUMBER:

E1.21

GENERAL SHEET NOTES

- REFER TO SHEET E0.00 FOR ELECTRICAL GENERAL NOTES, ELECTRICAL INSTALLATION NOTES AND ELECTRICAL SYMBOL LIST.
- REFER TO SHEET E5.00 FOR LUMINAIRE SCHEDULE.
- REFER TO 1/E4.04 FOR GENERAL OCCUPANCY/VACANCY SENSOR LIGHTING CONTROL DIAGRAM.
- REFER TO SHEETS E5.10, E5.11 AND E5.12 FOR PANEL SCHEDULES.
- REFER TO 3/E4.00 FOR FIRE BARRIER PENETRATION DETAIL.
- REFER TO 4/E4.00 FOR SIDE BY SIDE DEVICE OPENING DETAIL.
- COORDINATE EXACT LOCATION AND MOUNTING HEIGHT OF ALL DEVICES WITH THE ARCHITECT AND ARCHITECTURAL DRAWINGS PRIOR TO INSTALLATION.

ALL NORMAL LIGHTING WITHIN THIS AREA SHALL BE CIRCUITED TO PANEL 'LH2', UNLESS NOTED OTHERWISE.
 ALL LIFE SAFETY LIGHTING WITHIN THIS AREA SHALL BE CIRCUITED TO PANEL 'LSH', UNLESS NOTED OTHERWISE.



LEVEL 2 PLAN - WEST - LIGHTING

1/8" = 1'-0"

KJWW ENGINEERING CONSULTANTS
 1100 WARRENVILLE ROAD, SUITE 400W
 NAPERVILLE, ILLINOIS 60563
 630.527.2320 FAX: 630.527.2321
 WWW.KJWW.COM

KJWW ENGINEERING CONSULTANTS
 1100 WARRENVILLE ROAD, SUITE 400W
 NAPERVILLE, ILLINOIS 60563
 630.527.2320 FAX: 630.527.2321
 WWW.KJWW.COM

PROJECT # 14-005-00
 DESIGN FIRM REGISTRATION #14-005-00

KJWW ENGINEERING RESERVES PROPRIETARY RIGHTS, INCLUDING COPYRIGHTS, TO THIS DRAWING AND THE DATA SHOWN THEREON. SAID DRAWING AND/OR DATA ARE THE EXCLUSIVE PROPERTY OF KJWW ENGINEERING AND SHALL NOT BE USED OR REPRODUCED FOR ANY OTHER PROJECT WITHOUT THE EXPRESS WRITTEN APPROVAL AND PARTICIPATION OF KJWW ENGINEERING. © 2015 KJWW, P.C.

REFERENCE SCALE IN INCHES
 0 1 2 3



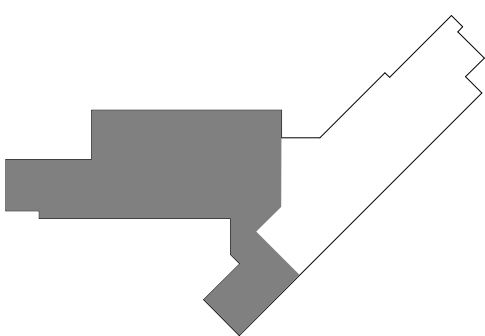
ARCHITECT OF RECORD
DEMONICA KEMPER ARCHITECTS
 125 N. HALSTED STREET, SUITE 301
 CHICAGO, IL 60661
 P: 312.496.0000

STRUCTURAL AND MEP/FP ENGINEERING
KJWW ENGINEERING CONSULTANTS
 1100 WARRENVILLE RD., SUITE 400W
 NAPERVILLE, IL 60563
 P: 630.227.2320

FOOD SERVICE CONSULTANT
CINI LITTLE INTERNATIONAL, INC.
 200 E. HOWARD AVE., SUITE 212
 DES PLAINES, IL 60018
 P: 847.238.0088

**JOLIET JUNIOR COLLEGE
 ROMEOVILLE CAMPUS EXPANSION**
 1125 135th ST. ROMEOVILLE, IL 60446
 DKA PROJECT NO: 14-005

KEY PLAN:



SHEET STATUS: 9/21/15
**ISSUED FOR
 CONSTRUCTION**

NO.	DESCRIPTION:	DATE:

SHEET TITLE:
**LEVEL 1 PLAN - WEST
 - POWER**

SHEET NUMBER:
E2.11

KJWW ENGINEERING CONSULTANTS
 1100 WARRENVILLE ROAD, SUITE 400W
 NAPERVILLE, ILLINOIS 60563
 630.227.2320 FAX: 630.627.2321
 WWW.KJWW.COM
 PROJECT # 14-005.00
 DESIGN FIRM REGISTRATION #14-005-0073

KJWW ENGINEERING RESERVES PROPRIETARY RIGHTS, INCLUDING COPYRIGHTS, TO THIS DRAWING AND THE DATA SHOWN THEREON. SUCH DRAWING AND/OR DATA ARE THE EXCLUSIVE PROPERTY OF KJWW ENGINEERING AND SHALL NOT BE USED OR REPRODUCED FOR ANY OTHER PROJECT WITHOUT THE EXPRESS WRITTEN APPROVAL AND PARTICIPATION OF KJWW ENGINEERING. © 2015 KJWW, P.C.

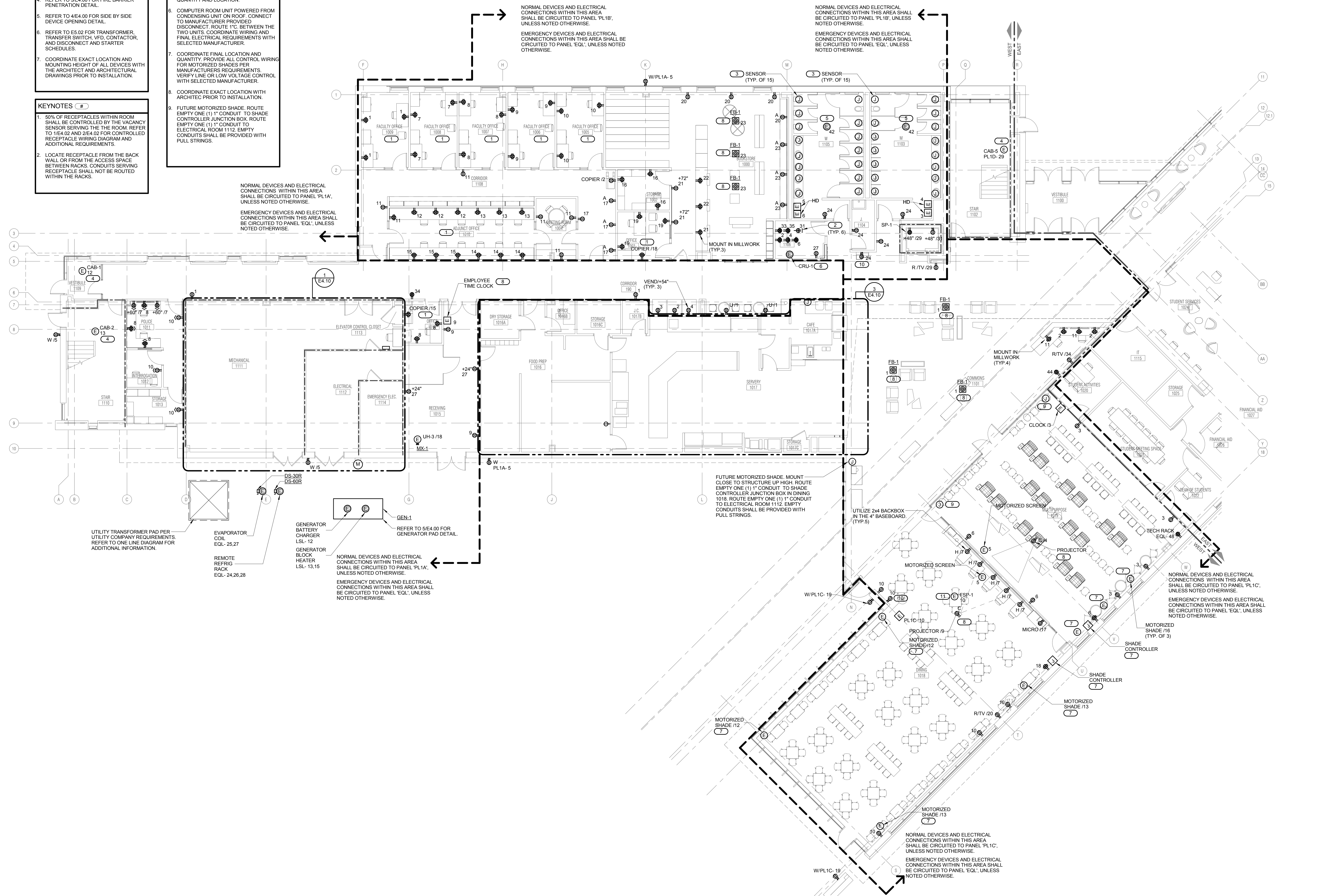
REFERENCE SCALE IN INCHES
 0 1 2 3

LEVEL 1 PLAN - WEST - POWER
 1/8" = 1'-0"
 NORTH

- GENERAL SHEET NOTES**
- REFER TO SHEET E0.00 FOR GENERAL ELECTRICAL NOTES, ELECTRICAL INSTALLATION NOTES AND ELECTRICAL SYMBOL LIST.
 - REFER TO SHEETS E8.00 AND E8.01 FOR ELECTRICAL ONE-LINE DIAGRAM.
 - REFER TO SHEETS E5.10 THROUGH E5.12 FOR PANEL SCHEDULES.
 - REFER TO 3/E4.00 FOR FIRE BARRIER PENETRATION DETAIL.
 - REFER TO 4/E4.00 FOR SIDE BY SIDE DEVICE OPENING DETAIL.
 - REFER TO E5.02 FOR TRANSFORMER, TRANSFER SWITCH, VFD, CONTACTOR, AND DISCONNECT AND STARTER SCHEDULES.
 - COORDINATE EXACT LOCATION AND MOUNTING HEIGHT OF ALL DEVICES WITH THE ARCHITECT AND ARCHITECTURAL DRAWINGS PRIOR TO INSTALLATION.
- KEYNOTES (C#)**
- 50% OF RECEPTACLES WITHIN ROOM SHALL BE CONTROLLED BY THE VACANCY SENSOR SERVING THE ROOM. REFER TO 1/E4.02 AND 2/E4.02 FOR CONTROLLED RECEPTACLE WIRING DIAGRAM AND ADDITIONAL REQUIREMENTS.
 - LOCATE RECEPTACLE FROM THE BACK WALL OR FROM THE ACCESS SPACE BETWEEN RACKS. CONDUITS SERVING RECEPTACLE SHALL NOT BE ROUTED WITHIN THE RACKS.

- KEYNOTES (C#)**
- CONNECT TO TRANSFORMER(S) FOR LOW VOLTAGE PLUMBING SENSORS IN AN ACCESSIBLE LOCATION ABOVE THE CEILING. COORDINATE QUANTITY OF TRANSFORMERS AND ROUGH-IN LOCATIONS.
 - CONNECT TO MANUFACTURER PROVIDED DISCONNECT/CONTROLLER.
 - SENSOR TRANSFORMER(S). COORDINATE QUANTITY AND LOCATION.
 - COMPUTER ROOM UNIT POWERED FROM CONDENSING UNIT ON ROOF. CONNECT TO MANUFACTURER PROVIDED DISCONNECT. ROUTE 1" C. BETWEEN THE TWO UNITS. COORDINATE WIRING AND FINAL ELECTRICAL REQUIREMENTS WITH SELECTED MANUFACTURER.
 - COORDINATE FINAL LOCATION AND QUANTITY. PROVIDE ALL CONTROL WIRING FOR MOTORIZED SHADES PER MANUFACTURER'S REQUIREMENTS. VERIFY LINE OR LOW VOLTAGE CONTROL WITH SELECTED MANUFACTURER.
 - COORDINATE EXACT LOCATION WITH ARCHITECT PRIOR TO INSTALLATION.
 - FUTURE MOTORIZED SHADE. ROUTE EMPTY ONE (1) 1" CONDUIT TO SHADE CONTROLLER JUNCTION BOX. ROUTE EMPTY ONE (1) 1" CONDUIT TO ELECTRICAL ROOM 1112. EMPTY CONDUITS SHALL BE PROVIDED WITH PULL STRINGS.

- KEYNOTES (C#)**
- LOCATE BEHIND ACCESS PANEL. COORDINATE EXACT LOCATION WITH MC AND DRINKING FOUNTAIN MANUFACTURER.
 - COORDINATE FINAL LOCATION AND QUANTITY WITH PLUMBING CONTRACTOR. VERIFY WIRING REQUIREMENTS WITH SELECTED MANUFACTURER.



NORMAL DEVICES AND ELECTRICAL CONNECTIONS WITHIN THIS AREA SHALL BE CIRCUITED TO PANEL 'PL1A', UNLESS NOTED OTHERWISE.

EMERGENCY DEVICES AND ELECTRICAL CONNECTIONS WITHIN THIS AREA SHALL BE CIRCUITED TO PANEL 'EQL', UNLESS NOTED OTHERWISE.

NORMAL DEVICES AND ELECTRICAL CONNECTIONS WITHIN THIS AREA SHALL BE CIRCUITED TO PANEL 'PL1A', UNLESS NOTED OTHERWISE.

EMERGENCY DEVICES AND ELECTRICAL CONNECTIONS WITHIN THIS AREA SHALL BE CIRCUITED TO PANEL 'EQL', UNLESS NOTED OTHERWISE.

NORMAL DEVICES AND ELECTRICAL CONNECTIONS WITHIN THIS AREA SHALL BE CIRCUITED TO PANEL 'PL1B', UNLESS NOTED OTHERWISE.

EMERGENCY DEVICES AND ELECTRICAL CONNECTIONS WITHIN THIS AREA SHALL BE CIRCUITED TO PANEL 'EQL', UNLESS NOTED OTHERWISE.

NORMAL DEVICES AND ELECTRICAL CONNECTIONS WITHIN THIS AREA SHALL BE CIRCUITED TO PANEL 'PL1C', UNLESS NOTED OTHERWISE.

EMERGENCY DEVICES AND ELECTRICAL CONNECTIONS WITHIN THIS AREA SHALL BE CIRCUITED TO PANEL 'EQL', UNLESS NOTED OTHERWISE.

NORMAL DEVICES AND ELECTRICAL CONNECTIONS WITHIN THIS AREA SHALL BE CIRCUITED TO PANEL 'PL1D', UNLESS NOTED OTHERWISE.

EMERGENCY DEVICES AND ELECTRICAL CONNECTIONS WITHIN THIS AREA SHALL BE CIRCUITED TO PANEL 'EQL', UNLESS NOTED OTHERWISE.

NORMAL DEVICES AND ELECTRICAL CONNECTIONS WITHIN THIS AREA SHALL BE CIRCUITED TO PANEL 'PL1E', UNLESS NOTED OTHERWISE.

EMERGENCY DEVICES AND ELECTRICAL CONNECTIONS WITHIN THIS AREA SHALL BE CIRCUITED TO PANEL 'EQL', UNLESS NOTED OTHERWISE.

NORMAL DEVICES AND ELECTRICAL CONNECTIONS WITHIN THIS AREA SHALL BE CIRCUITED TO PANEL 'PL1F', UNLESS NOTED OTHERWISE.

EMERGENCY DEVICES AND ELECTRICAL CONNECTIONS WITHIN THIS AREA SHALL BE CIRCUITED TO PANEL 'EQL', UNLESS NOTED OTHERWISE.

NORMAL DEVICES AND ELECTRICAL CONNECTIONS WITHIN THIS AREA SHALL BE CIRCUITED TO PANEL 'PL1G', UNLESS NOTED OTHERWISE.

EMERGENCY DEVICES AND ELECTRICAL CONNECTIONS WITHIN THIS AREA SHALL BE CIRCUITED TO PANEL 'EQL', UNLESS NOTED OTHERWISE.

NORMAL DEVICES AND ELECTRICAL CONNECTIONS WITHIN THIS AREA SHALL BE CIRCUITED TO PANEL 'PL1H', UNLESS NOTED OTHERWISE.

EMERGENCY DEVICES AND ELECTRICAL CONNECTIONS WITHIN THIS AREA SHALL BE CIRCUITED TO PANEL 'EQL', UNLESS NOTED OTHERWISE.

NORMAL DEVICES AND ELECTRICAL CONNECTIONS WITHIN THIS AREA SHALL BE CIRCUITED TO PANEL 'PL1I', UNLESS NOTED OTHERWISE.

EMERGENCY DEVICES AND ELECTRICAL CONNECTIONS WITHIN THIS AREA SHALL BE CIRCUITED TO PANEL 'EQL', UNLESS NOTED OTHERWISE.

NORMAL DEVICES AND ELECTRICAL CONNECTIONS WITHIN THIS AREA SHALL BE CIRCUITED TO PANEL 'PL1J', UNLESS NOTED OTHERWISE.

EMERGENCY DEVICES AND ELECTRICAL CONNECTIONS WITHIN THIS AREA SHALL BE CIRCUITED TO PANEL 'EQL', UNLESS NOTED OTHERWISE.

NORMAL DEVICES AND ELECTRICAL CONNECTIONS WITHIN THIS AREA SHALL BE CIRCUITED TO PANEL 'PL1K', UNLESS NOTED OTHERWISE.

EMERGENCY DEVICES AND ELECTRICAL CONNECTIONS WITHIN THIS AREA SHALL BE CIRCUITED TO PANEL 'EQL', UNLESS NOTED OTHERWISE.

NORMAL DEVICES AND ELECTRICAL CONNECTIONS WITHIN THIS AREA SHALL BE CIRCUITED TO PANEL 'PL1L', UNLESS NOTED OTHERWISE.

EMERGENCY DEVICES AND ELECTRICAL CONNECTIONS WITHIN THIS AREA SHALL BE CIRCUITED TO PANEL 'EQL', UNLESS NOTED OTHERWISE.

NORMAL DEVICES AND ELECTRICAL CONNECTIONS WITHIN THIS AREA SHALL BE CIRCUITED TO PANEL 'PL1M', UNLESS NOTED OTHERWISE.

EMERGENCY DEVICES AND ELECTRICAL CONNECTIONS WITHIN THIS AREA SHALL BE CIRCUITED TO PANEL 'EQL', UNLESS NOTED OTHERWISE.

NORMAL DEVICES AND ELECTRICAL CONNECTIONS WITHIN THIS AREA SHALL BE CIRCUITED TO PANEL 'PL1N', UNLESS NOTED OTHERWISE.

EMERGENCY DEVICES AND ELECTRICAL CONNECTIONS WITHIN THIS AREA SHALL BE CIRCUITED TO PANEL 'EQL', UNLESS NOTED OTHERWISE.

NORMAL DEVICES AND ELECTRICAL CONNECTIONS WITHIN THIS AREA SHALL BE CIRCUITED TO PANEL 'PL1O', UNLESS NOTED OTHERWISE.

EMERGENCY DEVICES AND ELECTRICAL CONNECTIONS WITHIN THIS AREA SHALL BE CIRCUITED TO PANEL 'EQL', UNLESS NOTED OTHERWISE.

NORMAL DEVICES AND ELECTRICAL CONNECTIONS WITHIN THIS AREA SHALL BE CIRCUITED TO PANEL 'PL1P', UNLESS NOTED OTHERWISE.

EMERGENCY DEVICES AND ELECTRICAL CONNECTIONS WITHIN THIS AREA SHALL BE CIRCUITED TO PANEL 'EQL', UNLESS NOTED OTHERWISE.

NORMAL DEVICES AND ELECTRICAL CONNECTIONS WITHIN THIS AREA SHALL BE CIRCUITED TO PANEL 'PL1Q', UNLESS NOTED OTHERWISE.

EMERGENCY DEVICES AND ELECTRICAL CONNECTIONS WITHIN THIS AREA SHALL BE CIRCUITED TO PANEL 'EQL', UNLESS NOTED OTHERWISE.

NORMAL DEVICES AND ELECTRICAL CONNECTIONS WITHIN THIS AREA SHALL BE CIRCUITED TO PANEL 'PL1R', UNLESS NOTED OTHERWISE.

EMERGENCY DEVICES AND ELECTRICAL CONNECTIONS WITHIN THIS AREA SHALL BE CIRCUITED TO PANEL 'EQL', UNLESS NOTED OTHERWISE.

NORMAL DEVICES AND ELECTRICAL CONNECTIONS WITHIN THIS AREA SHALL BE CIRCUITED TO PANEL 'PL1S', UNLESS NOTED OTHERWISE.

EMERGENCY DEVICES AND ELECTRICAL CONNECTIONS WITHIN THIS AREA SHALL BE CIRCUITED TO PANEL 'EQL', UNLESS NOTED OTHERWISE.

NORMAL DEVICES AND ELECTRICAL CONNECTIONS WITHIN THIS AREA SHALL BE CIRCUITED TO PANEL 'PL1T', UNLESS NOTED OTHERWISE.

EMERGENCY DEVICES AND ELECTRICAL CONNECTIONS WITHIN THIS AREA SHALL BE CIRCUITED TO PANEL 'EQL', UNLESS NOTED OTHERWISE.

NORMAL DEVICES AND ELECTRICAL CONNECTIONS WITHIN THIS AREA SHALL BE CIRCUITED TO PANEL 'PL1U', UNLESS NOTED OTHERWISE.

EMERGENCY DEVICES AND ELECTRICAL CONNECTIONS WITHIN THIS AREA SHALL BE CIRCUITED TO PANEL 'EQL', UNLESS NOTED OTHERWISE.

NORMAL DEVICES AND ELECTRICAL CONNECTIONS WITHIN THIS AREA SHALL BE CIRCUITED TO PANEL 'PL1V', UNLESS NOTED OTHERWISE.

EMERGENCY DEVICES AND ELECTRICAL CONNECTIONS WITHIN THIS AREA SHALL BE CIRCUITED TO PANEL 'EQL', UNLESS NOTED OTHERWISE.

NORMAL DEVICES AND ELECTRICAL CONNECTIONS WITHIN THIS AREA SHALL BE CIRCUITED TO PANEL 'PL1W', UNLESS NOTED OTHERWISE.

EMERGENCY DEVICES AND ELECTRICAL CONNECTIONS WITHIN THIS AREA SHALL BE CIRCUITED TO PANEL 'EQL', UNLESS NOTED OTHERWISE.

NORMAL DEVICES AND ELECTRICAL CONNECTIONS WITHIN THIS AREA SHALL BE CIRCUITED TO PANEL 'PL1X', UNLESS NOTED OTHERWISE.

EMERGENCY DEVICES AND ELECTRICAL CONNECTIONS WITHIN THIS AREA SHALL BE CIRCUITED TO PANEL 'EQL', UNLESS NOTED OTHERWISE.

NORMAL DEVICES AND ELECTRICAL CONNECTIONS WITHIN THIS AREA SHALL BE CIRCUITED TO PANEL 'PL1Y', UNLESS NOTED OTHERWISE.

EMERGENCY DEVICES AND ELECTRICAL CONNECTIONS WITHIN THIS AREA SHALL BE CIRCUITED TO PANEL 'EQL', UNLESS NOTED OTHERWISE.

NORMAL DEVICES AND ELECTRICAL CONNECTIONS WITHIN THIS AREA SHALL BE CIRCUITED TO PANEL 'PL1Z', UNLESS NOTED OTHERWISE.

EMERGENCY DEVICES AND ELECTRICAL CONNECTIONS WITHIN THIS AREA SHALL BE CIRCUITED TO PANEL 'EQL', UNLESS NOTED OTHERWISE.



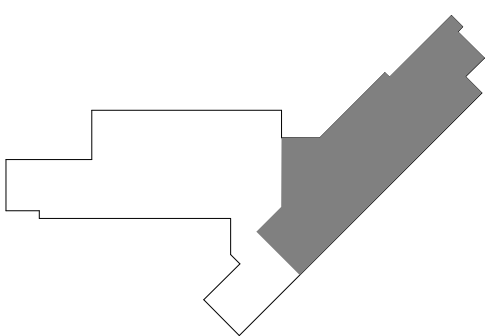
ARCHITECT OF RECORD
DEMONICA KEMPER ARCHITECTS
 125 N. HALSTED STREET, SUITE 301
 CHICAGO, IL 60661
 P: 312.496.0000

STRUCTURAL AND MEP/FP ENGINEERING
KJWW ENGINEERING CONSULTANTS
 1100 WARRENVILLE RD., SUITE 400W
 NAPERVILLE, IL 60563
 P: 630.527.2320

FOOD SERVICE CONSULTANT
CINI LITTLE INTERNATIONAL, INC.
 200 E. HOWARD AVE., SUITE 212
 DES PLAINES, IL 60018
 P: 847.298.0088

JOLIET JUNIOR COLLEGE
ROMEORVILLE CAMPUS EXPANSION
 1125 135th ST. ROMEORVILLE, IL 60446
 DKA PROJECT NO: 14-005

KEY PLAN:



SHEET STATUS: 9/21/15
ISSUED FOR CONSTRUCTION

NO.	DESCRIPTION:	DATE:

SHEET TITLE:
LEVEL 1 PLAN - EAST - POWER

SHEET NUMBER:

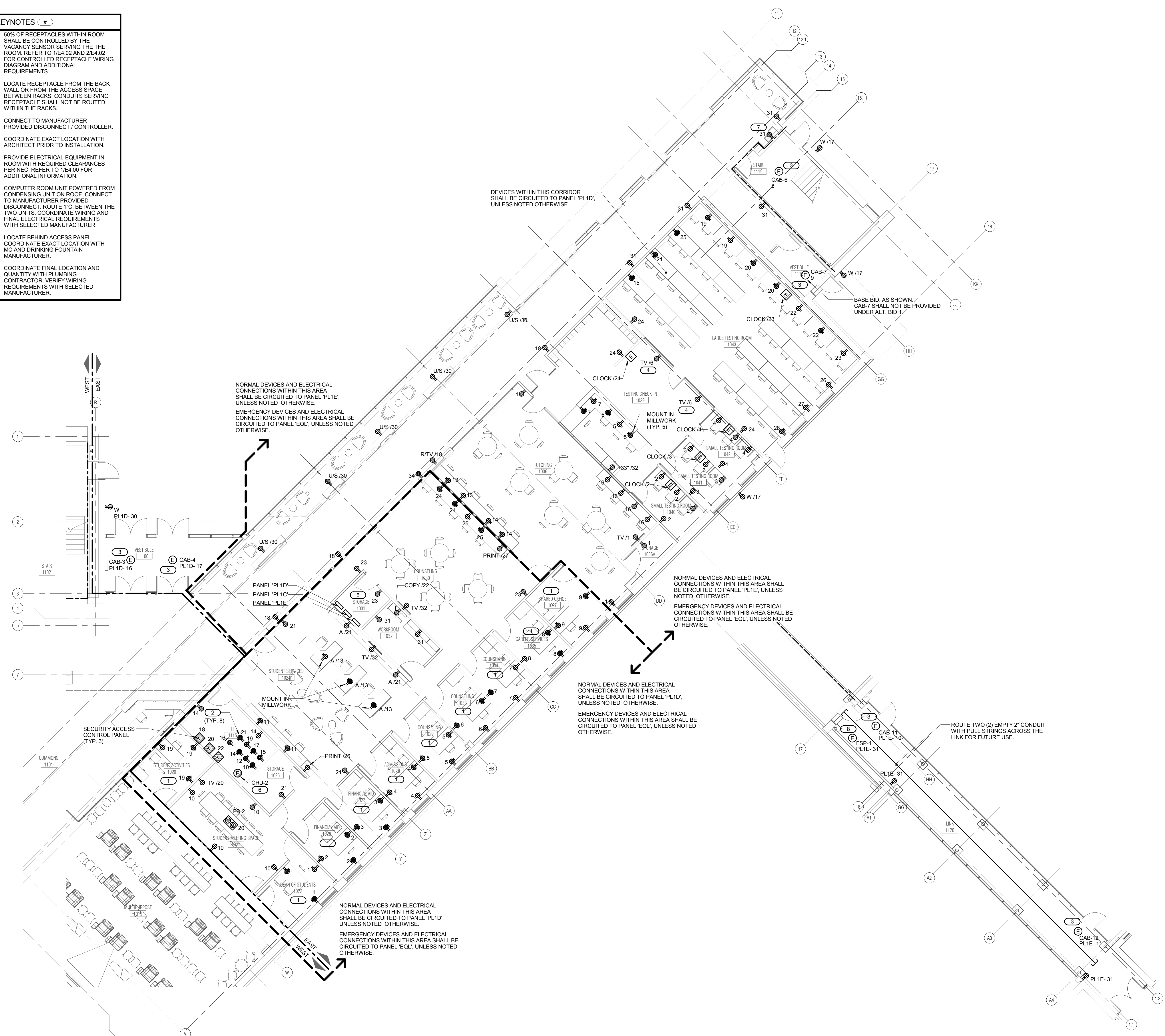
E2.12

GENERAL SHEET NOTES

- REFER TO SHEET E0.00 FOR GENERAL ELECTRICAL NOTES, ELECTRICAL INSTALLATION NOTES AND ELECTRICAL SYMBOL LIST.
- REFER TO SHEETS E8.00 AND E8.01 FOR ELECTRICAL ONE-LINE DIAGRAM.
- REFER TO SHEETS E5.10 THROUGH E5.12 FOR PANEL SCHEDULES.
- REFER TO 3/E4.00 FOR FIRE BARRIER PENETRATION DETAIL.
- REFER TO 4/E4.00 FOR SIDE BY SIDE DEVICE OPENING DETAIL.
- REFER TO E5.02 FOR TRANSFORMER, TRANSFER SWITCH, VFD, CONTACTOR, AND DISCONNECT AND STARTER SCHEDULES.
- COORDINATE EXACT LOCATION AND MOUNTING HEIGHT OF ALL DEVICES WITH THE ARCHITECT AND ARCHITECTURAL DRAWINGS PRIOR TO INSTALLATION.

KEYNOTES

- 50% OF RECEPTACLES WITHIN ROOM SHALL BE CONTROLLED BY THE VACANCY SENSOR SERVING THE ROOM. REFER TO 1/E4.02 AND 2/E4.02 FOR CONTROLLED RECEPTACLE WIRING DIAGRAM AND ADDITIONAL REQUIREMENTS.
- LOCATE RECEPTACLE FROM THE BACK WALL OR FROM THE ACCESS SPACE BETWEEN RACKS. CONDUITS SERVING RECEPTACLE SHALL NOT BE ROUTED WITHIN THE RACKS.
- CONNECT TO MANUFACTURER PROVIDED DISCONNECT / CONTROLLER.
- COORDINATE EXACT LOCATION WITH ARCHITECT PRIOR TO INSTALLATION.
- PROVIDE ELECTRICAL EQUIPMENT IN ROOM WITH REQUIRED CLEARANCES PER NEC. REFER TO 1/E4.00 FOR ADDITIONAL INFORMATION.
- COMPUTER ROOM UNIT POWERED FROM CONDENSING UNIT ON ROOF. CONNECT TO MANUFACTURER PROVIDED DISCONNECT. ROUTE 1" C. BETWEEN THE TWO UNITS. COORDINATE WIRING AND FINAL ELECTRICAL REQUIREMENTS WITH SELECTED MANUFACTURER.
- LOCATE BEHIND ACCESS PANEL. COORDINATE EXACT LOCATION WITH MC AND DRINKING FOUNTAIN MANUFACTURER.
- COORDINATE FINAL LOCATION AND QUANTITY WITH PLUMBING CONTRACTOR. VERIFY WIRING REQUIREMENTS WITH SELECTED MANUFACTURER.



1 LEVEL 1 PLAN - EAST - POWER
 1/8" = 1'-0"

2 LEVEL 1 PLAN - ALT. BID 1 - POWER
 1/8" = 1'-0"
 NOTE:
 1. ALTERNATE BID 1 IS NOT IN CONTRACT.

KJWW ENGINEERING CONSULTANTS
 1100 WARRENVILLE ROAD, SUITE 400W
 NAPERVILLE, IL 60563
 630.527.2320 FAX: 630.527.2321
 WWW.KJWW.COM
 PROJECT # 14.043.00

KJWW ENGINEERING CONSULTANTS
 1100 WARRENVILLE ROAD, SUITE 400W
 NAPERVILLE, IL 60563
 630.527.2320 FAX: 630.527.2321
 WWW.KJWW.COM
 PROJECT # 14.043.00

REVISION SCALE IN INCHES



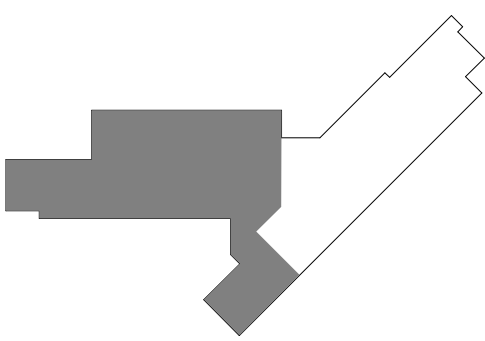
ARCHITECT OF RECORD
DEMONICA KEMPER ARCHITECTS
 125 N. HALSTED STREET, SUITE 301
 CHICAGO, IL 60661
 P: 312.496.0000

STRUCTURAL AND MEP/FP ENGINEERING
KJWW ENGINEERING CONSULTANTS
 1100 WARRENVILLE RD., SUITE 400W
 NAPERVILLE, IL 60563
 P: 630.527.2320

FOOD SERVICE CONSULTANT
CINI LITTLE INTERNATIONAL, INC.
 200 E. HOWARD AVE., SUITE 212
 DES PLAINES, IL 60018
 P: 847.298.0088

**JOLIET JUNIOR COLLEGE
 ROMEOVILLE CAMPUS EXPANSION**
 1125 135th ST. ROMEOVILLE, IL 60446
 DKA PROJECT NO: 14-005

KEY PLAN:



SHEET STATUS: 9/21/15
**ISSUED FOR
 CONSTRUCTION**

NO.	DESCRIPTION:	DATE:

SHEET TITLE:
**LEVEL 2 PLAN - WEST
 - POWER**

SHEET NUMBER:

E2.21

GENERAL SHEET NOTES

- REFER TO SHEET E0.00 FOR GENERAL ELECTRICAL NOTES, ELECTRICAL INSTALLATION NOTES AND ELECTRICAL SYMBOL LIST.
- REFER TO SHEETS E8.00 AND E8.01 FOR ELECTRICAL ONE-LINE DIAGRAM.
- REFER TO SHEETS E5.10 THROUGH E5.12 FOR PANEL SCHEDULES.
- REFER TO 3/E4.00 FOR FIRE BARRIER PENETRATION DETAIL.
- REFER TO 4/E4.00 FOR SIDE BY SIDE DEVICE OPENING DETAIL.
- REFER TO E5.02 FOR TRANSFORMER, TRANSFER SWITCH, VFD, CONTACTOR, AND DISCONNECT AND STARTER SCHEDULES.
- COORDINATE EXACT LOCATION AND MOUNTING HEIGHT OF ALL DEVICES WITH THE ARCHITECT AND ARCHITECTURAL DRAWINGS PRIOR TO INSTALLATION.

KEYNOTES (E)

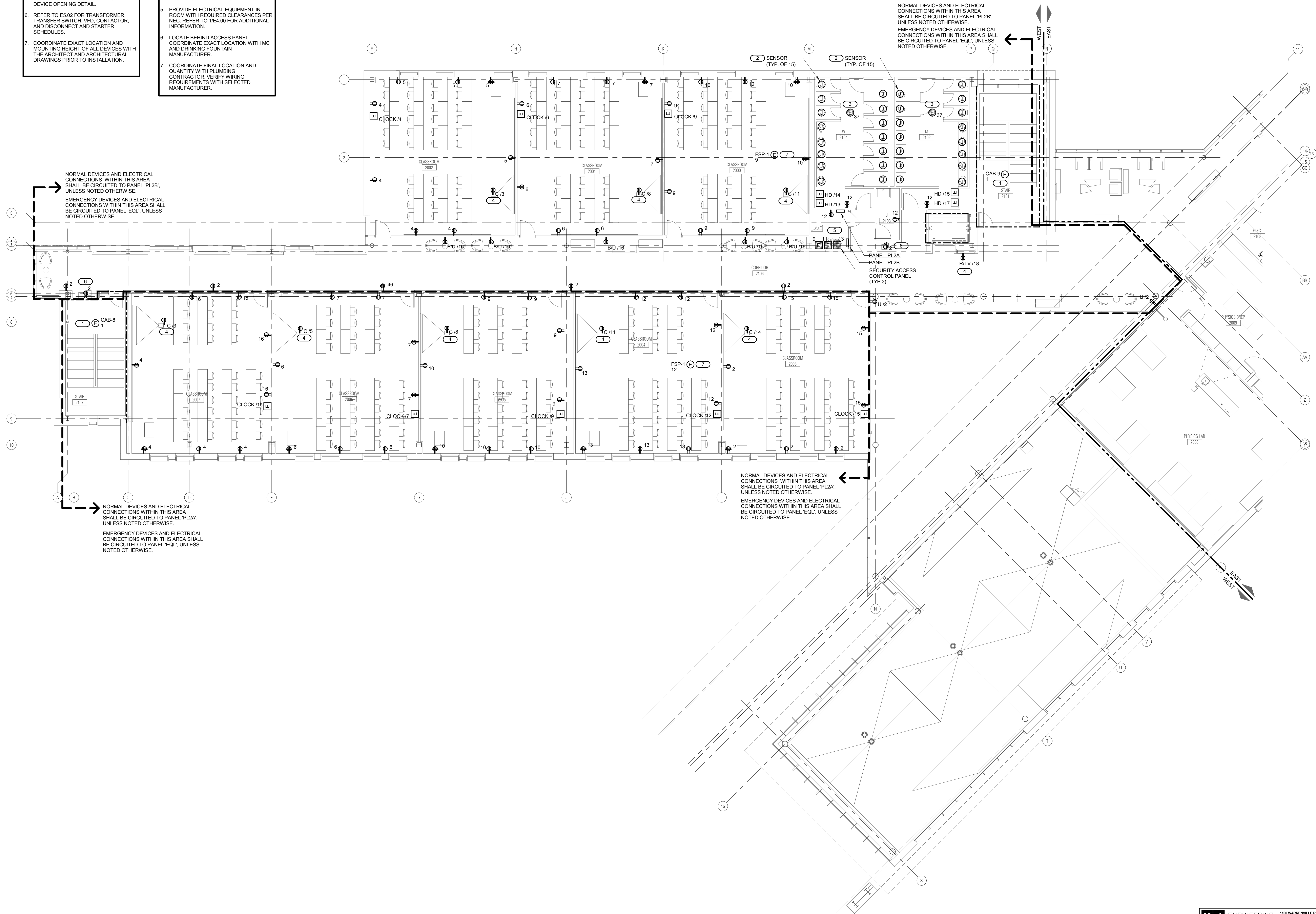
- CONNECT TO MANUFACTURER PROVIDED DISCONNECT / CONTROLLER.
- CONNECT TO TRANSFORMER(S) FOR LOW VOLTAGE PLUMBING SENSORS IN AN ACCESSIBLE LOCATION ABOVE THE CEILING. COORDINATE QUANTITY OF TRANSFORMERS AND ROUGH-IN LOCATIONS.
- SENSOR TRANSFORMER(S). COORDINATE QUANTITY AND LOCATION.
- COORDINATE EXACT LOCATION WITH ARCHITECT PRIOR TO INSTALLATION.
- PROVIDE ELECTRICAL EQUIPMENT IN ROOM WITH REQUIRED CLEARANCES PER NEC. REFER TO 1/E4.00 FOR ADDITIONAL INFORMATION.
- LOCATE BEHIND ACCESS PANEL. COORDINATE EXACT LOCATION WITH MC AND DRINKING FOUNTAIN MANUFACTURER.
- COORDINATE FINAL LOCATION AND QUANTITY WITH PLUMBING CONTRACTOR. VERIFY WIRING REQUIREMENTS WITH SELECTED MANUFACTURER.

NORMAL DEVICES AND ELECTRICAL CONNECTIONS WITHIN THIS AREA SHALL BE CIRCUITED TO PANEL 'PL2B', UNLESS NOTED OTHERWISE.
 EMERGENCY DEVICES AND ELECTRICAL CONNECTIONS WITHIN THIS AREA SHALL BE CIRCUITED TO PANEL 'EOL', UNLESS NOTED OTHERWISE.

NORMAL DEVICES AND ELECTRICAL CONNECTIONS WITHIN THIS AREA SHALL BE CIRCUITED TO PANEL 'PL2A', UNLESS NOTED OTHERWISE.
 EMERGENCY DEVICES AND ELECTRICAL CONNECTIONS WITHIN THIS AREA SHALL BE CIRCUITED TO PANEL 'EOL', UNLESS NOTED OTHERWISE.

NORMAL DEVICES AND ELECTRICAL CONNECTIONS WITHIN THIS AREA SHALL BE CIRCUITED TO PANEL 'PL2A', UNLESS NOTED OTHERWISE.
 EMERGENCY DEVICES AND ELECTRICAL CONNECTIONS WITHIN THIS AREA SHALL BE CIRCUITED TO PANEL 'EOL', UNLESS NOTED OTHERWISE.

NORMAL DEVICES AND ELECTRICAL CONNECTIONS WITHIN THIS AREA SHALL BE CIRCUITED TO PANEL 'PL2B', UNLESS NOTED OTHERWISE.
 EMERGENCY DEVICES AND ELECTRICAL CONNECTIONS WITHIN THIS AREA SHALL BE CIRCUITED TO PANEL 'EOL', UNLESS NOTED OTHERWISE.





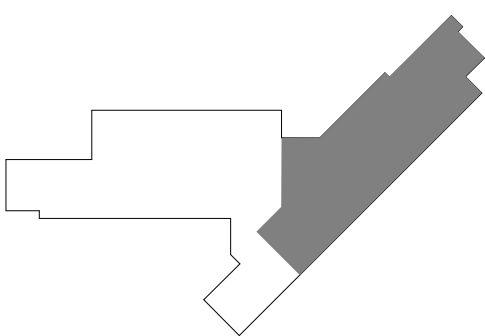
ARCHITECT OF RECORD
DEMIONA KEMPER ARCHITECTS
 125 N. HALSTED STREET, SUITE 301
 CHICAGO, IL 60661
 P: 312.496.0000

STRUCTURAL AND MEP/FP ENGINEERING
KJWW ENGINEERING CONSULTANTS
 1100 WARRENVILLE RD., SUITE 400W
 NAPERVILLE, IL 60563
 P: 630.527.2320

FOOD SERVICE CONSULTANT
CINI LITTLE INTERNATIONAL, INC.
 200 E. HOWARD AVE., SUITE 212
 DES PLAINES, IL 60018
 P: 847.298.0088

JOLIET JUNIOR COLLEGE
ROMEORVILLE CAMPUS EXPANSION
 1125 135th ST. ROMEORVILLE, IL 60446
 DKA PROJECT NO: 14-005

KEY PLAN:



SHEET STATUS: 9/21/15
ISSUED FOR CONSTRUCTION

NO.	DESCRIPTION:	DATE:

SHEET TITLE:
LEVEL 2 PLAN - EAST - POWER

SHEET NUMBER:

E2.22

GENERAL SHEET NOTES

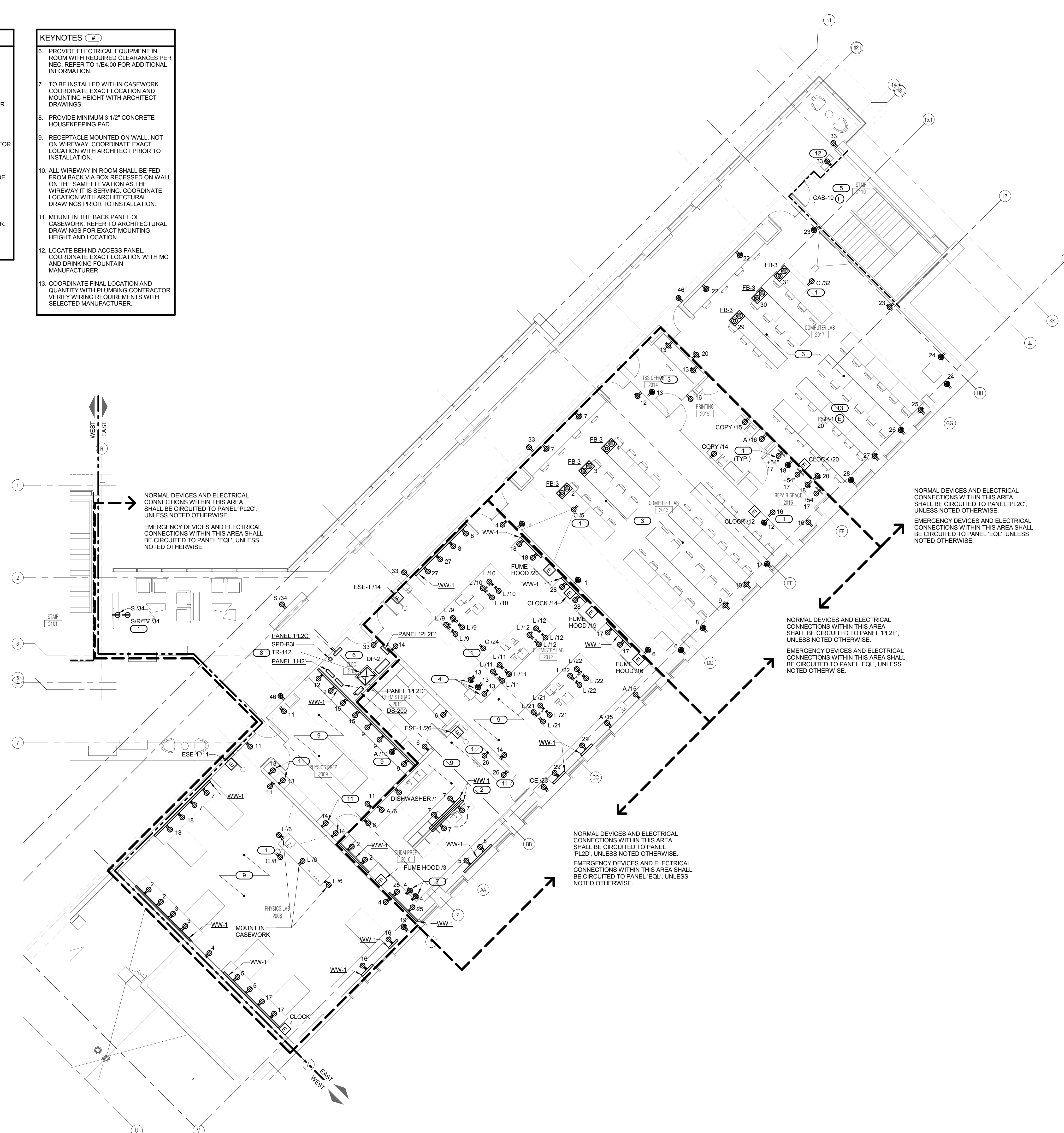
- REFER TO SHEET E0.00 FOR GENERAL ELECTRICAL NOTES, ELECTRICAL INSTALLATION NOTES AND ELECTRICAL SYMBOL LIST.
- REFER TO SHEETS E6.00 AND E6.01 FOR ELECTRICAL ONE-LINE DIAGRAM.
- REFER TO SHEETS E5.10 THROUGH E5.12 FOR PANEL SCHEDULES.
- REFER TO 3/E4.00 FOR FIRE BARRIER PENETRATION DETAIL.
- REFER TO 4/E4.00 FOR SIDE BY SIDE DEVICE OPENING DETAIL.
- REFER TO E5.02 FOR TRANSFORMER, TRANSFER SWITCH, VFD, CONTACTOR, AND DISCONNECT AND STARTER SCHEDULES.
- COORDINATE EXACT LOCATION AND MOUNTING HEIGHT OF ALL DEVICES WITH THE ARCHITECT AND ARCHITECTURAL DRAWINGS PRIOR TO INSTALLATION.

KEYNOTES (C#)

- COORDINATE EXACT LOCATION WITH ARCHITECT PRIOR TO INSTALLATION.
- ROUTE BRANCH CIRCUIT AND WIRE FROM LAB BENCHES TO ABOVE THE ACCESSIBLE CEILING. REFER TO ARCHITECTURAL EQUIPMENT DETAILS FOR ADDITIONAL INFORMATION. COORDINATE MOUNTING HEIGHT PRIOR TO ROUGH-IN.
- 50% OF RECEPTACLES WITHIN ROOM SHALL BE CONTROLLED BY THE VACANCY SENSOR SERVING THE ROOM. REFER TO 1/E4.02 AND 2/E4.02 FOR CONTROLLED RECEPTACLE WIRING DIAGRAM AND ADDITIONAL REQUIREMENTS.
- INSTALL DUPLEX RECEPTACLE OUTSIDE OF CABINET. INSTALL QUAD RECEPTACLES INSIDE OF CABINET. COORDINATE EXACT LOCATION WITH MILLWORK SUPPLIER.
- CONNECT TO MANUFACTURER PROVIDED DISCONNECT / CONTROLLER.

KEYNOTES (C#)

- PROVIDE ELECTRICAL EQUIPMENT IN ROOM WITH REQUIRED CLEARANCES PER NEC. REFER TO 1/E4.00 FOR ADDITIONAL INFORMATION.
- TO BE INSTALLED WITHIN CASEWORK. COORDINATE EXACT LOCATION AND MOUNTING HEIGHT WITH ARCHITECT DRAWINGS.
- PROVIDE MINIMUM 3 1/2" CONCRETE HOUSEKEEPING PAD.
- RECEPTACLE MOUNTED ON WALL, NOT ON WIREWAY. COORDINATE EXACT LOCATION WITH ARCHITECT PRIOR TO INSTALLATION.
- ALL WIREWAY IN ROOM SHALL BE FED FROM BACK VIA BOX RECESSED ON WALL ON THE SAME ELEVATION AS THE WIREWAY IT IS SERVING. COORDINATE LOCATION WITH ARCHITECTURAL DRAWINGS PRIOR TO INSTALLATION.
- MOUNT IN THE BACK PANEL OF CASEWORK. REFER TO ARCHITECTURAL DRAWINGS FOR EXACT MOUNTING HEIGHT AND LOCATION.
- LOCATE BEHIND ACCESS PANEL. COORDINATE EXACT LOCATION WITH MC AND DRINKING FOUNTAIN MANUFACTURER.
- COORDINATE FINAL LOCATION AND QUANTITY WITH PLUMBING CONTRACTOR. VERIFY WIRING REQUIREMENTS WITH SELECTED MANUFACTURER.



NORMAL DEVICES AND ELECTRICAL CONNECTIONS WITHIN THIS AREA SHALL BE CIRCUITED TO PANEL 'PL2C', UNLESS NOTED OTHERWISE.
 EMERGENCY DEVICES AND ELECTRICAL CONNECTIONS WITHIN THIS AREA SHALL BE CIRCUITED TO PANEL 'EQL', UNLESS NOTED OTHERWISE.

NORMAL DEVICES AND ELECTRICAL CONNECTIONS WITHIN THIS AREA SHALL BE CIRCUITED TO PANEL 'PL2C', UNLESS NOTED OTHERWISE.
 EMERGENCY DEVICES AND ELECTRICAL CONNECTIONS WITHIN THIS AREA SHALL BE CIRCUITED TO PANEL 'EQL', UNLESS NOTED OTHERWISE.

NORMAL DEVICES AND ELECTRICAL CONNECTIONS WITHIN THIS AREA SHALL BE CIRCUITED TO PANEL 'PL2E', UNLESS NOTED OTHERWISE.
 EMERGENCY DEVICES AND ELECTRICAL CONNECTIONS WITHIN THIS AREA SHALL BE CIRCUITED TO PANEL 'EQL', UNLESS NOTED OTHERWISE.

NORMAL DEVICES AND ELECTRICAL CONNECTIONS WITHIN THIS AREA SHALL BE CIRCUITED TO PANEL 'PL2D', UNLESS NOTED OTHERWISE.
 EMERGENCY DEVICES AND ELECTRICAL CONNECTIONS WITHIN THIS AREA SHALL BE CIRCUITED TO PANEL 'EQL', UNLESS NOTED OTHERWISE.

1 LEVEL 2 PLAN - EAST - POWER
 1/8" = 1'-0"

KJWW ENGINEERING CONSULTANTS
 1100 WARRENVILLE ROAD, SUITE 400W
 NAPERVILLE, ILLINOIS 60563
 630.527.2320 FAX: 630.527.2321
 WWW.KJWW.COM
 PROJECT # 14-005-00
 DESIGN FIRM REGISTRATION #14-005-0073

KJWW ENGINEERING RESERVES PROPRIETARY RIGHTS, INCLUDING COPYRIGHTS, TO THIS DRAWING AND THE DATA SHOWN THEREON. SAID DRAWING AND/OR DATA ARE THE EXCLUSIVE PROPERTY OF KJWW ENGINEERING AND SHALL NOT BE USED OR REPRODUCED FOR ANY OTHER PROJECT WITHOUT THE EXPRESS WRITTEN APPROVAL AND PARTICIPATION OF KJWW ENGINEERING. © 2015 KJWW, P.C.

REFERENCE SCALE IN INCHES
 0 1 2 3



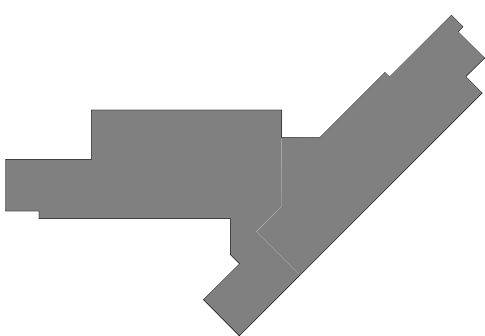
ARCHITECT OF RECORD
DEMONICA KEMPER ARCHITECTS
 125 N. HALSTED STREET, SUITE 301
 CHICAGO, IL 60661
 P: 312.496.0000

STRUCTURAL AND MEP/FP ENGINEERING
KJWW ENGINEERING CONSULTANTS
 1100 WARRENVILLE RD., SUITE 400W
 NAPERVILLE, IL 60563
 P: 630.527.2320

FOOD SERVICE CONSULTANT
CINI LITTLE INTERNATIONAL, INC.
 200 E. HOWARD AVE., SUITE 212
 DES PLAINES, IL 60018
 P: 847.298.0088

JOLIET JUNIOR COLLEGE
ROMEOVILLE CAMPUS EXPANSION
 1125 135th ST. ROMEOVILLE, IL 60446
 DKA PROJECT NO: 14-005

KEY PLAN:



SHEET STATUS: 9/21/15
ISSUED FOR CONSTRUCTION

NO.	DESCRIPTION:	DATE:

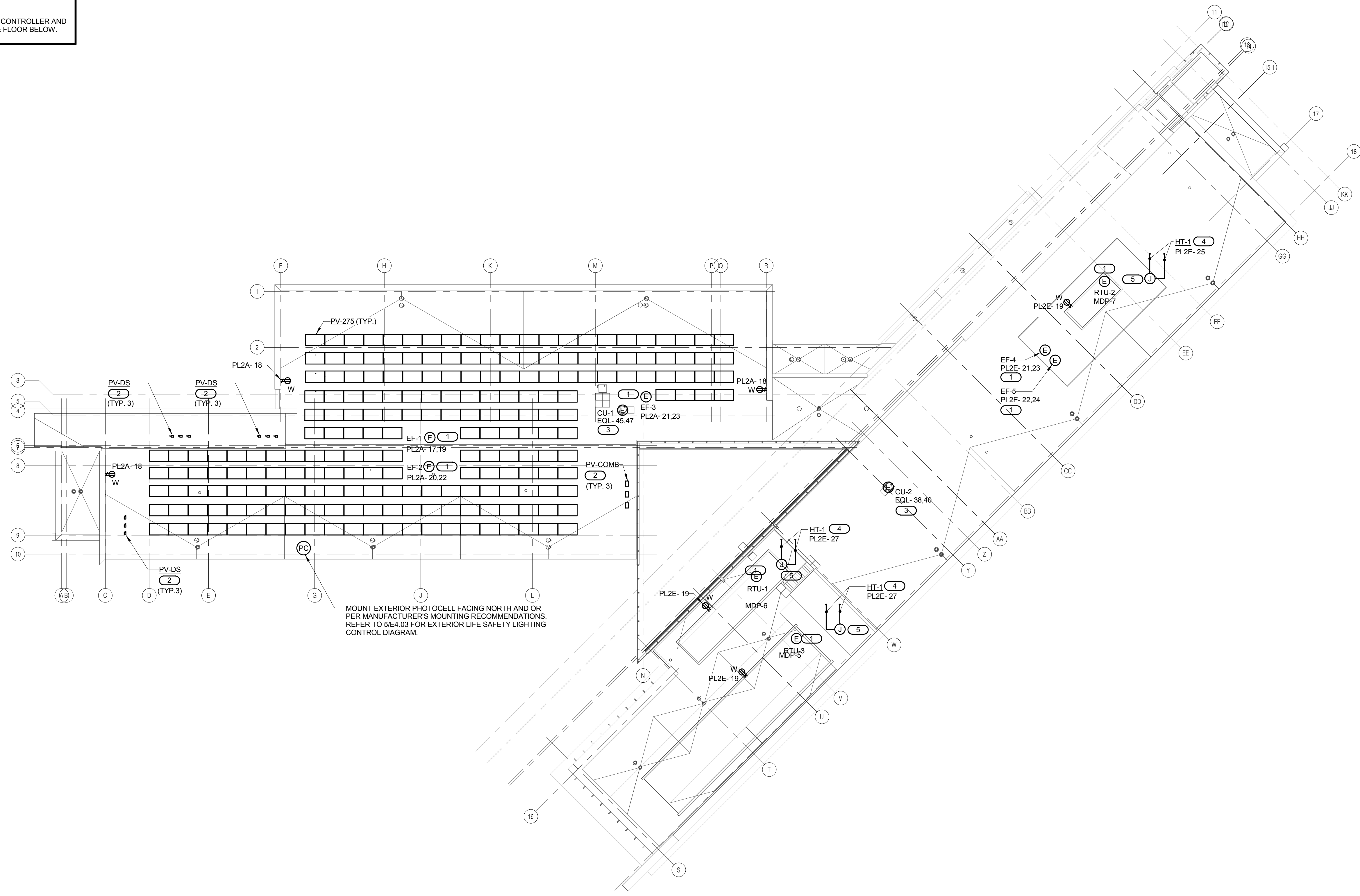
SHEET TITLE:
OVERALL ROOF PLAN - ELECTRICAL

SHEET NUMBER:

E2.30

- GENERAL SHEET NOTES**
- REFER TO SHEET E0.00 FOR GENERAL ELECTRICAL NOTES, ELECTRICAL INSTALLATION NOTES AND ELECTRICAL SYMBOL LIST.
 - REFER TO SHEETS E8.00 AND E8.01 FOR ELECTRICAL ONE-LINE DIAGRAM.
 - REFER TO SHEETS E5.10 THROUGH E5.12 FOR PANEL SCHEDULES.
 - REFER TO 314.00 FOR FIRE BARRIER PENETRATION DETAIL.
 - REFER TO E5.02 FOR TRANSFORMER, TRANSFER SWITCH, VFD, CONTACTOR, AND DISCONNECT AND STARTER SCHEDULES.
 - REFER TO 114.02 FOR GRID-TIE STRING INVERTER SYSTEM ONE-LINE DIAGRAM FOR ADDITIONAL INFORMATION ON THE PV SYSTEM.
 - COORDINATE EXACT LOCATION AND MOUNTING HEIGHT OF ALL DEVICES WITH THE ARCHITECT AND ARCHITECTURAL DRAWINGS PRIOR TO INSTALLATION.

- KEYNOTES (E)**
- CONNECT TO MANUFACTURER PROVIDED DISCONNECT / CONTROLLER.
 - SELF-SUPPORT DISCONNECT AND COMBINER BOX WITH STEEL CHANNELS. PRIME AND PAINT STEEL CHANNELS.
 - CONNECT CONDENSING UNIT TO COMPUTER ROOM UNIT IN IT ROOM. CONNECT TO MANUFACTURER PROVIDED DISCONNECT. COORDINATE WIRING AND FINAL ELECTRICAL REQUIREMENTS WITH SELECTED MANUFACTURER.
 - INSTALL HEAT TRACE IN FULL LENGTH OF ROOFTOP UNIT HEAT EXCHANGER CONDENSATE LINE ON ROOF TO THE FLOOR BELOW. COORDINATE FULL LENGTH WITH M.C. INSTALL ALL EQUIPMENT AND INSTALLATION AS REQUIRED PER MANUFACTURER'S RECOMMENDATION.
 - INSTALL HEAT TRACE CONTROLLER AND JUNCTION BOX IN THE FLOOR BELOW.



1 OVERALL ROOF PLAN - ELECTRICAL
 1/16" = 1'-0"

KJWW ENGINEERING CONSULTANTS
 1100 WARRENVILLE ROAD, SUITE 400W
 NAPERVILLE, ILLINOIS 60563
 630.527.2320 FAX: 630.627.2321
 WWW.KJWW.COM
 PROJECT # 14.043.00
 DESIGN: [Signature]
 CHECK: [Signature]
 DATE: 9/21/15

KJWW ENGINEERING RESERVES PROPRIETARY RIGHTS, INCLUDING COPYRIGHTS, TO THIS DRAWING AND THE DATA SHOWN THEREON. SAID DRAWING AND/OR DATA ARE THE EXCLUSIVE PROPERTY OF KJWW ENGINEERING AND SHALL NOT BE USED OR REPRODUCED FOR ANY OTHER PROJECT WITHOUT THE EXPRESS WRITTEN APPROVAL AND PARTICIPATION OF KJWW ENGINEERING. © 2015 KJWW, P.C.

REFERENCE SCALE IN INCHES
 0 1 2 3



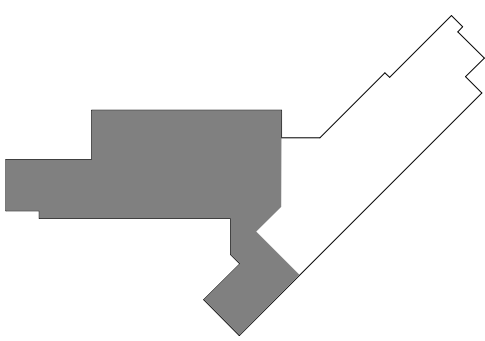
ARCHITECT OF RECORD
DEMONICA KEMPER ARCHITECTS
 125 N. HALSTED STREET, SUITE 301
 CHICAGO, IL 60661
 P: 312.496.0000

STRUCTURAL AND MEP/FP ENGINEERING
KJWW ENGINEERING CONSULTANTS
 1100 WARRENVILLE RD., SUITE 400W
 NAPERVILLE, IL 60563
 P: 630.527.2320

FOOD SERVICE CONSULTANT
CINI LITTLE INTERNATIONAL, INC.
 200 E. HOWARD AVE., SUITE 212
 DES PLAINES, IL 60018
 P: 847.298.0068

JOLIET JUNIOR COLLEGE
ROMEOVILLE CAMPUS EXPANSION
 1125 135th ST. ROMEOVILLE, IL 60446
 DKA PROJECT NO: 14-005

KEY PLAN:



SHEET STATUS: 9/21/15
ISSUED FOR CONSTRUCTION

NO.	DESCRIPTION:	DATE:

SHEET TITLE:
LEVEL 1 PLAN - WEST - SYSTEMS

SHEET NUMBER:

E3.11

GENERAL SHEET NOTES

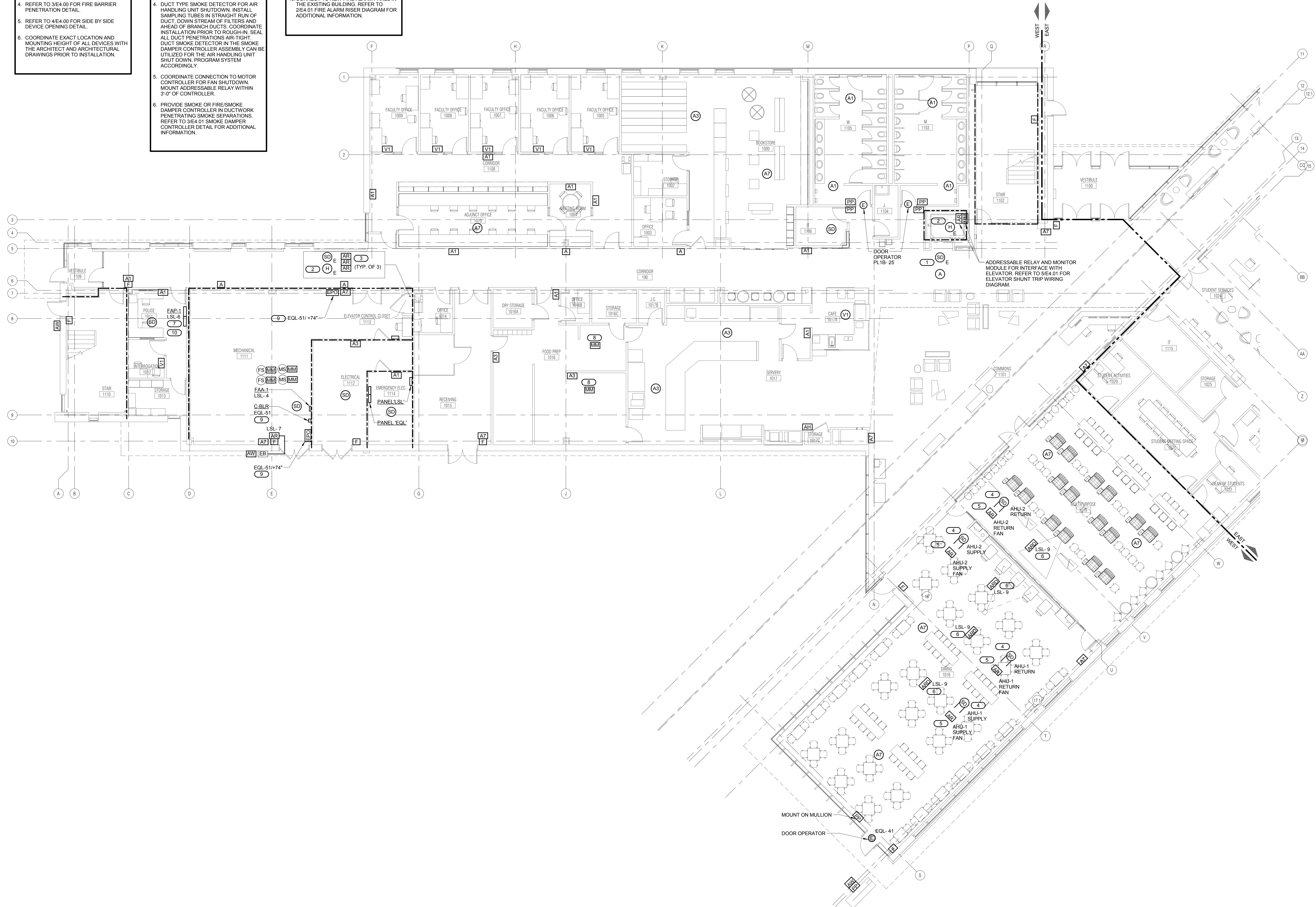
- REFER TO SHEET E0.00 FOR GENERAL ELECTRICAL NOTES, ELECTRICAL INSTALLATION NOTES AND ELECTRICAL SYMBOL LIST.
- REFER TO SHEET 1E4.01 FOR FIRE ALARM OPERATION MATRIX AND 2E4.01 FOR FIRE ALARM RISER DIAGRAM.
- REFER TO SHEETS E5.10 THROUGH E5.12 FOR PANEL SCHEDULES.
- REFER TO 3E4.00 FOR FIRE BARRIER PENETRATION DETAIL.
- REFER TO 4E4.00 FOR SIDE BY SIDE DEVICE OPENING DETAIL.
- COORDINATE EXACT LOCATION AND MOUNTING HEIGHT OF ALL DEVICES WITH THE ARCHITECT AND ARCHITECTURAL DRAWINGS PRIOR TO INSTALLATION.

KEYNOTES (C#)

- LOCATE SMOKE DETECTOR WITHIN 5'-0" OF ELEVATOR DOOR.
- LOCATE HEAT DETECTOR WITHIN 2'-0" OF SPRINKLER HEAD.
- PROVIDE THREE (3) FIRE ALARM RELAYS FOR ELEVATOR. RELAYS ARE FOR DESIGNATED FLOOR RECALL, ALTERNATE FLOOR RECALL, AND ELEVATOR EQUIPMENT ROOM UNSAFE ALARM.
- DUCT TYPE SMOKE DETECTOR FOR AIR HANDLING UNIT SHUTDOWN. INSTALL SAMPLING TUBES IN STRAIGHT RUN OF DUCT, DOWN STREAM OF FILTERS AND AHEAD OF BRANCH DUCTS. COORDINATE INSTALLATION PRIOR TO ROUGH-IN. SEAL ALL DUCT PENETRATIONS AIR-TIGHT. DUCT SMOKE DETECTOR IN THE SMOKE DAMPER CONTROLLER ASSEMBLY CAN BE UTILIZED FOR THE AIR HANDLING UNIT SHUT DOWN PROGRAM SYSTEM ACCORDINGLY.
- COORDINATE CONNECTION TO MOTOR CONTROLLER FOR FAN SHUTDOWN. MOUNT ADDRESSABLE RELAY WITHIN 3'-0" OF CONTROLLER.
- PROVIDE SMOKE OR FIRESMOKE DAMPER CONTROLLER IN DUCTWORK PENETRATING SMOKE SEPARATIONS. REFER TO 3E4.01 SMOKE DAMPER CONTROLLER DETAIL FOR ADDITIONAL INFORMATION.

KEYNOTES (C#)

- VCC-1 SHALL BE LOCATED WITHIN THE MAIN FIRE ALARM PANEL.
- PROVIDE MONITOR MODULE ABOVE ACCESSIBLE CEILING FOR CONNECTION OF FIRE PROTECTION SYSTEM TO FIRE ALARM SYSTEM.
- REFER TO 4E4.01 FOR BOILER SHUTDOWN CONTROL DIAGRAM.
- CONNECT TO NEW FIRE ALARM PANEL IN THE EXISTING BUILDING. REFER TO 2E5.01 FIRE ALARM RISER DIAGRAM FOR ADDITIONAL INFORMATION.



LEVEL 1 PLAN - WEST - SYSTEMS
 1/8" = 1'-0"

KJWW ENGINEERING CONSULTANTS
 1100 WARRENVILLE ROAD, SUITE 400W
 NAPERVILLE, ILLINOIS 60563
 630.527.2320 FAX: 630.627.2321
 WWW.KJWW.COM
 PROJECT # 14-005-00

DESIGN FIRM REGISTRATION #14-005-00

KJWW ENGINEERING RESERVES PROPRIETARY RIGHTS, INCLUDING COPYRIGHTS, TO THIS DRAWING AND THE DATA SHOWN THEREON. SAID DRAWING AND/OR DATA ARE THE EXCLUSIVE PROPERTY OF KJWW ENGINEERING AND SHALL NOT BE USED OR REPRODUCED FOR ANY OTHER PROJECT WITHOUT THE EXPRESS WRITTEN APPROVAL AND PARTICIPATION OF KJWW ENGINEERING. © 2015 KJWW, P.C.

REFERENCE SCALE IN INCHES



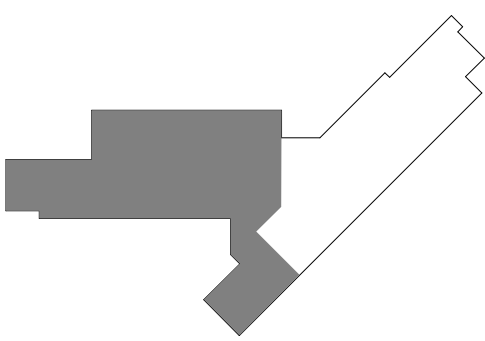
ARCHITECT OF RECORD
DEMONICA KEMPER ARCHITECTS
 125 N. HALSTED STREET, SUITE 301
 CHICAGO, IL 60661
 P: 312.496.0000

STRUCTURAL AND MEPFP ENGINEERING
KJWW ENGINEERING CONSULTANTS
 1100 WARRENVILLE RD., SUITE 400W
 NAPERVILLE, IL 60563
 P: 630.527.2320

FOOD SERVICE CONSULTANT
CINI LITTLE INTERNATIONAL, INC.
 200 E. HOWARD AVE., SUITE 212
 DES PLAINES, IL 60018
 P: 847.298.0088

**JOLIET JUNIOR COLLEGE
 ROMEOVILLE CAMPUS EXPANSION**
 1125 135th ST. ROMEOVILLE, IL 60446
 DKA PROJECT NO: 14-005

KEY PLAN:



SHEET STATUS: 9/21/15
**ISSUED FOR
 CONSTRUCTION**

NO.	DESCRIPTION:	DATE:

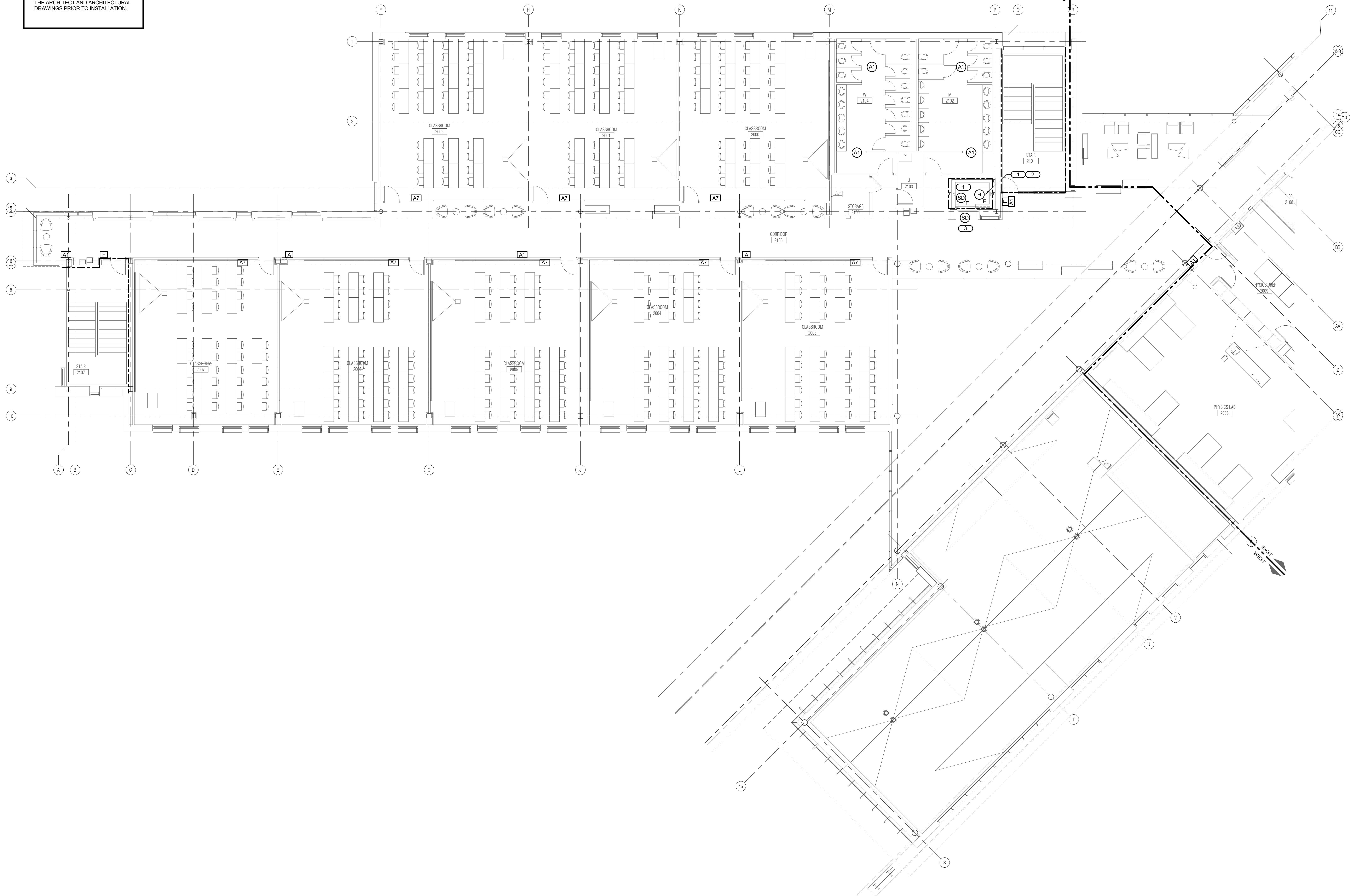
SHEET TITLE:
**LEVEL 2 PLAN - WEST
 - SYSTEMS**

SHEET NUMBER:

E3.21

- GENERAL SHEET NOTES**
- REFER TO SHEET E0.00 FOR GENERAL ELECTRICAL NOTES, ELECTRICAL INSTALLATION NOTES AND ELECTRICAL SYMBOL LIST.
 - REFER TO SHEET 1/E4.01 FOR FIRE ALARM OPERATION MATRIX AND 2/E4.01 FOR FIRE ALARM RISER DIAGRAM.
 - REFER TO SHEETS E5.10 THROUGH E5.12 FOR PANEL SCHEDULES.
 - REFER TO 3/E4.00 FOR FIRE BARRIER PENETRATION DETAIL.
 - REFER TO 4/E4.00 FOR SIDE BY SIDE DEVICE OPENING DETAIL.
 - COORDINATE EXACT LOCATION AND MOUNTING HEIGHT OF ALL DEVICES WITH THE ARCHITECT AND ARCHITECTURAL DRAWINGS PRIOR TO INSTALLATION.

- KEYNOTES** (E)
- LOCATE AT THE TOP OF SHAFT.
 - LOCATE HEAT DETECTOR WITHIN 2'-0" OF SPRINKLER HEAD.
 - LOCATE SMOKE DETECTOR WITHIN 5'-0" OF ELEVATOR DOOR.



LEVEL 2 PLAN - WEST - SYSTEMS
 1/8" = 1'-0"

KJWW ENGINEERING CONSULTANTS
 1100 WARRENVILLE ROAD, SUITE 400W
 NAPERVILLE, IL 60563
 630.527.2320 FAX: 630.527.2321
 WWW.KJWW.COM
 THE FIRM'S DESIGN PROFESSIONAL:
 PROJECT # 14-005-00
 DESIGN FIRM REGISTRATION #14-005-00

KJWW ENGINEERING RESERVES PROPRIETARY RIGHTS, INCLUDING COPYRIGHTS, TO THIS DRAWING AND THE DATA SHOWN THEREON. SAID DRAWING AND/OR DATA ARE THE EXCLUSIVE PROPERTY OF KJWW ENGINEERING AND SHALL NOT BE USED OR REPRODUCED FOR ANY OTHER PROJECT WITHOUT THE EXPRESS WRITTEN APPROVAL AND PARTICIPATION OF KJWW ENGINEERING. © 2015 KJWW, P.C.

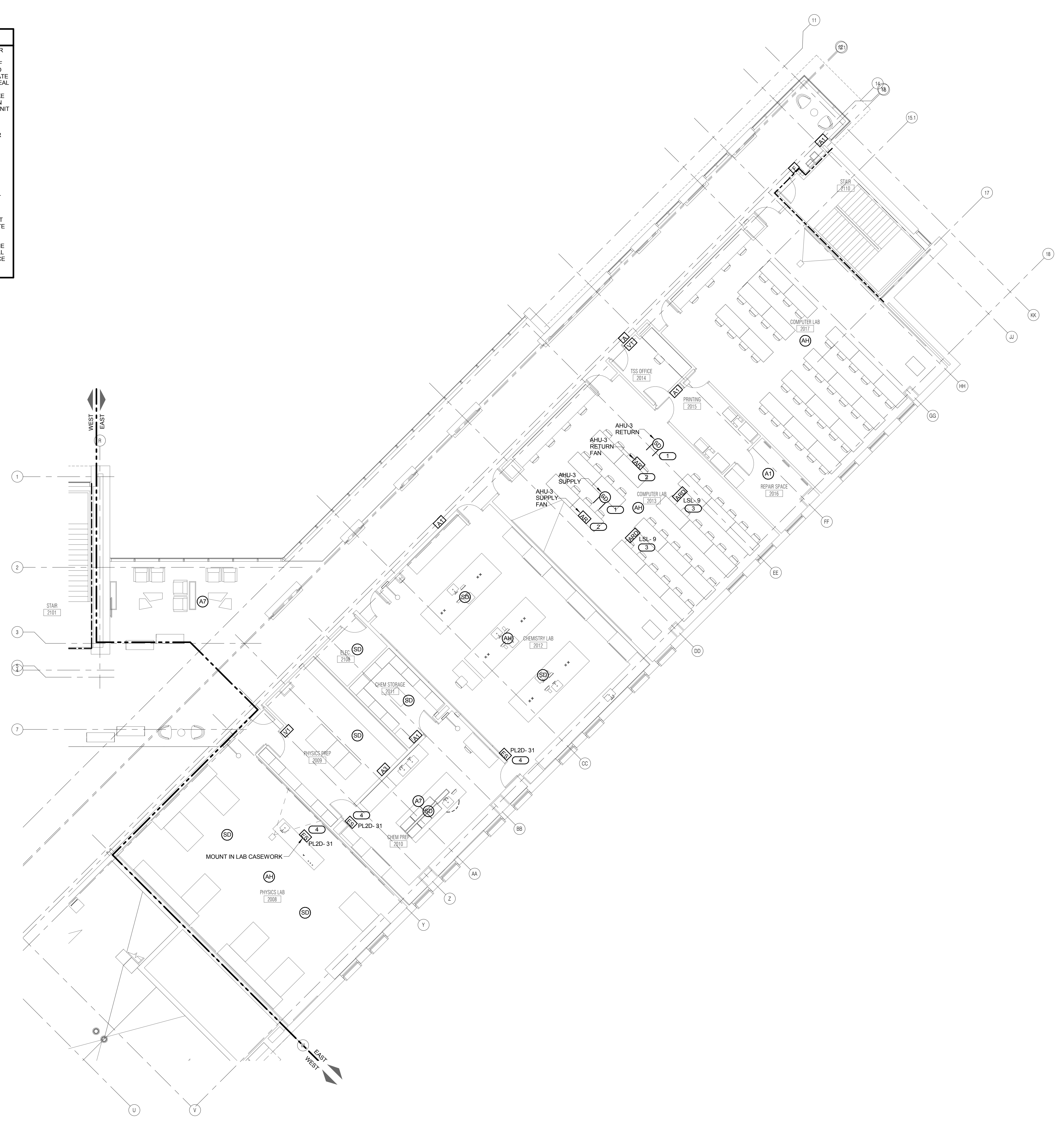
REFERENCE SCALE IN INCHES
 0 1 2 3

GENERAL SHEET NOTES

1. REFER TO SHEET E0.00 FOR GENERAL ELECTRICAL NOTES, ELECTRICAL INSTALLATION NOTES AND ELECTRICAL SYMBOL LIST.
2. REFER TO SHEET 1/E4.01 FOR FIRE ALARM OPERATION MATRIX AND 2/E4.01 FOR FIRE ALARM RISER DIAGRAM.
3. REFER TO SHEETS E5.10 THROUGH E5.12 FOR PANEL SCHEDULES.
4. REFER TO 3/E4.00 FOR FIRE BARRIER PENETRATION DETAIL.
5. REFER TO 4/E4.00 FOR SIDE BY SIDE DEVICE OPENING DETAIL.
6. COORDINATE EXACT LOCATION AND MOUNTING HEIGHT OF ALL DEVICES WITH THE ARCHITECT AND ARCHITECTURAL DRAWINGS PRIOR TO INSTALLATION.

KEYNOTES

1. DUCT TYPE SMOKE DETECTOR FOR AIR HANDLING UNIT SHUTDOWN. INSTALL SAMPLING TUBES IN STRAIGHT RUN OF DUCT, DOWN STREAM OF FILTERS AND AHEAD OF BRANCH DUCTS. COORDINATE INSTALLATION PRIOR TO ROUGH-IN. SEAL ALL DUCT PENETRATIONS AIR-TIGHT. DUCT SMOKE DETECTOR IN THE SMOKE DAMPER CONTROLLER ASSEMBLY CAN BE UTILIZED FOR THE AIR HANDLING UNIT SHUT DOWN. PROGRAM SYSTEM ACCORDINGLY.
2. COORDINATE CONNECTION TO MOTOR CONTROLLER FOR FAN SHUTDOWN. MOUNT ADDRESSABLE RELAY WITHIN 3'-0" OF CONTROLLER.
3. PROVIDE SMOKE OR FIRE/SMOKE DAMPER CONTROLLER IN DUCTWORK PENETRATING SMOKE SEPARATIONS. REFER TO 3/E4.01 SMOKE DAMPER CONTROLLER DETAIL FOR ADDITIONAL INFORMATION. COORDINATE EXACT LOCATION WITH M.C.
4. EMERGENCY GAS SHUT OFF. CONNECT TO GAS SOLENOID VALVE. COORDINATE LOCATION OF SOLENOID VALVE WITH M.C. WIRE ALL THE THREE SHUT OFF SWITCHES IN SERIES SO THAT ANY ONE OF THE SWITCHES IS ACTIVATED SHALL SHUT OFF GAS TO THE ENTIRE SCIENCE AREA.



1 LEVEL 2 PLAN - EAST - SYSTEMS
1/8" = 1'-0"

KJW ENGINEERING CONSULTANTS
1100 WARRENVILLE ROAD, SUITE 400W
NAPERVILLE, ILLINOIS 60563
630.627.2320 FAX: 630.627.2321
WWW.KJW.COM

WJW ENGINEERING CONSULTANTS
1100 WARRENVILLE ROAD, SUITE 400W
NAPERVILLE, ILLINOIS 60563
630.627.2320 FAX: 630.627.2321
WWW.KJW.COM

PROJECT # 14.0443.00

Block Design Firm Registration #18-08973

KJW ENGINEERING RESERVES PROPRIETARY RIGHTS, INCLUDING COPYRIGHTS, TO THIS DRAWING AND THE DATA SHOWN THEREON. SAID DRAWING AND/OR DATA ARE THE EXCLUSIVE PROPERTY OF KJW ENGINEERING AND SHALL NOT BE USED OR REPRODUCED FOR ANY OTHER PROJECT WITHOUT THE EXPRESS WRITTEN APPROVAL AND PARTICIPATION OF KJW ENGINEERING. © 2015 KJW, P.C.

REFERENCE SCALE IN INCHES



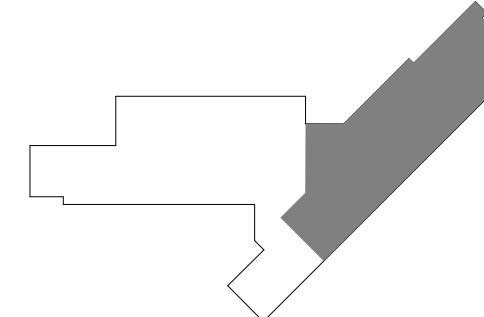
ARCHITECT OF RECORD
DEMONICA KEMPER ARCHITECTS
125 N. HALSTED STREET, SUITE 301
CHICAGO, IL 60661
P: 312.496.0000

STRUCTURAL AND MEP/FP ENGINEERING
KJWW ENGINEERING CONSULTANTS
1100 WARRENVILLE RD., SUITE 400W
NAPERVILLE, IL 60563
P: 630.527.2320

FOOD SERVICE CONSULTANT
CINI LITTLE INTERNATIONAL, INC.
200 E. HOWARD AVE., SUITE 212
DES PLAINES, IL 60018
P: 847.298.0088

JOLIET JUNIOR COLLEGE
ROMEDEVILLE CAMPUS EXPANSION
1125 135th ST. ROMEDEVILLE, IL 60446
DKA PROJECT NO: 14-005

KEY PLAN:



SHEET STATUS: 9/21/15
ISSUED FOR CONSTRUCTION

NO.	DESCRIPTION:	DATE:

SHEET TITLE:
LEVEL 2 PLAN - EAST - SYSTEMS

SHEET NUMBER:
E3.22

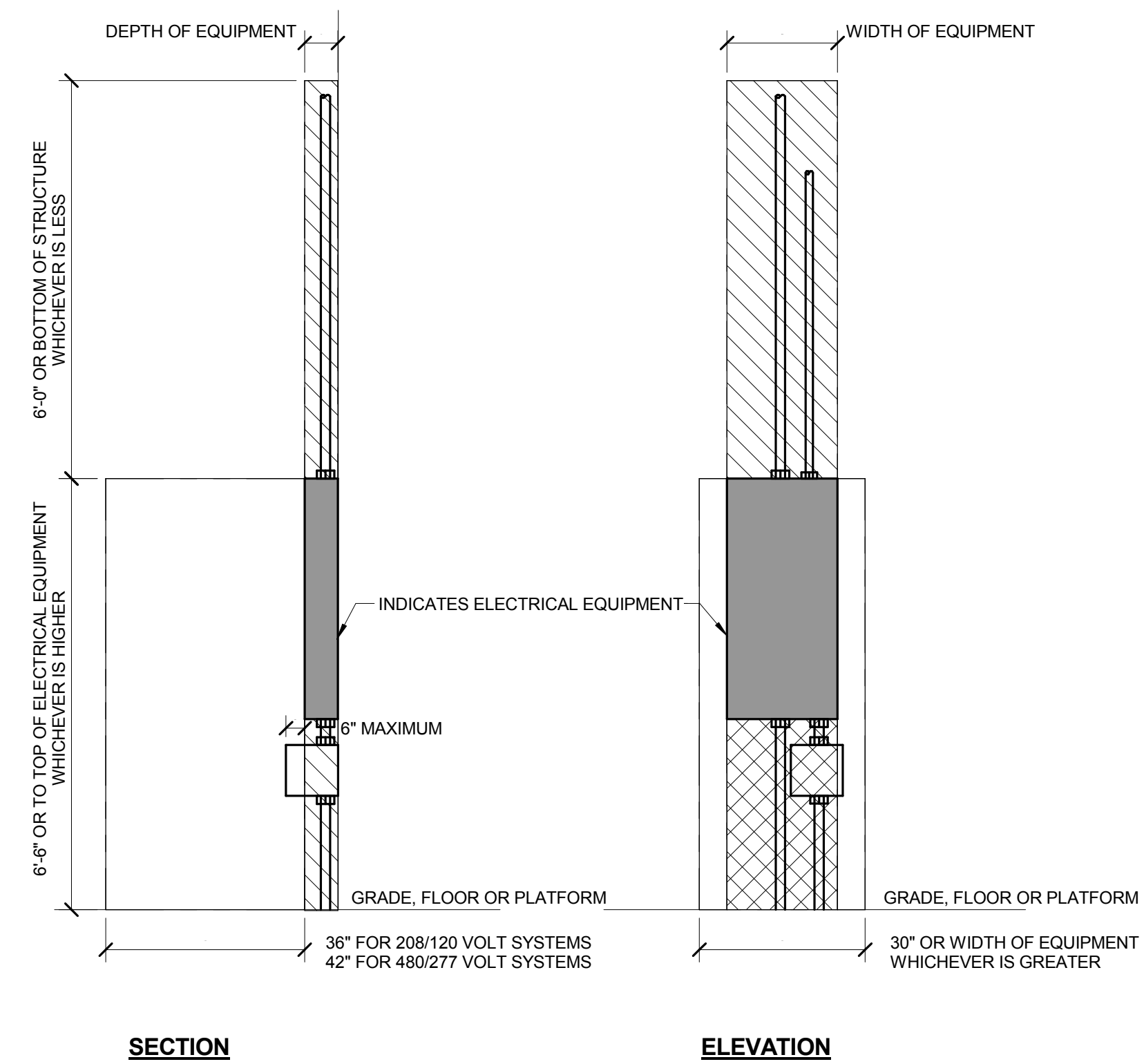


ARCHITECT OF RECORD
DEMONICA KEMPER ARCHITECTS
 125 N. HALSTED STREET, SUITE 301
 CHICAGO, IL 60661
 P: 312.496.0000

STRUCTURAL AND MEP/FP ENGINEERING
KJWW ENGINEERING CONSULTANTS
 1100 WARRENVILLE RD., SUITE 400W
 NAPERVILLE, IL 60563
 P: 630.527.2320

FOOD SERVICE CONSULTANT
CINI LITTLE INTERNATIONAL, INC.
 200 E. HOWARD AVE., SUITE 212
 DES PLAINES, IL 60018
 P: 847.298.0088

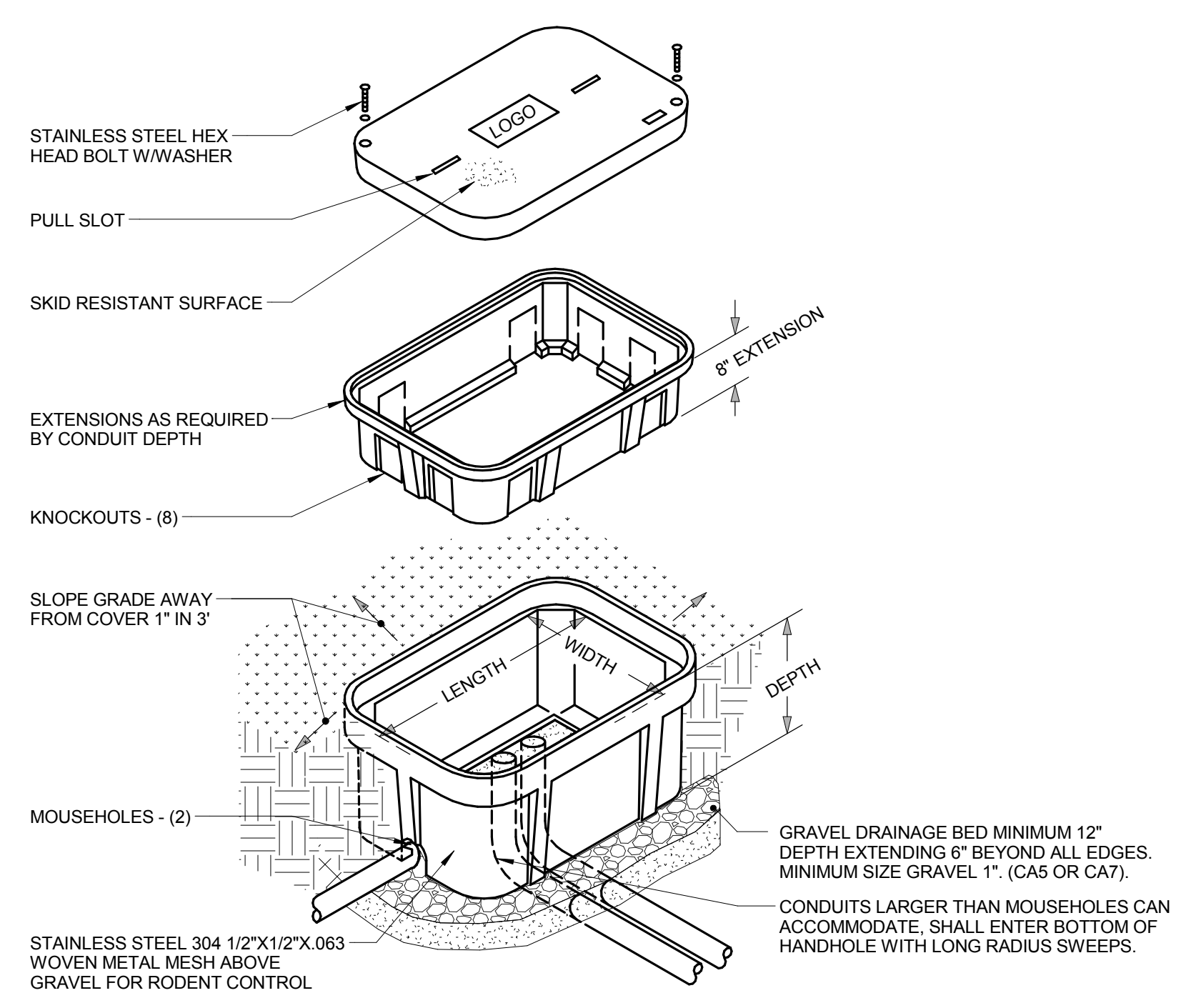
JOLIET JUNIOR COLLEGE
ROMEORVILLE CAMPUS EXPANSION
 1125 135th ST. ROMEORVILLE, IL 60446
 DKA PROJECT NO: 14-005



1 ELECTRICAL EQUIPMENT CLEARANCES

NO SCALE

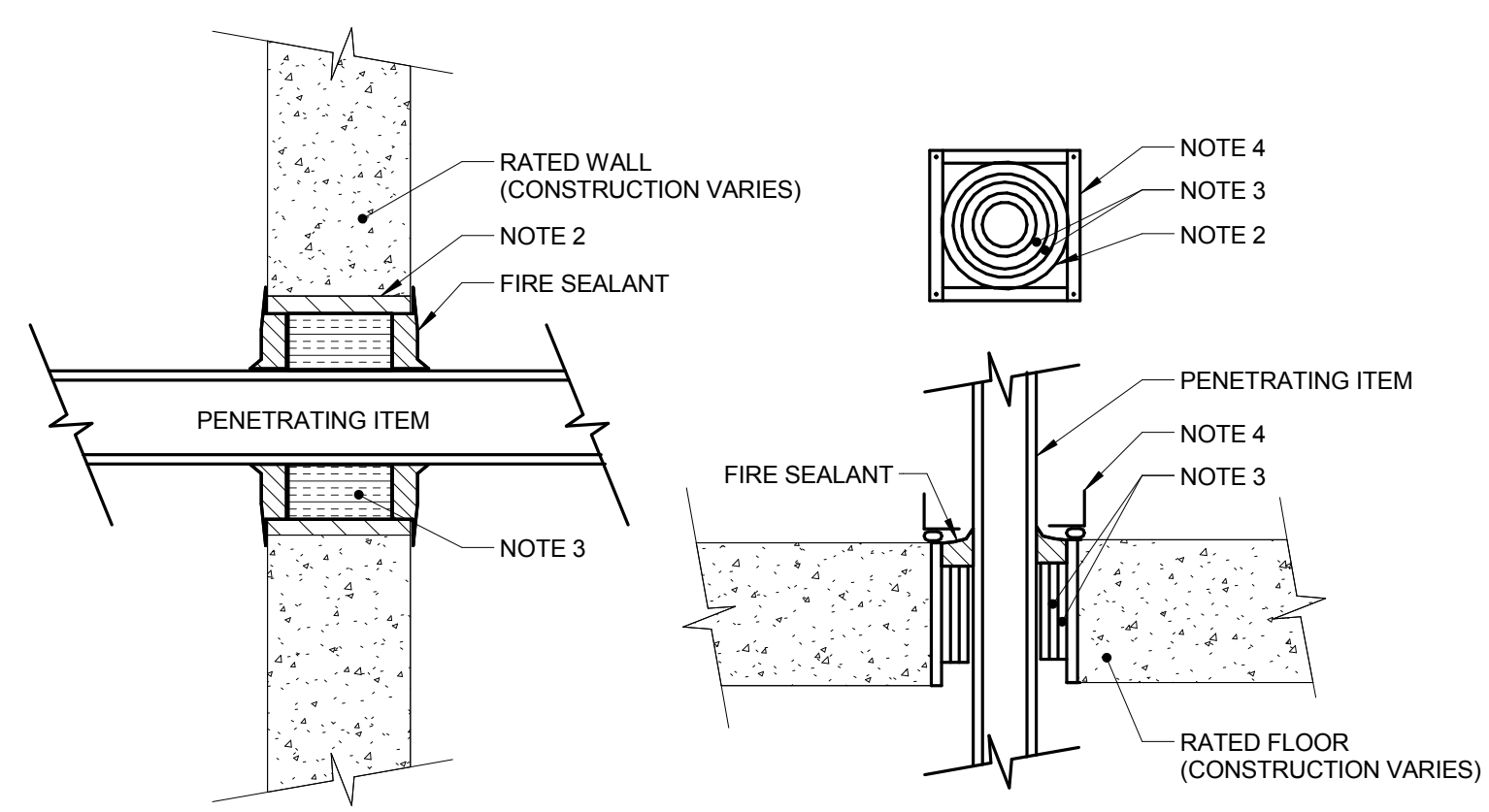
- INDICATES WORKING SPACE REQUIRED PER NEC. ELECTRICAL EQUIPMENT LOCATED ABOVE OR BELOW OTHER RELATED EQUIPMENT SHALL NOT EXTEND MORE THAN 6" IN FRONT OF SUCH EQUIPMENT.
- INDICATES DEDICATED ELECTRICAL SPACE REQUIRED PER NEC.



2 EXTERIOR HANDHOLE DETAIL

NO SCALE

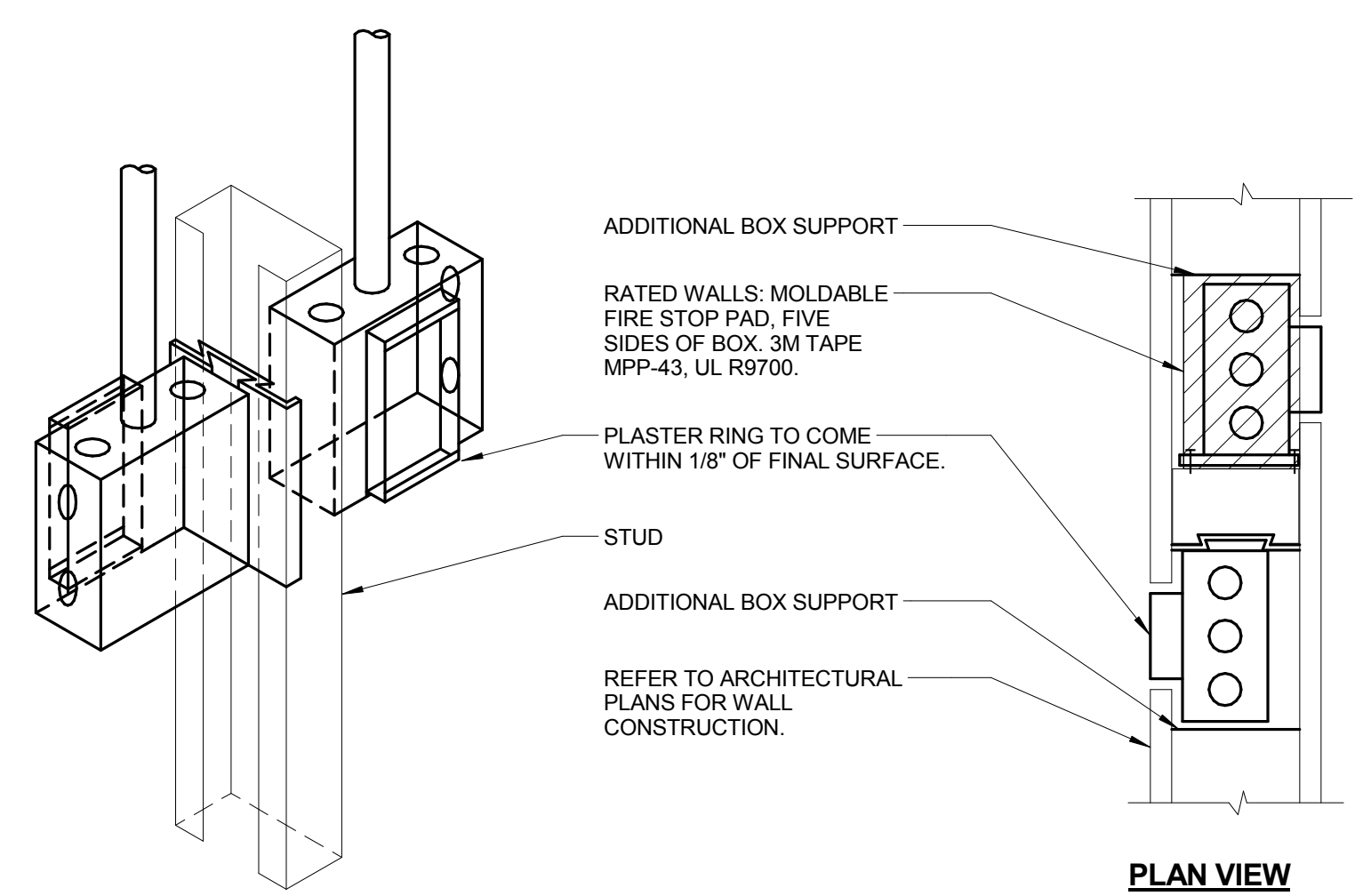
- NOTES:
1. ANY SPLICES OR DEVICES IN HANDHOLE SHALL BE SUBMERGIBLE.
 2. SEAL ALL CONDUIT ENDS WITH DUCTSEAL.



3 FIRE BARRIER PENETRATION

NO SCALE

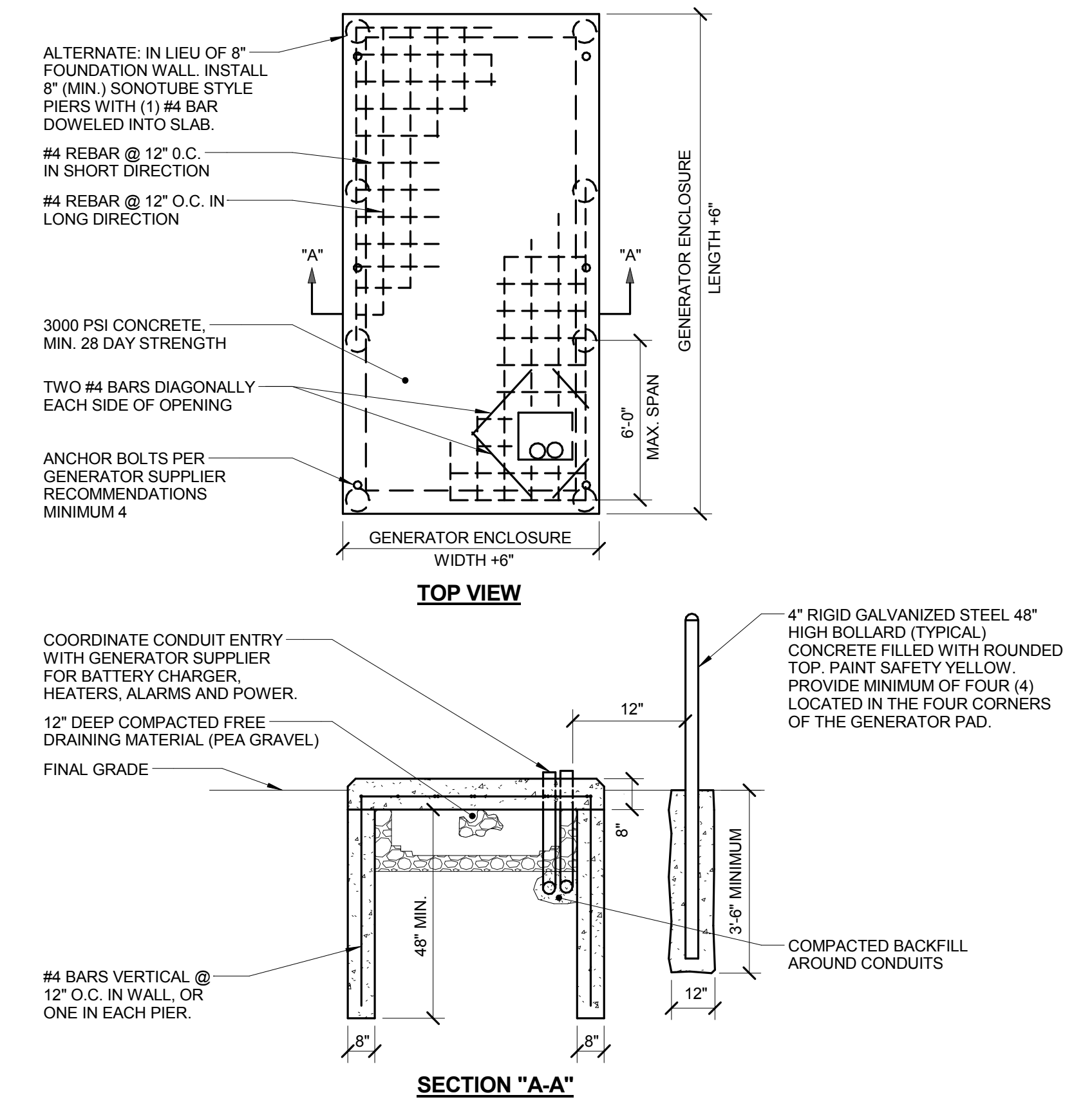
- NOTES:
1. THIS GENERAL DETAIL APPLIES TO ALL ITEMS PENETRATING FIRE RATED WALLS OR FLOORS. THE INTENT IS TO MAINTAIN THE FIRE RATING AND TO ALLOW LONGITUDINAL MOVEMENT. REFER TO SPECIFICATION SECTION 26 05 03 FOR SELECTION OF THROUGH PENETRATION FIRE STOPPING.
 2. SCHEDULE 5 PIPE SLEEVE EMBEDDED IN WALL OR FLOOR, OR SMOOTH CORE DRILL. EACH CONTRACTOR FURNISHES SLEEVE TO G.C., COORDINATES SLEEVE LOCATIONS AND DEBURS SLEEVE. G.C. BUILDS SLEEVE INTO WALL OR FLOOR ALLOWING NO GAP AROUND SLEEVE. IF SLEEVE IS NOT PROVIDED WHEN WALL OR FLOOR IS BUILT, CONTRACTOR SHALL INSTALL SLEEVE. SLEEVE SIZE SHALL ALLOW ANNULAR SPACE REQUIRED BY THE SELECTED FIRE STOP SYSTEM.
 3. INSTALL BACKING MATERIAL, SUCH AS MINERAL WOOL SAFING, AS REQUIRED FOR FIRE STOP SYSTEM. INSTALL IN ACCORDANCE WITH FIRE STOP SYSTEM APPLICATION LISTING. SECURE TO WALL OR FLOOR TO ALLOW LONGITUDINAL MOVEMENT OF PENETRATING ITEM WITHOUT MOVEMENT OF FIRE BARRIER.
 4. WATER-TIGHT WELDED 1"x1" 20 GAUGE MINIMUM GALVANIZED SHEET METAL ANGLE FRAME. BY CONTRACTOR IN EQUIPMENT ROOMS FOR WATER STOP. PLACE A BEAD OF WATERPROOF SEALANT BETWEEN FLOOR AND BOTTOM OF ANGLE FRAME. SECURE TO FLOOR WITH MASONRY ANCHORS IN CORNERS AND ON 12" MAXIMUM CENTERS. MULTIPLE PENETRATING ITEMS MAY BE ENCLOSED IN ONE FRAME.



4 SIDE BY SIDE DEVICE OPENINGS

NO SCALE

- NOTES:
1. HORIZONTAL CONDUIT CONNECTION BETWEEN BOXES LESS THAN 2'-0" NOT PERMITTED. REFER TO SPECIFICATIONS AND DRAWING NOTES FOR ADDITIONAL SPACE REQUIREMENTS BETWEEN DEVICES.



5 GENERATOR PAD DETAIL

NO SCALE

- NOTES:
1. COORDINATE PAD DIMENSIONS WITH GENERATOR SUPPLIER PRIOR TO START OF CONSTRUCTION.

KJWW ENGINEERING CONSULTANTS
 1100 WARRENVILLE ROAD, SUITE 400W
 NAPERVILLE, ILLINOIS 60563
 630.527.2320 FAX: 630.527.2321
 WWW.KJWW.COM
 PROJECT # 14-0403.00
 Design Firm Registration #18-08873

KJWW ENGINEERING RESERVES PROPRIETARY RIGHTS, INCLUDING COPYRIGHTS, TO THIS DRAWING AND THE DATA SHOWN THEREON. SAID DRAWING AND/OR DATA ARE THE EXCLUSIVE PROPERTY OF KJWW ENGINEERING AND SHALL NOT BE USED OR REPRODUCED FOR ANY OTHER PROJECT WITHOUT THE EXPRESS WRITTEN APPROVAL AND PARTICIPATION OF KJWW ENGINEERING. © 2015 KJWW, P.C.

REFERENCE SCALE IN INCHES
 0 1 2 3

SHEET STATUS: 9/21/15
ISSUED FOR CONSTRUCTION

NO.	DESCRIPTION:	DATE:

SHEET TITLE:
ELECTRICAL DETAILS

SHEET NUMBER:
E4.00



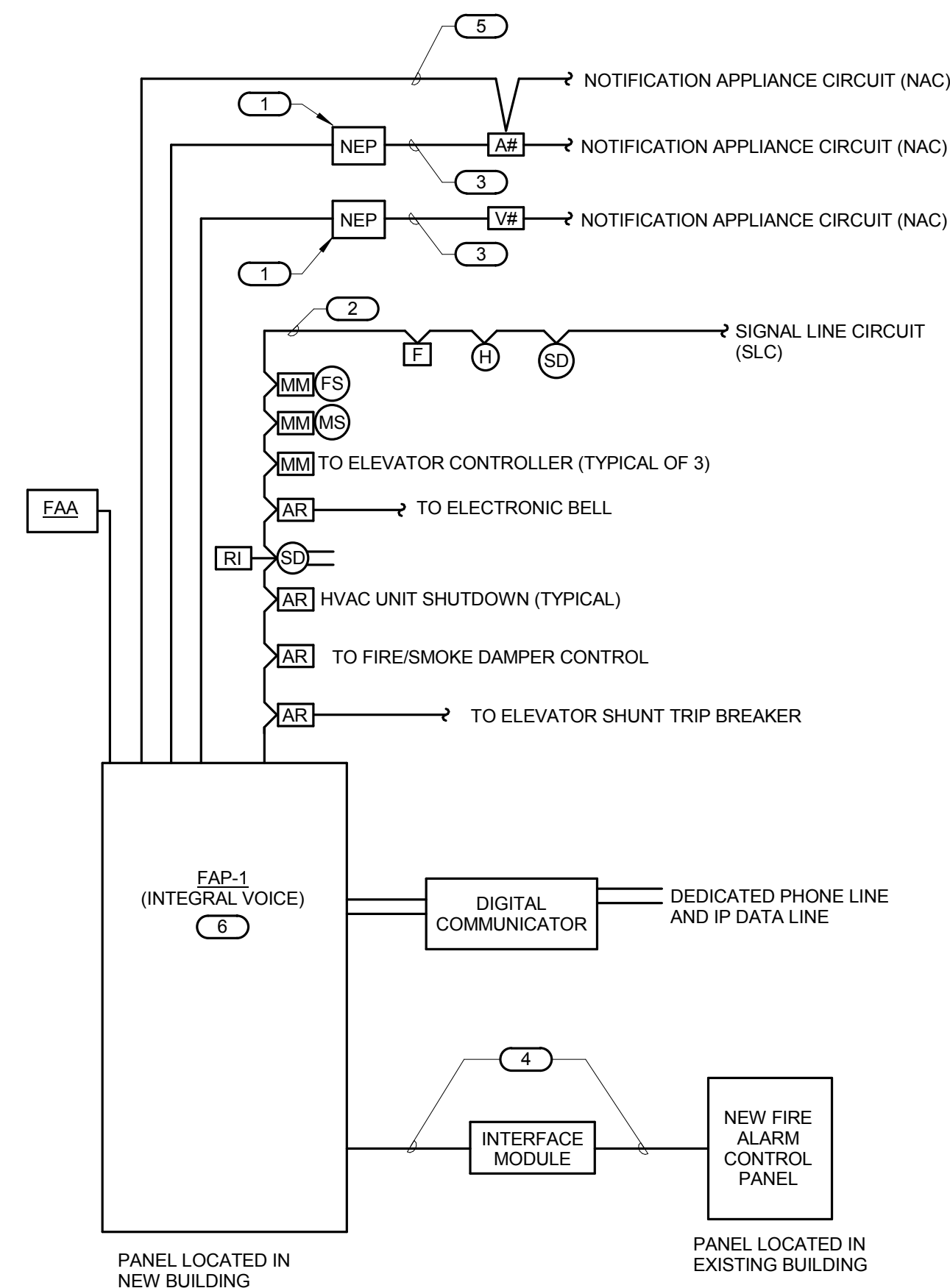
ARCHITECT OF RECORD
DEMONICA KEMPER ARCHITECTS
 125 N. HALSTED STREET, SUITE 301
 CHICAGO, IL 60661
 P: 312.496.0000

STRUCTURAL AND MEP/FP ENGINEERING
KJWW ENGINEERING CONSULTANTS
 1100 WARRENVILLE RD., SUITE 400W
 NAPERVILLE, IL 60563
 P: 630.527.2320

FOOD SERVICE CONSULTANT
CINI LITTLE INTERNATIONAL, INC.
 200 E. HOWARD AVE., SUITE 212
 DES PLAINES, IL 60018
 P: 847.298.0088

JOLIET JUNIOR COLLEGE
ROMEORVILLE CAMPUS EXPANSION
 1125 135th ST. ROMEORVILLE, IL 60446
 DKA PROJECT NO: 14-005

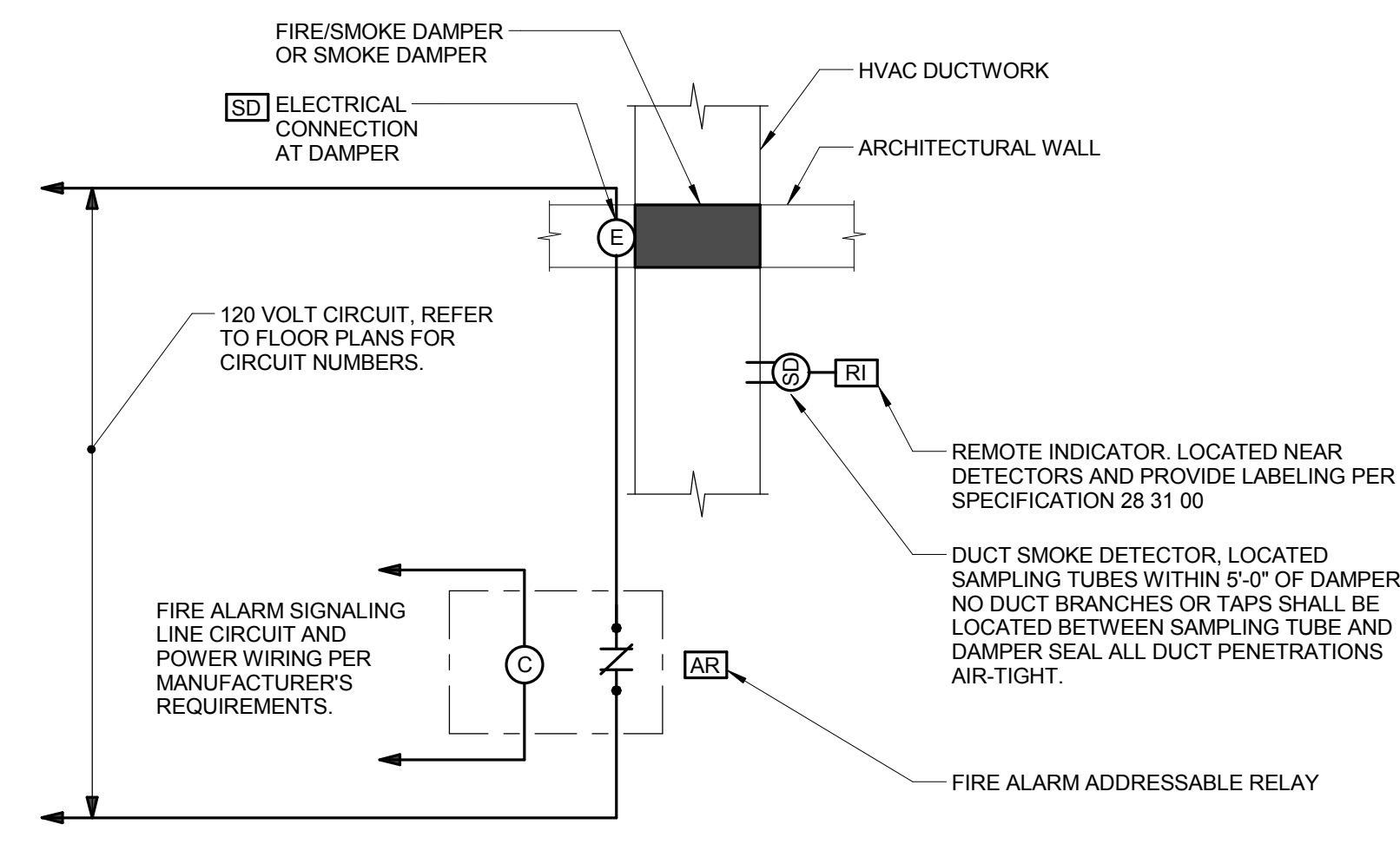
SEQUENCE OF OPERATION	PANEL/ANNUNCIATOR ALARM INDICATION	PANEL/ANNUNCIATOR SUPERVISORY INDICATION	PANEL/ANNUNCIATOR TROUBLE INDICATION	DOUBLE ALARMS SEQUENCE	VISUAL ALARMS SEQUENCE	ELECTRIC SPRINKLER BELL SEQUENCE	SMOKE DAMPER CONTROL SEQUENCE	AHU SHUTDOWN SEQUENCE	ELEVATOR RECALL SEQUENCE	ELEVATOR SHUT DOWN SEQUENCE
FIRE ALARM PANEL, TRANSPONDER, NAC PANEL LOW BATTERY	X									
FIRE ALARM PANEL, TRANSPONDER, NAC PANEL BATTERY OR CHARGER FAILURE		X								
FIRE ALARM PANEL, TRANSPONDER, NAC PANEL ABNORMAL SWITCH OR CONTROL POSITION	X									
FIRE ALARM PANEL, TRANSPONDER, NAC PANEL GROUND FAULT, OPEN CIRCUIT, SHORT CIRCUIT		X								
FIRE ALARM PANEL, TRANSPONDER, NAC PANEL AC POWER LOSS OR IRREGULARITY		X								
NOTIFICATION APPLIANCE CIRCUIT OR SLC LOOP GROUND FAULT, OPEN CIRCUIT, SHORT CIRCUIT		X								
INITIATING DEVICE FAILURE OR COMMUNICATION ERROR		X								
FIRE ALARM PANEL MANUAL FIRE DRILL	X			X	X					
MANUAL PULL STATION	F	X		X	X					
SMOKE DETECTOR	SD	X		X	X					
HEAT DETECTOR	H	X		X	X					
SPRINKLER SYSTEM FLOW SWITCH	FS	MM	X	X	X	X				
SPRINKLER SYSTEM MONITOR SWITCH	MS	MM		X						
SPRINKLER SYSTEM CABINET MONITOR	MS	MM		X						
SMOKE DETECTOR FOR HVAC CONTROL	SD		X				X	X		
SMOKE DETECTOR FOR SMOKE DAMPER CONTROL	SD	ARD	X				X	X		
SMOKE DETECTORS IN ELEVATOR LOBBIES	SD _E	X		X	X				X	
SMOKE DETECTORS IN ELEVATOR MACHINE ROOM & HOISTWAY	SD _E	X		X	X				X	
HEAT DETECTOR NEAR ELEVATOR SPRINKLERS	H _E	X		X	X					X
ELEVATOR SHUNT TRIP CIRCUIT POWER FAILURE	MM	1	X							
KITCHEN HOOD SUPPRESSION SYSTEM ACTIVATION	MM		X							



- GENERAL NOTES:**
- THE RISER DIAGRAM IS INTENDED TO CONVEY THE TYPES OF FIRE ALARM CONNECTIONS AND SPECIFICALLY DOES NOT INDICATE QUANTITIES, NUMBER OF CIRCUITS REQUIRED OR DISTANCES.
 - THE COMPLETE FIRE ALARM SYSTEM SHALL MEET ALL APPLICABLE CODES AND MANUFACTURER'S RECOMMENDATIONS.
 - CONTRACTOR SHALL COORDINATE ALL WIRE SIZES, TYPES AND REQUIREMENTS WITH THE VENDOR PRIOR TO BID. REFER TO SPECIFICATIONS TO DETERMINE CIRCUIT STYLES. FIRE ALARM WIRING SHALL BE IN CONDUIT.
 - ALL +120VAC WIRING REQUIRED FOR OPERATION OF THE SYSTEM AS DESCRIBED IN THE CONSTRUCTION DOCUMENTS SHALL BE PROVIDED BY THE ELECTRICAL CONTRACTOR.
 - ALL NECESSARY RELAYS MAY NOT BE SHOWN ON THIS PLAN, BUT WHERE REQUIRED FOR PROPER OPERATION OF THE SYSTEM THEY SHALL BE PROVIDED BY THE CONTRACTOR.
- KEYNOTES:**
- PROVIDE NOTIFICATION APPLIANCE EXTENDER PANELS AS REQUIRED. DETERMINATION OF NEED TO BE MADE BY FIRE ALARM VENDOR. REFER TO SPECIFICATIONS FOR REQUIREMENTS AND ACCEPTABLE MOUNTING LOCATIONS.
 - REFER TO SPECIFICATION FOR REQUIREMENTS OF EACH INITIATION LOOP AND WIRING STYLE. REFER TO FLOOR PLANS FOR DEVICES AND THEIR LOCATIONS.
 - REFER TO SPECIFICATION FOR REQUIREMENTS OF EACH NOTIFICATION APPLIANCE CIRCUIT AND WIRING STYLE. REFER TO FLOOR PLANS FOR DEVICES AND THEIR LOCATIONS.
 - CONNECT NEW FIRE ALARM PANEL IN THE EXISTING BUILDING TO THE PANEL IN THE NEW BUILDING. CONNECT WITH 6-STRANDS FIBER OPTIC WIRING. REFER TO TECHNOLOGY DRAWING FOR FIBER OPTIC ROUTING. COORDINATE ADDITIONAL REQUIREMENTS WITH SIMPLEX.
 - REFER TO SPECIFICATION FOR REQUIREMENTS OF EACH SPEAKER CIRCUIT AND WIRING STYLE.
 - MAIN FIRE ALARM PANEL SHALL BE PROVIDED WITH INTERNET INTERFACE.

1 FIRE ALARM OPERATION MATRIX
 NO SCALE

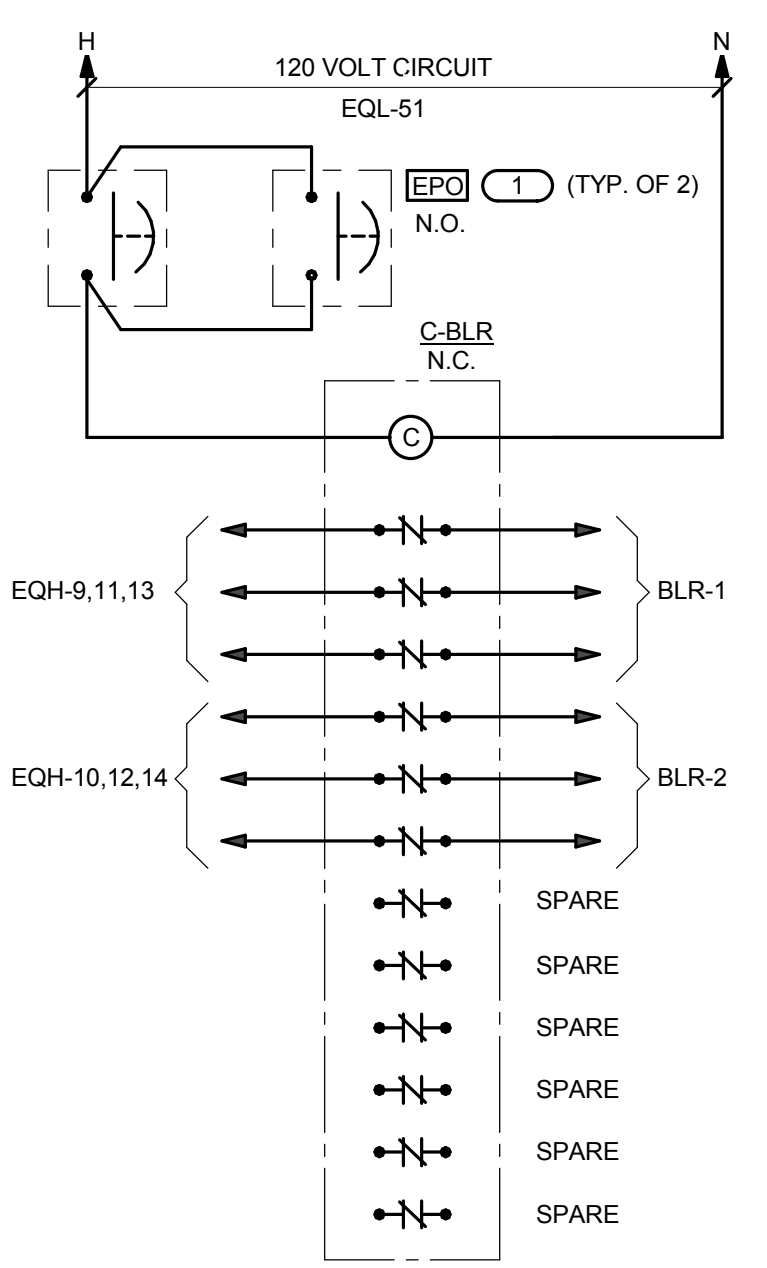
- NOTES:**
- ALL SYSTEM EVENTS SHALL BE LOGGED, PRINTED, AND DISPLAYED ON THE GRAPHICAL INTERFACE, IF APPLICABLE. REFER TO SPECIFICATIONS FOR MORE INFORMATION AND DESCRIPTIONS OF SEQUENCES OF OPERATION.
- KEYNOTES:**
- UTILIZE A GENERAL PURPOSE RELAY TO MONITOR POWER LOSS. CONNECT THE CONTACTS OF THE RELAY TO A FIRE ALARM MONITOR MODULE.



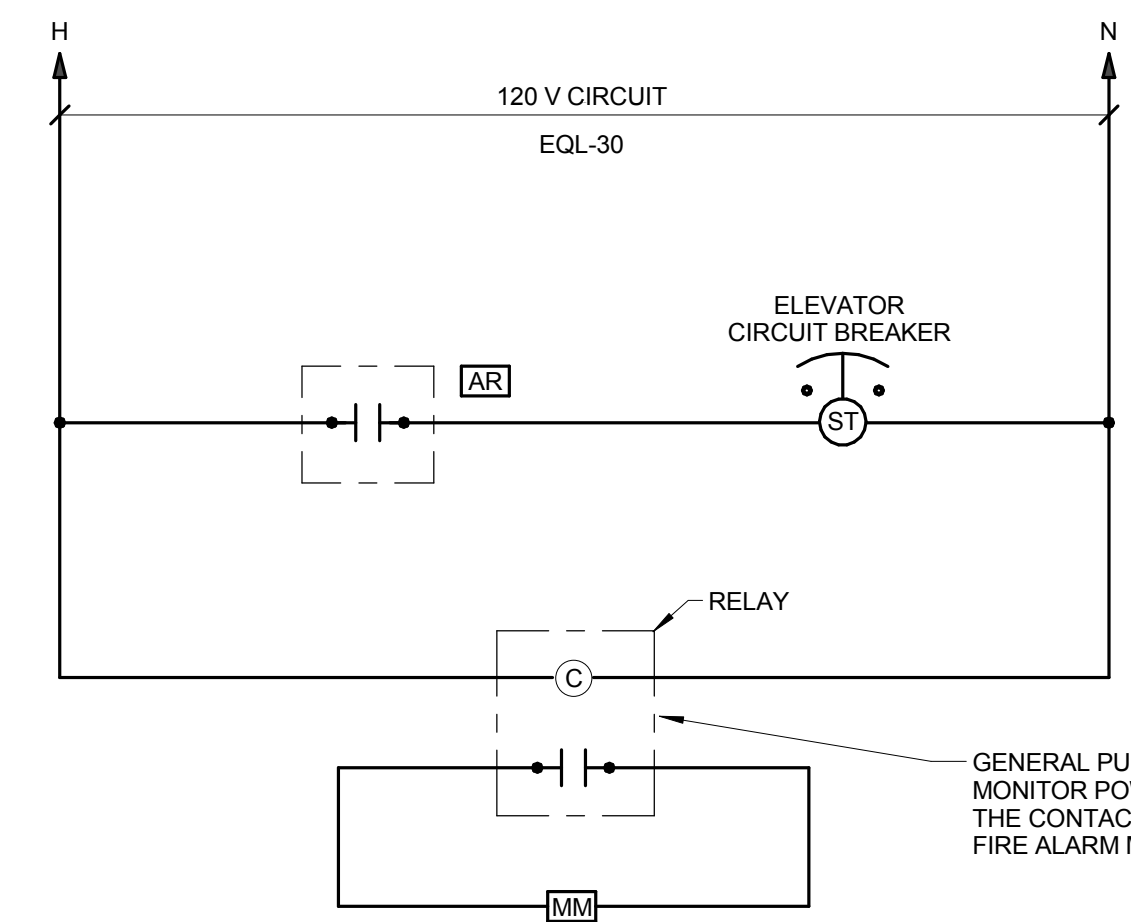
3 SMOKE DAMPER CONTROLLER
 NO SCALE

- NOTES:**
- ALL DEVICES SHOWN IN THIS DETAIL ARE TO BE PROVIDED WHERE **ARD** APPEARS ON THE DRAWINGS.

2 FIRE ALARM RISER
 NO SCALE



4 BOILER SHUT DOWN CONTROL DIAGRAM
 NO SCALE



5 ELEVATOR SHUNT TRIP WIRING DIAGRAM
 NO SCALE

KJWW ENGINEERING CONSULTANTS
 1100 WARRENVILLE ROAD, SUITE 400W
 NAPERVILLE, ILLINOIS 60563
 630.527.2320 FAX: 630.627.2321
 WWW.KJWW.COM

KJWW ENGINEERING CONSULTANTS
 1100 WARRENVILLE ROAD, SUITE 400W
 NAPERVILLE, ILLINOIS 60563
 630.527.2320 FAX: 630.627.2321
 WWW.KJWW.COM

DESIGN: DESIGN FIRM REGISTRATION #14-000773
 PROJECT # 14-0403-00
 © 2015 KJWW, P.C.

KEY PLAN:

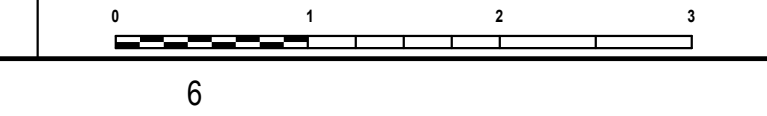
SHEET STATUS: 9/21/15
ISSUED FOR CONSTRUCTION

NO.	DESCRIPTION:	DATE:

SHEET TITLE:
ELECTRICAL DETAILS

SHEET NUMBER:

E4.01



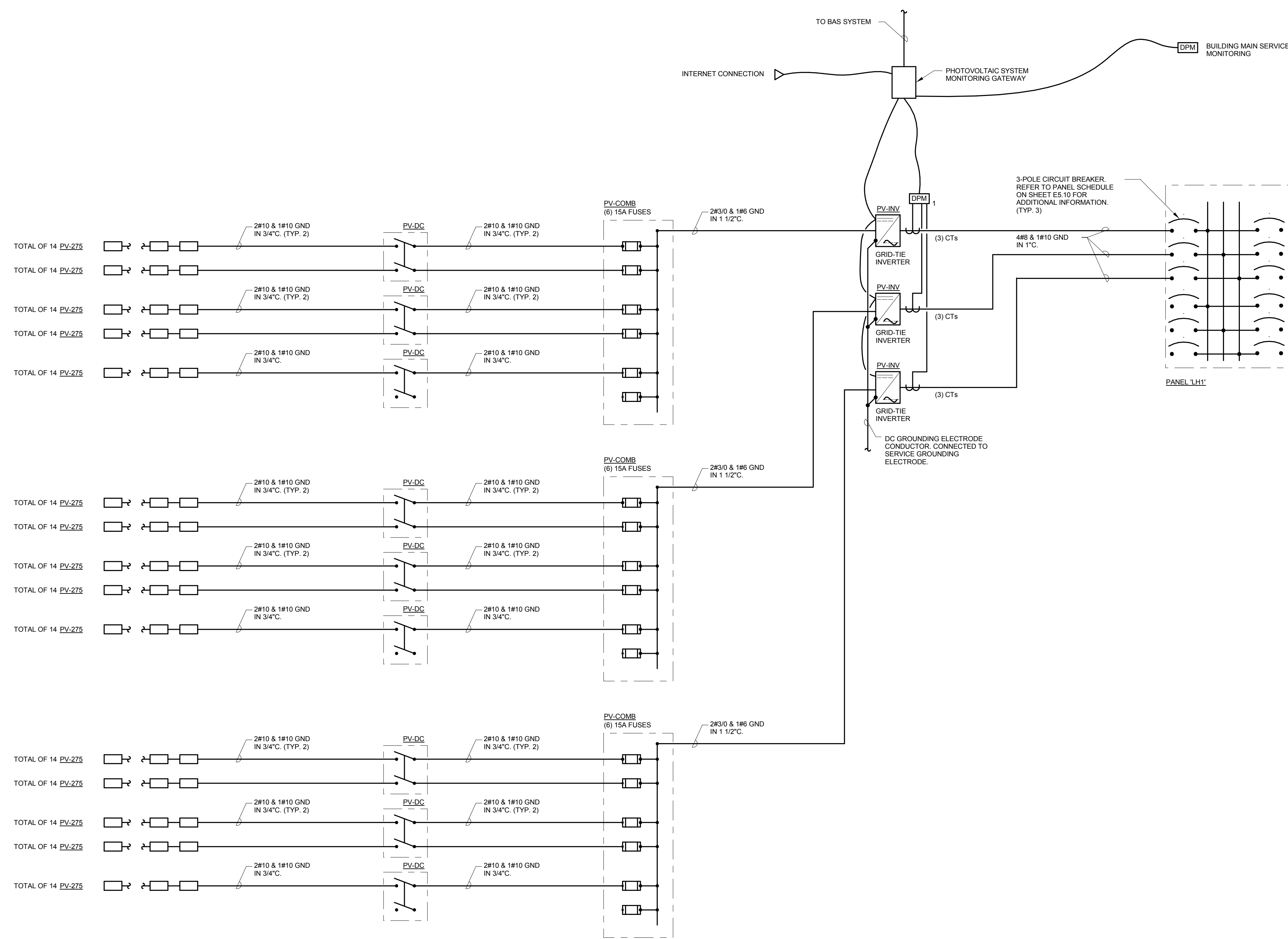


ARCHITECT OF RECORD
DEMONICA KEMPER ARCHITECTS
 125 N. HALSTED STREET, SUITE 301
 CHICAGO, IL 60661
 P: 312.496.0000

STRUCTURAL AND MEP/FP ENGINEERING
KJWW ENGINEERING CONSULTANTS
 1100 WARRENVILLE RD., SUITE 400W
 NAPERVILLE, IL 60563
 P: 630.527.2320

FOOD SERVICE CONSULTANT
CINI LITTLE INTERNATIONAL, INC.
 200 E. HOWARD AVE., SUITE 212
 DES PLAINES, IL 60018
 P: 847.298.0088

JOLIET JUNIOR COLLEGE
ROMEIOVILLE CAMPUS EXPANSION
 1125 135th ST. ROMEIOVILLE, IL 60446
 DKA PROJECT NO: 14-005



NOTES:

1. REFER TO SPECIFICATION SECTION 26 31 00 FOR ADDITIONAL INFORMATION AND REQUIREMENTS ON THE PV SYSTEM.
2. ALL COMPONENTS SHALL BE GROUNDED.
3. EACH PV-275 MODULE SHALL BE GROUNDED. GROUNDING SHALL BE PIGTAILED SO REMOVAL OF PANEL WILL NOT INTERRUPT GROUND PATH.
4. IDENTIFY ALL CONDUITS SERVING PV SYSTEM WITH 'PHOTOVOLTAIC POWER SOURCE' LABEL.
5. PROVIDE A PERMANENT PLAQUE OR DIRECTORY SHOW ALL ELECTRIC POWER SOURCES ON THE PREMISES AT THE SERVICE ENTRANCE EQUIPMENT.

1 GRID-TIE STRING INVERTER SYSTEM ONE LINE DIAGRAM
 NO SCALE

KJWW ENGINEERING CONSULTANTS
 1100 WARRENVILLE ROAD, SUITE 400W
 NAPERVILLE, IL 60563
 630.527.2320 FAX: 630.527.2321
 WWW.KJWW.COM
 THE FUTURE IS SMARTER!
 Project # 14-005-00
 Illinois Design Firm Registration #18-00873

KJWW ENGINEERING RESERVES PROPRIETARY RIGHTS, INCLUDING COPYRIGHTS, TO THIS DRAWING AND THE DATA SHOWN THEREON. SAID DRAWING AND/OR DATA ARE THE EXCLUSIVE PROPERTY OF KJWW ENGINEERING AND SHALL NOT BE USED OR REPRODUCED FOR ANY OTHER PROJECT WITHOUT THE EXPRESS WRITTEN APPROVAL AND PARTICIPATION OF KJWW ENGINEERING. © 2015 KJWW, P.C.

REFERENCE SCALE IN INCHES
 0 1 2 3

SHEET STATUS: 9/21/15

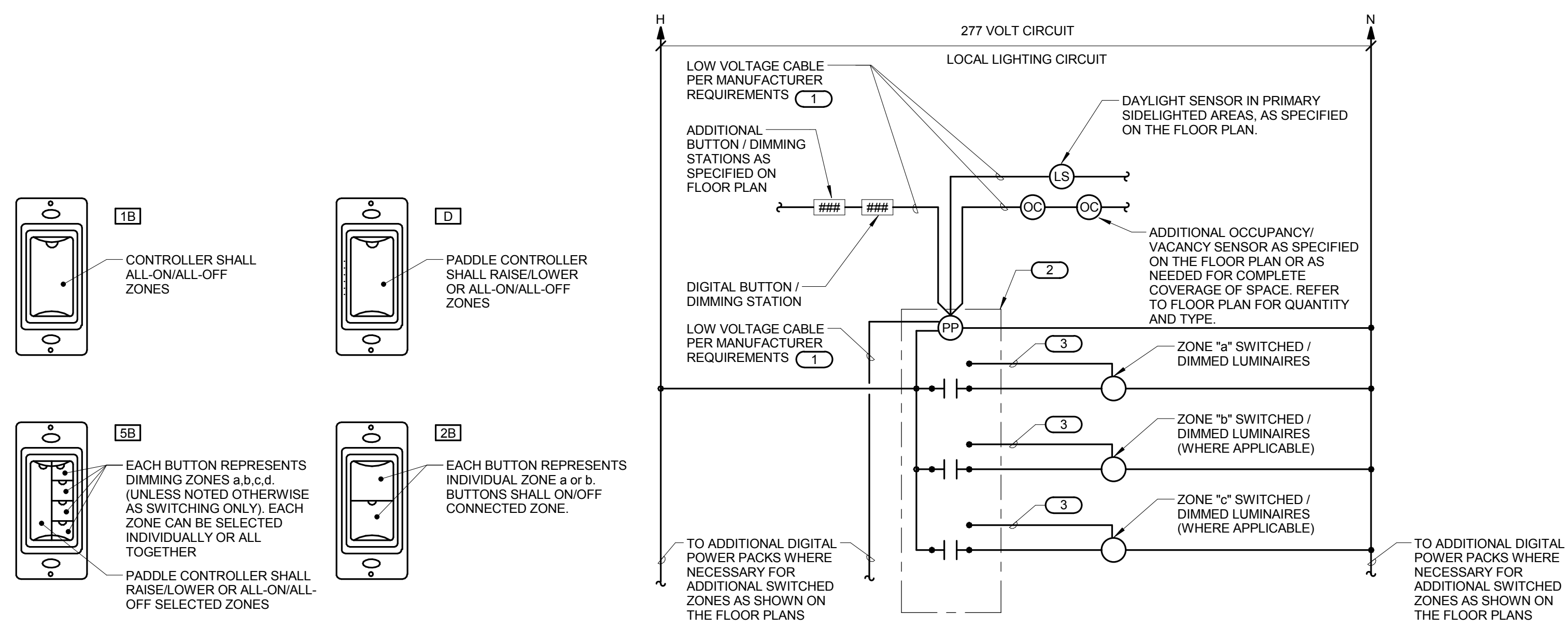
ISSUED FOR CONSTRUCTION

NO.	DESCRIPTION:	DATE:

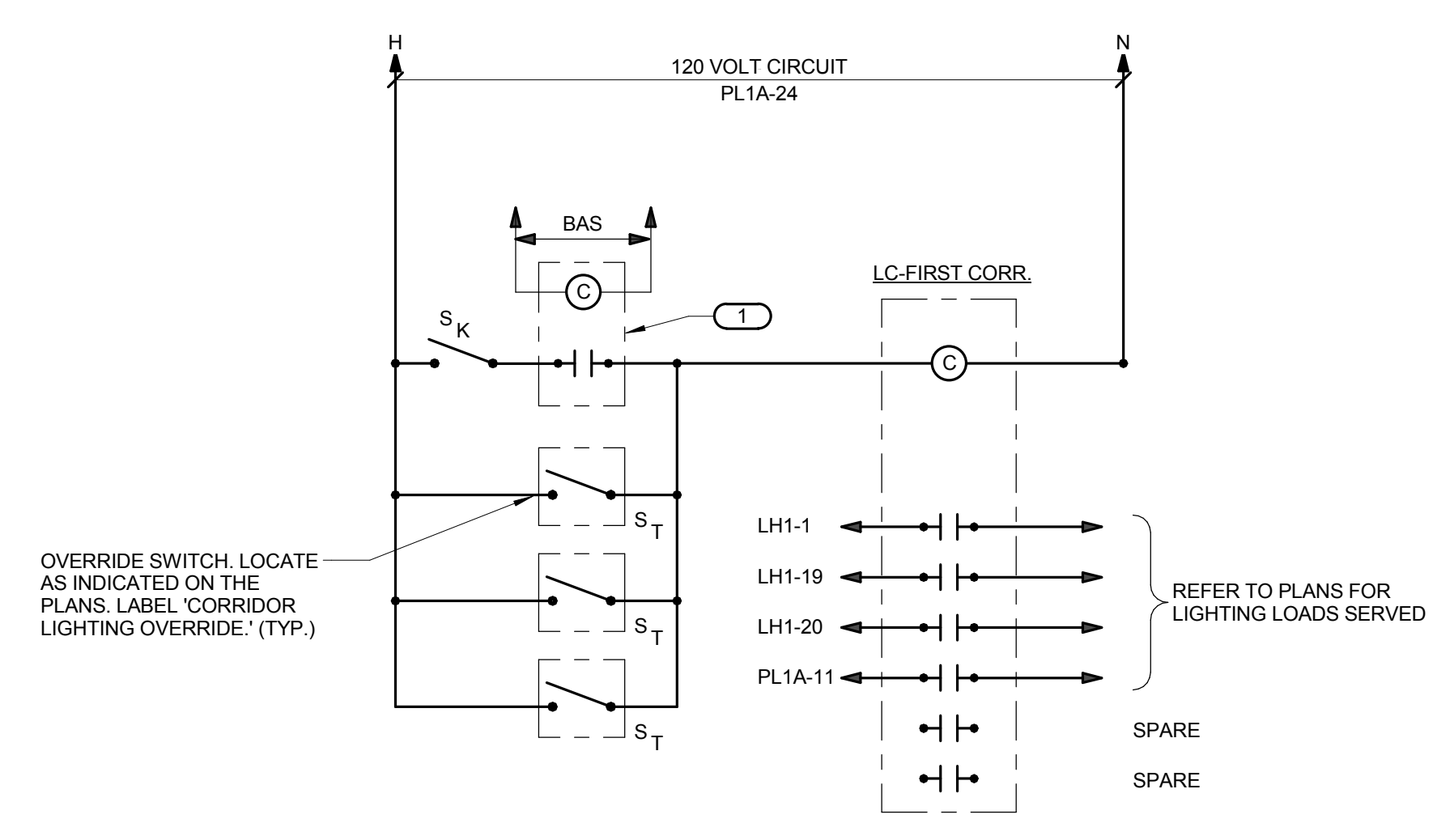
SHEET TITLE:
ELECTRICAL DETAILS

SHEET NUMBER:
E4.02

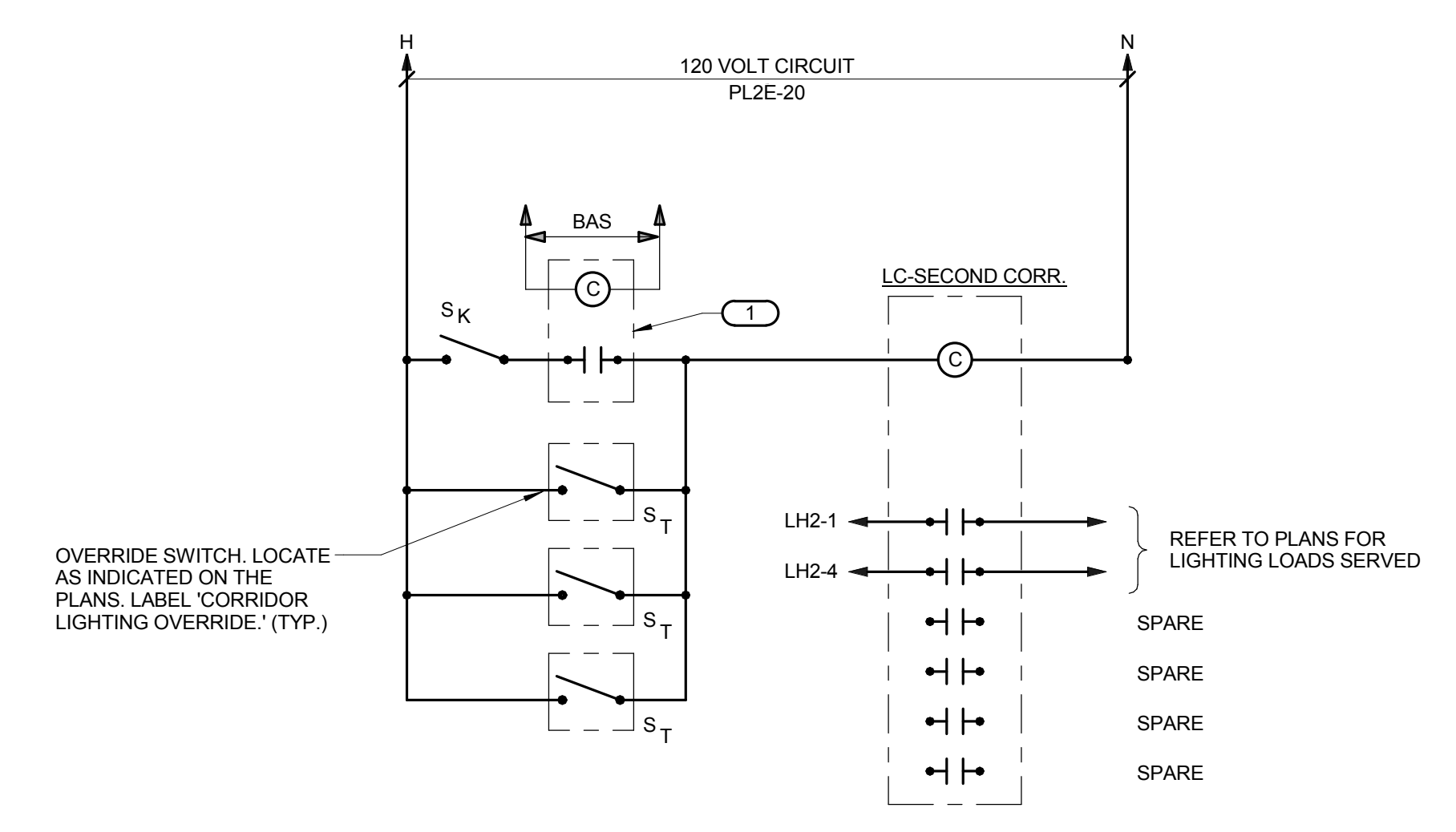
NO.	DESCRIPTION:	DATE:



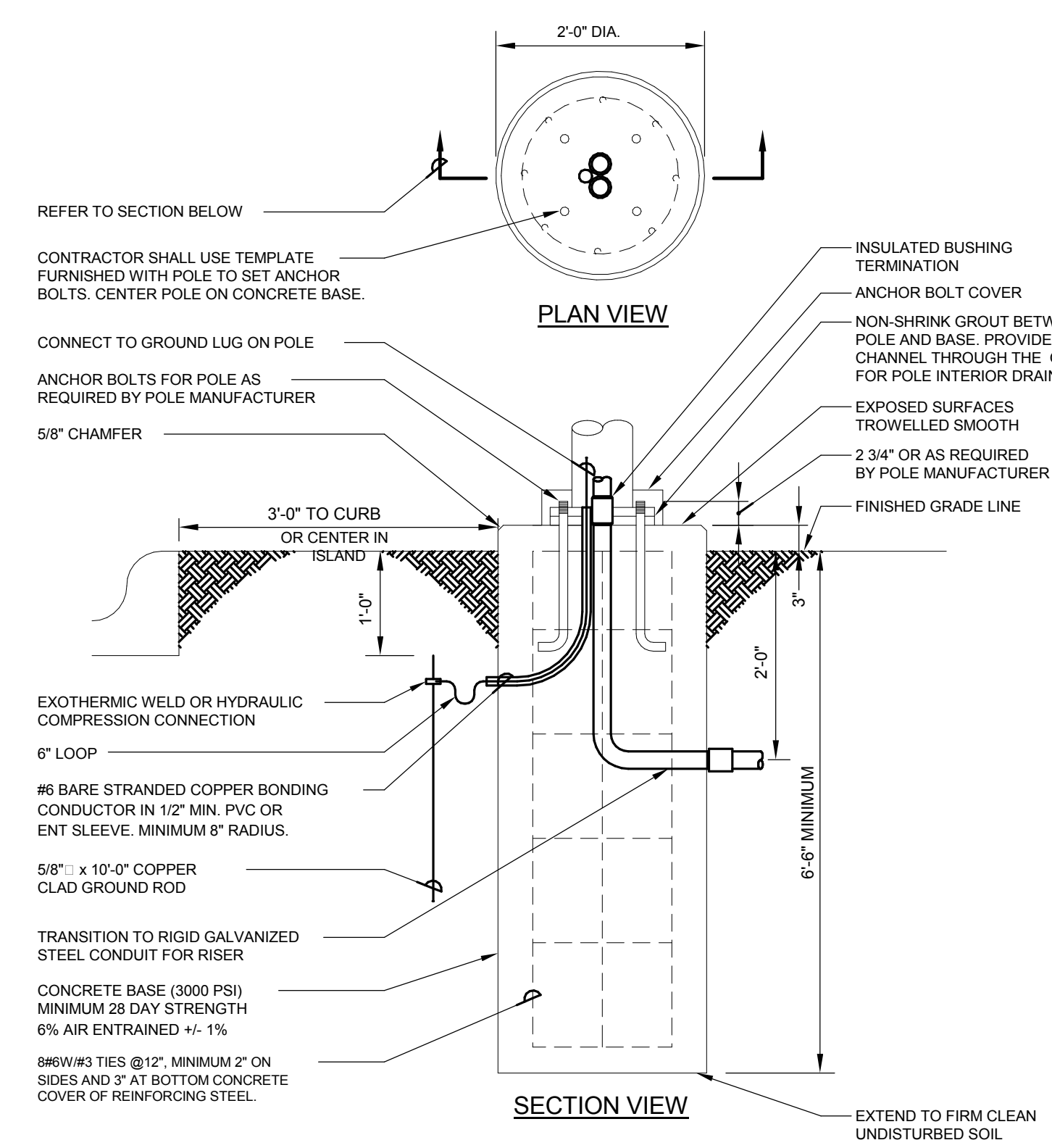
1 GENERAL OCCUPANCY / VACANCY SENSOR LIGHTING CONTROL DIAGRAM
 NO SCALE
KEYNOTES:
 1 LOW VOLTAGE DEVICES SHALL HAVE THE ABILITY TO BE DAISY-CHAINED USING LOW VOLTAGE CABLE TO CONNECT MULTIPLE DEVICES.
 2 LOCATE DIGITAL POWER PACK ABOVE ACCESSIBLE CEILING. PROVIDE APPROPRIATE TYPE DEPENDING ON LOAD SERVED (ON-OFF OR DIMMING). PROVIDE QUANTITY AS REQUIRED PER QUANTITY OF ZONES IN THE FLOOR PLAN.
 3 0-10V DIMMING CONTROL WIRING WHERE APPLICABLE.



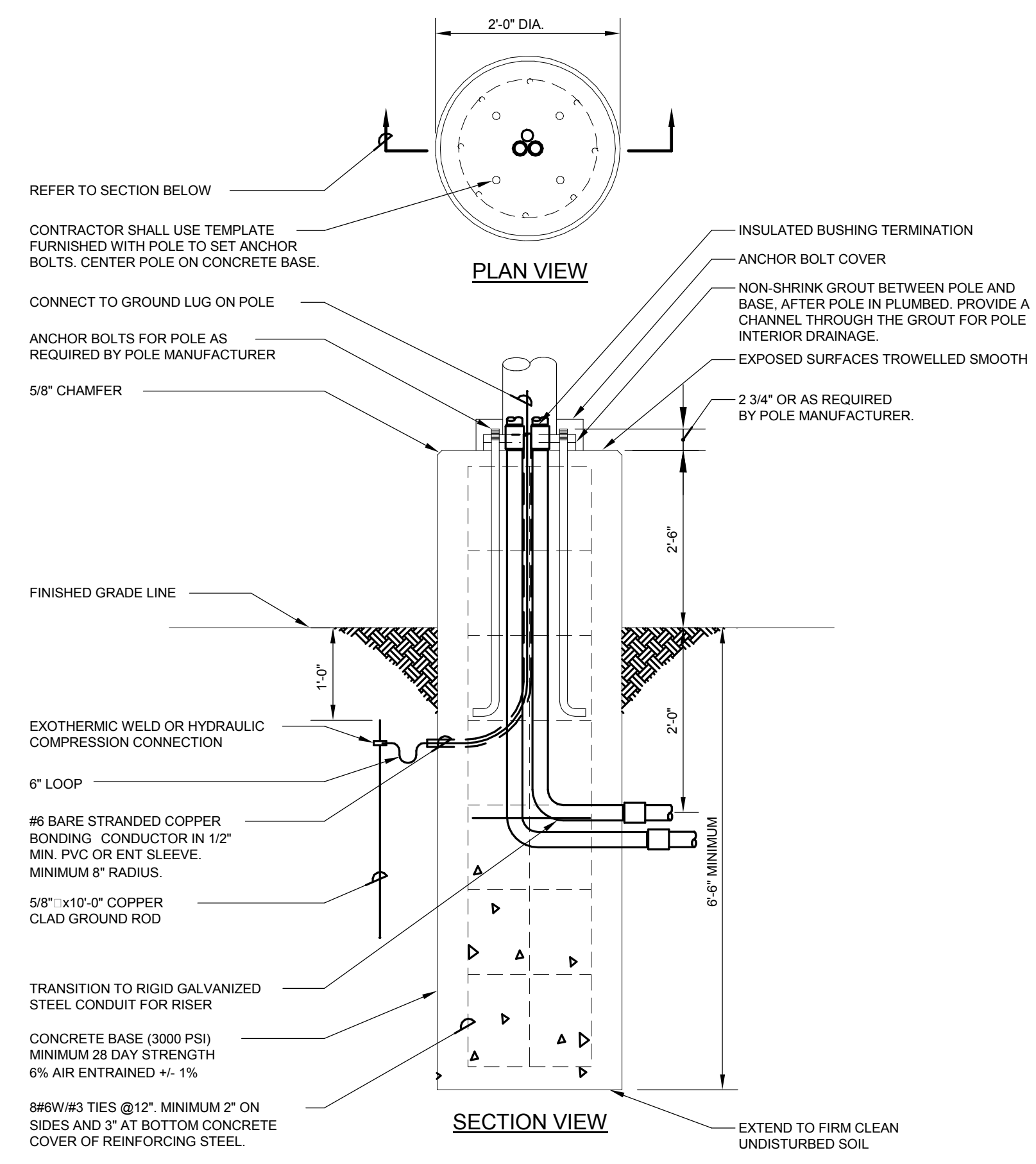
2 FIRST FLOOR CORRIDOR LIGHTING CONTROL DIAGRAM
 12" = 1'-0"
KEYNOTES:
 1 RELAY CONTROLLED BY BUILDING AUTOMATION SYSTEM. PROVIDE RELAY COMPATIBLE TO THE BUILDING AUTOMATION SYSTEM. COORDINATE WITH M.C. FOR ADDITIONAL INFORMATION.



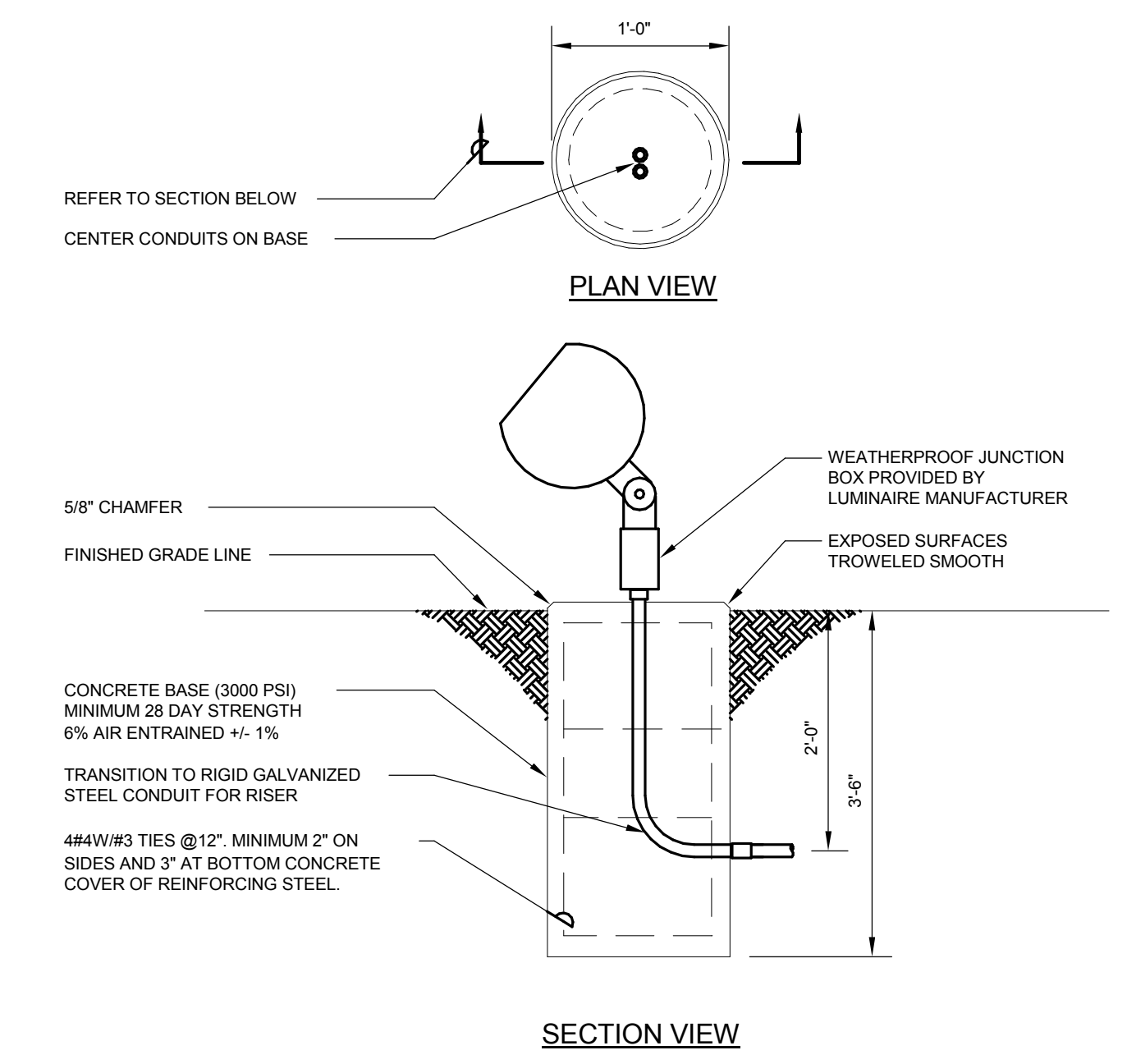
3 SECOND FLOOR CORRIDOR LIGHTING CONTROL DIAGRAM
 12" = 1'-0"
KEYNOTES:
 1 RELAY CONTROLLED BY BUILDING AUTOMATION SYSTEM. PROVIDE RELAY COMPATIBLE TO THE BUILDING AUTOMATION SYSTEM. COORDINATE WITH M.C. FOR ADDITIONAL INFORMATION.



4 POLE BASE DETAIL
 NO SCALE



5 EXTENDED POLE BASE DETAIL
 NO SCALE



6 GROUND MOUNT BASE DETAIL
 NO SCALE



ARCHITECT OF RECORD
DEMIONA KEMPER ARCHITECTS
 125 N. HALSTED STREET, SUITE 301
 CHICAGO, IL 60661
 P: 312.496.0000

STRUCTURAL AND MEP/FP ENGINEERING
KJWW ENGINEERING CONSULTANTS
 1100 WARRENVILLE RD., SUITE 400W
 NAPERVILLE, IL 60563
 P: 630.527.2320

FOOD SERVICE CONSULTANT
CINI LITTLE INTERNATIONAL, INC.
 200 E. HOWARD AVE., SUITE 212
 DES PLAINES, IL 60018
 P: 847.298.0088

JOLIET JUNIOR COLLEGE
ROMEORVILLE CAMPUS EXPANSION
 1125 135th ST. ROMEORVILLE, IL 60446
 DKA PROJECT NO: 14-005

KEY PLAN:

SHEET STATUS: 9/21/15
ISSUED FOR CONSTRUCTION

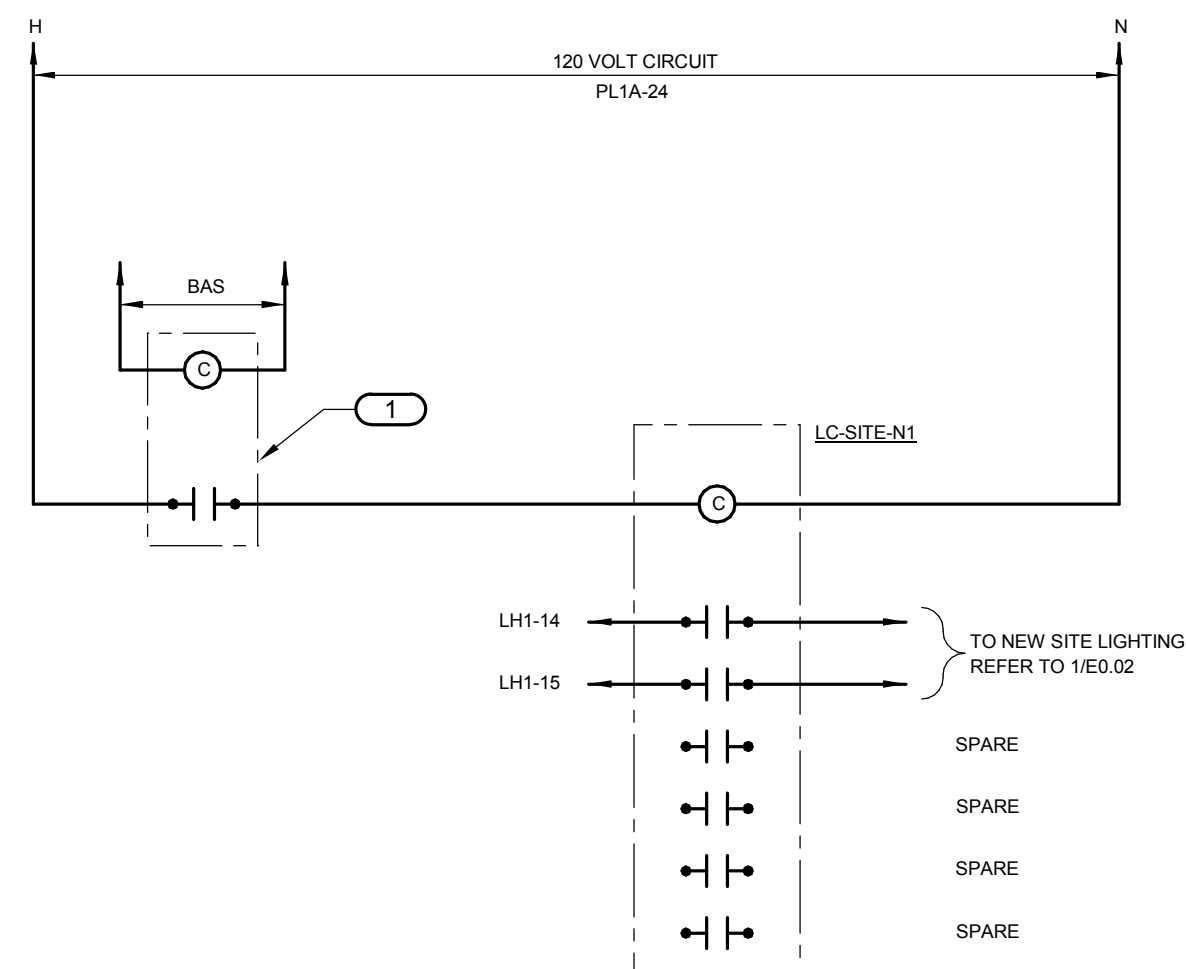
NO.	DESCRIPTION:	DATE:

SHEET TITLE:

ELECTRICAL DETAILS

SHEET NUMBER:

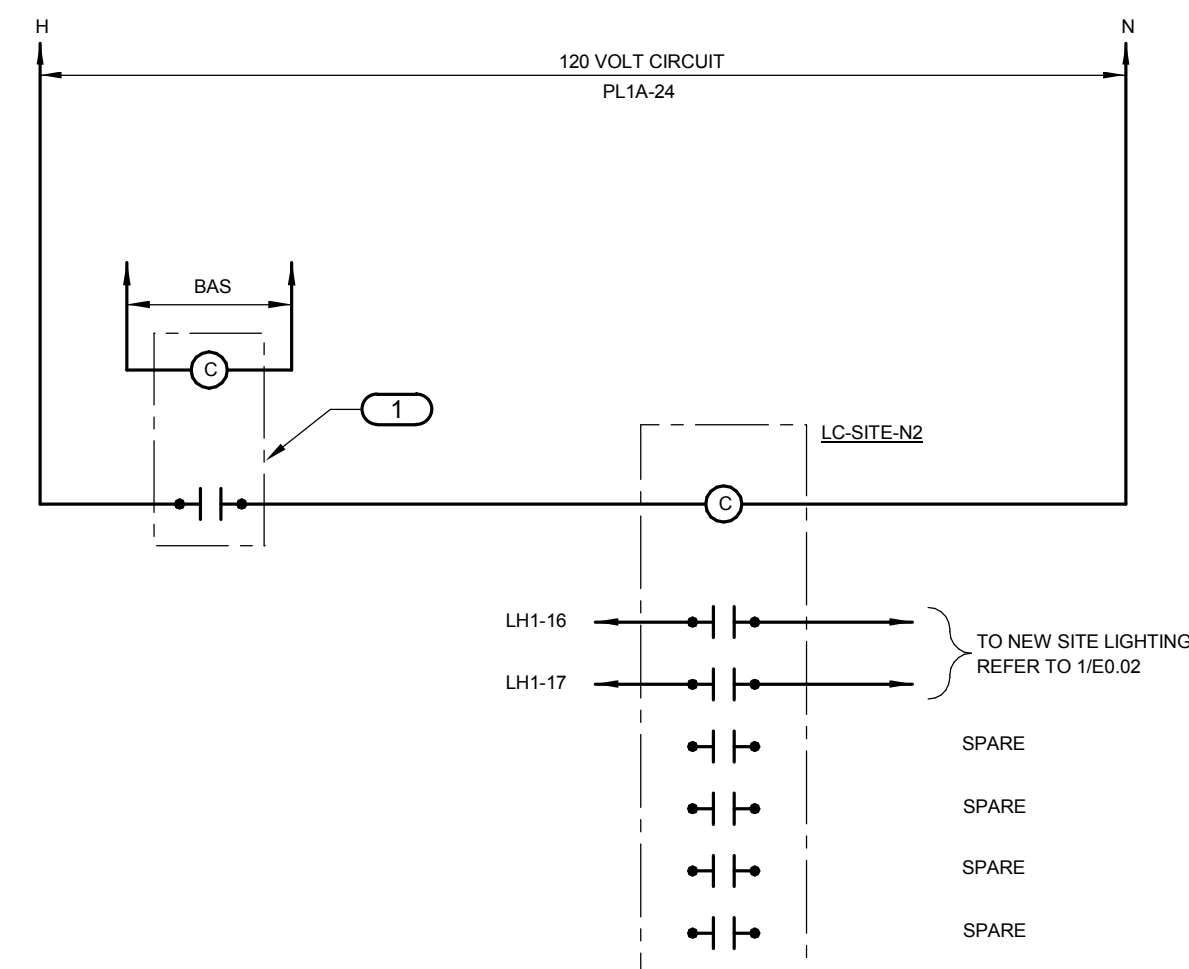
E4.05



1 NORTH PARKING LOT EXTERIOR LIGHTING CONTROL WIRING DIAGRAM
 NO SCALE

KEYNOTES:

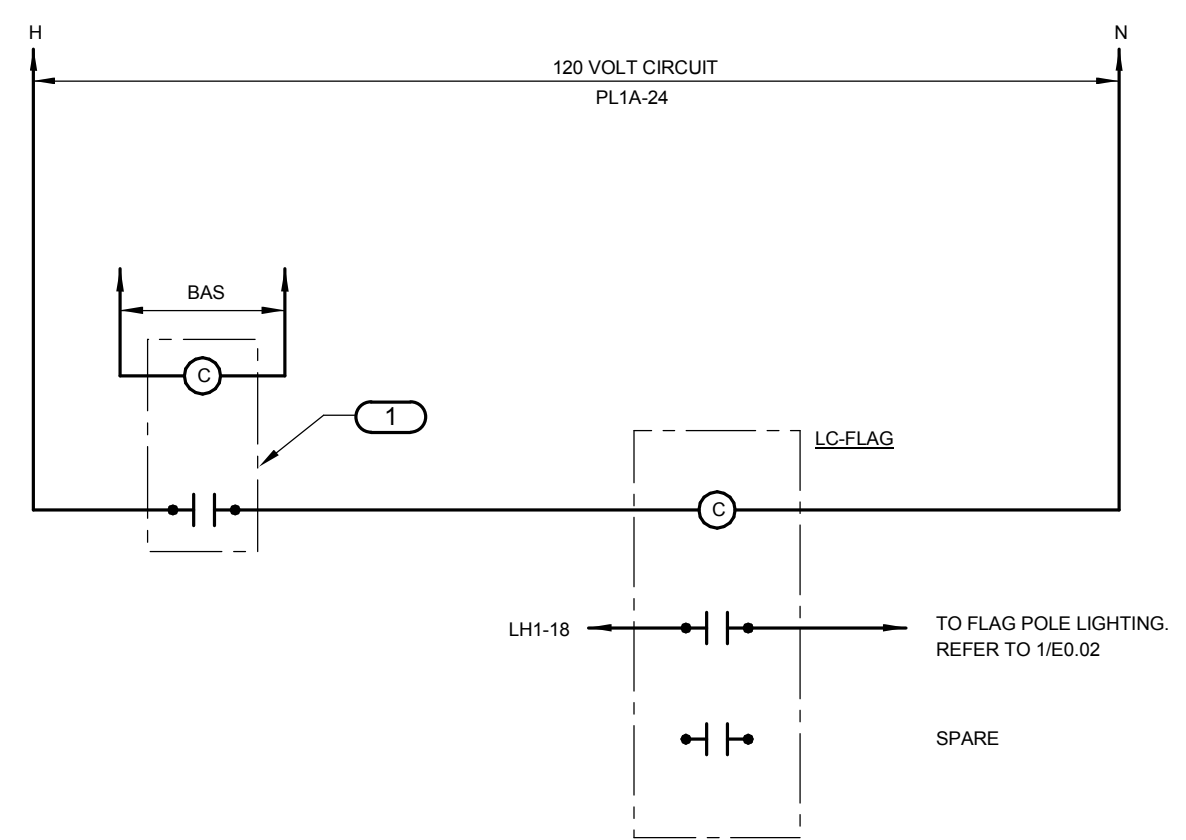
1 RELAY CONTROLLED BY BUILDING AUTOMATION SYSTEM. PROVIDE RELAY COMPATIBLE TO THE BUILDING AUTOMATION SYSTEM. COORDINATE WITH M.C. FOR ADDITIONAL INFORMATION.



2 NORTH RING ROAD EXTERIOR LIGHTING CONTROL WIRING DIAGRAM
 NO SCALE

KEYNOTES:

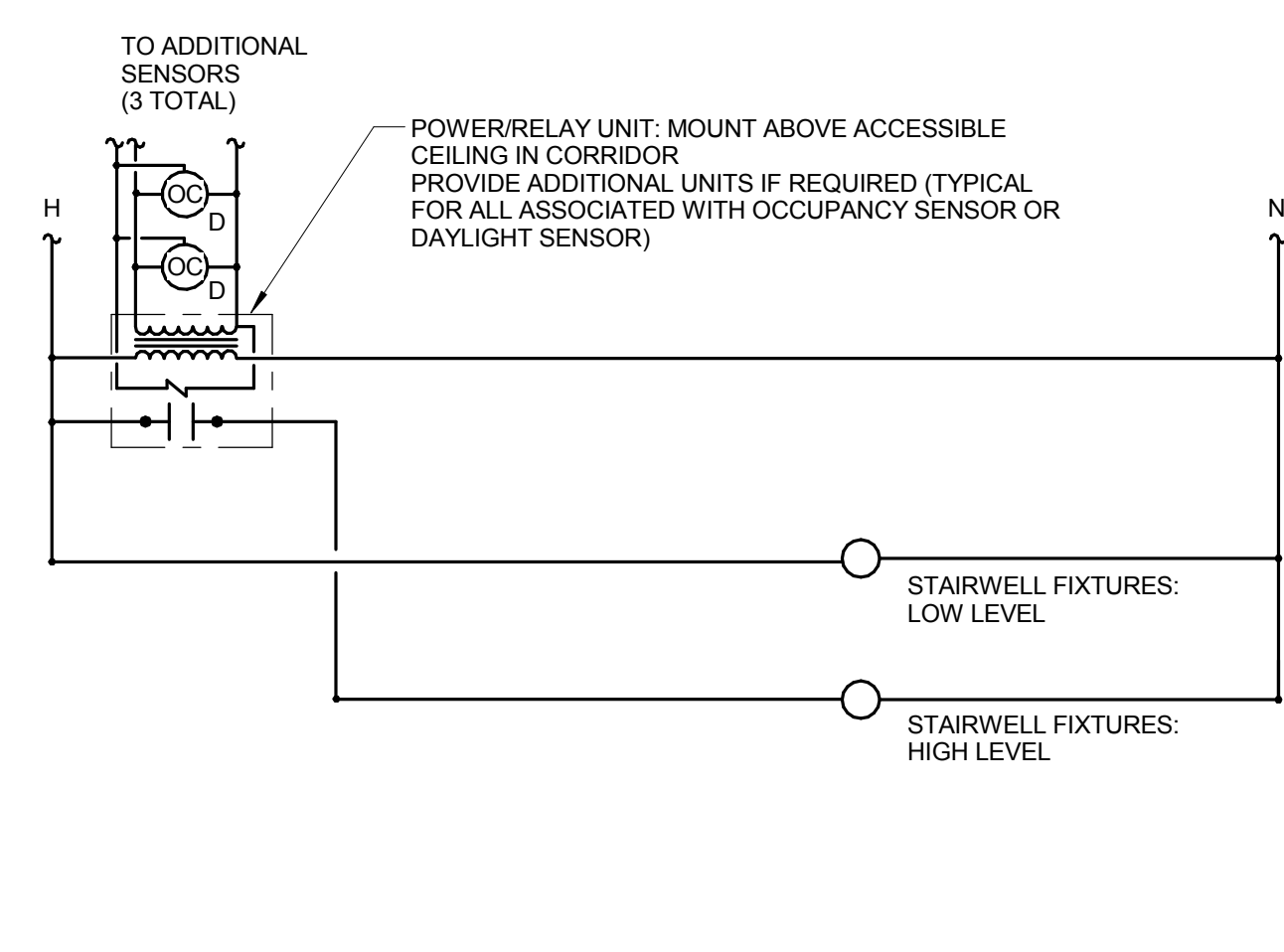
1 RELAY CONTROLLED BY BUILDING AUTOMATION SYSTEM. PROVIDE RELAY COMPATIBLE TO THE BUILDING AUTOMATION SYSTEM. COORDINATE WITH M.C. FOR ADDITIONAL INFORMATION.



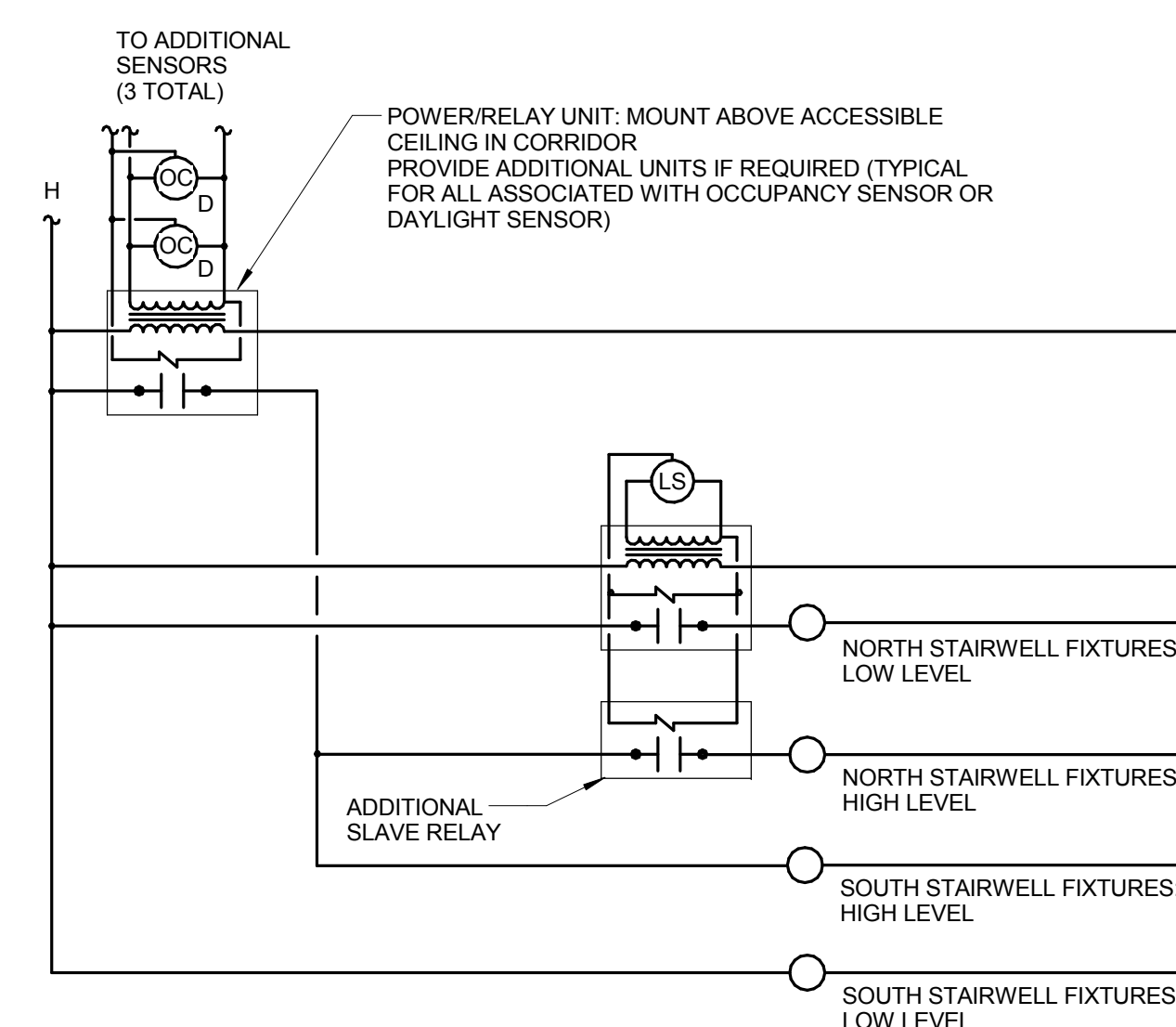
3 FLAG POLE EXTERIOR LIGHTING CONTROL WIRING DIAGRAM
 NO SCALE

KEYNOTES:

1 RELAY CONTROLLED BY BUILDING AUTOMATION SYSTEM. PROVIDE RELAY COMPATIBLE TO THE BUILDING AUTOMATION SYSTEM. COORDINATE WITH M.C. FOR ADDITIONAL INFORMATION.



4 GENERAL STAIR LIGHTING CONTROL DIAGRAM
 NO SCALE



5 STAIR 1102/2101 WIRING DIAGRAM
 NO SCALE

EXISTING PANEL: SL-1

TYPE: BOLT-ON MAIN: 200A/3P CB
 MOUNTING: SURFACE SOLID NEUTRAL VOLTS: 480Y/277
 FED FROM: MDP GROUND BUS PHASE: 3
 SCOR: WIRE: 4

NOTES: EXISTING PANEL ANY ADDITIONS SHALL MATCH MANUFACTURER AND RATING

CT	NO.	LOAD DESCRIPTION	WIRE SIZE	LOAD KVA	BREAKER AMP	BREAKER P	BREAKER R	LOAD WIRE SIZE	LOAD DESCRIPTION	CT NO.
1		SPACE			20	1	20	1	EXISTING LOAD	2
3		EXISTING LOAD			20	1	20	1	EXISTING LOAD	4
5		SPACE			20	1	20	1	EXISTING LOAD	6
7		EXISTING LOAD			20	1	20	1	EXISTING LOAD	8
9		SPACE			20	1	1.7	8	5.S2, 5.S3	10
11		EXISTING LOAD			20	1	20	1	0.9	10
13		SPACE							SPACE	12
15		EXISTING LOAD			20	1			SPACE	14
17		SPACE							SPACE	16
19		SPACE			20	1			SPACE	18
21		SPACE							SPACE	20
23		SPACE							SPACE	22
25		SPACE							SPACE	24
27		SPACE							SPACE	26
29		SPACE							SPACE	28
30		SPACE							SPACE	30

KEY: "C" THRU CONTACTOR

4 SOUTH PARKING LOT EXTERIOR LIGHTING CONTROL WIRING DIAGRAM
 NO SCALE

KJWW ENGINEERING CONSULTANTS
 1100 WARRENVILLE ROAD, SUITE 400W
 NAPERVILLE, IL 60563
 630.527.2320 FAX: 630.527.2321
 WWW.KJWW.COM

DESIGNER: PROJECT # 14-043-00
 DESIGNER: PROJECT # 14-043-00

KJWW ENGINEERING RESERVES PROPRIETARY RIGHTS, INCLUDING COPYRIGHTS, TO THIS DRAWING AND THE DATA THEREON. THIS DRAWING AND/OR DATA ARE THE EXCLUSIVE PROPERTY OF KJWW ENGINEERING AND SHALL NOT BE USED OR REPRODUCED FOR ANY OTHER PROJECT WITHOUT THE EXPRESS WRITTEN APPROVAL AND PARTICIPATION OF KJWW ENGINEERING. © 2015 KJWW, P.C.

REFERENCE SCALE IN INCHES
 0 1 2 3

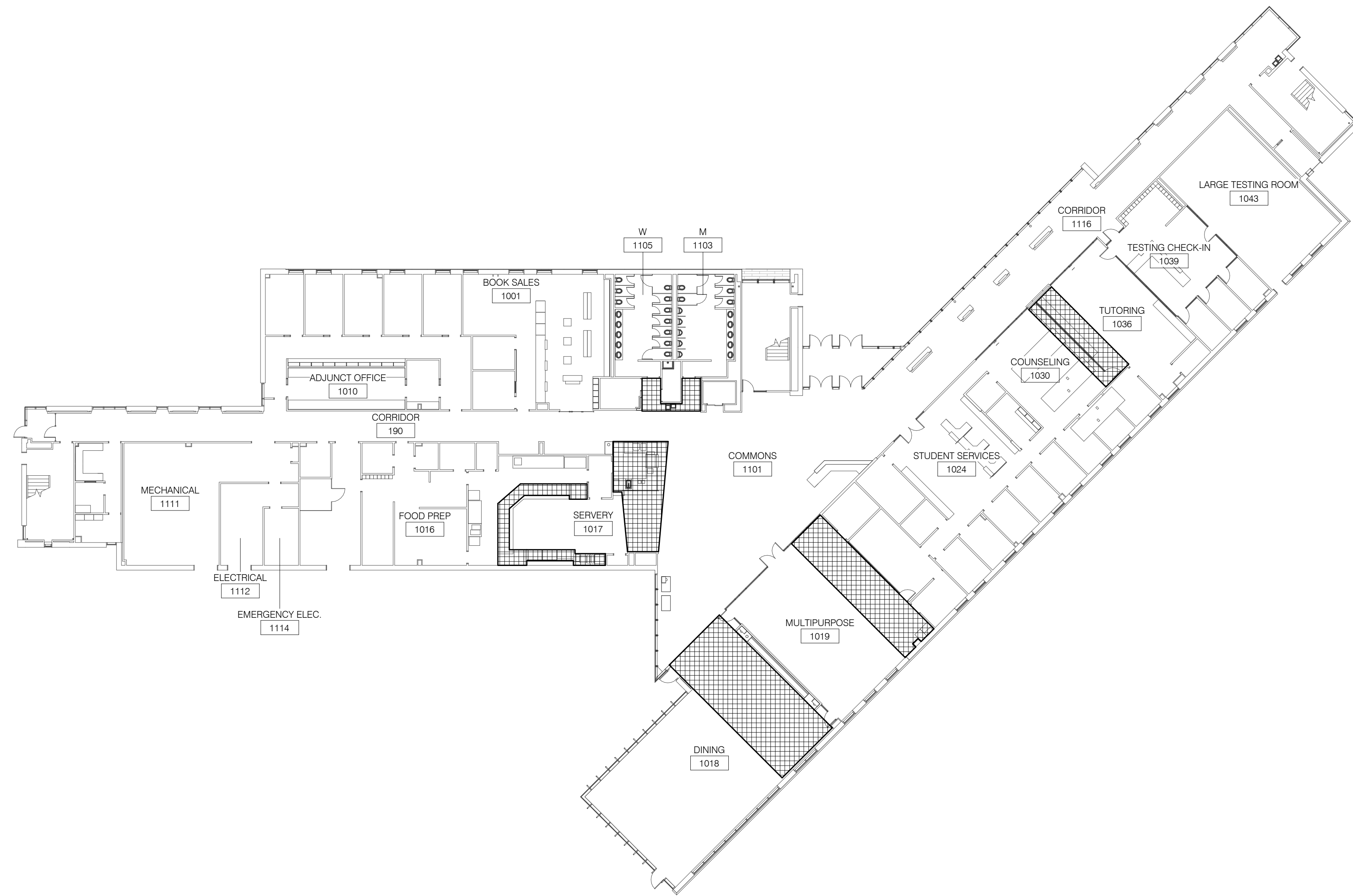


ARCHITECT OF RECORD
DEMONICA KEMPER ARCHITECTS
 125 N. HALSTED STREET, SUITE 301
 CHICAGO, IL 60661
 P: 312.496.0000

STRUCTURAL AND MEP/FP ENGINEERING
KJWW ENGINEERING CONSULTANTS
 1100 WARRENVILLE RD., SUITE 400W
 NAPERVILLE, IL 60563
 P: 630.527.2320

FOOD SERVICE CONSULTANT
CINI LITTLE INTERNATIONAL, INC.
 200 E. HOWARD AVE., SUITE 212
 DES PLAINES, IL 60018
 P: 847.298.0088

**JOLIET JUNIOR COLLEGE
 ROMEOVILLE CAMPUS EXPANSION**
 1125 135th ST. ROMEOVILLE, IL 60446
 DKA PROJECT NO: 14-005

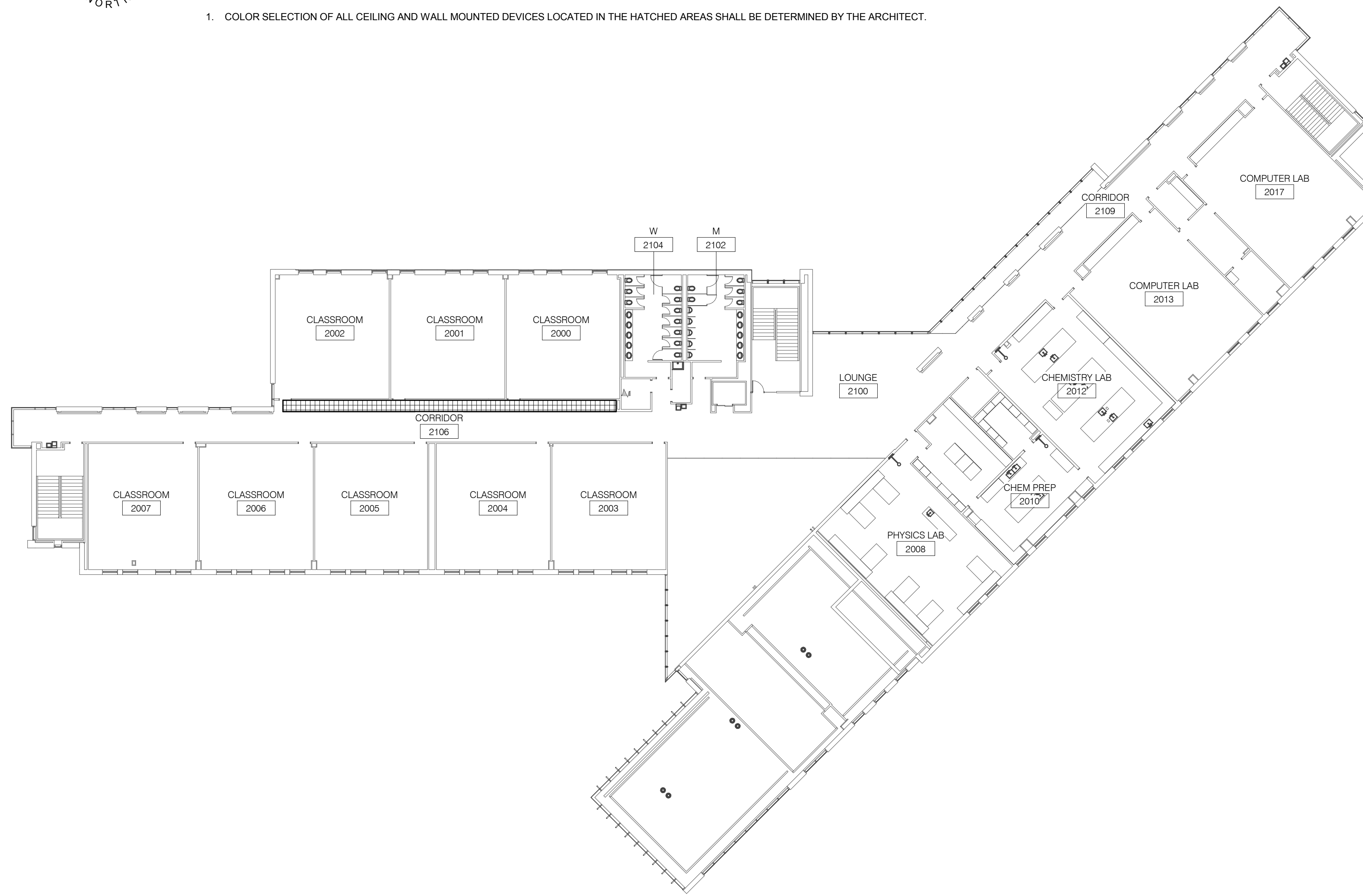


1 LEVEL 1 PLAN - AREAS REQUIRING CUSTOM COLOR DEVICES

1" = 20'-0"

NOTES:

- COLOR SELECTION OF ALL CEILING AND WALL MOUNTED DEVICES LOCATED IN THE HATCHED AREAS SHALL BE DETERMINED BY THE ARCHITECT.



2 LEVEL 2 PLAN - AREAS REQUIRING CUSTOM COLOR DEVICES

1" = 20'-0"

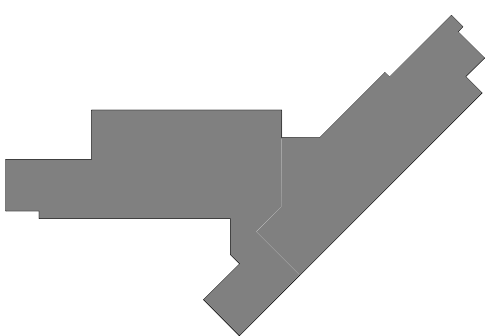
NOTES:

- COLOR SELECTION OF ALL CEILING AND WALL MOUNTED DEVICES LOCATED IN THE HATCHED AREAS SHALL BE DETERMINED BY THE ARCHITECT.

KJWW ENGINEERING CONSULTANTS
 1100 WARRENVILLE ROAD, SUITE 400W
 NAPERVILLE, IL 60563
 630.527.2320 FAX: 630.527.2321
 WWW.KJWW.COM
 THE FUTURE IS SMARTER!
 PROJECT # 14-0403.00
 Illinois Design Firm Registration #18-008773
 KJWW ENGINEERING RESERVES PROPRIETARY RIGHTS, INCLUDING COPYRIGHTS, TO THIS DRAWING AND THE DATA SHOWN THEREON. SAID DRAWING AND/OR DATA ARE THE EXCLUSIVE PROPERTY OF KJWW ENGINEERING AND SHALL NOT BE USED OR REPRODUCED FOR ANY OTHER PROJECT WITHOUT THE EXPRESS WRITTEN APPROVAL AND PARTICIPATION OF KJWW ENGINEERING. © 2015 KJWW, P.C.

REFERENCE SCALE IN INCHES
 0 1 2 3

KEY PLAN:



SHEET STATUS: 9/21/15
ISSUED FOR CONSTRUCTION

NO.	DESCRIPTION:	DATE:

SHEET TITLE:
ELECTRICAL DETAILS

SHEET NUMBER:
E4.06



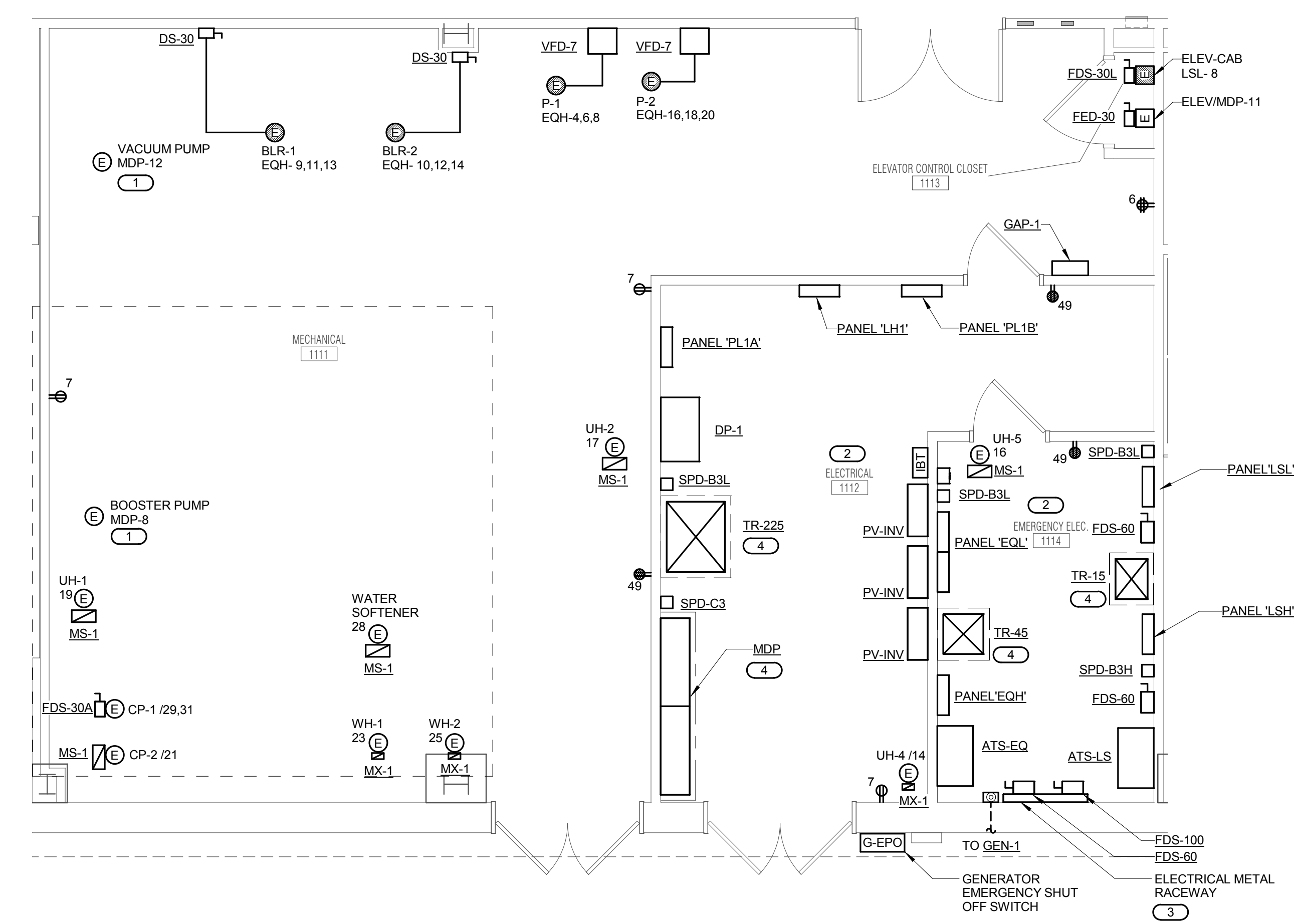
ARCHITECT OF RECORD
DEMONICA KEMPER ARCHITECTS
 125 N. HALSTED STREET, SUITE 301
 CHICAGO, IL 60661
 P: 312.496.0000

STRUCTURAL AND MEP/FP ENGINEERING
KJWW ENGINEERING CONSULTANTS
 1100 WARRENVILLE RD., SUITE 400W
 NAPERVILLE, IL 60563
 P: 630.527.2320

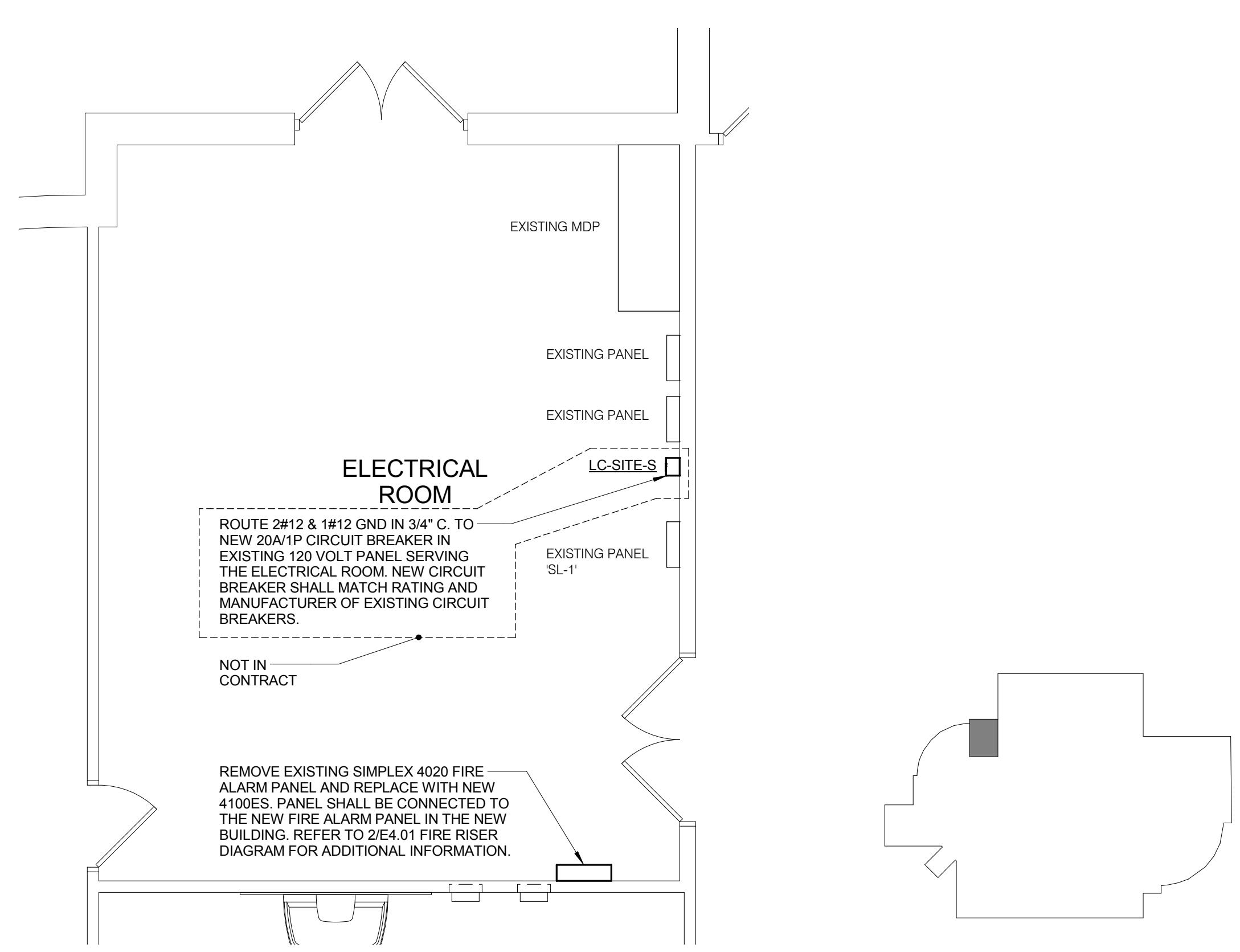
FOOD SERVICE CONSULTANT
CINI LITTLE INTERNATIONAL, INC.
 200 E. HOWARD AVE., SUITE 212
 DES PLAINES, IL 60018
 P: 847.298.0088

JOLIET JUNIOR COLLEGE
ROMEOWILLE CAMPUS EXPANSION
 1125 135th ST. ROMEOWILLE, IL 60446
 DKA PROJECT NO: 14-005

- GENERAL SHEET NOTES**
- REFER TO SHEET E0.00 FOR GENERAL ELECTRICAL NOTES, ELECTRICAL INSTALLATION NOTES AND ELECTRICAL SYMBOL LIST.
 - REFER TO SHEETS E8.00 AND E8.01 FOR ELECTRICAL ONE LINE DIAGRAM.
 - REFER TO SHEETS E5.10 AND E5.11 FOR PANEL SCHEDULES.
 - REFER TO 3/E4.00 FOR FIRE BARRIER PENETRATION DETAIL.
 - REFER TO 6/E4.00 FOR SIDE BY SIDE DEVICE OPENING DETAIL.
 - REFER TO E5.02 FOR TRANSFORMER, TRANSFER SWITCH, VFD, CONTACTOR, AND DISCONNECT AND STARTER SCHEDULES.
 - COORDINATE EXACT LOCATION AND MOUNTING HEIGHT OF ALL DEVICES WITH THE ARCHITECT AND ARCHITECTURAL DRAWINGS PRIOR TO INSTALLATION.

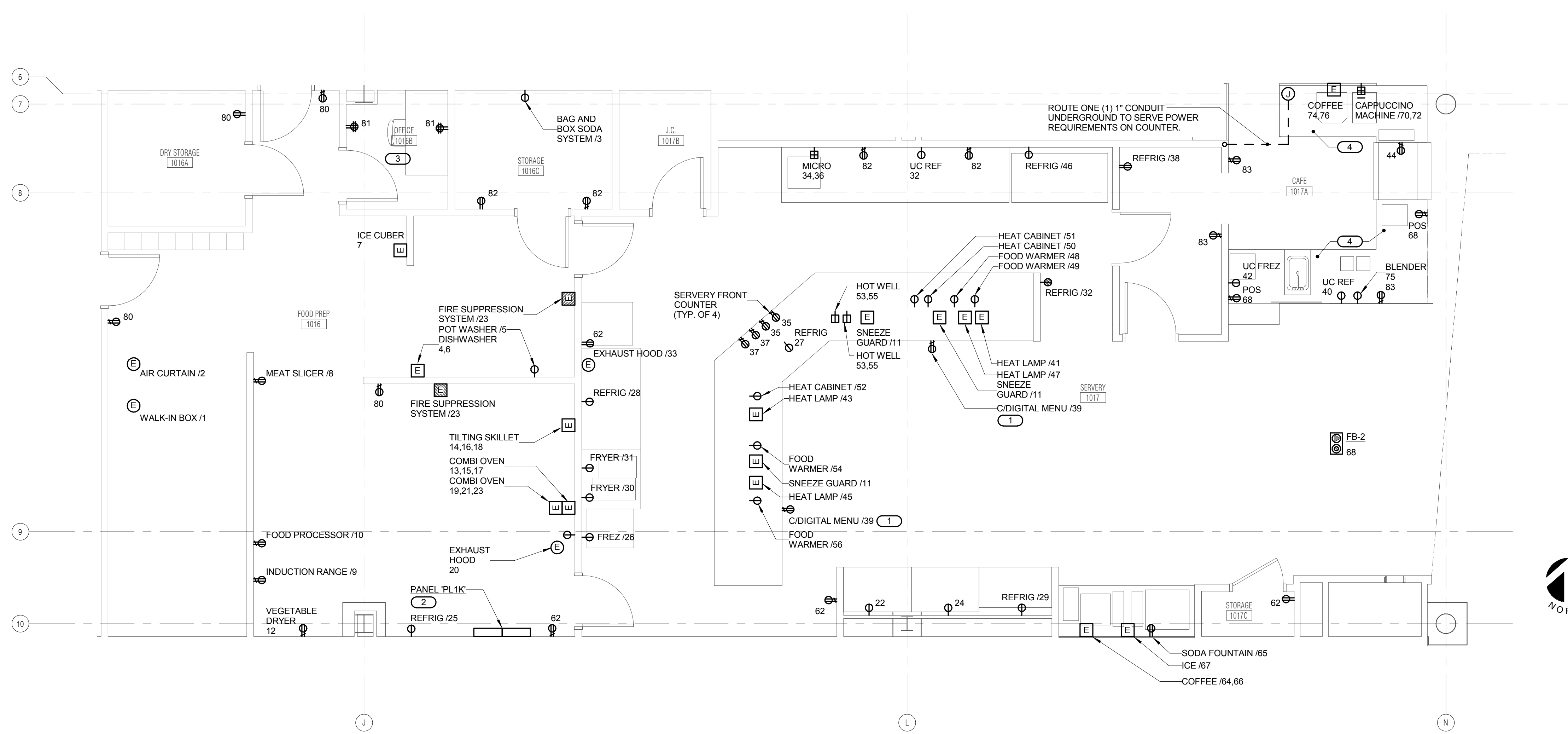


- NOTES:**
- DEVICES AND ELECTRICAL CONNECTIONS WITHIN THIS DETAIL SHALL BE CIRCUITED TO PANEL 'PL1A', UNLESS NOTED OTHERWISE.
- KEYNOTE:**
- CONNECT TO MANUFACTURER PROVIDED DISCONNECT.
 - PROVIDE ELECTRICAL EQUIPMENT IN ROOM WITH REQUIRED CLEARANCES PER NEC. REFER TO 1/E4.00 FOR ADDITIONAL INFORMATION.
 - SIZE AS REQUIRED PER QUANTITY AND CONDUCTOR SIZE. INCLUDE COUPLINGS, ELBOWS, ADAPTERS, END CAPS AND OTHER FITTINGS TO MATCH AND MATE WITH WIRWAYS AS REQUIRED FOR A CONTINUOUS ENCLOSED COMPLETE SYSTEM.
 - PROVIDE MINIMUM 3/2" CONCRETE HOUSEKEEPING PAD.



- KEYPLAN**
 4 NO SCALE
- ENLARGED PLAN - EXISTING BUILDING - ELECTRICAL ROOM**
 2 1/4" = 1'-0"

1 ENLARGED PLAN - MECH. 1111, ELEC. 1112, & EM. ELEC 1114 - POWER
 1/4" = 1'-0"



- NOTES:**
- ALL WORK ON THIS DETAIL SUPPLEMENTS THE WORK SHOWN ON OF DRAWINGS. THE INTENT IS TO PROVIDE ADDITIONAL CIRCUITING REQUIREMENTS AND SPECIFICATIONS FOR WIRING DEVICES, CONNECTIONS, DISCONNECT SWITCHES, ETC. NOT SHOWN ON THE OF DRAWINGS. REFER TO OF DRAWINGS FOR ADDITIONAL WORK AND INFORMATION SUCH AS EQUIPMENT LOCATIONS, MOUNTING HEIGHTS, CONDUIT ROUTING, CONTROL INTERLOCK WIRING, MICRO SWITCH, FAN SWITCH, ELECTRICAL/UNCTION BOXES, WIRING TO BAS, ETC.
 - NORMA. DEVICES AND ELECTRICAL CONNECTIONS WITHIN THIS DETAIL SHALL BE CIRCUITED TO PANEL 'PL1K', UNLESS NOTED OTHERWISE.
 - EMERGENCY DEVICES AND ELECTRICAL CONNECTIONS WITHIN THIS DETAIL SHALL BE CIRCUITED TO PANEL 'EQL', UNLESS NOTED OTHERWISE.
 - ALL DEVICE COVERPLATES WITHIN SERVERY, FOOD PREP AND CAFE SHALL BE STAINLESS STEEL, UNLESS NOTED OTHERWISE.
- KEYNOTES:**
- COORDINATE EXACT LOCATION WITH ARCHITECT PRIOR TO INSTALLATION.
 - PROVIDE ELECTRICAL EQUIPMENT IN ROOM WITH REQUIRED CLEARANCES PER NEC. REFER TO 1/E4.00 FOR ADDITIONAL INFORMATION.
 - 50% OF RECEPTACLES WITHIN ROOM SHALL BE CONTROLLED BY THE VACANCY SENSOR SERVING THE ROOM. REFER TO 1/E4.02 AND 2/E4.02 FOR CONTROLLED RECEPTACLE WIRING DIAGRAM AND ADDITIONAL REQUIREMENTS.
 - RECEPTACLES AND CONDUITS SHALL BE SURFACE MOUNTED INSIDE MILLWORK.

3 ENLARGED POWER PLAN - FOOD PREP/SERVERY
 1/4" = 1'-0"

KJWW ENGINEERING CONSULTANTS
 1100 WARRENVILLE ROAD, SUITE 400W
 NAPERVILLE, ILLINOIS 60563
 630.527.2320 FAX: 630.527.2321
 WWW.KJWW.COM

PROJECT # 14-043.00

Blank Design Firm Registration #184-08973

KJWW ENGINEERING RESERVES PROPRIETARY RIGHTS, INCLUDING COPYRIGHTS, TO THIS DRAWING AND THE DATA SHOWN THEREON. SUCH DRAWING AND/OR DATA ARE THE EXCLUSIVE PROPERTY OF KJWW ENGINEERING AND SHALL NOT BE USED OR REPRODUCED FOR ANY OTHER PROJECT WITHOUT THE EXPRESS WRITTEN APPROVAL AND PARTICIPATION OF KJWW ENGINEERING. © 2015 KJWW, P.C.

REFERENCE SCALE IN INCHES
 0 1 2 3

SHEET STATUS: 9/21/15
ISSUED FOR CONSTRUCTION

NO.	DESCRIPTION:	DATE:

SHEET TITLE:
ELECTRICAL ENLARGED PLANS

SHEET NUMBER:
E4.10



ARCHITECT OF RECORD
DEMONICA KEMPER ARCHITECTS
 125 N. HALSTED STREET, SUITE 301
 CHICAGO, IL 60661
 P: 312.496.0000

STRUCTURAL AND MEP/FP ENGINEERING
KJWW ENGINEERING CONSULTANTS
 1100 WARRENVILLE RD., SUITE 400W
 NAPERVILLE, IL 60563
 P: 630.527.2320

FOOD SERVICE CONSULTANT
CINI LITTLE INTERNATIONAL, INC.
 200 E. HOWARD AVE., SUITE 212
 DES PLAINES, IL 60018
 P: 847.298.0088

JOLIET JUNIOR COLLEGE
ROMEONVILLE CAMPUS EXPANSION
 1125 135th ST. ROMEONVILLE, IL 60446
 DKA PROJECT NO: 14-005

SITE LUMINAIRE SCHEDULE

<p>(MTG) MOUNTING: RE - RECESSED SP - SUSPENDED CL - CEILING SURFACE WL - WALL UC - UNDER CABINET CV - COVE PL - POLE FR - FLANGED RECESSED O - OTHER (SEE DESCRIPTION)</p> <p>DOOR: FA - FLAT ALUMINUM FS - FLAT STEEL RA - REGRESSED ALUMINUM RS - REGRESSED STEEL</p> <p>FINISH: PAF - PAINT AFTER FABRICATION CSA - FINISH SELECTION BY ARCHITECT</p>	<p>(Type) LAMP TECHNOLOGY: FL - FLUORESCENT CF - COMPACT FLUORESCENT HL - HALOGEN IN - INCANDESCENT LED - LIGHT EMITTING DIODE HS - HIGH PRESSURE SODIUM MH - METAL HALIDE SMH - SUPER METAL HALIDE PSMH - PULSE START METAL HALIDE CMH - CERAMIC METAL HALIDE O - OTHER (SEE DESCRIPTION) XL - EXTENDED LIFE XLP - EXTENDED LIFE & OUTPUT</p> <p>(TYPE) BALLAST: DIM07 - 0-10V DIMMING BALLAST DIM10 - LINE DIMMING BALLAST HL - HIGH / LOW LEVEL BALLAST ML - MULTI-LEVEL SWITCHING HP - HIGH PERFORMANCE / LBF</p>	<p>(L/L) LENS/LOUVER: A - 125° ACRYLIC B - BLACK BAFFLE C - CLEAR ALZAK D - PARABOLIC F - FRESNEL G - TEMPERED GLASS H - WALL WASHER P - POLY CARBONATE K - KSH12 125° ACRYLIC K19 - KSH19 156° ACRYLIC L - LOW REDUCESCENT SPECULAR ALUM. N - NONE R - HIGH IMPACT DR ACRYLIC O - OTHER (SEE DESCRIPTION)</p> <p>(TYPE) BALLAST: EB - ELECTRONIC BALLAST EM - EMERGENCY BATTERY/BALLAST DALI - DIGITAL DIMMING BALLAST MV - MULTI-VOLTAGE ELECTRONIC 120V-277V #BF - BALLAST FACTOR</p>
---	---	---

CATALOG NUMBER SHALL NOT BE CONSIDERED COMPLETE AND MATERIAL SHALL NOT BE ORDERED BY MANUFACTURER AND CATALOG NUMBER ONLY. THE COMPLETE DESCRIPTION AND THE SPECIFICATION SHALL BE COORDINATED WITH THE CATALOG NUMBER TO DETERMINE THE EXACT MATERIAL AND ACCESSORIES TO BE ORDERED. THE FIRST MANUFACTURER LISTED IS THE BASIS FOR DESIGN.

REFER TO LIGHTING SPECIFICATION FOR ADDITIONAL INFORMATION AND REQUIREMENTS.

ALL LAMPS FOR THIS PROJECT SHALL BE FURNISHED AND INSTALLED BY THE ELECTRICAL CONTRACTOR UNLESS OTHERWISE NOTED.
 CORRELATED COLOR TEMPERATURE 3500°, COLOR RENDERING INDEX (CRI) AT OR ABOVE 80, UNLESS NOTED OTHERWISE.

ITEM	DESCRIPTION	DIMENSIONS				MTG	TYPE	QTY	LAMPS		BALLAST		L/L	APPROVED MANUFACTURER
		L	W	H	DIA				MODEL	VOLTS	TYPE			
S1	LED SITE LUMINAIRE, DIE-CAST ALUMINUM HOUSING, WET LOCATION LISTED, 10KV TRANSIENT LINE SURGE PROTECTOR, COORDINATE FINISH SELECTION OF FIXTURE AND POLE WITH OWNER. TYPE V MEDIUM DISTRIBUTION POLE SHALL BE ROUND STRAIGHT STEEL WITH INTERNAL VIBRATION DAMPER.	25"	19"	4.8"	30" POLE	PL	LED	1	112 WATTS 10,320 LUMENS	277V		O	FIXTURE: CREE-OSQ SERIES OSQ-A-NM-SME-A-40K-UL POLE: CREE EDGE SERIES PS SQUARE STRAIGHT POLE	
S2	LED SITE LUMINAIRE, DIE-CAST ALUMINUM HOUSING, WET LOCATION LISTED, 10KV TRANSIENT LINE SURGE PROTECTOR, COORDINATE FINISH SELECTION OF FIXTURE AND POLE WITH OWNER. TYPE V MEDIUM DISTRIBUTION POLE SHALL BE SQUARE STRAIGHT STEEL WITH INTERNAL VIBRATION DAMPER.	25"	19"	4.8"	30" POLE	PL	LED	1	233 WATTS 20,538 LUMENS	277V		O	FIXTURE: CREE-OSQ SERIES OSQ-A-NM-SME-S-40K-UL POLE: CREE EDGE SERIES PS SQUARE STRAIGHT POLE	
S3	LED SITE LUMINAIRE, DIE-CAST ALUMINUM HOUSING, WET LOCATION LISTED, 10KV TRANSIENT LINE SURGE PROTECTOR, COORDINATE FINISH SELECTION OF FIXTURE AND POLE WITH OWNER. TYPE II MEDIUM DISTRIBUTION POLE SHALL BE ROUND STRAIGHT STEEL WITH INTERNAL VIBRATION DAMPER.	25"	19"	4.8"	30" POLE	PL	LED	1	112 WATTS 10,904 LUMENS	277V		O	FIXTURE: CREE-OSQ SERIES OSQ-A-NM-2ME-A-40K-UL POLE: CREE EDGE SERIES PS SQUARE STRAIGHT POLE	
S4	LED SITE LUMINAIRE, DIE-CAST ALUMINUM HOUSING, WET LOCATION LISTED, 10KV TRANSIENT LINE SURGE PROTECTOR, COORDINATE FINISH SELECTION OF FIXTURE AND POLE WITH OWNER. TYPE II MEDIUM WITH BACKLIGHT SHIELD DISTRIBUTION POLE SHALL BE SQUARE STRAIGHT STEEL WITH INTERNAL VIBRATION DAMPER.	25"	19"	4.8"	30" POLE	PL	LED	1	112 WATTS 9,346 LUMENS	277V		O	FIXTURE: CREE-OSQ SERIES OSQ-A-NM-2ME-A-40K-UL W/OSQ-BLSMF POLE: CREE EDGE SERIES PS SQUARE STRAIGHT POLE	
S5	LED SITE LUMINAIRE, DIE-CAST ALUMINUM HOUSING, WET LOCATION LISTED, 10KV TRANSIENT LINE SURGE PROTECTOR, COORDINATE FINISH SELECTION OF FIXTURE AND POLE WITH OWNER. TYPE IV MEDIUM DISTRIBUTION POLE SHALL BE ROUND STRAIGHT STEEL WITH INTERNAL VIBRATION DAMPER.	25"	19"	4.8"	30" POLE	PL	LED	1	112 WATTS 10,682 LUMENS	277V		O	FIXTURE: CREE-OSQ SERIES OSQ-A-NM-4ME-A-40K-UL POLE: CREE EDGE SERIES PS SQUARE STRAIGHT POLE	
S6	LED SITE LUMINAIRE, DIE-CAST ALUMINUM HOUSING, WET LOCATION LISTED, 10KV TRANSIENT LINE SURGE PROTECTOR, COORDINATE FINISH SELECTION OF FIXTURE AND POLE WITH OWNER. TYPE IV MEDIUM WITH BACKLIGHT SHIELD DISTRIBUTION POLE SHALL BE ROUND STRAIGHT STEEL WITH INTERNAL VIBRATION DAMPER.	25"	19"	4.8"	30" POLE	PL	LED	1	168 WATTS 13,686 LUMENS	277V		O	FIXTURE: CREE-OSQ SERIES OSQ-A-NM-4ME-I-40K-UL W/OSQ-BLSMF POLE: CREE EDGE SERIES PS SQUARE STRAIGHT POLE	
S7	LED SITE LUMINAIRE, DIE-CAST ALUMINUM HOUSING, WET LOCATION LISTED, 10KV TRANSIENT LINE SURGE PROTECTOR, COORDINATE FINISH SELECTION OF FIXTURE AND POLE WITH OWNER. TYPE IV MEDIUM DISTRIBUTION POLE SHALL BE ROUND STRAIGHT STEEL WITH INTERNAL VIBRATION DAMPER.	25"	19"	4.8"	30" POLE	PL	LED	1	223 WATTS 21,252 LUMENS	277V		O	FIXTURE: CREE-OSQ SERIES OSQ-A-NM-4ME-S-40K-UL POLE: CREE EDGE SERIES PS SQUARE STRAIGHT POLE	
S8	FLAG POLE ACCENT LUMINAIRE, DIE-CAST ALUMINUM HOUSING, 7 DEGREE BEAM ANGLE, WET LOCATION LISTED, LUMINAIRE MOUNTED ABOVE GRADE, COORDINATE FINISH SELECTION OF FIXTURE WITH OWNER.	9.6"	5.9"	8.7"		O	LED	1	25 WATTS 1,176 LUMENS	277V		O	ACCLAIM DYNALFLOOD SO	

KEY PLAN:

SHEET STATUS: 9/21/15
ISSUED FOR CONSTRUCTION

NO.	DESCRIPTION:	DATE:

SHEET TITLE:
ELECTRICAL SCHEDULES

SHEET NUMBER:

E5.01

KJWW ENGINEERING CONSULTANTS
 1100 WARRENVILLE ROAD, SUITE 400W
 NAPERVILLE, IL 60563
 630.527.2320 FAX: 630.627.2321
 WWW.KJWW.COM
 PROJECT # 14-0463.00
 DESIGN: [NAME] DATE: [DATE]
 CHECK: [NAME] DATE: [DATE]
 APPROVED: [NAME] DATE: [DATE]

SCALE: 1" = 1'-0"



ARCHITECT OF RECORD
DEMIONA KEMPER ARCHITECTS
 125 N. HALSTED STREET, SUITE 301
 CHICAGO, IL 60661
 P: 312.496.0000

STRUCTURAL AND MEP/FP ENGINEERING
KJWW ENGINEERING CONSULTANTS
 1100 WARRENVILLE RD., SUITE 400W
 NAPERVILLE, IL 60563
 P: 630.527.2320

FOOD SERVICE CONSULTANT
CINI LITTLE INTERNATIONAL, INC.
 200 E. HOWARD AVE., SUITE 212
 DES PLAINES, IL 60018
 P: 847.298.0088

JOLIET JUNIOR COLLEGE
ROMEONVILLE CAMPUS EXPANSION
 1125 135th ST. ROMEONVILLE, IL 60446
 DKA PROJECT NO: 14-005

KEY PLAN:

SHEET STATUS: 9/21/15

ISSUED FOR CONSTRUCTION

NO. DESCRIPTION: DATE:

SHEET TITLE:

ELECTRICAL SCHEDULES

SHEET NUMBER:

E5.02

DISCONNECT AND STARTER SCHEDULE									
NOTE: ALL DISCONNECTS (EXCEPT MANUAL STARTERS) SHALL BE HEAVY DUTY TYPE									
DISCONNECT TYPE:		CIRCUIT RATING		CIRCUIT VOLTAGE		STARTER		REMARKS	
ITEM	TYPE	RATING	VOLTS	POLES	NEMA SIZE	TYPE	NEMA ENCLOSURE	REMARKS	APPROVED MANUFACTURERS
DS-30	NF	30 A	480 V	3			1		SQUARE D 3110 HU361 CUTLER-HAMMER TYPE DH GENERAL ELECTRIC TYPE TH SIEMENS TYPE HNF
DS-30R	NF	30 A	208 V	3			3R		SQUARE D 3110 HU361RB CUTLER-HAMMER TYPE DH GENERAL ELECTRIC TYPE TH SIEMENS TYPE HF
DS-60R	NF	60 A	208 V	3			3R		SQUARE D 3110 HU362RB CUTLER-HAMMER TYPE DH GENERAL ELECTRIC TYPE TH SIEMENS TYPE HF
DS-200	NF	200 A	600 V	3			1		SQUARE D 3110 HU364 CUTLER-HAMMER TYPE TH GENERAL ELECTRIC TYPE TH SIEMENS TYPE HNF
FDS-30A	FU	30 A	208 V	3			1	SIN, FUSED AT 15 AMPS	SQUARE D 3110 H221N CUTLER-HAMMER TYPE DH GENERAL ELECTRIC TYPE TH SIEMENS TYPE HF
FDS-30L	FU	30 A	240 V	2			1	SIN LIGHT DUTY	SQUARE D 3130 L221N CUTLER-HAMMER GENERAL ELECTRIC SIEMENS
FDS-60	FU	60 A	480 V	3			1	REFER TO ELECTRICAL ONE LINE DIAGRAM SHEET	SQUARE D 3110 H362 CUTLER-HAMMER TYPE DH GENERAL ELECTRIC TYPE TH SIEMENS TYPE HF
FDS-100	FU	100 A	480 V	3			1	REFER TO ELECTRICAL ONE LINE DIAGRAM SHEET	SQUARE D 3110 H363 CUTLER-HAMMER TYPE DH GENERAL ELECTRIC TYPE TH SIEMENS TYPE HF
FED-30	FU	30 A	480 V	3			1	ELEVATOR SHUNT TRIP, CT, FUSE PER ELEVATOR MFC RECOMMENDATIONS, EI	BUSSMANN PS3T48R2 MERSEN ES3T48R2 CUTLER-HAMMER ES1T48R2 LITTELFUSE LPS3T48R2
MS-1		16 A	120 V	1	0	MS	1	RP, TO	SQUARE D 2510 FG1P CUTLER-HAMMER TYPE MS GENERAL ELECTRIC CR101 SIEMENS TYPE SMF
MX-1		30 A	120 V	1	0	MX	1		SQUARE D 2510 KG1 CUTLER-HAMMER TYPE B2 GENERAL ELECTRIC TYPE TC SIEMENS TYPE MMS

CONTACTOR SCHEDULE							
SWITCH TYPE:		CONTACT VOLTAGE		AMPERAGE		REMARKS	
ITEM	TYPE	VOLTS	POLES	AMPERAGE	NEMA ENCLOSURE	COIL VOLTAGE	APPROVED MANUFACTURER
LC-FLAG	EH	300	2	30	1	120	SQUARE D 8903-LG02 GENERAL ELECTRIC CR46L CUTLER-HAMMER CN35DG SIEMENS LEN SERIES
LC-EXT-EM	EH	300	4	30	1	120	HOA SQUARE D 8903-LG04 GENERAL ELECTRIC CR46L CUTLER-HAMMER CN35DG SIEMENS LEN SERIES
LC-SITE-N1 LC-SITE-N2 LC-FIRST CORR LC-SECOND CORR	EH	300	6	30	1	120	SQUARE D 8903-LG08 GENERAL ELECTRIC CR46L CUTLER-HAMMER CN35DG SIEMENS LEN SERIES
C-BLR	EH	300	12	30	1	120	SQUARE D 8903-LG12 GENERAL ELECTRIC CR46L CUTLER-HAMMER CN35DG SIEMENS LEN SERIES

TRANSFORMER SCHEDULE 1									
TYPE:		KVA RATING		VOLTAGE		PHASE		REMARKS	
TAG NAME	KVA RATING	TYPE	MAX. TEMP. RISE C.	PRIMARY VOLTS	PH	SECONDARY VOLTS	PH	% REG	APPROVED MANUFACTURER
TR-15	15 KVA	TP1	150	480 V	3	208Y/120	3	2.5	SQUARE D 7400 EE15T3H CUTLER-HAMMER TYPE DT-3 GENERAL ELECTRIC TYPE QL SIEMENS 3F3Y015T1P1
TR-45	45 KVA	TP1	150	480 V	3	208Y/120	3	2.5	SQUARE D 7400 EE45T3H CUTLER-HAMMER TYPE DT-3 GENERAL ELECTRIC TYPE QL SIEMENS 3F3Y045T1P1
TR-112	112.5 KVA	TP1	150	480 V	3	208Y/120	3	2.5	SQUARE D 7400 EE112T3H CUTLER-HAMMER TYPE DT-3 GENERAL ELECTRIC TYPE QL SIEMENS 3F3Y112T1P1
TR-225	225 KVA	TP1	150	480 V	3	208Y/120	3	2.5	SQUARE D 7400 EE225T3H CUTLER-HAMMER TYPE DT-3 GENERAL ELECTRIC TYPE QL SIEMENS 3F3Y225T1P1

TRANSFER SWITCH SCHEDULE									
SWITCH TYPE:		VOLTAGE		POLES		AMPS		REMARKS	
ITEM	TYPE	VOLTS	POLES	AMPS	NEMA ENCLOSURE TYPE	ACC	REMARKS	APPROVED MANUFACTURERS	
ATS-EQ	AUTO	480 V	4	100 A	1	EE, IM, SN	GENERATOR START DELAY: 10 SECONDS TRANSFER TO EMERGENCY DELAY: 30 SECONDS TRANSFER TO NORMAL DELAY: 120 SECONDS	ASCO 300 SERIES RUSSEL ELECTRIC RMT SERIES GE ZENITH ZTG SERIES CATERPILLAR CTG SERIES CUMMINS OTRC SERIES GENERAC W SERIES KOHLER KCT SERIES	
ATS-LS	AUTO	480 V	4	100 A	1	EE, IM, SN	LIFE SAFETY BRANCH PRIORITY GROUP 1 GENERATOR START DELAY: 5 SECONDS TRANSFER TO EMERGENCY DELAY: 5 SECONDS RETRANSFER TO NORMAL DELAY: 300 SECONDS	ASCO 300 SERIES RUSSEL ELECTRIC RMT SERIES GE ZENITH ZTG SERIES CATERPILLAR CTG SERIES CUMMINS OTRC SERIES GENERAC W SERIES KOHLER KCT SERIES	

VARIABLE FREQUENCY DRIVE SCHEDULE									
STARTER TYPE:		CONTACT VOLTAGE		AMPERAGE		REMARKS		APPROVED MANUFACTURER	
ITEM	LINE DISC	DRIVE BYPASS	CONTROL	INPUT	OUTPUT	PH.	H.P. RATING	TYPE	NEMA ENCLOSURE
VFD-7	DS FDS CB	3 CONTACT	420	480 V	480 V	3	7.5	PWM	1

KJWW ENGINEERING CONSULTANTS
 1100 WARRENVILLE ROAD, SUITE 400W
 NAPERVILLE, IL 60563
 630.527.2320 FAX: 630.527.2321
 WWW.KJWW.COM

PROJECT # 14-005

KJWW ENGINEERING RESERVES PROPRIETARY RIGHTS, INCLUDING COPYRIGHTS, TO THE DRAWING AND THE DATA THEREON. SUCH DRAWING AND/OR DATA ARE THE EXCLUSIVE PROPERTY OF KJWW ENGINEERING AND SHALL NOT BE USED OR REPRODUCED FOR ANY OTHER PROJECT WITHOUT THE EXPRESS WRITTEN APPROVAL AND PARTICIPATION OF KJWW ENGINEERING. © 2015 KJWW, P.C.

REFERENCE SCALE IN INCHES



ARCHITECT OF RECORD
 DEMONIA KEMPER ARCHITECTS
 125 N. HALSTED STREET, SUITE 301
 CHICAGO, IL 60661
 P: 312.496.0000

STRUCTURAL AND MEP/FP ENGINEERING
 KJWW ENGINEERING CONSULTANTS
 1100 WARRENVILLE RD., SUITE 400W
 NAPERVILLE, IL 60563
 P: 630.527.2320

FOOD SERVICE CONSULTANT
 CINI LITTLE INTERNATIONAL, INC.
 200 E. HOWARD AVE., SUITE 212
 DES PLAINES, IL 60018
 P: 847.298.0088

JOLIET JUNIOR COLLEGE
ROMEORVILLE CAMPUS EXPANSION
 1125 135th ST. ROMEORVILLE, IL 60446
 DKA PROJECT NO: 14-005

KEY PLAN:

SHEET STATUS: 9/21/15
ISSUED FOR CONSTRUCTION

NO.	DESCRIPTION:	DATE:

SHEET TITLE:
ELECTRICAL PANEL SCHEDULES

SHEET NUMBER:
E5.10

KJWW ENGINEERING CONSULTANTS
 1100 WARRENVILLE ROAD, SUITE 400W
 NAPERVILLE, ILLINOIS 60563
 WWW.KJWW.COM
 P: 630.527.2320 FAX: 630.627.3211
 PROJECT # 14-005-00
 KJWW DESIGN FIRM REGISTRATION #14-005-0017
 KJWW ENGINEERING RESERVES PROPRIETARY RIGHTS, INCLUDING COPYRIGHTS, AND THE DATA SHOWN THEREON. SUCH DRAWINGS AND/OR DATA ARE THE EXCLUSIVE PROPERTY OF KJWW ENGINEERING AND SHALL NOT BE USED OR REPRODUCED FOR ANY OTHER PROJECT WITHOUT THE EXPRESS APPROVAL AND PARTICIPATION OF KJWW ENGINEERING. © 2015 KJWW, P.C.

PANEL NAME: LH1 CONNECTED 16.4 kVA

TYPE: Type 1
 MOUNTING: SURFACE
 FED FROM: MDP
 SCRR: 42,000
 LOCATION: ELECTRICAL 1112

MAIN: 250 A/MLO
 VOLTS: 480/277 Wye
 PHASE: 3
 WIRE: 4
 DEMAND: 16.39 kVA

Panel Notes: PROVIDE LABELING TO INDICATE "PV SYSTEM INTERCONNECTION"

CKT NO.	LOAD DESCRIPTION	AMP	POLES	A	B	C	POLES	AMP	LOAD DESCRIPTION	CKT NO.	
1	Lighting (Corridor Area), "C"	20 A	1	1.14	0				PV-INV, "PV, "R"	2	
3	Lighting	20 A	1		2.7	0				4	
5	Lighting, "B2"	20 A	1			2.68	0			6	
7	Lighting, "B2"	20 A	1	2.57	0				PV-INV, "PV, "R"	8	
9	PV-INV, "PV, "R"	40 A	3		0	0				10	
11						0	0			12	
13				0	1.1				20 A Site Lighting, "B2, "C"	14	
15	Site Lighting, "B2, "C"	20 A	1		0.9	0.7				16	
17	Site Lighting, "C2, "C"	20 A	1				1.4	0.1	20 A Site Lighting, "C"	18	
19	Lighting (Corridor Area), "C"	20 A	1	1.52	1.2				20 A Lighting (Corridor Area), "C"	20	
21	SPARE	20 A	1		0	2.51			20 A Lighting	22	
23	SPARE	20 A	1				0	2.07	20 A Lighting	24	
25	SPARE	20 A	1	0	0				20 A SPARE	26	
27	SPARE	20 A	1						20 A SPARE	28	
29	SPARE	20 A	1						20 A SPARE	30	
31	SPARE	20 A	1	0	0				20 A SPARE	32	
33	SPARE	20 A	1						20 A SPARE	34	
35	SPARE								SPARE	36	
37	SPARE			0	0				SPARE	38	
39	SPARE								SPARE	40	
41	SPARE								SPARE	42	
Total Load:				7.52 kVA	6.82 kVA	6.25 kVA					
Total Amps:				27.47	24.92	22.57					

[Key:]- "C" = THRU CONTACTOR; "PV"=SEE E4.02 FOR CONDUIT/WIRE SIZE, "R"=BREAKER SHALL BE REVERSE FEED TYPE

PANEL NAME: LH2 CONNECTED 14.2 kVA

TYPE: BOLT-ON
 MOUNTING: SURFACE
 FED FROM: MDP
 SCRR: 18,000
 LOCATION: ELEC. 2108

MAIN: 125 A/MLO
 VOLTS: 480/277 Wye
 PHASE: 3
 WIRE: 4
 DEMAND: 14.19 kVA

Panel Notes:

CKT NO.	LOAD DESCRIPTION	AMP	POLES	A	B	C	POLES	AMP	LOAD DESCRIPTION	CKT NO.	
1	Lighting, "C"	20 A	1	1.56	0.5				20 A Lighting	2	
3	Lighting, "B2"	20 A	1		2.96	1.52			20 A Lighting, "C"	4	
5	Lighting	20 A	1			2.12	2.19		20 A Lighting	6	
7	Lighting	20 A	1	1.57	1.78				20 A Lighting	8	
9	SPARE	20 A	1		0	0			20 A SPARE	10	
11	SPARE	20 A	1			0	0		20 A SPARE	12	
13	SPARE	20 A	1	0	0				20 A SPARE	14	
15	SPARE	20 A	1			0	0		20 A SPARE	16	
17	SPARE	20 A	1				0	0	20 A SPARE	18	
19	SPARE	20 A	1	0	0				20 A SPARE	20	
21	SPARE	20 A	1			0	0		20 A SPARE	22	
23	SPARE	20 A	1				0	0	20 A SPARE	24	
25	SPARE	20 A	1	0	0				20 A SPARE	26	
27	SPARE	20 A	1			0	0		20 A SPARE	28	
29	SPARE	20 A	1				0	0	20 A SPARE	30	
31	SPARE	20 A	1	0	0				20 A SPARE	32	
33	SPARE								SPARE	34	
35	SPARE					0	0		SPARE	36	
37	SPARE			0	0				SPARE	38	
39	SPARE								SPARE	40	
41	SPARE								SPARE	42	
Total Load:				5.4 kVA	4.48 kVA	4.31 kVA					
Total Amps:				19.57	16.25	15.57					

[Key:]- "C" = THRU CONTACTOR

PANEL NAME: PL1A CONNECTED 17.5 kVA

TYPE: Type 1
 MOUNTING: SURFACE
 FED FROM: DP-1
 SCRR: 22,000
 LOCATION: ELECTRICAL 1112

MAIN: 100 A/MLO
 VOLTS: 120/208 Wye
 PHASE: 3
 WIRE: 4
 DEMAND: 17.52 kVA

Panel Notes:

CKT NO.	LOAD DESCRIPTION	AMP	POLES	A	B	C	POLES	AMP	LOAD DESCRIPTION	CKT NO.	
1	Power, "B2"	20 A	1	0.8	1.5				20 A Vending, "G"	2	
3	Vending, "G"	20 A	1		1.5	1.5			20 A Vending, "G"	4	
5	Power	20 A	1			0.8	0.4		20 A Power	6	
7	Power	20 A	1	0.6	0.8				20 A Power	8	
9	Power	20 A	1		0.5	0.6			20 A Power	10	
11	Lighting, "C"	20 A	1			0.02	0.2		20 A CAB-1	12	
13	CAB-2	20 A	1	0.3	0.2				20 A UH-4	14	
15	Copier	20 A	1		1.9	0.2			20 A UH-5	16	
17	UH-2	20 A	1				0.2	0.2	20 A UH-3	18	
19	UH-1	20 A	1	0.2	0				20 A SPARE	20	
21	CP-2 (344 HP)	25 A	1		1.6	0.8			20 A Site Charging Station, "C2"	22	
23	WH-1	20 A	1			0.2	0.2		20 A Lighting Contactors	24	
25	WH-2	20 A	1	0.2	0.5				20 A Site Security Camera, "C2"	26	
27	Power	20 A	1		0.4	0.8			20 A Water Softener	28	
29	CP-1 (1 HP)	20 A	2			0.95	0		20 A SPARE	30	
31				0.95	0				20 A SPARE	32	
33	SPARE	20 A	1						20 A SPARE	34	
35	SPARE	20 A	1			0	0		20 A SPARE	36	
37	SPARE			0	0				SPARE	38	
39	SPARE								SPARE	40	
41	SPARE								SPARE	42	
Total Load:				6.05 kVA	9.8 kVA	3.17 kVA					
Total Amps:				54.12	85.37	26.38					

[Key:]- "G" = PROVIDE GFCI BREAKER, "C" = THRU CONTACTOR

PANEL NAME: PL1B CONNECTED 29.5 kVA

TYPE: Type 1
 MOUNTING: SURFACE
 FED FROM: DP-1
 SCRR: 22,000
 LOCATION: ELECTRICAL 1112

MAIN: 100 A/MLO
 VOLTS: 120/208 Wye
 PHASE: 3
 WIRE: 4
 DEMAND: 29.47 kVA

Panel Notes:

CKT NO.	LOAD DESCRIPTION	AMP	POLES	A	B	C	POLES	AMP	LOAD DESCRIPTION	CKT NO.	
1	Power	20 A	1	1.2	1				20 A Copier	2	
3	Hand Dryer, "B2, "P"	20 A	1		1.4	1.4			20 A Hand Dryer, "B2, "P"	4	
5	Hand Dryer, "B2, "P"	20 A	1			1.4	1.4		20 A Hand Dryer, "B2, "P"	6	
7	Power	20 A	1	1.2	1.2				20 A Power	8	
9	Power	20 A	1		1.2	1.2			20 A Power	10	
11	Power	20 A	1			1.4	1.2		20 A Power	12	
13	Power	20 A	1	1.2	1.2				20 A Power	14	
15	Power	20 A	1		1.2	1			20 A Power	16	
17	Power	20 A	1			0.8	1		20 A Copier	18	
19	Power, "B2"	20 A	1	1.2	0.8				20 A Power, "B2"	20	
21	Power, "B2"	20 A	1		1.2	0.8			20 A Power, "B2"	22	
23	Power, "B2"	20 A	1			1.2	1		20 A Power, "B2"	24	
25	SPARE	20 A	1	0.4	0				20 A SPARE	26	
27	Power, "B2"	20 A	1		0.4	0.22			20 A Lighting	28	
29	Power, "B2"	20 A	1			0.4	0		20 A SPARE	30	
31	Elevator Pit Power & light, "B2"	20 A	1	0.25	0				20 A SPARE	32	
33	SPARE	20 A	1						20 A SPARE	34	
35	SPARE	20 A	1						20 A SPARE	36	
37	SPARE	20 A	1	0	0				20 A SPARE	38	
39	SPARE								SPARE	40	
41	SPARE								SPARE	42	
Total Load:				9.65 kVA	10.02 kVA	9.8 kVA					
Total Amps:				80.38	83.68	81.87					

[Key:]- "P"=PADLOCK HASP

PANEL NAME: PL1C CONNECTED 16.6 kVA

TYPE: BOLT-ON
 MOUNTING: SURFACE
 FED FROM: DP-1
 SCRR: 10,000
 LOCATION: STORAGE 1031

MAIN: 100 A/MLO
 VOLTS: 120/208 Wye
 PHASE: 3
 WIRE: 4
 DEMAND: 16.56 kVA

Panel Notes:

CKT NO.	LOAD DESCRIPTION	AMP	POLES	A	B	C	POLES	AMP	LOAD DESCRIPTION	CKT NO.	
1	Power	20 A	1	0.6	0.8				20 A Power	2	
3	Power	20 A	1		1.1	1			20 A Projector	4	
5	Motorized Screen, "B2"	20 A	1			2	0.6		20 A Power	6	
7	Power, "B2"	20 A	1	1					20 A Power, "B2"	8	
9	Projector, "B2"	20 A	1		1	1.3			20 A Power, "B2"	10	
11	Power, "B2"	20 A	1			0.8	1.6		20 A Motorized Shades, "C2"	12	
13	Motorized Shades, "C2"	20 A	1	1.6	0.06				20 A Lighting	14	
15	SPARE	20 A	1			0	0.6		20 A Motorized Shades	16	
17	Microwave, "B2"	20 A	1			1.5	0.2		20 A Power, "B2"	18	
19	Power, "B2"	20 A	1	0.4	0.4				20 A Power, "B2"	20	
21	SPARE	20 A	1						20 A SPARE	22	
23	SPARE	20 A	1			0	0		20 A SPARE	24	
25	SPARE	20 A	1	0	0				20 A SPARE	26	
27	SPARE	20 A	1			0	0		20 A SPARE	28	
29	SPARE	20 A	1			0	0		20 A SPARE	30	
31	SPARE	20 A	1	0	0				20 A SPARE	32	
33	SPARE								SPARE	34	
35	SPARE					0	0		SPARE	36	
37	SPARE			0	0				SPARE	38	
39	SPARE								SPARE	40	
41	SPARE								SPARE	42	
Total Load:				4.86 kVA	5 kVA	6.7 kVA					
Total Amps:				40.5	41.85	56.01					

[Key:]-

PANEL NAME: PL1K CONNECTED 114.3 kVA

TYPE: Type 1
 MOUNTING: SURFACE
 FED FROM: DP-1
 SCRR: 10,000
 LOCATION: FOOD PREP 1016

MAIN: 400 A/MCB
 VOLTS: 120/208 Wye
 PHASE: 3
 WIRE: 4
 DEMAND: 114.34 kVA

Panel Notes: MAIN CIRCUIT BREAKER SHALL BE PROVIDED WITH SHUNT TRIP

CKT NO.	LOAD DESCRIPTION	AMP	POLES	A	B	C	POLES	AMP	LOAD DESCRIPTION	CKT NO.
1	Walk-in Box, "P"	20 A	1	0.4	0.41				20 A Air Curtain	2
3	Bag and Box Soda System, "G"	20 A	1		0.6	3.33			20 A Dishwasher, "C3, "P"	4
5	Pot Washer, "G"	20 A	1			0.67	3.33		20 A Meat Slicer	6
7	Ice Cuber, "P, "G"	20 A	1	1.58	0.67				20 A Food Processor	8
9	Induction Range	20 A	1		1.8	0.84			20 A Vegetable Dryer	10
11	Sneeze Guard, "P"	20 A	1			0.6	0.32		20 A Tilling Skillet, "C3, "P"	12
13	Combi Oven, "D4, "P"	60 A	3	5.53	3				20 A Power, "G"	14
15					5.53	3			20 A Power, "G"	16
17									20 A Exhaust Hood, "P"	18
19	Combi Oven, "D4, "P"	60 A	3	5.53	1.8				20 A Power, "G"	20



ARCHITECT OF RECORD
 DEMONICA KEMPER ARCHITECTS
 125 N. HALSTED STREET, SUITE 301
 CHICAGO, IL 60661
 P: 312.496.0000

STRUCTURAL AND MEP/FP ENGINEERING
 KJWW ENGINEERING CONSULTANTS
 1100 WARRENVILLE RD., SUITE 400W
 NAPERVILLE, IL 60563
 P: 630.527.2320

FOOD SERVICE CONSULTANT
 CINI LITTLE INTERNATIONAL, INC.
 200 E. HOWARD AVE., SUITE 212
 DES PLAINES, IL 60018
 P: 847.288.0088

JOLIET JUNIOR COLLEGE
ROMEORVILLE CAMPUS EXPANSION
 1125 135th ST. ROMEORVILLE, IL 60446
 DKA PROJECT NO: 14-005

KEY PLAN:

SHEET STATUS: 9/21/15
ISSUED FOR CONSTRUCTION

NO.	DESCRIPTION:	DATE:

SHEET TITLE:
ELECTRICAL PANEL SCHEDULES

SHEET NUMBER:
E5.11

KJWW ENGINEERING CONSULTANTS
 1100 WARRENVILLE ROAD, SUITE 400W
 NAPERVILLE, ILLINOIS 60563
 630.527.2320 FAX: 630.527.2321
 WWW.KJWW.COM
 PROJECT #: 14-005-00
 KJWW ENGINEERING RESERVES PROPRIETARY RIGHTS, INCLUDING COPYRIGHTS, TO THIS DRAWING AND THE DATA SHOWN THEREON. THIS DRAWING AND/OR DATA ARE THE EXCLUSIVE PROPERTY OF KJWW ENGINEERING AND SHALL NOT BE USED OR REPRODUCED FOR ANY OTHER PROJECT WITHOUT THE EXPRESS WRITTEN APPROVAL AND PARTICIPATION OF KJWW ENGINEERING. © 2015 KJWW, P.C.

PANEL NAME: PL2A CONNECTED 20.9 KVA
 TYPE: BOLT-ON MOUNTING: SURFACE
 FED FROM: DP-2 SOLID NEUTRAL GROUND BUS
 MAIN: 100 A/MLO VOLTS: 120/208 Wye
 PHASE: 3 WIRE: 4
 SCCR: 10,000 DEMAND: 20.85 KVA
 LOCATION: STORAGE 2105

Panel Notes:

CKT NO.	LOAD DESCRIPTION	AMP	POLES	A	B	C	POLES	AMP	LOAD DESCRIPTION	CKT NO.
1	CAB-8, "C2	20 A	1	0.3	1			1	20 A Power	2
3	Projector, "B2	20 A	1		0.3	1		1	20 A Power, "B2	4
5	Projector, "B2	20 A	1			0.3	1	1	20 A Power, "B2	6
7	Power, "B2	20 A	1	1	0.3			1	20 A Projector, "B2	8
9	Power, "B2	20 A	1		1	1		1	20 A Power, "B2	10
11	Projector	20 A	1			0.3	1.2	1	20 A Power	12
13	Power	20 A	1	1	0.3			1	20 A Power	14
15	Power	20 A	1		1	1		1	20 A Power, "B2	16
17	EF-1	25 A	2			1.38	0.6	1	20 A Power, "C2	18
19	--	--	--	1.38	1.38			2	25 A EF-2	20
21	EF-3	25 A	2			1.38	1.38	--	--	22
23	--	--	--					1	20 A SPARE	24
25	SPARE	20 A	1	0	0			1	20 A SPARE	26
27	SPARE	20 A	1		0	0		1	20 A SPARE	28
29	SPARE	20 A	1			0	0	1	20 A SPARE	30
31	SPARE	20 A	1	0	0			1	20 A SPARE	32
33	SPARE	--	--		0	0		--	-- SPARE	34
35	SPARE	--	--			0	0	--	-- SPARE	36
37	SPARE	--	--	0	0			--	-- SPARE	38
39	SPARE	--	--		0	0		--	-- SPARE	40
41	SPARE	--	--			0	0	--	-- SPARE	42
Total Load:				6.65 KVA	8.05 KVA	6.15 KVA				
Total Amps:				56.06	67.72	51.25				

[Key:]

PANEL NAME: PL2B CONNECTED 16.8 KVA
 TYPE: BOLT-ON MOUNTING: SURFACE
 FED FROM: DP-2 SOLID NEUTRAL GROUND BUS
 MAIN: 100 A/MLO VOLTS: 120/208 Wye
 PHASE: 3 WIRE: 4
 SCCR: 10,000 DEMAND: 16.8 KVA
 LOCATION: STORAGE 2105

Panel Notes:

CKT NO.	LOAD DESCRIPTION	AMP	POLES	A	B	C	POLES	AMP	LOAD DESCRIPTION	CKT NO.
1	CAB-9	20 A	1	0.3	1.6			1	20 A Power, "B2	2
3	Projector	20 A	1		0.3	1		1	20 A Power, "B2	4
5	Power, "B2	20 A	1			1	1	1	20 A Power	6
7	Power	20 A	1	1	0.3			1	20 A Projector	8
9	Power	20 A	1		1.2	1		1	20 A Power	10
11	Projector	20 A	1			0.3	0.8	1	20 A Power	12
13	Hand Dryer, "P	20 A	1	1.4	1.4			1	20 A Hand Dryer, "P	14
15	Hand Dryer, "P	20 A	1		1.4	1		1	20 A Power	16
17	Hand Dryer, "P	20 A	1			1.4	0.4	1	20 A Power	18
19	SPARE	20 A	1	0	0			1	20 A SPARE	20
21	SPARE	20 A	1		0	0		1	20 A SPARE	22
23	SPARE	20 A	1			0	0	1	20 A SPARE	24
25	SPARE	20 A	1	0	0			1	20 A SPARE	26
27	SPARE	20 A	1		0	0		1	20 A SPARE	28
29	SPARE	20 A	1			0	0	1	20 A SPARE	30
31	SPARE	20 A	1	0	0			1	20 A SPARE	32
33	SPARE	20 A	1		0	0		1	20 A SPARE	34
35	SPARE	--	--			0	0	--	-- SPARE	36
37	SPARE	--	--	0	0			--	-- SPARE	38
39	SPARE	--	--		0	0		--	-- SPARE	40
41	SPARE	--	--			0	0	--	-- SPARE	42
Total Load:				6 KVA	5.9 KVA	4.9 KVA				
Total Amps:				51.28	50.45	40.83				

[Key:] "P"=PADLOCK HASP

PANEL NAME: PL2C CONNECTED 17.9 KVA
 TYPE: BOLT-ON MOUNTING: SURFACE
 FED FROM: DP-2 SOLID NEUTRAL GROUND BUS
 MAIN: 100 A/MLO VOLTS: 120/208 Wye
 PHASE: 3 WIRE: 4
 SCCR: 10,000 DEMAND: 17.9 KVA
 LOCATION: ELEC. 2108

Panel Notes:

CKT NO.	LOAD DESCRIPTION	AMP	POLES	A	B	C	POLES	AMP	LOAD DESCRIPTION	CKT NO.
1	CAB-10, "B2	20 A	1	0.3	0.4			1	20 A Power	2
3	Power	20 A	1		0.4	0.6		1	20 A Power	4
5	Power	20 A	1			0.4	0.6	1	20 A Power	6
7	Power	20 A	1	0.4	0.3			1	20 A Projector	8
9	Power	20 A	1		0.6	0.4		1	20 A Power	10
11	Power	20 A	1			1	0.4	1	20 A Power	12
13	Power	20 A	1	0.4	0.4			1	20 A Power	14
15	Power	20 A	1		0.4	0.4		1	20 A Power	16
17	Power	20 A	1			0.4	0.4	1	20 A Power	18
19	Power	20 A	1	0.4	1			1	20 A Power, "B2	20
21	SPARE	20 A	1			0	0.8	1	20 A Power, "B2	22
23	Power, "B2	20 A	1			0.8	0.8	1	20 A Power, "B2	24
25	Power, "B2	20 A	1	0.4	0.4			1	20 A Power, "B2	26
27	Power, "B2	20 A	1		0.4	0.4		1	20 A Power, "B2	28
29	Power, "B2	20 A	1			0.8	0.8	1	20 A Power, "B2	30
31	Power, "B2	20 A	1	0.8	0.3			1	20 A Projector, "B2	32
33	Power, "B2	20 A	1		1	0.6		1	20 A Power	34
35	SPARE	20 A	1			0	0	1	20 A SPARE	36
37	SPARE	20 A	1	0	0			1	20 A SPARE	38
39	SPARE	20 A	1		0	0		1	20 A SPARE	40
41	SPARE	--	--			0	0	--	-- SPARE	42
Total Load:				5.5 KVA	6 KVA	6.4 KVA				
Total Amps:				45.83	50.64	53.97				

[Key:]

PANEL NAME: PL2D CONNECTED 20.6 KVA
 TYPE: BOLT-ON MOUNTING: SURFACE
 FED FROM: DP-2 SOLID NEUTRAL GROUND BUS
 MAIN: 100 A/MLO VOLTS: 120/208 Wye
 PHASE: 3 WIRE: 4
 SCCR: 10,000 DEMAND: 20.6 KVA
 LOCATION: ELEC. 2108

Panel Notes:

CKT NO.	LOAD DESCRIPTION	AMP	POLES	A	B	C	POLES	AMP	LOAD DESCRIPTION	CKT NO.
1	Dishwasher	20 A	1	1.5	0.4			1	20 A Power	2
3	Fume Hood	20 A	1		1	0.8		1	20 A Power	4
5	Power	20 A	1			0.4	0.8	1	20 A Power	6
7	Power	20 A	1	0.8	0.4			1	20 A Power	8
9	Power	20 A	1		0.8	0.8		1	20 A Power	10
11	Power	20 A	1			0.8	0.8	1	20 A Power	12
13	Power	20 A	1	1	1			1	20 A Power	14
15	Power	20 A	1		0.4	1		1	20 A Fume Hood	16
17	Power	20 A	1			0.4	0.4	1	20 A Power	18
19	Fume Hood	20 A	1	1	1			1	20 A Fume Hood	20
21	Power	20 A	1		0.8	0.8		1	20 A Power	22
23	Ice Maker	20 A	1			0.7	0.3	1	20 A Projector	24
25	Power	20 A	1	0.4	0.6			1	20 A Power	26
27	Power	20 A	1		0.4	0.4		1	20 A Power	28
29	Power	20 A	1			0.4	0	1	20 A SPARE	30
31	Emergency Gas Shut Off, "B2	20 A	1	0.3	0			1	20 A SPARE	32
33	SPARE	20 A	1		0	0		1	20 A SPARE	34
35	SPARE	20 A	1			0	0	1	20 A SPARE	36
37	SPARE	20 A	1	0	0			1	20 A SPARE	38
39	SPARE	--	--		0	0		--	-- SPARE	40
41	SPARE	--	--			0	0	--	-- SPARE	42
Total Load:				8.4 KVA	7.2 KVA	5 KVA				
Total Amps:				72.82	62.82	41.67				

[Key:]

PANEL NAME: PL2E CONNECTED 22.1 KVA
 TYPE: BOLT-ON MOUNTING: SURFACE
 FED FROM: DP-2 SOLID NEUTRAL GROUND BUS
 MAIN: 100 A/MLO VOLTS: 120/208 Wye
 PHASE: 3 WIRE: 4
 SCCR: 10,000 DEMAND: 22.1 KVA
 LOCATION: ELEC. 2108

Panel Notes:

CKT NO.	LOAD DESCRIPTION	AMP	POLES	A	B	C	POLES	AMP	LOAD DESCRIPTION	CKT NO.
1	Power	20 A	1	0.4	0.8			1	20 A Power	2
3	Power	20 A	1		0.8	0.8		1	20 A Power	4
5	Projector	20 A	1			0.3	0.6	1	20 A Power	6
7	Power	20 A	1	0.8	1			1	20 A Power	8
9	Power	20 A	1		1	1		1	20 A Power	10
11	Power	20 A	1			1	0.4	1	20 A Power	12
13	Power	20 A	1	1.2	1.9			1	20 A Copier	14
15	Copier	20 A	1		1.9	0.8		1	20 A Power	16
17	Power	20 A	1			0.6	0.8	1	20 A Power	18
19	Power, "B2	20 A	1	0.6	0.2			1	20 A LC-SECOND CORR	20
21	EF-4	20 A	2		1.15	1.15		2	20 A EF-5	22
23	--	--	--			1.15	1.15	--	--	24
25	Heat Trace, "G, "C2	20 A	1	0.4	0			1	20 A SPARE	26
27	Heat Trace, "G, "C2	20 A	1		0.4	0		1	20 A SPARE	28
29	SPARE	20 A	1			0	0	1	20 A SPARE	30
31	SPARE	20 A	1	0	0			1	20 A SPARE	32
33	SPARE	20 A	1		0	0		1	20 A SPARE	34
35	SPARE	--	--			0	0	--	-- SPARE	36
37	SPARE	--	--	0	0			--	-- SPARE	38
39	SPARE	--	--		0	0		--	-- SPARE	40
41	SPARE	--	--			0	0	--	-- SPARE	42
Total Load:				7.3 KVA	9 KVA	6 KVA				
Total Amps:				62.5	76.67	50				

[Key:] "G"=30mA GFI BREAKER

PANEL NAME: LSH CONNECTED 4 KVA
 TYPE: Type 1 MOUNTING: SURFACE
 FED FROM: ATS-LS SOLID NEUTRAL GROUND BUS
 MAIN: 125 A/MLO VOLTS: 480/277 Wye
 PHASE: 3 WIRE: 4
 SCCR: 42,000 DEMAND: 3.96 KVA
 LOCATION: EMERGENCY ELEC. 1114

Panel Notes:

CKT NO.	LOAD DESCRIPTION	AMP	POLES	A	B	C	POLES	AMP	LOAD DESCRIPTION	CKT NO.
1	Lighting (Exterior Lighting), "C	20 A	1	0.69	1.81			1	20 A Lighting	2
3	Lighting	20 A	1		1.22	0.11		1	20 A Lighting (EXIT SIGN LEVEL-1)	4
5	Lighting (EXIT SIGN LEVEL-2)	20 A	1			0.03	0.03	3	30 A SPD-B3H, "1L, "CB	6
7	Power	20 A	1		0.03			--	--	8
9	SPARE	20 A	1		0	0.03		--	--	10
11	SPARE	20 A	1			0	0	1	20 A SPARE	12
13	SPARE	20 A	1			0	0	1	20 A SPARE	14
15	SPARE	20 A	1			0	0	1	20 A SPARE	16
17	SPARE	20 A	1			0				



ARCHITECT OF RECORD
DEMONICA KEMPER ARCHITECTS
 125 N. HALSTED STREET, SUITE 301
 CHICAGO, IL 60661
 P: 312.496.0000

STRUCTURAL AND MEP/FP ENGINEERING
KJWW ENGINEERING CONSULTANTS
 1100 WARRENVILLE RD., SUITE 400W
 NAPERVILLE, IL 60563
 P: 630.527.2320

FOOD SERVICE CONSULTANT
CINI LITTLE INTERNATIONAL, INC.
 200 E. HOWARD AVE., SUITE 212
 DES PLAINES, IL 60018
 P: 847.298.0088

JOLIET JUNIOR COLLEGE
ROMEORVILLE CAMPUS EXPANSION
 1125 135th ST. ROMEORVILLE, IL 60446
 DKA PROJECT NO: 14-005

PANEL NAME: EQH

CONNECTED 71.1 kVA

TYPE: Type 1
 MOUNTING: SURFACE
 FED FROM: AT5-EQ
 SCCR: 42,000
 LOCATION: EMERGENCY ELEC. 1114

SOLID NEUTRAL
 GROUND BUS

MAIN: 125 A/MLO
 VOLTS: 480/277 Wye
 PHASE: 3
 WIRE: 4
 DEMAND: 71.15 kVA

Panel Notes:

CKT NO.	LOAD DESCRIPTION	AMP	POLES	A	B	C	POLES	AMP	LOAD DESCRIPTION	CKT NO.
1	Lighting	20 A	1	0.89	0.78		1	20 A	Lighting	2
3	PANEL EQL VIA TR-45, *1L	70 A	3		15.5	2.93	3	20 A	P-1, *A3	4
5	--	--	--						--	6
7	--	--	--	12.78	2.93			12.79	2.93	8
9	BLR-1, *A4	20 A	3		1.8	1.8	3	20 A	BLR-2, *A4	10
11	--	--	--				1.8	1.8	--	12
13	--	--	--	1.8	1.8				--	14
15	SPARE	20 A	1		0	2.93		3	20 A	P-2, *A3
17	SPARE	20 A	1			0	2.93		--	18
19	SPARE	20 A	1	0	2.93				--	20
21	SPARE	20 A	1		0	0		1	20 A	SPARE
23	SPARE	20 A	1			0	0	1	20 A	SPARE
25	SPARE	20 A	1	0	0			1	20 A	SPARE
27	SPARE	20 A	1		0	0		1	20 A	SPARE
29	SPARE	20 A	1			0	0	1	20 A	SPARE
31	SPACE	--	--	0	0				--	32
33	SPACE	--	--		0	0			--	34
35	SPACE	--	--			0	0		--	36
37	SPACE	--	--	0	0				--	38
39	SPACE	--	--		0	0			--	40
41	SPACE	--	--			0	0		--	42
Total Load:				23.93 kVA	24.96 kVA	22.26 kVA				
Total Amps:				87.31	91.04	80.36				

[Key:] *1L= SEE ONE LINE SHEETS FOR WIRE SIZE

PANEL NAME: EQL

CONNECTED 41.1 kVA

TYPE: Type 1
 MOUNTING: SURFACE
 FED FROM: PANEL 'EQH' VIA TR-45
 SCCR: 10,000
 LOCATION: EMERGENCY ELEC. 1114

SOLID NEUTRAL
 GROUND BUS

MAIN: 160 A/MCB
 VOLTS: 120/208 Wye
 PHASE: 3
 WIRE: 4
 DEMAND: 41.07 kVA

Panel Notes:

CKT NO.	LOAD DESCRIPTION	AMP	POLES	A	B	C	POLES	AMP	LOAD DESCRIPTION	CKT NO.
1	SPD-B3L, *1L, *CB	30 A	3	0.01	0.5		1	20 A	Tech Rack, *B2	2
3	--	--	--		0.01	0.5		1	20 A	Tech Rack, *B2
5	--	--	--			0.01	0.5	1	20 A	Tech Rack, *B2
7	Power	20 A	1	0.4	0.6			1	20 A	Power
9	Sec. Access Control Panel, *B2	20 A	1		0.5	0.5		1	20 A	Tech Rack, *C2
11	Sec. Access Control Panel, *B2	20 A	1			0.5	0.5	1	20 A	Tech Rack, *C2
13	Sec. Access Control Panel, *B2	20 A	1	0.5	0.5			1	20 A	Tech Rack, *C2
15	Tech Rack, *C2	20 A	1		0.5	0.5		1	30 A	Server, *C2
17	Tech Rack, *C2	20 A	1			0.5	0.5	1	20 A	Sec. Access Control Panel, *C2
19	Tech Rack, *C2	20 A	1	0.5	0.5			1	20 A	Sec. Access Control Panel, *C2
21	Tech Rack, *C2	20 A	1		0.5	0.5		1	20 A	Sec. Access Control Panel, *C2
23	Kitchen Fire Suppression Sys	20 A	1			0.8	5.33	3	60 A	Remote Refrig Rack, *D4
25	Evaporator Coil, *B3	20 A	2	1.56	5.33				--	26
27	--	--	--		1.56	5.33			--	28
29	SP-1, *B2	20 A	1			0.2	0.2	1	20 A	ELEV SHUNT TRIP, *H
31	Server, *B2	30 A	1	0.5	1.15			1	20 A	Refrigerator, *G
33	Tech Rack, *B2	20 A	1		0.5	0.8		1	20 A	Power, *B2
35	Tech Rack, *B2	20 A	1			0.5	0.8	1	20 A	Door Operator, *C2
37	Plumbing Sensor, *B2	20 A	1	2	0.25			2	20 A	CRU-2 & CU-2, *B2
39	SPARE	20 A	1		0	0.25			--	40
41	Door Operator, *B2	20 A	1			0.2	2	1	20 A	Plumbing Sensor, *B2
43	Door Operator, *B2	20 A	1	0.4	0.2			1	20 A	Power, *B2
45	CRU-1 & CU-1, *B2	20 A	2		0.25	0.6		1	20 A	Power, *B2
47	--	--	--			0.25	0.2	1	20 A	Tech Rack, *C2
49	Power	20 A	1	0.6	0			1	20 A	SPARE
51	Boiler Shutoff, C-BLR	20 A	1		0.1	0		1	20 A	SPARE
53	SPARE	20 A	1			0	0	1	20 A	SPARE
55	SPARE	20 A	1	0	0			1	20 A	SPARE
57	SPARE	20 A	1		0	0		1	20 A	SPARE
59	SPARE	20 A	1			0	0	1	20 A	SPARE
61	SPARE	20 A	1	0	0			1	20 A	SPARE
63	SPARE	20 A	1		0	0		1	20 A	SPARE
65	SPARE	20 A	1			0	0	1	20 A	SPARE
67	SPARE	20 A	1	0	0			1	20 A	SPARE
69	SPARE	20 A	1		0	0		1	20 A	SPARE
71	SPARE	20 A	1			0	0	1	20 A	SPARE
73	SPARE	20 A	1	0	0			1	20 A	SPARE
75	SPACE	--	--		0	0			--	76
77	SPACE	--	--			0	0		--	78
79	SPACE	--	--	0	0				--	80
81	SPACE	--	--		0	0			--	82
83	SPACE	--	--			0	0		--	84
Total Load:				15.51 kVA	12.9 kVA	12.99 kVA				
Total Amps:				129.33	107.53	108.39				

[Key:] *1L= SEE ONE LINE SHEETS FOR WIRE SIZE; *CB=VERIFY CIRCUIT BREAKER SIZE WITH SELECTED SPD MANUFACTURER

BRANCH CIRCUIT WIRING KEY

WIRE ID	THHW / THWN COPPER CONDUCTORS			EQUIPMENT GROUNDING CONDUCTOR	CONDUIT
	2 WIRE	3 WIRE	4 WIRE		
A#	2#12	3#12	4#12	1#12	3/4"
B#	2#10	3#10	4#10	1#10	3/4"
C#	2#8	3#8	4#8	1#10	3/4"
D#	2#6	3#6	4#6	1#10	1"
E#	2#4	3#4	4#4	1#8	1 1/4"
F#	2#2	3#2	4#2	1#8	1 1/4"
G#	2#1	3#1	4#1	1#6	1 1/2"
H#	2#1/0	3#1/0	4#1/0	1#6	2"

ALL BRANCH CIRCUITS SHALL INCLUDE THE EQUIPMENT GROUND CONDUCTOR.

KJWW ENGINEERING CONSULTANTS
 1100 WARRENVILLE ROAD, SUITE 400W
 NAPERVILLE, ILLINOIS 60563
 P: 630.527.2320 FAX: 630.627.2321
 WWW.KJWW.COM

KJWW ENGINEERING
 1100 WARRENVILLE ROAD, SUITE 400W
 NAPERVILLE, ILLINOIS 60563
 P: 630.527.2320 FAX: 630.627.2321
 WWW.KJWW.COM

DESIGN FIRM REGISTRATION #14-046330
 PROJECT # 14-046330

KJWW ENGINEERING RESERVES PROPRIETARY RIGHTS, INCLUDING COPYRIGHTS, TO THIS DRAWING AND THE DATA SHOWN THEREON. SUCH DRAWING AND/OR DATA ARE THE EXCLUSIVE PROPERTY OF KJWW ENGINEERING AND SHALL NOT BE USED OR REPRODUCED FOR ANY OTHER PROJECT WITHOUT THE EXPRESS WRITTEN APPROVAL AND PARTICIPATION OF KJWW ENGINEERING. © 2015 KJWW, P.C.

REFERENCE SCALE IN INCHES
 0 1 2 3

SHEET STATUS: 9/21/15

ISSUED FOR CONSTRUCTION

NO. DESCRIPTION: DATE:

SHEET TITLE:
ELECTRICAL PANEL SCHEDULES

SHEET NUMBER:

E5.12



ARCHITECT OF RECORD
DEMONICA KEMPER ARCHITECTS
 125 N. HALSTED STREET, SUITE 301
 CHICAGO, IL 60661
 P: 312.496.0000

STRUCTURAL AND MEP/FP ENGINEERING
KJWW ENGINEERING CONSULTANTS
 1100 WARRENVILLE RD., SUITE 400W
 NAPERVILLE, IL 60563
 P: 630.527.2320

FOOD SERVICE CONSULTANT
CINI LITTLE INTERNATIONAL, INC.
 200 E. HOWARD AVE., SUITE 212
 DES PLAINES, IL 60018
 P: 847.298.0088

JOLIET JUNIOR COLLEGE
ROMEORVILLE CAMPUS EXPANSION
 1125 135th ST. ROMEORVILLE, IL 60446
 DKA PROJECT NO: 14-005

KEY PLAN:

SHEET STATUS: 9/21/15
ISSUED FOR CONSTRUCTION

NO.	DESCRIPTION:	DATE:

SHEET TITLE:
ELECTRICAL ONE LINE DIAGRAM-NORMAL

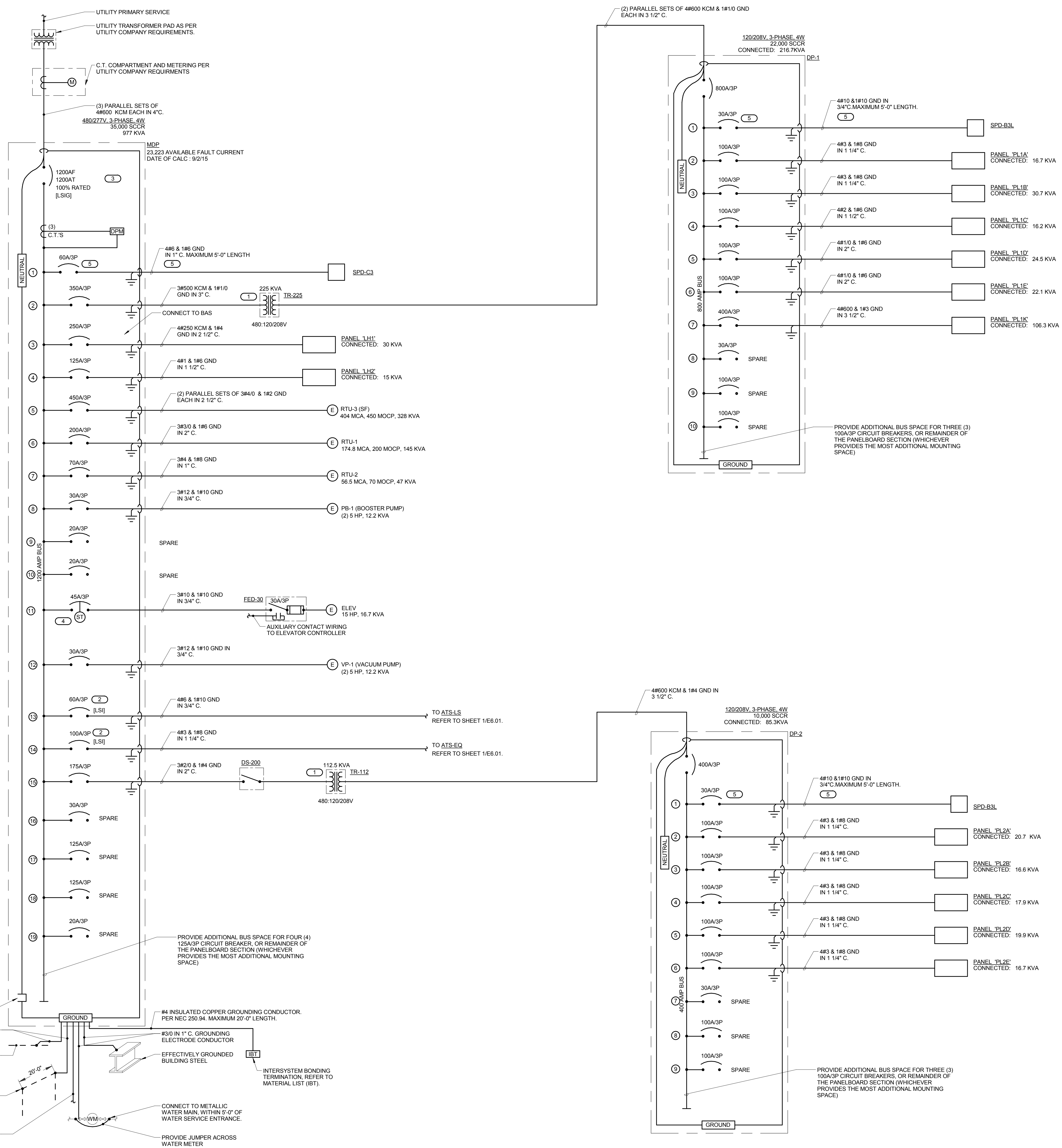
SHEET NUMBER:
E6.00

- KEYNOTES (E)**
- REFER TO 265.01 FOR TRANSFORMER WIRING DETAIL.
 - THIS BRANCH REQUIRES SELECTIVE COORDINATION OF ALL SUPPLY SIDE OVER CURRENT DEVICES WITH BRANCH DEVICES. REFER TO SPECIFICATION SECTION 26 05 73 FOR ADDITIONAL REQUIREMENTS.
 - SERVICE ENTRANCE DISCONNECT SHALL BE CLEARLY LABELED TO IDENTIFY THERE IS A PHOTOVOLTAIC SYSTEM INTERCONNECTION. REFER TO SPECIFICATION SECTION 31 00 FOR ADDITIONAL INFORMATION.
 - REFER TO 564.01 FOR ELEVATOR SHUNT TRIP WIRING DIAGRAM.
 - VERIFY ELECTRICAL REQUIREMENTS WITH SELECTED MANUFACTURER.

- GENERAL SHEET NOTES**
- REFER TO SHEET E0.00 FOR GENERAL INSTALLATION NOTES AND ELECTRICAL SYMBOL LIST.
 - REFER TO SHEETS E5.10 THROUGH E5.12 FOR PANEL SCHEDULES.
 - REFER TO E5.02 FOR TRANSFORMER, TRANSFER SWITCH, VFD, CONTACTOR, AND DISCONNECT AND STARTER SCHEDULES.

ONE LINE DIAGRAM NOTES

- SCCR RATINGS LISTED FOR EQUIPMENT ARE MINIMUM REQUIREMENTS FOR BUS BRACING AND DEVICE RATING. ALL EQUIPMENT SHALL BE FULLY RATED UNLESS SPECIFICALLY NOTED AS SERIES RATED.
- INDICATES DIRECT CONNECTION OF GROUND CONDUCTOR TO GROUND BUS.
- INDICATES O.Z. GEDNEY OR EQUAL GROUND BUSHING BONDED TO GROUND BUS WITH CONDUCTOR SIZED TO MAXIMUM FEEDER GROUND CAPACITY.
- AF INDICATES MOLDED/INSULATED CASE BREAKER FRAME SIZE, FOR ADJUSTABLE TRIP BREAKERS.
- AT INDICATES MOLDED/INSULATED CASE BREAKER TRIP UNIT RATING, FOR ADJUSTABLE TRIP BREAKERS.
- [LSIG] INDICATES FEATURES PROVIDED WITH SOLID STATE CIRCUIT BREAKER (LONG TIME (W/Delay), SHORT TIME (W/Delay), INSTANTANEOUS, GROUND FAULT).
- CONDUCTOR AND CONDUIT SIZES ON THE LINE AND LOAD SIDES OF ALL VFD'S AND DISCONNECT SWITCHES SHALL BE IDENTICAL UNLESS NOTED OTHERWISE.
- [DPM] INDICATES DIGITAL POWER MONITOR.
- [M] INDICATES KILOWATT-HOUR METER AS SUPPLIED BY UTILITY COMPANY.
- [E] INDICATES CURRENT TRANSFORMER, SIZE AS SPECIFIED.
- [ST] INDICATES SHUNT TRIP BREAKER.



1 ELECTRICAL ONE LINE DIAGRAM - NORMAL
 NO SCALE

KJWW ENGINEERING CONSULTANTS
 1100 WARRENVILLE ROAD, SUITE 400W
 NAPERVILLE, ILLINOIS 60563
 630.527.2320 FAX: 630.527.2321
 WWW.KJWW.COM
 PROJECT # 14-005-00

DESIGN FIRM REGISTRATION #14-005-00

KJWW ENGINEERING RESERVES PROPRIETARY RIGHTS, INCLUDING COPYRIGHTS, TO THIS DRAWING AND THE DATA SHOWN THEREON. SUCH DRAWING AND/OR DATA ARE THE EXCLUSIVE PROPERTY OF KJWW ENGINEERING AND SHALL NOT BE USED OR REPRODUCED FOR ANY OTHER PROJECT WITHOUT THE EXPRESS WRITTEN APPROVAL AND PARTICIPATION OF KJWW ENGINEERING. © 2015 KJWW, P.C.

REFERENCE SCALE IN INCHES
 0 1 2 3



ARCHITECT OF RECORD
DEMONICA KEMPER ARCHITECTS
 125 N. HALSTED STREET, SUITE 301
 CHICAGO, IL 60661
 P: 312.496.0000

STRUCTURAL AND MEP/FP ENGINEERING
KJWW ENGINEERING CONSULTANTS
 1100 WARRENVILLE RD., SUITE 400W
 NAPERVILLE, IL 60563
 P: 630.527.2320

FOOD SERVICE CONSULTANT
CINI LITTLE INTERNATIONAL, INC.
 200 E. HOWARD AVE., SUITE 212
 DES PLAINES, IL 60018
 P: 847.298.0088

**JOLIET JUNIOR COLLEGE
 ROMEVILLE CAMPUS EXPANSION**
 1125 135th ST. ROMEVILLE, IL 60446
 DKA PROJECT NO: 14-005

KEY PLAN:

SHEET STATUS: 9/21/15
**ISSUED FOR
 CONSTRUCTION**

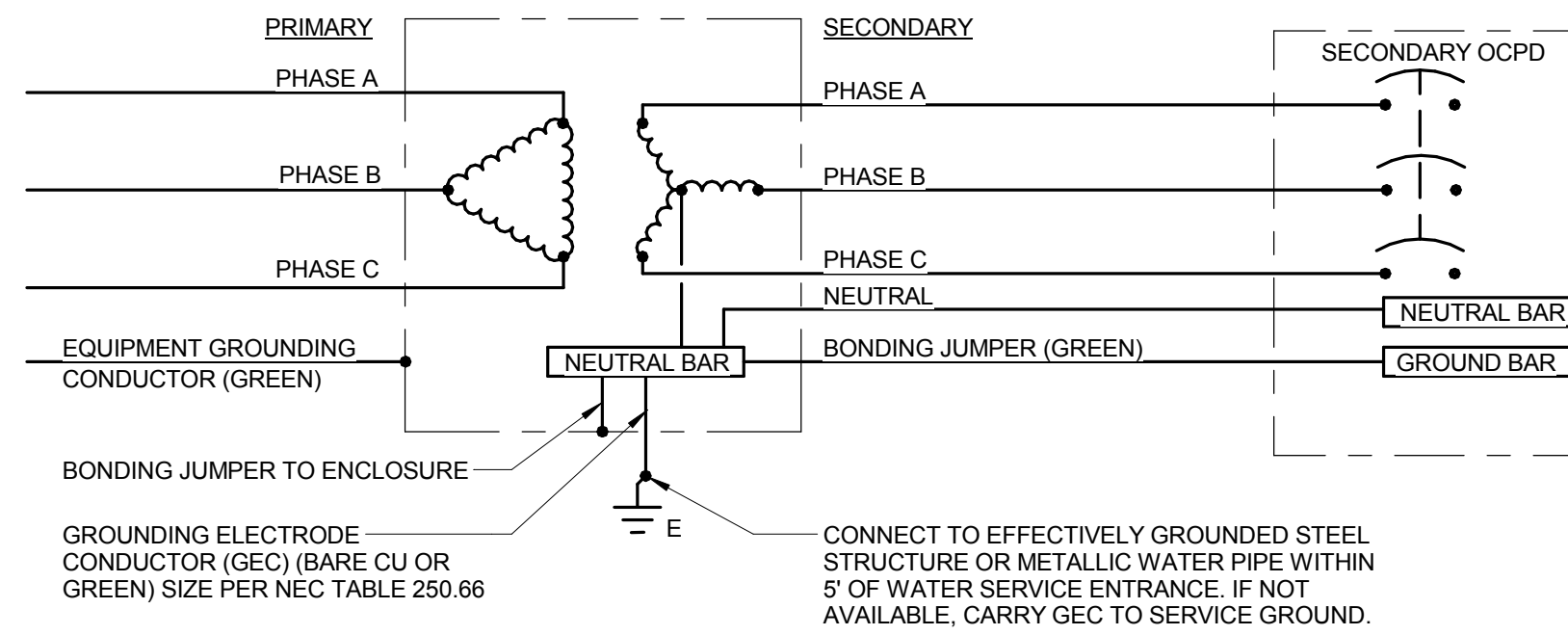
NO.	DESCRIPTION:	DATE:

SHEET TITLE:
**ELECTRICAL ONE
 LINE
 DIAGRAM-EMERGENCY**

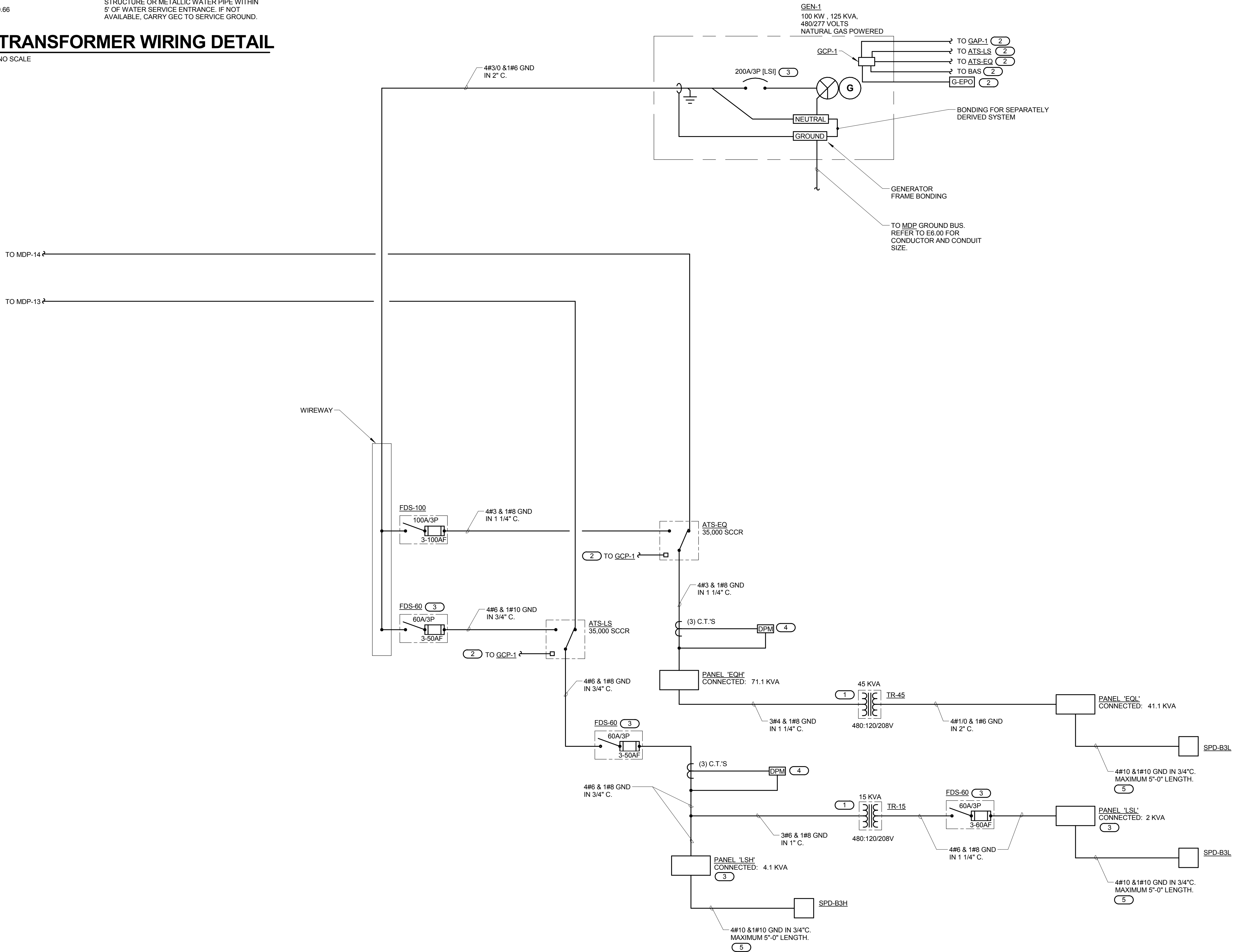
SHEET NUMBER:
E6.01

- KEYNOTES (E)**
- REFER TO 265.01 FOR TRANSFORMER WIRING DETAIL.
 - ROUTE CONTROL WIRING PER MANUFACTURER'S REQUIREMENTS IN MINIMUM 1" C.
 - THIS BRANCH REQUIRES SELECTIVE COORDINATION OF ALL SUPPLY SIDE OVER CURRENT DEVICES WITH BRANCH DEVICES. REFER TO SPECIFICATION SECTION 26 05 73 FOR ADDITIONAL REQUIREMENTS.
 - DIGITAL POWER METER AND DISPLAY SHALL BE MOUNTED NEXT TO THE TRANSFER SWITCH IT'S SERVING. PROVIDE ENCLOSURE FOR THE METER. CONNECT METER TO THE BUILDING AUTOMATION SYSTEM.
 - VERIFY ELECTRICAL REQUIREMENTS WITH SELECTED MANUFACTURER.

- GENERAL SHEET NOTES**
- REFER TO SHEET E0.00 FOR GENERAL ELECTRICAL NOTES, ELECTRICAL SYMBOL LIST.
 - REFER TO SHEETS E5.10 THROUGH E5.12 FOR PANEL SCHEDULES.
 - REFER TO E5.02 FOR TRANSFORMER, TRANSFER SWITCH, VFD, CONTACTOR, AND DISCONNECT AND STARTER SCHEDULES.
 - REFER TO SHEET E6.00 FOR ONE LINE DIAGRAM NOTES.



2 TRANSFORMER WIRING DETAIL
 NO SCALE



1 ELECTRICAL ONE LINE DIAGRAM - EMERGENCY
 NO SCALE

KJWW ENGINEERING CONSULTANTS
 1100 WARRENVILLE ROAD, SUITE 400W
 NAPERVILLE, ILLINOIS 60563
 630.527.2320 FAX: 630.627.2321
 WWW.KJWW.COM
 PROJECT # 14-0463-00
 DESIGN FIRM REGISTRATION #18-00873
 KJWW ENGINEERING RESERVES PROPRIETARY RIGHTS, INCLUDING COPYRIGHTS, TO THIS DRAWING AND THE DATA SHOWN THEREON. SAID DRAWING AND/OR DATA ARE THE EXCLUSIVE PROPERTY OF KJWW ENGINEERING AND SHALL NOT BE USED OR REPRODUCED FOR ANY OTHER PROJECT WITHOUT THE EXPRESS WRITTEN APPROVAL AND PARTICIPATION OF KJWW ENGINEERING. © 2015 KJWW, P.C.



ARCHITECT OF RECORD
DEMONICA KEMPER ARCHITECTS
 125 N. HALSTED STREET, SUITE 301
 CHICAGO, IL 60661
 P: 312.496.0000

STRUCTURAL AND MEP/FP ENGINEERING
KJWW ENGINEERING CONSULTANTS
 1100 WARRENVILLE RD., SUITE 400W
 NAPERVILLE, IL 60563
 P: 630.527.2320

FOOD SERVICE CONSULTANT
CINI LITTLE INTERNATIONAL, INC.
 200 E. HOWARD AVE., SUITE 212
 DES PLAINES, IL 60018
 P: 847.298.0088

JOLIET JUNIOR COLLEGE
ROMEORVILLE CAMPUS EXPANSION
 1125 135th ST. ROMEORVILLE, IL 60446
 DKA PROJECT NO: 14-005

GENERAL TECHNOLOGY NOTES:

- "1/13.00" INDICATES DETAIL NUMBER / SHEET NUMBER.
- "SC-10-W" INDICATES GENERAL TECHNOLOGY EQUIPMENT SCHEDULE ITEM LABELED AS "EQUIPMENT LIST ABBREVIATION".
- A SLASH IS USED BETWEEN TWO SUBSCRIPTS, I.E. AH-1.
- REFER TO THE GENERAL TECHNOLOGY EQUIPMENT SCHEDULE AND SPECIFICATIONS FOR FULL DESCRIPTIONS AND MANUFACTURERS OF ALL DEVICES.
- "(T)" INDICATES KEYED NOTE USED TO DESCRIBE ADDITIONAL INFORMATION OF WORK REQUIRED, SPECIFIC TO THE SHEET AND/OR DETAIL IT IS SHOWN WITH.

FROM FINISHED FLOOR TO CENTERLINE MOUNTING SUBSCRIPT KEY:

- TECHNOLOGY OUTLETS
- /A MOUNT ABOVE COUNTER (+6" TO CENTERLINE ABOVE COUNTER OR BACKSPLASH)
 - /L MOUNT IN LAB CASEWORK
 - /H MOUNT HORIZONTAL

ABBREVIATION KEY:

- T.C. TECHNOLOGY CONTRACTOR
- AV-C. AUDIOVISUAL CONTRACTOR
- E.C. ELECTRICAL CONTRACTOR
- M.C. MECHANICAL CONTRACTOR
- G.C. GENERAL CONTRACTOR
- AFF ABOVE FINISH FLOOR
- BFC BELOW FINISHED CEILING
- C CONDUIT
- SIM SIMILAR
- TYP TYPICAL
- #F MOUNTING HEIGHT ABOVE FINISHED FLOOR
- J-BOX JUNCTION BOX

TELECOM ROOM ABBREVIATION KEY:

- EF-# ENTRANCE FACILITY
- HC-# HORIZONTAL CROSS-CONNECT
- IC-# INTERMEDIATE CROSS-CONNECT
- MC-# MAIN CROSS-CONNECT
- TR-# TELECOMMUNICATIONS ROOM

LINE TYPE KEY:

- NEW WORK BY THIS CONTRACTOR (DARK SOLID LINE)
- NEW WORK UNDERFLOOR OR UNDERGROUND BY THIS CONTRACTOR (DARK LONG DASHED LINE)
- NEW WORK BY OTHERS, AND/OR EXISTING TO REMAIN (LIGHT SOLID LINE)
- EXISTING TO BE REMOVED BY THIS CONTRACTOR (DARK SHORT DASHED LINE)

TECHNOLOGY INSTALLATION NOTES:

- THE COMPLETE INSTALLATION SHALL BE IN ACCORDANCE WITH THE 2010 ADA STANDARDS FOR ACCESSIBLE DESIGN. REFER TO THE ADA REQUIREMENTS FOR ALL CONFIGURATIONS DETAIL ON THIS PAGE FOR ADDITIONAL INFORMATION.
- CONCEAL ALL CONDUIT IN WALLS, PARTITIONS, ABOVE CEILING, AND IN FLOOR SLAB, ETC. UNLESS OTHERWISE INDICATED ON THE PLANS OR IN THE SPECIFICATIONS. CONDUIT IN MECHANICAL ROOMS AND STORAGE ROOMS WITHOUT CEILINGS MAY BE EXPOSED ON BUILDING STRUCTURE. BOXES LOCATED ON OPPOSITE SIDES OF NON-RATED WALLS SHALL BE OFFSET A MINIMUM OF 6" HORIZONTALLY. BOXES ON OPPOSITE SIDES OF FIRE RATED WALLS SHALL BE OFFSET A MINIMUM OF 24" HORIZONTALLY. "THRU-THE-WALL" BOXES SHALL NOT BE ALLOWED WITHOUT PRIOR WRITTEN APPROVAL OF THE ARCHITECT/ENGINEER.
- CONTRACTOR SHALL VERIFY ALL FURNITURE, MODULAR FURNITURE AND EQUIPMENT LOCATIONS WITH ARCHITECTURAL PLANS, ELEVATIONS AND REVISED SHOP DRAWINGS. PRIOR TO MAKING THE ACTUAL TELECOMMUNICATIONS INSTALLATION THIS CONTRACTOR SHALL ADJUST OUTLETS OR CONNECTION LOCATIONS TO ACCOMMODATE FURNITURE AND/OR EQUIPMENT.
- TELECOMMUNICATIONS EQUIPMENT SHALL BE MOUNTED TO ALLOW ACCESS TO ELECTRICAL AND MECHANICAL EQUIPMENT. ALL MOUNTING OF TELECOMMUNICATION DEVICES ON EQUIPMENT SUPPLIED BY ANOTHER CONTRACTOR SHALL BE APPROVED IN ADVANCE BY THE OTHER CONTRACTOR.
- CONTRACTOR SHALL BE RESPONSIBLE FOR ALL OPENINGS REQUIRED IN WALLS. ALL OPENINGS SHALL BE REPAIRED TO MATCH EXISTING BY A QUALIFIED CONTRACTOR AT THE EXPENSE OF THIS CONTRACTOR. ALL CONDUITS THROUGH WALLS SHALL BE GROUTED OR SEALED INTO OPENINGS.
- ALL MATERIALS USED TO SEAL PENETRATIONS OF FIRE RATED WALLS AND FLOORS SHALL BE TESTED AND CERTIFIED AS A SYSTEM PER ASTM E814 STANDARDS FOR FIRE TESTS OF THROUGH-PENETRATION FIRESTOPS. REFER TO 26 05 03.
- CONTRACTOR SHALL REMOVE AND REINSTALL ALL CEILING TILES AS REQUIRED FOR THE EXECUTION OF TELECOMMUNICATIONS WORK THAT IS OUTSIDE THE CONTRACT LIMITS OF CONSTRUCTION. CONTRACTOR SHALL REPLACE CEILING TILES WITH IDENTICAL MATERIAL WHERE DAMAGED BY THIS CONTRACTOR.
- FIRESTOPPING REFERS TO THE ITEMS SPECIFICALLY ADDRESSED IN DIVISION 26, 27 AND 28 DOCUMENTS. REFER TO THE INDIVIDUAL SPECIFICATION SECTIONS FOR INFORMATION SPECIFIC TO FIRESTOPPING.
- ALL "LADDER RACK" AND "CABLE TRAY" SIZES ARE AS DEFINED ON THE DRAWINGS. REFER TO SPECIFICATIONS SECTION 27 05 28 AND 27 11 00 FOR APPROVED MANUFACTURERS AND INSTALLATION REQUIREMENTS.

SUGGESTED MATRIX OF SCOPE RESPONSIBILITY

ITEM	SHOWN ON:	FURNISHED BY:	NOTES:
TECHNOLOGY ROUGH-IN. REFER TO GENERAL TECHNOLOGY EQUIPMENT SCHEDULE AND SPECIFICATIONS FOR DEFINITION	T-SERIES	E.C.	3, 4.
INFORMATION OUTLET FACEPLATES, JACKS, AND TERMINATIONS	T-SERIES	T.C.	
CONDUIT SLEEVES (WHEN SHOWN ON DRAWINGS)	T-SERIES	E.C.	
CONDUIT SLEEVES (NOT SHOWN BUT REQUIRED FOR PROPER INSTALLATION OF SYSTEM)	N/A	T.C.	2, 4.
TELECOMMUNICATION SYSTEMS ROUGH-IN	T-SERIES	T.C.	1.
TELECOMMUNICATION EQUIPMENT, CABLING, AND TERMINATIONS	T-SERIES	T.C.	
CABLE TRAY (INCLUDING WIRE BASKET TRAY) REFER TO SPECIFICATION SECTION 27 05 28 FOR DEFINITION	T-SERIES	E.C.	
LADDER RACK	T-SERIES	T.C.	5.
GROUNDING LUGS ON TECHNOLOGY EQUIPMENT	T-SERIES	T.C.	6.
BONDING SYSTEM FOR TECHNOLOGY SYSTEM. REFER TO SPECIFICATION SECTION 27 05 26 FOR DEFINITION	T-SERIES	E.C.	7, 8.
CONNECTION OF TECHNOLOGY BONDING SYSTEM TO THE ELECTRICAL GROUND SYSTEM	T-SERIES	E.C.	
LINE VOLTAGE POWER (+120V OR GREATER)	E-SERIES	E.C.	
LINE VOLTAGE POWER (NOT SHOWN BUT REQUIRED FOR PROPER INSTALLATION OF SYSTEM)	N/A	T.C.	2, 4.
LINE VOLTAGE POWER FOR DOOR HARDWARE POWER SUPPLIES	ARCH SPEC	E.C.	
LOW VOLTAGE CABLING FOR TECHNOLOGY SYSTEMS	T-SERIES	T.C.	
CABLE HANGERS AND SUPPORTS OR OTHER CABLE ROUTING METHODS (OTHER THAN CONDUIT AND CABLE TRAY)	T-SERIES	T.C.	5.
TECHNOLOGY SERVICE ENTRANCE CONDUITS, HANDHOLES, AND MANHOLES	E-SERIES	E.C.	
FLOOR BOX (ROUGH-IN)	T & E SERIES	E.C.	

SUGGESTED MATRIX OF SCOPE RESPONSIBILITY NOTES

- LOCATIONS OF TELECOMMUNICATIONS ROUGH-INS SHALL BE INDICATED BY THE INFORMATION OUTLET SYMBOLS ON THE CONTRACT DOCUMENTS. REFER TO THE TECHNOLOGY SYMBOL LIST FOR ADDITIONAL INFORMATION.
- BASED ON THE INHERENT DIFFERENCES IN PRODUCTS FROM VARIOUS MANUFACTURERS, ALL REQUIRED EQUIPMENT MAY NOT BE SHOWN ON THE DRAWINGS FOR ALL ACCEPTABLE MANUFACTURERS.
- INCLUDES BACKBOXES AND CONDUIT REQUIRED FOR THE TECHNOLOGY SYSTEMS INSTALLATION. THE E.C. SHALL BASE THE BID ON THE BASIS OF DESIGN SHOWN ON THE CONTRACT DOCUMENTS.
- ALL CHANGES TO THE SLEEVES, BACKBOXES, CONDUITS, AND POWER REQUIRED BECAUSE OF THE T.C.'S SELECTION OF AN ALTERNATE ACCEPTABLE MANUFACTURER (OR FROM SYSTEM CONFIGURATIONS THAT ARE LEFT TO THE CHOICE OF THE CONTRACTOR) SHALL BE INCLUDED IN THE T.C.'S BID. THIS BID SHALL INCLUDE INSTALLATION BY A LICENSED ELECTRICIAN.
- UNLESS TRADE RULES DICTATE OTHERWISE.
- FURNISHED AS PART OF THE EQUIPMENT WHEN POSSIBLE, OR FURNISHED TO THE E.C. FOR INSTALLATION IN THE FIELD.
- INCLUDES ALL CONDUCTORS, GROUND BARS, AND TERMINATIONS FOR THE COMPLETE BONDING SYSTEM REQUIRED BY THE SPECIFICATIONS.
- REFER TO ELECTRICAL DRAWINGS FOR LOCATIONS OF PANELS AND SWITCHBOARDS SHOWN IN THE TECHNOLOGY BONDING RISER DIAGRAM AND TYPICAL TELECOM ROOM BONDING FLOW DIAGRAM.

TELECOM ROOM REFERENCES

TELECOM ROOM	DETAIL / SHEET REFERENCE	FLOOR PLAN REFERENCE	ARCH ROOM NUMBER
HC-1	1/13.00	T1.12	1115
HC-2	5/13.00	T1.11	1106

TECHNOLOGY SYMBOL LIST

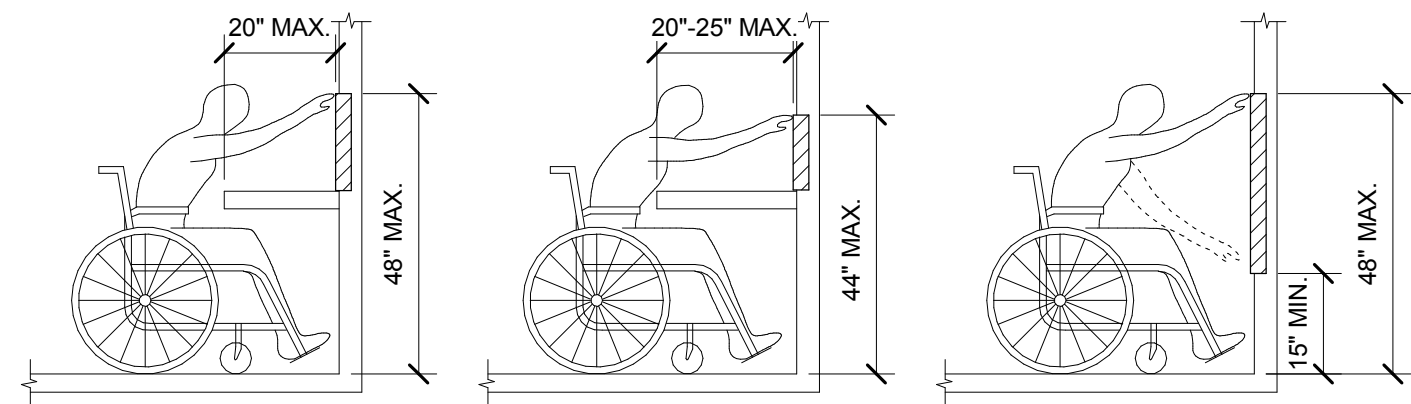
SYMBOL	EQUIPMENT LIST ABBREVIATION	DESCRIPTION	NOTES:
DS	SC-10-C	DIGITAL SIGNAGE LOCATION (CEILING)	.
C#	SC-10-C	INFORMATION OUTLET (CEILING)	1.
C#-WAP	SC-10-C	WIRELESS ACCESS POINT DEVICE/ENCLOSURE (CEILING)	.
C#	SC-10-W	INFORMATION OUTLET (WALL)	1.
DS	SC-10-W	DIGITAL SIGNAGE LOCATION - WALL	.
W	SC-WP-W	WALL PHONE	.
C#	SC-10-FB	ELECTRICAL FLOOR BOX WITH TECHNOLOGY	1, 4.
R#	SC-R#-W	INFORMATION OUTLET ROUGH-IN (WALL)	.
CR1	AC-CR1-W	CREDENTIAL READER - TYPE 1	3.
LD	AC-LD-W	DOOR LOCK DOWN DEVICE ROUGH-IN	3.
CSS	N/A	CONTROLLED SECURITY SCHEME SCHEDULE IDENTIFIER	3.
S1	PA-S1-C	FACILITY PAGING SPEAKER - TYPE 1 (CEILING)	.
SP1	AV-SP1-C	PERFORMANCE AUDIO SPEAKER (CEILING) - TYPE 1	.
SP2	AV-SP2-C	PERFORMANCE AUDIO SPEAKER (CEILING) - TYPE 2	.
EP	IC-EP-W	EMERGENCY PHONE - WALL	.
C1	CC-C1-W	WIRELESS ANALOG CLOCK - WALL	.
WP1	AV-WP1-W	AV INPUT WALL PLATE - TYPE 1	.
AV	AV-WP2-W	AV INPUT WALL PLATE - TYPE 2	.
AV2	AV-RCV-1	AV OUTLET (CEILING)	.

GENERAL NOTES:

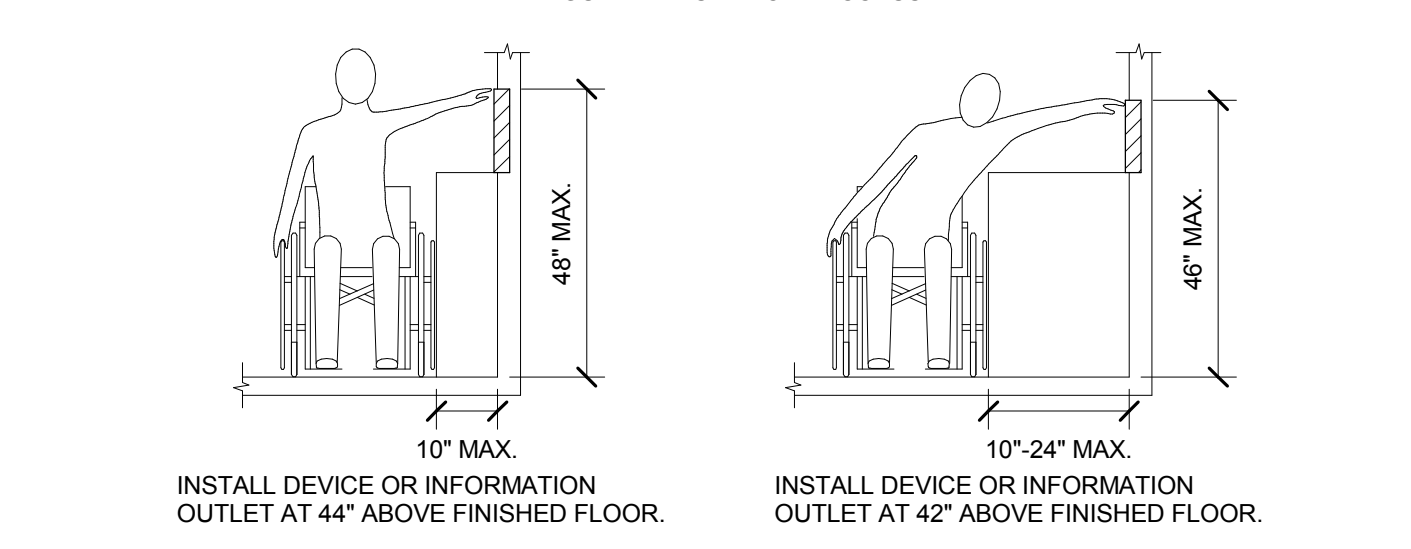
- ALL SYMBOLS AND ABBREVIATIONS LISTED MAY NOT BE APPLICABLE TO THIS PROJECT. REFER TO THE GENERAL TECHNOLOGY EQUIPMENT SCHEDULE FOR MORE COMPLETE DESCRIPTION AND ITEMS.
- ALL SYMBOLS AND ABBREVIATIONS REFER TO TECHNOLOGY SHEETS ONLY AS DEFINED ON THE SHEET INDEX. REFER TO THE GENERAL TECHNOLOGY NOTES FOR ADDITIONAL INFORMATION.
- ALL SYMBOLS LISTED ABOVE ARE FOR REFERENCE ONLY. REFER TO PLANS AND LINE TYPES KEY FOR NEW, EXISTING TO REMAIN AND TO BE REMOVED ITEMS FOR ADDITIONAL INFORMATION.

TECHNOLOGY SYMBOL NOTES:

- "C#" INDICATES INFORMATION OUTLET FACEPLATE CONFIGURATION. REFER TO INFORMATION OUTLET SCHEDULE ON T6.00 FOR ADDITIONAL INFORMATION.
- SYMBOL SUBSCRIPT INDICATES DEVICE TYPE. REFER TO EQUIPMENT SCHEDULE ON T6.00 FOR ADDITIONAL INFORMATION.
- REFER TO CONTROLLED SECURITY SCHEME (CSS) TYPE SCHEDULE ON T6.00 FOR ADDITIONAL INFORMATION.
- INFORMATION OUTLET INSTALLED IN E.C. PROVIDED FLOOR BOX. "C#" INDICATES INFORMATION OUTLET FACEPLATE CONFIGURATION. REFER TO INFORMATION OUTLET SCHEDULE ON T6.00 FOR ADDITIONAL INFORMATION. REFER TO THE ELECTRICAL FLOOR PLANS AND ELECTRICAL EQUIPMENT SCHEDULE FOR ADDITIONAL INFORMATION.



INSTALL DEVICE OR INFORMATION OUTLET AT 44" ABOVE FINISHED FLOOR. INSTALL DEVICE OR INFORMATION OUTLET AT 46" ABOVE FINISHED FLOOR. INSTALL DEVICE OR INFORMATION OUTLET AT 44" MAX. ABOVE FINISHED FLOOR.



INSTALL DEVICE OR INFORMATION OUTLET AT 44" ABOVE FINISHED FLOOR. INSTALL DEVICE OR INFORMATION OUTLET AT 42" ABOVE FINISHED FLOOR.

ADA GUIDELINES FOR ALL CONFIGURATIONS

FIRE BARRIER DESIGNATIONS

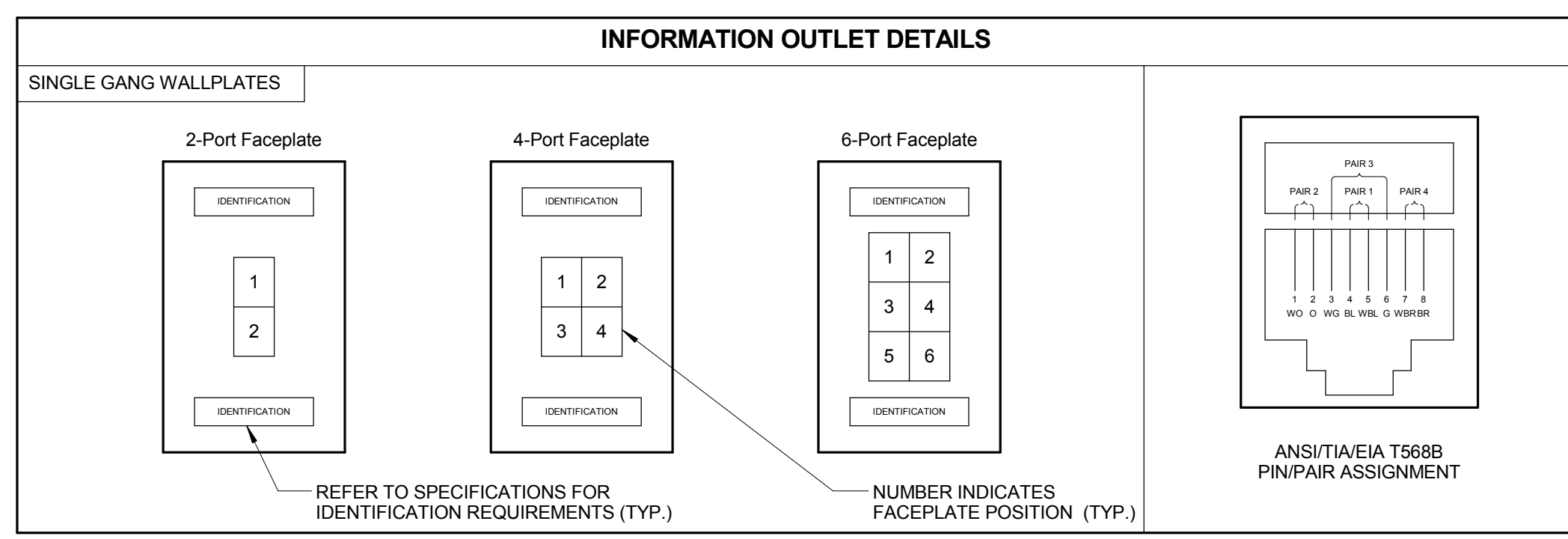
THE SYMBOLS SHOWN ARE FOR THE CONVENIENCE OF THE CONTRACTOR. THE CONTRACTOR SHALL VERIFY RATINGS WITH THE LATEST SET OF ARCHITECTURAL PLANS AND FURNISH ALL MATERIALS REQUIRED TO COMPLY WITH THOSE RATINGS WHETHER SHOWN OR NOT.

ALL FLOOR, FLOOR CEILING, AND ROOF CEILING ASSEMBLIES SHALL BE DESIGNATED AS 1 HOUR FIRE BARRIER(S), UNLESS NOTED OTHERWISE ON THE PLANS. RATINGS WERE ACQUIRED FROM THE ARCHITECTURAL PLANS DATED 08/12/2015.

1 HOUR FIRE BARRIER

TECHNOLOGY SHEET INDEX

T0.00	TECHNOLOGY COVER SHEET
T1.11	LEVEL 1 PLAN - WEST - TECHNOLOGY
T1.12	LEVEL 1 PLAN - EAST - TECHNOLOGY
T1.21	LEVEL 2 PLAN - WEST - TECHNOLOGY
T1.22	LEVEL 2 PLAN - EAST - TECHNOLOGY
T3.00	ENLARGED PLANS - TECHNOLOGY
T4.00	TECHNOLOGY DETAILS
T4.01	TECHNOLOGY DETAILS
T5.00	TECHNOLOGY DETAILS AND SCHEDULES
T6.00	TECHNOLOGY EQUIPMENT SCHEDULE



INFORMATION OUTLET SCHEDULE LEGEND

JACK TYPE	IO SCHEDULE DESCRIPTION
AV	SHIELDED CAT 6 RJ-45
BLANK	BLANK FILLER MODULE
COAX	F-CONNECTOR
DATA	CAT 6 RJ-45

INFORMATION OUTLET SCHEDULE

NOTE: REFER TO THE INFORMATION OUTLET SCHEDULE LEGEND FOR POSITION JACK TYPE DESCRIPTION, THE INFORMATION OUTLET DETAILS AND T6.00 GENERAL TECHNOLOGY EQUIPMENT SCHEDULE FOR ADDITIONAL INFORMATION.

CONFIGURATION	FACEPLATE PORTS	FACEPLATE FEATURES												SCHEDULE NOTES		
		POSITION 1 JACK TYPE	POSITION 2 JACK TYPE	POSITION 3 JACK TYPE	POSITION 4 JACK TYPE	POSITION 5 JACK TYPE	POSITION 6 JACK TYPE	POSITION 7 JACK TYPE	POSITION 8 JACK TYPE	POSITION 9 JACK TYPE	POSITION 10 JACK TYPE	POSITION 11 JACK TYPE	POSITION 12 JACK TYPE			
AV1	2	AV	BLANK													
C1	2	DATA	BLANK													
C1-C	0	DATA														2.
C2	2	DATA	DATA													
C2-WAP	0	DATA	DATA													1.
C3	4	DATA	DATA	DATA	BLANK											
C4	2	DATA	DATA	DATA	DATA											
CB	6	DATA	DATA	DATA	DATA	DATA										
DS	2	DATA	COAX													

NOTES:

- PROVIDE REMOVABLE BLANK INSERT FOR UNUSED PORTS (PANDUIT CMB SERIES OR PREAPPROVED EQUAL).
- REFER TO SPECIFICATIONS FOR LABELING REQUIREMENTS.
- REFER TO FLOOR PLANS FOR DEVICE QUANTITIES AND LOCATION.
- JACKS SHALL BE CONFIGURED PER ANSI/TIA/EIA T568B REQUIREMENTS.
- REFER TO T6.00 FOR GENERAL TECHNOLOGY EQUIPMENT SCHEDULE.

SCHEDULE NOTES:

- LOCATION OF FUTURE WIRELESS ACCESS POINT. CONTRACTOR SHALL TERMINATE CABLES ON 8P8C RJ-45 PLUG FOR DIRECT CONNECTION DEVICE, PROVIDE A 20' SLACK COIL AT NEAREST CABLE SUPPORT FOR POSSIBLE RELOCATION BY OWNER.
- CONTRACTOR SHALL TERMINATE CABLES ON 8P8C RJ-45 PLUG FOR DIRECT CONNECTION TO FUTURE CCTV CAMERA. PROVIDE 20' SLACK AT NEAREST CABLE SUPPORT FOR POSSIBLE RELOCATION BY OWNER.

KEY PLAN:

SHEET STATUS: 9/21/15
ISSUED FOR CONSTRUCTION

NO.	DESCRIPTION:	DATE:

SHEET TITLE:
TECHNOLOGY COVER SHEET

KJWW ENGINEERING CONSULTANTS
 1100 WARRENVILLE ROAD, SUITE 400W
 NAPERVILLE, ILLINOIS 60563
 630.527.2320 FAX: 630.527.2321
 WWW.KJWW.COM
 PROJECT #: 14.043.00
 Design Firm Registration #14-00577

KJWW ENGINEERING RESERVES PROPRIETARY RIGHTS, INCLUDING COPYRIGHTS. TO THIS DRAWING AND THE DATA SHOWN THEREON. SUCH DRAWING AND/OR DATA ARE THE EXCLUSIVE PROPERTY OF KJWW ENGINEERING AND SHALL NOT BE USED OR REPRODUCED FOR ANY OTHER PROJECT WITHOUT THE EXPRESS WRITTEN APPROVAL AND PARTICIPATION OF KJWW ENGINEERING. © 2015 KJWW, P.C.

SHEET NUMBER:
T0.00

REFERENCE SCALE IN INCHES
 0 1 2 3



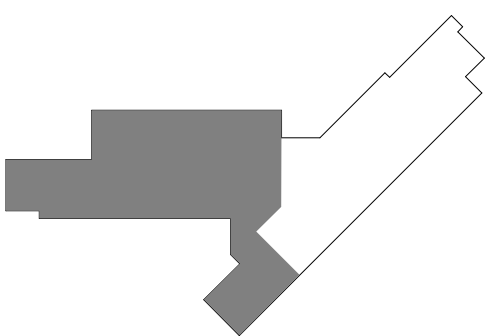
ARCHITECT OF RECORD
DEMONICA KEMPER ARCHITECTS
 125 N. HALSTED STREET, SUITE 301
 CHICAGO, IL 60661
 P: 312.496.0000

STRUCTURAL AND MEP/FP ENGINEERING
KJWW ENGINEERING CONSULTANTS
 1100 WARRENVILLE RD., SUITE 400W
 NAPERVILLE, IL 60563
 P: 630.527.2320

FOOD SERVICE CONSULTANT
CINI LITTLE INTERNATIONAL, INC.
 200 E. HOWARD AVE., SUITE 212
 DES PLAINES, IL 60018
 P: 847.298.0088

JOLIET JUNIOR COLLEGE
ROMEORVILLE CAMPUS EXPANSION
 1125 135th ST. ROMEORVILLE, IL 60446
 DKA PROJECT NO: 14-005

KEY PLAN:



SHEET STATUS: 9/21/15
ISSUED FOR CONSTRUCTION

NO.	DESCRIPTION:	DATE:

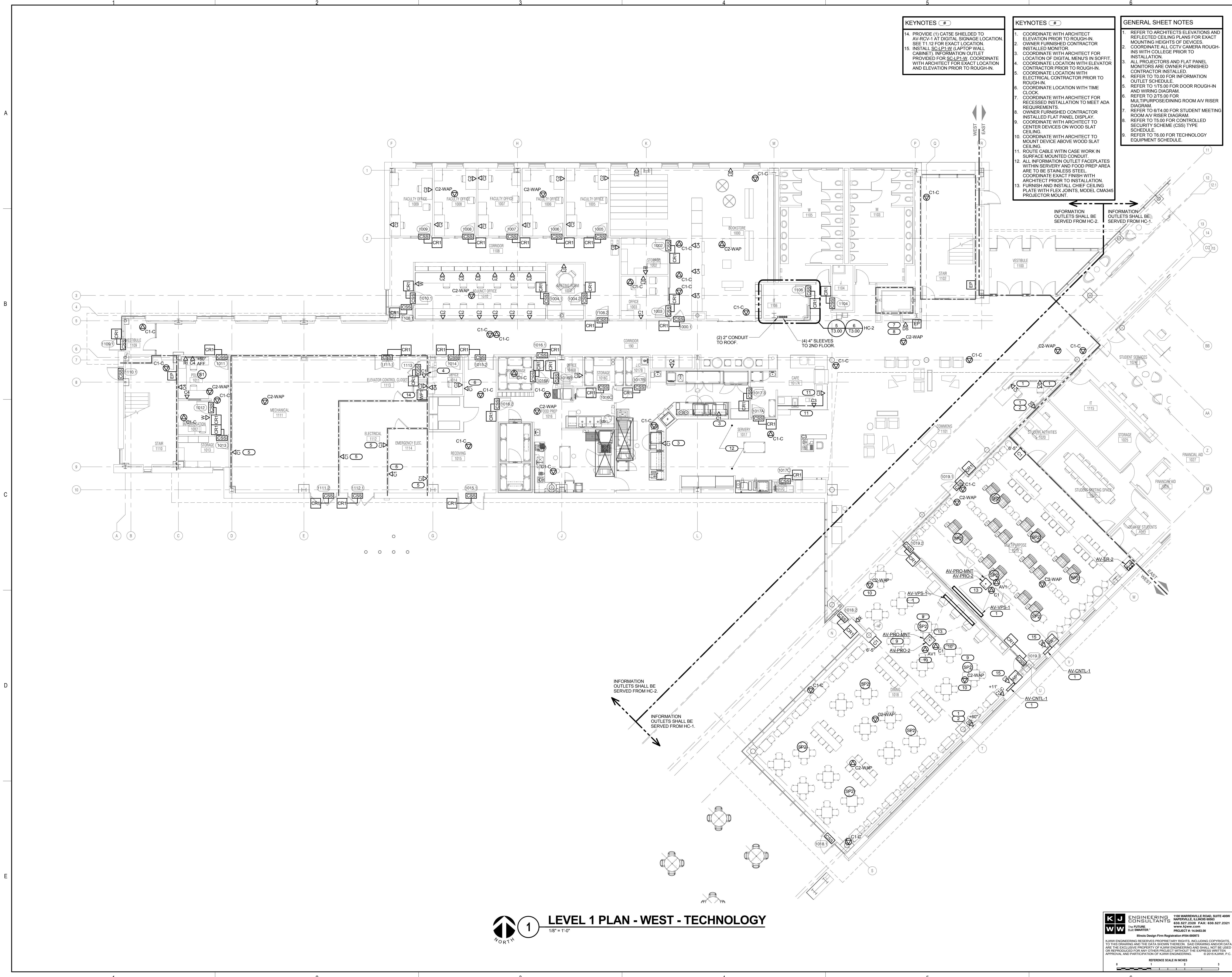
SHEET TITLE:
LEVEL 1 PLAN - WEST - TECHNOLOGY

SHEET NUMBER:
T1.11

- KEYNOTES - #**
14. PROVIDE (1) CATSE SHIELDED TO AV-RCV-1 AT DIGITAL SIGNAGE LOCATION. SEE T1.12 FOR EXACT LOCATION.
 15. INSTALL SC-PL-W (LAPTOP WALL CABINET), INFORMATION OUTLET PROVIDED FOR SC-PL-W. COORDINATE WITH ARCHITECT FOR EXACT LOCATION AND ELEVATION PRIOR TO ROUGH-IN.

- KEYNOTES - #**
1. COORDINATE WITH ARCHITECT REFLECTED CEILING PLANS FOR EXACT MOUNTING HEIGHTS OF DEVICES.
 2. COORDINATE ALL CCTV CAMERA ROUGH-INS WITH COLLEGE PRIOR TO INSTALLATION.
 3. ALL PROJECTORS AND FLAT PANEL MONITORS ARE OWNER FURNISHED CONTRACTOR INSTALLED.
 4. REFER TO T0.00 FOR INFORMATION OUTLET SCHEDULE.
 5. REFER TO T75.00 FOR DOOR ROUGH-IN AND WIRING DIAGRAM.
 6. REFER TO T75.00 FOR MULTIPURPOSE ROOM AV RISER DIAGRAM.
 7. REFER TO T874.00 FOR STUDENT MEETING ROOM AV RISER DIAGRAM.
 8. REFER TO T5.00 FOR CONTROLLED SECURITY SCHEME (CSS) TYPE SCHEDULE.
 9. REFER TO T6.00 FOR TECHNOLOGY EQUIPMENT SCHEDULE.

- GENERAL SHEET NOTES**
1. REFER TO ARCHITECT'S ELEVATIONS AND REFLECTED CEILING PLANS FOR EXACT MOUNTING HEIGHTS OF DEVICES.
 2. COORDINATE ALL CCTV CAMERA ROUGH-INS WITH COLLEGE PRIOR TO INSTALLATION.
 3. ALL PROJECTORS AND FLAT PANEL MONITORS ARE OWNER FURNISHED CONTRACTOR INSTALLED.
 4. REFER TO T0.00 FOR INFORMATION OUTLET SCHEDULE.
 5. REFER TO T75.00 FOR DOOR ROUGH-IN AND WIRING DIAGRAM.
 6. REFER TO T75.00 FOR MULTIPURPOSE ROOM AV RISER DIAGRAM.
 7. REFER TO T874.00 FOR STUDENT MEETING ROOM AV RISER DIAGRAM.
 8. REFER TO T5.00 FOR CONTROLLED SECURITY SCHEME (CSS) TYPE SCHEDULE.
 9. REFER TO T6.00 FOR TECHNOLOGY EQUIPMENT SCHEDULE.



INFORMATION OUTLETS SHALL BE SERVED FROM HC-2.

INFORMATION OUTLETS SHALL BE SERVED FROM HC-1.

LEVEL 1 PLAN - WEST - TECHNOLOGY
 1/8" = 1'-0"

KJWW ENGINEERING CONSULTANTS
 1100 WARRENVILLE ROAD, SUITE 400W
 NAPERVILLE, ILLINOIS 60563
 630.527.2320 FAX: 630.527.2321
 WWW.KJWW.COM

PROJECT # 14-005

Blank Design Firm Registration #18-08973

KJWW ENGINEERING RESERVES PROPRIETARY RIGHTS, INCLUDING COPYRIGHTS, TO THIS DRAWING AND THE DATA THEREON. THIS DRAWING AND/OR DATA ARE THE EXCLUSIVE PROPERTY OF KJWW ENGINEERING AND SHALL NOT BE USED OR REPRODUCED FOR ANY OTHER PROJECT WITHOUT THE EXPRESS WRITTEN APPROVAL AND PARTICIPATION OF KJWW ENGINEERING. © 2015 KJWW, P.C.

REFERENCE SCALE IN INCHES

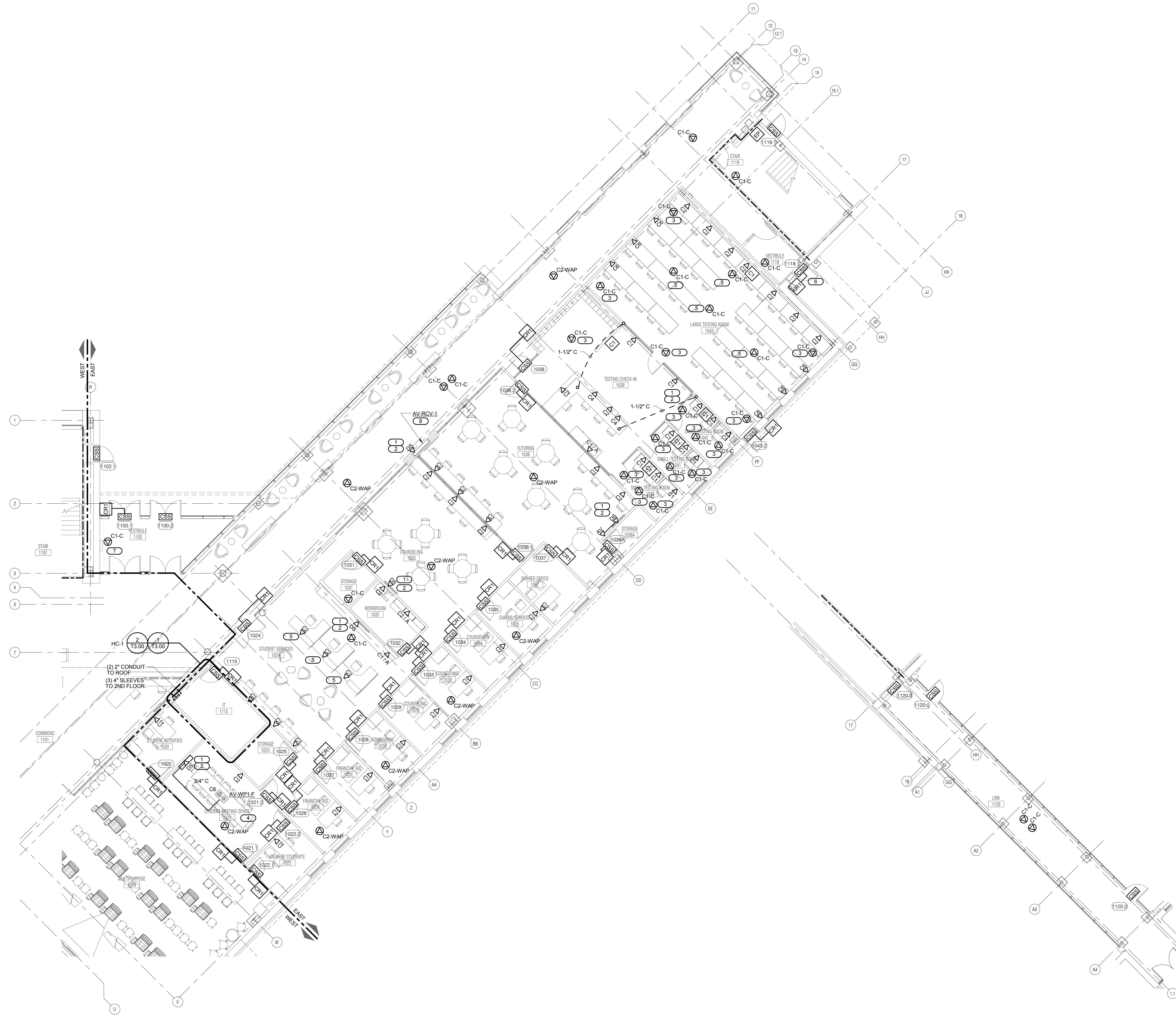


ARCHITECT OF RECORD
DEMONICA KEMPER ARCHITECTS
 125 N. HALSTED STREET, SUITE 301
 CHICAGO, IL 60661
 P: 312.496.0000

STRUCTURAL AND MEP/FP ENGINEERING
KJWW ENGINEERING CONSULTANTS
 1100 WARRENVILLE RD., SUITE 400W
 NAPERVILLE, IL 60563
 P: 630.527.2320

FOOD SERVICE CONSULTANT
CINI LITTLE INTERNATIONAL, INC.
 200 E. HOWARD AVE., SUITE 212
 DES PLAINES, IL 60018
 P: 847.298.0088

- GENERAL SHEET NOTES**
1. ALL INFORMATION OUTLETS ON THIS SHEET SHALL BE SERVED FROM HC-1 UNLESS OTHERWISE NOTED.
 2. ALL PROJECTORS AND FLAT PANEL MONITORS ARE OWNER FURNISHED CONTRACTOR INSTALLED.
 3. REFER TO 10.00 FOR INFORMATION OUTLET SCHEDULE.
 4. REFER TO 1175.00 FOR DOOR ROUGH-IN AND WIRING DIAGRAM.
 5. REFER TO 15.00 FOR CONTROLLED SECURITY SCHEME (CSS) TYPE SCHEDULE.
 6. REFER TO 18.00 FOR TECHNOLOGY EQUIPMENT SCHEDULE.
 7. REFER TO ARCHITECT'S ELEVATIONS AND REFLECTED CEILING PLANS FOR EXACT MOUNTING HEIGHTS OF DEVICES.
- KEYNOTES**
1. COORDINATE WITH ARCHITECT ELEVATION PRIOR TO ROUGH-IN.
 2. OWNER FURNISHED CONTRACTOR INSTALLED MONITOR.
 3. COORDINATE LOCATION OF INFORMATION OUTLET WITH JIC FOR SUPPORT OF FUTURE RECORDING SYSTEM.
 4. REFER TO 6174.00 FOR STUDENT MEETING ROOM AV RISER DIAGRAM FOR ADDITIONAL INFORMATION.
 5. PROVIDE 3/4" EMT CONDUIT FROM EACH LOCATION TO ACCESSIBLE CEILING SPACE.
 6. BASE BID ONLY.
 7. INFORMATION OUTLET SERVED FROM HC-2.
 8. PROVIDE (1) CAT5E CABLE FROM WP1 AT BAS LOCATION IN MECHANICAL ROOM 1111. SEE SHEET T1.11 FOR EXACT LOCATION.



1 LEVEL 1 PLAN - EAST - TECHNOLOGY
 1/8" = 1'-0"

2 LEVEL 1 PLAN - ALT. BID 1 TECHNOLOGY
 1/8" = 1'-0"

NOTE:
 1. ALTERNATE BID 1 IS NOT IN CONTRACT.

KJWW ENGINEERING CONSULTANTS
 1100 WARRENVILLE ROAD, SUITE 400W
 NAPERVILLE, ILLINOIS 60563
 630.527.2320 FAX: 630.527.2321
 WWW.KJWW.COM

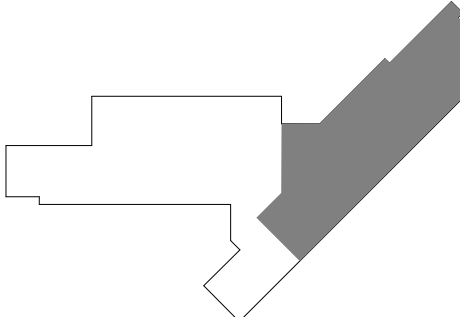
DESIGNER
 PROJECT # 14.0403.00
 DESIGN FIRM REGISTRATION #14-08973

KJWW ENGINEERING RESERVES PROPRIETARY RIGHTS, INCLUDING COPYRIGHTS, TO THIS DRAWING AND THE DATA SHOWN THEREON. SUCH DRAWING AND/OR DATA ARE THE EXCLUSIVE PROPERTY OF KJWW ENGINEERING AND SHALL NOT BE USED OR REPRODUCED FOR ANY OTHER PROJECT WITHOUT THE EXPRESS WRITTEN APPROVAL AND PARTICIPATION OF KJWW ENGINEERING. © 2015 KJWW, P.C.

REFERENCE SCALE IN INCHES
 0 1 2 3

JOLIET JUNIOR COLLEGE
ROMEOWILLE CAMPUS EXPANSION
 1125 135th ST. ROMEOWILLE, IL 60446
 DKA PROJECT NO: 14-005

KEY PLAN:



SHEET STATUS: 9/21/15
ISSUED FOR CONSTRUCTION

NO.	DESCRIPTION:	DATE:

SHEET TITLE:
LEVEL 1 PLAN - EAST - TECHNOLOGY

SHEET NUMBER:

T1.12

- KEYNOTES**
- COORDINATE WITH ARCHITECT ELEVATION PRIOR TO ROUGH-IN.
 - OWNER FURNISHED CONTRACTOR INSTALLED MONITOR.
 - SPACE RESERVED FOR OWNER PROVIDED SECURITY EQUIPMENT. PROVIDE SC-TBB ON WALLS.

- GENERAL SHEET NOTES**
- ALL INFORMATION OUTLETS ON THIS SHEET SHALL BE SERVED FROM HC-2 UNLESS OTHERWISE NOTED. REFER TO T1.1 FOR LOCATION OF HC-2.
 - ALL PROJECTORS AND FLAT PANEL MONITORS ARE OWNER FURNISHED CONTRACTOR INSTALLED.
 - REFER TO T0.00 FOR INFORMATION OUTLET SCHEDULE.
 - REFER TO T175.00 FOR DOOR ROUGH-IN AND WIRING DIAGRAM.
 - REFER TO T174.00 FOR STUDENT MEETING ROOM AV RISER DIAGRAM.
 - REFER TO T5.00 FOR CONTROLLED SECURITY SCHEME (CSS) TYPE SCHEDULE.
 - REFER TO T6.00 FOR TECHNOLOGY EQUIPMENT SCHEDULE.
 - REFER TO ARCHITECT'S ELEVATIONS AND REFLECTED CEILING PLANS FOR EXACT MOUNTING HEIGHTS OF DEVICES.



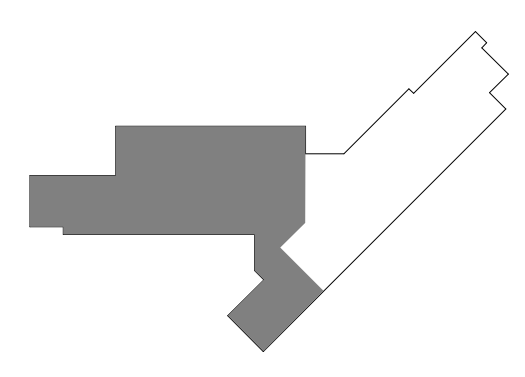
ARCHITECT OF RECORD
DEMONICA KEMPER ARCHITECTS
 125 N. HALSTED STREET, SUITE 301
 CHICAGO, IL 60661
 P: 312.496.0000

STRUCTURAL AND MEP/FP ENGINEERING
KJWW ENGINEERING CONSULTANTS
 1100 WARRENVILLE RD., SUITE 400W
 NAPERVILLE, IL 60563
 P: 630.527.2320

FOOD SERVICE CONSULTANT
CINI LITTLE INTERNATIONAL, INC.
 200 E. HOWARD AVE., SUITE 212
 DES PLAINES, IL 60018
 P: 847.298.0088

JOLIET JUNIOR COLLEGE
ROMEORVILLE CAMPUS EXPANSION
 1125 135th ST. ROMEORVILLE, IL 60446
 DKA PROJECT NO: 14-005

KEY PLAN:



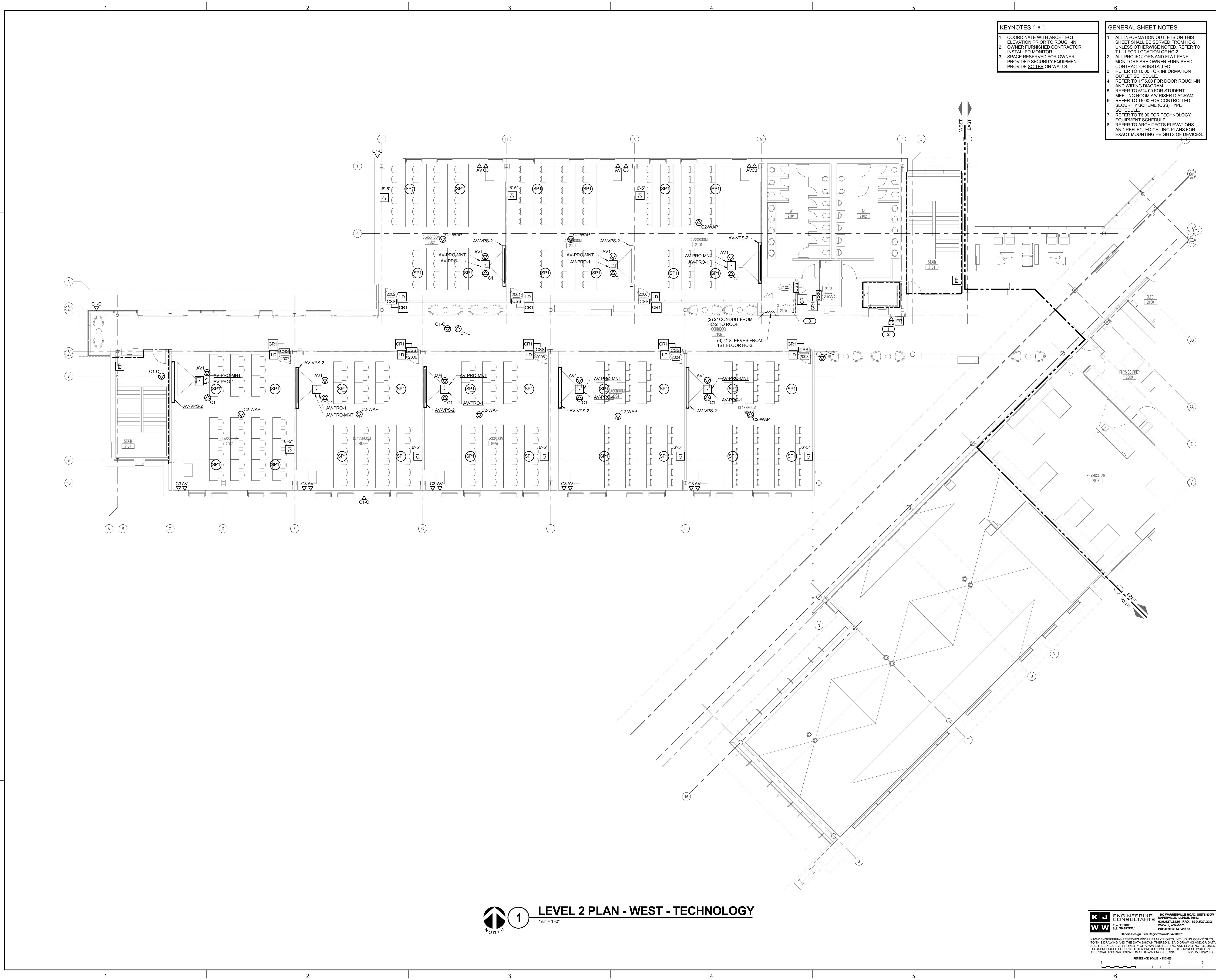
SHEET STATUS: 9/21/15
ISSUED FOR CONSTRUCTION

NO.	DESCRIPTION:	DATE:

SHEET TITLE:
LEVEL 2 PLAN - WEST - TECHNOLOGY

SHEET NUMBER:

T1.21



LEVEL 2 PLAN - WEST - TECHNOLOGY
 1/8" = 1'-0"

KJWW ENGINEERING CONSULTANTS
 1100 WARRENVILLE ROAD, SUITE 400W
 NAPERVILLE, ILLINOIS 60563
 630.527.2320 FAX: 630.627.2321
 WWW.KJWW.COM
 PROJECT # 14.043.00

WORTH DESIGN
 1100 WARRENVILLE ROAD, SUITE 400W
 NAPERVILLE, ILLINOIS 60563
 630.527.2320 FAX: 630.627.2321
 WWW.WORTHDESIGN.COM
 PROJECT # 14.043.00

KJWW ENGINEERING RESERVES PROPRIETARY RIGHTS, INCLUDING COPYRIGHTS, TO THIS DRAWING AND THE DATA SHOWN THEREON. SAID DRAWING AND/OR DATA ARE THE EXCLUSIVE PROPERTY OF KJWW ENGINEERING AND SHALL NOT BE USED OR REPRODUCED FOR ANY OTHER PROJECT WITHOUT THE EXPRESS WRITTEN APPROVAL AND PARTICIPATION OF KJWW ENGINEERING. © 2015 KJWW, P.C.

REFERENCE SCALE IN INCHES
 0 1 2 3



ARCHITECT OF RECORD
DEMONICA KEMPER ARCHITECTS
 125 N. HALSTED STREET, SUITE 301
 CHICAGO, IL 60661
 P: 312.496.0000

STRUCTURAL AND MEP/FP ENGINEERING
KJWW ENGINEERING CONSULTANTS
 1100 WARRENVILLE RD., SUITE 400W
 NAPERVILLE, IL 60563
 P: 630.527.2320

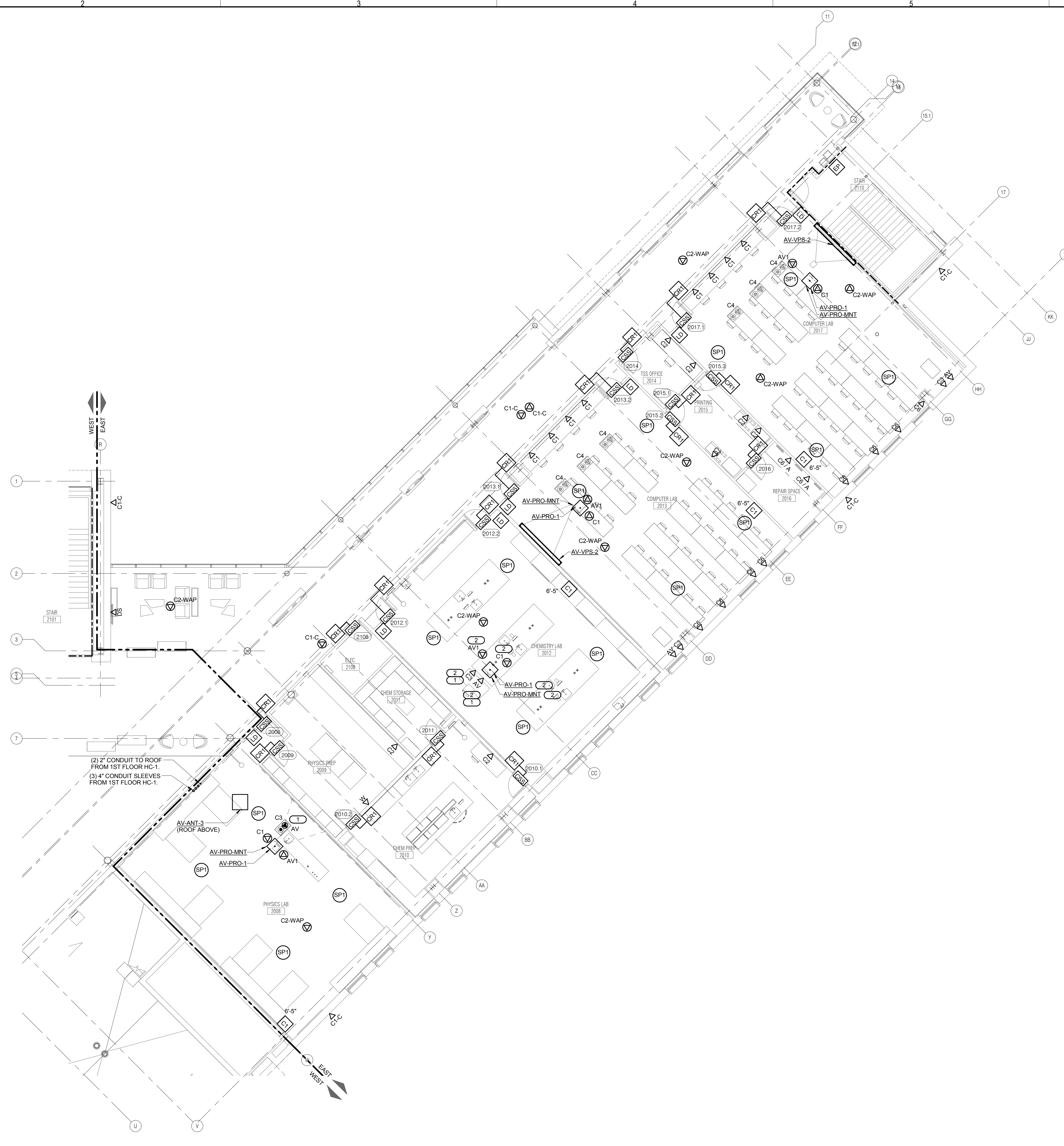
FOOD SERVICE CONSULTANT
CINI LITTLE INTERNATIONAL, INC.
 200 E. HOWARD AVE., SUITE 212
 DES PLAINES, IL 60018
 P: 847.298.0088

GENERAL SHEET NOTES

1. ALL INFORMATION OUTLETS ON THIS SHEET SHALL BE SERVED FROM HC-1 UNLESS OTHERWISE NOTED. REFER TO T1.12 FOR LOCATION OF HC-1.
2. ALL PROJECTORS AND FLAT PANEL MONITORS ARE OWNER FURNISHED CONTRACTOR INSTALLED.
3. REFER TO T0.00 FOR INFORMATION OUTLET SCHEDULE.
4. REFER TO T175.00 FOR DOOR ROUGH-IN AND WIRING DIAGRAM.
5. REFER TO 674.00 FOR STUDENT MEETING ROOM AV RISER DIAGRAM.
6. REFER TO T5.00 FOR CONTROLLED SECURITY SCHEME (CSS) TYPE SCHEDULE.
7. REFER TO T6.00 FOR TECHNOLOGY EQUIPMENT SCHEDULE.
8. REFER TO ARCHITECT'S ELEVATIONS AND REFLECTED CEILING PLANS FOR EXACT MOUNTING HEIGHTS OF DEVICES.

KEYNOTES

1. INFORMATION OUTLET AND AV OUTLET INSTALLED IN CASEWORK. COORDINATE WITH ARCHITECT AND MILLWORK CONTRACTOR.
2. PROVIDE (2) 3/4" EMT CONDUITS TO ACCESSIBLE CEILING SPACE FOR AV AND STRUCTURED CABLING. PROVIDE A 4" SQUARE BOX WITH SINGLE GANG RING FOR EACH OUTLET.



(2) 2" CONDUIT TO ROOF FROM 1ST FLOOR HC-1
 (3) 4" CONDUIT SLEEVES FROM 1ST FLOOR HC-1

1 LEVEL 2 PLAN - EAST - TECHNOLOGY
 1/8" = 1'-0"

KJWW ENGINEERING CONSULTANTS
 1100 WARRENVILLE ROAD, SUITE 400W
 NAPERVILLE, ILLINOIS 60563
 630.527.2320 FAX: 630.627.2321
 WWW.KJWW.COM

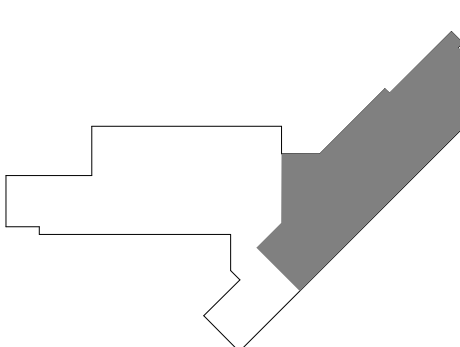
THE FUTURE IS SMARTER!
 Illinois Design Firm Registration #18-08973
 PROJECT # 14-0463-00

KJWW ENGINEERING RESERVES PROPRIETARY RIGHTS, INCLUDING COPYRIGHTS, TO THIS DRAWING AND THE DATA SHOWN THEREON. SUCH DRAWING AND/OR DATA ARE THE EXCLUSIVE PROPERTY OF KJWW ENGINEERING AND SHALL NOT BE USED OR REPRODUCED FOR ANY OTHER PROJECT WITHOUT THE EXPRESS WRITTEN APPROVAL AND PARTICIPATION OF KJWW ENGINEERING. © 2015 KJWW, P.C.

REFERENCE SCALE IN INCHES
 0 1 2 3

JOLIET JUNIOR COLLEGE
ROMEORVILLE CAMPUS EXPANSION
 1125 135th ST. ROMEORVILLE, IL 60446
 DKA PROJECT NO: 14-005

KEY PLAN:



SHEET STATUS: 9/21/15
ISSUED FOR CONSTRUCTION

NO.	DESCRIPTION:	DATE:

SHEET TITLE:
LEVEL 2 PLAN - EAST - TECHNOLOGY

SHEET NUMBER:

T1.22



ARCHITECT OF RECORD
DEMONICA KEMPER ARCHITECTS
 125 N. HALSTED STREET, SUITE 301
 CHICAGO, IL 60661
 P: 312.496.0000

STRUCTURAL AND MEP/FP ENGINEERING
KJWW ENGINEERING CONSULTANTS
 1100 WARRENVILLE RD., SUITE 400W
 NAPERVILLE, IL 60563
 P: 630.527.2320

FOOD SERVICE CONSULTANT
CINI LITTLE INTERNATIONAL, INC.
 200 E. HOWARD AVE., SUITE 212
 DES PLAINES, IL 60018
 P: 847.298.0088

JOLIET JUNIOR COLLEGE
ROMEORVILLE CAMPUS EXPANSION
 1125 135th ST. ROMEORVILLE, IL 60446
 DKA PROJECT NO: 14-005

KEY PLAN:

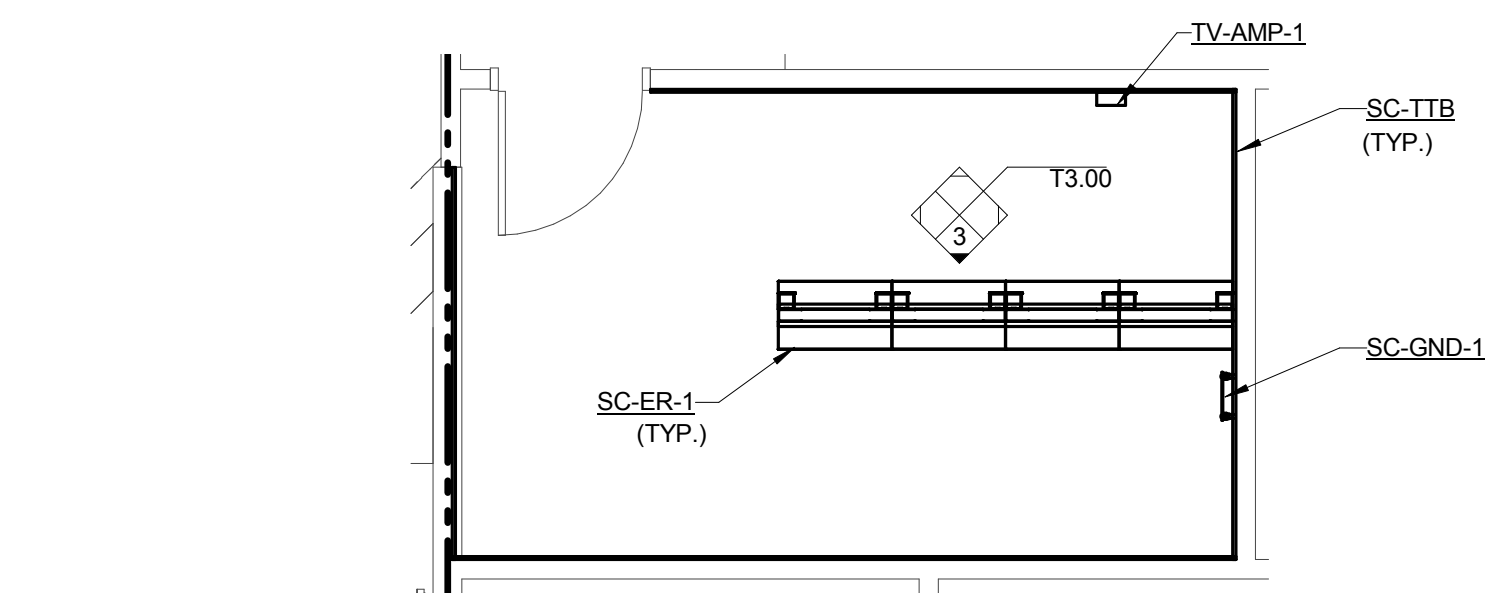
SHEET STATUS: 9/21/15
ISSUED FOR CONSTRUCTION

NO.	DESCRIPTION:	DATE:

SHEET TITLE:
ENLARGED PLANS - TECHNOLOGY

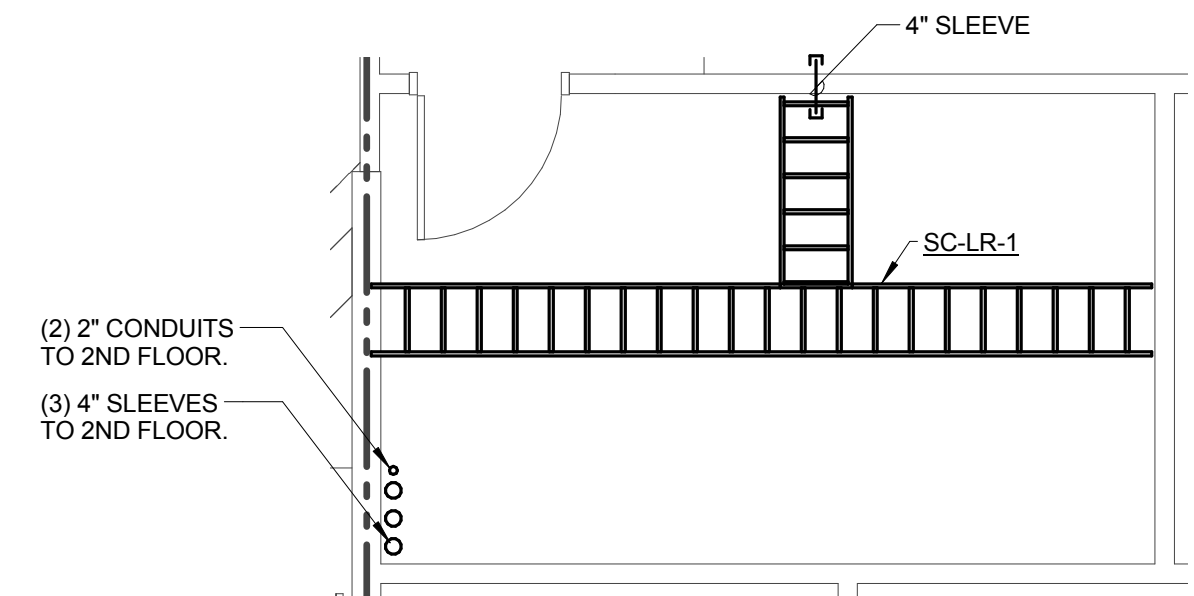
SHEET NUMBER:

T3.00



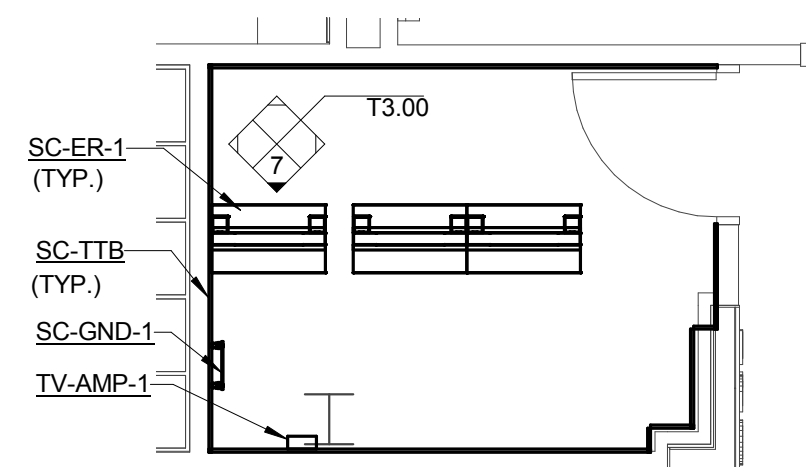
1 EQUIPMENT ROOM LAYOUT HC-1

- 1/4" = 1'-0"
 NOTES:
 1. REFER TO 2/T3.00 FOR EQUIPMENT ROOM PATHWAY HC-1.
 2. REFER TO 4/T3.00 FOR CONNECTIVITY RISER DIAGRAM HC-1.
 3. REFER TO T6.00 FOR TECHNOLOGY EQUIPMENT SCHEDULE.



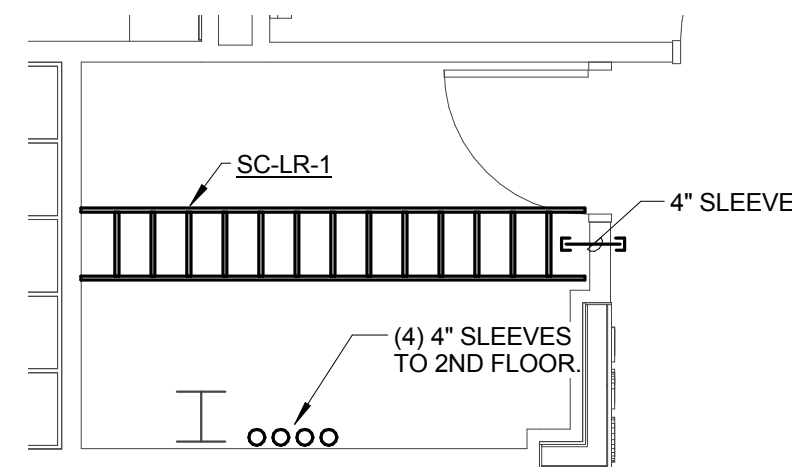
2 EQUIPMENT ROOM PATHWAY HC-1

- 1/4" = 1'-0"
 NOTES:
 1. REFER TO 1/T3.00 FOR EQUIPMENT ROOM LAYOUT HC-1.
 2. REFER TO T6.00 FOR TECHNOLOGY EQUIPMENT SCHEDULE.
 3. INSTALL LADDER RACK AT 7'-6" AFF.



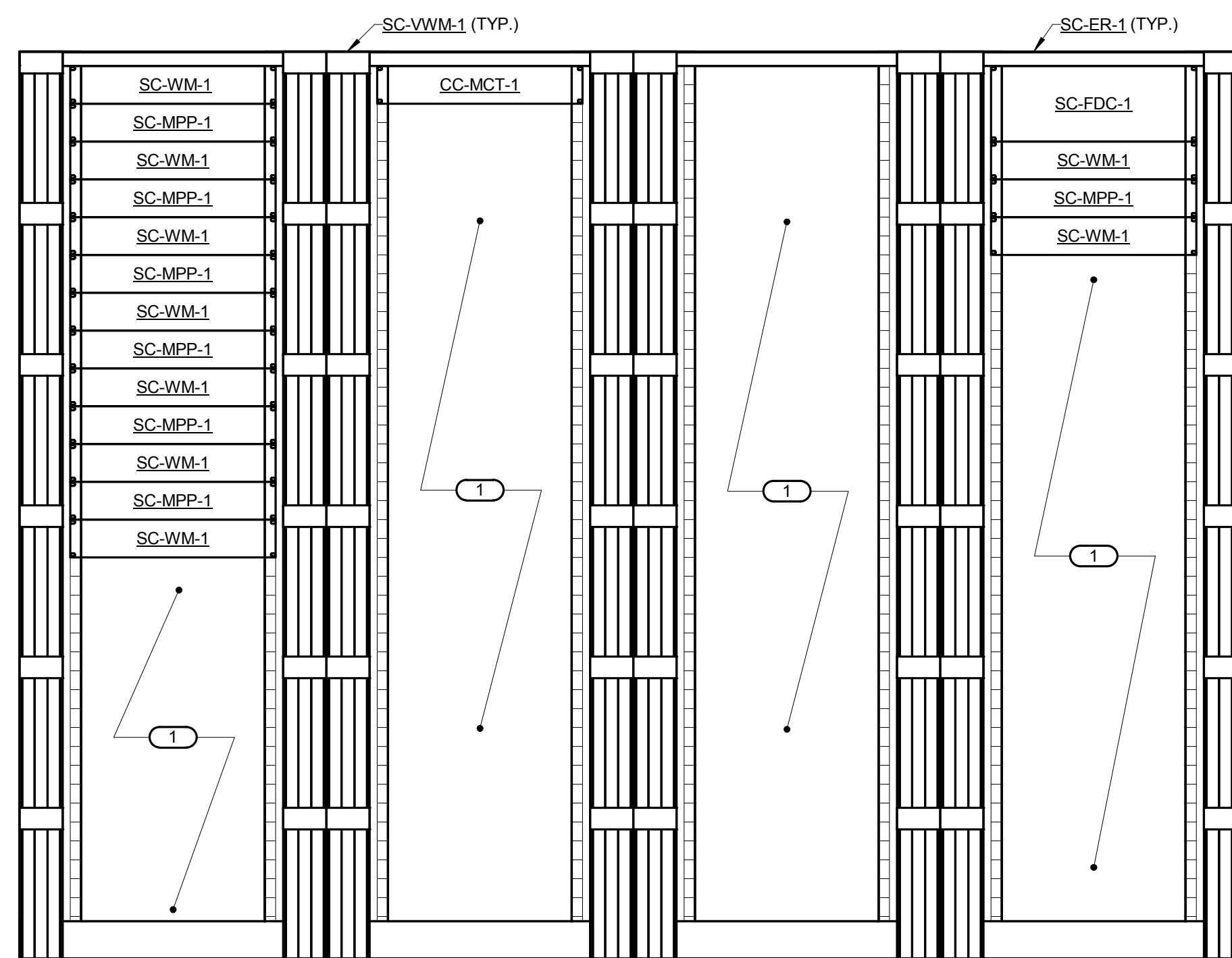
5 EQUIPMENT ROOM LAYOUT HC-2

- 1/4" = 1'-0"
 NOTES:
 1. REFER TO 6/T3.00 FOR EQUIPMENT ROOM PATHWAY HC-2.
 2. REFER TO 8/T3.00 FOR CONNECTIVITY RISER DIAGRAM HC-2.
 3. REFER TO T6.00 FOR TECHNOLOGY EQUIPMENT SCHEDULE.



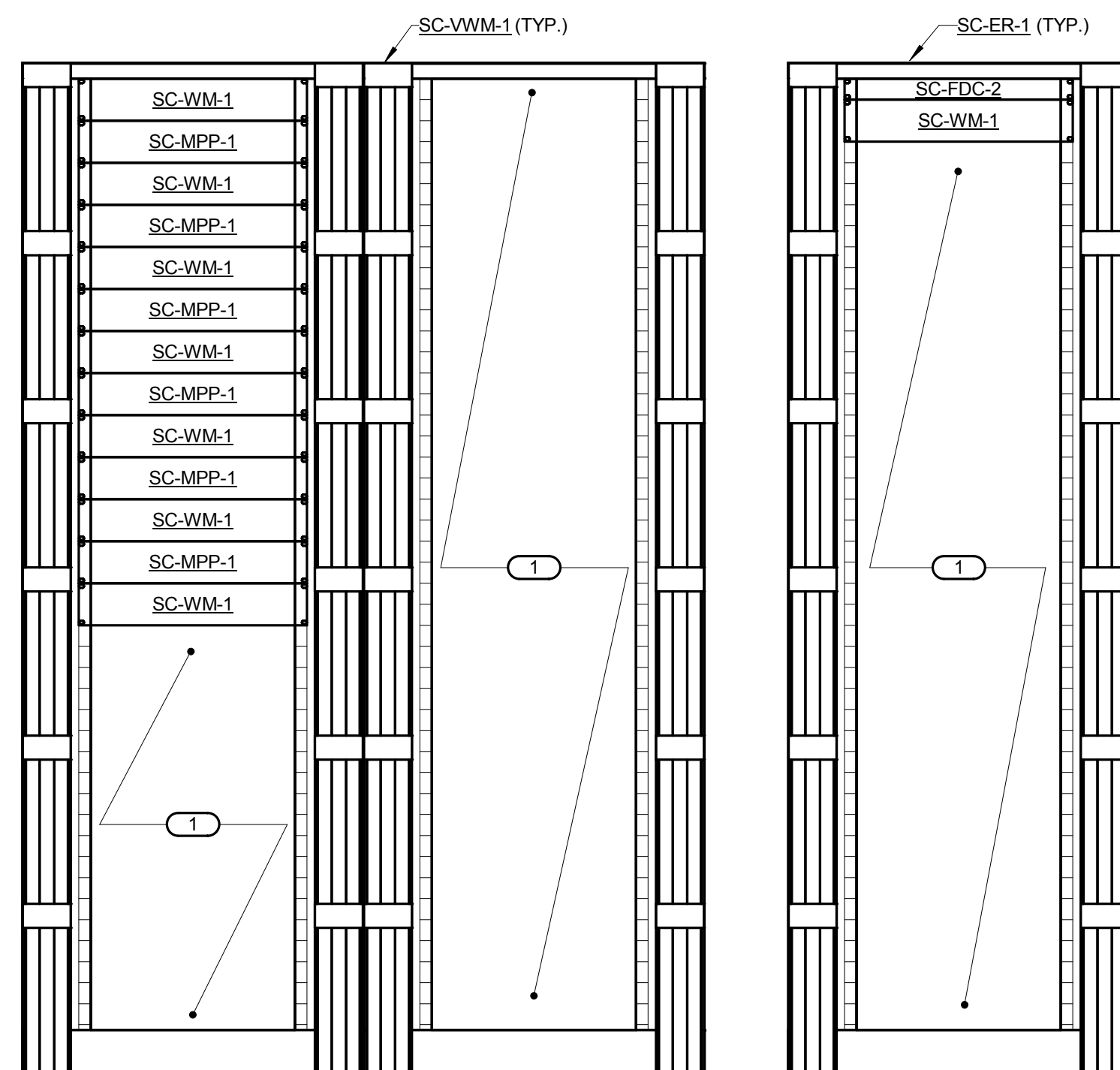
6 EQUIPMENT ROOM PATHWAY HC-2

- 1/4" = 1'-0"
 NOTES:
 1. REFER TO 5/T3.00 FOR EQUIPMENT ROOM LAYOUT HC-2.
 2. REFER TO T6.00 FOR TECHNOLOGY EQUIPMENT SCHEDULE.
 3. INSTALL LADDER RACK AT 7'-6" AFF.



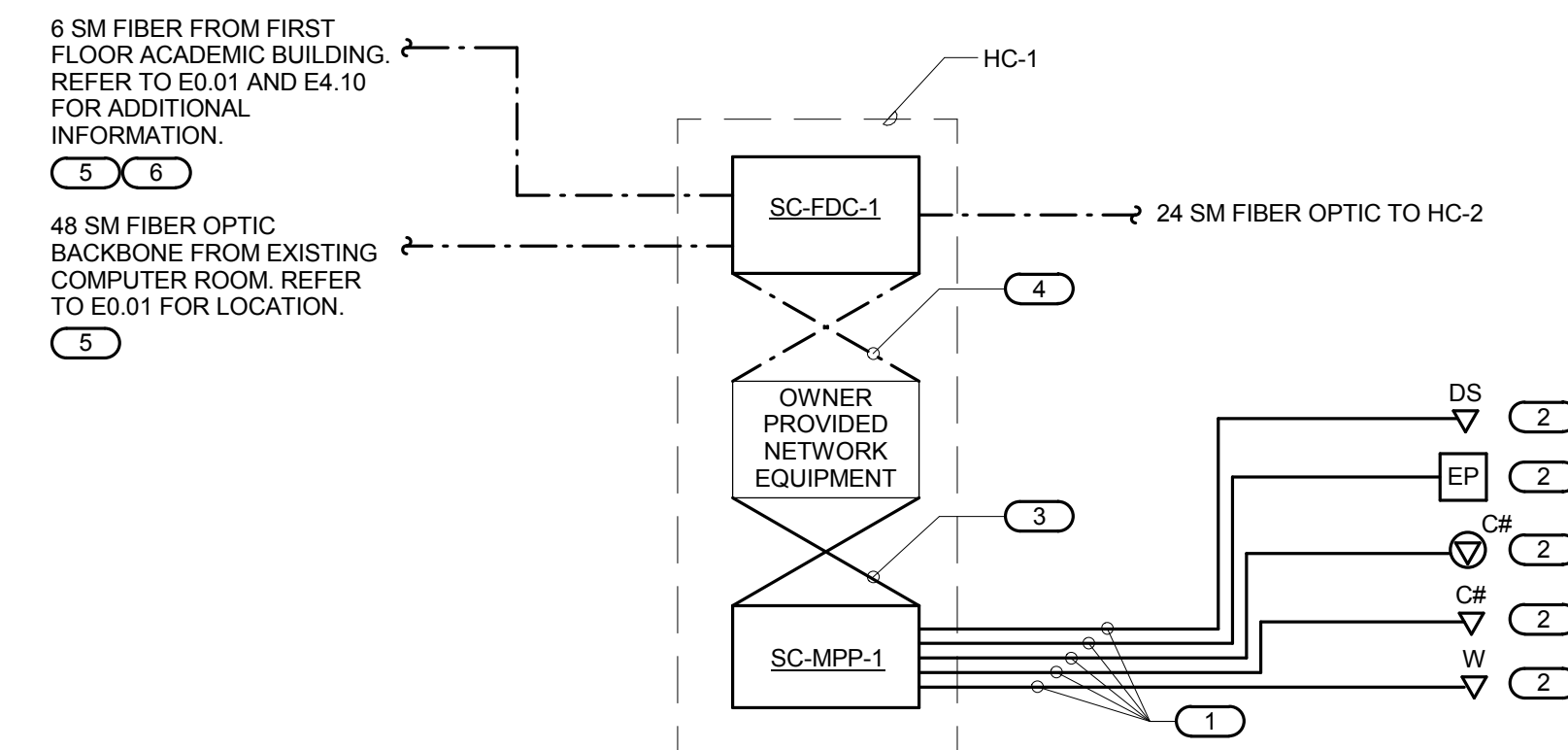
3 EQUIPMENT RACK ELEVATION HC-1

- 1" = 1'-0"
 NOTES:
 1. REFER TO 1/T3.00 FOR EQUIPMENT ROOM LAYOUT HC-1.
 2. REFER TO 4/T3.00 FOR CONNECTIVITY RISER DIAGRAM HC-1.
 3. REFER TO T6.00 FOR TECHNOLOGY EQUIPMENT SCHEDULE.
 KEYNOTES: (#)
 1. SPACE PROVIDED FOR OWNER SUPPLIED EQUIPMENTS.



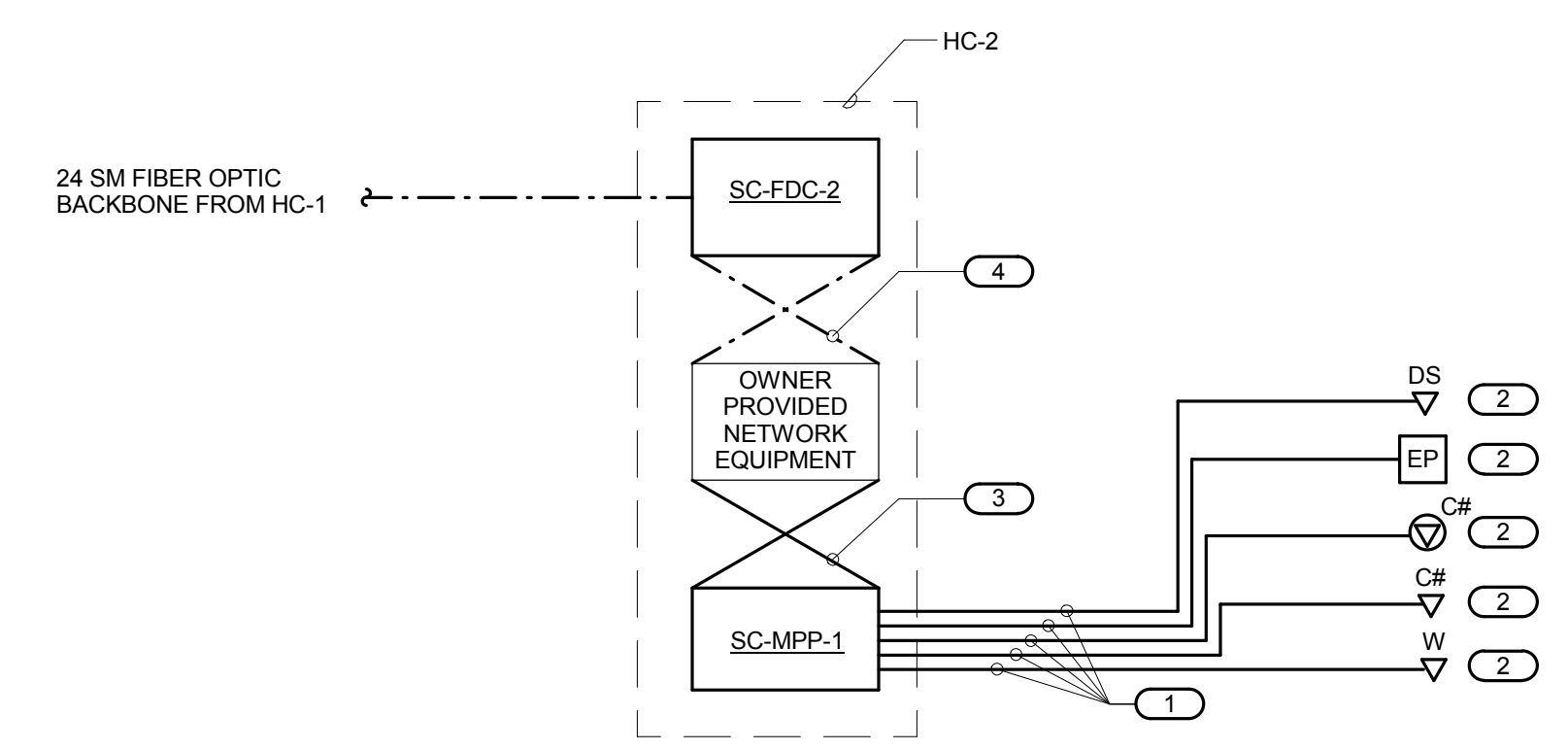
7 EQUIPMENT RACK ELEVATION HC-2

- 1" = 1'-0"
 NOTES:
 1. REFER TO 5/T3.00 FOR EQUIPMENT ROOM LAYOUT HC-2.
 2. REFER TO 8/T3.00 FOR CONNECTIVITY RISER DIAGRAM HC-2.
 3. REFER TO T6.00 FOR TECHNOLOGY EQUIPMENT SCHEDULE.
 KEYNOTES: (#)
 1. SPACE PROVIDED FOR OWNER SUPPLIED EQUIPMENTS.



4 CONNECTIVITY RISER DIAGRAM HC-1

- NO SCALE
 NOTES:
 1. THIS RISER IS DIAGRAMMATIC AND MAY NOT SHOW ACTUAL ROUTING OR QUANTITIES OF MATERIALS SHOWN. THIS RISER IS SHOWN FOR CLARIFICATION OF CONNECTION LOCATIONS AND CABLE TYPE. ALL INFORMATION OUTLETS ARE TYPICAL OF THE OUTLETS IN THE AREA SHOWN. REFER TO FLOOR PLANS FOR MORE SPECIFIC ROUTING AND QUANTITY INFORMATION. REFER TO SPECIFICATIONS FOR ADDITIONAL INFORMATION.
 2. REFER TO T6.00 FOR TECHNOLOGY EQUIPMENT SCHEDULE.
 KEYNOTES: (#)
 1. 23 GAUGE, 4-PAIR, CATEGORY 6, UNSHIELDED TWISTED PAIR CABLE. REFER TO SPECIFICATIONS.
 2. REFER TO INFORMATION OUTLET SCHEDULE ON T0.00 AND THE FLOOR PLANS FOR QUANTITY OF CABLES AND JACKS TO BE INSTALLED AT EACH INFORMATION OUTLET.
 3. RJ45 TO RJ45 CATEGORY CAT 6 UTP PATCH CORD. REFER TO SPECIFICATIONS.
 4. FIBER PATCH CORD. REFER TO SPECIFICATIONS.
 5. REFER TO E0.01 ELECTRICAL SITE PLAN FOR CABLE ROUTE.
 6. COORDINATE TERMINATION OF FIBER WITH FIRE ALARM CONTRACTOR. REFER TO E4.10 FOR LOCATION OF FIRE ALARM PANEL. SEE DRAWING E4.10 DETAIL 2 FOR LOCATION OF EXISTING FIRE ALARM PANEL IN THE EXISTING ACADEMIC BUILDING.



8 CONNECTIVITY RISER DIAGRAM HC-2

- NO SCALE
 NOTES:
 1. THIS RISER IS DIAGRAMMATIC AND MAY NOT SHOW ACTUAL ROUTING OR QUANTITIES OF MATERIALS SHOWN. THIS RISER IS SHOWN FOR CLARIFICATION OF CONNECTION LOCATIONS AND CABLE TYPE. ALL INFORMATION OUTLETS ARE TYPICAL OF THE OUTLETS IN THE AREA SHOWN. REFER TO FLOOR PLANS FOR MORE SPECIFIC ROUTING AND QUANTITY INFORMATION. REFER TO SPECIFICATIONS FOR ADDITIONAL INFORMATION.
 2. REFER TO T6.00 FOR TECHNOLOGY EQUIPMENT SCHEDULE.
 KEYNOTES: (#)
 1. 23 GAUGE, 4-PAIR, CATEGORY 6, UNSHIELDED TWISTED PAIR CABLE. REFER TO SPECIFICATIONS.
 2. REFER TO INFORMATION OUTLET SCHEDULE ON T0.00 AND THE FLOOR PLANS FOR QUANTITY OF CABLES AND JACKS TO BE INSTALLED AT EACH INFORMATION OUTLET.
 3. RJ45 TO RJ45 CATEGORY CAT 6 UTP PATCH CORD. REFER TO SPECIFICATIONS.
 4. FIBER PATCH CORD. REFER TO SPECIFICATIONS.

KJWW ENGINEERING CONSULTANTS
 1100 WARRENVILLE ROAD, SUITE 400W
 NAPERVILLE, ILLINOIS 60563
 630.527.2320 FAX: 630.527.2321
 WWW.KJWW.COM
 THE FUTURE IS SMARTER!
 Project # 14.043.00
 Block Design Firm Registration #14-08873
 KJWW ENGINEERING RESERVES PROPRIETARY RIGHTS, INCLUDING COPYRIGHTS, TO THIS DRAWING AND THE DATA SHOWN THEREON. SAID DRAWING AND/OR DATA ARE THE EXCLUSIVE PROPERTY OF KJWW ENGINEERING AND SHALL NOT BE USED OR REPRODUCED FOR ANY OTHER PROJECT WITHOUT THE EXPRESS WRITTEN APPROVAL AND PARTICIPATION OF KJWW ENGINEERING. © 2015 KJWW, P.C.
 REFERENCE SCALE IN INCHES
 0 1 2 3

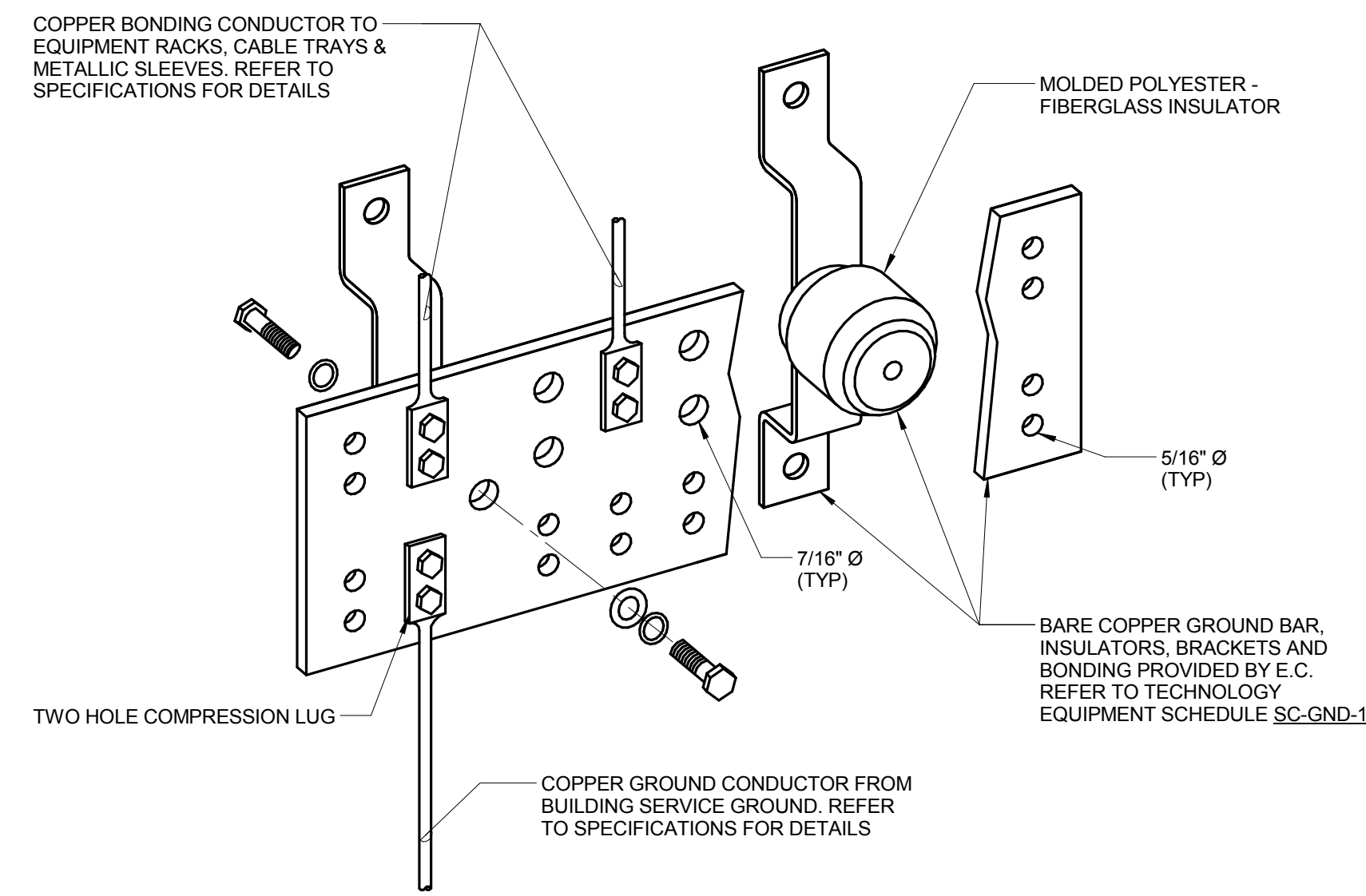


ARCHITECT OF RECORD
DEMONICA KEMPER ARCHITECTS
 125 N. HALSTED STREET, SUITE 301
 CHICAGO, IL 60661
 P: 312.496.0000

STRUCTURAL AND MEP/FP ENGINEERING
KJWW ENGINEERING CONSULTANTS
 1100 WARRENVILLE RD., SUITE 400W
 NAPERVILLE, IL 60563
 P: 630.527.2320

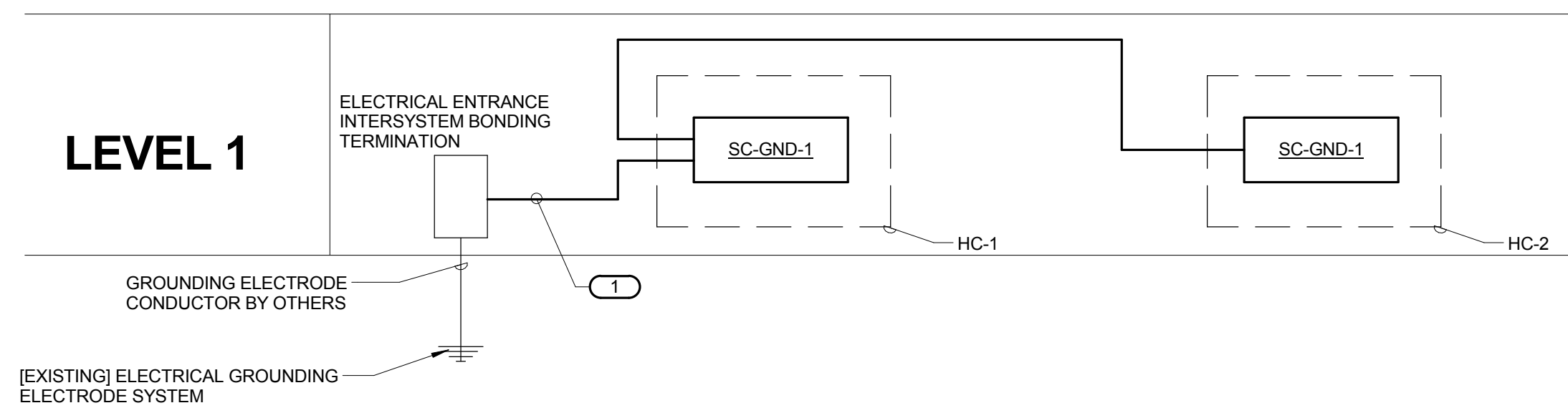
FOOD SERVICE CONSULTANT
CINI LITTLE INTERNATIONAL, INC.
 200 E. HOWARD AVE., SUITE 212
 DES PLAINES, IL 60018
 P: 847.298.0088

JOLIET JUNIOR COLLEGE
ROMEORVILLE CAMPUS EXPANSION
 1125 135th ST. ROMEORVILLE, IL 60446
 DKA PROJECT NO: 14-005



1 BONDING BUS BAR DETAIL

- NO SCALE
 NOTES:
 1. REFER TO TECHNOLOGY EQUIPMENT SCHEDULE SC-GND-1 FOR WIDTH REQUIREMENTS.
 2. REFER TO 314.00 FOR TYPICAL TELECOM ROOM BONDING FLOW DIAGRAM.

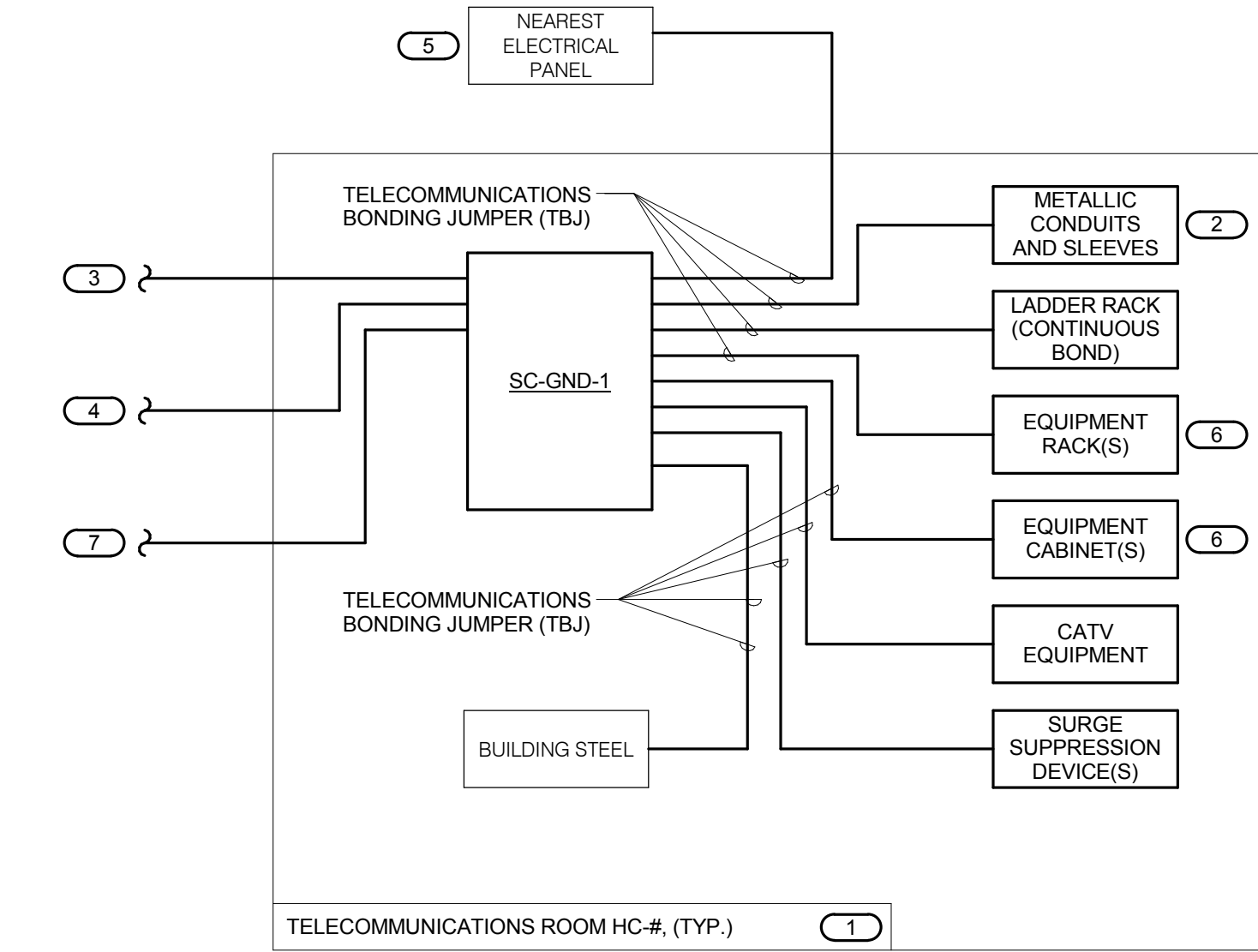


2 TECHNOLOGY BONDING RISER DIAGRAM

- NO SCALE
 NOTES:
 1. THIS RISER IS DIAGRAMMATIC AND MAY NOT SHOW ACTUAL ROUTING OR QUANTITIES OF MATERIALS. THIS RISER IS SHOWN FOR CLARIFICATION OF CONNECTION LOCATIONS AND CONDUCTOR TYPE. ALL CONNECTIONS AND SYSTEM DEVICES SHOWN ARE TYPICAL AND NOT REPRESENTATIVE OF ACTUAL PROJECT QUANTITIES. REFER TO FLOOR PLANS AND ENLARGED FLOOR PLANS FOR ACTUAL QUANTITIES AND LOCATIONS OF DEVICES AND MORE SPECIFIC ROUTING INFORMATION. REFER TO SPECIFICATIONS FOR ADDITIONAL REQUIREMENTS.
 2. ALL CONDUCTORS IN THE TECHNOLOGY BONDING SYSTEM SHALL BE MINIMUM SIZE OF 30 AWG (PLENUM RATED) COPPER (GREEN OR MARKED WITH A DISTINCTIVE GREEN COLOR) UNLESS CONDUCTOR LENGTH IS LESS THAN 66 FEET. REFER TO BONDING CONDUCTOR SIZING SCHEDULE FOR SIZING CRITERIA FOR CONDUCTORS LESS THAN 66 FEET IN LENGTH. REFER TO SPECIFICATIONS FOR ADDITIONAL REQUIREMENTS.
 3. ALL BONDING CONDUCTORS AND BONDING JUMPERS SHALL BE CONNECTED BY COMPRESSION LUGS, EXOTHERMIC WELDING, OR IRREVERSIBLE COMPRESSION CONNECTORS. SOLDER IS NOT AN ACCEPTABLE MEANS OF CONNECTION. SHEET METAL SCREWS SHALL NOT BE USED TO CONNECT COMMUNICATIONS BONDING CONDUCTORS TO EQUIPMENT. WHERE NECESSARY, REMOVE PAINT AND/OR USE PAINT-PIERCING WASHERS TO PROVIDE PROPER ELECTRICAL BOND AT ALL CONNECTIONS.
 4. REFER TO 314.00 FOR TYPICAL TELECOM ROOM BONDING FLOW DIAGRAM.
 5. REFER TO TELECOM ROOM REFERENCES SCHEDULE ON DRAWING T0.00 FOR TELECOMMUNICATIONS ROOM NUMBER AND LOCATION INFORMATION.

CONDUCTOR LENGTH IN FEET	MINIMUM ACCEPTABLE SIZE - AWG
LESS THAN 13'	6
14' - 20'	4
21' - 26'	3
27' - 33'	2
34' - 41'	1
42' - 52'	1/0
53' - 66'	2/0
GREATER THAN 66'	3/0

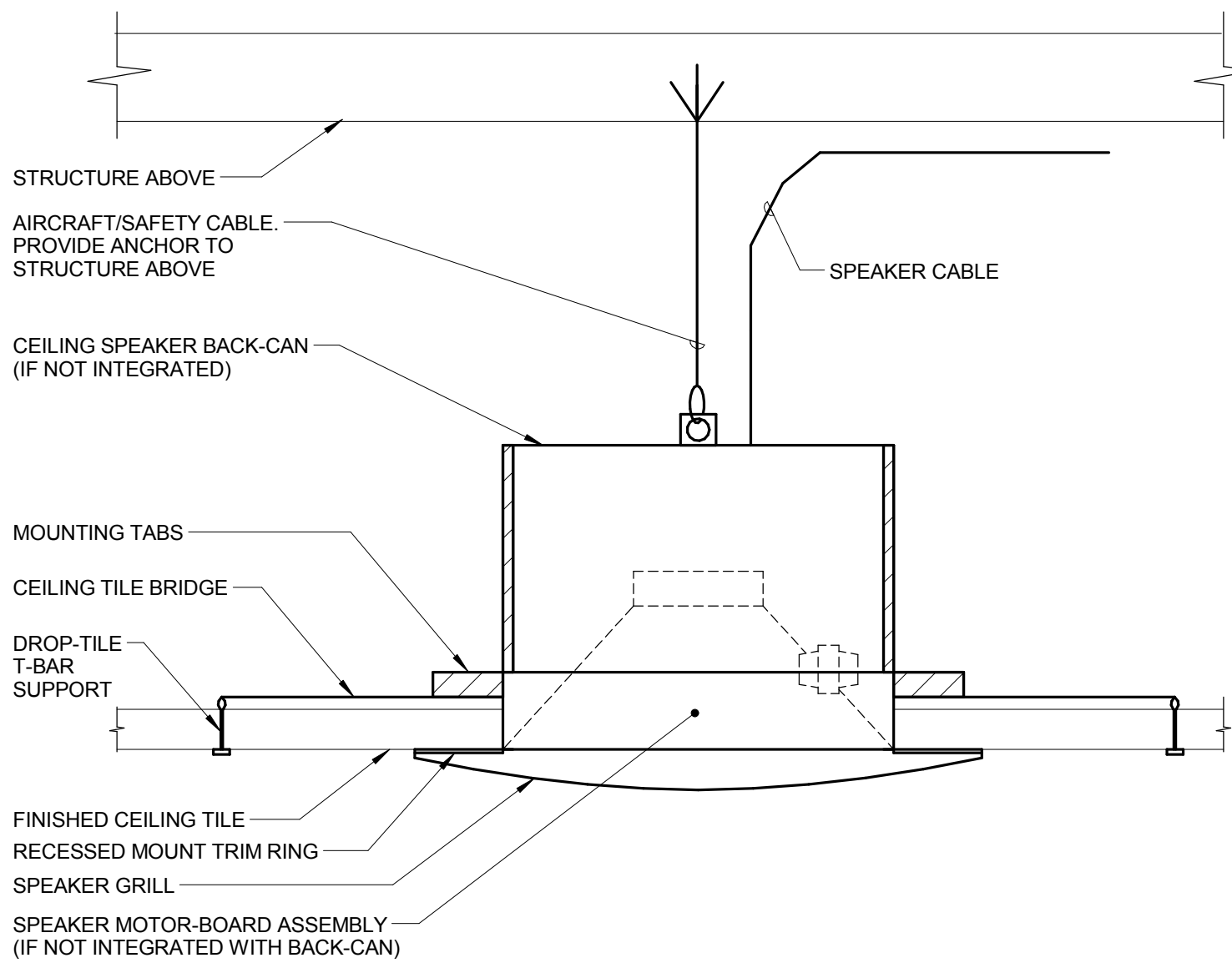
- KEYNOTES: (E)
 1. BONDING CONDUCTOR FOR TELECOMMUNICATIONS (BCT). BCT SHALL BE THE SAME SIZE AS THE TBS OR LARGER. REFER TO BONDING CONDUCTOR SIZING SCHEDULE FOR SIZING REQUIREMENTS.



3 TYPICAL TELECOM ROOM BONDING FLOW DIAGRAM

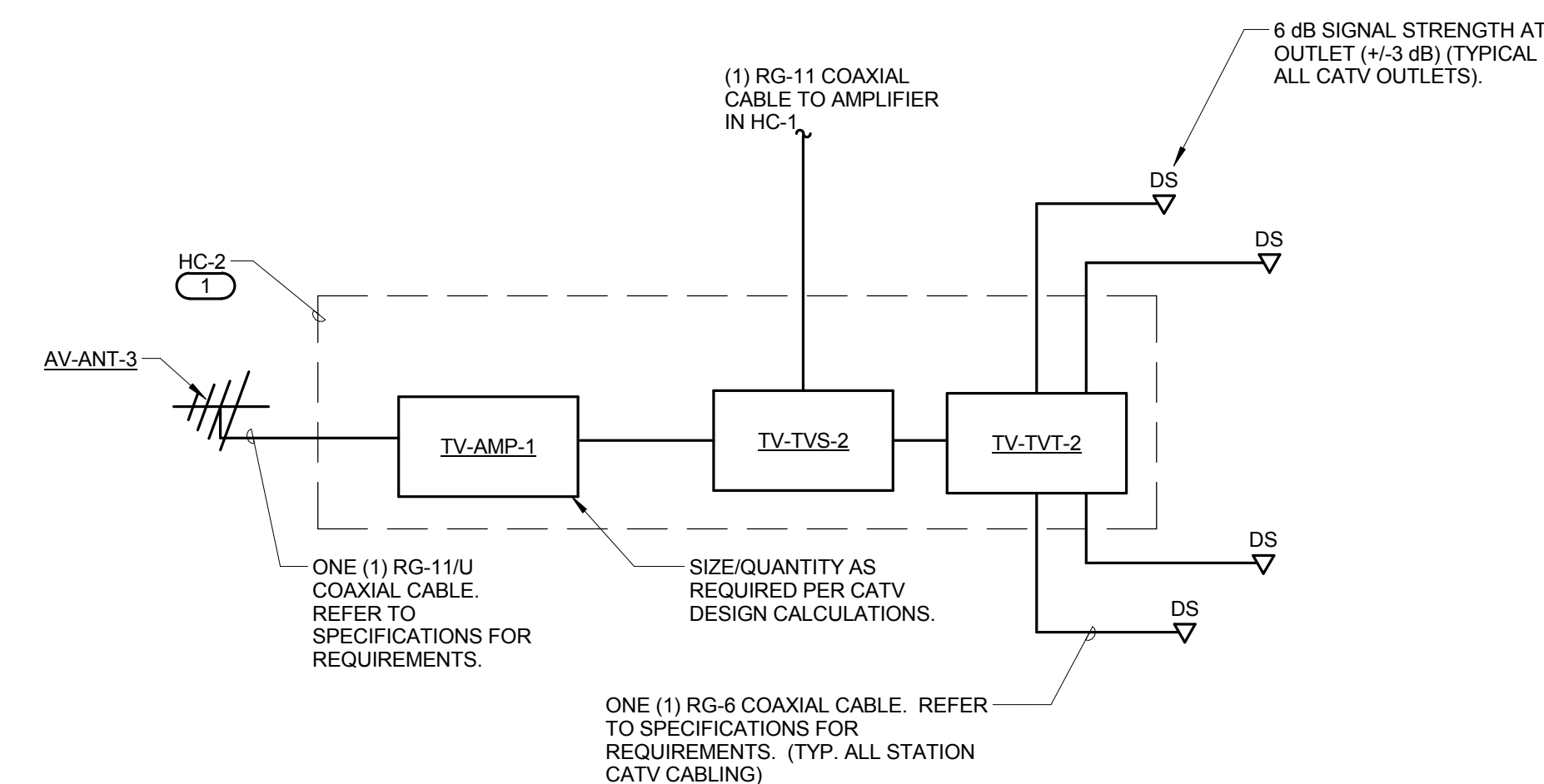
- NO SCALE
 NOTES:
 1. THIS FLOW DIAGRAM IS DIAGRAMMATIC AND MAY NOT SHOW ACTUAL ROUTING OR QUANTITIES OF MATERIALS. THIS FLOW DIAGRAM IS SHOWN FOR CLARIFICATION OF CONNECTION LOCATIONS AND CONDUCTOR TYPE. ALL CONNECTIONS AND SYSTEM DEVICES SHOWN ARE TYPICAL AND NOT REPRESENTATIVE OF ACTUAL PROJECT QUANTITIES. REFER TO FLOOR PLANS AND ENLARGED FLOOR PLANS FOR ACTUAL QUANTITIES AND LOCATIONS OF DEVICES AND MORE SPECIFIC ROUTING INFORMATION. REFER TO SPECIFICATIONS FOR ADDITIONAL REQUIREMENTS.
 2. ALL CONDUCTORS IN THE TECHNOLOGY BONDING SYSTEM SHALL BE MINIMUM SIZE OF 30 AWG (PLENUM RATED) COPPER (GREEN OR MARKED WITH A DISTINCTIVE GREEN COLOR) UNLESS CONDUCTOR LENGTH IS LESS THAN 66 FEET. REFER TO BONDING CONDUCTOR SIZING SCHEDULE FOR SIZING CRITERIA FOR CONDUCTORS LESS THAN 66 FEET IN LENGTH. REFER TO SPECIFICATIONS FOR ADDITIONAL REQUIREMENTS.
 3. ALL BONDING CONDUCTORS AND BONDING JUMPERS SHALL BE CONNECTED BY COMPRESSION LUGS, EXOTHERMIC WELDING, OR IRREVERSIBLE COMPRESSION CONNECTORS. SOLDER IS NOT AN ACCEPTABLE MEANS OF CONNECTION. SHEET METAL SCREWS SHALL NOT BE USED TO CONNECT COMMUNICATIONS BONDING CONDUCTORS TO EQUIPMENT. WHERE NECESSARY, REMOVE PAINT AND/OR USE PAINT-PIERCING WASHERS TO PROVIDE PROPER ELECTRICAL BOND AT ALL CONNECTIONS.
 4. REFER TO 114.00 FOR BONDING BUS BAR DETAIL AND ADDITIONAL INFORMATION AND REQUIREMENTS FOR SC-GND-1.

- KEYNOTES: (F)
 1. REFER TO TELECOM ROOM REFERENCES SCHEDULE ON DRAWING T0.00 FOR TELECOMMUNICATIONS ROOM NUMBER AND LOCATION INFORMATION.
 2. INCLUDES HORIZONTAL AND VERTICAL CONDUIT SLEEVES FOR TECHNOLOGY CABLING.
 3. TELECOMMUNICATIONS BONDING BACKBONE (TBB). REFER TO 214.00 FOR TELECOMMUNICATIONS BONDING RISER DIAGRAM.
 4. BONDING CONDUCTOR FOR TELECOMMUNICATIONS (BCT), TO ELECTRICAL ENTRANCE INTERSYSTEM BONDING TERMINATION. REFER TO 214.00 FOR TECHNOLOGY BONDING RISER DIAGRAM FOR CONTINUATION AND ADDITIONAL INFORMATION AND REQUIREMENTS.
 5. REFER TO THE ELECTRICAL DRAWINGS FOR LOCATION.
 6. PROVIDE SC-GND-2 RACK MOUNT TELECOMMUNICATIONS BONDING BUSBAR AT EACH EQUIPMENT RACK AND CABINET.
 7. BONDING EQUALIZER (BE). REFER TO 214.00 FOR TECHNOLOGY BONDING RISER DIAGRAM FOR CONTINUATION AND ADDITIONAL INFORMATION AND REQUIREMENTS ON TELECOMMUNICATIONS ROOMS THAT REQUIRE BONDING EQUALIZER CONNECTIONS.



4 CEILING SPEAKER MOUNTING DETAIL

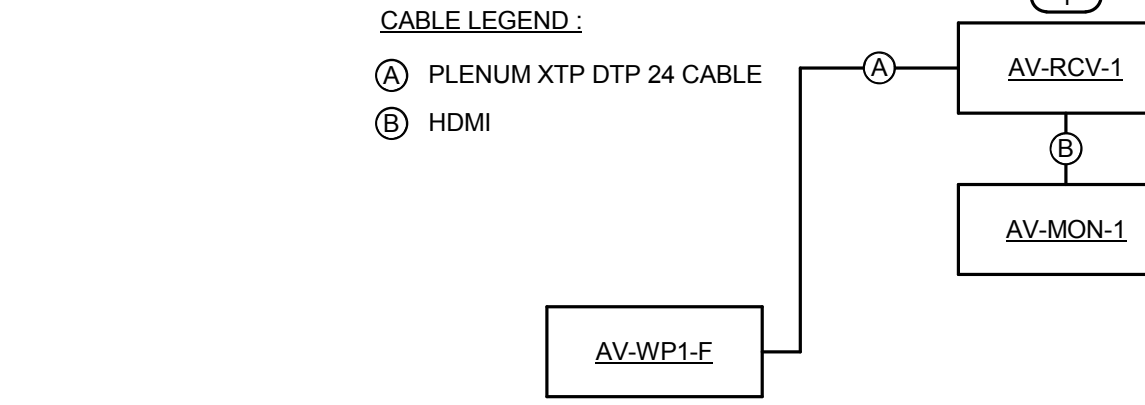
- NO SCALE
 NOTES:
 1. WHERE SUPPORTS ATTACH TO METAL ROOF DECKING, EXCLUDING CONCRETE ON METAL DECKING, DO NOT EXCEED 25 LBS. PER HANGAR AND A MINIMUM SPACING OF 2'-0" ON CENTER. THIS 25 LB. LOAD AND 2'-0" SPACING INCLUDE ELECTRICAL AND MECHANICAL ITEMS HANGING FROM DECK. IF THE HANGER RESTRICTIONS CANNOT BE ACHIEVED, THE ADDITION OF SUPPLEMENTAL FRAMING OFF STEEL FRAMING WILL BE REQUIRED.



5 PARTIAL CATV RISER DIAGRAM

- NO SCALE
 NOTES:
 1. CONTRACTOR TO PROVIDE CATV SYSTEM TO ALLOW 6dB +/- 3dB OF OUTPUT AT ALL TV OUTLETS. ACTUAL TAP/SPLITTER SETTINGS, LAYOUT, AND AMP SIZING/QUANTITY TO BE INCLUDED IN CONTRACTOR'S FINAL DESIGN. REFER TO SPECIFICATIONS FOR ADDITIONAL REQUIREMENTS.
 2. ALL CABLING IS TO BE RG-6 COAXIAL UNLESS OTHERWISE NOTED.
 3. REFER TO PLANS FOR QUANTITY OF CABLES AND JACKS TO BE INSTALLED AT EACH TELEVISION OUTLET.

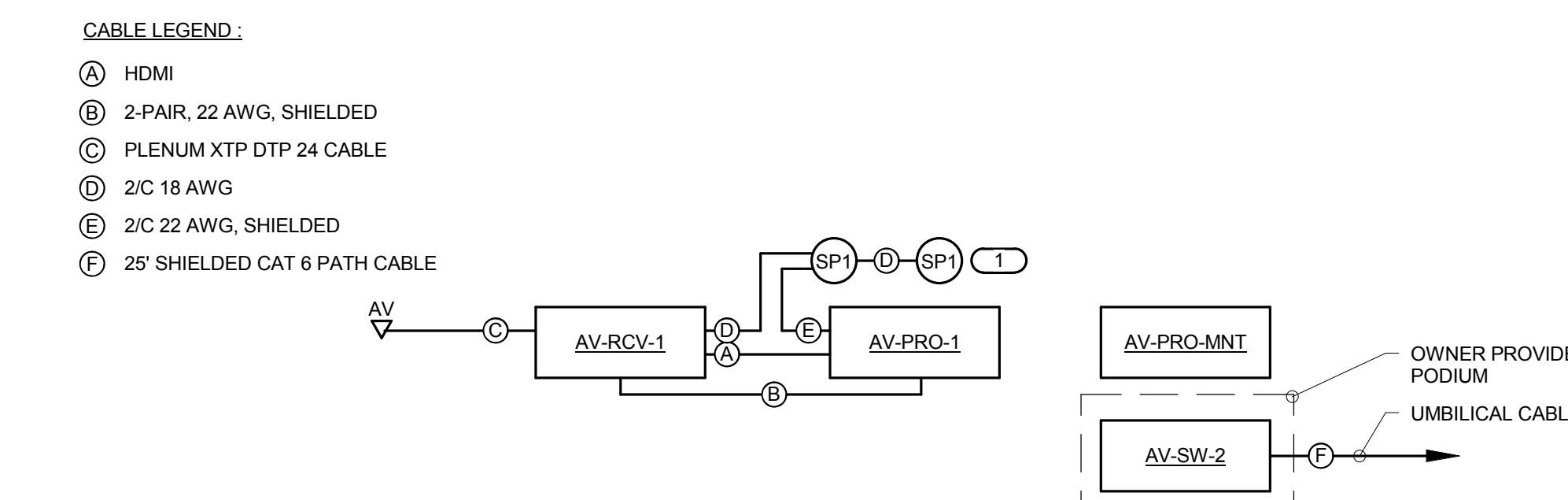
- KEYNOTES: (E)
 1. REFER TO COVERPAGE AND FLOOR PLANS FOR TELECOMMUNICATIONS ROOM LOCATIONS.



6 STUDENT MEETING ROOM AV RISER DIAGRAM

- NO SCALE
 NOTES:
 1. THIS RISER IS DIAGRAMMATIC AND MAY NOT SHOW ACTUAL ROUTING OR QUANTITIES OF MATERIALS. THIS RISER IS SHOWN FOR CLARIFICATION OF CONNECTION LOCATIONS AND CONDUCTOR TYPE. ALL CONNECTIONS AND SYSTEM DEVICES SHOWN ARE TYPICAL AND NOT REPRESENTATIVE OF ACTUAL PROJECT QUANTITIES. REFER TO FLOOR PLANS AND ENLARGED FLOOR PLANS FOR ACTUAL QUANTITIES AND LOCATIONS OF DEVICES AND MORE SPECIFIC ROUTING INFORMATION. REFER TO SPECIFICATIONS FOR ADDITIONAL REQUIREMENTS.

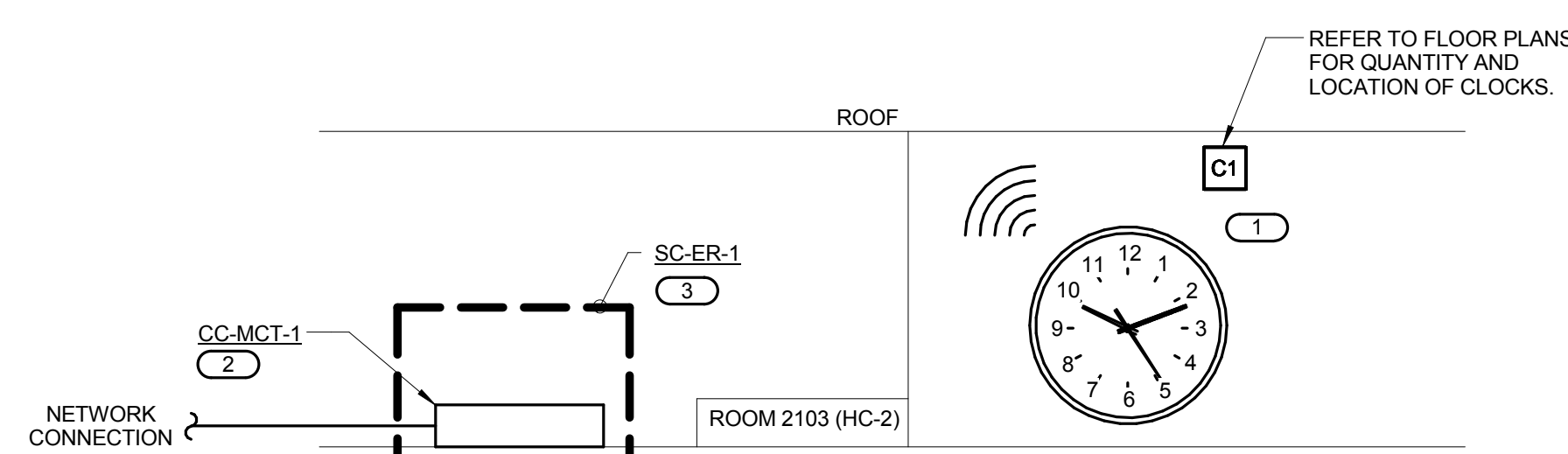
- KEYNOTES: (E)
 1. MOUNT AV-RCV-1 BEHIND AV-MON-1. SECURE DEVICE TO MOUNT.



7 CLASSROOM/CONFERENCE ROOM AV SYSTEM DIAGRAM

- NO SCALE
 NOTES:
 1. THIS RISER IS DIAGRAMMATIC AND MAY NOT SHOW ACTUAL ROUTING OR QUANTITIES OF MATERIALS. THIS RISER IS SHOWN FOR CLARIFICATION OF CONNECTION LOCATIONS AND CONDUCTOR TYPE. ALL CONNECTIONS AND SYSTEM DEVICES SHOWN ARE TYPICAL AND NOT REPRESENTATIVE OF ACTUAL PROJECT QUANTITIES. REFER TO FLOOR PLANS AND ENLARGED FLOOR PLANS FOR ACTUAL QUANTITIES AND LOCATIONS OF DEVICES AND MORE SPECIFIC ROUTING INFORMATION. REFER TO SPECIFICATIONS FOR ADDITIONAL REQUIREMENTS.

- KEYNOTES: (E)
 1. REFER TO PLANS FOR QUANTITIES, TYPE AND LOCATION OF SPEAKERS.



8 WIRELESS GPS CLOCK RISER DIAGRAM

- NO SCALE
 NOTES:
 1. REFER TO FLOOR PLANS FOR QUANTITY AND LOCATION OF CLOCKS.
 2. THE CC-MCT-1 SHALL BE PROGRAMMED TO SYNCHRONIZE. PROVIDE ALL NECESSARY HARDWARE, PROGRAMMING AND COORDINATE CONNECTION AND PROGRAMMING WITH EQUIPMENT PROVIDER.
 3. ANTENNA MOUNTED ON TOP OF RACK.

- CABLE LEGEND:
 (A) HDMI
 (B) 2-PAIR, 22 AWG, SHIELDED
 (C) PLENUM XTP DTP 24 CABLE
 (D) 2/C 18 AWG
 (E) 2/C 22 AWG, SHIELDED
 (F) 25' SHIELDED CAT 6 PATH CABLE

KJWW ENGINEERING CONSULTANTS
 1100 WARRENVILLE ROAD, SUITE 400W
 NAPERVILLE, ILLINOIS 60563
 630.527.2320 FAX: 630.627.2321
 WWW.KJWW.COM
 PROJECT # 14-005-00
 DESIGN FIRM REGISTRATION #14-005-0073

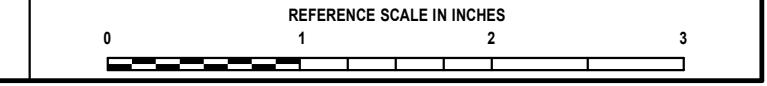
KJWW ENGINEERING RESERVES PROPRIETARY RIGHTS, INCLUDING COPYRIGHTS, TO THIS DRAWING AND THE DATA SHOWN THEREON. SAID DRAWING AND/OR DATA ARE THE EXCLUSIVE PROPERTY OF KJWW ENGINEERING AND SHALL NOT BE USED OR REPRODUCED FOR ANY OTHER PROJECT WITHOUT THE EXPRESS WRITTEN APPROVAL AND PARTICIPATION OF KJWW ENGINEERING. © 2015 KJWW, P.C.

SHEET STATUS: 9/21/15
ISSUED FOR CONSTRUCTION

NO.	DESCRIPTION	DATE

SHEET TITLE:
TECHNOLOGY DETAILS

SHEET NUMBER:
T4.00



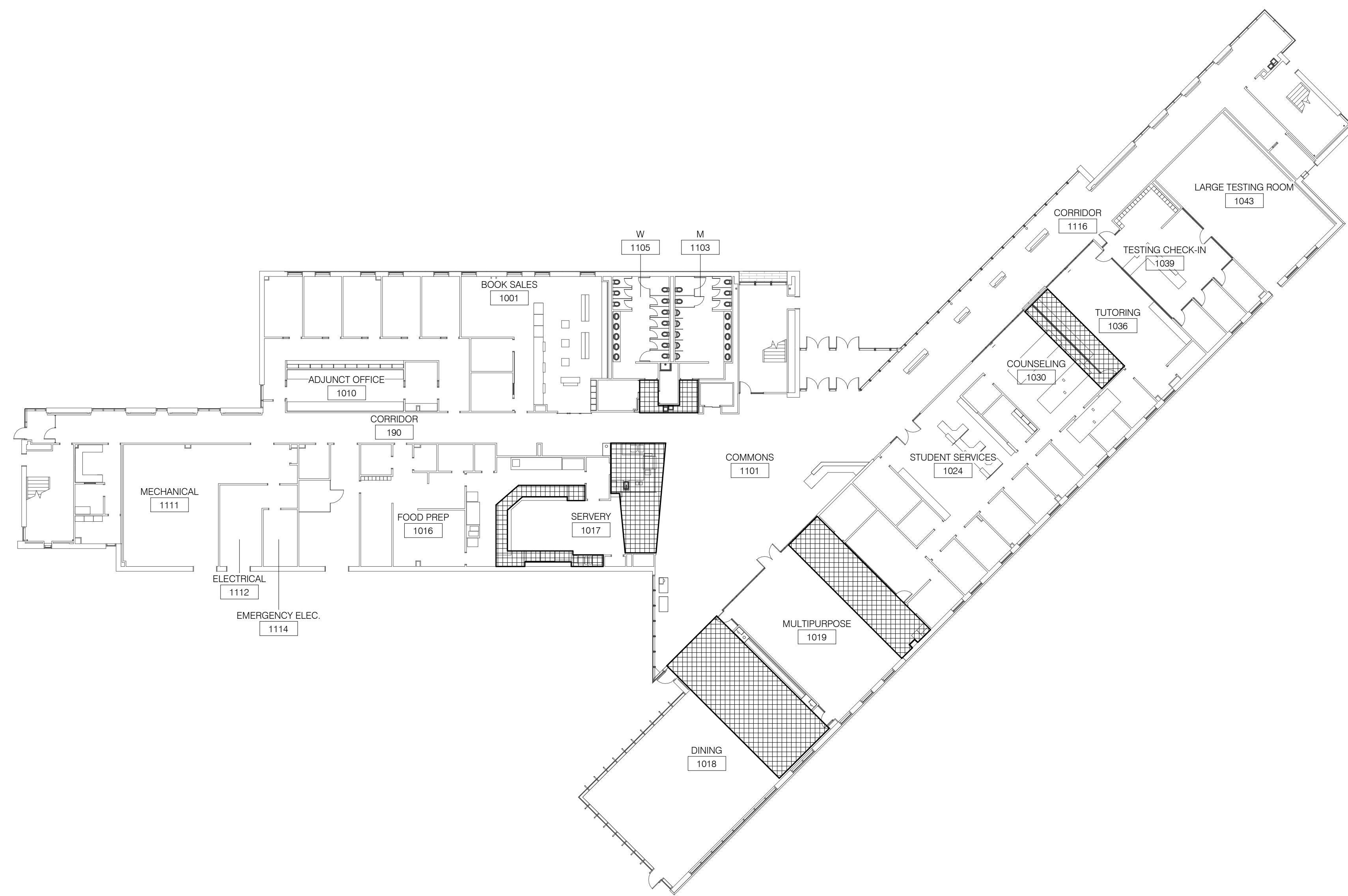


ARCHITECT OF RECORD
DEMONICA KEMPER ARCHITECTS
 125 N. HALSTED STREET, SUITE 301
 CHICAGO, IL 60661
 P: 312.496.0000

STRUCTURAL AND MEP/FP ENGINEERING
KJWW ENGINEERING CONSULTANTS
 1100 WARRENVILLE RD., SUITE 400W
 NAPERVILLE, IL 60563
 P: 630.527.2320

FOOD SERVICE CONSULTANT
CINI LITTLE INTERNATIONAL, INC.
 200 E. HOWARD AVE., SUITE 212
 DES PLAINES, IL 60018
 P: 847.298.0088

JOLIET JUNIOR COLLEGE
ROMEIOVILLE CAMPUS EXPANSION
 1125 135th ST. ROMEIOVILLE, IL 60446
 DKA PROJECT NO: 14-005

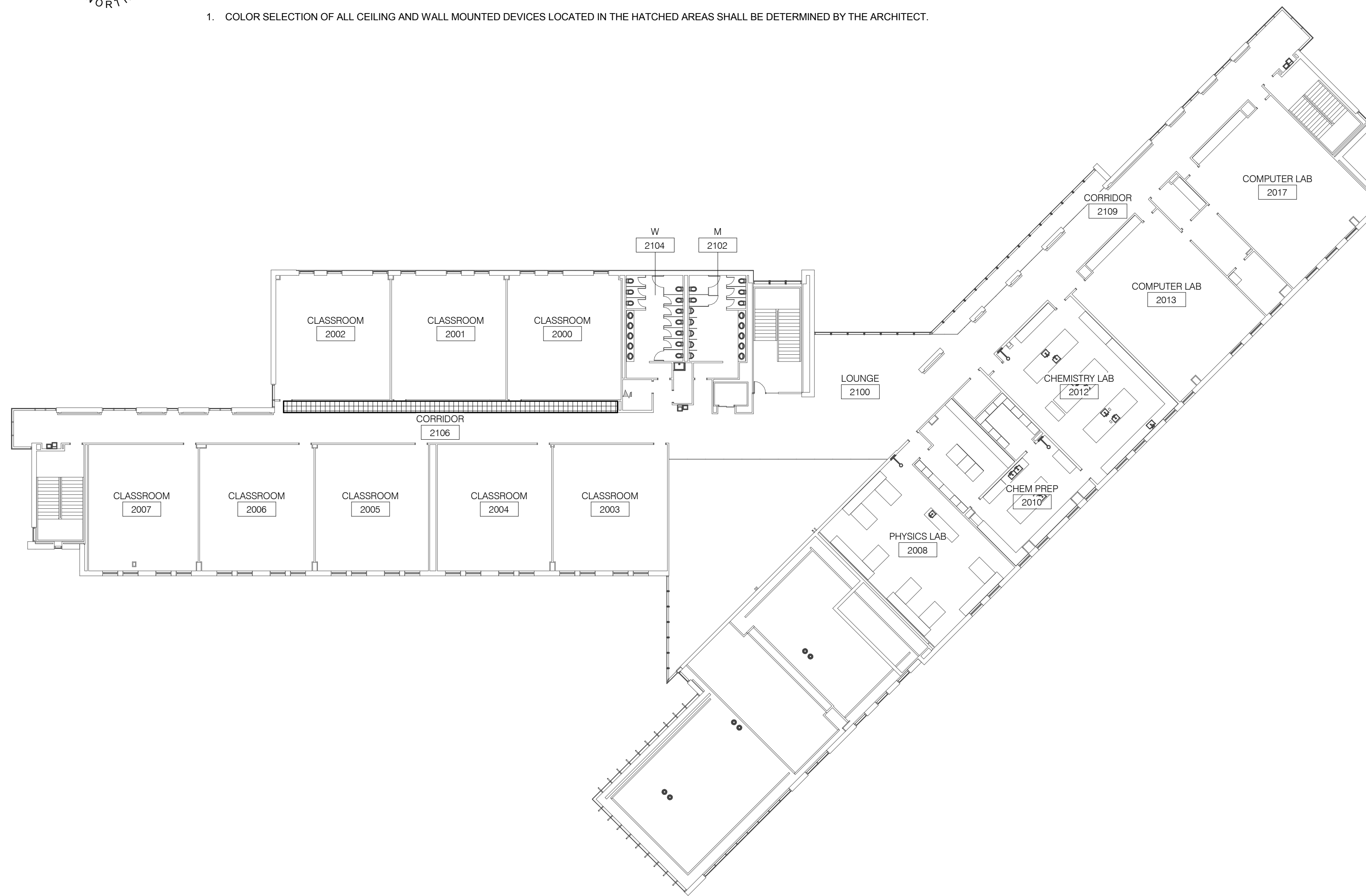


1 LEVEL 1 PLAN - AREAS REQUIRING CUSTOM COLOR DEVICES

1" = 20'-0"

NOTES:

- COLOR SELECTION OF ALL CEILING AND WALL MOUNTED DEVICES LOCATED IN THE HATCHED AREAS SHALL BE DETERMINED BY THE ARCHITECT.



2 LEVEL 2 PLAN - AREAS REQUIRING CUSTOM COLOR DEVICES

1" = 20'-0"

NOTES:

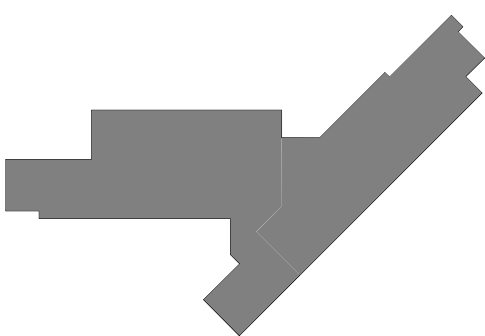
- COLOR SELECTION OF ALL CEILING AND WALL MOUNTED DEVICES LOCATED IN THE HATCHED AREAS SHALL BE DETERMINED BY THE ARCHITECT.

KJWW ENGINEERING CONSULTANTS
 1100 WARRENVILLE ROAD, SUITE 400W
 NAPERVILLE, IL 60563
 630.527.2320 FAX: 630.527.2321
 WWW.KJWW.COM
 PROJECT # 14-0446-00
 DESIGN FIRM REGISTRATION #18-00873

KJWW ENGINEERING RESERVES PROPRIETARY RIGHTS, INCLUDING COPYRIGHTS, TO THIS DRAWING AND THE DATA SHOWN THEREON. SAID DRAWING AND/OR DATA ARE THE EXCLUSIVE PROPERTY OF KJWW ENGINEERING AND SHALL NOT BE USED OR REPRODUCED FOR ANY OTHER PROJECT WITHOUT THE EXPRESS WRITTEN APPROVAL AND PARTICIPATION OF KJWW ENGINEERING. © 2015 KJWW, P.C.

REFERENCE SCALE IN INCHES
 0 1 2 3

KEY PLAN:



SHEET STATUS: 9/21/15
ISSUED FOR CONSTRUCTION

NO.	DESCRIPTION:	DATE:

SHEET TITLE:
TECHNOLOGY DETAILS

SHEET NUMBER:
T4.01

GENERAL TECHNOLOGY EQUIPMENT SCHEDULE		
THE TAG NAMES AND THE TECHNOLOGY EQUIPMENT SCHEDULE ARE FOR THE CONVENIENCE OF THE CONTRACTOR. EACH CONTRACTOR SHALL BE RESPONSIBLE FOR VERIFICATION OF QUANTITIES AND SHALL FURNISH ALL MATERIAL REQUIRED, WHETHER SPECIFIED OR NOT, TO PRODUCE A SATISFACTORY WORKING SYSTEM.		
CATALOG NUMBERS SHALL NOT BE CONSIDERED COMPLETE BUT ARE GIVEN ONLY TO AID THE CONTRACTOR IN THE SEARCH FOR MATERIAL. NO MATERIAL SHALL BE ORDERED BY MANUFACTURER AND CATALOG NUMBER ONLY. EACH CONTRACTOR SHALL FIRST READ THE COMPLETE DESCRIPTION OF THE MATERIAL ON THESE DRAWINGS AND SPECIFICATIONS. THE FIRST MANUFACTURER LISTED IS THE BASIS OF DESIGN. "STANDARD COLOR" INDICATES FACTORY FINISH AVAILABLE AT NO ADDITIONAL CHARGE.		
EQUIPMENT LIST ABBREVIATION	EQUIPMENT LIST DESCRIPTION	EQUIPMENT LIST MANUFACTURER AND MODEL
AC-CR1-W	CARD READER ROUGH-IN. FLUSH MOUNT ON WALL OR AS NOTED ON PLANS. ALL SECURITY ROUGH-INS SHALL HAVE (1) 4" SQUARE BACKBOX WITH SINGLE GANG PLASTER RING, APPROPRIATE COVERPLATE, AND (1) 1" EMT CONDUIT TO ABOVE ACCESSIBLE CEILING. HEADEND EQUIPMENT AND CONNECTIONS FOR ACCESS CONTROL SHALL BE LOCATED IN HC-1. CARD READER ROUGH-IN SHALL BE MOUNTED AT 42" A.F.F. REFER TO 1/75.00 FOR DOOR ROUGH-IN DETAIL FOR MORE INFORMATION.	ROUGH IN ONLY
AC-CSS	ACCESS CONTROL SECURITY SYSTEM ROUGH-IN. REFER TO 1/75.00 FOR DOOR ROUGH-IN DETAIL FOR MORE INFORMATION.	ROUGH IN ONLY
AC-LD-W	ACCESS CONTROL DOOR LOCKDOWN DEVICE ROUGH-IN. INSTALL (1) 4" SQUARE BACKBOX WITH SINGLE GANG PLASTER RING, APPROPRIATE COVERPLATE, AND (1) 3/4" EMT CONDUIT TO ABOVE ACCESSIBLE CEILING.	ROUGH IN ONLY
AV-ALS-1	ASSISTIVE LISTENING SYSTEM, ADA STANDARD STATIONARY RF SYSTEM, INCLUDES (1) ONE RF TRANSMITTER 72 OR 216MHZ, (1) ONE UNIVERSAL REMOTE MOUNT ANTENNA KIT AV-ANT-2, (1) ONE UNIVERSAL RACK MOUNTING KIT, (4) FOUR PORTABLE RF RECEIVERS 72 AND 216MHZ, (4) TWO NECK LOOPS, (1) ASSISTIVE LISTENING NOTIFICATION SIGNAGE. PROVIDE ADDITIONAL RECEIVERS, SPEAKERS AND NECK LOOPS AS REQUIRED BASED ON SEATING CAPACITY. REFER TO SPECIFICATION SECTION 27.41.00 FOR ADDITIONAL INFORMATION. PROVIDE 4" SQUARE BOX WITH SINGLE GANG RING AND 3/4" EMT CONDUIT TO AV-ER-2, FOR AV-ANT.	LISTEN TECHNOLOGIES TRANSMITTER LT-600 RECEIVER LR-400 EAR SPEAKER LA-164 NECK LOOP LA-166 ANTENNA KIT LA-122 RACK KIT LA-326 WILLIAM SOUND
AV-AMP-1	40 WATT / 70 VOLT AMPLIFIER, FREQUENCY RESPONSE 100 HZ TO 20 KHZ. MOUNT ON SHELF IN RACK. COMPACT SINGLE CHANNEL, POWER AMPLIFIER, ENERGY STAR QUALIFIED, TRANSFORMER ISOLATED OUTPUT, HIGH-EFFICIENCY CLASS D TOPOLOGY, CONNECTION COOLED, BALANCED LINE OUTPUT VIA TERMINAL BLOCK, BUILT IN STEREO TO MONO SUMMING ELECTRONIC SHORT CIRCUIT AND PROTECTION OVERLOAD, SIMPLE VOLUME, BASS AND TREBLE ADJUSTMENTS.	EXTRON MPA 401
AV-ANT	HEARING ASSISTIVE UNIVERSAL ANTENNA, INVERSE CEILING MOUNTED.	NO SUBSTITUTION
AV-ANT-1	WIRELESS MICROPHONE, REMOTE ANTENNA MOUNTED AT CEILING. PROVIDE 4" SQUARE BOX WITH A SINGLE GANG PLASTER RING AND 3/4" EMT CONDUIT TO ABOVE ACCESSIBLE CEILING.	SHURE UA 820
AV-ANT-3	ROOF MOUNTED HDTV ANTENNA. PROVIDE WITH 1-1/2" 10' MAST. PROVIDE 1-1/2" WEATHER HEAD. COORDINATE ROOF LOCATION WITH ARCHITECT. PROVIDE (1) 1-1/2" CONDUIT TO HC-1. PROVIDE WITH ROHR JMN-23855 NON-PENETRATING BALLAST ROOF MOUNT AND (12) CONCRETE BLOCKS.	WINEGARD HD7696P
AV-ANT-SPLT	2 X 1 ANTENNA SPLITTER/COMBINER.	SHURE UA221
AV-CNTL-1	WALL MOUNTED WIRED 7" WIDESCREEN ACTIVE-MATRIX COLOR TOUCH SCREEN. POE NETWORK POWERED. INCLUDE BB710M BACKBOX. PROVIDE 3/4" EMT CONDUIT TO AV-ER-2. COORDINATE COLOR WITH ARCHITECT. PROVIDE WITH XTP PI 100 POE POWER INJECTOR.	WINEGARD HD7696P CHANNEL MASTER RCA
AV-ER-2	AV SLIDE OUT, ROTATING CABINET, 19.125" (W) X 31" (H) X 19.14" (D) WITH 16 USABLE RACK SPACES AND 250 LB WEIGHT CAPACITY. RACK RAIL SHALL BE 1" GAUGE STEEL WITH TAPPED 10-32 HOLES IN UNIVERSAL EIA SPACING. PROVIDE WITH BLACK FLAT POWDER COATED FINISH. PROVIDE (1) 1-1/4" AND (1) 3/4" CONDUITS TO ACCESSIBLE CEILING SPACE. COORDINATE MOUNTING WITH ARCHITECT PRIOR TO INSTALLATION.	EXTRON TMP PRO 720M
AV-MNT-2	TILT WALL MOUNT BRACKET FOR 55" DISPLAY. PROVIDE WITH +18-5 DEGREES OF TILT AND FIXED TILT LOCK WITH 5 DEGREE INCREMENTS. PROVIDE WITH SECURITY LOCK. CONTRACTOR TO PROVIDE THIS MOUNT FOR ALL OWNER FURNISHED DISPLAYS AND DIGITAL SIGNAGE MONITORS.	PEERLESS STX498 WINEGARD CHIEF PREMIER
AV-MON-1	OWNER FURNISHED CONTRACTOR INSTALLED 55" VIDEO DISPLAY.	OWNER FURNISHED CONTRACTOR INSTALLED
AV-PRO-1	3LCD PROJECTOR WITH 1024 X 768 NATIVE RESOLUTION, 802.11A, G WIRELESS CONNECTIVITY, VGA, USB, S-VIDEO AND COMPOSITE VIDEO AND 3.5MM AUDIO INPUTS. PROVIDE OPTIONAL WIRED ETHERNET LAN MODULE. PROVIDE BMS LOCI SERIES SECURITY MOUNT, DCP SERIES CEILING MOUNT AND ADJUSTABLE EXTENSION COLUMN.	OWNER FURNISHED CONTRACTOR INSTALLED
AV-PRO-2	VIDEO PROJECTOR, 10,000 LUMENS CEILING MOUNTED, 1920 X 1200 NATIVE RESOLUTION, 16X10 ASPECT RATIO PROVIDE WITH STANDARD LENS.	OWNER FURNISHED CONTRACTOR INSTALLED
AV-PRO-MNT	UNIVERSAL LOCKING PROJECTOR MOUNT, WITH #30 KEYLOCK, TWO INTERLOCKING STEEL TRAYS WITH ACCESS TO LAMP AND FILTER, HIGH SECURITY, PICK RESISTANCE, ADJUST WITHOUT TOOLS. 15 DEGREE +/- TILT, PITCH AND YAW.	BMS LDC LOC II
AV-RCV-1	MEDIA RECEIVER WALL PLATE. MOUNT BEHIND MONITOR OR IN CEILING AT PROJECTOR. PROVIDES (1) HDMI OUTPUT. PROVIDE ALL CABLES REQUIRED FOR INSTALLATION AND OPERATION. PROVIDE 4" SQUARE BOX WITH DOUBLE GANG VERTICAL RING AND 3/4" CONDUIT TO ACCESSIBLE CEILING OR FLOOR BOX. COORDINATE COLOR WITH ARCHITECT.	EXTRON DTP HDMI 4K 230D RX
AV-SP1-C	SELF AMPLIFIED SPEAKER SYSTEM CONSISTING ON (1) MASTER SPEAKER WITH AMPLIFIER AND (3) SLAVE SPEAKERS.	NO SUBSTITUTION
AV-SP2-C	COAXIALLY MOUNTED 6.5 IN WOOFER WITH BUTYL RUBBER SURROUND AND 3/4 IN TITANIUM COATED DIFFRACTION-LOADED TWEETER. HIGH POWER, WIDE FREQUENCY RANGE AND LOW DISTORTION FOR HIGH SOUND LEVEL CAPABILITY AND BUILT IN 70.7 / 100 VOLT TRANSFORMER WITH SELECTABLE TAPS, VIA ROTARY SWITCH WITH INTEGRATED BACKCAN.	AMK JBL CONTROL 26 CT TANNOY E-V
AV-SW-1	MEDIA PRESENTATION SWITCH, HIGH DEFINITION MULTI MEDIA SWITCHER, MIX MICRER, AUDIO DSP, AMPLIFIER AND CONTROL SYSTEM. ABILITY TO HANDLE RGB, COMPOSITE, S-VIDEO, COMPONENT AND STEREO AUDIO ANALOG SOURCES. HDMI, DVI, DISPLAY PORT MULTIMODE, HD BASE T AND SPDIF DIGITAL SOURCES. MATRIX ROUTING 8 X 4.	EXTRON DTP CROSSPOINT IPCP MA70 (60-398-154)
AV-SW-2	THREE INPUT SWITCHER WITH INTEGRATED DTP TRANSMITTER. TRANSMITS HDMI OR ANALOG VIDEO, CONTROL AND ANALOG AUDIO. 230' OVER A SHIELDED CAT6 CABLE. TWO HDMI AND ONE VGA INPUT. AUTO-SWITCHING BETWEEN INPUTS. EDID MINDER, BIDIRECTIONAL RS-232 AND IR FOR AV DEVICE CONTROL. HDCP COMPLIANT AND AUDIO INPUT ASSIGNMENT. PROVIDE WITH UNDER DESK MOUNTING KIT.	EXTRON DTP T USW 233
AV-VPS-1	CEILING MOUNTED RECESSED ELECTRIC SCREEN, TENSIONED ADVANTAGE ELECTROL, 113 INCH DIAGONAL, 16 X 10 FORMAT, HD PROGRESSIVE 1.3 GAIN SURFACE WITH BUILT-IN LOW VOLTAGE CONTROL AND SILENT MOTOR.	DALITE 24713LS DRAPER STEWART
AV-VPS-2	WALL MOUNTED PROJECTION SCREEN, 94 INCH DIAGONAL, MANUAL SCREEN, 16 X 10 FORMAT, DA-MAT SURFACE. PROVIDE WALL MOUNT BRACKET (DALITE 40932).	DALITE 36461 DRAPER STEWART
AV-WM-1	THE WIRELESS SYSTEM SHALL OPERATE IN THE UHF BAND BETWEEN 524 MHZ AND 865 MHZ. EFFECTIVE RANGE OF RECEIVER TO TRANSMITTER SHALL BE 100 METERS (300 FT) UNDER OPTIMUM CONDITIONS. AN INFRARED SIGNAL BEAMED FROM THE RECEIVER SHALL BE USED TO SYNCHRONIZE THE FREQUENCY BETWEEN THE TRANSMITTER AND RECEIVER WITH INCLUDED RACK HARDWARE AND DETACHABLE ANTENNAS. COORDINATE FREQUENCIES WITH WIRELESS COMPATIBILITY CHARTS AND/OR FREQUENCY FINDER PROVIDE (2) RECEIVERS WITH RACK MOUNT KIT.	SHURE SLX4 (H5)
AV-WM-2	HANDHELD WIRELESS MICROPHONE TRANSMITTER, POWERED BY TWO AA BATTERIES. UNIT SHALL HAVE ON/OFF / MUTE SWITCH AS WELL AS A TIMED BACKLIT LCD SHOWING FREQUENCY GROUP AND CHANNEL, LOCKED / UNLOCKED STATUS, AND BATTERY STRENGTH.	AGK AUDIO-TECHNICA SHURE SLX2/SM58 (H5)
AV-WM-3	WIRELESS MICROPHONE BELTPACK AND CARDIOID LAVALIER MICROPHONE. THE TRANSMITTER WILL OPERATE IN UHF BAND AND HAVE AN EFFECTIVE RANGE OF 300 FEET UNDER OPTIMUM CONDITIONS. UNITS SHALL HAVE ON/OFF / MUTE SWITCH AS WELL AS A TIMED BACKLIT LCD SHOWING FREQUENCY GROUP AND CHANNEL, LOCKED/UNLOCKED STATUS AND BATTERY STRENGTH. THE LAVALIER MICROPHONE SHALL BE A CARDIOID ELEMENT, LOW PROFILE.	SHURE SLX1/WL185 (H5) AGK AUDIO-TECHNICA
AV-WP1-F	MEDIA TRANSMITTER MOUNTED IN FLOOR BOX BELOW TABLE. PROVIDE 3/4" CONDUIT TO BEHIND AV-MON-1. THE UNIT SHALL PROVIDE SIMPLE SWITCHING BETWEEN TWO INPUTS, HDMI AND VGA. THE INPUTS CAN BE CONFIGURED TO SWITCH AUTOMATICALLY OR BE SELECTED THROUGH A CONTROL SYSTEM. THE UNIT WILL PERFORM AUTOMATIC AV SIGNAL FORMAT MANAGEMENT VIA EDID.	EXTRON DTP T UWP 232D
AV-WP1-W	PROVIDES A REMOTE WALL PLATE INPUT CONNECTION FOR HDMI AND RGB SOURCES AS PART OF A COMPLETE MEDIA SYSTEM. CONNECTS TO THE INPUT OF A DTP SWITCHER OR RECEIVER VIA XTP 24 CABLE. MOUNTS IN A DOUBLE-GANG ELECTRIC BOX. INSTALL AT OUTLET HEIGHT WITH 3/4" CONDUIT TO ACCESSIBLE CEILING.	EXTRON DTP T UWP 232D
CC-C1-W	WIRELESS ANALOG CLOCK, 12" 18" ROUND, REQUIRES 115 VAC FOR POWER HAS THE ABILITY TO SYNC IN 5 MINUTES AUTOMATICALLY. COORDINATE MOUNTING HEIGHT WITH ARCHITECT PRIOR TO ROUGH-IN.	AMERICAN TIME AND SIGNAL SINGLE FACE SQ56BAD304R
CC-MCT-1	REMOTE CLOCK SYSTEM TRANSMITTER/CONTROLLER WITH 10 WATT OUTPUT, ETHERNET SYNC AND MAGNETIC MOUNT ANTENNA. FCC LICENSE PROVIDED WITH SYSTEM. REFER TO 8/14.00 FOR ADDITIONAL INFORMATION.	AMERICAN TIME AND SIGNAL SS30TH-104E
IC-EP-W	FULL DUPLEX EMERGENCY SPEAKERPHONE WITH (4) ACTIVE TOUCH BUTTONS INPUTS. DUAL CALL PROGRESS INDICATORS AND CONFORMAL COATED PCB FOR EMERGENCY COMMUNICATION. 3 MB MEMORY STORAGE. MESSAGE PLAYBACK OPTIONS. POWER OVER ETHERNET 12-24V AC/DC@400 MA WITH OPTIONAL BATTERY BACKUP. (1) 1" EMT CONDUIT TO ABOVE ACCESSIBLE CEILING. COORDINATE MOUNTING HEIGHT WITH ARCHITECT PRIOR TO ROUGH-IN.	CODE BLUE IP5000 CB 6-P (ENCLOSURE) OR APPROVED EQUAL
SC-ER-1	2 POST EQUIPMENT RACK, 45 RU, 84" H X 20 3/4" W, X 37D, STANDARD 19" MOUNTING SPACE, #12-24 THREADED MOUNTING HOLES, DURABLE BLACK POWDER COAT FINISH, MEETS EIA-310-E REQUIREMENTS. 1000 LBS LOAD CAPACITY. UL LISTED.	PANDUIT R2P
SC-FDC-1	OPTICAL FIBER DISTRIBUTION CABINET, COMBINATION SHELF, 288 FIBER CAPACITY, SLIDE OUT RAILS TO FACILITATE FRONT ACCESS, JUMPER THROUGH IN CONNECTOR PANELS TO REDUCE MOUNTING SPACE, PROVIDE WITH CLAMP AND GROUNDING KIT, COUPLING PANELS, LC CONNECTORS, COUPLINGS AND JUMPERS, REQUIRES (4) 1.75" MOUNTING SPACES.	NO SUBSTITUTION PANDUIT FRM4

GENERAL TECHNOLOGY EQUIPMENT SCHEDULE		
THE TAG NAMES AND THE TECHNOLOGY EQUIPMENT SCHEDULE ARE FOR THE CONVENIENCE OF THE CONTRACTOR. EACH CONTRACTOR SHALL BE RESPONSIBLE FOR VERIFICATION OF QUANTITIES AND SHALL FURNISH ALL MATERIAL REQUIRED, WHETHER SPECIFIED OR NOT, TO PRODUCE A SATISFACTORY WORKING SYSTEM.		
CATALOG NUMBERS SHALL NOT BE CONSIDERED COMPLETE BUT ARE GIVEN ONLY TO AID THE CONTRACTOR IN THE SEARCH FOR MATERIAL. NO MATERIAL SHALL BE ORDERED BY MANUFACTURER AND CATALOG NUMBER ONLY. EACH CONTRACTOR SHALL FIRST READ THE COMPLETE DESCRIPTION OF THE MATERIAL ON THESE DRAWINGS AND SPECIFICATIONS. THE FIRST MANUFACTURER LISTED IS THE BASIS OF DESIGN. "STANDARD COLOR" INDICATES FACTORY FINISH AVAILABLE AT NO ADDITIONAL CHARGE.		
EQUIPMENT LIST ABBREVIATION	EQUIPMENT LIST DESCRIPTION	EQUIPMENT LIST MANUFACTURER AND MODEL
SC-FDC-2	OPTICAL FIBER DISTRIBUTION CABINET, COMBINATION SHELF, 48 FIBER CAPACITY, SLIDE OUT RAILS TO FACILITATE FRONT ACCESS, JUMPER THROUGH IN CONNECTOR PANELS TO REDUCE MOUNTING SPACE, PROVIDE WITH CLAMP AND GROUNDING KIT, COUPLING PANELS, LC CONNECTORS, COUPLINGS AND JUMPERS, REQUIRES (1) 1.75" MOUNTING SPACES.	PANDUIT FRM1E-U
SC-GND-1	WALL MOUNT GROUND BAR, 4" H X 12" L X 1/4" D COPPER, ELECTRICALLY ISOLATED BY INSULATORS INTEGRAL TO MOUNTING BRACKETS. PROVIDE UNIT CONFIGURED WITH SIXTEEN (16) SETS OF 5/16" HOLES SPACED 5/8" ON CENTER TO ACCOMMODATE "A" SPACED TWO-HOLE COMPRESSION LUGS AND THREE (3) SETS OF 7/16" HOLES SPACED 1" ON CENTER TO ACCOMMODATE "C" SPACED TWO-HOLE COMPRESSION LUGS. ANSIE/ASTM-607 AND BICSI COMPLIANT. UL LISTED. REFER TO 4/74.00 FOR ADDITIONAL INFORMATION.	NO SUBSTITUTION PANDUIT GB480612TP-1
SC-IO-C	INFORMATION OUTLET, CEILING MOUNT, 2-PORT COVERPLATE AS INDICATED ON DRAWINGS. REFER INFORMATION OUTLET SCHEDULE ON SHEET 10.00 FOR PIN CONFIGURATION. * * * INDICATES INFORMATION OUTLET FACEPLATE CONFIGURATION AS INDICATED ON THE PLANS. REFER TO INFORMATION OUTLET SCHEDULE ON SHEET 10.00 FOR DETAILS.	COVERPLATE: PANDUIT CFP2W
SC-IO-FB	INFORMATION OUTLET, FLOORBOX OR POKE-THROUGH MOUNT, 2, 4, 6-PORT COVERPLATE AS INDICATED ON DRAWINGS. REFER TO INFORMATION OUTLET SCHEDULE ON SHEET 10.00 FOR DETAILS. * * * INDICATES INFORMATION OUTLET FACEPLATE CONFIGURATION AS INDICATED ON THE PLANS. REFER INFORMATION OUTLET SCHEDULE ON SHEET 10.00 FOR DETAILS.	COVERPLATE: PANDUIT CFP2W CFP4W CFP6W JACK: PANDUIT CAT 6 C3688TGW
SC-IO-W	INFORMATION OUTLET, WALL MOUNT, 2, 4, 6-PORT COVERPLATE AS INDICATED ON DRAWINGS. REFER TO INFORMATION OUTLET SCHEDULE ON SHEET 10.00 FOR DETAILS. * * * INDICATES INFORMATION OUTLET FACEPLATE CONFIGURATION AS INDICATED ON THE PLANS. REFER INFORMATION OUTLET SCHEDULE ON SHEET 10.00 FOR DETAILS.	COVERPLATE: PANDUIT CFP2W CFP4W CFP6W JACK: PANDUIT CAT 6 C3688TGW
SC-LP1-W	LAPTOP WALL MOUNT CABINET, DOUBLE DOOR, KEY LOCK, AUTO CLOSELOER DOOR, VELCRO STRAPS IN UPPER COMPARTMENT, MONITOR MOUNT, MOUSE BRACKET, SUPPORTS THIN CLIENT, 19-22" WIDESCREEN MONITOR, BAR CODE READER, KEYBOARD, MOUSE AND APC BATTERY PACK. PROVIDE WITH BRIGHT WHITE FINISH.	PETER PEPPER PRODUCTS CS10
SC-LR-1	LADDER RACK, 18" W TUBULAR STEEL CONSTRUCTION, RUST RESISTANT ENAMEL FINISH, REMOVE SHARP BURRS FROM LADDER RACK AND REPAINT ALL AREAS THAT HAVE BEEN FIELD MODIFIED, CUT OR EXPOSED. U.L. LISTED.	HOMACO INC. TR10-18
SC-MPP-1	MODULAR PATCH PANEL, 48 MODULAR RJ-45 TERMINATIONS, MOUNTS DIRECTLY TO EIA/19" STANDARD 19" RELAY RACK, PORT IDENTIFICATION NUMBERS, PROVIDED WITH COLOR CODING AND LABEL HOLDER KITS. U.L. LISTED. REQUIRES (2) 1.75" MOUNTING SPACES.	PANDUIT CAT 6 CPP48FMWBLV
SC-RI-W	TECHNOLOGY ROUGH-IN, HORIZONTALLY MOUNTED. ALL TECHNOLOGY ROUGH-INS SHALL HAVE (1) 4" SQUARE BACKBOX WITH SINGLE GANG PLASTER RING UNLESS OTHERWISE NOTED. APPROPRIATE COVERPLATE AND 1-1/4" EMT CONDUIT TO ACCESSIBLE CEILING OR AS PER NOTED IN PLANS.	JACK: PANDUIT CAT 6 C3688TGBL
SC-TTB	TELECOMMUNICATIONS TERMINAL BOARD, 4' X 8' X 3/4" A-C GRADE FIRE-RATED PLYWOOD, EXPOSED SIDE SHALL BE SMOOTH. MOUNT VERTICALLY WITH TOP OF PLYWOOD AT 86" A.F.F.	*
SC-WM-1	VERTICAL WIRE MANAGER, 83H X 4 5/8" X 12"D, INCLUDES HINGED COVERS, CABLE RETAINERS, MOUNTING BRACKETS AND #12-24 SCREWS, BLACK POWDER COATED.	PANDUIT WMPV45E
SC-WM-1	HORIZONTAL WIRE MANAGEMENT, 3" X 3" RIGID FRONT FINGERS WITH FLEXIBLE RETENTION TABS, 2" X 5" FLEXIBLE REAR FINGERS, REMOVABLE FRONT COVER HINGES 180 DEGREES UP OR DOWN, INTEGRAL BEND RADIUS CONTROL, PASS THROUGH HOLES ALLOW FRONT TO REAR CABLING. REQUIRES (2) 1.75" MOUNTING SPACES.	PANDUIT WMPH2E
SC-WP-W	INFORMATION OUTLET, WALL PHONE, PROVIDE (1) RJ-45 JACK FOR VOICE AT +48" AFF FOR WALL HUNG PHONE. PROVIDE WITH STAINLESS STEEL FACEPLATE, MATING LUGS. INSTALL INFORMATION OUTLET IN A 4" SQUARE BACKBOX WITH A SINGLE GANG PLASTER RING. INSTALL A 3/4" EMT CONDUIT TO NEAREST ACCESSIBLE CEILING.	COVERPLATE: PANDUIT KWPPPY JACK: PANDUIT CAT 6 C3688TGW
TV-AMP-1	BROADBAND DISTRIBUTION AMPLIFIER, 49-1000 MHZ FREQUENCY RANGE, +40 dBmV OUTPUT LEVEL, POWER DOUBLING CAPABILITY, ALUMINUM CHASSIS, WALL MOUNTED, BUILT-IN VARIABLE GAIN AND SLOPE CONTROLS WITH 10 dB GAIN CONTROL, RANGE AND 8 dB SLOPE CONTROL RANGE, INPUT AND OUTPUT TEST PORTS, PROVIDES TEMPERATURE STABILITY, LINE TRANSPARENT PROTECTION.	BLONDER TONGUE BIDA-100A-30
TV-TVS-2	2-WAY SPLITTER, 10-1000 MHZ FREQUENCY RANGE, IN-LINE, RF SHIELDING, MOUNTING TABS AND GROUNDING BLOCKS, DIE CAST HOUSING, OUTPUT LOSSES WILL VARY, PROVIDE PER INSTALLATION REQUIREMENTS.	BLONDER TONGUE SUV-2
TV-TVT-2	2-WAY DIRECTIONAL COUPLER/TAP, 5-1000 MHZ FREQUENCY RANGE, RF SHIELDING, DIE CAST HOUSING, ISOLATION OUTPUTS AND THRU-LINE LOSSES WILL VARY, PROVIDE PER INSTALLATION REQUIREMENTS.	BLONDER TONGUE SRT-2A



ARCHITECT OF RECORD
DEMIONA KEMPER ARCHITECTS
 125 N. HALSTED STREET, SUITE 301
 CHICAGO, IL 60661
 P: 312.496.0000

STRUCTURAL AND MEP/FP ENGINEERING
KJWW ENGINEERING CONSULTANTS
 1100 WARRENVILLE RD., SUITE 400W
 NAPERVILLE, IL 60563
 P: 630.527.2320

FOOD SERVICE CONSULTANT
CINI LITTLE INTERNATIONAL, INC.
 200 E. HOWARD AVE., SUITE 212
 DES PLAINES, IL 60018
 P: 847.298.0088

JOLIET JUNIOR COLLEGE
ROMEONVILLE CAMPUS EXPANSION
 1125 135th ST. ROMEONVILLE, IL 60446
 DKA PROJECT NO: 14-005

KEY PLAN:

SHEET STATUS: 9/21/15
ISSUED FOR CONSTRUCTION

NO.	DESCRIPTION:	DATE:

SHEET TITLE:
TECHNOLOGY EQUIPMENT SCHEDULE

KJWW ENGINEERING CONSULTANTS
 1100 WARRENVILLE ROAD, SUITE 400W
 NAPERVILLE, ILLINOIS 60563
 630.527.2320 FAX: 630.627.2321
 WWW.KJWW.COM
 PROJECT # 14-005.00
 Block Design Firm Registration #14-005-0073

KJWW ENGINEERING RESERVES PROPRIETARY RIGHTS, INCLUDING COPYRIGHTS, TO THIS DRAWING AND THE DATA HEREON. THIS DRAWING AND THE DATA HEREON ARE THE EXCLUSIVE PROPERTY OF KJWW ENGINEERING AND SHALL NOT BE USED, REPRODUCED FOR ANY OTHER PROJECT WITHOUT THE EXPRESS WRITTEN APPROVAL AND PARTICIPATION OF KJWW ENGINEERING. © 2015 KJWW, P.C.

REFERENCE SCALE IN INCHES
 0 1 2 3

SHEET NUMBER:
T6.00

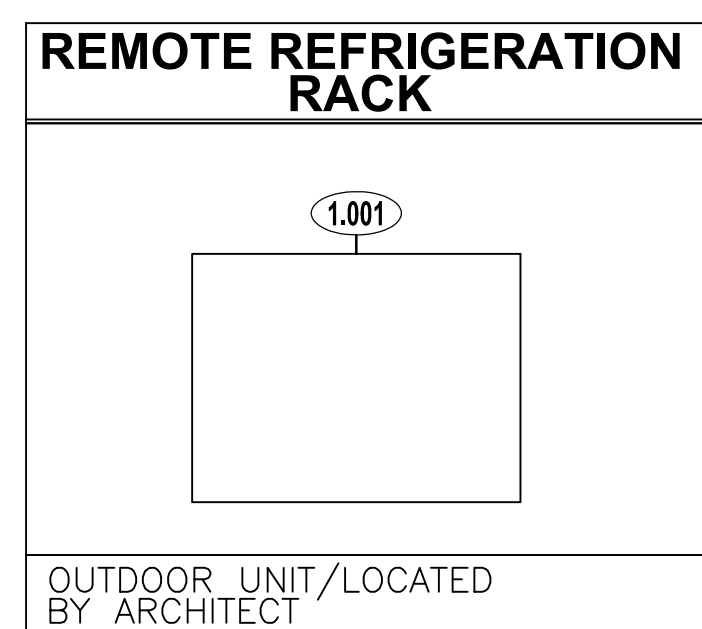
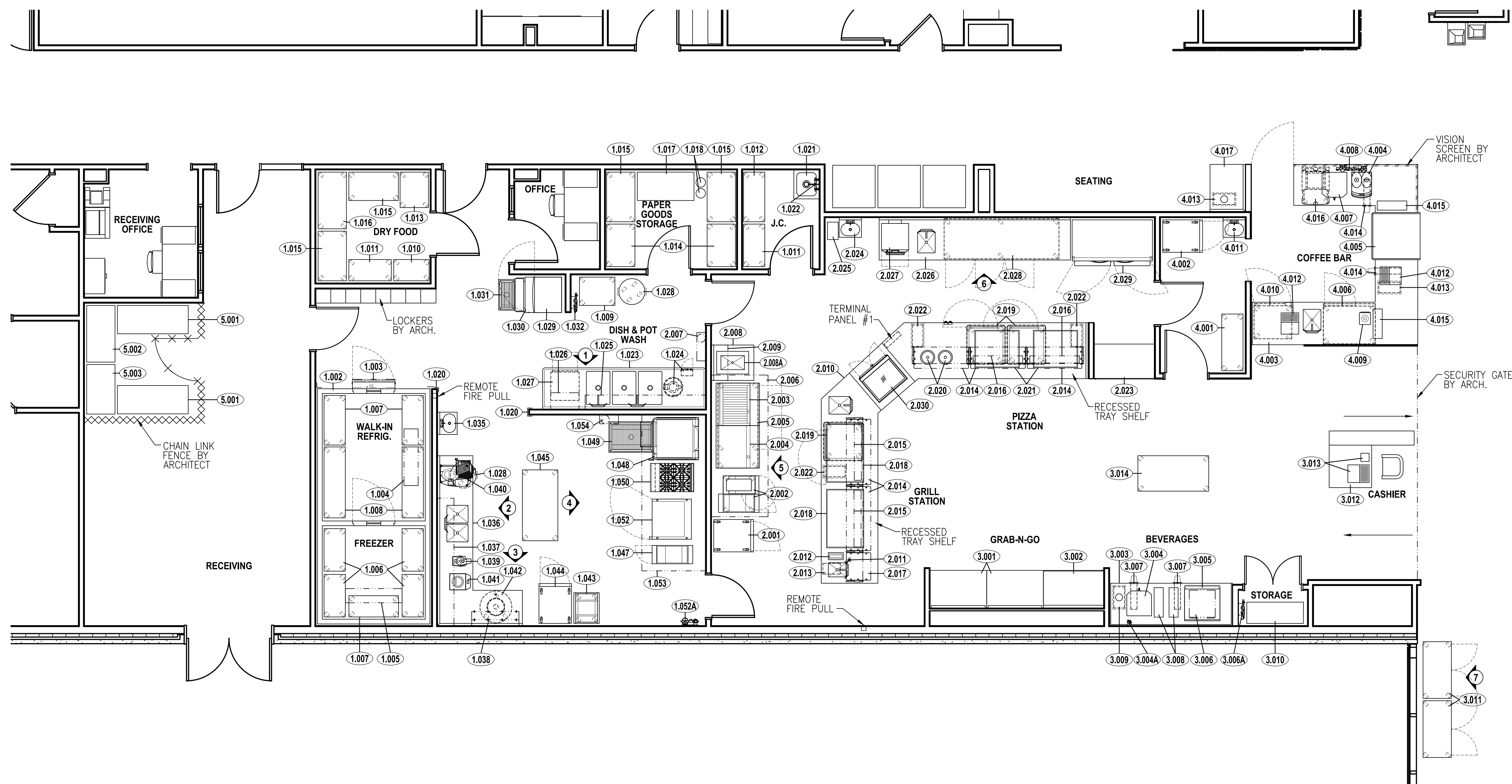


ARCHITECT OF RECORD
 DEMONICA KEMPER ARCHITECTS
 125 N. HALSTED STREET, SUITE 301
 CHICAGO, IL 60661
 P: 312.456.0000

STRUCTURAL AND MEP/FP ENGINEERING
 KJWW ENGINEERING CONSULTANTS
 1100 WARRENVILLE RD, SUITE
 400W NAPERVILLE, IL 60563
 P: 630.527.2320

FOOD SERVICE CONSULTANT
 GINI LITTLE INTERNATIONAL, INC.
 200 E. HOWARD AVE, SUITE 212
 DES PLAINES, IL 60018
 P: 847.298.0088

JOLIET JUNIOR COLLEGE
ROMEIOVILLE CAMPUS EXPANSION
 1125 135th ST. ROMEIOVILLE, IL 60446
 DKA PROJECT NO: 14-005



SCHEDULE OF EQUIPMENT				SCHEDULE OF EQUIPMENT				SCHEDULE OF EQUIPMENT				SCHEDULE OF EQUIPMENT			
ITEM NO.	QTY	DESCRIPTION	REMARKS	ITEM NO.	QTY	DESCRIPTION	REMARKS	ITEM NO.	QTY	DESCRIPTION	REMARKS	ITEM NO.	QTY	DESCRIPTION	REMARKS
1.001	1	Remote Refrigeration Rack	Air cooled / Outdoor Unit	1.036	1	Worktable with Sinks		2.012	1	Countertop Mounted Paper Towel Dispenser		3.010	1	Wire Shelving Unit	
1.002	1	Walk-In Box		1.037	1	Wall Shelf		2.013	1	Garbage Can		3.011	2	Mobile Condiment Counters	NIKEC - By Millwork Trades
1.003	1	Air Curtain		1.038	1	Pot Rack		2.014	5	Sneeze Guard, Single Full-Service, Stationary	w/ Lights	3.012	1	Cashier's Counter	NIKEC - By Owner
1.004	1	Evaporator Coil +35 Degrees	Remote Refrigeration	1.039	1	Food Processor		2.015	2	Heat Lamp	Mounted on Food Shields	3.013	1	POS Unit & Scale	NIKEC - By Millwork Trades
1.005	1	Evaporator Coil -10 Degrees	Remote Refrigeration	1.040	1	Meat Slicer		2.016	2	Heat Lamp	Mounted On Food Shields	4.001	1	Plastic Shelving Unit	
1.006	4	Plastic Shelving Unit		1.041	1	Induction Range		2.017	1	Sneeze Guard, Single Full-Service, Stationary		4.002	1	Reach-in Refrigerator	
1.007	3	Plastic Shelving Unit		1.042	1	Vegetable Dryer		2.018	2	Heated Shelf Food Warmer		4.003	1	Cafe Front Counter	
1.008	2	Plastic Shelving Unit		1.043	1	Pan Rack, Bun		2.019	3	Heated Cabinet, Mobile		4.004	1	Espresso Cappuccino Machine	
1.009	1	Plastic Shelving Unit		1.044	1	Reach-In Refrigerator		2.020	2	Drop-In Hot Well	Auto-Fill Model	4.005	1	Service/Self-Service Combo Merchandiser	Remote Refrigeration
1.010	1	Wire Shelving Unit		1.045	1	Mobile Worktable		2.021	2	Heated Shelf Food Warmer		4.006	1	Reach-in Undercounter Refrigerator	
1.011	2	Wire Shelving Unit		1.046	1	Open Number		2.022	3	Garbage Can		4.007	1	Coffee Maker	NIKEC - By Vendor/Supplier
1.012	1	Wire Shelving Unit		1.047	1	Fryer		2.023	1	Refrigerated Merchandiser		4.008	1	Water Filter Assembly	Provides interconnected filtered water supply to items #4.004 & 4.007
1.013	1	Wire Shelving Unit		1.048	1	Tilting Skillet, Electric		2.024	1	Hand Sink		4.009	1	Bar Blender	
1.014	2	Wire Shelving Unit		1.049	1	Floor Trough		2.025	1	Garbage Can		4.010	1	Reach-in Undercounter Freezer	
1.015	4	Wire Shelving Unit		1.050	1	HD Range, 24", 4 Open Burners		2.026	1	Back Counter with Sink		4.011	1	Hand Sink	
1.016	1	Wire Shelving Unit		1.051	1	Open Number		2.027	1	Microwave Convection Oven		4.012	2	POS Unit	NIKEC - By Owner
1.017	1	Bag & Box Soda System	NIKEC - By Vendor/Supplier	1.052	2	Combi Oven	Double-Stacked Units	2.028	1	Reach-in Undercounter Refrigerator		4.013	1	Garbage Can	
1.018	2	CO2 Tanks	NIKEC - By Vendor/Supplier	1.052A	1	Water Filter Assembly	Provides interconnected filtered water supply to items #1.052	2.029	1	Roll-in Refrigerator		4.014	6	Disposable Cup Dispenser	
1.019	1	Open Number		1.053	1	Exhaust Hood		2.030	1	Drop-in Refrigerated Merchandiser	Remote Refrigeration	4.015	2	Lid Dispenser	
1.020	3	Corner Guards		1.054	1	Fire Suppression System		2.031	1	Open Number		4.016	1	Mobile Ice Bin	
1.021	1	Mop Sink		1.055	1	Open Number		2.032	1	Open Number		4.017	1	Condiment Counter	NIKEC - By Millwork Trades
1.022	1	Janitor's Sink Faucet & Air Gap		1.056	1	Open Number		3.001	2	Open Merchandiser	Remote Refrigeration	5.001	1	Wire Shelving Unit	
1.023	1	Three (3) Compartment Sink		2.001	1	Reach-In Freezer		3.002	1	Refrigerated Merchandiser		5.002	1	Wire Shelving Unit	
1.024	1	Disposer	Connect unit to drain board in item # 1.023	2.002	1	Fryer		3.003	1	Beverage Counter		5.003	1	Wire Shelving Unit	
1.025	1	Pot & Utensil Rack		2.003	1	HD Range, 36", Charbroiler		3.004	1	Coffee Maker	NIKEC - By Vendor/Supplier				
1.026	1	Rack Overshelf, Wall-Mounted		2.004	1	HD Range, 36", Griddle		3.005	1	Soda Fountain	NIKEC - By Vendor/Supplier				
1.027	1	Dishwasher, Undercounter		2.005	1	Equipment Stand, Refrigerated Base		3.006	1	Nugget Ice Maker	NIKEC - By Supplier/Vendor; Air Cooled				
1.028	2	Garbage Can		2.006	1	Exhaust Hood		3.006A	1	Water Filter Assembly	Provides interconnected filtered water supply to item #3.006				
1.029	1	Ice Cuber	Air Cooled	2.007	1	Fire Suppression System		3.007	6	Disposable Cup Dispenser					
1.030	1	Ice Bin for Ice Machines		2.008	1	Back Counter Cold Food Well Unit, Drop-In, Refrigerated		3.008	2	Lid Dispenser					
1.031	1	Floor Trough		2.008A	1	Open Number		3.009	1	Garbage Can					
1.032	1	Water Filter Assembly	Provides interconnected filtered water supply to item # 1.029	2.009	1	Wall Shelf									
1.033	1	Open Number		2.010	1	Servery Front Counter									
1.034	1	Open Number		2.011	1	Panel-Mounted Soap Dispenser									
1.035	1	Hand Sink													
NIKEC - NOT IN KITCHEN EQUIPMENT CONTRACT				NIKEC - NOT IN KITCHEN EQUIPMENT CONTRACT				NIKEC - NOT IN KITCHEN EQUIPMENT CONTRACT				NIKEC - NOT IN KITCHEN EQUIPMENT CONTRACT			

KEY PLAN:

SHEET STATUS: 9/21/15

ISSUE FOR CONSTRUCTION

NO. DESCRIPTION DATE:

SHEET TITLE:

**FOODSERVICE
 EQUIPMENT PLAN &
 SCHEDULE**

SHEET NUMBER:

QF101

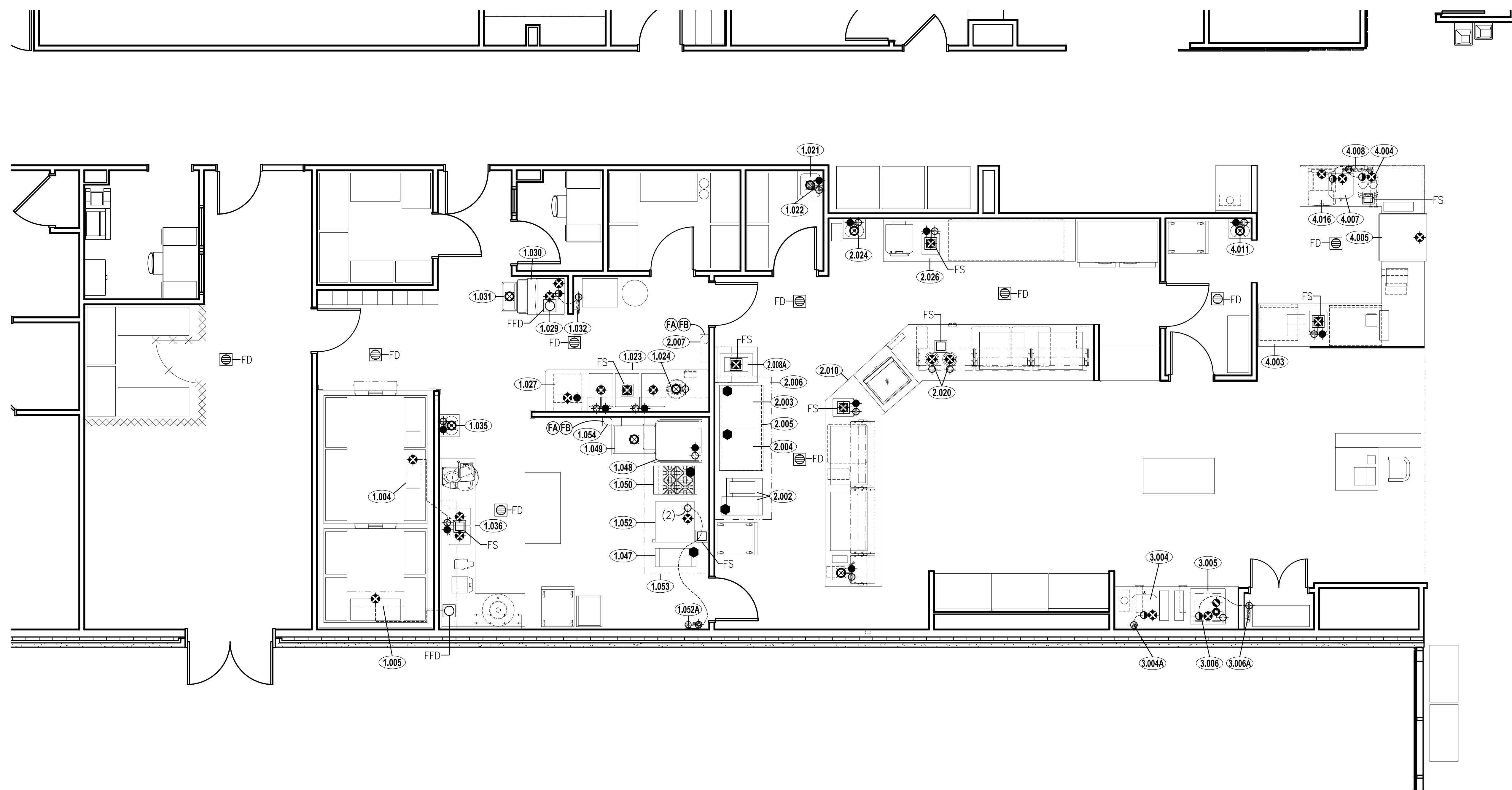


ARCHITECT OF RECORD
 DEMONICA KEMPER ARCHITECTS
 125 N. HALSTED STREET, SUITE 301
 CHICAGO, IL 60661
 P: 312.496.0000

STRUCTURAL AND MEP/FP ENGINEERING
 KJWW ENGINEERING CONSULTANTS
 1100 WARRENVILLE RD. SUITE
 400W NAPERVILLE, IL 60563
 P: 630.527.2320

FOOD SERVICE CONSULTANT
 CINI LITTLE INTERNATIONAL, INC.
 200 E. HOWARD AVE. SUITE 212
 DES PLAINES, IL 60018
 P: 847.298.0088

**JOLIET JUNIOR COLLEGE
 ROMEOVILLE CAMPUS EXPANSION**
 1125 135th ST. ROMEOVILLE, IL 60446
 DKA PROJECT NO: 14-005



MECHANICAL NOTES

WORK DESCRIBED IN THESE NOTES IS TO BE PERFORMED UNDER DIVISION 22 (PLUMBING) AND DIVISION 23 (HVAC).

- THIS DRAWING LOCATES FINAL MECHANICAL POINTS OF CONNECTION FOR EACH FOODSERVICE EQUIPMENT ITEM. IT DOES NOT INDICATE UTILITY ROUGH-IN LOCATIONS AND MUST NOT BE USED FOR THAT PURPOSE. LOCATIONS, SIZES, AND HEIGHTS ABOVE THE FLOOR ARE APPROXIMATELY AS THEY WILL OCCUR ON EQUIPMENT ITEMS SHOWN. THE DESIGN OF SYSTEMS TO ACCOMMODATE THESE REQUIREMENTS IS TO BE IN ACCORDANCE WITH ALL APPLICABLE CODES AND MEET WITH THE APPROVAL OF ALL GOVERNING AUTHORITIES.
- UTILITIES SHOWN ARE FOR FOODSERVICE EQUIPMENT ITEMS ONLY. THIS DRAWING MUST BE USED IN CONJUNCTION WITH THE MECHANICAL DRAWINGS FOR OTHER REQUIRED UTILITIES.
- CONCEAL ALL UTILITIES (GAS AND WATER LINES) IN WALLS AND STUB-OUT OF WALLS AS REQUIRED FOR CONNECTIONS. DO NOT RUN EXPOSED ON THE FACE OF THE WALL. DO NOT STUB-OUT OF THE FLOOR UNLESS IT IS BELOW FREESTANDING EQUIPMENT.
- EXPOSED PIPING AND FITTINGS ABOVE WORK SURFACES TO BE STAINLESS STEEL. EXPOSED PIPING AND FITTINGS BELOW WORK SURFACES TO BE SILVER PAINTED.
- ALL HORIZONTAL PIPING RUNS EXTENDED TO AND CONNECTED TO EQUIPMENT ITEMS SHALL BE AT THE HIGHEST PRACTICAL ELEVATION, BUT NOT LESS THAN 6" (155mm) ABOVE THE FLOOR SO AS TO PROVIDE CLEARANCE FOR CLEANING.
- PROVIDE WATER AND GREASE-PROOF EXHAUST DUCTS FROM VENT CONNECTIONS OF DISHWASHING MACHINES, EXHAUST HOODS, AND VENTILATORS.
- PROVIDE FIRE EXTINGUISHING SYSTEM IN ALL GREASE EXHAUST DUCTS AS REQUIRED. NOT USED.
- A MECHANICAL GAS SHUT OFF VALVE OR ELECTRICAL SOLENOID SHUT OFF VALVE WITH MOMENTARY POWER INTERRUPTION DEVICE SHALL BE PROVIDED LOOSE BY KEC FOR FIELD INSTALLATION IN SUPPLY LINE FOR GAS FUELED EQUIPMENT ITEMS.
- PROVIDE GREASE TRAPS WITH TOP FLUSH WITH TOP OF FINISHED FLOOR UNLESS PROVIDED OUTSIDE FOODSERVICE AREA. GREASE TRAPS SHALL NOT BE LOCATED BENEATH ANY FOODSERVICE EQUIPMENT ITEM UNLESS THERE IS SUFFICIENT SPACE TO REMOVE COVER FOR SERVICE WITHOUT INTERFERING WITH THE OPERATION OF EQUIPMENT ITEMS.
- PROVIDE EACH AIR-COOLED REFRIGERATION SYSTEM WITH A MINIMUM AIR SUPPLY OF 1,000 CFM PER HORSE POWER AND ADEQUATE EXHAUST TO KEEP AREA ADJACENT TO COMPRESSOR AND/OR COMPRESSOR ROOM TEMPERATURE BELOW 90°F (32°C).
- PROVIDE EACH WATER COOLED REFRIGERATION SYSTEM WITH A MINIMUM WATER SUPPLY OF 1.5GPM PER HORSEPOWER AT 70°F (21°C) AND A MINIMUM AIR SUPPLY OF 200 CFM PER HORSEPOWER WITH ADEQUATE EXHAUST TO MAINTAIN AREA ADJACENT TO COMPRESSOR AND/OR COMPRESSOR ROOM TEMPERATURE BELOW 90°F (32°C).
- SEE SPECIAL CONDITIONS PLAN OF EACH AREA FOR SIZE AND LOCATION OF CONDUIT FOR BEVERAGE SYSTEM LINES. CONDUITS FOR BEVERAGE SYSTEMS SHALL BE WATERTIGHT AND HAVE 24" (600mm) MINIMUM RADIUS BENDS AND PULL BOXES EVERY 50' (15M).
- PROVIDE LINES FOR COMPRESSED AIR AND INTERCONNECT EACH ITEM UTILIZING COMPRESSED AIR TO THE APPROPRIATE AIR COMPRESSOR.
- ALL INTERCONNECTED WATER LINE (IWL) RUNS ARE FOR DESIGN INTENT ONLY AND DO NOT REPRESENT ACTUAL FIELD RUNS. REFER TO UTILITY LOAD SCHEDULE SHEETS FOR INFORMATION ON POINT OF CONNECTIVITY.
- VENTILATORS SHALL INCLUDE THERMOSTAT(S) INSTALLED IN THE CANOPY TO AUTOMATICALLY START THE EXHAUST FAN(S) WHEN COOKING OCCURS TO MEET IMC 2006 SECTION 507.2.1.1.

MECHANICAL ABBREVIATIONS AND SYMBOLS

GAS	G
BRITISH THERMAL UNIT (000'S)	MBTU
HOT WATER	HW
COLD WATER	CW
INTERCONNECTED WATER LINE	IWL
COOLING WATER	CTW
COOLING WATER RETURN	CTWR
WASTE	W
INDIRECT WASTE	IW
FLOOR DRAIN	FD
FUNNEL FLOOR DRAIN	FFD
FLOOR SINK	FS
STEAM SUPPLY	SS
CONDENSATE RETURN	CR
GREASE TRAP	GT
EXHAUST DUCT	
SUPPLY DUCT	
STATIC PRESSURE, WATER GAUGE	SPWG
ABOVE FINISHED FLOOR	AFF
DOWN FROM ABOVE	DFA
AIR GAP DRAIN	AG
COMPRESSED AIR	AIR
REFRIGERATION LINE	REF

FIRE EXTINGUISHING SYSTEM NOTES

- FA** WET CHEMICAL PIPING TO CONNECTION AT VENTILATOR BY KITCHEN EQUIPMENT TRADE
- FB** IF REQUIRED BY LOCAL MECHANICAL JURISDICTIONS, MECHANICAL TRADE TO PROVIDE BY-PASS AT GAS SOLENOID VALVE

MECHANICAL REFRIGERATION NOTES

- NOTE A:** REFRIGERATION LINES TO CONDENSING UNIT. HORIZONTAL RUNS OF SUCTION LINE PITCHED TOWARD COMPRESSOR- MIN. 1/2" (15mm) PER 10'-0" (3050mm)
- NOTE B:** LIQUID LINE SOLENOID VALVE
- NOTE C:** REFRIGERATION LINES TO EVAPORATOR UNIT
- NOTE D:** EVAPORATOR DRAIN LINE TO BE TYPE "M" COPPER, PITCHED 1/2" (15mm) PER FOOT AND CONTAIN A P-TRAP AS WELL AS AN AIR GAP BETWEEN DRAIN LINE AND DRAIN

NOTE:
 REFER TO SHEET QF105 &
 QF106 FOR MECHANICAL
 UTILITY LOAD SCHEDULE

NOTE: THIS DRAWING IS FOR INFORMATION ONLY.

GENERAL CONTRACTOR SHALL COORDINATE WITH THE KITCHEN EQUIPMENT SUB-CONTRACTOR AND RELATED MECHANICAL, ELECTRICAL AND PLUMBING SUB-CONTRACTORS TO ESTABLISH FINAL SPOT CONNECTIONS LOCATIONS AND CONFIGURATIONS AS REQUIRED. THIS DRAWING SHALL NOT BE USED TO LOCATE ANY UTILITY CONNECTIONS IN THE FIELD OR TO LOCATE ANY ROUGH-IN, PENETRATION, OR OTHER REQUIREMENTS.
 CINI • LITTLE INTERNATIONAL, INC.

KEY PLAN:

SHEET STATUS: 9/21/15

ISSUE FOR CONSTRUCTION

NO.	DESCRIPTION:	DATE:

SHEET TITLE:

**FOODSERVICE
 MECHANICAL SPOT
 CONNECTION PLAN**

SHEET NUMBER:

QF102

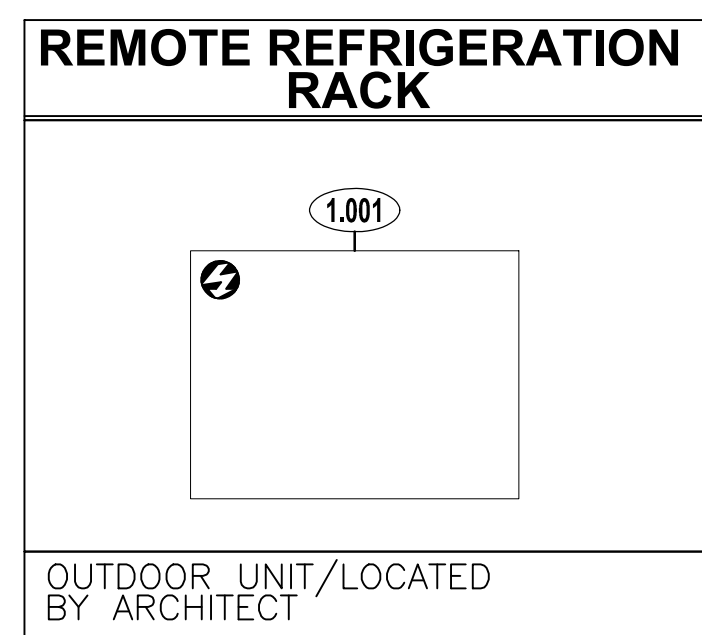
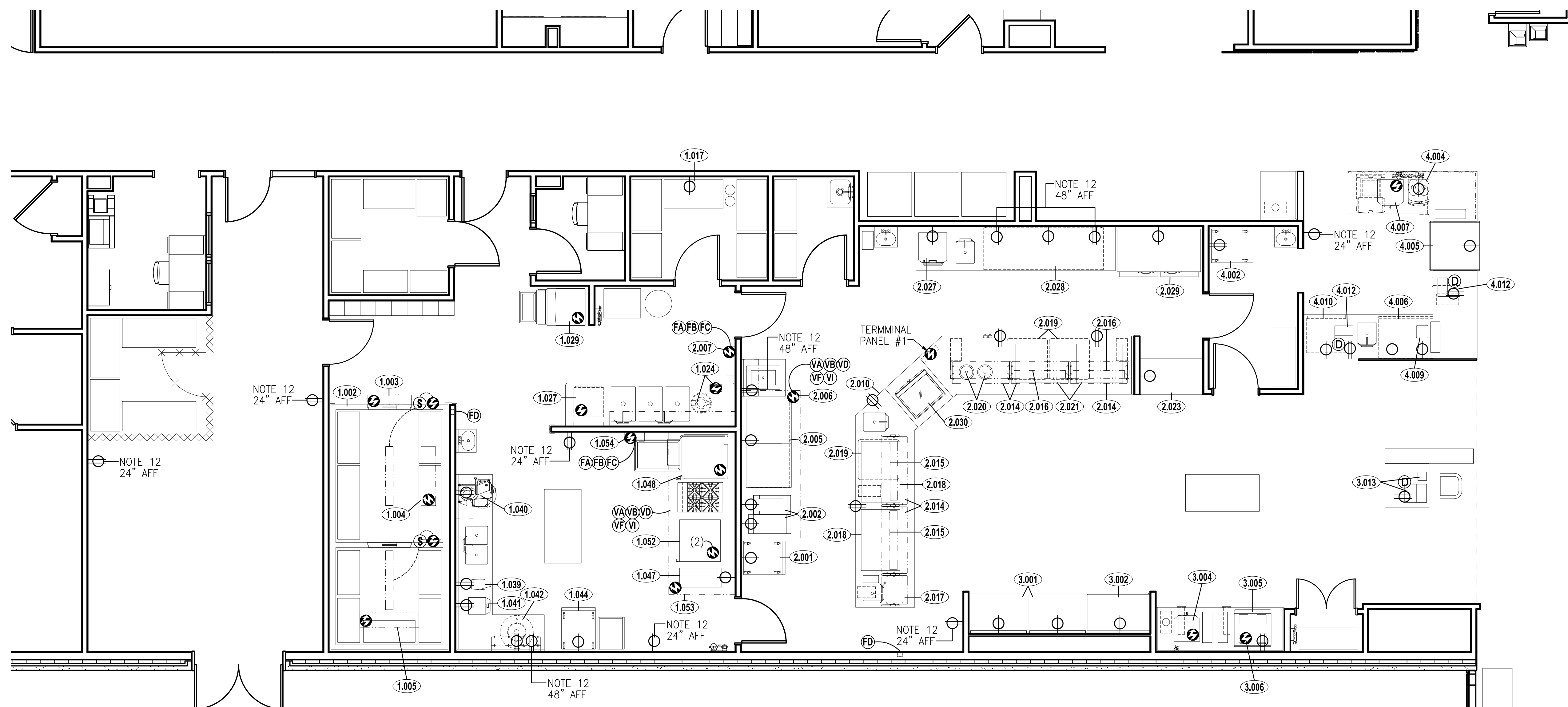


ARCHITECT OF RECORD
 DEMONICA KEMPER ARCHITECTS
 125 N. HALSTED STREET, SUITE 301
 CHICAGO, IL 60661
 P: 312.456.0000

STRUCTURAL AND MEP/FP ENGINEERING
 KJWW ENGINEERING CONSULTANTS
 1100 WARRENVILLE RD. SUITE
 400W NAPERVILLE, IL 60563
 P: 630.527.2320

FOOD SERVICE CONSULTANT
 CINI LITTLE INTERNATIONAL, INC.
 200 E. HOWARD AVE. SUITE 212
 DES PLAINES, IL 60018
 P: 847.298.0088

**JOLIET JUNIOR COLLEGE
 ROMEOVILLE CAMPUS EXPANSION**
 1125 135th ST. ROMEOVILLE, IL 60446
 DKA PROJECT NO: 14-005



ELECTRICAL NOTES

WORK DESCRIBED IN THESE NOTES IS TO BE PERFORMED UNDER DIVISION 26 (ELECTRICAL).

- THIS DRAWING LOCATES FINAL ELECTRICAL POINTS OF CONNECTION FOR EACH FOODSERVICE EQUIPMENT ITEM. IT DOES NOT INDICATE UTILITY ROUGH-IN LOCATIONS AND MUST NOT BE USED FOR THAT PURPOSE. LOCATIONS, SIZES, AND HEIGHTS ABOVE THE FLOOR ARE APPROXIMATELY AS THEY WILL OCCUR ON THE EQUIPMENT ITEMS SHOWN. THE DESIGN OF SYSTEMS TO ACCOMMODATE THESE REQUIREMENTS IS TO BE IN ACCORDANCE WITH ALL APPLICABLE CODES AND MEET WITH THE APPROVAL OF ALL GOVERNING AUTHORITIES.
- UTILITIES SHOWN ARE FOR FOODSERVICE EQUIPMENT ITEMS ONLY. THIS DRAWING MUST BE USED IN CONJUNCTION WITH THE ELECTRICAL DRAWINGS FOR OTHER REQUIRED UTILITIES.
- CONCEAL ALL UTILITIES IN WALLS AND STUB-OUT OF WALLS AS REQUIRED FOR CONNECTIONS. DO NOT RUN EXPOSED ON THE FACE OF THE WALL. DO NOT STUB-OUT OF THE FLOOR UNLESS IT IS BELOW FREESTANDING EQUIPMENT.
- EXPOSED CONDUIT ABOVE WORK SURFACES TO BE STAINLESS STEEL. EXPOSED CONDUIT BELOW WORK SURFACES TO BE SILVER PAINTED.
- POWER TO ALL ELECTRICALLY OPERATED EQUIPMENT UNDER HOODS IS TO COME FROM THE PANEL WHERE THE MAIN BREAKER IS INTERWIRED WITH THE FIRE EXTINGUISHING SYSTEM SO THAT POWER SHUT-OFF IS ACHIEVED UPON EITHER MANUAL OR AUTOMATIC OPERATION OF THE FIRE EXTINGUISHING SYSTEM.
- PROVIDE A FLUSH, EMPTY JUNCTION BOX AT EACH REMOTE FIRE CABLE PULL. PROVIDE CONDUIT CONCEALED IN WALL FROM JUNCTION BOX TO A POINT 6"(155mm) ABOVE FINISHED CEILING.
- PROVIDE CONDUIT AND WIRING BETWEEN THE FUEL LINE SOLENOID SHUT-OFF VALVES, SHUNT TRIP BREAKERS, CONTACTORS, REMOTE NOTIFICATION AND FIRE EXTINGUISHING SYSTEMS.
- PROVIDE CONDUIT AND WIRING BETWEEN ELECTRIC DEFROST UNIT COOLERS/FREEZERS AND CONDENSING UNITS.
- PROVIDE COMPUTER GRADE, CLEAN, ISOLATED GROUND SERVICE FOR POINT-OF-SALE (POS) EQUIPMENT AND/OR ELECTRONIC POS AND/OR CASH REGISTERS AND/OR PRINTERS. PROVIDE EMPTY CONDUIT BETWEEN POS AND/OR CASH REGISTER AND/OR PRINTER LOCATIONS AND CENTRAL OFFICE LOCATION, ETC. VERIFY EXACT LOCATIONS.
- SEE SPECIAL CONDITIONS PLAN OF EACH AREA FOR SIZE AND LOCATION OF CONDUIT FOR BEVERAGE SYSTEM LINES. CONDUITS FOR BEVERAGE SYSTEMS SHALL BE WATERTIGHT AND HAVE 24" (600mm) MINIMUM RADIUS BENDS AND PULL BOXES EVERY 50' (15M).
- A MECHANICAL GAS SHUT OFF VALVE SHALL BE PROVIDED LOOSE BY KEC FOR FIELD INSTALLATION IN SUPPLY LINE FOR GAS FUELED EQUIPMENT ITEMS.
- PROVIDE DUPLEX CONVENIENCE OUTLET (120/1Ø, 20A) AT HEIGHT INDICATED.
- COORDINATE THE INTERWIRE OF ALL SPECIFIED TEMPERATURE ALARM SYSTEMS TO BUILDING SYSTEM.
- VENTILATORS SHALL INCLUDE THERMOSTAT(S) INSTALLED IN THE CANOPY TO AUTOMATICALLY START THE EXHAUST FAN(S) WHEN COOKING OCCURS TO MEET IMC 2006 SECTION 507.2.1.1.
- ELECTRICAL PANELS TO BE LOCATED WITHIN LINE OF SIGHT OF EQUIPMENT SERVED BY PANELS AND NOT FURTHER AWAY FROM EQUIPMENT THAN LOCAL CODE REQUIREMENTS ALLOW.

ELECTRICAL ABBREVIATIONS AND SYMBOLS

SWITCH	SW	Ⓢ
ELECTRICAL CONNECTION	EC	Ⓜ
JUNCTION BOX	JB	Ⓝ
SINGLE RECEPTACLE	SR	Ⓛ
DUPLEX RECEPTACLE	DR	Ⓛ
DATA COMMUNICATIONS	DC	Ⓛ
EMPTY JUNCTION BOX		Ⓝ
AMP	A	
KILOWATT	KW	
HORSEPOWER	HP	
VOLT	V	
PHASE	Ø	
ABOVE FINISHED FLOOR	AFF	
DOWN FROM ABOVE	DFA	

FIRE EXTINGUISHING SYSTEM NOTES

FA	WIRING IN CONDUIT BY ELECTRICAL TRADE BETWEEN RESET RELAY, AUTOMAN RELEASE AND ELECTRICAL GAS SOLENOID SHUT-OFF VALVE
FB	WIRING IN CONDUIT BY ELECTRICAL TRADE TO SHUNT-TRIP BREAKER LOCATED IN POWER PANEL SUPPLYING EQUIPMENT BENEATH VENTILATOR AND/OR EQUIPMENT BENEATH VENTILATOR
FC	WIRING IN CONDUIT BY ELECTRICAL TRADE BETWEEN MICROSWITCH AND BUILDING FIRE ALARM SYSTEM AS REQUIRED
FD	FLUSH-MOUNT OCTAGONAL J-BOX (8B TYPE) MOUNTED AT 48"(1200mm) TO 54"(1350mm) AFF WITH 1/2" (15mm) EMT TO 6"(150mm) ABOVE CEILING BY ELECTRICAL TRADE FOR REMOTE CABLE PULL (HEIGHT VARIES PER LOCAL CODES)
FE	NOT USED
FF	NOT USED

ELECTRICAL REFRIGERATION NOTES

- NOTE A:** POWER AND CONTROL WIRING BETWEEN COMPRESSOR AND JB ON TOP OF WALK-IN BY ELECTRICAL TRADE (FOR FREEZER ONLY)
- NOTE B:** CONCEALED WIRING IN CONDUIT TO JB AT EVAPORATOR UNIT BY ELECTRICAL TRADE

VENTILATOR NOTES

VA	WIRING IN CONDUIT BY ELECTRICAL TRADE BETWEEN VENTILATOR CONTROL AND MICRO SWITCH IN FIRE SUPPRESSION SYSTEM
VB	WIRING IN CONDUIT BY ELECTRICAL TRADE BETWEEN VENTILATOR CONTROL (FAN SWITCH, PANEL OR VARIABLE SPEED FAN CONTROL) AND EXHAUST/SUPPLY FAN MAGNETIC STARTER/MOTOR
VC	NOT USED
VD	WIRING IN CONDUIT BY ELECTRICAL TRADE BETWEEN VENTILATOR CONTROL (FAN SWITCH, PANEL AND JB ON TOP OF VENTILATOR FOR DAMPER CONTROL(S), AUTOSTART THERMOSTATS, UV
VE	NOT USED
VF	WIRING IN CONDUIT BY ELECTRICAL TRADE BETWEEN WALL SWITCH AND JB ON TOP OF VENTILATOR FOR LIGHTS AND/OR FAN
VG	NOT USED
VH	NOT USED
VI	WIRING IN CONDUIT BY ELECTRICAL TRADE BETWEEN VENTILATOR CONTROL AND BUILDING MANAGEMENT SYSTEM

TERMINAL PANEL INTERCONNECTION GUIDE

ITEMS LISTED ARE TO BE PRE-WIRED IN THE FABRICATION SHOP PER CODE REQUIREMENTS TO AN MLO TYPE PANEL MOUNTED IN THE COUNTER WITH A MINIMUM OF ONE EXTRA BREAKER FOR FUTURE EQUIPMENT

PANEL 1: ITEM NO. 2.010, 2.014, 2.015, 2.016, 2.017, 2.018, 2.019, 2.020, 2.021, & 2.030 SEE SHEET QF105 & QF106 FOR INDIVIDUAL LOAD CONNECTIONS

NOTE:
 REFER TO SHEET QF105 &
 QF106 FOR ELECTRICAL
 UTILITY LOAD SCHEDULE

NOTE: THIS DRAWING IS FOR INFORMATION ONLY.

GENERAL CONTRACTOR SHALL COORDINATE WITH THE KITCHEN EQUIPMENT SUB-CONTRACTOR AND RELATED MECHANICAL, ELECTRICAL AND PLUMBING SUB-CONTRACTORS TO ESTABLISH FINAL SPOT CONNECTIONS LOCATIONS AND CONFIGURATIONS AS REQUIRED. THIS DRAWING SHALL NOT BE USED TO LOCATE ANY UTILITY CONNECTIONS IN THE FIELD OR TO LOCATE ANY ROUGH-IN, PENETRATION, OR OTHER REQUIREMENTS.

CINI • LITTLE INTERNATIONAL, INC.

AUG 10, 2015 12:20 PM CADTEAM C:\USERS\CADTEAM\APPDATA\LOCAL\TEMP\AC\PUBLISH_3152\15-0193-0_0F101.DWG

KEY PLAN:

SHEET STATUS: 9/21/15

ISSUE FOR CONSTRUCTION

NO.	DESCRIPTION:	DATE:

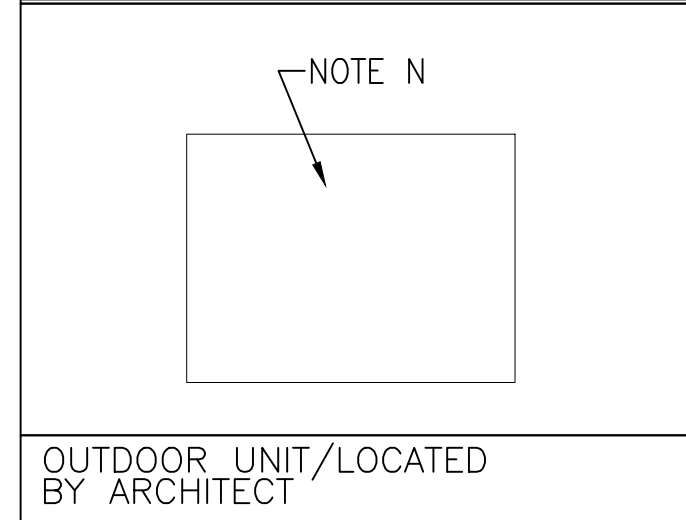
SHEET TITLE:

**FOODSERVICE
 ELECTRICAL SPOT
 CONNECTION PLAN**

SHEET NUMBER:

QF103

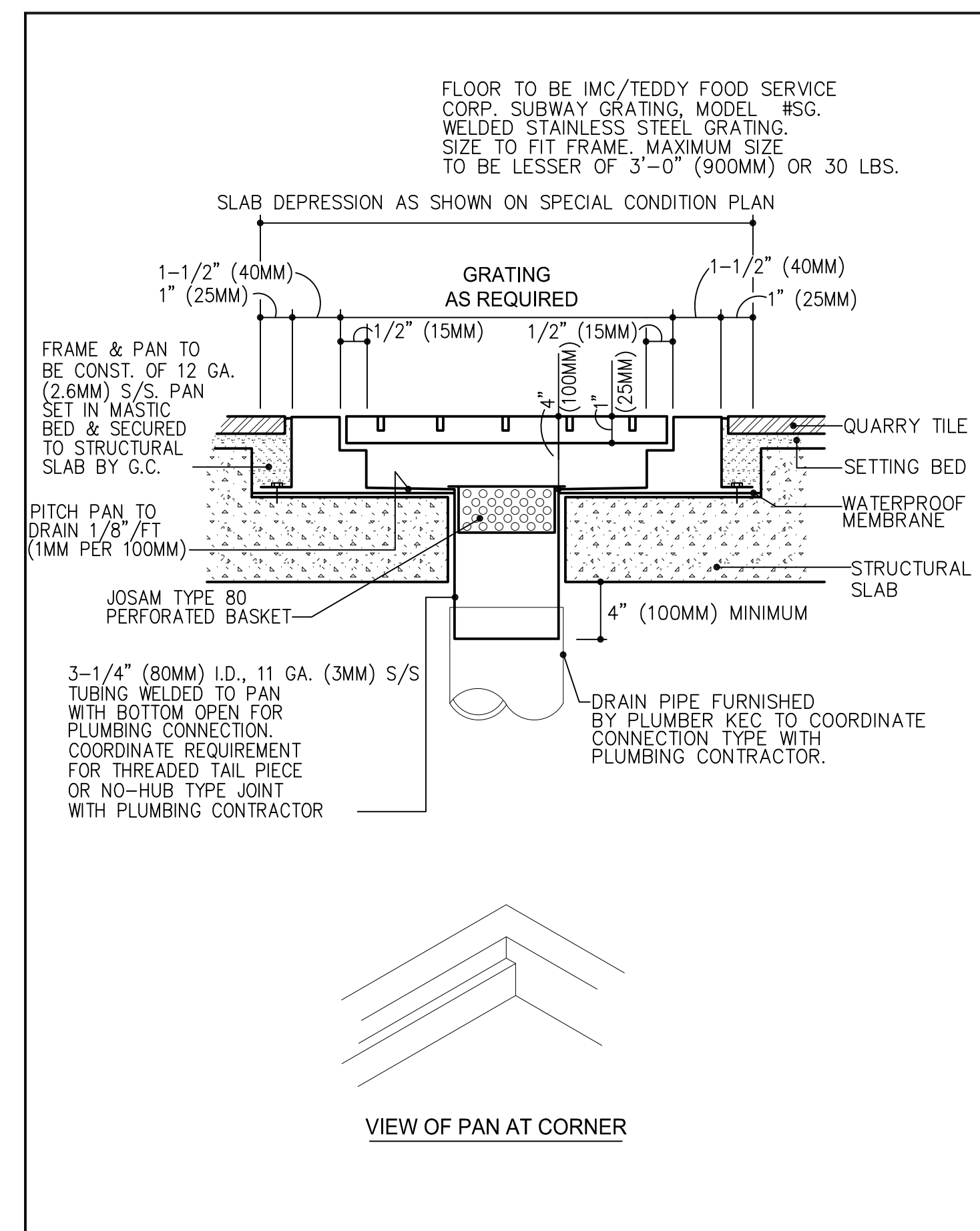
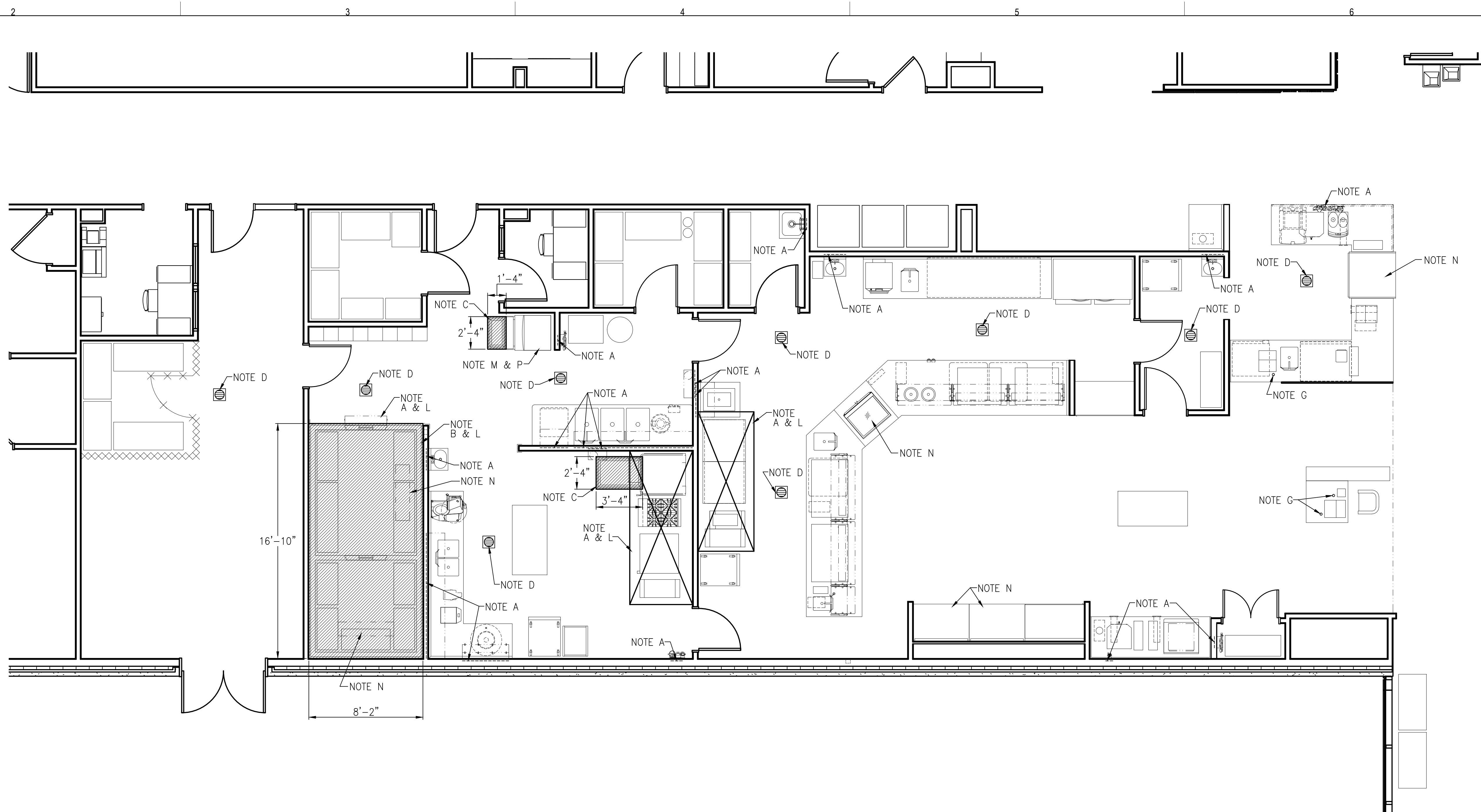
REMOTE REFRIGERATION RACK



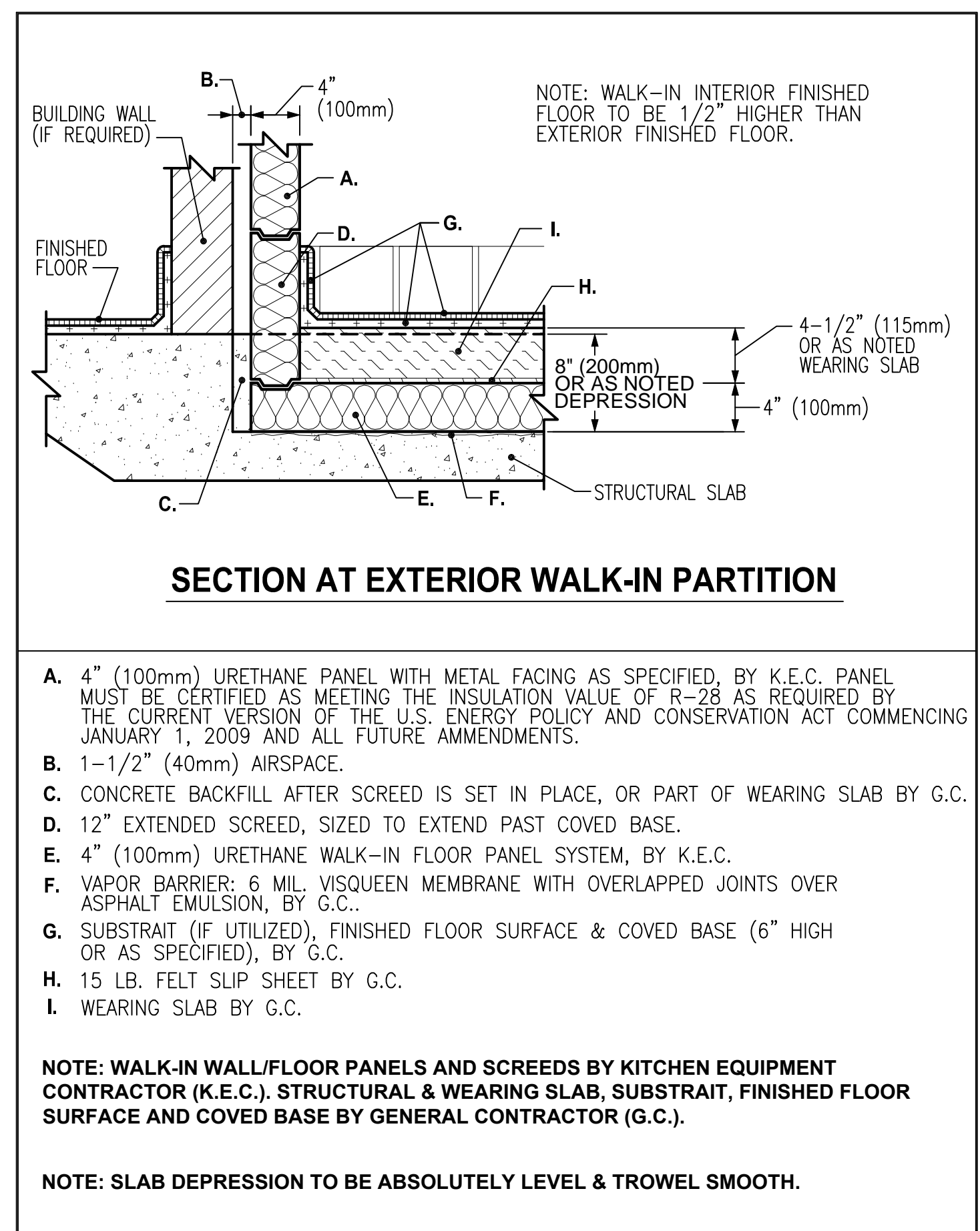
OUTDOOR UNIT/LOCATED BY ARCHITECT

SPECIAL CONDITIONS NOTES

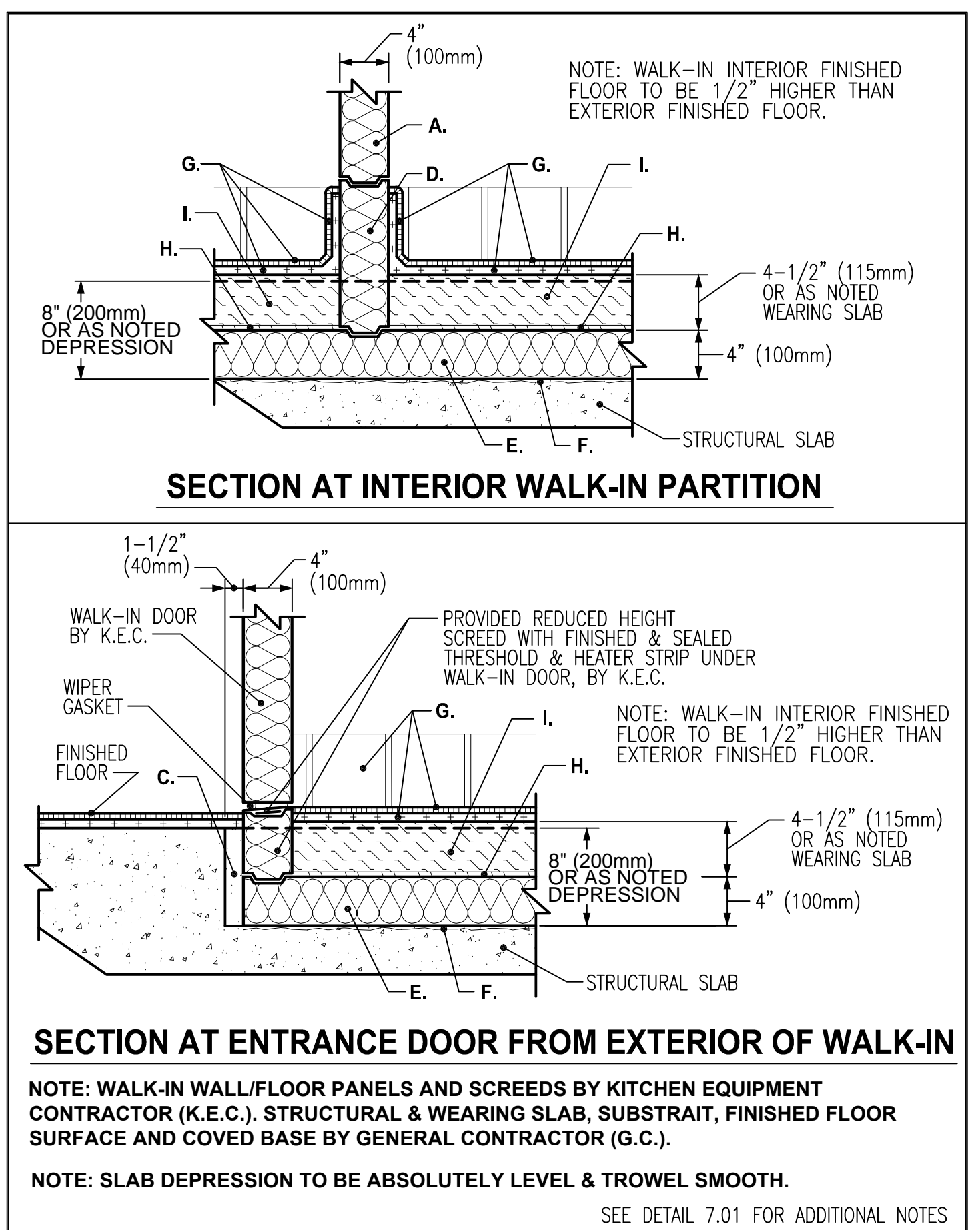
- NOTE A:** CONTRACTOR SHALL ENSURE ALL WALLS AND/OR CEILINGS ARE PROPERLY REINFORCED TO SUPPORT ALL WALL AND/OR CEILING SUPPORTED EQUIPMENT AS PER DETAIL 7.07.
- NOTE B:** CONTRACTOR SHALL PROVIDE 8" (200mm) DEEP +/- DEPRESSION IN ROUGH SLAB TO RECEIVE WALK-IN BOX FLOOR. SEE DETAIL 7.01. DEPRESSION TO BE LEVEL AND SMOOTH.
- NOTE C:** CONTRACTOR SHALL PROVIDE 4" (100mm) DEEP +/- DEPRESSION IN ROUGH SLAB TO RECEIVE S/S FLOOR TROUGH AND GRATING. SEE DETAIL 6.03. DEPRESSION TO BE LEVEL AND SMOOTH.
- NOTE D:** CONTRACTOR SHALL PITCH FLOOR TO AREA FLOOR DRAINS PER ARCHITECTS DRAWINGS.
- NOTE E:** NOT USED.
- NOTE F:** CONTRACTOR SHALL PROVIDE 4" (100mm), 6" (150mm) OR 8" (200mm) DIA. CONDUIT (PVC, EMT OR OTHER MATERIAL REQUIRED BY CODE) TO RUN BEVERAGE LINES BY KEC OR BEVERAGE VENDOR. ALL BENDS TO BE EASY SWEEPS (24" (600mm) FOR 4" OR 6" DIA. OR 30" (750mm) FOR 8" DIA. RADIUS MIN.) CONTRACTOR TO RUN CONDUIT FROM BEVERAGE SYSTEM(S) TO POINT(S) SHOWN FOR BEVERAGE EQUIPMENT. RUN CONDUIT ON UNDERSIDE OF SLAB OR ABOVE FINISHED CEILING AS INDICATED AND PROVIDE SUPPORT AS REQUIRED. SEE DETAIL 6.25.
- NOTE G:** CONTRACTOR SHALL PROVIDE 1" (25mm) DIA. CONDUIT (PVC, EMT OR OTHER MATERIAL REQUIRED BY CODE) FOR RUN OF COMPUTER GRADE WIRING. ALL BENDS TO BE EASY SWEEPS (18" (450mm) RADIUS MIN.) CONTRACTOR TO RUN FROM POS EQUIPMENT TO POINT(S) SHOWN.
- NOTE H:** NOT USED.
- NOTE I:** CONTRACTOR SHALL PROVIDE REMOVABLE LOUVERED PANELS FOR VENTILATION OF EQUIPMENT.
- NOTE J:** NOT USED.
- NOTE K:** NOT USED.
- NOTE L:** CONTRACTOR SHALL VERIFY INSTALLATION HEIGHT OF FINISHED CEILING WITH FOODSERVICE EQUIPMENT BELOW AS SHOWN.
- NOTE M:** CONTRACTOR SHALL ENSURE STRUCTURAL FLOOR IS ADEQUATE TO SUPPORT HEAVY EQUIPMENT SUCH AS PIZZA OVEN, ICE MAKER AND REMOTE REF. SYSTEM.
- NOTE N:** REFRIGERATION LINES TO/FROM PACKAGE REFRIGERATION SYSTEM. KEC TO COORDINATE PENETRATIONS AND LINE RUNS WITH GENERAL CONTRACTOR.
- NOTE O:** KEC TO VERIFY ALL POUR PATHS BETWEEN EQUIPMENT AND FLOOR TROUGHS TO ENSURE FULL ACCEPTANCE OF PRODUCT FROM EQUIPMENT.
- NOTE P:** KEC TO COORDINATE ALL EQUIPMENT LEGS WITH FLOOR DRAIN AND FLOOR TROUGH LOCATIONS.



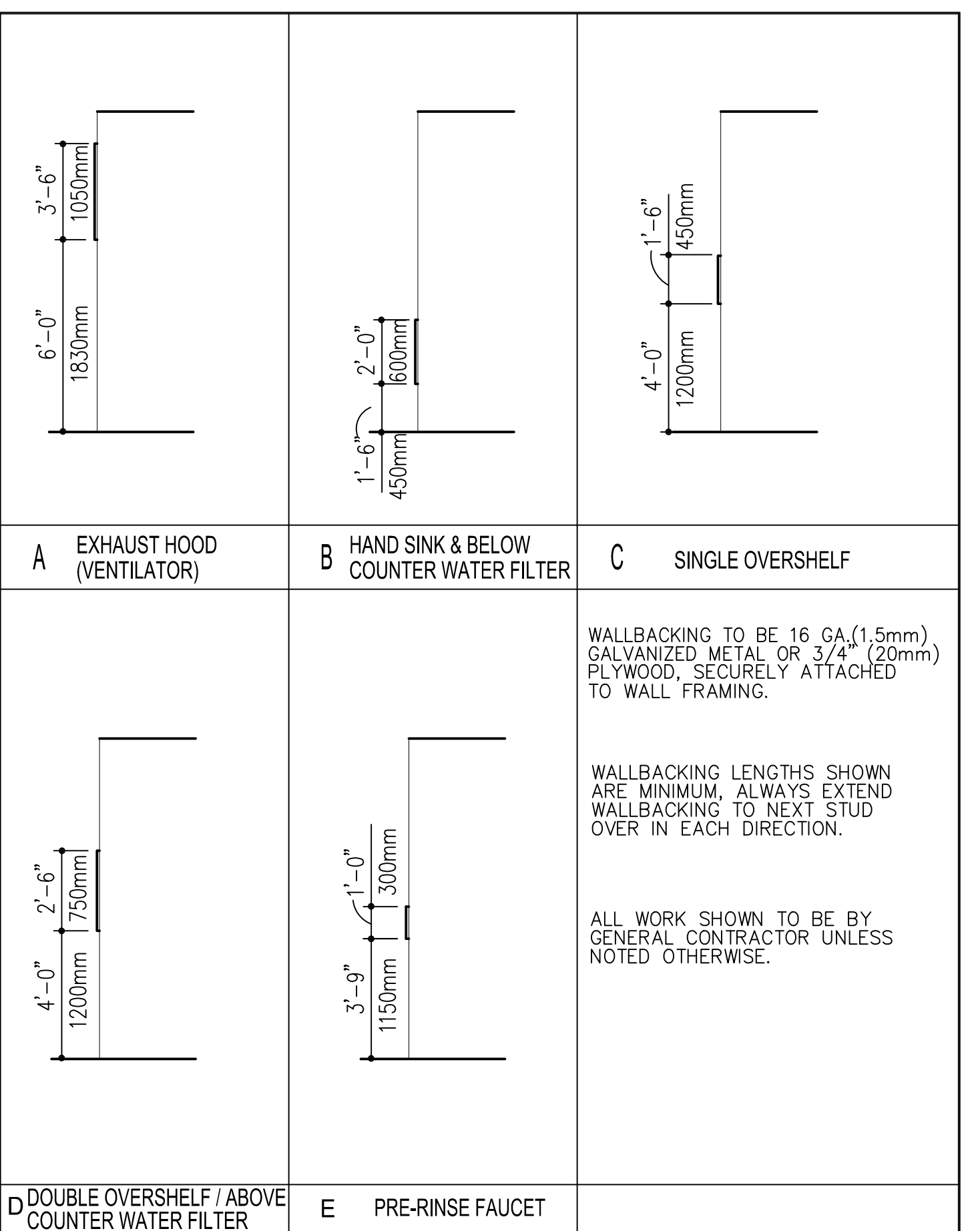
6.03 FLOOR GRATE AND PAN
NO SCALE
STANDARD DETAIL



7.01 BUILT-IN PRE-FABRICATED FLOOR USING WALK-IN PANELS
NO SCALE
STANDARD DETAIL
CONTINUED ON 7.01.1
SEE ALSO 7.01.1



7.01.1 BUILT-IN PRE-FABRICATED FLOOR USING WALK-IN PANELS
NO SCALE
STANDARD DETAIL
SEE ALSO 7.01



7.07 WALL BACKING DETAILS
NO SCALE
STANDARD DETAIL



ARCHITECT OF RECORD
DEMIONA KEMPER ARCHITECTS
 125 N. HALSTED STREET, SUITE 301
 CHICAGO, IL 60661
 P: 312.456.0000

STRUCTURAL AND MEP/FP ENGINEERING
KJWW ENGINEERING CONSULTANTS
 1100 WARRENVILLE RD. SUITE
 400W NAPERVILLE, IL 60563
 P: 630.527.2320

FOOD SERVICE CONSULTANT
CINI LITTLE INTERNATIONAL, INC.
 200 E. HOWARD AVE. SUITE 212
 DES PLAINES, IL 60018
 P: 847.238.0088

JOLIET JUNIOR COLLEGE
ROMEIOVILLE CAMPUS EXPANSION
 1125 135th ST. ROMEIOVILLE, IL 60446
 DKA PROJECT NO: 14-005

KEY PLAN:

SHEET STATUS: 9/21/15
ISSUE FOR CONSTRUCTION

NO.	DESCRIPTION:	DATE:

SHEET TITLE:
FOODSERVICE SPECIAL CONDITIONS PLAN

SHEET NUMBER:
QF104

AUG 10, 2015 12:20 PM C:\TEMP\ACAD\APPDATA\LOCAL\TEMP\ACADPUBLISH_3152\15-01013-0_0F101.DWG

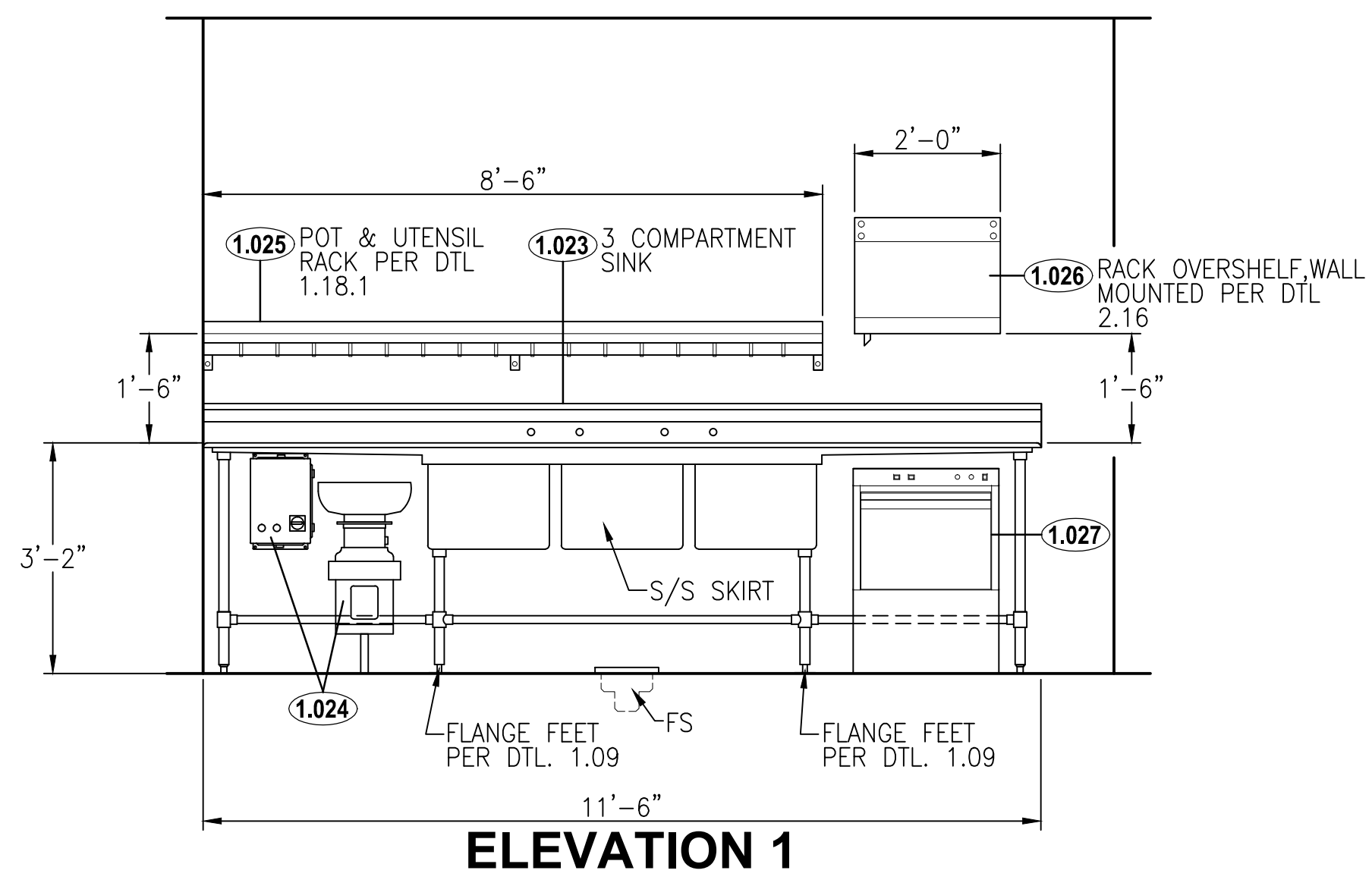


ARCHITECT OF RECORD
 DEMONICA KEMPER ARCHITECTS
 125 N. HALSTED STREET, SUITE 301
 CHICAGO, IL 60661
 P: 312.456.0000

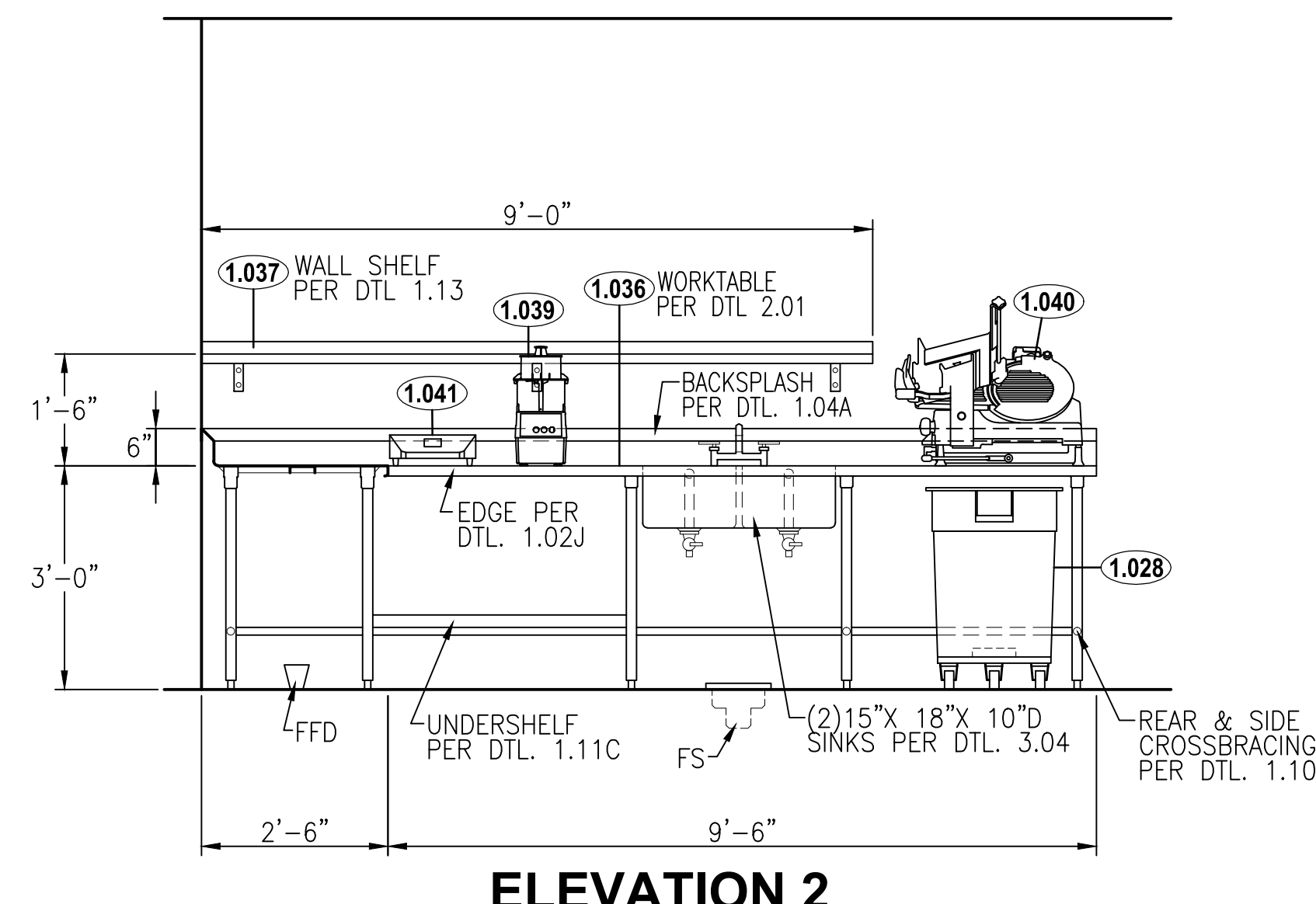
STRUCTURAL AND MEP/FP ENGINEERING
 KJWW ENGINEERING CONSULTANTS
 1100 WARRENVILLE RD, SUITE
 400W NAPERVILLE, IL 60563
 P: 630.527.2320

FOOD SERVICE CONSULTANT
 CINI LITTLE INTERNATIONAL, INC.
 200 E. HOWARD AVE, SUITE 212
 DES PLAINES, IL 60018
 P: 847.236.0088

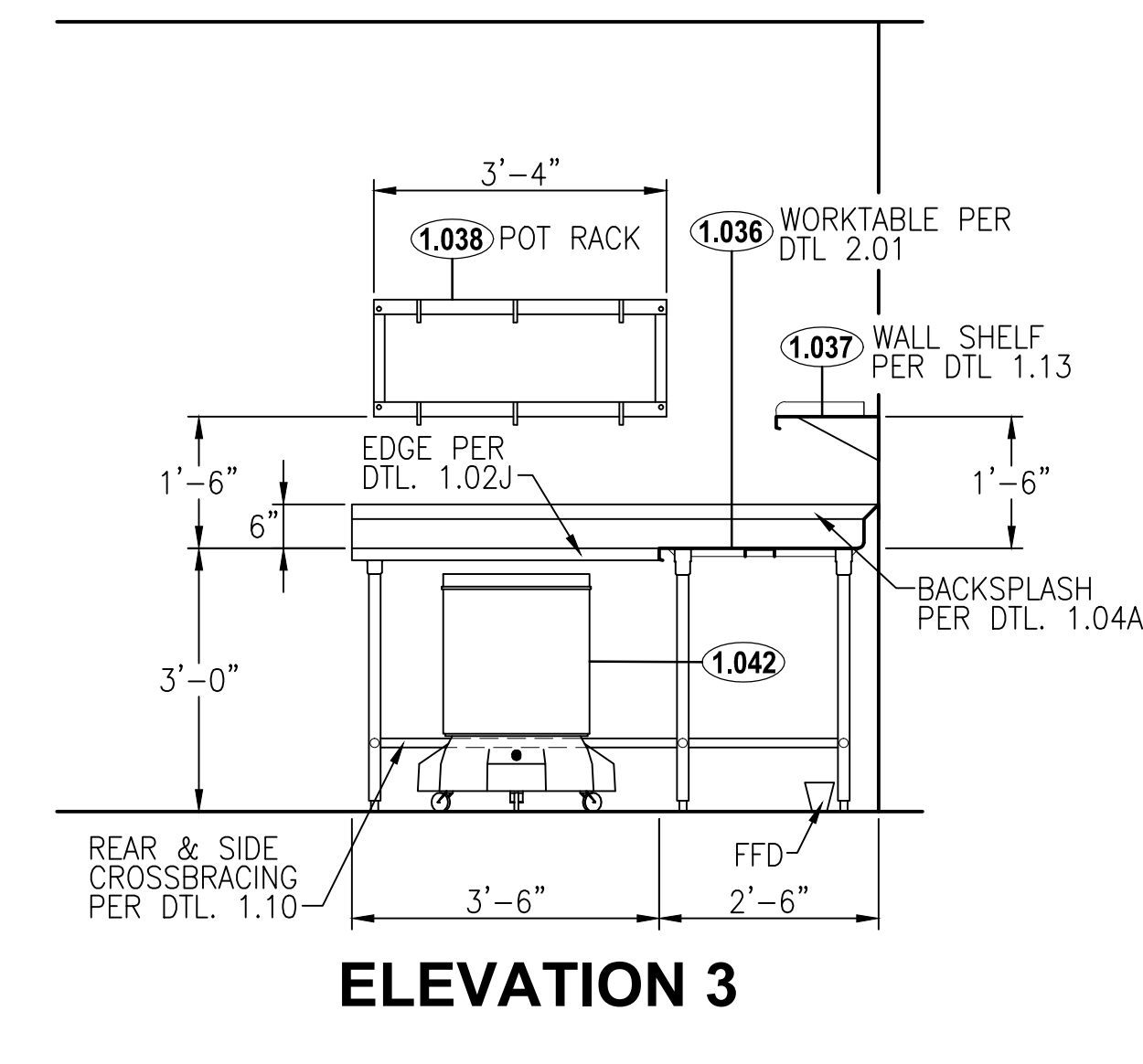
JOLIET JUNIOR COLLEGE
ROMEIOVILLE CAMPUS EXPANSION
 1125 135th ST. ROMEIOVILLE, IL 60446
 DKA PROJECT NO: 14-005



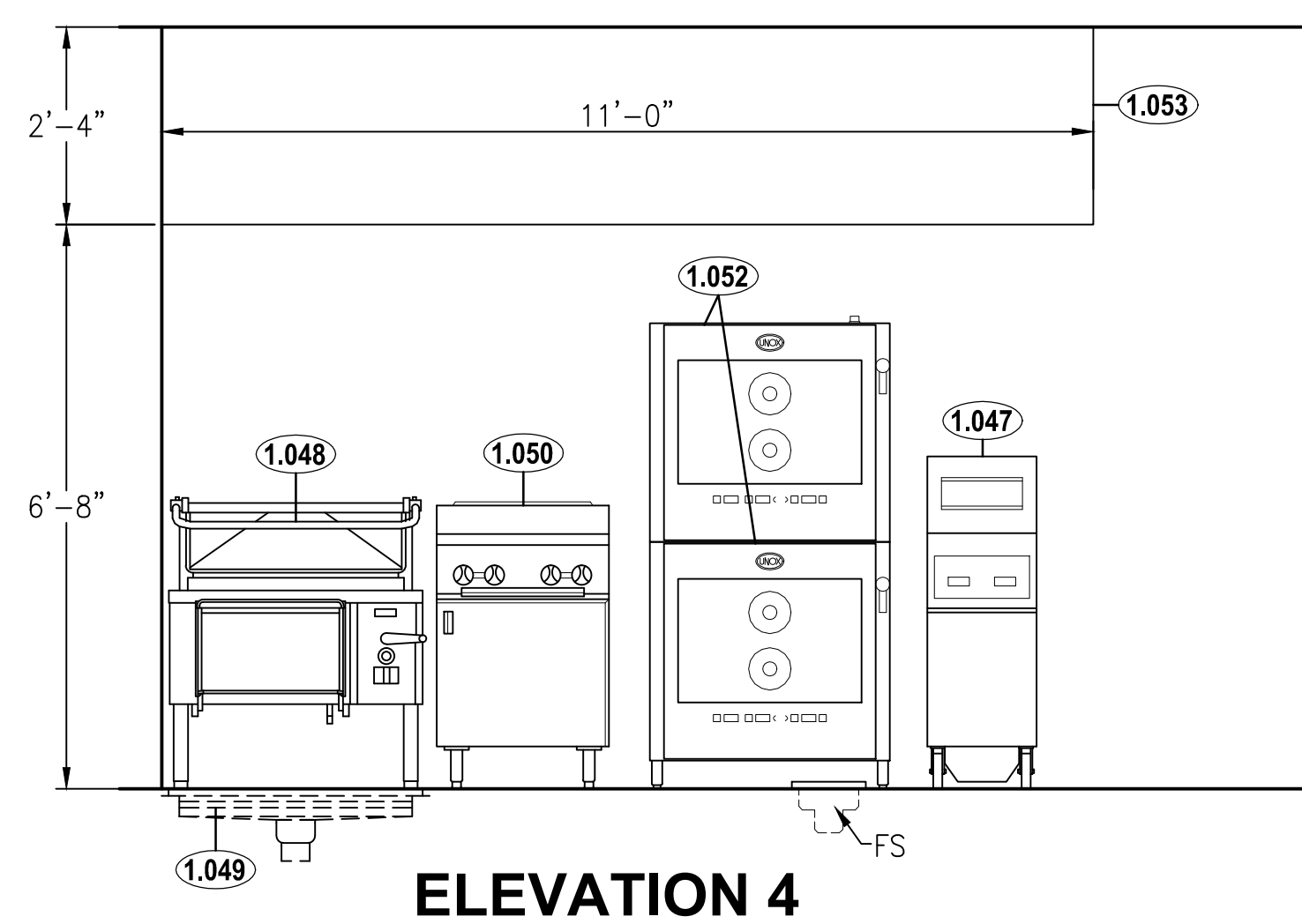
ELEVATION 1



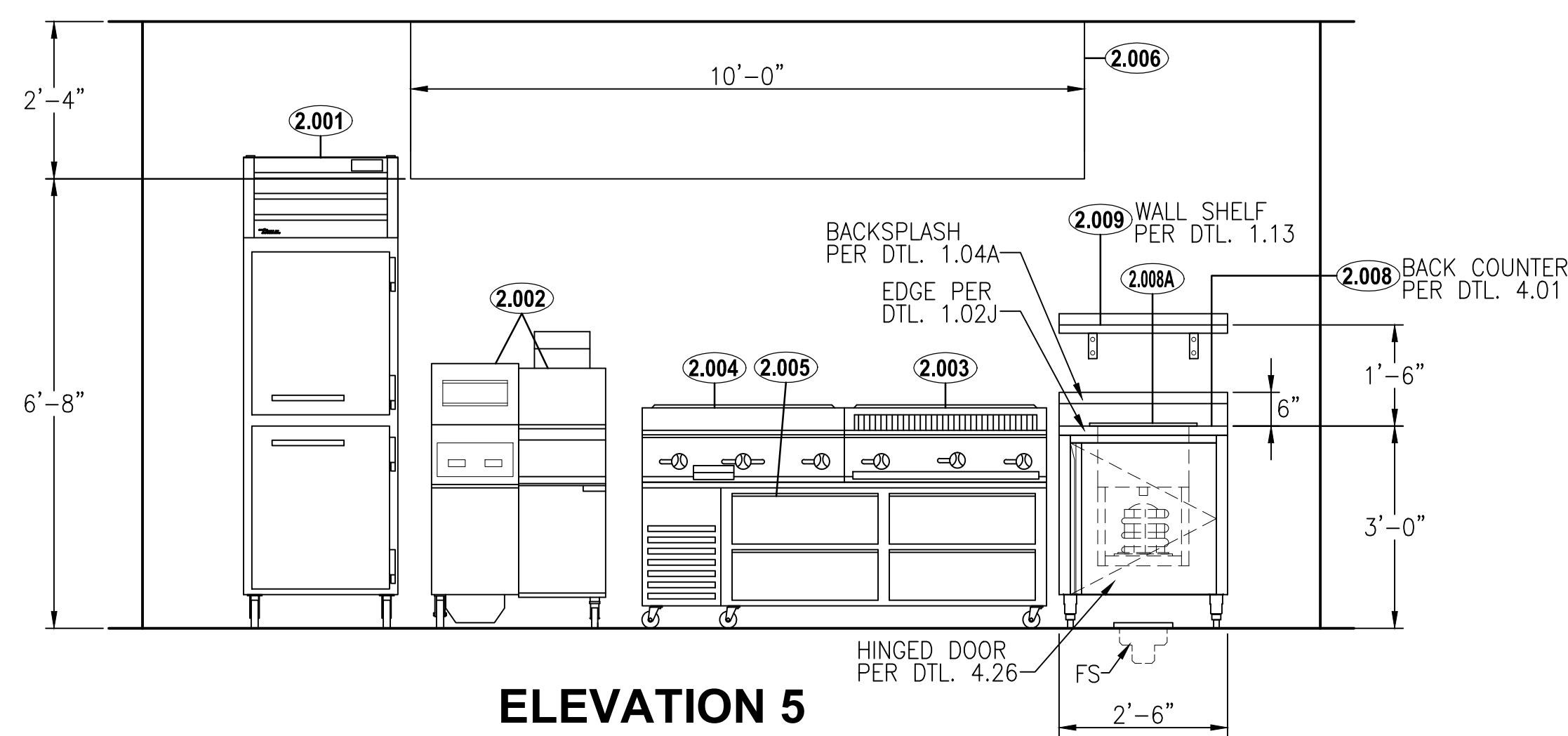
ELEVATION 2



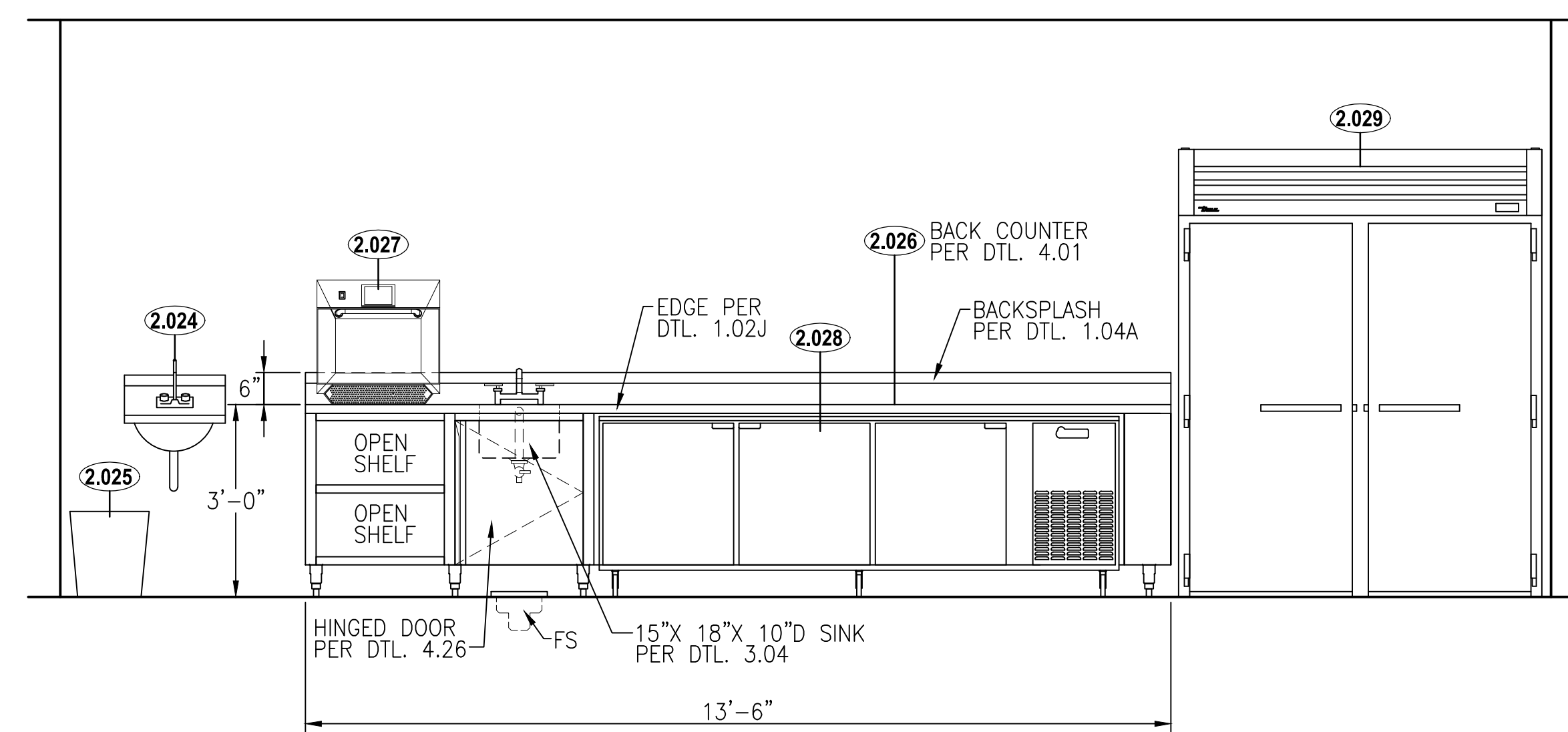
ELEVATION 3



ELEVATION 4



ELEVATION 5



ELEVATION 6

KEY PLAN:

SHEET STATUS: 9/21/15

ISSUE FOR CONSTRUCTION

NO.	DESCRIPTION:	DATE:

SHEET TITLE:
**FOODSERVICE
 EQUIPMENT
 ELEVATIONS**

SHEET NUMBER:

QF107